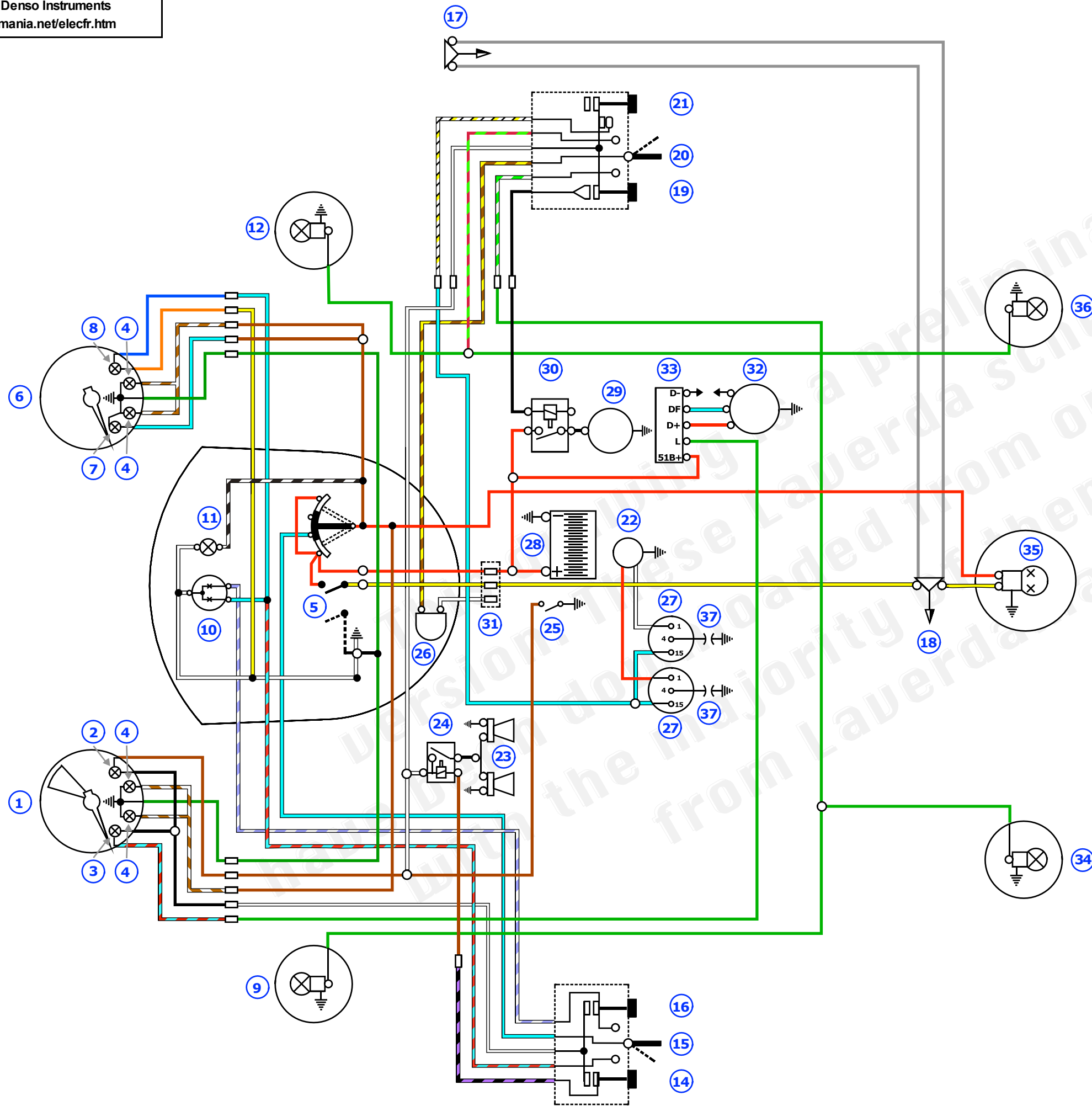


1970 Laverda 750 SF0

15 September 2023

Carl Allison

Bosch w/Nippon Denso Instruments
<http://www.laverdmania.net/elecfr.htm>



- 1: Tachometer
- 2: Neutral Light
- 3: Charge Light
- 4: Instrument Lighting
- 5: Key Switch
- 6: Speedometer
- 7: Headlight Indicator
- 8: High Beam Indicator
- 9: Left Front Indicator
- 10: Headlight Bulb
- 11: Parking Light Bulb
- 12: Right Front Indicator
- 13: Left Rear Indicator
- 14: Horn button
- 15: Low/High beam switch
- 16: High beam flash
- 17: Front stop Switch
- 18: Rear stop Switch
- 19: Starter button
- 20: Left/Right Turn signal switch
- 21: Engine Run/Stop
- 22: Points (2-arm)
- 23: Horns
- 24: Horn relay
- 25: Neutral Switch
- 26: Flasher
- 27: Ignition Coils
- 28: Battery 12V 24Ah
- 29: Starter
- 30: Starter Relay
- 31: Fuse Box
- 32: Generator
- 33: Regulator
- 34: Left Rear Indicator
- 35: tail light/Brake light
- 36: Right Rear Indicator
- 37: Spark Plugs