

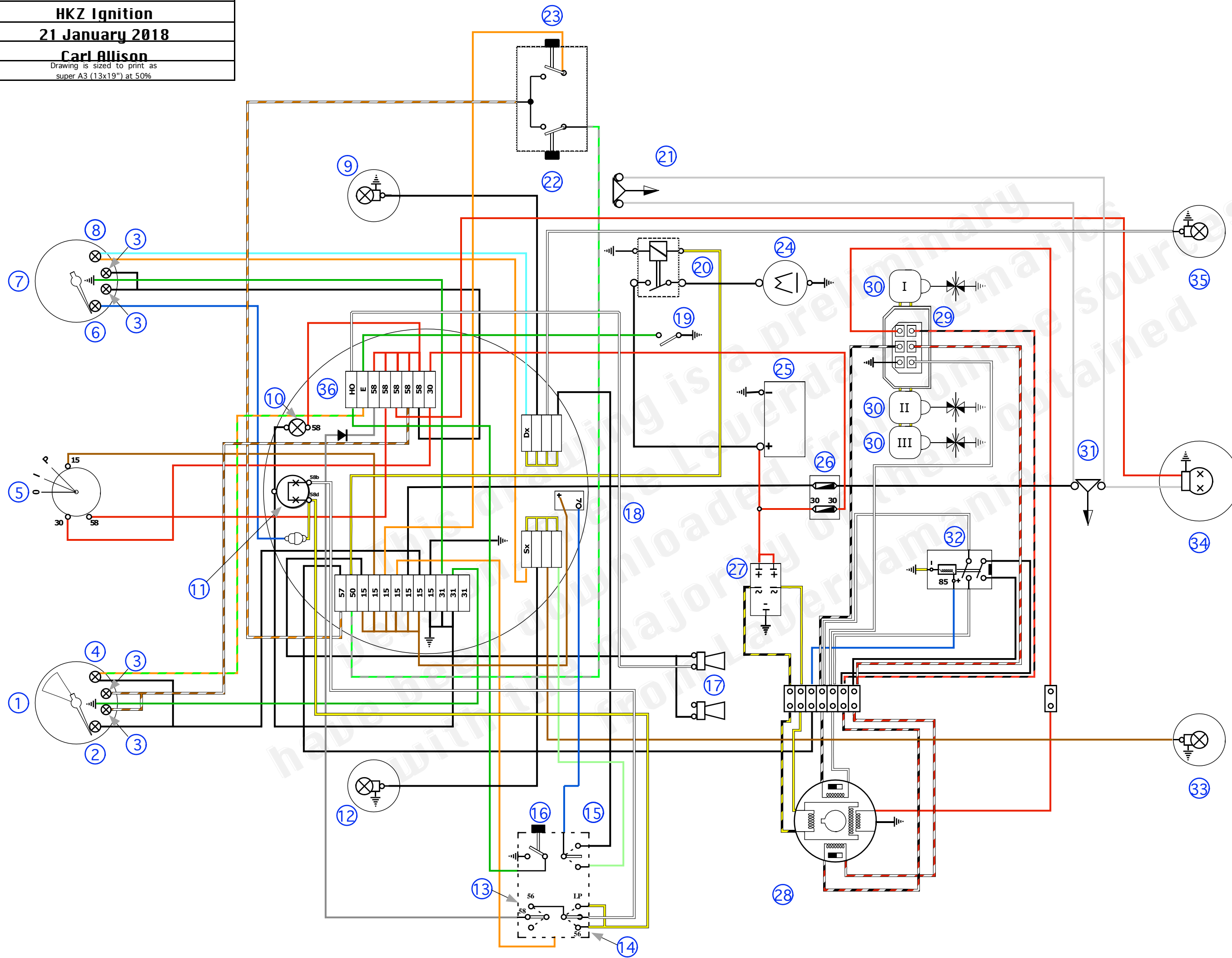
1976 Laverda 3CL 1200

HKZ Ignition

21 January 2018

Carl Allison

Drawing is sized to print as  
super A3 (13x19") at 50%



Circuit diagram

- 1. Tachometer/Revolution counter
- 2. Not connected
- 3. Instrument lighting
- 4. Neutral lamp (green)
- 5. Ignition lock O Off  
I ignition  
P stand
- 6. High beam control lamp
- 7. Speedometer
- 8. Warning light direction indicator (orange)
- 9. Direction indicators on the front right
- 10. Stand lamp
- 11. Headlamp for high and low beam
- 12. Direction indicators left front
- 13. Light switches
- 14. Dimmer switch
- 15. Switch direction indicator
- 16. Horn button
- 17. Signal horns
- 18. Flashers
- 19. Idle display switch
- 20. Starter relay
- 21. Front brake light switch
- 22. Starter push button
- 23. Engine stop switch
- 24. Starter motor
- 25. Battery
- 26. Fuses
- 27. Dancers
- 28. Alternator with ignition coils
- 29. Electronics housing BOSCH
- 30. Ignition coils
- 31. Rear brake light switch
- 32. Engine stop relays
- 33. Direction indicator rear left
- 34. Tail and brake light lamp
- 35. Direction indicators rear right
- 36. Diode