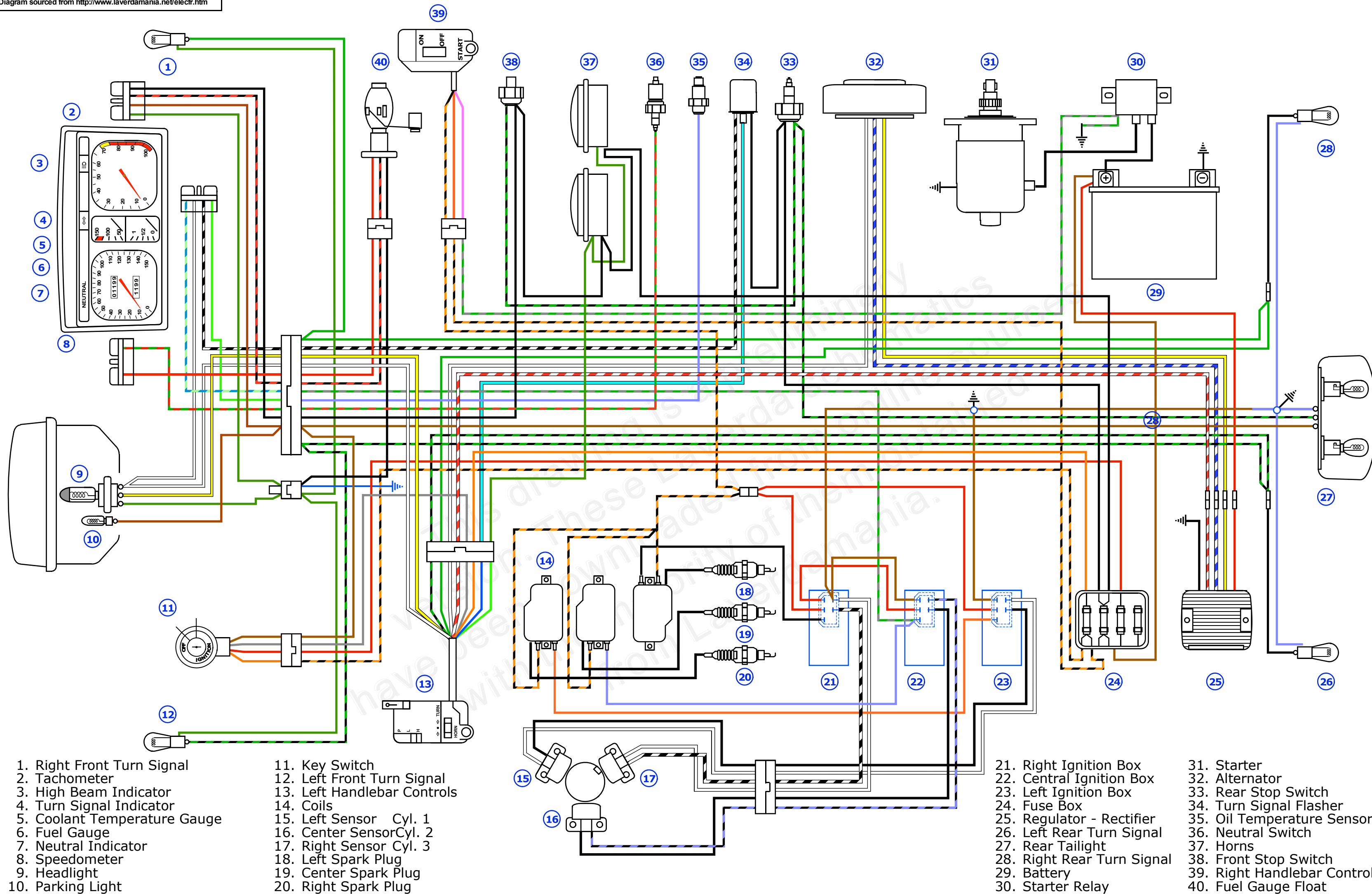


1981 Laverda 1000 RGS

24 February 2020

Carl Allison

Diagram sourced from <http://www.laverdamania.net/electr.htm>



- 1. Right Front Turn Signal
- 2. Tachometer
- 3. High Beam Indicator
- 4. Turn Signal Indicator
- 5. Coolant Temperature Gauge
- 6. Fuel Gauge
- 7. Neutral Indicator
- 8. Speedometer
- 9. Headlight
- 10. Parking Light

- 11. Key Switch
- 12. Left Front Turn Signal
- 13. Left Handlebar Controls
- 14. Coils
- 15. Left Sensor Cyl. 1
- 16. Center Sensor Cyl. 2
- 17. Right Sensor Cyl. 3
- 18. Left Spark Plug
- 19. Center Spark Plug
- 20. Right Spark Plug

- 21. Right Ignition Box
- 22. Central Ignition Box
- 23. Left Ignition Box
- 24. Fuse Box
- 25. Regulator - Rectifier
- 26. Left Rear Turn Signal
- 27. Rear Tailight
- 28. Right Rear Turn Signal
- 29. Battery
- 30. Starter Relay

- 31. Starter
- 32. Alternator
- 33. Rear Stop Switch
- 34. Turn Signal Flasher
- 35. Oil Temperature Sensor
- 36. Neutral Switch
- 37. Horns
- 38. Front Stop Switch
- 39. Right Handlebar Controls
- 40. Fuel Gauge Float