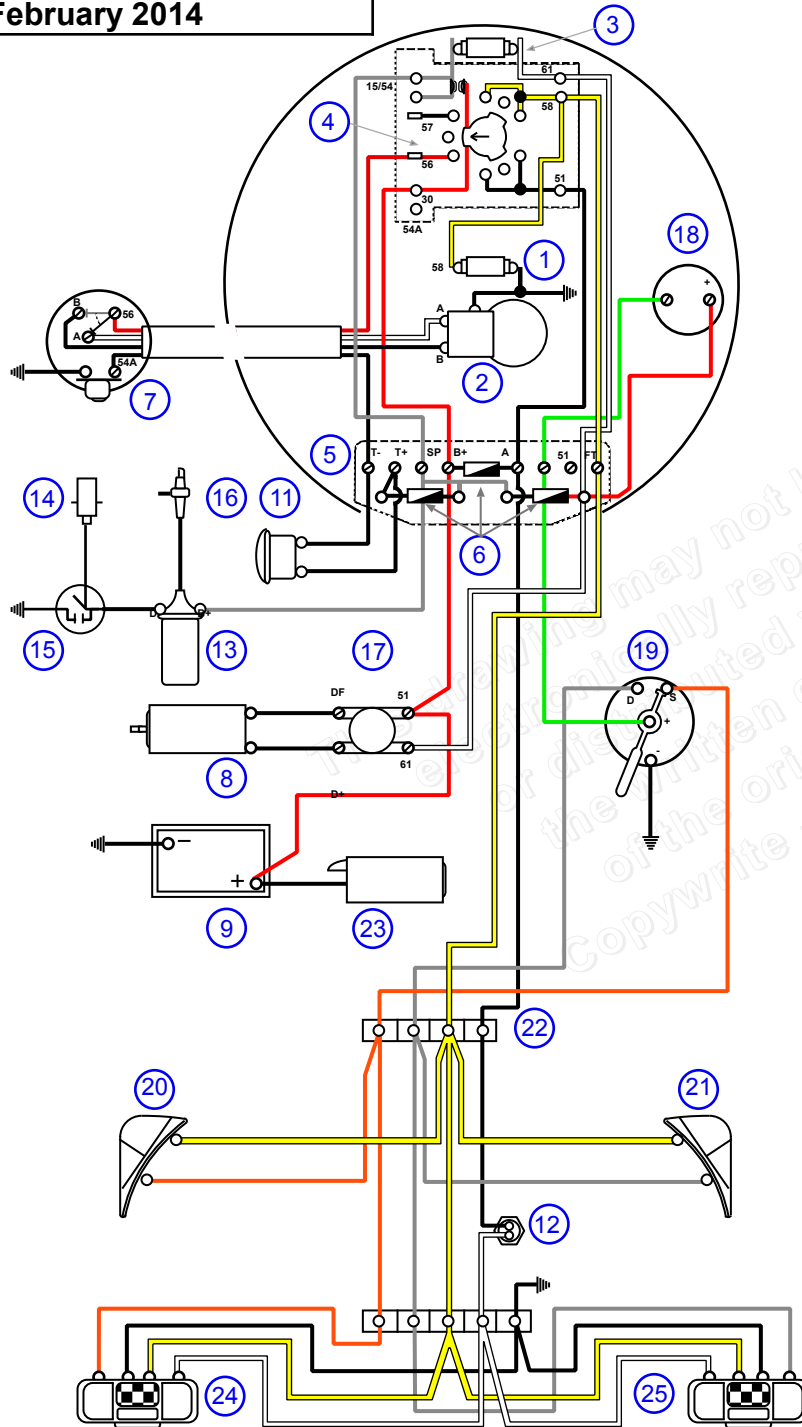


1955 Ercole

16 February 2014



Legend

- 1. City light 12V 5W
- 2. Headlight 12V 35/35W
- 3. Charge indicator 12V 1.5W
- 4. Ignition switch
- 5. Terminal block multiple ways
- 6. Fuses
- 7. Hi/Low beam switch and horn button
- 8. Dynamo/Starter 75W
- 9. Battery
- 10. Front terminal block
- 11. Horn
- 12. Brake light switch
- 13. Ignition coil
- 14. Condenser
- 15. Points
- 16. Spark plug
- 17. Regulator
- 18. Flasher
- 19. Turn signal switch
- 20. Left turn indicator 12V - 3W
- 21. Right turn indicator 12V - 3W
- 22. Rear terminal block
- 23. Starter motor
- 24. Left rear left turn indicator, brake light and running light 12V - 15W
- 25. Right rear turn indicator, brake light and running light 12V - 15W
- 26. Rear terminal block

Taillights variant for the Ercole

