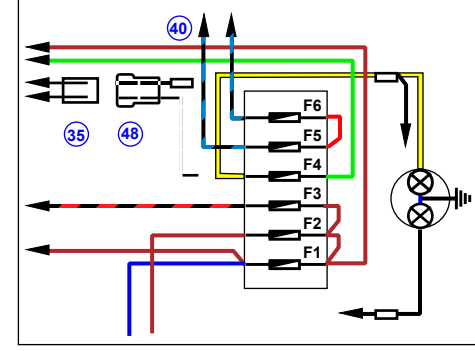
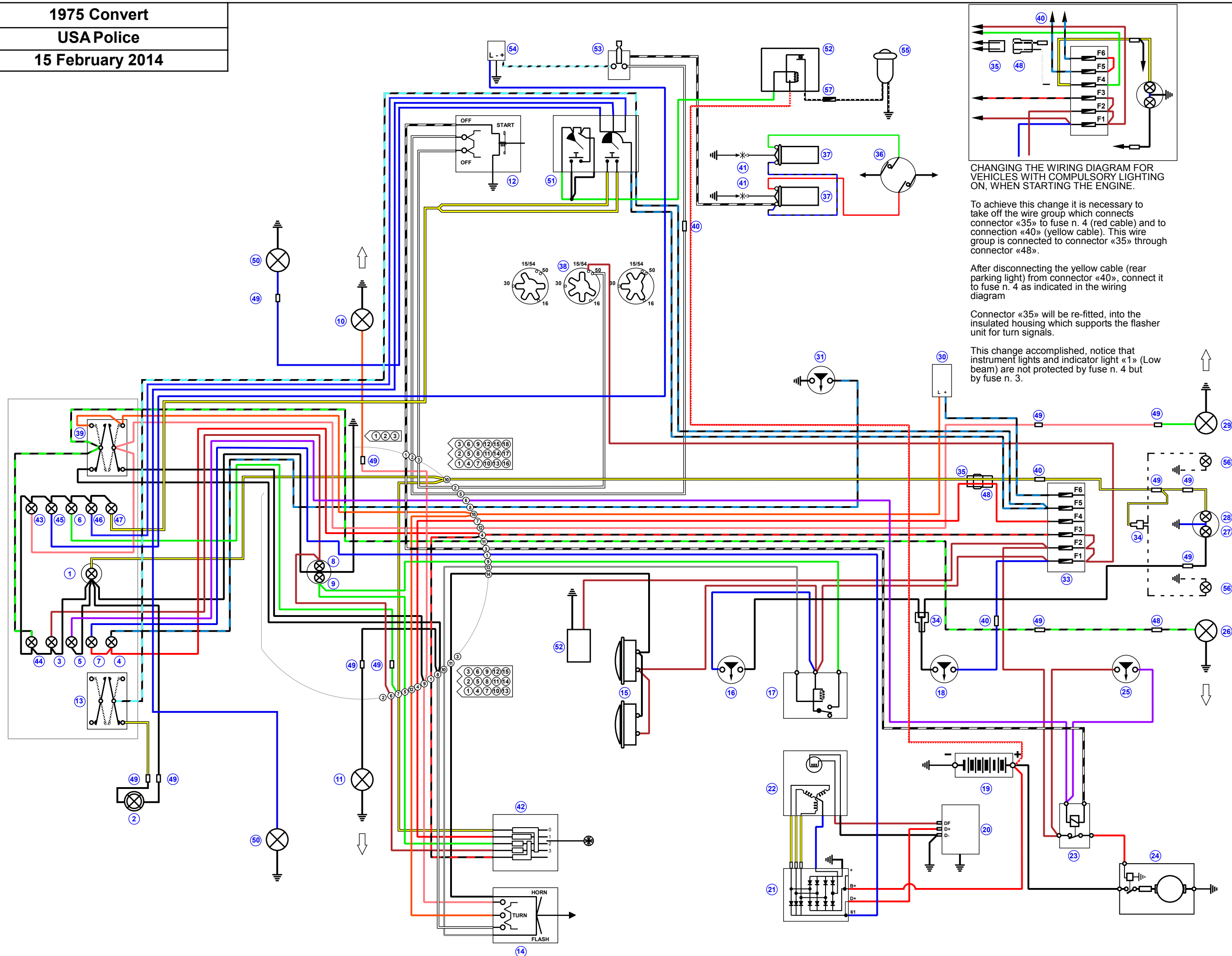


1975 Convert  
 USA Police  
 15 February 2014



CHANGING THE WIRING DIAGRAM FOR VEHICLES WITH COMPULSORY LIGHTING ON, WHEN STARTING THE ENGINE.

To achieve this change it is necessary to take off the wire group which connects connector «35» to fuse n. 4 (red cable) and to connection «40» (yellow cable). This wire group is connected to connector «35» through connector «48».

After disconnecting the yellow cable (rear parking light) from connector «40», connect it to fuse n. 4 as indicated in the wiring diagram

Connector «35» will be re-fitted, into the insulated housing which supports the flasher unit for turn signals.

This change accomplished, notice that instrument lights and indicator light «1» (Low beam) are not protected by fuse n. 4 but by fuse n. 3.

- |   |                 |
|---|-----------------|
| 1. Speedometer  | (3 W)           |
| 2. Auxiliary light  | (5 W)           |
| 3. High beam warning light  | « H » (1.2 W)   |
| 4. Oil pressure warning light   | « Oil » (1.2 W) |
| 5. Neutral position warning light   | « N » (1.2 W)   |
| 6. Town driving warning light   | « L » (1.2 W)   |
| 7. Generator charge warning light   | « Gen » (1.2 W) |
| 8. Headlight low beam   | (40 W)          |
| 9. Headlight high beam  | (45 W)          |
| 10. R/H front turn signal   | (21 W)          |
| 11. L/H front turn signal   | (21 W)          |
| 12. Engine run/stop and start switch  |                 |
| 13. Additional light switch   |                 |
| 14. Control switch: turn signals, lights, horn and flashing lights                      |                 |
| 15. Horns (Consumption: 7A)   |                 |
| 16. Front brake switch  |                 |
| 17. High beam flash relay   |                 |
| 18. Rear brake switch   |                 |
| 19. Battery   |                 |
| 20. Regulator   |                 |
| 21. Rectifier   |                 |
| 22. Alternator  |                 |
| 23. Starter motor relay   |                 |
| 24. Starter motor   |                 |
| 25. Switch on clutch control cable  |                 |
| 26. L/H rear turn signal  | (21W)           |
| 27. Taillight and stop light  | (5/21 W)        |
| 28. License plate light   | (5 W)           |
| 29. R/H rear turn signal  | (21W)           |
| 30. Turn signal flasher flasher   |                 |
| 31. Oil pressure switch (crankcase)   |                 |
| 32.   |                 |
| 33. Fuse holder (16A fuses)   |                 |
| 34. 3 say connector   |                 |
| 35. 4 way connector (Amp)   |                 |
| 36. Points  |                 |
| 37. Ignition coils  |                 |
| 38. Ignition switch (3 position)  |                 |
| 39. Switch actuating rear turn indicator lights flashing                                |                 |
| 40. 2 way connector   |                 |
| 41. Spark plugs   |                 |
| 42. Light switch with travel limit « High/Low beam » to position « Town driving light » |                 |
| 43. R/H turn signal indicator   | (1.2 W)         |
| 44. L/H turn signal indicator   | (1.2 W)         |
| 45. Warning light « Side stand » in position « park »                                   | (1.2 W)         |
| 46. Brake fluid level warning light « Brake »   | (1.2 W)         |
| 47. Fuel level warning light « Fuel »   | (1.2 W)         |
| 48. 4 way connector (Amp)   |                 |
| 49. Connection  |                 |
| 50. Red pursuit lights (front)  | (35 W)          |
| 51. Control: pursuit lights (front) radio, siren  |                 |
| 52. Siren relay   |                 |
| 53. Coil control device   |                 |
| 54. Control device for side stand warning light   |                 |
| 55. Siren   | (90 W)          |
| 56. Rear blue lights  | (5 W)           |
| 57. Spare fuse  |                 |