
SEIMM

SOCIETA' ESERCIZIO INDUSTRIE MOTOMECCANICHE S.p.A.
Capitale L. 2.000.000.000 interamente versato
Sede legale: Milano

Direzione e Stabilimenti: 22054 Mandello del Lario (Co)
Telefoni: 71112 e 72512 (8 linee urbane)
Telegrammi: SEIMM MANDELLOLARIO
Telex: 38095 SEIMM



MOTO GUZZI

C.C.I.A. Milano n° 722044 - Como n° 117437 ■ C.C. Postale Como n° 18/4226 ■ Posizione Commercio Estero M 986753



SPARE PARTS CATALOGUE

OCTOBER 1970 - II EDI

CONDITIONS OF SALE

- SALES** — All spare parts supplies are subject to goods availability at the time the order is received.
- PRICES** — All prices appearing in the official price list are net ex-factory prices. Any tax or charge inherent to the buying and selling transaction shall be entirely on the buyers.
- DELIVERY AND SHIPMENT** — Moto Guzzi shall not be held liable for any delayed delivery. Any indicated time is only informative and not binding. All goods travel at buyers' risk, including C.O.D. deliveries.
- DISTRIBUTORS** — Any order obtained by the Distributor shall not be binding on Moto Guzzi who reserves the right to decide its execution or not.
- CLAIMS** — Any claim for parts received in a damaged condition, not corresponding to the order, or short supplied is to be made within 8 days from the receipt of such parts.
- LIABILITY** — Moto Guzzi shall not be held responsible for any damages to persons or property arising out from the use of its products, even if such damages be caused by structural or machining defects of the material supplied.

HOW TO ORDER

All orders should contain the following information:

- Transport means required
- Engine number of machine
- Description of part and part number
- Quantity.

Original Moto Guzzi parts are stamped with the registered trade mark and may be obtained from the general distributors or officially appointed Moto Guzzi dealers.

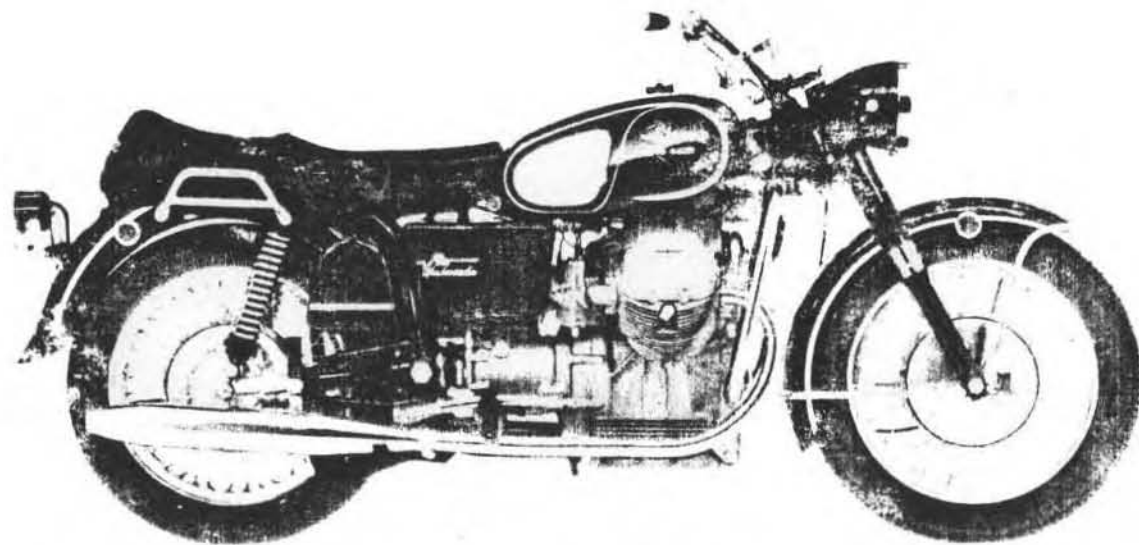


Fig. 1 - Right view

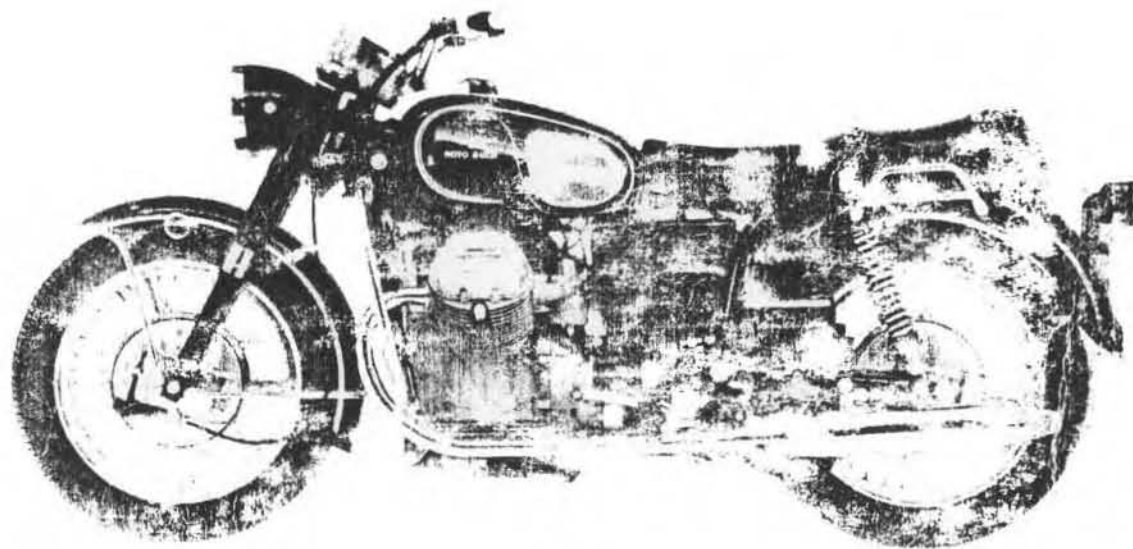


Fig. 2 - Left view

MOTO GUZZI

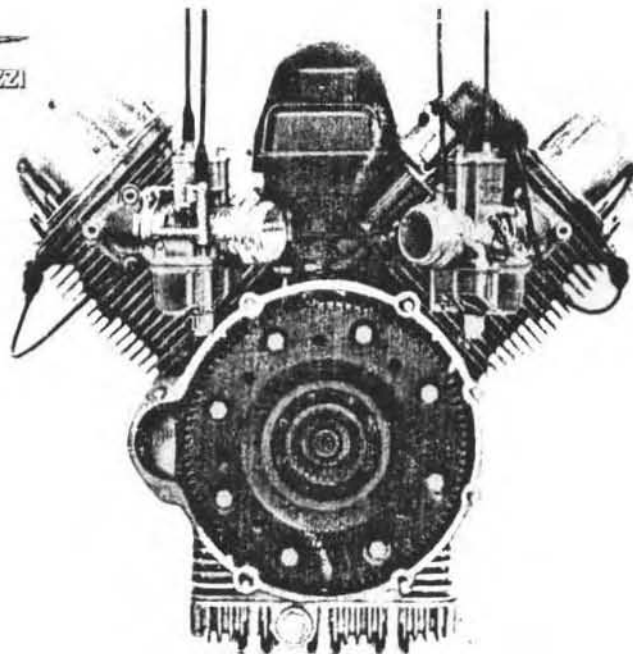


Fig. 3 - Engine

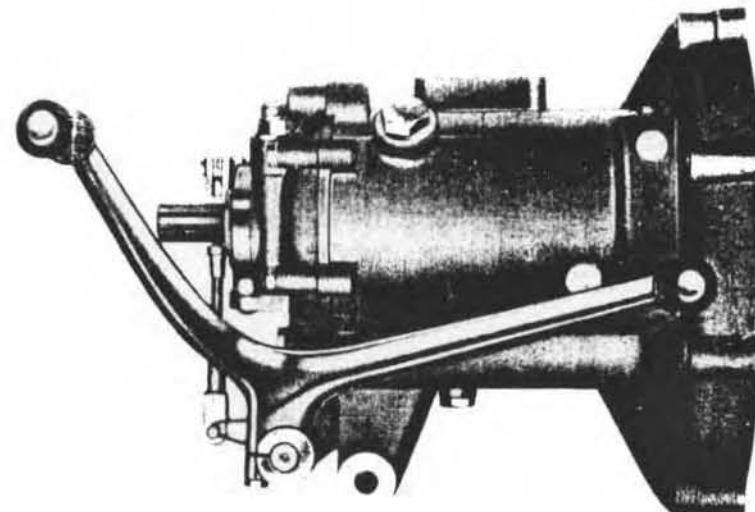
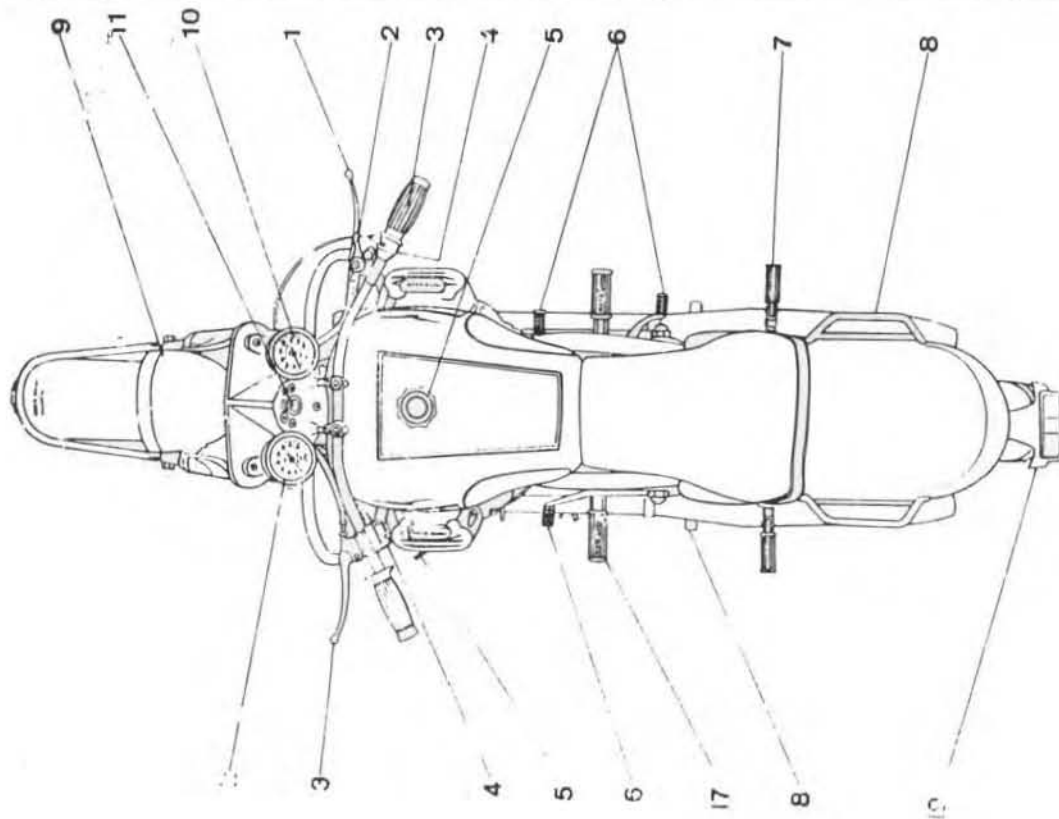


Fig. 4 - Gearbox



CONTROLS AND ACCESSORIES

1. Front brake lever
2. Air control lever
3. Throttle control grip
4. Starter button
5. Filler cap
6. Gearshift lever
7. Pillion footrests
8. Pillion handgrip
9. Headlight
10. Speedometer
11. Ignition key
12. Rev-counter
13. Clutch lever
14. Light switch and horn button
15. Side stand
16. Rear brake pedal
17. Footrests
18. Center stand
19. Tail light

The machine can also be supplied with gearshift lever on the left and rear brake pedal on the right.

N.B. - The terms « right » and « left » in the text are used in the sense they would appear to one sitting in the saddle.

MAIN FEATURES

ENGINE

Cycle	: 4 strokes
Number of cylinders:	2
Cylinder disposition:	« V » 90°
Bore	: 83 mm. (3.26")
Stroke	: 70 mm. (2.75")
Displacement	: 757.486 cc. (46.21 cu.in.)
Compression ratio	: 9 to 1
Revs at maximum engine speed	: 6500 r.p.m.
Output at maximum engine speed	: 60 HP SAE
Crankcase	: in light alloy
Cylinders	: in light alloy with hard chromed barrels
Cylinder heads	: in light alloy, hemispherical, with special cast iron inserted seats
Crankshaft	: steel construction
Crankshaft supports:	in anti-friction material pressed in 2 suitable housings (as used in all F1 race cars)
Connecting rods	: steel construction with AL-TIN alloy thin wall bearings
Pistons	: in light alloy.

Valve gear

O.H.V., push rod operated via the camshaft in the crankcase and gear driven by the crankshaft.

Inlet:

- opens 24° before TDC
- closes 58° after BCD

Exhaust:

- opens 58° after BDC
- closes 22° after TDC

Rocker clearance for valve timing:

- 0.5 mm. (.0196")

Normal rocker clearance (cold engine)

- inlet 0.15 mm. (.0059")
- exhaust 0.25 mm. (.0098")

Carburation

2 Dell'Orto carburetors type VHB 29 CD (right) and VHB 29 CS (left) both gravity fed from the tank.

Standard carburetor setting

— Choke	: 29 mm.
— Throttle slide	: 60
— Atomizer	: 265
— Main jet	: 145
— Pilot jet	: 45
— Starter atomizer	: 80

With needle SV5 second notch from top: idling screw open 1½ to 2 turns for the left carburetor and 2 - 2½ turns for the right carburetor.

Air intake provided with dry filter.

Lubrication

Pressure, by gear pump driven by the crankshaft.

Oil strainer in crankcase.

Normal lubrication pressure 3.8 - 4.2 kgs/sq.cm. (54 to 60 lbs sq.in.) controlled by relief valve.

Electrically controlled oil pressure gauge.

Cooling

By air. Cylinder and cylinder head deeply finned.

Ignition

By battery with automatic advance distributor.

Initial advance: 10°.

Automatic advance: 28°.

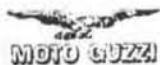
Ignition timing 38° full advance.

Contact breaker gap: 0.42-0.48 mm. (.016 - .018").

Spark plug: n. 225 in Bosch-Marelli scale or equivalent.

Plugs point gap: 0.6 mm. (.023").

Ignition coil.



MAIN FEATURES

Starting	Electric starter with electromagnetic ratchet control. Ring gear bolted on flywheel. Operated by starter button.	Tires	4.00 x 18 front and rear, block type (high speed).																								
Exhaust system	Dual exhaust pipes and mufflers.	Tire pressure	<table border="0" style="margin-left: 20px;"> <tr> <td style="padding-right: 10px;">Front tire: solo</td> <td rowspan="2" style="font-size: 2em; vertical-align: middle;">}</td> <td rowspan="2" style="vertical-align: middle;">1.5 kgs/sq.cm. = 21 p.s.i.</td> </tr> <tr> <td style="padding-right: 10px;">with passenger</td> </tr> <tr> <td style="padding-right: 10px;">Rear tire: solo</td> <td rowspan="2" style="font-size: 2em; vertical-align: middle;">}</td> <td rowspan="2" style="vertical-align: middle;">1.8 kgs/sq.cm. = 25 p.s.i.</td> </tr> <tr> <td style="padding-right: 10px;">with passenger</td> <td style="vertical-align: middle;">2.0 kgs/sq.cm. = 28 p.s.i.</td> </tr> </table>	Front tire: solo	}	1.5 kgs/sq.cm. = 21 p.s.i.	with passenger	Rear tire: solo	}	1.8 kgs/sq.cm. = 25 p.s.i.	with passenger	2.0 kgs/sq.cm. = 28 p.s.i.															
Front tire: solo	}	1.5 kgs/sq.cm. = 21 p.s.i.																									
with passenger																											
Rear tire: solo	}	1.8 kgs/sq.cm. = 25 p.s.i.																									
with passenger			2.0 kgs/sq.cm. = 28 p.s.i.																								
TRANSMISSION		Note - The above recommendation is for normal riding (cruising speed). If using the machine at constant high speed or on motorways, the above pressure should be increased by 0.2 kgs/sq.cm. (2.8 p.s.i.).																									
Clutch	Twin driven plates, dry type, located on the flywheel. Controlled by lever on left handlebar.	Brakes	<p>Twin leading shoes front brake operated by hand lever on the right handlebar.</p> <p>Large rear brake operated on left hand side of machine.</p>																								
Gear box	<p>Four speeds, frontal engagement. Constant mesh gears.</p> <p>Cush drive incorporated.</p> <p>Separate case bolted on crankcase, operated by rocker pedal on the right side of the machine.</p> <p>Engine gear-box ratio 1 to 1.375 (16-22)</p> <p>Internal gear ratios:</p> <p>— Low gear 1 to 2.230 (13-29)</p> <p>— Second gear 1 to 1.333 (18-24)</p> <p>— Third gear 1 to 0.954 (22-21)</p> <p>— High gear 1 to 0.750 (24-18)</p>	Overall dimensions and weight	<table border="0" style="margin-left: 20px;"> <tr> <td style="padding-right: 10px;">— Wheelbase</td> <td style="padding-right: 10px;">1.470 mts.</td> <td style="padding-right: 10px;">(about</td> <td>57.8"</td> </tr> <tr> <td style="padding-right: 10px;">— Length</td> <td style="padding-right: 10px;">2.245 "</td> <td style="padding-right: 10px;">("</td> <td>88.3"</td> </tr> <tr> <td style="padding-right: 10px;">— Width</td> <td style="padding-right: 10px;">0.830 "</td> <td style="padding-right: 10px;">("</td> <td>32.6"</td> </tr> <tr> <td style="padding-right: 10px;">— Height (dry)</td> <td style="padding-right: 10px;">1.070 "</td> <td style="padding-right: 10px;">("</td> <td>42.1"</td> </tr> <tr> <td style="padding-right: 10px;">— Minimum ground clearance</td> <td style="padding-right: 10px;">0.150 "</td> <td style="padding-right: 10px;">("</td> <td>5.9"</td> </tr> <tr> <td style="padding-right: 10px;">— Curb weight</td> <td style="padding-right: 10px;">228 kgs.</td> <td style="padding-right: 10px;">("</td> <td>502 lbs.)</td> </tr> </table>	— Wheelbase	1.470 mts.	(about	57.8"	— Length	2.245 "	("	88.3"	— Width	0.830 "	("	32.6"	— Height (dry)	1.070 "	("	42.1"	— Minimum ground clearance	0.150 "	("	5.9"	— Curb weight	228 kgs.	("	502 lbs.)
— Wheelbase	1.470 mts.	(about	57.8"																								
— Length	2.245 "	("	88.3"																								
— Width	0.830 "	("	32.6"																								
— Height (dry)	1.070 "	("	42.1"																								
— Minimum ground clearance	0.150 "	("	5.9"																								
— Curb weight	228 kgs.	("	502 lbs.)																								
Secondary drive	<p>By constant speed double joint cardan shaft.</p> <p>Layshaft bevel gears- rear wheel ratio: 4.375 (8-35).</p> <p>Overall gear ratios:</p> <p>— Low gear 1 to 11,628</p> <p>— Second gear 1 to 7,597</p> <p>— Third gear 1 to 5,738</p> <p>— High gear 1 to 5,511</p> <p>(The machine is optionally supplied with L/H gearshift lever).</p>	Performance	<p>Maximum permissible speeds and gradients climbable in each gear, solo riding.</p> <p>Low gear : 62 kms/h (38.5 m.p.h.) climbing ability: 60%</p> <p>Second gear : 104.250 kms/h (64.6 m.p.h.) climbing ability: 40%</p> <p>Third gear : 145.250 kms/h (89.2 m.p.h.) climbing ability: 20%</p> <p>High gear : 185.276 kms/h (115 m.p.h.) climbing ability: 8%</p>																								
Frame	Duplex cradle, tubular structure.	Consumption	Measured according to CUNA standards.																								
Suspension	<p>Telescopic front fork incorporating hydraulic dampers.</p> <p>Rear swinging fork with externally adjustable springs.</p>	Fuel and oil capacities	<p>Fuel tank: 22.5 liters (5.84 US gls.) including about 4 liters reserve (about 1 US gl.) - Petrol 98 NO (Regular octane) - Sump 3 liters (3 1/4 quarts) Shell X 100 SAE 20 W/30 (Winter); Shell X 100 SAE 40 W/50 (Summer) - Transmission 0.750 liters (1 3/4 pints) Shell Spirax 90 E.P. - Rear wheel drive 0.300 liters (5/8 pints) Shell Spirax 90 E.P. - Front fork dampers 0.160 liters = 5.4 oz US Shell Tellux 33.</p>																								
Wheels	18 x 3 rims, front and rear.																										

INDEX TO PLATES

MODEL	MAIN GROUP	SUB-ASSEMBLY	PLATE No.
V-7 twin	ENGINE	Cylinders - Cylinder heads - Rocker boxes - Rocker assemblies - Valves	1
		Crankcase and covers	2
		Crankshaft - Connecting rods - Pistons - Timing gears	3
		Oil pump - Oil lines - Filter - Breather unit - Oil pressure solenoid	4
		Fuel tank - Exhaust pipes - Mufflers	5
		Carburetor - Control cables - Air cleaner	6
	PRIMARY DRIVE	Clutch and controls	7
		Gear box and covers	8
		Gear box - Shafts - Controls	9
	REAR WHEEL DRIVE	Rear fork - Drive box - Drive shaft and bevel gears	10
	FRAME	Frame - Center stand - Side stand - Footrest pivot - Pillion footrests - Rear fender	11
	FRONT SUSPENSION STEERING	Steering - Front fork - Front fender	12
	STEERING	Handlebar and controls	13
	INSTRUMENT PANEL	Speedometer and rev-counter	14
	WHEELS BRAKES	Front wheel - Wheel hub - Front brake and controls	15
		Rear wheel - Hub - Rear brake and controls	16
	ELECTRICAL EQUIPMENT	Ignition and lighting	17
		Headlight - Battery - Horn - Taillight - Cables	18
	TOOLS	Tool kit - gasket set - seal set	19
ELECTRICAL EQUIPMENT BREAKDOWN	Head and tail lights	1/A	
	Starter motor	2/A	
	Distributor	3/A	
	Generator	4/A	
STANDARD ACCESSORIES	Saddle bags	5/A	
	Fairing - Windscreen	6/A	



NUMERICAL INDEX

Order No.	Plate No.	Figure No.	Order No.	Plate No.	Figure No.	Order No.	Plate No.	Figure No.	Order No.	Plate No.	Figure No.	Order No.	Plate No.	Figure No.	Order No.	Plate No.	Figure No.
09905100	19	21	12034001	7	22	12113600	6	61	12207700	8	33	12352600	10	40	12490221	12	10
10744900	14	22	12034800	1	25	12114301	6	67	12210502	9	36	12352900	10	41	12492300	12	18
10744902	14	23	12038100	1	17	12114401	6	11	12210701	9	53	12355100	10	42	12492700	12	17
10900600	19	12	12045001	3	44	12115002	1	51	12211000	9	37	12355202	10	43	12493001	12	16
11500700	13	34	12045800	3	43	12115003	1	51	12211101	9	60	12355203			12494180	12	22
12001200	2	29	12045801			12115503	1	52	12211200	9	59	12355301	10	44	12494201	12	24
12001400	2	24	12045802			12117001	6	23	12211700	9	56	12355302			12494500	12	20
12001600	2	30	12053302	3	39	12117501	6	24	12213600	9	38	12355303			12496121	12	30
12003500	2	34	12054000	3	40	12118000	13	28	12214002	9	43	12355400	10	50	12496221	12	31
12003600	2	35	12061200	3	24	12120200	5	25	12214300	9	42	12355402			12498000	12	28
12003701	2	36	12061500	3	12	12120900	5	22	12214401	9	47	12355404			12500240	13	31
	8	37	12062000	3	17	12120905	5	23	12214600	9	45/1	12355406	10	52	12501500	14	36
	10	32	12062001			12120950	5	35	12214701	9	49	12355408			12504500	12	13
12004901	2	38	12062002			12122920	5	34	12215101	9	51	12355410	10	53	12504600	12	15
12006200	4	14	12062003	3	16	12123020	5	33	12215301	9	52	12356300			12522500	12	39
12006400	4	17	12062004			12123400	5	27	12215400	9	52/1	12356400	10	52	12522600	12	40
12006500	4	15	12062200			12123900	5	26	12215500	9	41	12356700	10	53	12525400	12	36
12006600	7	27	12062300	3	15	12147800	4	28	12230500	9	35	12400102	11	10	12525800	12	38
12007200	4	16	12064201	3	10	12148500	4	29	12230701	9	46	12416400	11	50	12525900	12	37
12007600	4	10	12065400	3	11	12149800	4	36	12231501	9	50	12418200	11	21	12526600	12	33
12011400	2	20	12067000	3	33	12150700	4	24	12232400	9	34	12429600	11	15	12526700	12	45
12011401			12067600	3	34	12150900	4	26	12234300	9	31	12429701	11	13	12527200	12	44
12011402			12067700	3	35	12152200	4	37	12234400	9	26	12429800	11	14	12527201		
12011403	2	16	12067900	3	36	12152600	4	39	12235300	8	39/1	12430301	11	27	12527202		
12011404			12074000	3	28	12153000	4	38	12236800	9	23	12432000	11	32	12527203	12	42
12011700	2	40	12081801	9	55	12153200	4	42	12237900	9	28	12432800	11	33	12527204		
12011800	2	22	12082300	7	13	12153600	4	45	12238000	9	28/1	12433000	11	31	12527210		
12011900	2	18	12082800	7	14	12154200	4	46	12238501	9	25	12433000	18	25	12527600	12	32
12011901			12082900	7	11	12155701	4	50	12250900	9	63	12434001	11	30	12527700	12	34
12011902			12084400	7	12	12157400	4	51	12250906	9	10	12434200	11	36	12540200	10	10
12011903	2	39	12085701	7	15	12157500	4	41	12251100	9	64	12434320	12	50	12547000	10	16
12011904			12085901	7	16	12157600	4	49	12251105	9	13	12435700	12	52	12547200	10	15
12012100			12086001	7	17	12157800	4	52	12257801	9	20	12435900	12	53	12547800	10	13
12012200	2	39	12086101	7	19	12158400	4	18	12257901	9	19	12437020	11	70	12548000	10	22
12012800	2	23	12087000	7	18	12159000	4	22	12258201	9	22	12440200	11	38	12548201	10	23
12012900	2	19	12090201	7	21	12159100	4	19	12326300	10	26	12441305	11	39	12548401	10	24
12018900	2	32	12093001	7	26	12159200	4	21	12327700	10	27	12441905	9	62	12550201	11	53
12019600	2	41	12103500	5	15	12200201	8	10	12328000	10	25	12442105	9	61	12552300	11	54
12021700	1	39	12103900	5	19	12200700	8	14	12350300	10	31	12442800	11	44	12555201	11	69
12021800	1	43	12105401	5	12	12200801	8	11	12350400	10	48	12443200	11	40	12555351	5/A	22
12023501	1	10	12105402	5	12	12201000	4	49/1	12350700	10	49	12450300	11	51	12575121	6/A	10
12023700	1	11	12106501	5	20	12201100	8	18	12351100	10	57	12450400	11	52	12575321	6/A	11
12030200	1	26	12108400	4	41/1	12201400	8	25	12351300	10	59	12460502	11	60	12575421	6/A	12
12030400	1	27		5	21	12201500	8	26	12351400	10	55	12464320	11	65	12575540	6/A	21
12031800	1	31	12113200	6	60	12202000	9	33	12352100	10	47	12464340	5/A	20	12577250	6/A	13
12034001	1	29	12113401	6	62	12207200	8	32	12352400	10	39	12474921	18	35	12577840	6/A	24



NUMERICAL INDEX

Order No.	Plate No.	Figure No.	Order No.	Plate No.	Figure No.	Order No.	Plate No.	Figure No.	Order No.	Plate No.	Figure No.	Order No.	Plate No.	Figure No.	Order No.	Plate No.	Figure No.
12577940	6/A	14	12636201	16	23	12700256	4/A	20	12715425	3/A	14	12730726	2/A	29	12741721	1/A	26
12578240	6/A	15	12636600	16	26	12700257	4/A	21	12715426	3/A	15	12730730	2/A	17		18	50
12578450	6/A	16	12637400	16	20	12700258	4/A	23	12715427	3/A	16	12730735	2/A	18	12741722	1/A	27
12578621	6/A	28	12638100	15	23	12700259	4/A	6	12715428	3/A	17	12730736	2/A	41	12741723	1/A	28
12578940	6/A	33	12638200	16	22	12700260	4/A	10	12715429	3/A	18	12730740	2/A	46	12741724	1/A	29
12600101	13	10	12639601	16	32	12700300	17	11	12715430	3/A	20	12730741	2/A	21	12741725	1/A	30
12600300	13	11	12675405	16	39	12700321	18	48	12715431	3/A	21	12730746	2/A	26	12741726	1/A	31
12601000	13	14	12676000	16	59	12700610	17	20	12715432	3/A	22	12730747	2/A	39	12741727	1/A	32
12601900	13	23	12676001	16	38	12700700	17	14	12715433	3/A	23	12730749	2/A	30	12741728	1/A	33
12605401	13	12	12676500	16	58	12700735	4/A	43	12715434	3/A	24	12730750	2/A	49	12742500	1/A	18
12605500	13	21	12676505	16	42	12700746	4/A	36	12715435	3/A	24/1	12730750	2/A	48	12743022	1/A	16
12607500	6	12	12677000	16	57	12700900	17	18	12715436	3/A	25	12730751	2/A	31	12743023	1/A	17
12607900	6	13	12677005	16	40	12702500	17	21	12715437	3/A	26	12730754	2/A	14	12768620	1/A	15
12608300	6	22	12700200	17	10	12702505	17	21	12715438	3/A	27	12730755	2/A	32	12743700	18	12
12610200	15	10		4/A	A	12702900	17	44	12715439	3/A	28	12730756	2/A	33	12746001	18	11
12610300	15	11	12700205	17	10	12703000	18	40	12715440	3/A	29	12730758	2/A	36	12747102	18	42
12610800	15	12	12700212	4/A	15	12703801	17	46	12715441	3/A	30	12730758	2/A	50	12747200	18	43
	16	12	12700214	4/A	3	12703801	4/A	B	12715442	3/A	31	12730759	2/A	51	12747420	18	45
12611501	15	13	12700216	4/A	5	12703802	4/A	40	12715443	3/A	31	12730760	2/A	51	12747501	18	46
	16	13	12700217	4/A	4	12703804	4/A	42	12715444	3/A	32		2/A	42	12747700	18	44
12613200	15	14	12700218	4/A	24	12703805	4/A	42	17715445	3/A	33	12730761	3/A	11	12747900	18	47
12614100	15	17	12700219	4/A	2	12703805	17	46	12715446	3/A	34	12730763	2/A	52	12760400	14	17
12615200	15	40	12700223	4/A	1	12704100	17	47	12715446	3/A	34	12730763	2/A	45	12761620	14	35
	16	52	12700224	4/A	32	12704200	17	49	12715700	17	24	12730764	2/A	44	12762500	14	18
12615300	15	43	12700225	4/A	14	12704601	18	18	12715900	17	25	12730765	2/A	47	12762500	14	18
12620200	15	18	12700226	4/A	9	12705220	18	22	12716200	17	29	12730765	2/A	47	12763300	14	19
12620800	15	19	12700227	4/A	27	12705420	18	23	12716500	17	33	12730742	2/A	34	12766100	14	20
12621400	15	20	12700228	4/A	7	12705500	18	19	12717600	17	37	12730760	4/A	30	12768700	4	48
	16	21	12700231	4/A	13	12705600	18	17	12717801	18	38	12730778	2/A	35	12781520	11	71
12621500	15	38	12700236	4/A	31	12706800	11	72		12718400	17	36	12734900	17	57	12781620	12
	15	27	12700237	4/A	39		18	30	12718600	17	39	12735100	17	58	12782200	11	73
12622500	16	31	12700238	4/A	38	6/A	17	17	12719300	17	41	12735300	17	50	12782580	11	20
	15	24	12700239	4/A	11	17	28	12715400	17	43	12735400	17	53	12807000	6	15	
12623200	15	24	12700239	4/A	11	12715400	17	28	12730700	2/A	A	12735500	17	54	12807100	6	14
12625000	15	29	12700241	4/A	29	12715410	3/A	1	12730701	17	45	12735750	17	51	12807200	6	16
12625300	15	28	12700242	4/A	34	12715411	3/A	2		2/A	B	12740320	1/A	14	12900300	19	14
12626300	15	22	12700243	4/A	8	12715412	3/A	3	12730705	17	45	12740321	1/A	11	12900800	19	13
12626600	15	31	12700244	4/A	33	12715413	3/A	4	12730711	2/A	10	12740407	1/A	20	12901000	19	11
12626700	15	32	12700245	4/A	37	12715414	3/A	5	12730713	2/A	12	12740408	1/A	21	12901101	19	19
12626800	15	33	12700246	4/A	28	12715415	3/A	6	12730715	2/A	28	12740409	1/A	22	12909090	19	20
12630201	16	10	12700247	4/A	22	12715416	3/A	6	12730716	2/A	16	12740420	1/A	13	12912700	19	22
12630500	16	11	12700248	4/A	26	12715417	3/A	6	12730717	2/A	15	12740421	18	49	12914500	19	23
12633000	16	14	12700249	4/A	25	12715418	3/A	7	12730721	2/A	20	12740422	1/A	19	12919200	5	11/1
12633200	16	50	12700251	4/A	16	12715419	3/A	8	12730723	2/A	27	12740521	1/A	10	12937200	6	27
12633300	16	17	12700252	4/A	16	12715420	3/A	9		2/A	48		18	10	12937300	6	28
12634000	16	56	12700253	4/A	17	12715421	3/A	10	3/A	19	12740740	6/A	34	12999500	19	B	
12634100	16	18	12700254	4/A	19	12715423	3/A	12	4/A	35	12740920	1/A	23	13000701	2	10	
12635201	16	19	12700255	4/A	18	12715424	3/A	13	4/A	41	12741720	1/A	25	13020200	1	37	

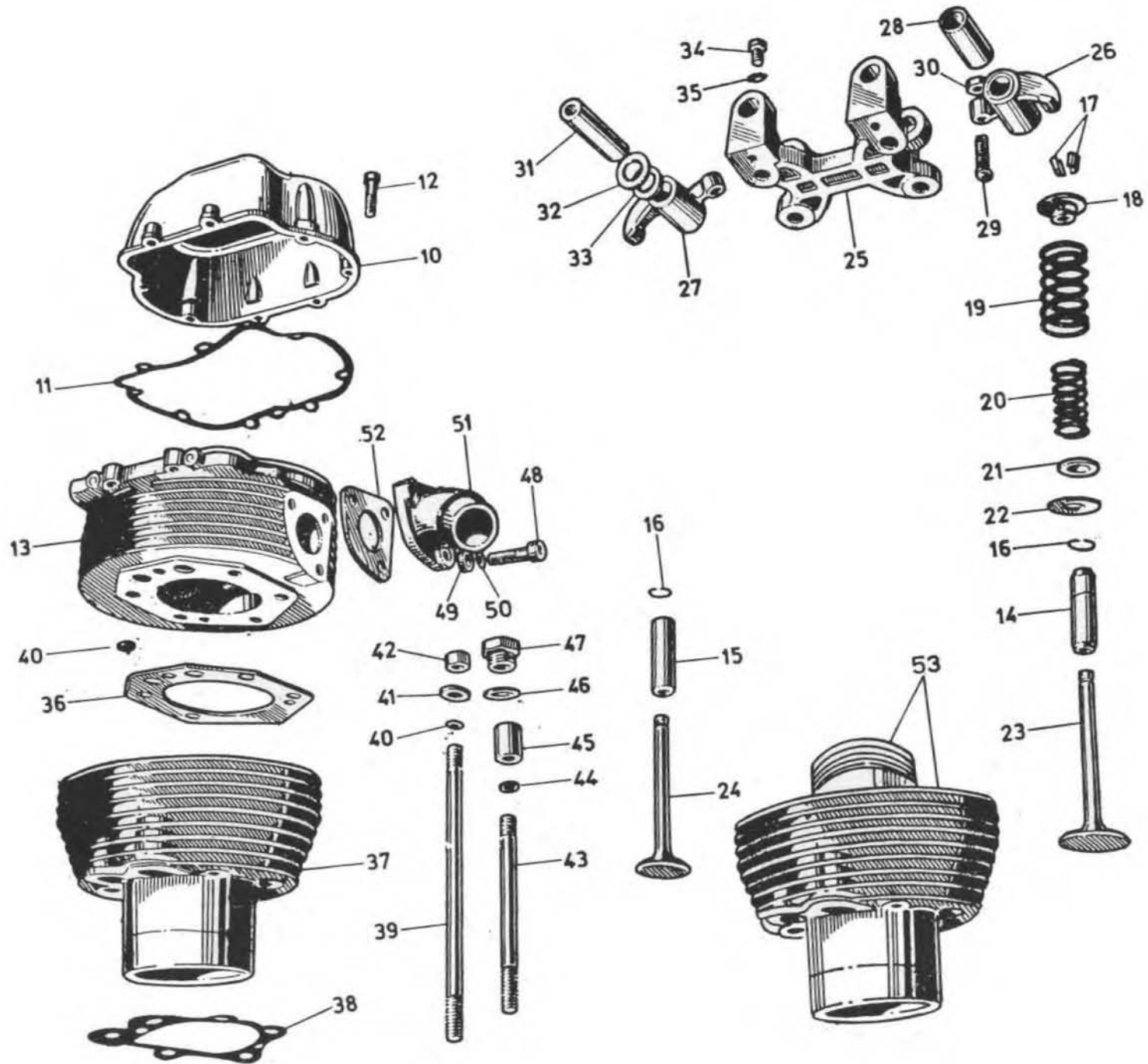
ILLUSTRATED PLATES



PLATE 1 MODEL: **V-750 CC AMBASSADOR
ENGINE**

GROUP: **Cylinder - Cylinder head - Rocker boxes -
Rocker ass. y - Valves**

Figure No.	Order No.	DESCRIPTION	Quantity	Notes
10	12 02 35 01	Cover, rocker box	2	
11	12 02 37 00	Gasket, rocker box	2	
12	98 26 03 30	Screw, rocker box cover	16	
13	13 02 21 00	Cylinder head, r/h	1	
	12 02 22 00	Cylinder head	1	
14	13 03 66 00	Guide, inlet valve	2	
15	13 03 67 00	Guide, exhaust valve	2	
16	90 35 30 16	Circlip, valve guide	4	
17	12 03 81 00	Semicones, valves	8	
18	13 03 80 00	Top collar, valves	4	
19	13 03 74 00	Spring, outer, valves	4	
20	13 03 76 00	Spring, inner, valves	4	
21	13 03 70 00	Bottom collar	4	
22	13 03 72 00	Washer, bottom collar to cylinder head	4	
23	13 03 60 00	Inlet valve	2	
24	13 03 61 00	Exhaust valve	2	
25	12 03 48 00	Support, rocker arm	2	
26	12 03 02 00	Rocker arm, r/h, c/w bushings	2	
27	12 03 04 00	Rocker arm, l/h, c/w bushings	2	
28	91 11 15 11	Bushing, rocker arm	4	
29	12 03 40 01	Screw, tappet adjusting	4	
30	92 60 25 08	Nut, tappet screw	4	
31	12 03 18 00	Spindle, rocker arm	4	
32	90 11 81 52	Washer, rocker arm	4	
33	84 32 22 15	Spring, rocker arm	4	
34	98 02 43 12	Bolt, rocker spindle	4	
35	95 02 11 06	Washer, rocker spindle bolt	4	
36	13 02 20 01	Gasket, cylinder head	2	
37	13 02 02 00	Cylinder	2	
38	13 02 08 00	Gasket, cylinder base	2	
39	12 02 17 00	Bolt, long. cylinder head	2	
40	90 70 60 90	Seal, cylinder head bolts	12	
41	95 10 03 15	Washer, cylinder head bolts	10	
42	82 75 11 03	Nut, cylinder head bolts	10	
43	12 02 18 00	Bolt, short, cylinder head	4	
44	95 00 42 10	Washer, hold down nut	2	
45	13 02 19 00	Nut, short bolt, pushrod side	2	
46	95 10 07 07	Washer, plug	2	
47	95 98 01 20	Plug, cylinder head	2	
48	98 62 04 35	Screw, intake pipe to cylinder head	2	
49	90 71 60 82	Washer, insulating, intake screw	6	
50	95 10 02 23	Washer, air intake tube	6	
51	12 11 50 02	Air intake tube, r/h	1	
	12 11 50 03	Air intake tube, l/h	1	
52	12 11 55 03	Gasket, air intake, insulating	4	
53	13 06 01 00	Cylinder and piston	1	





**PLATE 2 MODEL: V-750 CC AMBASSADOR
ENGINE**

GROUP: Crankcase and covers

Figure No.	Order No.	DESCRIPTION	Quantity	Notes
10	13 00 07 01	Crankcase	1	
11	96 50 80 66	Bolt , short, gear box fixing	4	
12	96 50 80 75	Bolt , medium, gear box fixing	2	
13	96 50 80 80	Bolt , long, gear box fixing	1	
14	95 10 12 31	Washer , gear box and starter motor fixing bolts	8	
15	92 60 22 08	Nut , gear box fixing bolts	7	
16	12 01 19 00	Flange , c/w journal bearing, timing side	1	
	12 01 19 01	Flange , c/w journal bearing, timing side (u/s .0078")		
	12 01 19 02	Flange , c/w journal bearing, timing side (u/s .015")		
	12 01 19 03	Flange , c/w journal bearing, timing side (u/s .023")		
17	12 01 19 04	Flange , c/w journal bearing, timing side (u/s .031")	14	
	98 05 44 25	Bolt , flange to crankcase and timing cover		
18	12 01 21 00	Lock plate , flange to timing cover nuts	2	
19	12 01 29 00	Lock plate , flange securing nut	1	
20	12 01 14 00	Flange , c/w main bearing, flywheel side	1	
	12 01 14 01	Flange , c/w main bearing, flywheel side (u/s .0078")		
	12 01 14 02	Flange , c/w main bearing, flywheel side (u/s .015")		
	12 01 14 03	Flange , c/w main bearing, flywheel side (u/s .023")		
21	12 01 14 04	Flange , c/w main bearing, flywheel side (u/s .031")	1	Angus 53.68.10
	90 40 53 68	Seal , on crankshaft, flywheel side		
22	12 01 18 00	Gasket , flange, flywheel side	1	
23	12 01 28 00	Lock plate , flywheel side bolt <i>6/32 - c 3cc</i>	4	
24	12 00 14 00	Timing cover	1	
25	90 40 38 50	Seal , timing cover	1	Angus 38.50.7
26	98 02 23 28	Screw , short, timing cover	10	
27	98 05 23 45	Screw , long, timing cover	12	
28	95 10 01 30	Washer , timing cover screws, generator belt cover and oil sump	37	
29	12 00 12 00	Gasket , timing cover	1	
30	12 00 16 00	Cover , belt	1	
31	98 10 60 21	Screw , belt cover	3	
32	12 01 89 00	Locating bush	2	
33	98 05 24 75	Bolt , starter motor retaining	1	
34	12 00 35 00	Oil sump	1	
35	12 00 36 00	Gasket , oil sump	1	
36	12 00 37 00 ²	Plug , oil drain	2	
37	90 71 41 95	Washer , oil drain and filler plug	2	
38	12 00 49 01	Plug , oil filler	1	
39	12 01 22 00	Pin , main bearing to timing side flange	1	
40	12 01 17 00	Pin , main bearing to flywheel side flange	1	
41	12 01 96 00	Guard plate , oil sump	3	
42	98 05 23 55	Screw , guard plate securing	6	
43	98 05 23 40	Screw , oil sump	8	
44	13 99 10 00	Engine c/w clutch, without gearshift	1	
45	13 99 15 50	Engine c/w clutch, with gearshift	1	

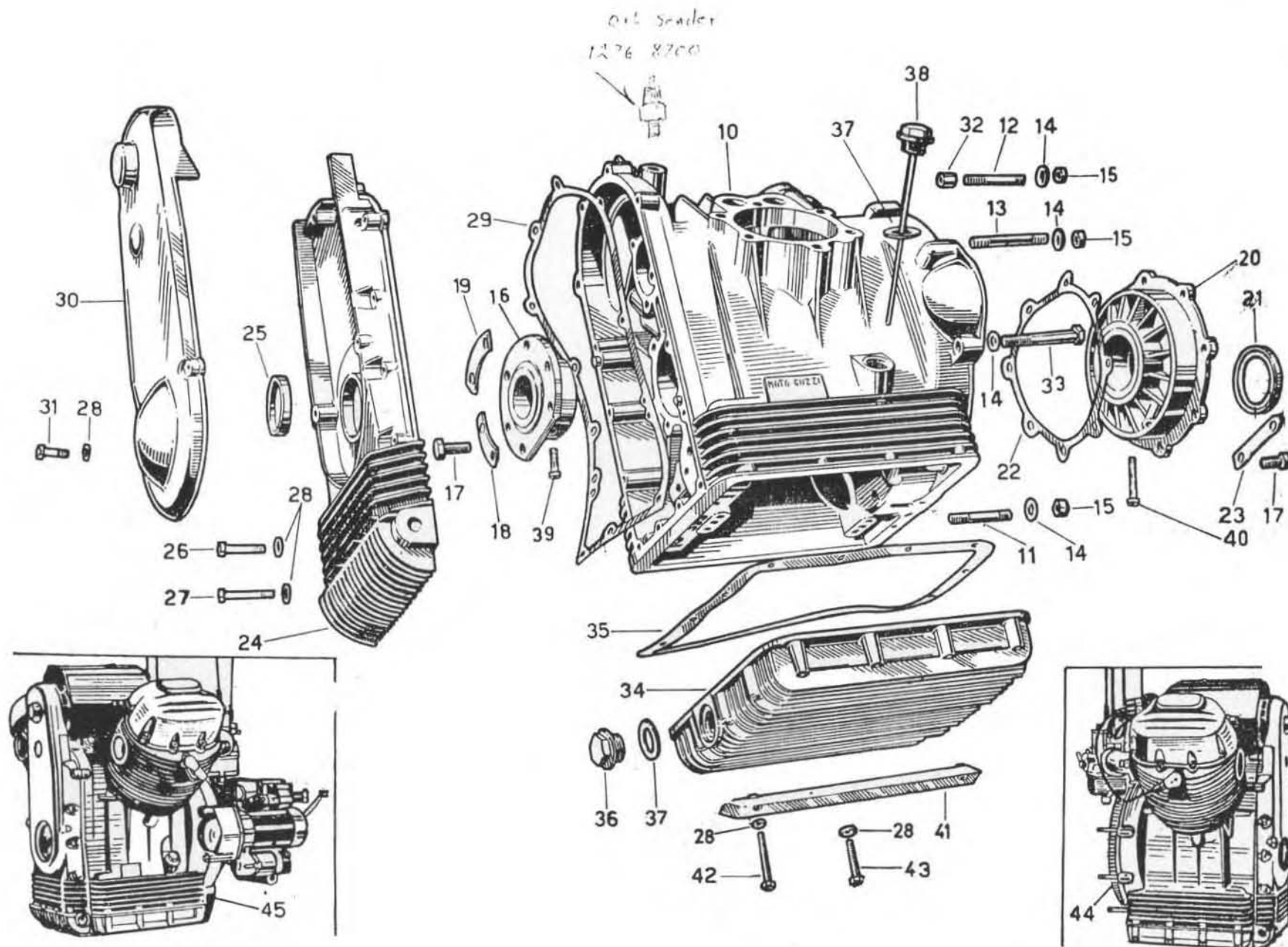




PLATE 3 MODEL: V-750 CC AMBASSADOR
ENGINE

GROUP: Connecting rods - Crankshaft - Piston -
Timing gears

Figure No.	Order No.	DESCRIPTION	Quantity	Notes
10	12 06 42 01	Crankshaft	1	
10/1	91 70 23 55	Key, timing gear and pulley	2	
11	12 06 54 00	Plug, crankshaft	1	
12	12 06 15 00	Con-rod, c/w bushing, bolts, nuts and lock-plates	2	
13	91 11 21 24	Bush, small end	2	
14	92 75 00 82	Nut, big end bolts	4	
15	12 06 23 00	Lock plate, big end bolts	4	
16	12 06 22 00	Bolt, big end securing	4	
17	12 06 20 00	Half bearing, big end, standard size	4	
	12 06 20 01	Half bearing, u/s 0.254 mm. (.01")		
	12 06 20 02	Half bearing, u/s 0.508 mm. (.02")		
	12 06 20 03	Half bearing, u/s 0.762 mm. (.03")		
	12 06 20 04	Half bearing, u/s 1.016 mm. (.04")		
18	13 06 04 01	Piston, bare	2	
19	13 06 02 01	Piston, c/w rings, pin and circlip	2	
20	13 06 07 00	Piston ring, compression, top	4	
21	13 06 08 00	Piston ring, compression, center	2	
22	13 06 09 00	Oil scraper	2	
23	13,06 06 00	Oil scraper <i>two SET</i>	2	
24	12 06 12 00	Piston pin	2	
25	90 35 10 37	Circlip	4	
26	13 07 17 00	Gear set, crankshaft, timing and oil pump gears	1	
27	90 70 62 50	Seal, crankshaft gear	1	
28	12 07 40 00	Pulley, generator	1	
29	98 05 43 16	Screw, pulley ass. y securing	3	
30	95 02 11 06	Washer, flange to camshaft and pulley ass. y screw	6	
31	92 70 11 87	Nut, pulley securing screws	2	
32	95 10 06 76	Washer, pulley securing nut	2	
33	12 06 70 00 <i>1706 7000</i>	Flywheel	1	
34	12 06 76 00	Plate, flywheel bolts	3	
35	12 06 77 00	Bolt, flywheel securing	6	
36	12 06 79 00	Ring gear, starter motor	1	
37	95 12 00 85	Washer, ring gear to flywheel	8	
38	98 05 44 25	Bolt, ring gear to flywheel	8	
39	12 05 33 02	Camshaft	1	
40	12 05 40 00	Flange, camshaft	1	
41	98 10 60 21	Screw, flange to camshaft	3	
42	95 51 20 80	Pin, camshaft wheel	1	
43	12 04 58 00	Tappet, standard size	4	
	12 04 58 01	Tappet, o/s 0.05 mm. (.0019")		
	12 04 58 02	Tappet, o/s 0.10 mm. (.0039")		
44	12 04 50 01	Push rod, complete	4	

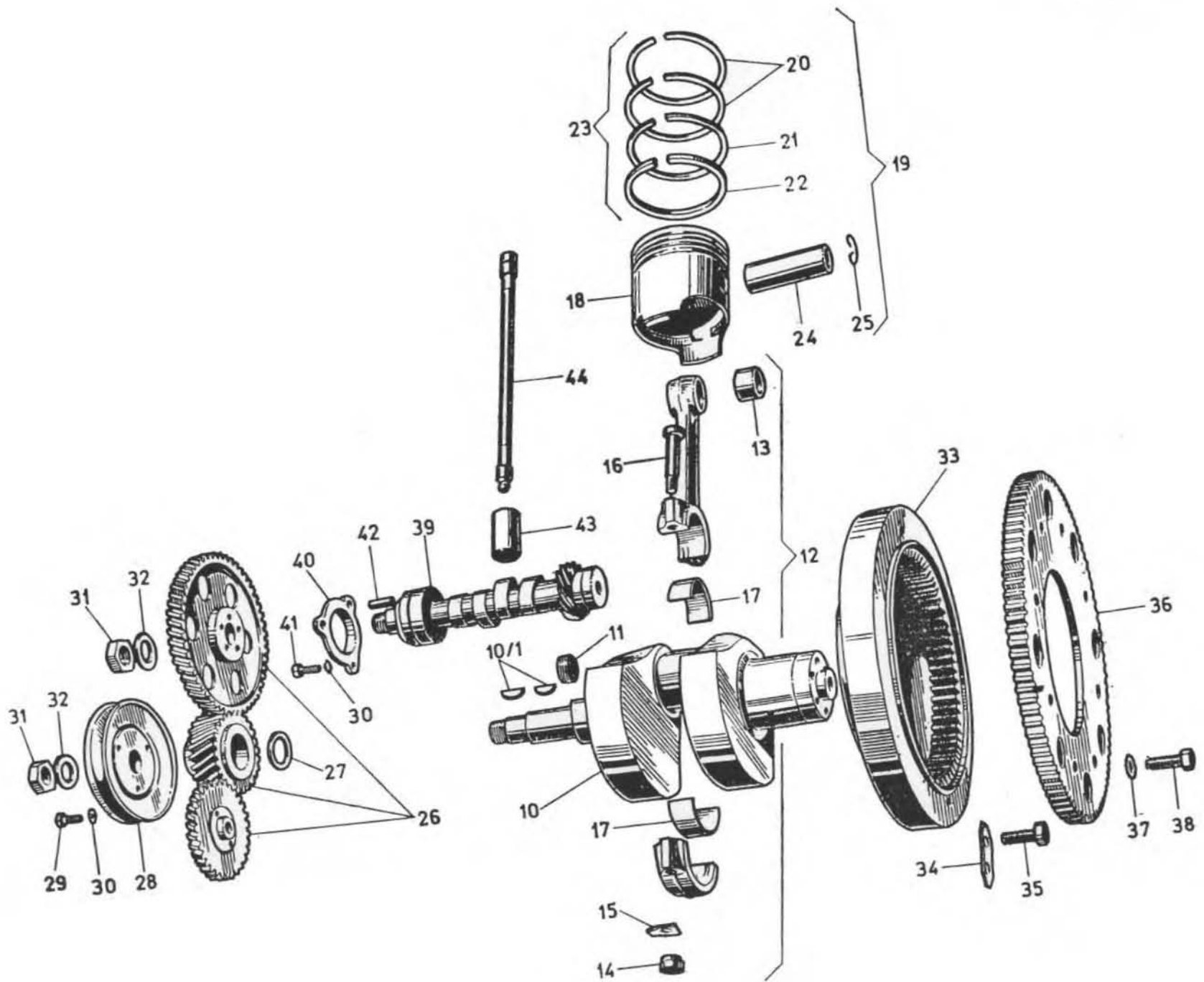




PLATE 4 MODEL: **V-750 CC AMBASSADOR ENGINE**

GROUP: **Oil pump - Oil lines - Filter - Breather unit - Oil pressure solenoid**

Figure No.	Order No.	DESCRIPTION	Quantity	Notes
10	12 00 72 00	Breather tube	1	
11	12 00 76 00	Washer, breather tube	1	
12	98 10 60 15	Screw, breather tube and return pipe band	3	
13	95 02 11 06	Washer, breather tube and band securing screws, and bottom plate bolt	5	
14	12 00 62 00	Tube, oil return from breather box	1	
15	12 00 65 00	Band, oil return tube	1	
16	12 00 66 00	Hollow bolt, return pipe securing	1	
17	12 00 64 00	Washer, hollow bolt	2	
18	12 15 84 00	Oil pipe	1	
19	12 15 91 00	Washer, oil pipe	2	
20	98 05 44 30	Bolt, oil pipe securing	2	
21	12 15 92 00	Lock plate, oil pipe screws	2	
22	12 15 90 00	Plug, oil relief valve	1	
23	95 10 05 07	Washer	1	
24	12 15 07 00	Bottom plate	1	
25	94 32 10 72	Spring	1	
26	12 15 09 00	Plunger, oil relief valve	1	
27	13 14 62 00	Oil pump, complete	1	
28	12 14 78 00	Spindle, gear driving	1	
29	12 14 85 00	Gear, driven	1	
30	13 14 77 00	Gear, driving	1	
31	91 70 12 32	Key, oil pump driving gear	1	
32	95 02 11 08	Washer, driving gear nut	1	
33	92 70 10 86	Nut, driving gear nut	1	
34	98 10 80 42	Screw, short, oil pump securing	2	
35	98 02 24 55	Screw, long, oil pump securing	2	
36	12 14 98 00	Lock plate, pump securing screws	2	
37	12 15 22 00	Oil cleaner, complete	1	
38	12 15 30 00	Gauze, oil filter	1	
39	12 15 26 00	Bottom plate	1	
40	98 02 43 10	Bolt, plate securing	2	
41	12 15 75 00	Line, flexible return pipe <i>1415 7.500</i>	1	
41/1	12 10 84 00	Band, recovery pipe to flexible line	1	
42	12 15 32 00	Washer	1	
43	95 02 11 08	Washer, spring, filter screw	1	
44	98 02 04 35	Screw, filter securing	1	
45	12 15 36 00	Pipe, oil delivery to cylinder heads	1	
46	12 15 42 00	Washer, oil pressure solenoid	1	
47	95 99 00 37	Screw, oil pipes to cylinder heads	3	
48	12 76 87 00	Oil pressure solenoid	1	
48/1	90 71 41 24	Seal, oil pressure solenoid	1	
49	12 15 76 00	Tube, vent <i>95 98 57 30</i>	1	
49/1	12 20 10 00	Band, breather tube	1	
50	12 15 57 01	Oil breather assembly, complete	1	
51	12 15 74 00	Tube, flexible, centre	1	
52	12 15 78 00	Band, breather tube to flexible pipe	1	

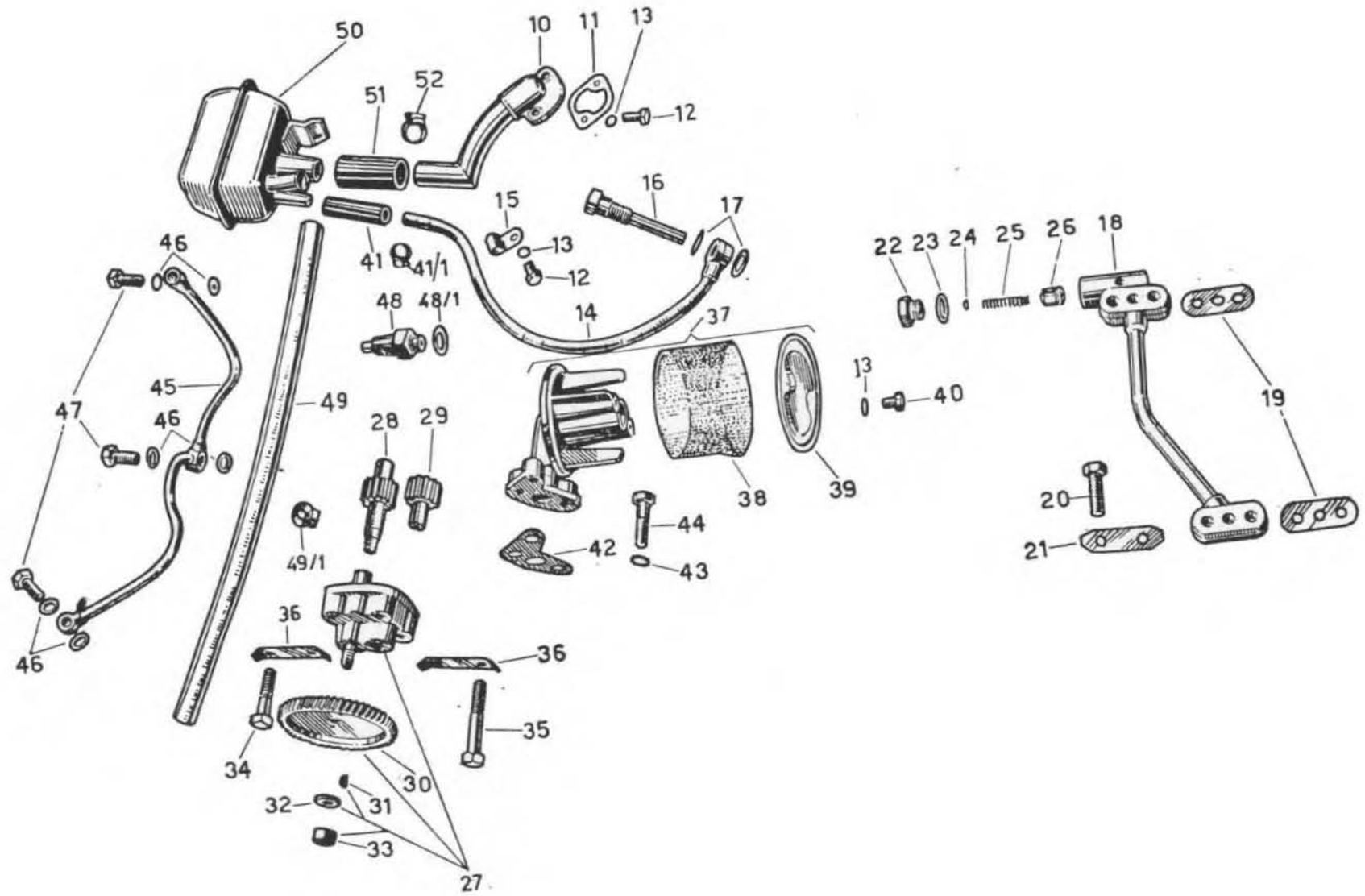




PLATE 5 MODEL: V-750 CC AMBASSADOR
ENGINE

GROUP: Fuel tank - Exhaust pipes - Mufflers

Figure No.	Order No.	DESCRIPTION	Quantity	Notes
10	13 10 02 20	Fuel tank	1	
11	55 91 94 25	Decal, r/h « Moto Guzzi »	1	
11/1	55 91 95 25	Decal, l/h « Moto Guzzi »	1	
11/1	12 91 92 00	Decal, « Use Shell Oil »	1	
12	12 10 54 01	Tap, fuel	2	} ORLANDI SETTI
12	12 10 54 02			
13	98 05 24 99	Screw, tank securing	2	
14	95 10 12 31	Washer, taking securing screw	2	
15	12 10 35 00	Bushing, rubber block	4	
16	55 10 34 25	Block, rubber	4	
17	92 60 22 08	Nut, tank securing screws	2	
18	90 71 41 23	Washer, tap	2 ÷ 4	
19	12 10 39 00	Filler cap, tank	2	
20	12 10 65 01	Fuel line, complete	1	
21	12 10 84 00	Band, fuel line	4	
22	12 12 09 00	Exhaust pipe, r/h	1	
23	12 12 09 05	Exhaust pipe l/h	1	
24	90 71 83 75	Gasket, exhaust pipe	2	
25	12 12 02 00	Lock-nut, exhaust pipe	2	
26	12 12 39 00	Tube, exhaust pipe connection	1	
27	12 12 34 00	Band, exhaust pipe to muffler 1312 3760	2	
28	99 10 50 80	Screw, exhaust pipe to muffler	4	
29	92 60 22 10	Nut, muffler screws	2	
30	95 02 11 10	Washer, muffler screws	2	
31	98 05 45 22	Screw, muffler securing	2	
32	55 12 70 25	Band, connection tube	2	
33	12 12 30 20	Muffler, r/h 1312 3060	1	
34	12 12 29 20	Muffler, l/h 1312 2960	1	
35	12 12 25 00	Band, exhaust pipe retaining	2	
36	98 02 43 12	Screw, exhaust pipe band securing	2	
37	92 60 22 06	Nut, exhaust pipe band screw	2	

1312-10601 FLAN C-E

SETTI FUEL TAP
 12105401 R/H 12105402
 13105461 L/H 13105460

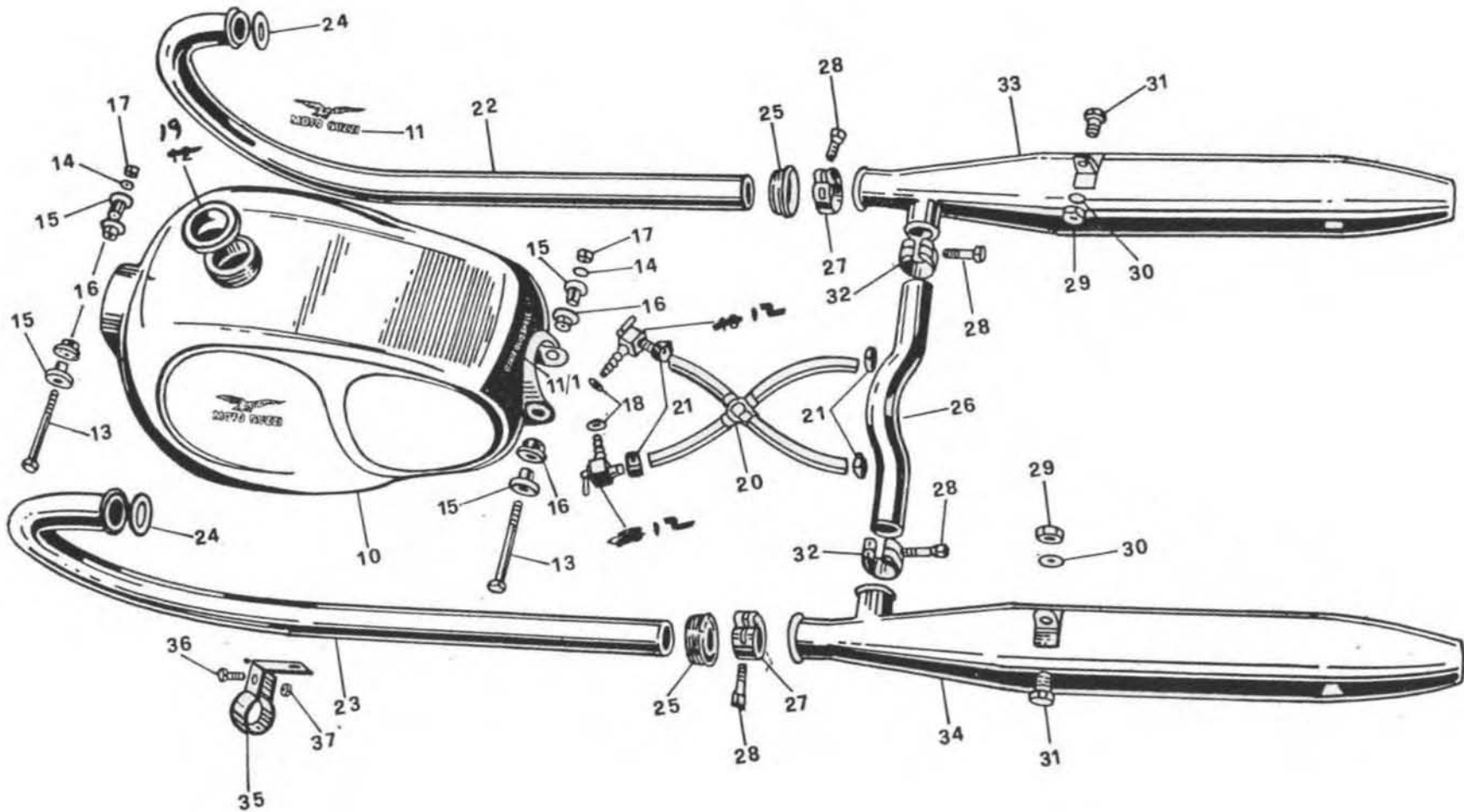




PLATE 6 MODEL: **V-750 CC AMBASSADOR ENGINE**

GROUP: **Carburetor - Control cables - Air cleaner**

Figure No.	Order No.	DESCRIPTION	Quantity	Notes
10	13 11 24 02	Carburetor, r/h (Dell'Orto VHB 29 CD)	1	3512 Dell'Orto 3511
	13 11 24 03	Carburetor, l/h (Dell'Orto VHB 29 CS)	1	
11	12 11 44 01	Air intake tube	2	
12	12 60 75 00	Throttle cable, handlebar to adaptor	1	
13	12 60 79 00	Adaptor, two-ways	1	
14	12 80 71 00	Cover, adaptor, near end	2	
15	12 80 70 00	Plunger, adaptor	2	
16	12 80 72 00	Cover, adaptor, far end	2	
17	98 10 80 15	Screw, adaptor securing	1	
18	95 10 12 31	Washer, adaptor screw	1	
19	92 60 22 08	Nut, adaptor screw	1	
20	95 79 02 33	Thumb screw, air and throttle cable	2	
21	92 70 00 71	Lock-nut, cable adjusting screw	2	
22	12 60 83 00	Cable, air, handlebar to adaptor	1	
23	12 11 70 01	Cable, air, carburetor to adaptor	2	
24	12 11 75 01	Cable, throttle, carburetor to adaptor	2	
25	13 93 70 00	Cap, protection, control cables	2	1476.00.06
26	13 93 28 00	Screw, mixture chamber cover	2	3978.00.36
26/1	13 93 29 00	Washer, spring, air and gas screw	2	5011.00.23
27	12 93 72 00	Screw, air and throttle adjusting	2	1104.00.37
28	12 93 73 00	Nut, air and throttle cable screw	2	1691.00.27
29	13 93 50 00	Cover, mixing chamber	1	7338.00.53
30	13 93 71 00	Spring, throttle slide	1	7448.00.61
31	13 93 75 00	Throttle slide	1	7454.60.64
32	13 93 77 00	Taper needle, V type	1	7455.05.08
33	55 93 85 85	Stop dowel, taper needle	1	1407.00.21
34	13 93 79 00	Screw, air valve cap. securing	1	7745.00.36
35	13 93 74 00	Cover, air valve	1	7637.00.06
36	13 93 76 00	Spring, air valve	1	4043.00.61
37	13 93 78 00	Air valve	1	3238.00.64
38	13 93 37 00	Bolt, chamber fixing	1	7880.00.34
39	13 93 39 00	Washer, chamber fixing bolt	1	4057.00.30
39/1	13 93 44 00	Body, float chamber	1	7881.00.96
39/2	13 93 34 00	Gasket, float chamber	1	7451.00.30
40	13 93 30 00	Float	1	7450.00.80
41	13 93 31 00	Pin, float	1	7346.00.22
42	13 93 48 00	Needle, fuel closing	1	4559.00.05
43	13 93 57 00	Main jet	1	1486.145.02
		Pump body	1	7879.00.32
		Pump plunger	1	7831.00.64
		Ball	1	7185.00.03
44	13 93 88 00	Accelerator pump	1	7832.00.33
		Valve housing	1	7882.00.61
		Plunger spring	1	7828.00.34
		Jet holder	1	

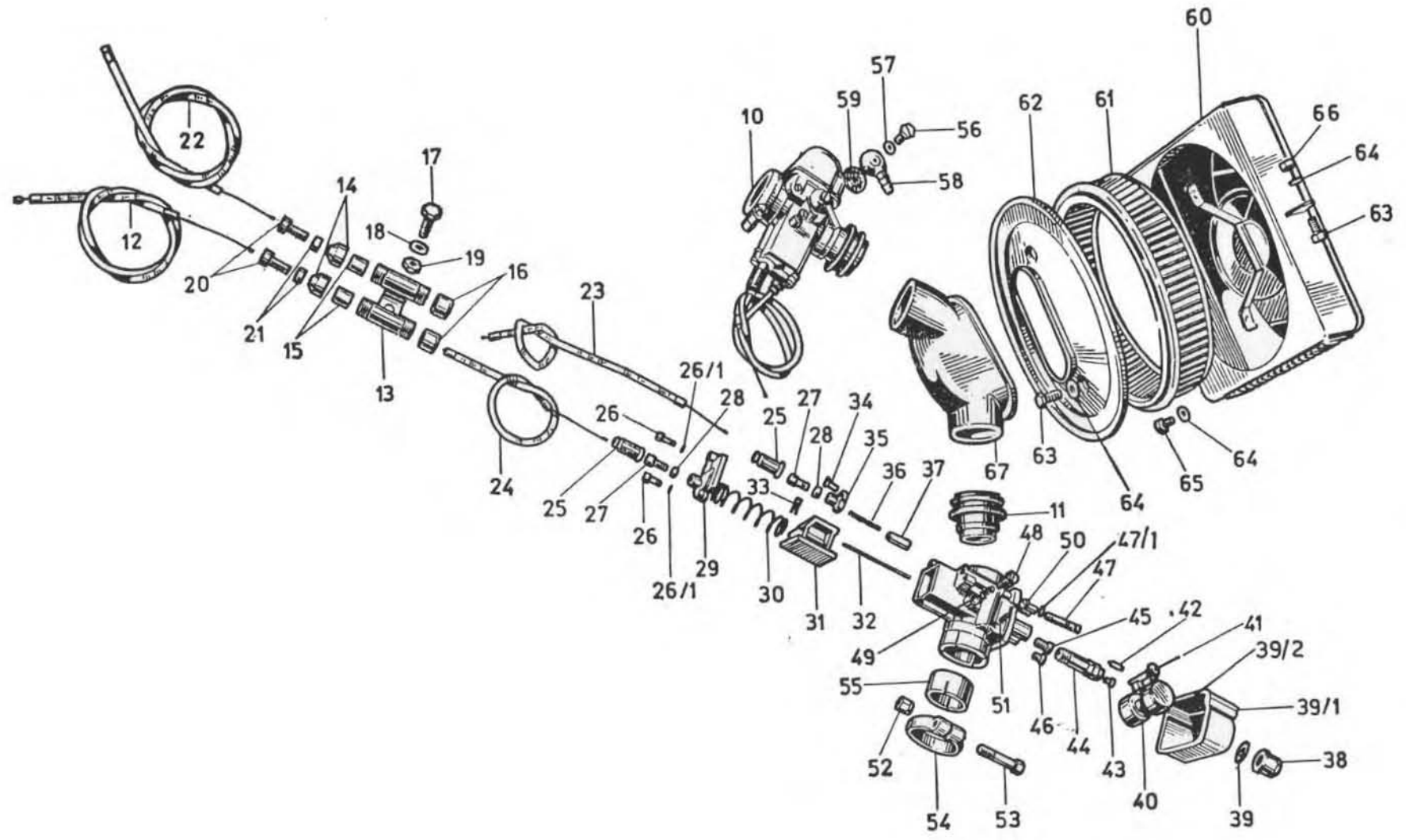




PLATE 6 MODEL: V-750 CC AMBASSADOR
ENGINE

GROUP: Carburetor - Control cables - Air cleaner

Figure No.	Order No.	DESCRIPTION	Quantity	Notes
45	13 93 55 00	Atomizer	1	7878.265.28
46	13 93 59 00	Pilot jet	1	1486.45.02
47	13 93 60 00	Air jet	1	7746.80.02
47/1	13 93 61 00	Washer, air jet	1	6173.00.30
48	13 93 66 00	Screw, throttle slide adjusting	1	7673.00.37
49	13 93 67 00	Spring, throttle slide screw	1	4670.00.61
50	13 93 62 00	Screw, idling	1	7449.00.37
51	13 93 63 00	Spring, idling screw	1	7446.00.61
52	13 93 68 00	Nut, sleeve securing screw	1	1751.00.27
53	13 93 86 00	Screw, sleeve securing	1	1750.00.36
54	13 93 87 00	Ring, sleeve retainer	1	1749.00.50
55	13 93 89 00	Insulating bush	1	7453.00.62
56	13 93 49 00	Screw, cap securing	1	4568.00.36
57	13 93 47 00	Washer, adaptor screw	1	4052.00.30
58	13 93 46 00	Adaptor, fuel line	1	6273.00.38
59	43 93 40 00	Fuel filter	1	6109.00.29
60	12 11 32 00	Filter box	1	
61	12 11 36 00	Element, filter	1	Retex LI - 2604 (FISPA)
62	12 11 34 01	Cover, filter box	1	
63	98 02 43 12	Screw, filter box cover	3	
64	95 02 11 06	Washer, filter box cover screw	5	
65	98 05 43 16	Screw, bottom box securing	2	
66	92 60 22 06	Nut, top box securing	1	
67	12 11 43 01	Rubber sleeve	1	

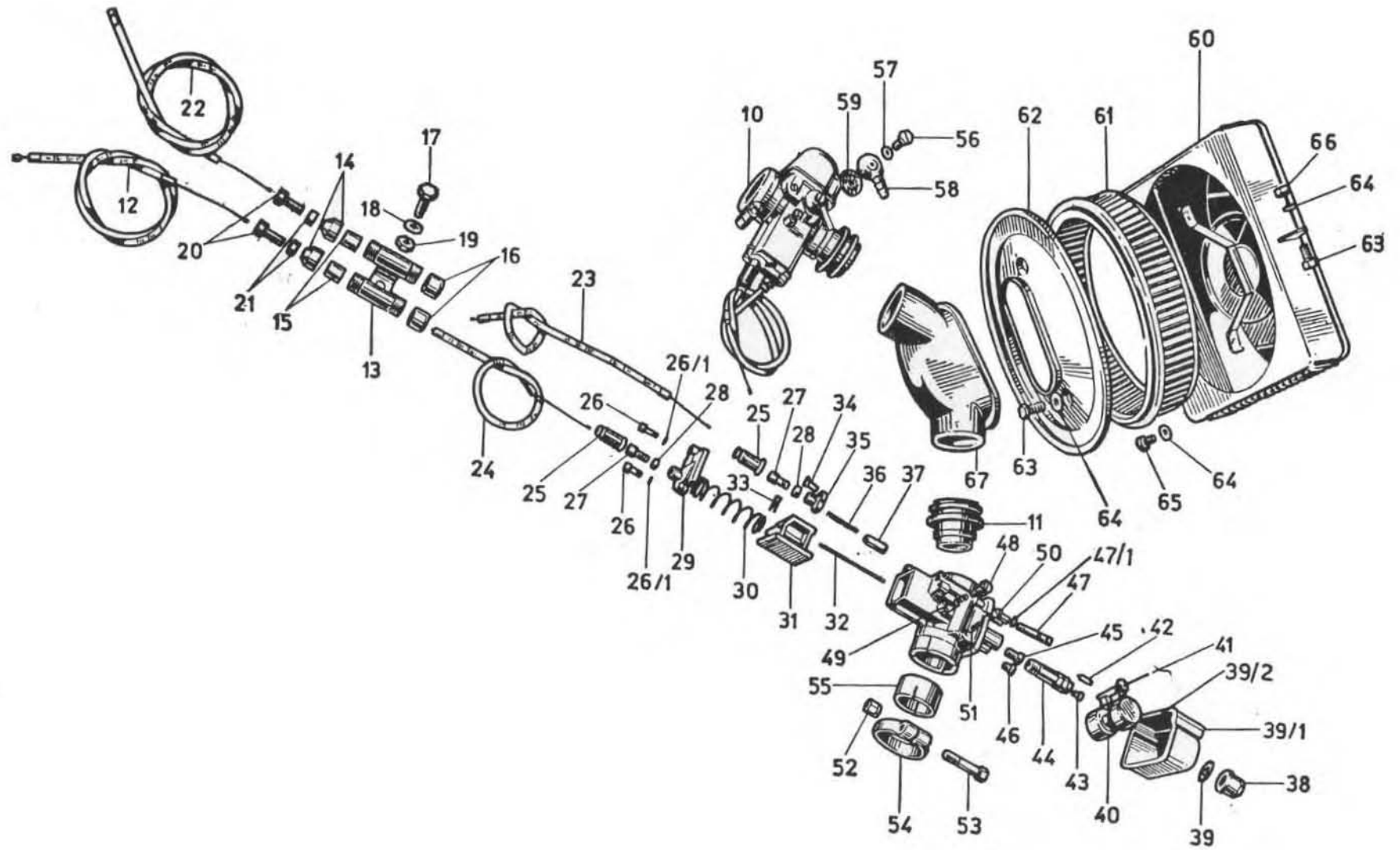




PLATE 7 MODEL: V-750 CC AMBASSADOR
PRIMARY DRIVE

GROUP: Clutch and controls

Figure No.	Order No.	DESCRIPTION	Quantity	Notes
10	13 08 41 00	Spring, clutch	8	
11	12 08 29 00	Pressure plate, clutch	1	
12	12 08 44 00	Clutch plate, complete	2	
13	12 08 23 00	Intermediate plate, clutch	1	
14	12 08 28 00	Washer, clutch plate	1	
15	12 08 57 01	Rod, clutch pressure plate	1	
16	12 08 59 01	Tube, rubber	1	
17	12 08 60 01	Inner body	1	
18	12 08 70 00	Cage, complete	1	
19	12 08 61 01	Outer body	1	
20	90 70 61 50	Seal	1	
21	12 08 02 01	Lever, clutch operating on gear box	1	
22	12 03 40 01	Screw, adjusting	1	
23	95 50 25 08	Nut, lever adjusting screw	1	
24	95 78 02 71	Pin, clutch lever to gear box	1	
25	95 50-02 22	Split pin, lever pin securing	1	
26	12 09 30 01	Cable, clutch	1	
27	12 00 65 00	Band, clutch cable	1	
28	95 10 01 37	Washer	1	

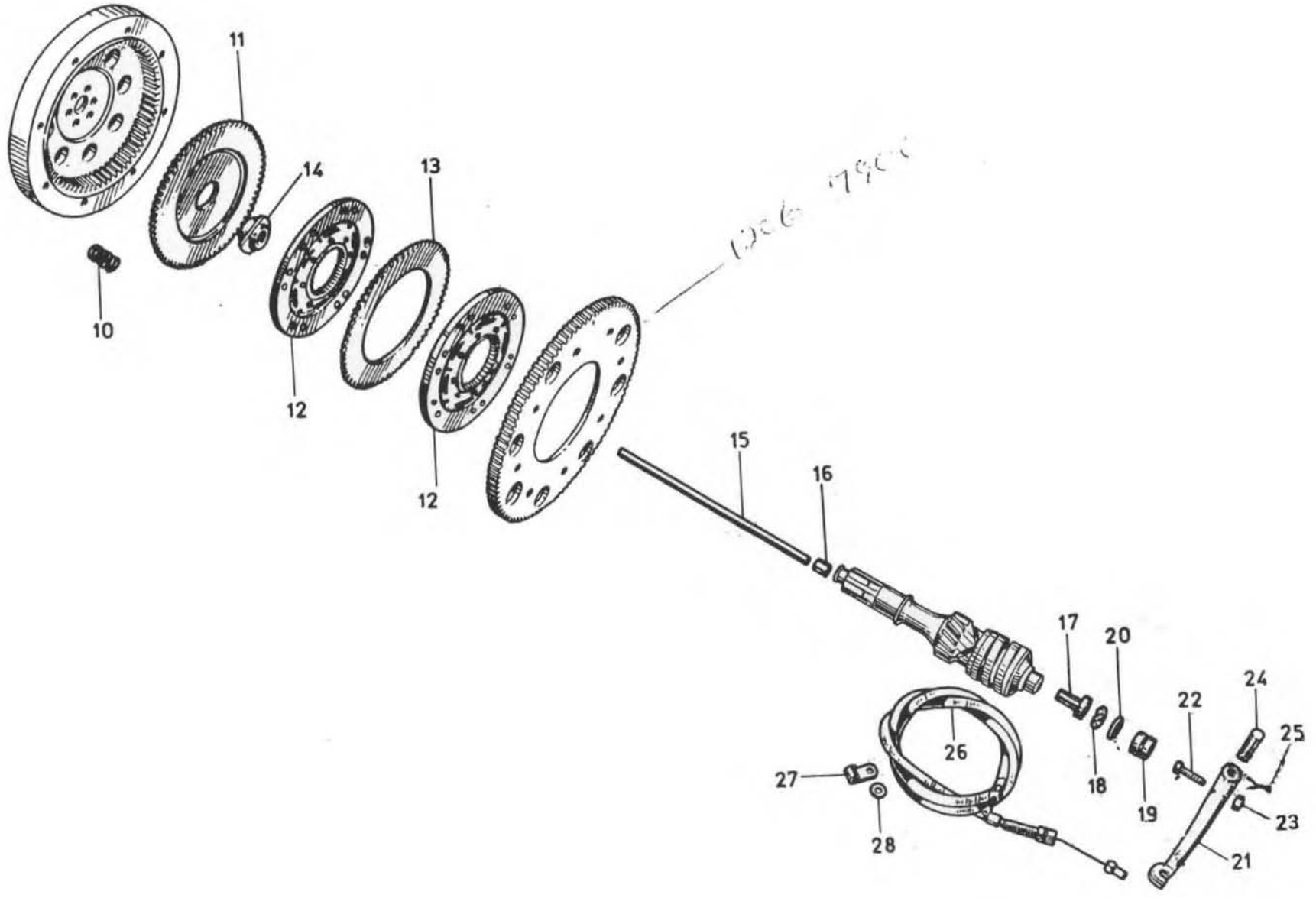




PLATE 8 MODEL: V-750 CC AMBASSADOR
PRIMARY DRIVE

GROUP: Gear box and covers

Figure No.	Order No.	DESCRIPTION	Quantity	Notes
10	12 20 02 01	Gear box	1	
11	12 20 08 01	Cover, gear box	1	
12	92 20 12 25	Bearing, in gear box for clutch shaft	1	25x52x15 (RIV 2A)
13	92 25 62 17	Bearing, in gear box for main shaft	1	17x35x15 (RIV NAS 17)
14	12 20 07 00	Bottom plate, in gear box for layshaft	1	
15	92 20 12 20	Bearing, in gear box for layshaft and in box cover for main shaft	2	20x47x14 (RIV 1 A20)
16	95 51 20 81	Locating pin	2	
17	90 40 25 35	Seal	1	Angus 25x35x7
18	12 20 11 00	Gasket, gear box cover	1	
19	92 20 11 20	Bearing, in gear box cover for clutch shaft	1	20x42x12 (RIV ELL 20)
20	92 20 12 22	Bearing, in gear box cover for layshaft	1	22x50x14 (RIV 1A 22)
21	90 40 35 47 78	Seal, cover, layshaft	1	Angus 35x47x7
22	98 05 23 35	Screw, gear box cover fixing	10	
23	95 10 01 30	Washer, gear box cover screws, selector cover, and contact breaker plate	17	
24	45 33 68 02	Grommet	1	
25	12 20 14 00	Cover, selector	1	
26	12 20 15 00	Gasket, selector cover	1	
27	98 10 60 21	Screw, short, cover securing	4	
28	98 10 60 55	Screw, long, cover securing	1	
29	55 23 78 00	Adjusting screw	1	
30	92 70 01 22	Nut, adjusting screw	1	
31	95 10 14 30	Washer, adjusting screw	1	
32	12 20 72 00	Neutral indicator unit, complete	1	
33	12 20 77 00	Washer, indicator unit	1	
34	92 60 82 05	Nut, indicator securing	2	
35	95 10 00 56	Washer, indicator nut	2	
36	98 05 43 16	Screw, indicator to gear box	2	
37	12 00 37 01 2	Plug, oil filler	1	
38	90 71 41 95	Gasket, oil filler plug	1	
39	95 98 02 10	Plug, level and drain	2	
39/1	12 23 53 00	Plug, selector pawl drum	1	
40	90 71 41 01	Washer, oil level and drain plug and selector pawl	3	
41	94 32 10 63	Spring, selector pawl	1	
42	55 23 47 00	Pawl, selector drum	1	

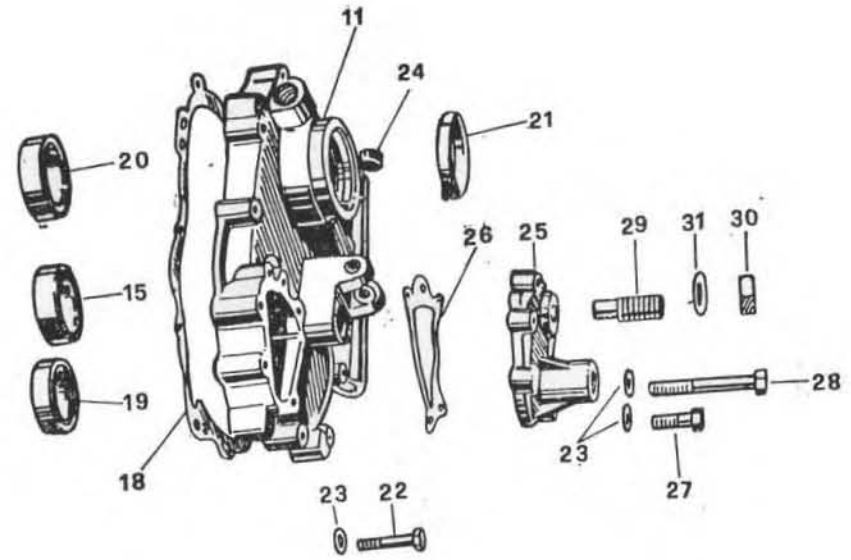
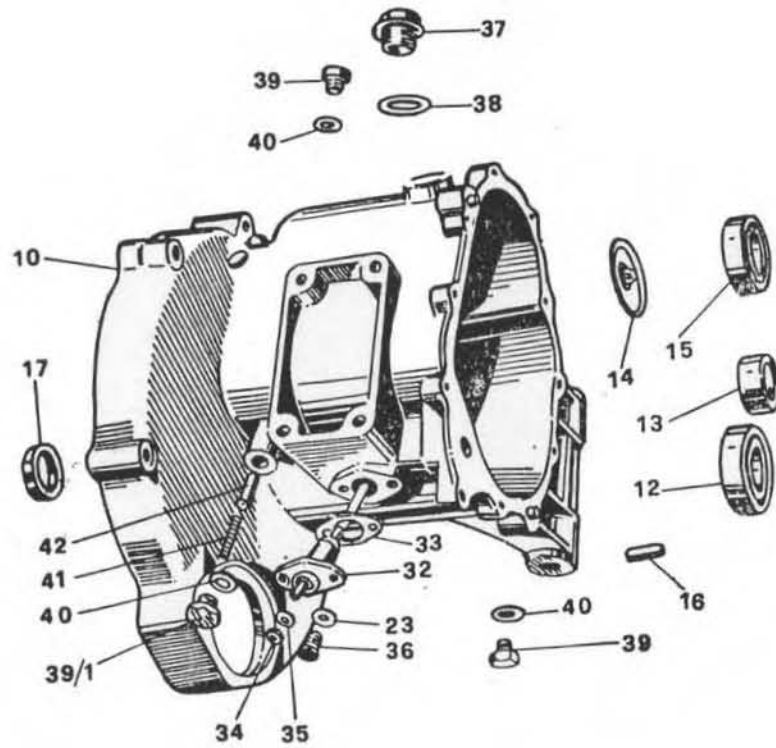




PLATE 9 MODEL: V-750 CC AMBASSADOR
PRIMARY DRIVE

GROUP: Gear box - Shafts - Controls

Figure No.	Order No.	DESCRIPTION	Quantity	Notes
10	12 25 09 06	Pedal, gearshift, rocker type, l/h	1	
11	55 25 10 00	Rubber, gearshift pedal	2	
12	98 05 44 25	Screw, gearshift pedal	1	
13	12 25 11 05	Shaft, c/w lever, l/h operation	1	
14	95 50 02 22	Cotter pin, gearshift operating rod	2	
15	95 12 91 10	Washer, gearshift rod pins	2	
16	95 78 02 65	Pin, gearshift control rod	2	
17	92 70 00 73	Nut, adjusting, on rod	1	
18	95 74 01 71	Fork, gearshift rod	2	
19	12 25 79 01	Rod, gearshift	1	
20	12 25 78 01	Rod, c/w forks	1	
21	98 10 60 24	Screw, lever to crankcase	1	
22	12 25 82 01	Lever, gearshift operating	1	
23	12 23 68 00	Starter pin	1	
24	55 23 82 00	Spring, starter pin return	1	
25	12 23 85 01	Camplate	1	
26	12 23 44 00	Drum, gear selection	1	
27	55 23 64 00	Body, inner, selector	1	
28	12 23 79 00	Plunger, r/h, selector	1	
28/1	12 23 80 00	Plunger, l/h, selector	1	
29	26 26 72 00	Pawl, selector plunger	2	
30	94 32 10 49	Spring, plunger	2	
31	12 23 43 00	Rod, selector drum	1	
32	55 23 50 00	Shim, 0.6 mm. (.023")	1	
	55 23 50 01	Shim, 0.8 mm. (.031")		
	55 23 50 02	Shim, 1 mm. (.039")		
	55 23 50 03	Shim, 1.2 mm. (.047")		
33	12 20 20 00	Cup, oil pick up	1	
34	12 23 24 00	Shaft, fork operating	1	
35	12 23 05 00	Fork, gear selector	2	
36	12 21 05 02	Main shaft, gear box	1	
37	12 21 10 00	Washer, thrust, main shaft, high gear end	2	
37/1	90 11 82 47	Seal, intermediate, main shaft	1	
38	12 21 36 00	Layshaft	1	
39	93 60 10 22	Lock ring, layshaft	1	
40	95 02 80 22	Washer, safety, lock ring	1	
41	12 21 55 00	Spacer	1	
41/1	92 29 57 02	Ball, speedo gear retaining	1	
42	12 21 43 00	Washer, adjusting	1	
43	12 21 46 02	Gear, 1st speed, c/w bushing	1	
44	91 21 27 18	Bushing, 1st speed gear	1	
45	90 27 10 27	Circlip, layshaft	3	
45/1	12 21 46 00	Washer, thrust, circlip to bush	2	

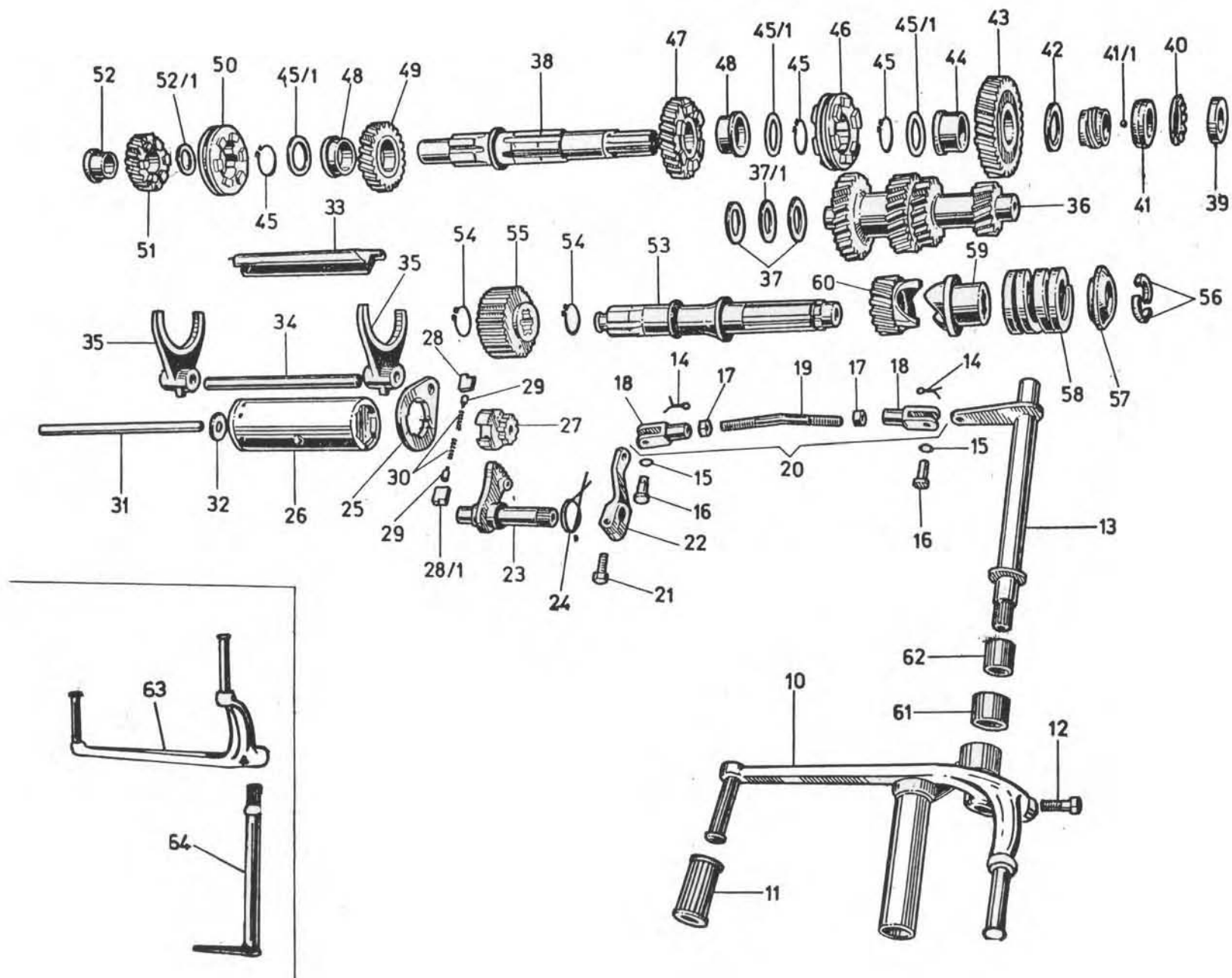




PLATE 9 MODEL: V-750 CC AMBASSADOR
PRIMARY DRIVE

GROUP: Gear box - Shafts - Controls

Figure No.	Order No.	DESCRIPTION	Quantity	Notes
46	12 23 07 01	Sleeve, sliding, 1st and 2nd speed	1	
47	12 21 44 01	Gear, 2nd speed, c/w bushing	1	
48	91 12 27 14	Bushing, 2nd and 3rd speed gear	2	
49	12 21 47 01	Gear, 3rd speed c/w bushing	1	
50	12 23 15 01	Sleeve, sliding, 3rd and high gear	1	
51	12 21 51 01	Gear, top	1	
52	12 21 53 01	Bush, floating, high speed gear	1	
52/1	12 21 54 00	Washer, thrust, bush to shaft	1	
53	12 21 07 01	Shaft, clutch	1	
54	90 27 10 25	Circlip, clutch inner body	2	Seeger 25 e
55	12 08 18 01	Body, inner, clutch	1	
56	12 21 17 00	Semi collar, cush drive plate	2	
57	13 21 16 00	Plate, cush drive	1	
58	13 21 15 00	Spring, cush drive	1	
59	12 21 12 00	Sliding muff	1	
60	12 21 11 01	Counter gear, clutch shaft	1	
61	12 44 21 05	Bush, guiding, operating shaft	1	
62	12 44 19 05	Bush, inner, operating shaft	1	
63	12 25 09 00	Lever, gearshift, r/h	1	
64	12 25 11 00	Lever shaft, r/h operation	1	

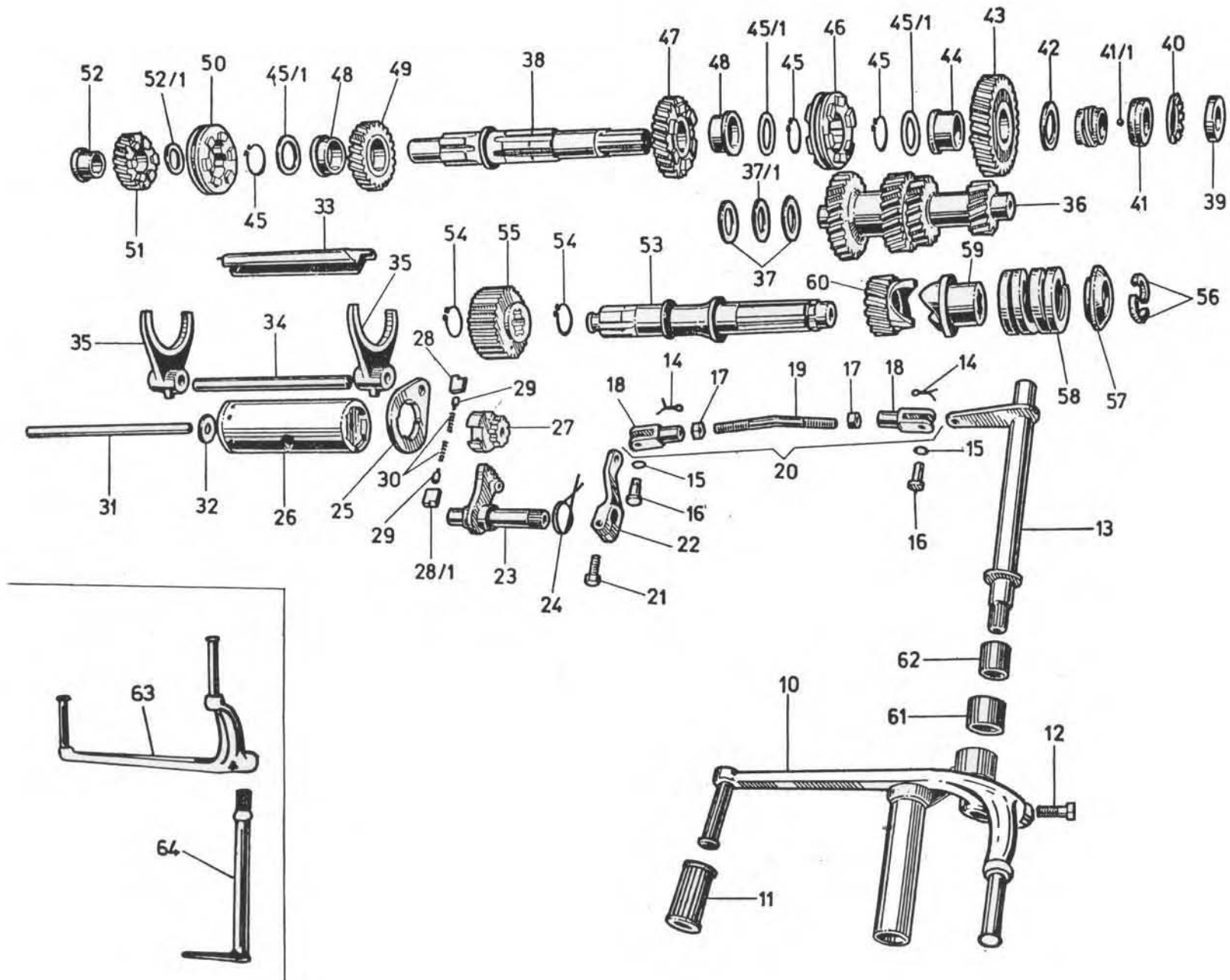




PLATE 10 MODEL: V-750 CC AMBASSADOR
REAR WHEEL DRIVE

GROUP: Rear Fork - Rear drive box - Drive shaft -
Bevel gear

Figure No.	Order No.	DESCRIPTION	Quantity	Notes
10	12 54 02 00	Rear fork	1	
11	98 02 05 35	Screw, rear fork clamp	1	
12	95 10 03 31	Washer, clamp screw	1	
13	12 54 78 00	Cap nut, rear fork to frame	2	
14	92 72 02 00	Nut, fork spindle	2	
15	12 54 72 00	Spacer	2	
16	12 54 70 00	Spindle, rear fork support	2	
17	90 40 30 40	Seal, rear fork spindle	2	
18	92 24 92 16	Bearing, taper roller	2	Angus 30x40x7 17x40x12 (RIV 01/02/5010)
19	96 50 80 45	Bolt, drive box to swing arm	4	
20	95 12 00 85	Washer, drive box bolts	4	
21	13 35 02 00	Rear, wheel drive, complete	1	
22	12 54 80 00	Gaiter, rubber	1	
23	12 54 82 01	Band, large, gaiter to drive box	1	
24	12 54 84 01	Band, small, gaiter to drive box	1	
25	12 32 80 00	Double joint, layshaft to drive shaft	1	
26	12 32 63 00	Drive shaft	1	
27	12 32 77 00	Sleeve, drive shaft and bevel drive	1	
28	90 27 10 20	Seal, drive shaft and bevel gears	3	
29	90 27 20 58	Clirclip	1	Seeger 20 e 58 i
30	92 20 42 28	Bearing, ball, rear fork	1	28x58x16 (RIV ALN 28)
31	12 35 03 00	Rear drive box	1	
32	12 00 37 0X2	Oil filler plug, drive box	1	
33	90 71 41 95	Gasket, oil filler plug	1	
34	95 98 02 10	Plug, oil level and drain	2	
35	90 71 41 01	Washer, oil level and drain plug	2	
36	12 35 67 00	Nut, bevel gear retaining	1	
37	92 60 50 08	Nut, drive box bolts	4	
38	92 24 92 25	Bearing, taper roller in housing	2	25x52x16,25 (RIV 01/02/7205)
39	12 35 24 00	Housing, bearing	1	
40	12 35 26 00	Gasket, drive box to bearing housing	1	
10/1	90 70 64 90	Seal, rear drive box	1	
41	12 35 29 00	Gasket, bearing housing to rear fork	1	
42	12 35 51 00	Distance piece, bearings	1	
43	12 35 52 02	Shim, spacer to bearing	1 ÷ 17	(0.1 mm. = .0039")
	12 35 52 03	Shim, bevel gears spacers	6 ÷ 14	(.15 mm. = .0059")
44	12 35 53 01	Spacer, bevel set	1 ÷ 2	(mm. 1)
	12 35 53 02	Spacer, bevel set	1 ÷ 2	(mm. 1,2)
	12 35 53 03	Spacer, bevel set	1 ÷ 2	(mm. 1,5)
45	13 35 46 00	Bevel gear set	1	
46	98 05 44 25	Bolt, flange to drive box	8	

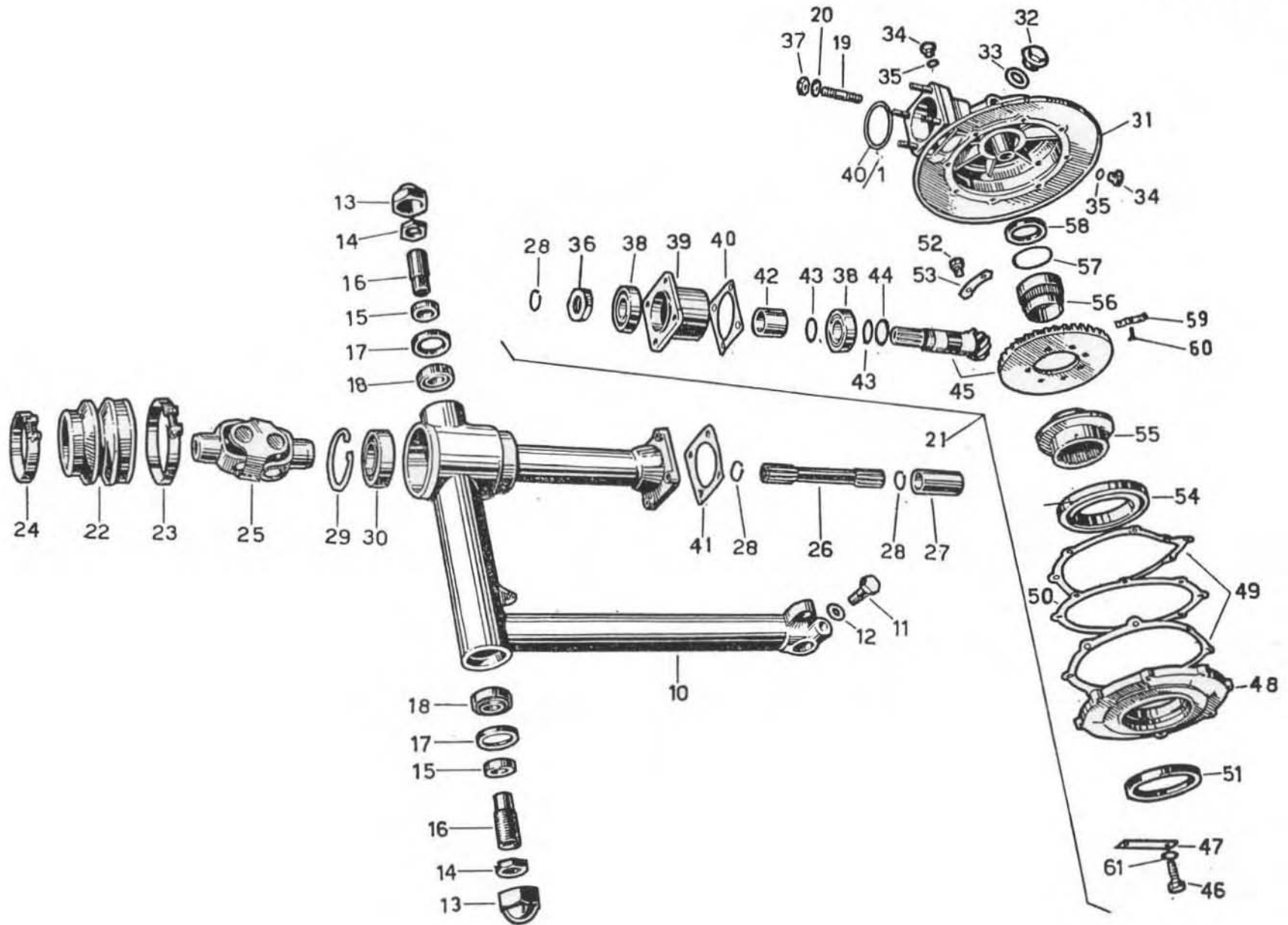




PLATE 10 MODEL: V-750 CC AMBASSADOR
REAR WHEEL DRIVE

GROUP: Rear Fork - Rear drive box - Drive shaft -
Bevel gear

Figure No.	Order No.	DESCRIPTION	Quantity	Notes
47	12 35 21 00	Lock Plate, flange fixing bolts	4	
48	12 35 04 00	Flange, drive box	1	
49	12 35 07 00	Gasket, flange to spacer and spacer to drive box	2	
50	12 35 54 00	Shim 0.8 mm. (.031")	1	
	12 53 54 02	Shim 0.9 mm. (.035")		
	12 35 54 04	Shim 1 mm. (.039")		
	12 35 54 06	Shim 1.1 mm. (.043")		
	12 35 54 08	Shim 1.2 mm. (.047")		
	12 35 54 10	Shim 1.3 mm. (.051")		
51	90 40 70 85	Seal	1	Angus 70.85.8
52	12 35 63 00	Bolt, bevel gear to journal	8	
53	12 35 64 00	Lock Plate, bevel gear bolts to journal bearing	4	
54	92 20 10 70	Bearing, ball	1	70x110x13 (R:V ELL N. 70)
55	12 35 14 00	Journal bearing	1	
56	92 25 43 40	Bearing, roller	1	Durkopp NAF 40x55x17
57	12 35 11 00	Ring, cage retaining	1	
58	90 40 38 50	Seal	1	Angus 38.50.7
59	12 35 13 00	Plate, bearing stop	1	
60	98 28 06 14	Screw, roller bearing stop plate	1	
61	95 00 42 08	Washer, flange securing screw	8	

TAVOLA 10

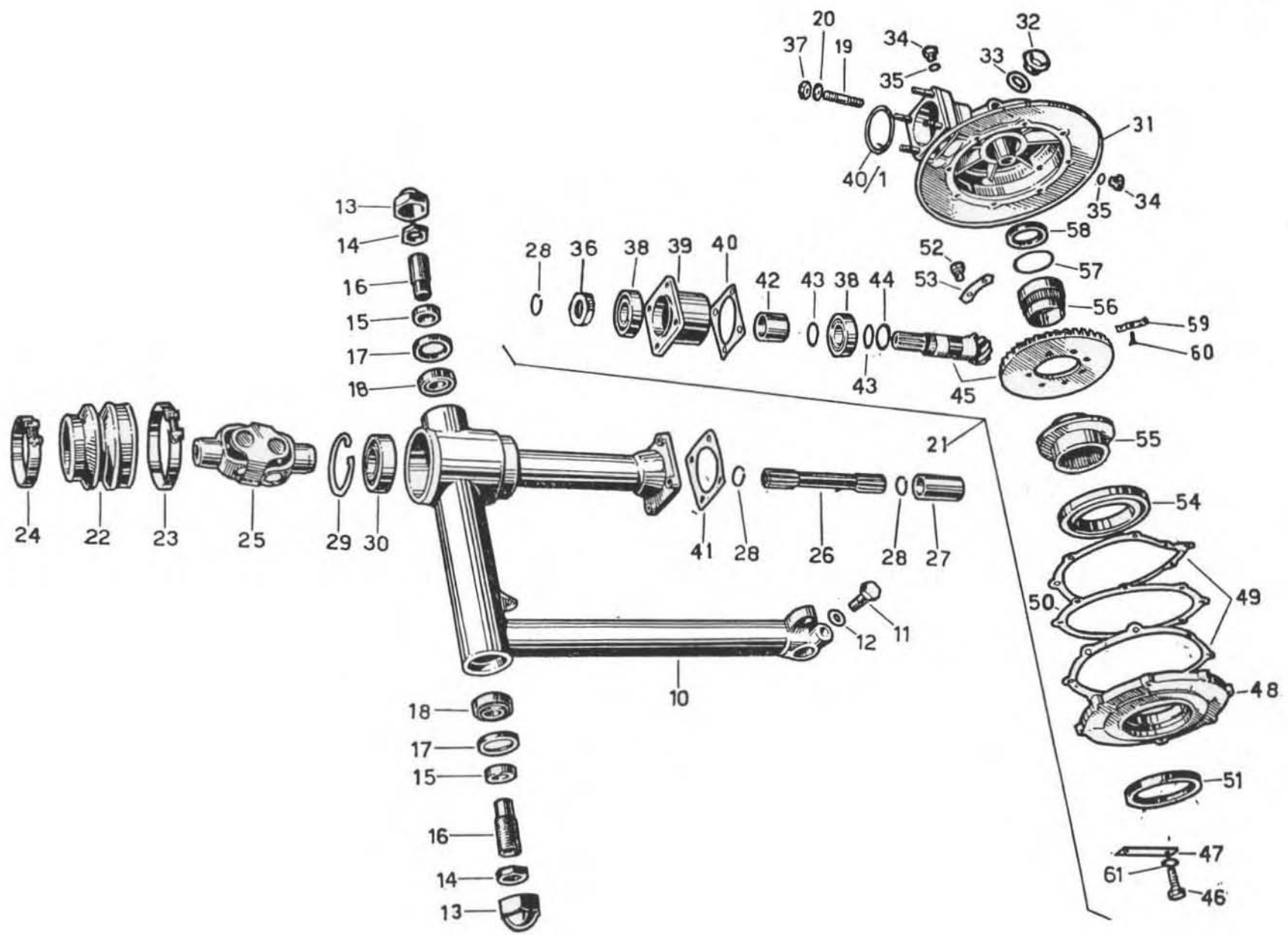
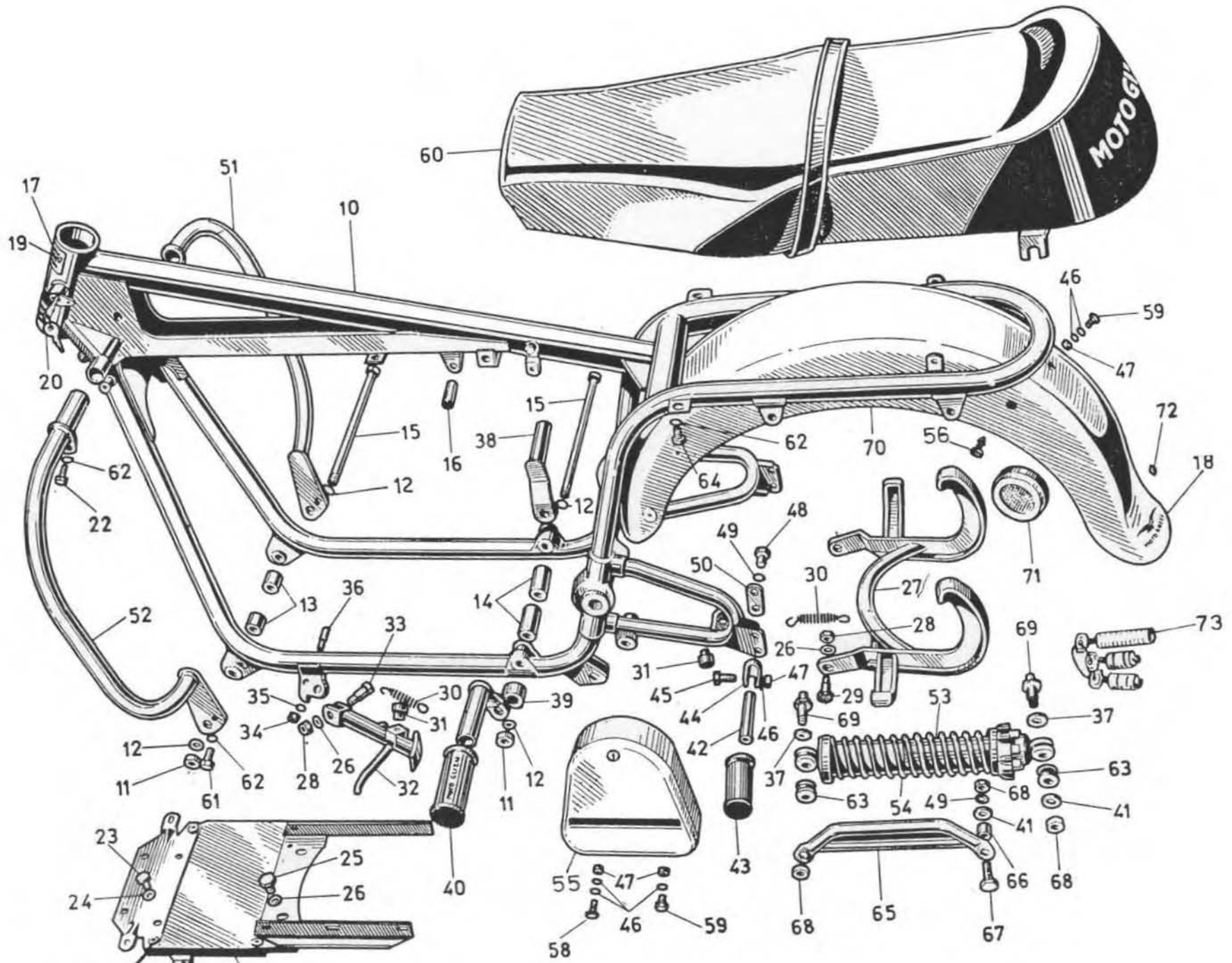




PLATE 11 MODEL: **V-750 CC AMBASSADOR**
FRAME

GROUP: **Frame - Center stand - Side stand -
Footrests - Rear fender**

Figure No.	Order No.	DESCRIPTION	Quantity	Notes
10	12 40 01 02	Frame	1	
11	92 70 01 28	Nut, engine to frame bolt	2	
12	95 10 04 15	Washer, engine to frame bolt	2	
13	12 42 97 01	Spacer, front	2	
14	12 42 98 00	Spacer, rear	2	
15	12 42 96 00	Bolt, engine to frame retaining	2	
16	91 18 09 49	Spacer, tank securing plate	1	
17	13 91 85 22	Plate, serial number	1	
18	92 85 07 52	Decal, rear fender	1	
19	45 91 85 70	Rivet, serial number plate securing	6	
20	12 78 25 80	Lock, antitheft, with key on steering column	1	
21	12 41 82 00	Bracket, battery support	1	
22	98 02 44 12	Screw, safety guard to frame	2	
23	98 10 80 17	Screw, battery bracket securing	4	
24	95 10 12 31	Washer, battery bracket securing screws	4	
25	98 11 00 15	Screw, battery bracket to frame	2	
26	95 10 03 11	Washer, battery bracket screws to frame and sidestand screws	5	
27	12 43 03 01	Center Stand	1	
28	92 63 01 10	Nut, center and side stand securing bolts	3	
29	99 10 51 34	Bolt, center stand	2	
30	12 43 40 01	Spring, return, center and side stand	2	
31	12 43 30 00	Buffer, rubber, center and side stand	2	
32	12 43 20 00	Side Stand	1	
33	12 43 28 00	Bolt, side stand	1	
34	92 60 22 08	Nut, spring retaining dowel	1	
35	95 10 02 25	Washer, spring dowel	1	
36	12 43 42 00	Dowel, spring	1	
37	95 10 42 15	Washer, inner, damper securing spindle	4	
38	12 44 02 00	Pivot arm, footrest	1	} for machines with R/H gearshift n° 2 pieces } for machines with L/H gearshift
39	12 44 13 05	Pivot arm, L/H footrest	1	
40	12 44 32 00	Rubber, footrest	2	
41	95 10 03 37	Washer, damper unit	2	
42	55 44 23 00	Footrest, passenger	2	
43	55 44 33 85	Rubber, passenger footrest	2	
44	12 44 28 00	U-Plate, footrest securing	2	
45	98 05 23 25	Screw, footrest securing	2	
46	95 10 01 30	Washer, tool box, and rear fender screws	16	
47	92 60 22 06	Nut, footrests, tool box, and rear fender screws	10	
48	98 05 45 22	Screw, passenger footrest plate	2	
49	95 02 11 10	Washer, footrest plate and grip securing screws	4	
50	12 41 64 00	Reinforcement, footrest plate	2	



Grommet
1270 6800 21



PLATE 11 MODEL: V-750 CC AMBASSADOR
FRAME

GROUP: Frame - Center stand - Side stand -
Footrests - Rear fender

Figure No.	Order No.	DESCRIPTION	Quantity	Notes
51	12 45 03 00	Safety Bar, R/H	1	
52	12 45 04 00	Safety Bar, L/H	1	
53	12 55 02 00	Shock absorber unit	2	
54	12 55 23 00	Spring, shock absorbers	2	
55	13 47 60 20	Tool box, r/h	1	
	13 47 61 20	Tool box, l/h	1	
56	93 18 00 70	Grommet, rear fender	2	
58	98 10 60 17	Screw, long, tool box and number plate securing	2	
59	98 02 43 12	Screw, short, tool box and rear fender	6	
60	12 48 05 02 346 0560	Seat, dual	1	
61	98 05 44 18	Screw, bottom, safety bar securing	2	
62	95 02 11 08	Washer, rear seat securing screw	6	
63	55 55 16 00	Bushing, flexible, rear dampers <i>LARGE 1855-1650</i>	4	
64	98 10 80 16	Screw, front seat securing	2	
65	12 46 43 20	Handgrip, machine raising	1	
66	91 18 10 15	Spacer	2	
67	98 02 05 35	Screw	2	
68	92 60 22 10	Nut, handgrip and damper securing	6	
69	12 55 52 01	Boss, damper attachment	4	
70	12 43 70 20	Rear fender	1	
71	12 78 15 20	Reflex reflector, red, rear fender	2	
72	12 70 68 00	Grommet, tail lamp cable	1	
73	12 78 22 00	Locks antitheft (including fig. 20 and 57)	1	Neiman

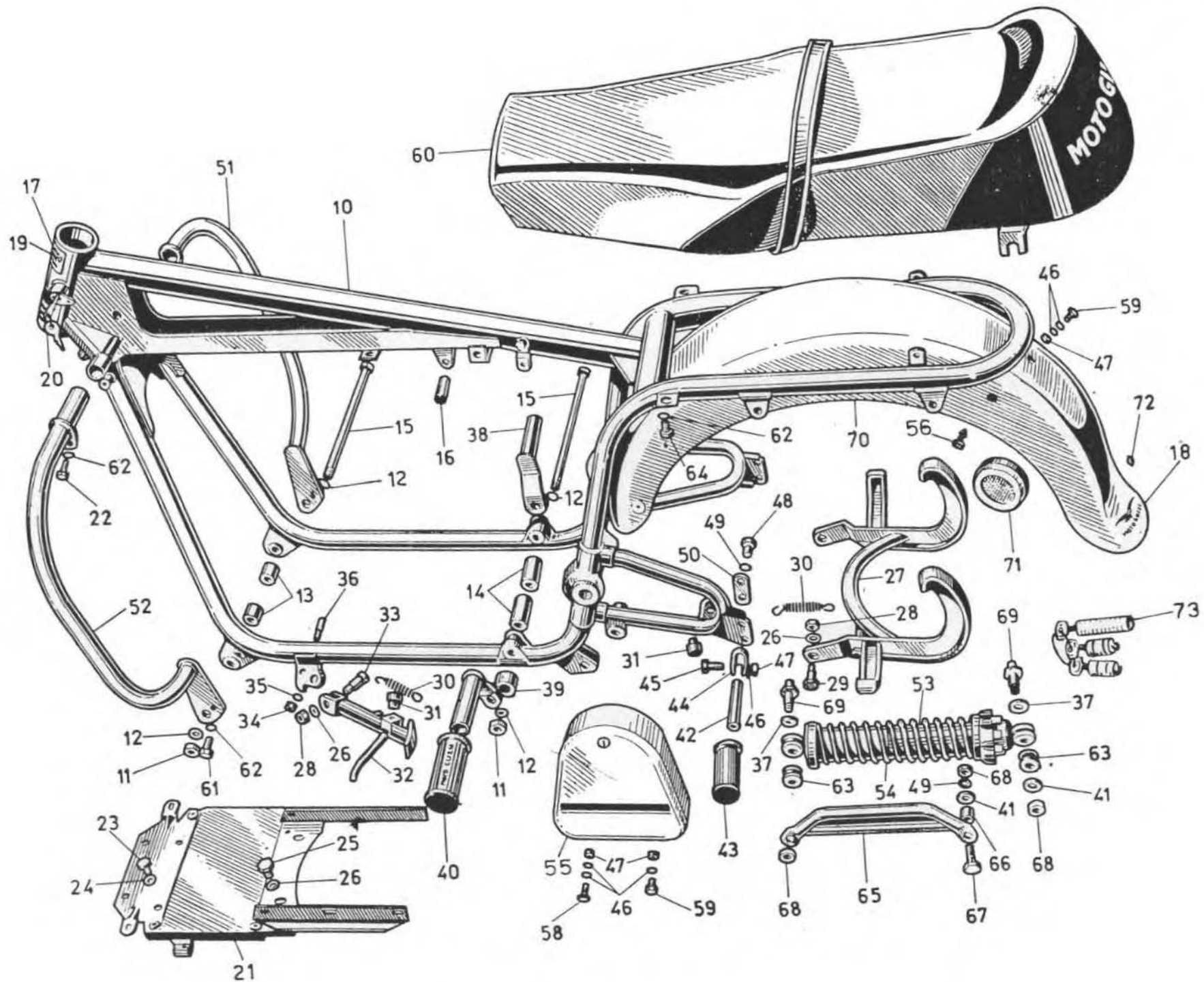




PLATE 12 MODEL: V-750 CC AMBASSADOR
FRONT SUSPENSION - STEERING

GROUP: Front fork - Front fender - Steering

Figure No.	Order No.	DESCRIPTION	Quantity	Notes
10	12 49 02 21	Front fork, complete	1	
11	92 70 11 39	Nut, top linking plate securing	1	
12	95 10 05 21	Washer, top linking plate nut	1	
13	12 50 45 00	Plug, top fork	2	
14	90 70 62 22	Gasket, top fork plugs	2	
15	12 50 46 00	Washer, top fork plugs	2	
16	12 49 30 01	Top linking plate	1	
17	12 49 27 00	Circlip	2	
18	12 49 23 00	Cap, headlight bracket	2	
19	93 60 10 26	Lock ring, bottom yoke	2	SKF - KM5
20	12 49 45 00	Cap, steering tube	1	
21	92 24 92 25	Bearing; taper roller, steering	2	25x52x16,25 (RIV 01/027205)
22	12 49 41 80	Steering tube, bottom yoke	1	
23	92 70 12 52	Nut, steering tube to bottom yoke	1	
24	12 49 42 01	Bottom yoke	1	
25	98 05 38 75	Bolt, handlebar clamps	2	
26	95 10 14 30	Washer, clamp bolts to bottom yoke	3	
27	92 60 25 12	Nut, clamp bolts to bottom yoke	2	
28	12 49 80 00	Eyelet, front brake cable	1	
29	91 55 11 02	Ring, rubber, front brake cable guide	1	
30	12 49 61 21	Headlight bracket, r/h	1	
31	12 49 62 21	Headlight bracket, l/h	1	
32	12 52 76 00	Bottom plate; headlight bracket	2	
33	12 52 66 00	Spring, front fork	2	
34	12 52 77 00	Housing, fork springs	2	
35	90 40 35 50	Seal	2	35x50x10
36	12 52 54 00	Fork rod	2	
37	12 52 59 00	Lock ring, fork rod and bottom fork link retaining	2	
38	12 52 58 00	Bushing, bottom, fork rod	2	
39	12 52 25 00	Cover, fork, r/h	1	
40	12 52 26 00	Cover, fork, l/h	1	
41	90 70 64 90	Gasket, fork cover	2	
42	12 52 72 10	Washer, adjusting, top bush (0.1 mm. = .0039")	4	
43	90 35 30 46	Circlip, fork cover	2	
44	12 52 72 00	Shim, fork cover adjusting 2 mm. (.078")	2	
	12 52 72 01	Shim, fork cover adjusting 2.1 mm. (.082")		
	12 52 72 02	Shim, fork cover adjusting 2.2 mm. (.086")		
	12 52 72 03	Shim, fork cover adjusting 2.3 mm. (.090")		
	12 52 72 04	Shim, fork cover adjusting 2.4 mm. (.094")		
45	12 52 67 00	Bush, top fork cover	2	
46	98 02 05 35	Bolt, handlebar clamp to headlight bracket	2	
47	95 10 03 31	Washer, handlebar clamp to headlight bracket bolt	2	
48	98 30 50 09	Screw, oil drain from forks	2	

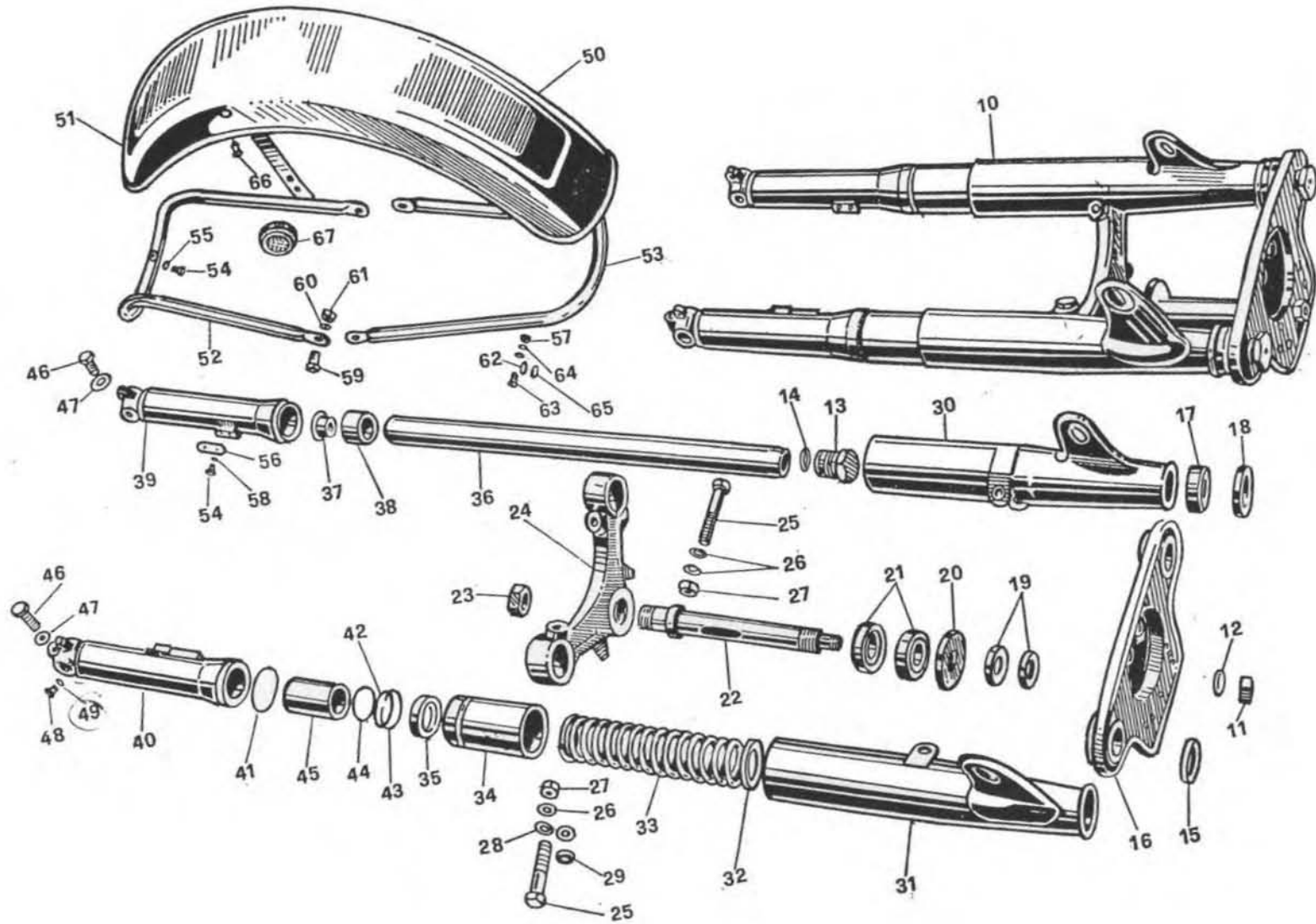




PLATE 12 MODEL: V-750 CC AMBASSADOR
FRONT SUSPENSION - STEERING

GROUP: Front fork - Front fender - Steering

Figure No.	Order No.	DESCRIPTION	Quantity	Notes
49	90 71 40 51	Washer, oil drain screw	2	
50	12 43 43 20	Front fender	1	
51	92 85 07 52	Decal, front fender	1	
52	12 43 57 00	Stay, top, front fender	1	
53	12 43 59 00	Stay, bottom, front fender	1	
54	98 02 43 12	Screw, stay and center attachment plate	8	
55	95 10 01 21	Washer, stay securing screws	4	
56	55 43 48 25	Plate, center fender securing	2	
57	92 60 24 06	Nut, eyelet securing screw	1	
58	95 10 01 30	Washer, plate securing screws to fender	4	
59	98 02 44 22	Screw, front fender to fork	4	
60	95 02 11 08	Washer, front fork to fender screws	4	
61	92 60 22 08	Nut, front fork to fender screws	4	
62	55 43 65 25	Eyelet, cable guide	1	
63	98 34 60 10	Screw, eyelet securing	1	
64	95 02 11 08	Washer, spring, eyelet securing screw	1	
65	91 55 11 31	Rubber ring, front brake guiding eyelet	1	
66	93 18 00 70	Plug, front fender	2	
67	12 78 16 20	Reflex reflector, amber, front fender	2	Lucas

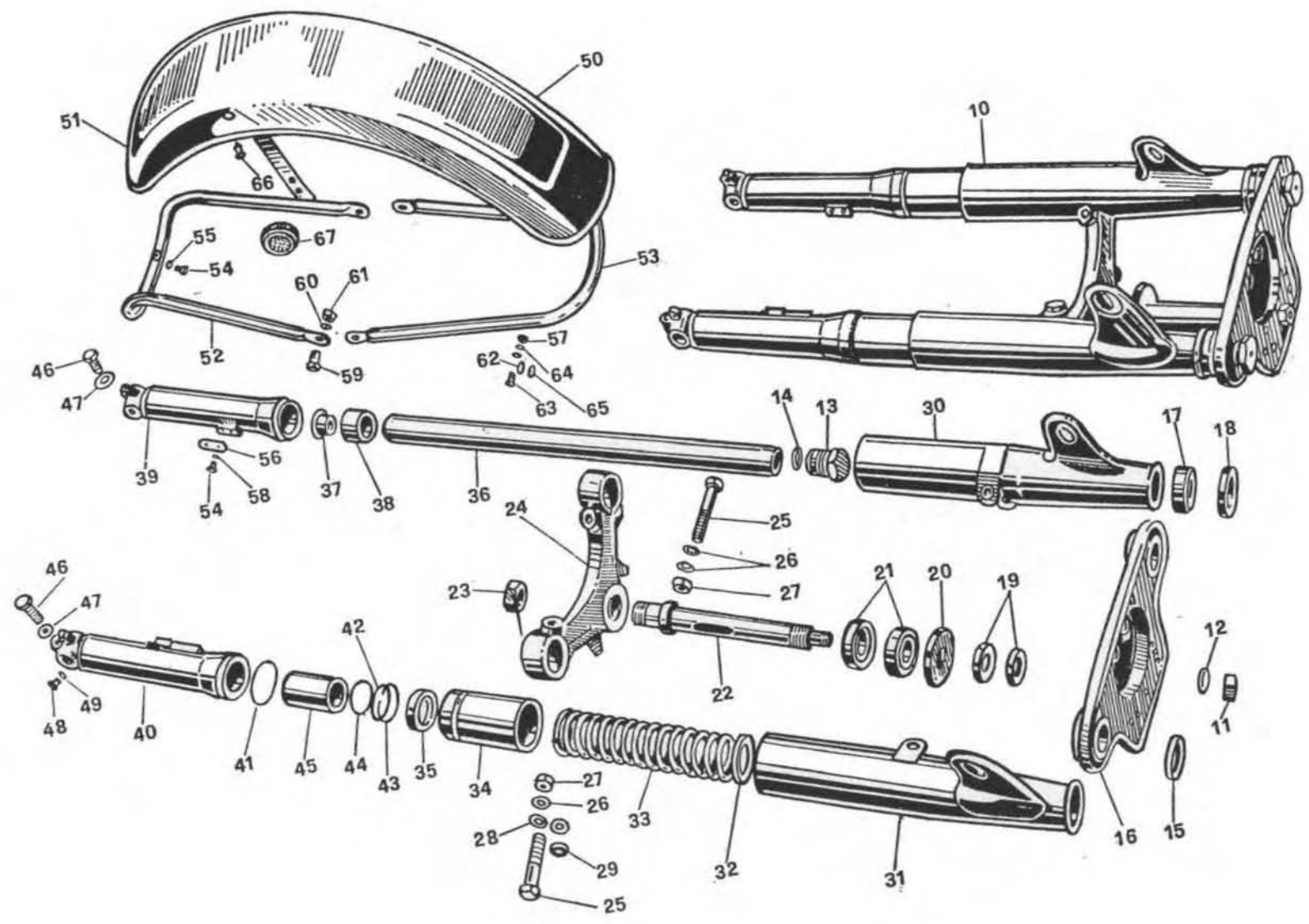
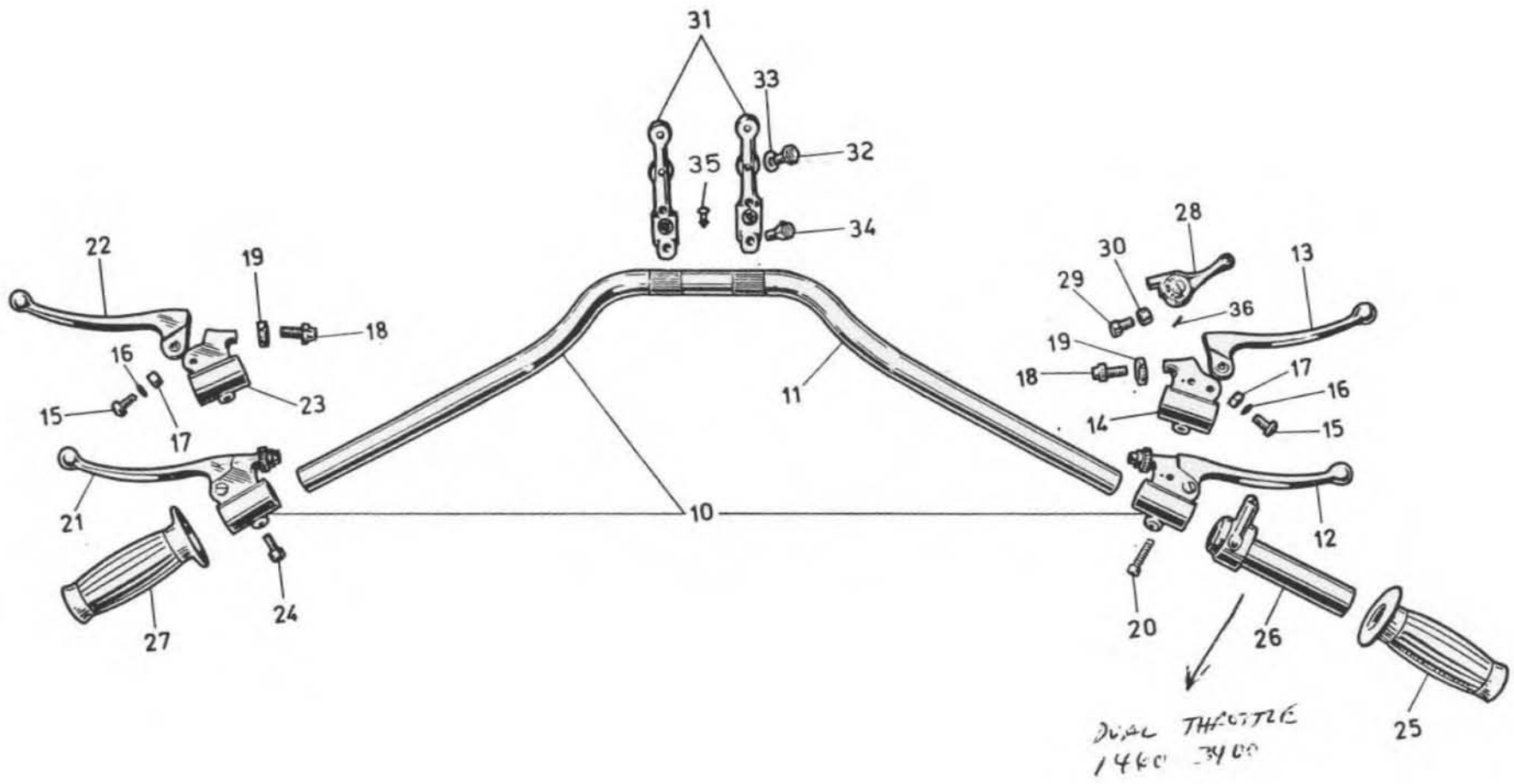




PLATE 13 MODEL: V-750 CC AMBASSADOR
STEERING

GROUP: Handlebar & controls

Figure No.	Order No.	DESCRIPTION	Quantity	Notes
10	12 60 01 01	Handlebar, c/w levers	1	
11	12 60 03 00	Handlebar, bare	1	
12	12 60 54 01	Lever, front brake, complete	1	
13	55 60 56 00	Lever, front brake, bare <i>1260 5603</i>	1	
14	12 60 10 00	Fulcrum, front brake lever	1	
15	98 32 60 17	Screw, front brake and clutch lever	2	
16	95 02 11 06	Washer, spring, lever screws	2	
17	92 60 24 06	Nut, front brake and clutch levers	2	
18	95 79 02 37	Adjuster, cable, front brake and clutch	2	
19	93 76 00 72	Thimble, cable adjuster	2	
20	98 62 03 30	Allen screw, front brake lever fulcrum	1	
21	12 60 55 00	Lever, clutch, complete	1	
22	55 60 57 00 <i>1260 5702</i>	Lever, clutch, bare	1	
23	12 60 19 00	Fulcrum, clutch lever	1	
24	98 62 03 18	Allen screw, clutch lever to fulcrum	1	
25	55 60 35 00	Twist grip, throttle control, r/h	1	
26	55 60 34 00	Twist grip, bare	1	
27	55 60 30 00	Handgrip, rubber l/h handlebar	1	
28	12 11 80 00	Lever, air control	1	
29	98 10 70 17	Screw, air lever to front brake lever fulcrum	1	
30	91 18 07 07	Bushing, air lever screw	1	
31	12 50 02 40	Clamp, handlebar	2	
32	98 02 44 20	Screw, handlebar clamp	4	
33	95 02 11 08	Washer, clamp screws	4	
34	11 50 07 00	Screw, top clamp securing	4	
35	45 40 97 01	Plug, clamps	2	
36	95 51 03 11	Pin, air lever control	1	





**PLATE 14 MODEL: V-750 CC AMBASSADOR
INSTRUMENTS**

**GROUP: Speedometer - Rev-counter - Warning lights -
Connecting cables**

Figure No.	Order No.	DESCRIPTION	Quantity	Notes
10	13 50 15 00	Instrument panel	1	
11	13 50 22 00	Rubber block, instrument panel	3	
12	92 75 00 62	Nut, rubber block securing	1	
13	95 10 01 30	Washer, rubber block	3	
14	92 78 10 61	Nut, panel securing	3	
15	13 76 15 21	Speedometer head	1	
16	90 70 67 46	Gasket, speedometer	2	
17	12 76 04 00	Cable, speedometer	1	
18	12 76 25 00	Speedo drive, complete	1	
19	12 76 33 00	Ferrule, speedo drive	1	
20	12 76 61 00	Gear, speedo drive	1	
21	13 76 72 00	Rev-counter, electronic	1	
22	10 74 49 00	Neutral indicator light, amber	1	
23	10 74 49 02	Indicator, generator and oil pressure, red	2	
24	13 74 20 20	Indicator, parking light, red	1	
25	13 76 40 00	Cable, red and amber indicator lights connection	1	
26	13 76 11 00	Cable, neutral indicator to main cable	1	
27	13 76 12 00	Cable, indicator F and main cable	1	
28	13 76 13 00	Cable, indicator D and main cable	1	
29	13 76 14 00	Cable, two-core, instruments illumination	1	
30	13 76 73 00	Cable, ground, rev-counter	1	
31	98 02 43 10	Screw, grounding	1	
32	13 76 77 00	Cable, connecting, rev counter to contact breaker and rev-counter to coil	4	
33	13 76 49 00	Plate, speedometer	1	
34	13 76 78 00	Plate, rev-counter	1	
35	12 76 16 20	Speedometer, single instrument panel	1	
36	12 50 15 00	Panel, speedometer housing	1	
37	98 62 03 25	Screw, short, panel securing	1	
38	98 62 03 30	Screw, long, panel securing	1	
39	90 70 60 76	Seal ring, indicators	4	

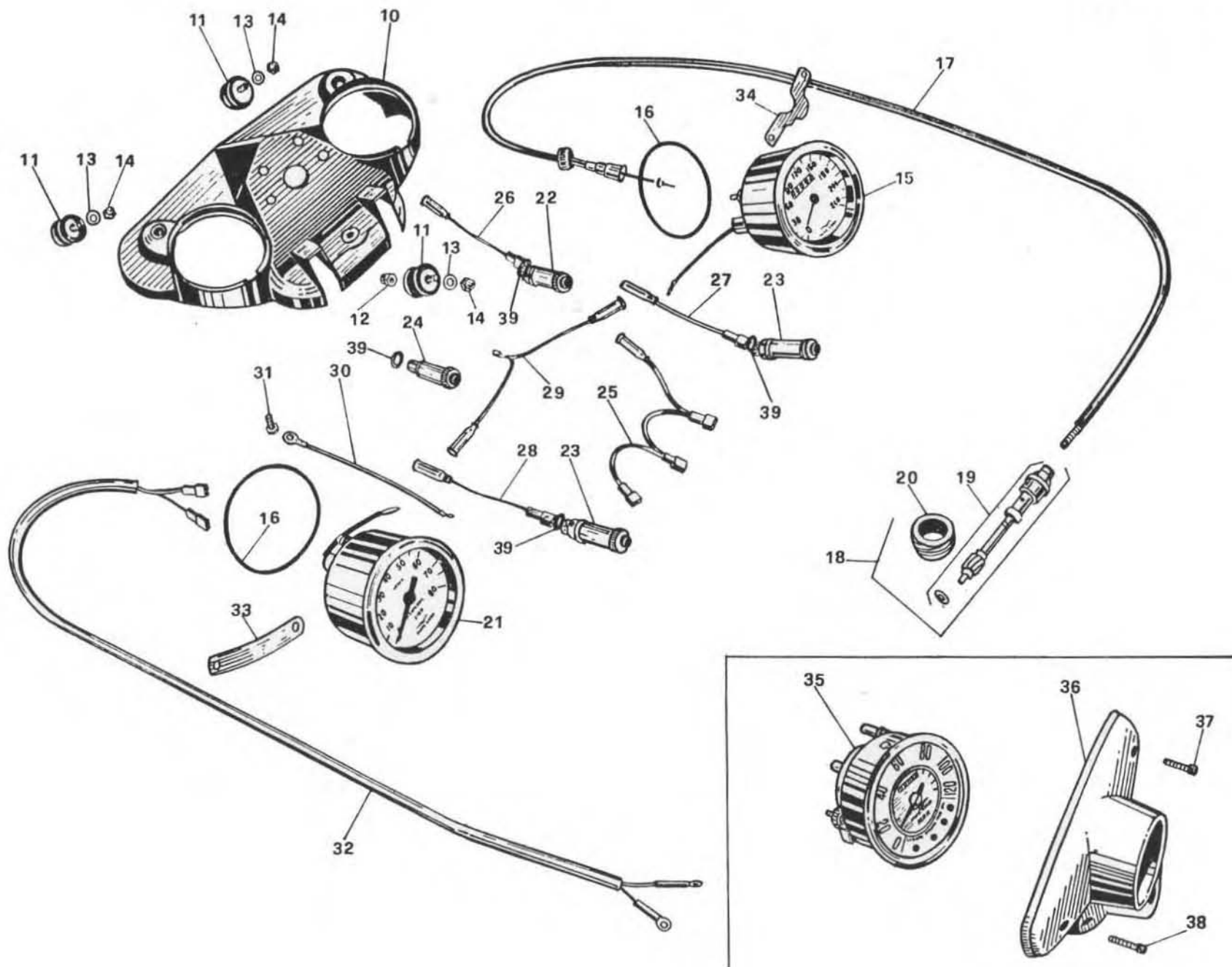




PLATE 15 MODEL: V-750 CC AMBASSADOR

GROUP: Front wheel - Hub - Brake controls

Figure No.	Order No.	DESCRIPTION	Quantity	Notes
10	12 61 02 00	Front wheel, complete	1	
11	12 61 03 00	Front wheel, bare, with bearings	1	
12	12 61 08 00	Rim, front wheel	1	
13	12 61 15 01	Spoke, front wheel, c/w nipples	40	
14	12 61 32 00	Hub, front wheel	1	
15	92 70 01 71	Nut, front wheel spindle	1	
16	95 10 06 28	Washer, front wheel spindle	2	
17	12 61 41 00	Spindle, front wheel	1	
18	12 62 02 00	Cover, rear hub	1	
19	12 62 08 00	Brake shoe, c/w linings	2	
20	12 62 14 00	Lining, brake shoe	2	
21	95 10 07 27	Shim	6 ÷ 12	
22	12 62 63 00	Rubber protection, cable end	1	
23	12 63 81 00	Spring, front brake shoe	2	
24	12 62 32 00	Pin, brake shoes	2	
25	95 10 03 11	Washer, brake shoe pins	2	
26	92 60 22 10	Nut, brake shoe pins	2	
27	12 62 25 00	Cam, front brake shoes	2	
27/1	13 62 54 20	Cable, front brake	1	
28	12 62 53 00	Lever, cam, double action	1	
29	12 62 50 00	Lever, brake cam	1	
30	98 10 60 22	Bolt, lever to cams	2	
31	12 62 66 00	Tie rod, c/w forks for operating levers	1	
32	12 62 67 00	Tie rod	1	
33	12 62 68 00	Fork, tie rod	2	
34	92 60 22 06	Nut, adjusting, tie rod	1	
35	95 78 02 65	Pin, rod to operating lever	2	
36	95 50 02 22	Split pin tie rod to control levers	2	
37	95 12 91 10	Washer, lever pin	2	
38	12 62 15 00	Hub cover, r/h	1	
39	90 40 32 49	Seal, hub	2	Corteco 32.48.7 BA
40	12 61 52 00	Bush, bearing housing	2	
41	92 24 69 22	Bearing, roller	2	22x48x15,5 (RIV 01/02/4210)
42	95 10 07 15	Shim	1	
43	12 61 53 00	Distance piece, bearings	1	

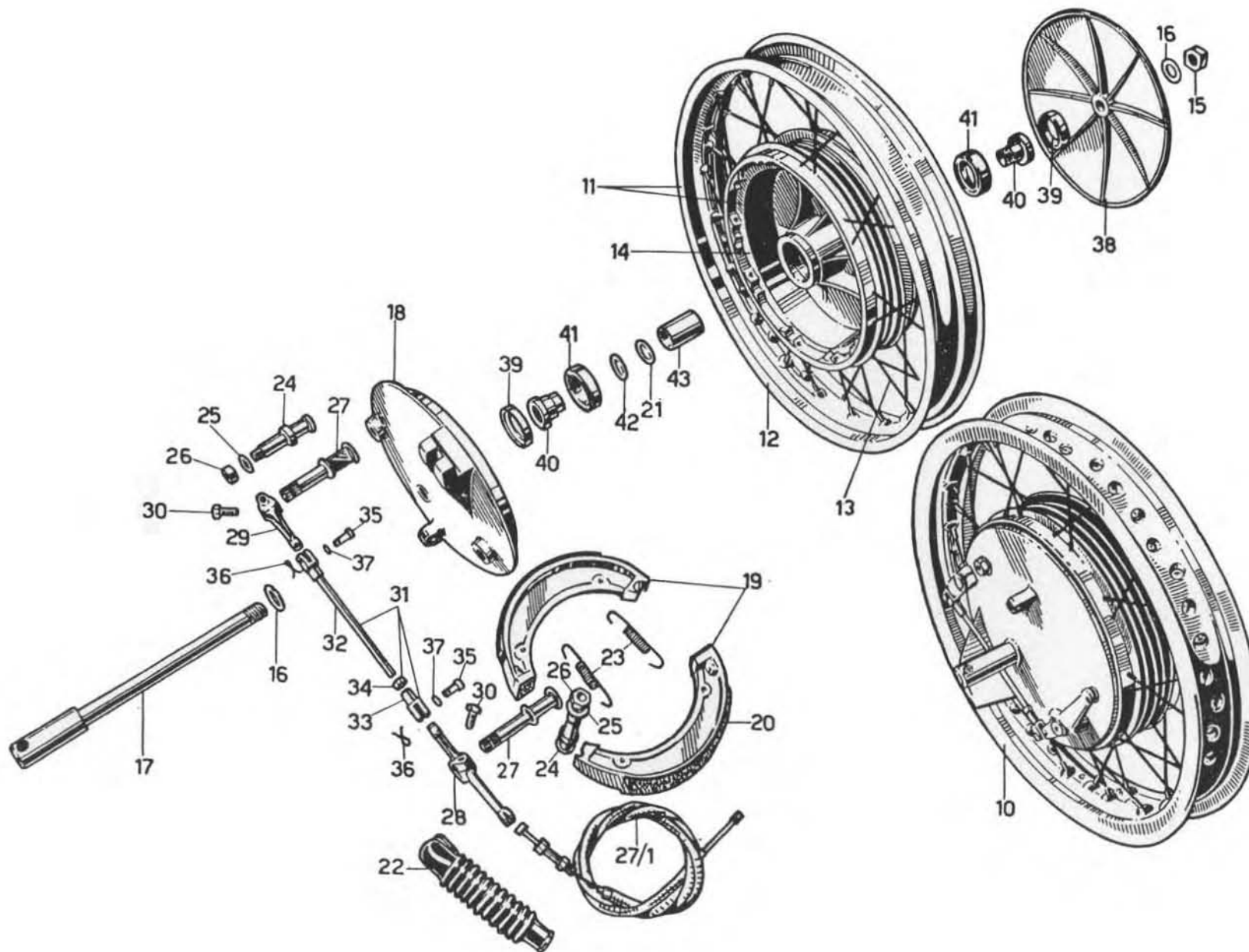




PLATE 16 MODEL: V-750 CC AMBASSADOR

GROUP: Rear wheel - Hub - Rear brake - Control

Figure No.	Order No.	DESCRIPTION	Quantity	Notes
10	12 63 02 01	Rear wheel, complete	1	
11	12 63 05 00	Rear wheel, c/w bearings	1	
12	12 61 08 00	Rim, rear wheel	1	
13	12 61 15 01	Spoke, rear wheel	40	
14	12 63 30 00	Hub, rear wheel	1	
15	92 70 01 71	Nut, rear wheel spindle	1	
16	95 10 06 28	Washer, rear wheel spindle	2	
17	12 63 33 00	Spindle, rear wheel	1	
18	12 63 41 00	Spacer, rear wheel spindle	1	
19	12 63 52 01	Cover, rear hub	1	
20	12 63 74 00	Shoe, rear brake, c/w linings and plates	2	
21	12 62 14 00	Lining, rear brake shoes	2	
22	12 63 82 00	Spring, rear brake shoes	2	
23	12 63 62 01	Pin, rear brake shoes	1	
24	95 10 05 21	Washer, rear brake shoes	1	
25	92 70 11 48	Nut, shoe pin	1	
26	12 63 66 00	Tie rod, rear hub cover	1	
27	95 02 11 10	Washer, rear hub cover rod	3	
28	92 60 22 10	Nut, rear hub cover rod	3	
29	98 11 00 20	Screw, tie rod securing to rear fork	1	
30	98 05 25 50	Screw, hub cover securing	1	
31	12 62 25 00	Cam, rear shoes control	1	
32	12 63 96 01	Lever, cam operating	1	
33	98 10 60 22	Screw, lever to cam	1	
34	95 73 02 60	Thumb screw, rear brake adjusting rod	1	
35	95 71 63 67	Roller, lever, on rear hub cover	1	
36	95 50 02 22	Split pin, tie rod to shoe pin	1	
37	95 10 01 37	Washer, tie rod to lever	1	
38	12 67 60 01	Tie rod, rear brake control	1	
39	12 67 54 05	Spindle, c/w lever	1	
40	12 67 70 05	Lever, rear brake control	1	
41	98 05 44 25	Screw, rear brake lever to spindle	1	
42	12 67 65 05	Lever, rear brake spindle	1	
43	98 05 23 30	Screw, lever to spindle	1	
44	95 02 11 06	Washer, lever securing screw	1	
45	92 60 22 06	Nut, lever securing screw to pin	1	
46	90 27 10 14	Circlip, pin retaining	1	
47	92 60 50 08	Nut, central body securing bolt	6	Seeger 14 e
48	95 10 12 31	Washer, central body bolt	6	
49	98 10 80 38	Bolt, central body securing	6	
50	12 63 32 00	Central body	1	
51	90 40 32 49	Seal	2	Corteco 32.48.77 BA

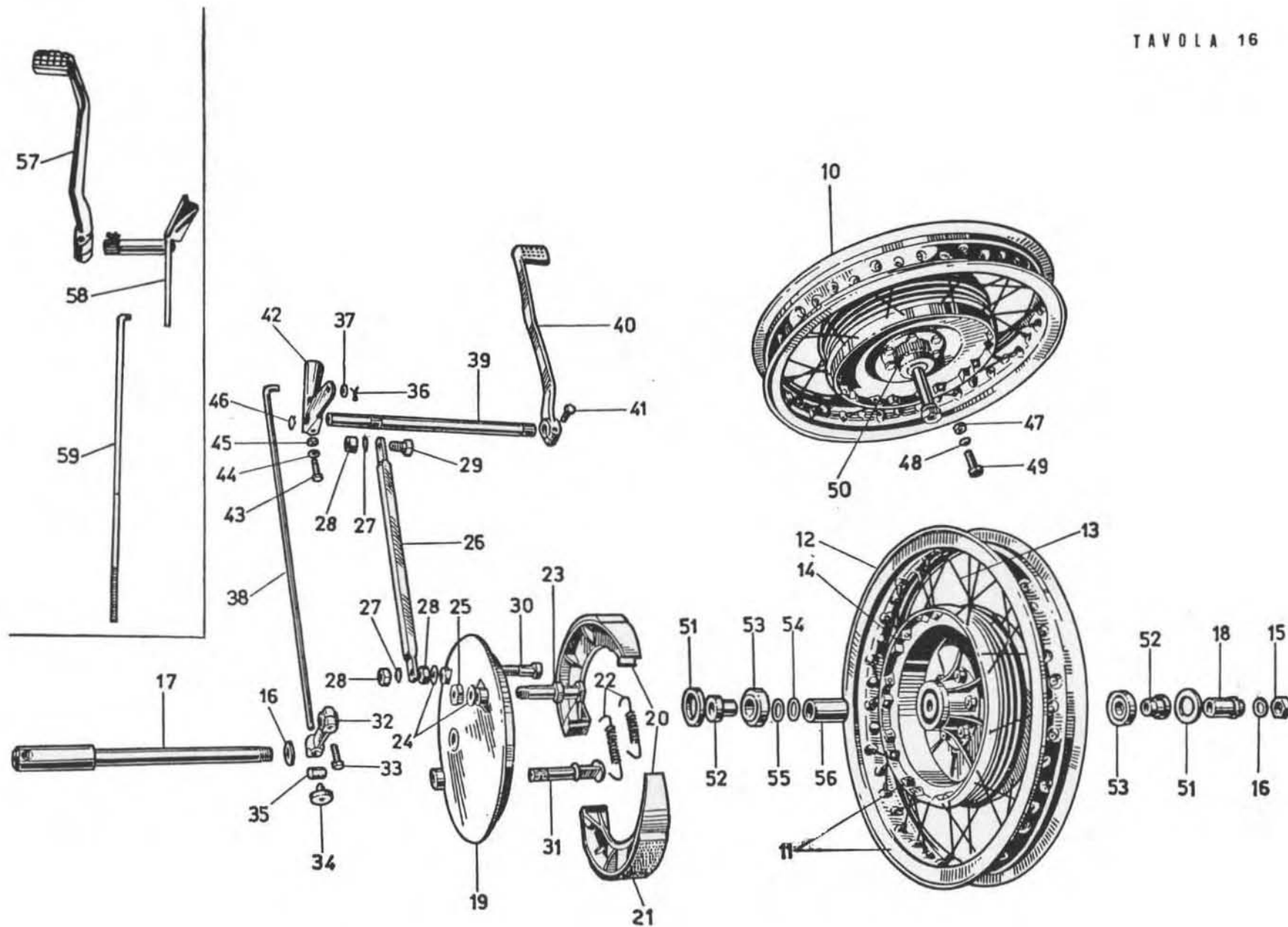
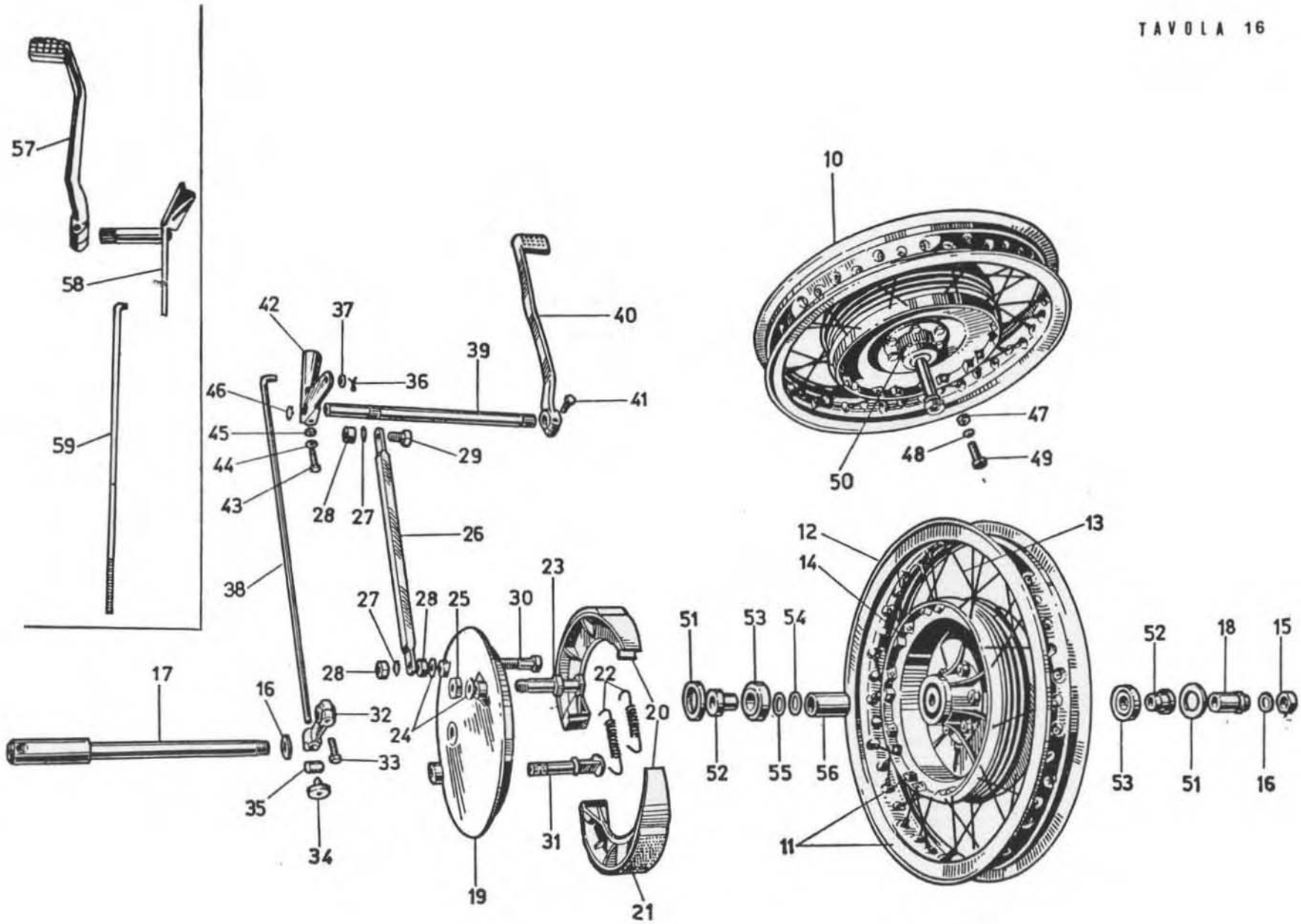




PLATE 16 MODEL: V-750 CC AMBASSADOR

GROUP: Rear wheel - Hub - Rear bake - Control

Figure No.	Order No.	DESCRIPTION	Quantity	Notes
52	12 61 52 00	Housing, taper roller bearing	2	
53	92 24 69 22	Bearing, taper roller, hub	2	22x48x15.5 (RIV01-02-4210)
54	95 10 07 15	Washer, bearing-spacer	2	
55	12 63 40 00	Washer	6-12	
58	95 10 07 27	Spacer, hub bearings	1	
FOR MACHINES WITH REAR BRAKE PEDAL ON L/H SIDE :				
57	12 67 70 00	Lever, rear brake	1	
58	12 67 65 00	Spindle, c/w lever	1	
59	12 67 60 00	Tie rod, rear brake	1	

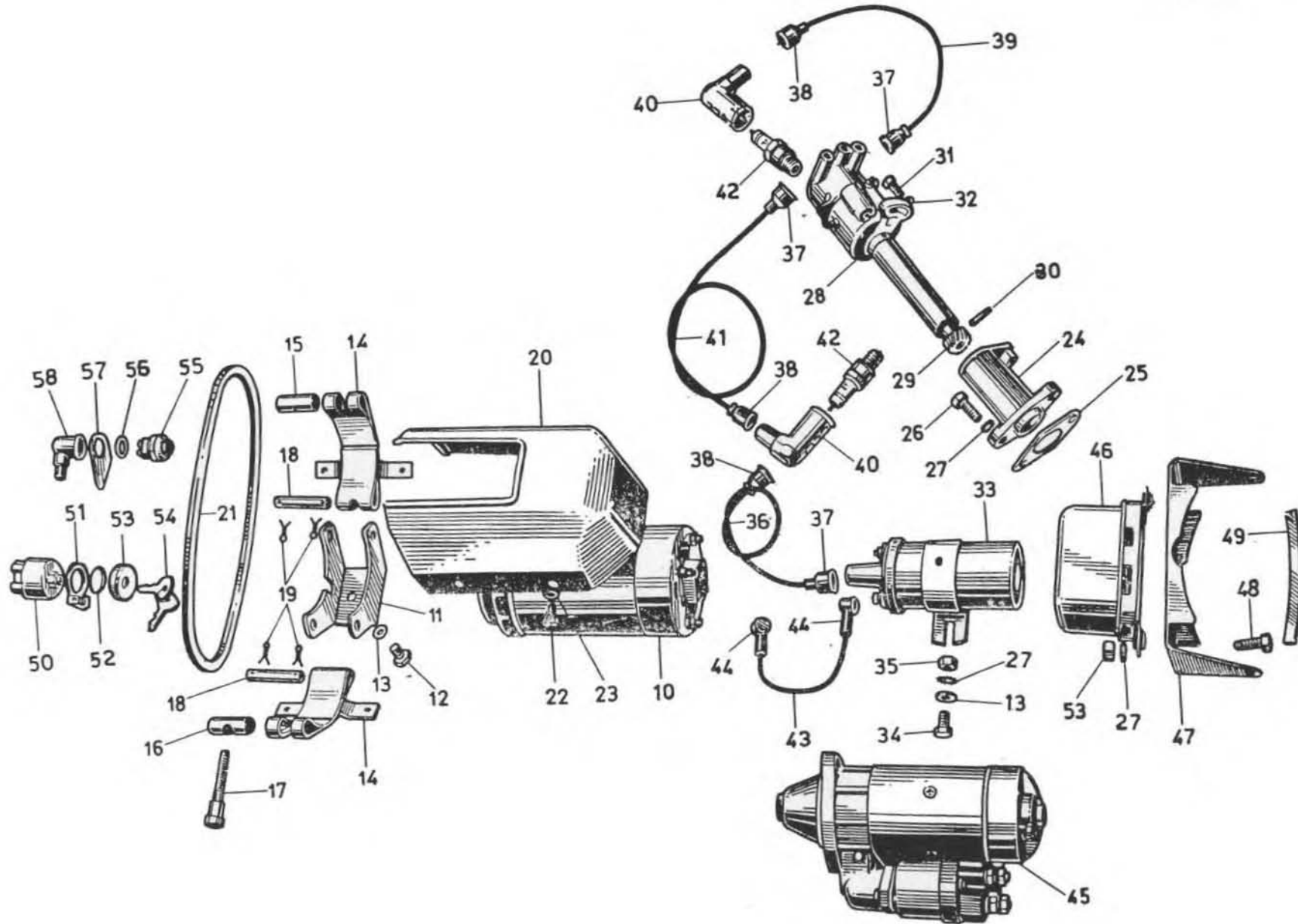




**PLATE 17 MODEL: V-750 CC AMBASSADOR
ELECTRICAL EQUIPMENT**

GROUP: Ignition and lighting

Figure No.	Order No.	DESCRIPTION	Quantity	Notes
10	12 70 02 00	Generator (Marelli DN 62M)	1	
	12 70 02 05	Generator (Bosch G 14 V - 25 A - 23)	1	
11	12 70 03 00	Bracket, generator	1	
12	98 02 44 20	Screw, generator bracket	2	
13	95 02 11 08	Washer, generator bracket screw, coil and horn screws	5	
14	12 70 07 00	Band, generator	2	
15	95 71 62 80	Roller, band, threaded	1	
16	95 71 63 80	Roller, band, unthreaded	1	
17	99 10 51 27	Screw, band securing	1	
18	12 70 09 00	Pin, band securing	2	
19	95 50 02 22	Split pin, band securing pin	4	
20	12 70 06 10	Cover, generator	1	
21	12 70 25 00	Belt (Pirelli 60404/A)	1	
	12 70 25 05	Belt (Pirelli 10 x 8 x 754)		
22	98 05 43 12	Screw, generator cover	4	
23	95 02 11 06	Washer, generator cover and starter button screws	5	
24	12 71 57 00	Bracket, regulator	1	
25	12 71 59 00	Gasket, distributor bracket	1	
26	98 05 44 25	Screw, distributor bracket	1	
27	95 10 12 31	Washer, regulator bracket, coil and distributor bracket screws	6	
28	12 71 54 00	Distributor (Marelli S 123 A)	1	
29	12 71 62 00	Gear, distributor	1	
30	95 51 03 18	Pin, distributor gear fixing	1	
31	98 10 60 21	Screw, distributor	1	
32	95 10 01 37	Washer, distributor screw	1	
33	12 71 65 00	Coil, ignition (Marelli BE 200 D)	1	
	26 71 65 04	Coil, ignition (Bosch 0221.114.006-E12V)		
34	98 02 44 12	Screw, coil securing	2	
35	92 60 22 08	Nut, regulator to bracket and coil and horn securing screws	5	
36	12 71 78 01	H.T. lead, distributor to coil	1	
37	12 71 76 00	Cap, h.t. coil	1	
38	45 71 76 00	Cap, distributor-coil-plug and oil pressure solenoid leads	4	
39	12 71 84 00	H.T. lead, distributor to r/h plug	1	
40	45 71 74 50	Cap, spark plug	2	
41	12 71 86 00	H.T. lead, distributor to l/h plug	1	
42	55 71 70 00	Spark plug (n. 225 Bosch-Marelli scale or equivalent)	2	
43	12 71 93 00	L.T. lead, distributor to coil	1	
44	12 70 29 00	Cap, small	2	
45	12 73 07 01	Starter motor (Marelli MT 40 HA-0,7 HP-12 V), with remote solenoid	1	
	12 73 07 05	Starter motor (Bosch 0.5 HP - 12 V)		
46	12 70 38 01	Regulator (Marelli IR 50 BA)	1	
	12 70 38 05	Regulator (Bosch VA 14 V - 25 A)		



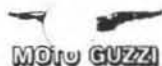


PLATE 17 MODEL: **V-750 CC AMBASSADOR**
ELECTRICAL EQUIPMENT

GROUP: **Ignition and lighting**

Figure No.	Order No.	DESCRIPTION	Quantity	Notes
47	12 70 41 00	Bracket, regulator	1	
48	98 02 44 22	Screw, regulator bracket	2	
49	12 70 42 00	Washer, regulator bracket	1	
50	12 73 53 00	Switch, ignition (Marelli - 25 Q - Q 161 C)	1	
51	12 73 57 50	Cover, ignition switch	1	
52	90 70 62 52	Washer, ignition switch	1	
53	12 73 54 00	Lock ring, ignition switch	1	
54	12 73 55 00	Key, ignition switch	2	when ordering indicate key number
55	26 73 50 01	Starter button	1	
56	90 70 61 63	Washer, starter button	1	
57	12 73 49 00	Plate, starter button	1	
58	12 73 51 00	Cap, button protection	1	
59	92 60 22 06	Nut, starter button plate	1	

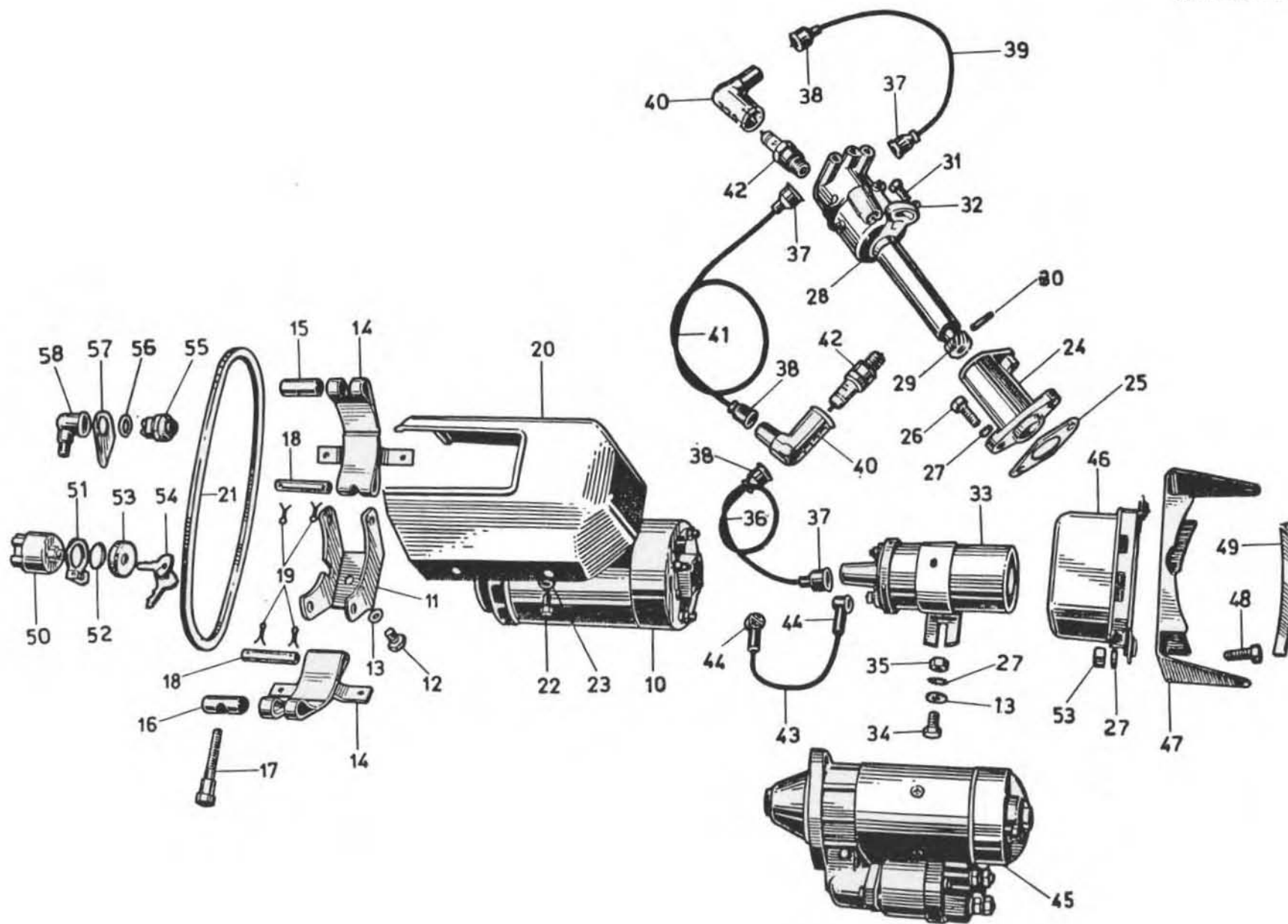




PLATE 18 MODEL: V-750 CC AMBASSADOR
ELECTRICAL EQUIPMENT

GROUP: Headlight - Battery - Horn - Tail light -
Control cables

Figure No.	Order No.	DESCRIPTION	Quantity	Notes
10	12 74 05 21	Headlight, c/w switch	1	CEV mod. 4506
11	12 74 80 01	Switch, light, c/w cables	1	
12	12 74 37 00	Horn (Marelli T 12 DE/F)	1	
13	98 82 04 20	Screw, horn securing	1	
14	92 60 22 08	Nut, horn securing screw	1	
15	95 02 11 08	Washer, horn securing screw	1	
16	25 70 45 00	Battery (12 V - 32 Ah)	1	
17	12 70 56 00	Gasket, battery	1	
18	12 70 46 01	Frame, top battery securing	1	
19	12 70 55 00	Stud, top frame securing	2	
20	92 60 22 06	Nut, battery rame and number plate stud	5	
21	95 10 01 30	Washer, battery and number plate stud	8	
22	12 70 52 20	Cover, battery, r/h	1	
22/1	13 70 52 20	Cover, battery, finned, r/h	1	
23	12 70 54 20	Cover, battery, l/h	1	
24	13 91 78 00	Decal, V-750 Ambassador (Cover: White)	2	
	13 91 78 01	Decal, V-750 Ambassador (Cover: Black - Red)		
24/1	13 70 54 20	Cover, battery, l/h, finned	1	
25	12 43 30 00	Rubber ring	1	
26	13 70 66 00	Thumb screw, cover closing	2	
27	13 70 73 00	Pad, rubber	2	
28	91 55 11 31	Ring, rubber on linking plate	2	
29	91 55 10 81	Grommet, horn	1	
30	12 70 68 00	Grommet	4	
31	55 74 11 00	Stop cutout	1	
32	98 30 50 17	Screw, stop cutout	2	
33	95 10 00 55	Washer, stop cutout screws	2	
34	92 70 00 50	Nut, stop cutout screws	2	
35	12 47 49 21	Number plate c/w tail light	1	
36	93 45 02 24	Bulb, tail light (20 W - 12 V)	1	
37	98 02 43 10	Screw, bottom, number plate	3	
38	12 71 76 00	Cap, oil pressure solenoid	1	
39	26 70 67 00	Cap, battery cable	1	
40	12 70 30 00	Cap, large	2	
41	25 70 71 00	Cap	1	
42	12 74 71 02	Main cable assembly, Marelli equipment	1	
43	12 74 72 00	Cable assembly, instrument panel to headlight	1	
44	12 74 77 00	Cable, grounding	1	
45	12 74 74 20	Connections, internal, headlight	1	
46	12 74 75 01	Cable, stop lamp to stop cutout	1	
47	12 74 79 00	Cable, from battery	1	
48	12 70 03 21	Rim, headlight	1	
49	12 74 04 21	Sealed beam unit	1	
50	12 74 17 21	Rim, tail lamp	1	
51	13 91 78 20	Decal, V-750 Ambassador (Cover: White)	2	
	13 91 78 21	Decal, V-750 Ambassador (Cover: Black - Red)		

TAVOLA 18

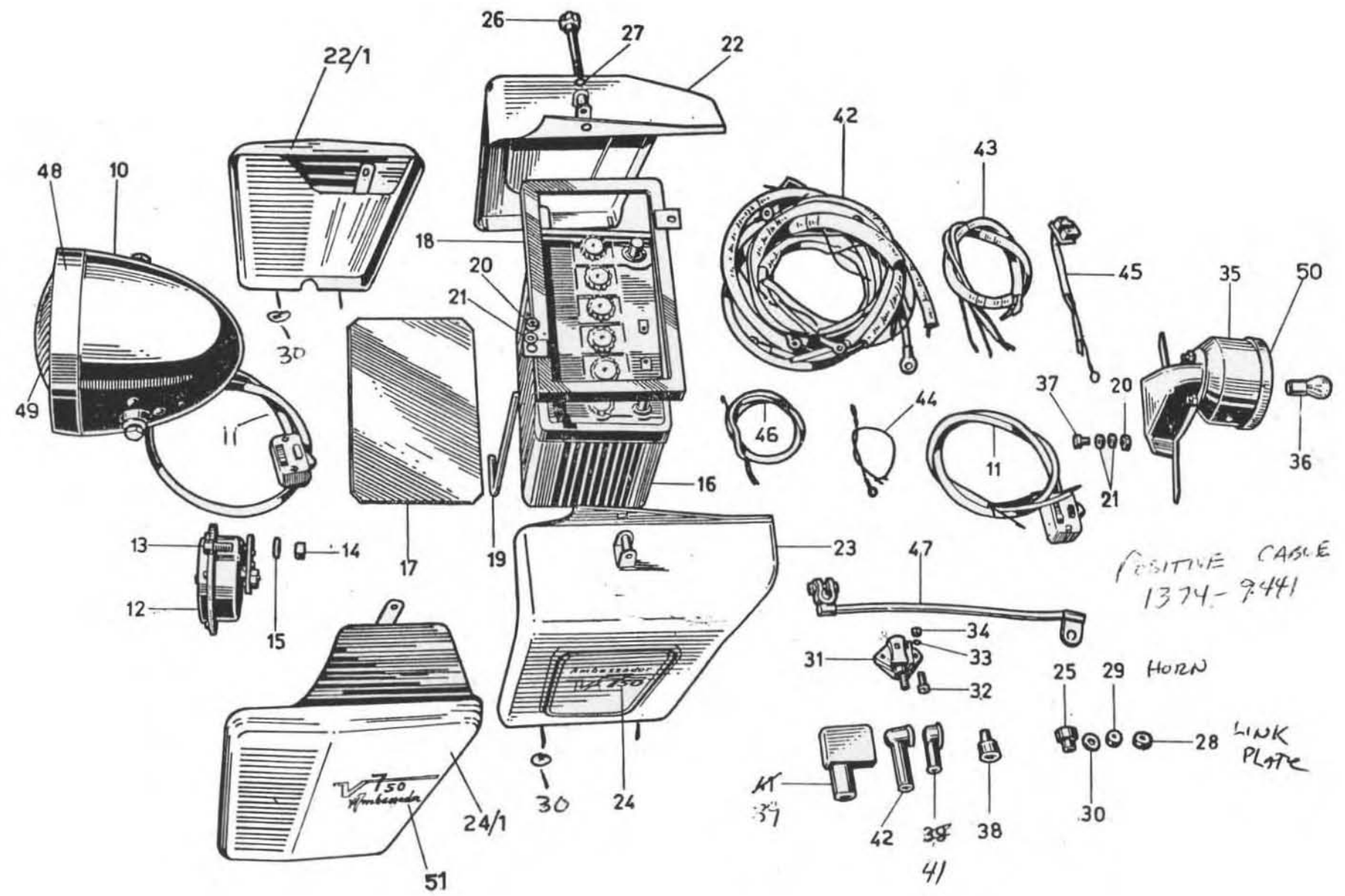




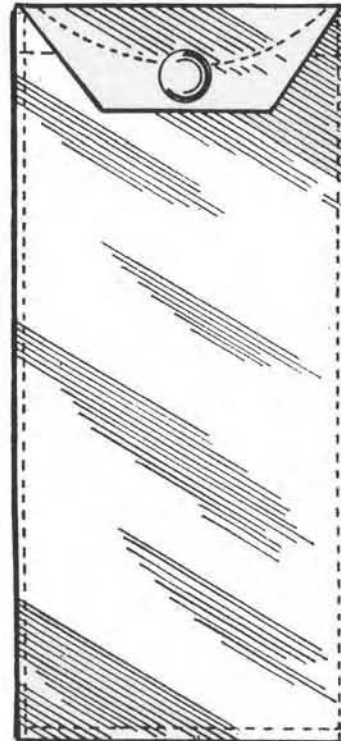
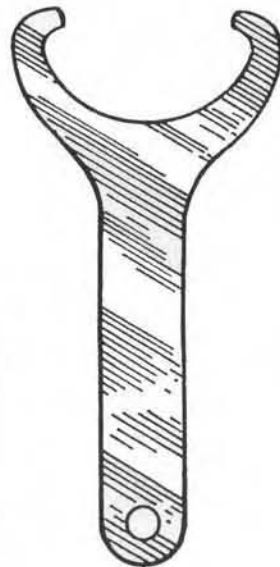
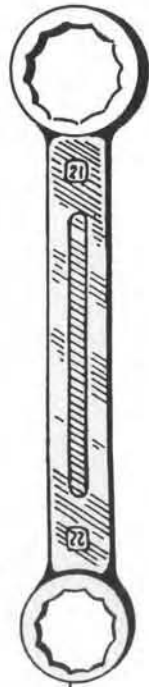
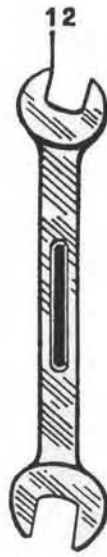
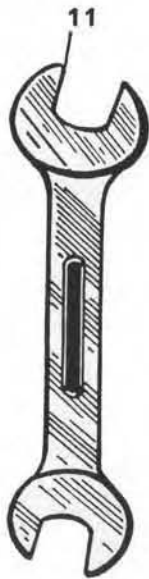
PLATE 19 MODEL: V-750 AMBASSADOR

GROUP: Tool kit and gasket sets

Figure No.	Order No.	DESCRIPTION					Quantity	Notes
10	55 90 19 00	Wrench, box 19/21/22 mm					1	
11	12 90 10 00	Wrench, open ended 17/19 mm					1	
12	10 90 06 00	Wrench, open ended 13/14 mm					1	
13	12 90 08 00	Wrench, open ended 10/11 mm					1	
14	12 90 03 00	Wrench, open ended 7/8 mm					1	
15	55 90 04 00	Wrench, open ended, tappet adjusting					1	
16	55 90 24 00	Allen key, 5 hex					1	
17	25 90 55 00	Pliers, universal					1	
18	55 90 50 00	Screwdriver					1	
19	12 90 11 01	Wrench, ring, double 22/27 mm					1	
20	12 90 90 90	Feeler gauge					1	
21	09 90 51 00	Screwdriver					1	
22	12 91 27 00	Wrench, damper adjusting tool					1	
23	12 91 45 00	Tool bag					1	
24		Instruction booklet					1	
A	13 99 90 00	Gasket set	12 02 37 00	13 02 08 00	12 01 18 00		1	
			12 00 12 00	12 00 36 00	12 15 91 00		1	
			12 15 32 00	12 00 76 00	12 20 11 00		1	
			12 20 15 00	12 20 77 00	12 35 26 00		1	
			12 35 29 00	12 35 07 00	12 71 59 00		1	
B	12 99 95 00	Seal set	90 40 38 50	90 40 53 68	90 40 25 35		1	
			90 40 70 85	90 40 35 50	90 40 30 40		1	
			90 40 38 50	90 40 32 49			2	



TAVOLA 19



19

20

21

22

23

24



PLATE 1/A MODEL: V-750 AMBASSADOR

GROUP: Head and tail light

Figure No.	Order No.	DESCRIPTION	Quantity	Notes Pagani (CEV* Order No.)
10	12 74 05 21	Headlight complete	1	4506
11	12 74 03 21	Headlight rim	1	02768
12	55 74 03 28	Rim fixing screw	1	3195
13	12 74 04 20	Gasket	1	10649
14	12 74 03 20	Sealed beam unit	1	02765
15	12 76 86 20	Plug adapter	1	02787
16	12 74 30 22	Bottom terminal without fuses	1	02931
17	12 74 30 23	Top terminal without fuses	1	02929
18	12 74 25 00	Fuses 25 Ampère	9	10570/25
19	12 74 04 22	Headlight body	1	02921
20	12 74 04 07	Spheric washer	2	10548
21	12 74 04 08	External toothed washer	2	10656
22	12 74 04 09	Headlight fixing bolt	2	3395
23	12 74 09 20	Tail lamp without bulb	1	9313.4
24	12 73 99 20	Lens retaining screw	2	3397
25	12 74 17 20	Reflex reflector lens	1	7266
26	12 74 17 21	Gasket	1	4292
27	12 74 17 22	Housing with cables	1	02792.4
28	12 74 17 23	White window gasket	1	6704
29	12 74 17 24	White window	1	7091
30	12 74 17 25	Body mounting gasket	1	10447
31	12 74 17 26	Circlips	2	3444
32	12 74 17 27	Nut	2	3615
33	12 74 17 28	Rear rubber cup	1	10536

1294 1720

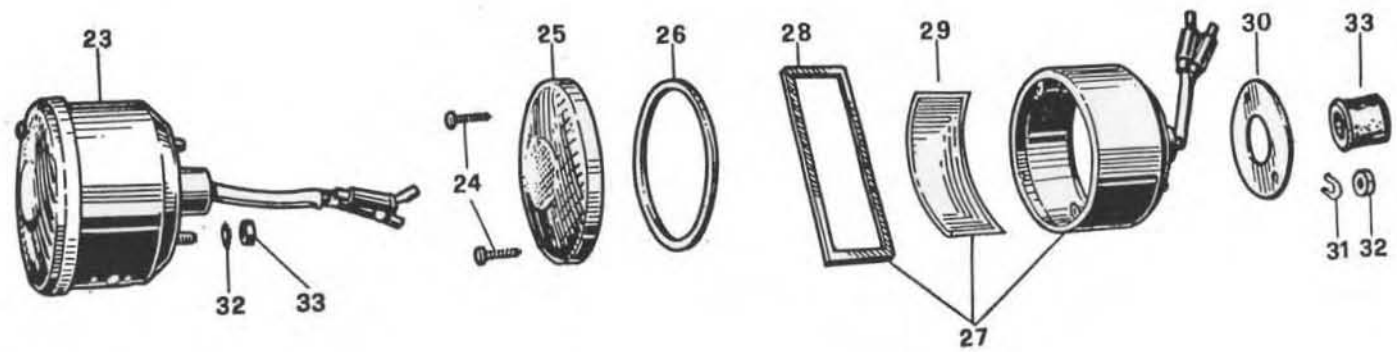
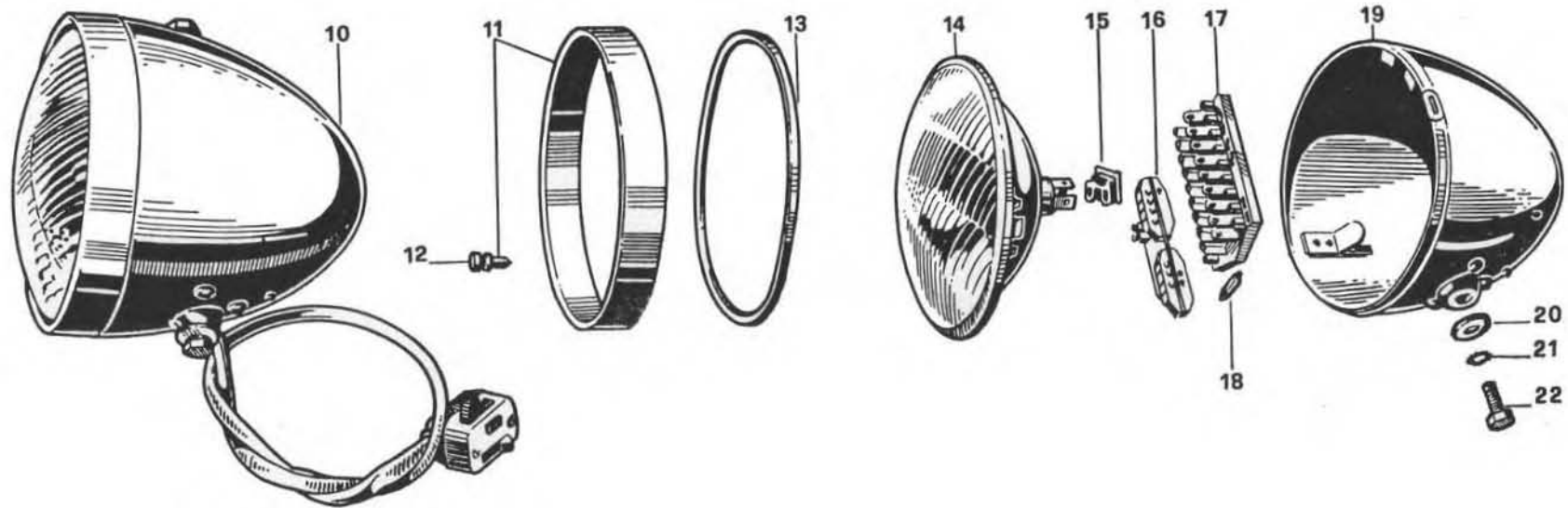
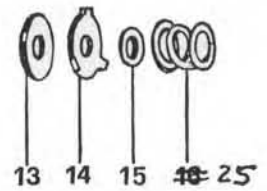
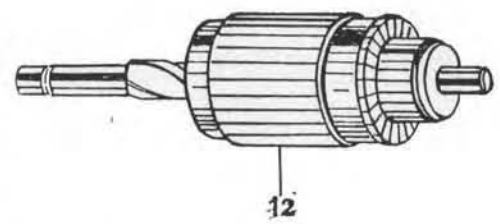
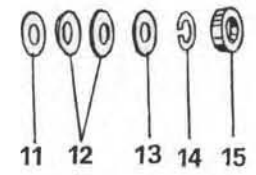
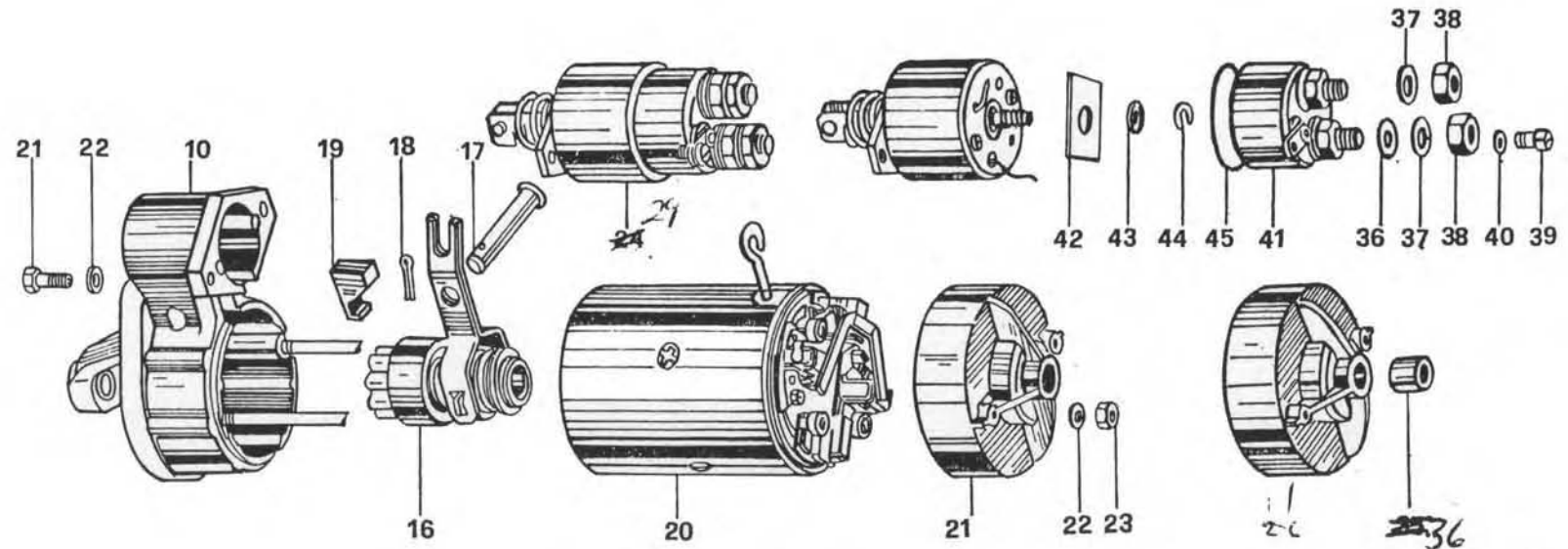




PLATE 2/A MODEL: V-750 AMBASSADOR

GROUP: Starter motor

Figure No.	Order No.	DESCRIPTION	Quantity	Notes Marelli Order No.
—	12 73 07 00	Starter motor, complete MT 40 H	—	63 214 008
—	12 73 07 01	Starter motor, complete MT 40 HA	—	63 214 071
10	12 73 07 11	Cover, starting ratchet, MT 40 H	1	72 302 703
	13 73 07 11	Cover, starting ratchet, MT 4L HA	1	72 302 703
11	25 73 07 12	Adjusting washer (0,3 mm.)	as required	95 210 167
	25 73 07 15	Adjusting washer (0,5 mm.)	as required	95 210 168
12	12 73 07 13	Cupped washer	2	95 215 111
13	25 73 07 15	Fiat washer	1	95 210 168
14	12 73 07 54	Tension washer	1	95 106 014
15	12 73 07 17	Lock ring	1	72 302 610
16	12 73 07 16	Starting ratchet assembly	1	72 302 101
17	12 73 07 30	Pin, lever	1	72 294 403
18	12 73 07 35	Cotter pin, lever pin retaining	1	90 025 261
19	25 73 07 28	Retaining block	1	90 025 261
20	12 73 07 21	Casing with coil field assembly	1	70 266 704
21	12 73 07 41	Armature	1	72 301 801
22	25 73 07 43	Washer	1	90 067 352
23	25 73 07 44	Toothed washer	1	74 353 831
24	12 73 07 42	Shim	2	95 005 143
25	25 73 07 45	Spring	1	95 123 007
26	12 73 07 46	End cover, MT 40 H	1	70 266 909
	13 73 07 46	End cover, MT 40 HA	1	72 308 102
27	12 73 07 23	Spring washer	2	90 024 006
28	12 73 07 15	Securing nut	2	90 001 061
29	12 73 07 26	Solenoid IE 13 DA (for starter MT 40 H)	1	63 631 347
	13 73 07 26	Solenoid IE 13 DB (for starter MT 40 HA)	1	63 631 348
30	12 73 07 49	Screw, solenoid securing	2	90 111 053
31	12 73 07 51	Starter ratchet cover bush	1	95 067 113
32	12 73 07 55	Stud, ratchet cover	2	95 101 011
33	12 73 07 56	Coil field assembly	1	72 301 701
34	12 73 07 72	Insulating rubber	1	74 354 321
35	12 73 07 78	Coil terminal	1	74 354 131
36	12 73 07 57	Pole shoe	4	74 354 121
37	25 73 07 58	Screw, pole shoe securing	4	90 17 115
38	25 73 07 71	Brush older	1	74 354 041
39	12 73 07 47	Brush MT 40 H	4	74 401 630
	13 73 07 47	Brush MT 40 HA	4	74 401 610
40	25 73 07 48	Spring, brush	4	74 401 480
41	12 73 07 36	Nut, coil terminal securing	1	90 001 051
42	12 73 07 60	Spring washer	1	90 024 005
43	25 73 07 51	End cover bush	1	95 067 113
44	12 73 07 64	Fiat washer, solenoid	1	90 059 031
45	12 73 07 63	Spring washer, solenoid	2	90 024 008



1273 0751
BUSH

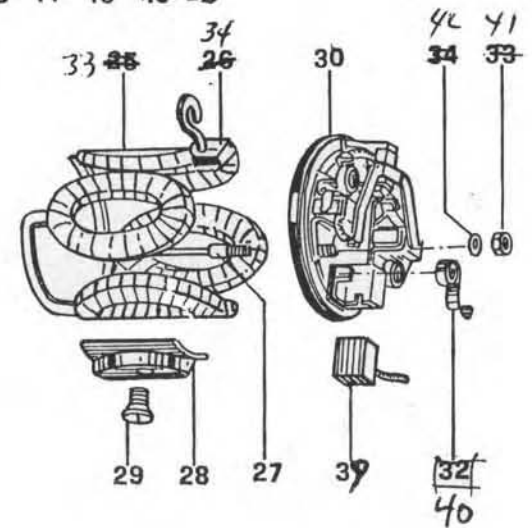
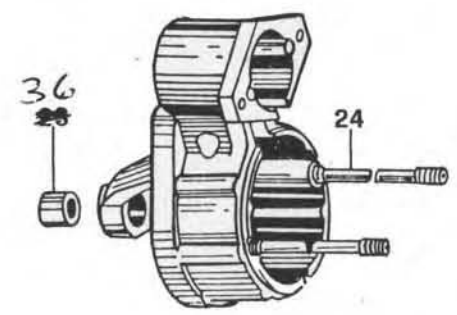




PLATE 2/A MODEL: V-750 AMBASSADOR

GROUP: Starter motor

Figure No.	Order No.	DESCRIPTION	Quantity	Notes Marelli Order No.
46	12 73 07 40	Nut, main terminal	2	90 003 031
47	12 73 07 65	Screw, terminal 50 c	2	90 038 131
48	12 73 07 23	Spring washer	2	90 024 006
49	12 73 07 50	Cap for solenoid IE 13 DA (starter MT 40 H)	1	72 304 702
	13 73 07 50	Cap for solenoid IE 13 DB (starter MT 40 HA)	1	72 304 705
50	12 73 07 58	Moveng contact	7	72 293 71
51	12 73 07 59	Cupped washer	1	IE 9/904 - 1
52	13 72 07 61	Spring washer	1	95 088 104
53	13 73 07 79	Rubber ring	1	OR

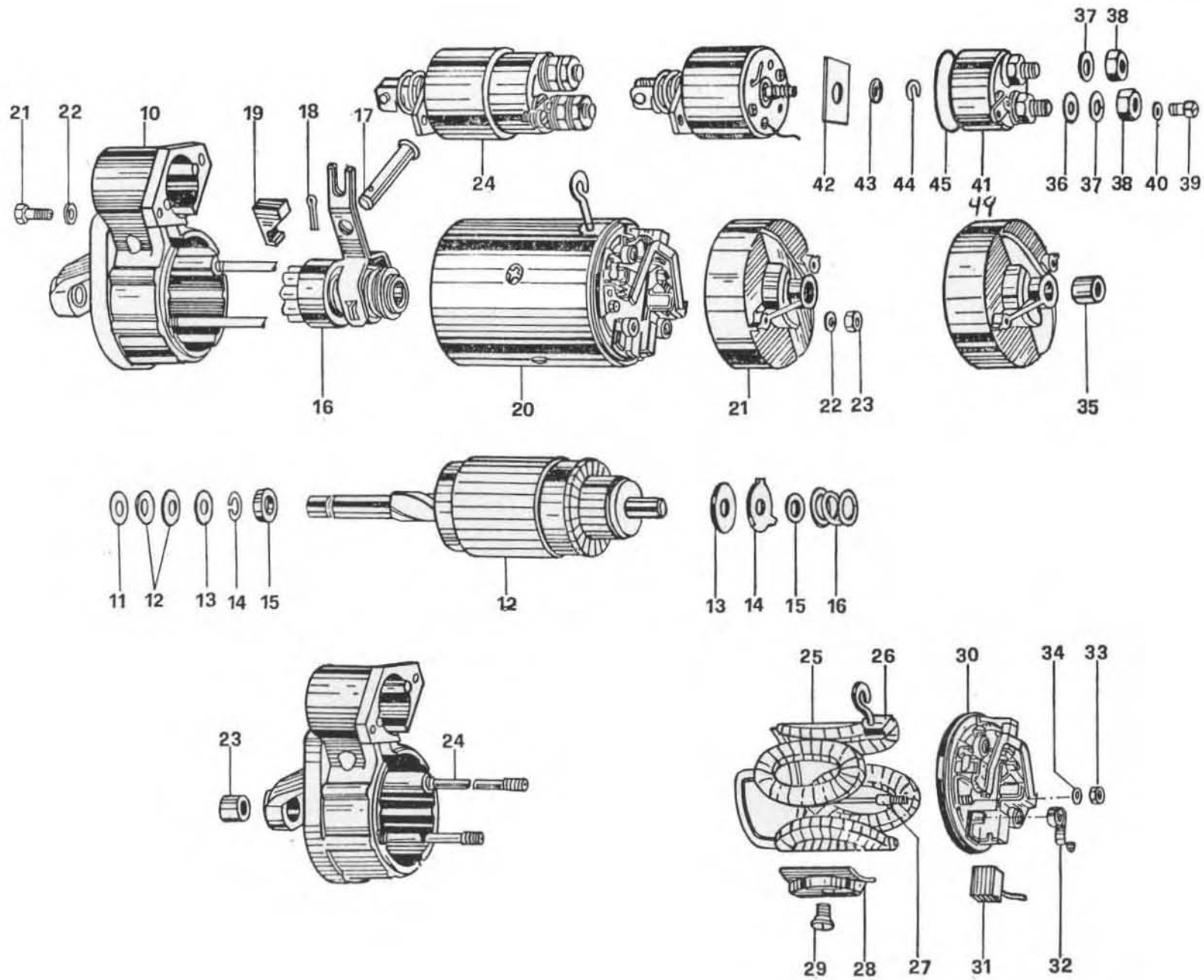




PLATE 3/A MODEL: V-750 AMBASSADOR

GROUP: Distributor

Figure No.	Order No.	DESCRIPTION	Quantity	Notes Marelli Order No.
—	12 71 54 00	Distributor S 123 A, complete	1	61012301
1	12 71 54 10	Housing with bushings	1	70411204
2	12 71 54 11	Bakelite washer	2	95012194
3	12 71 54 12	Flat washer	1	95005214
4	12 71 54 13	Automatic advance ass. y	1	71023702
5	12 71 54 14	Spacer	1	95210156
6	12 71 54 15	Shim (0,1 mm.)	as required	90059111
	12 71 54 16	Shim (0,2 mm.)	as required	90059121
	12 71 54 17	Shim (0,5 mm.)	as required	90059131
7	12 71 54 18	Driving pinion 1271 6203	1	71093810
8	12 71 54 19	Pinion securing peg	1	90027061
9	12 71 54 20	Contact breaker unit, complete	1	70412101
10	12 71 54 21	Condensor CE 29 D	1	56181103
11	12 73 07 50	Spring washer	1	90024005
12	12 71 54 23	Condensor fixing screw	1	90028031
13	12 71 54 24	Cap securing spring	2	74327871
14	12 71 54 25	Cap spring fixing screw	2	95131104
15	12 71 54 26	Terminal bolt	1	91215101
16	12 71 54 27	Insulating plate	1	91024001
17	12 71 54 28	Insulating block	1	91023002
18	12 71 54 29	Flat washer	2	90058352
19	12 73 07 23	Spring washer	2	90024006
20	12 71 54 30	Terminal nut	2	95055026
21	12 71 54 31	Distributor rotor	1	70189503
22	12 71 54 32	Distributor cap	1	71037202
23	12 71 54 33	Carbon brush	1	91066001
24	12 71 54 34	Seal	1	95207109
24/1	12 71 54 35	Shaft	1	71023802
25	12 71 54 36	Advance weight	2	71090010
26	12 71 54 37	Ball retaining spring	1	95226115
27	12 71 54 38	Ball	1	95163101
28	12 71 54 39	Cam	1	71093301
29	12 71 54 40	Cam retaining screw	1	95114202
30	12 71 54 41	Cam felt pad	1	95200127
31	12 71 54 42	Weight spring, 8 coils	1	95128044
	12 71 54 43	Weight spring, 9 coils	1	95205175
32	12 71 54 44	Plate complete with pin	1	70412201
33	12 71 54 45	Contact breaker set	1	71006701
34	12 71 54 46	Fixed point plate screw	1	95086108

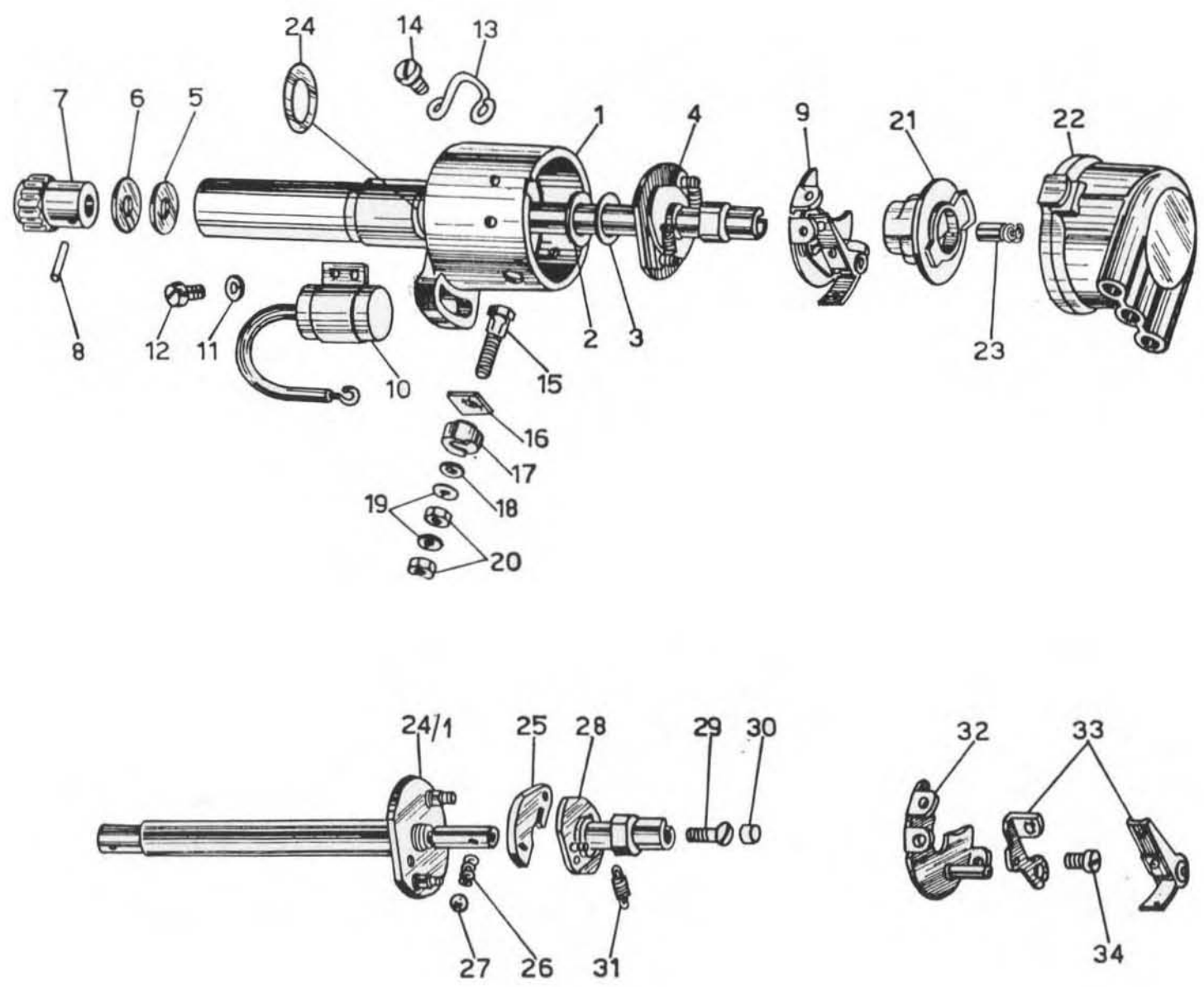


PLATE 4/A MODEL: V-750 TWIN AMBASSADOR

GROUP: Generator

Figure No.	Order No.	DESCRIPTION	Quantity	Notes Marelli Order No.
—	12 70 02 00	Generator DN 62 M, complete	—	63 03 62 11
1	12 70 02 23	Stud	2	95 15 81 06
2	17 70 02 19	End cover	1	70 59 96 01
3	12 70 02 14	Spring washer	1	74 34 67 81
4	12 70 02 17	Ball bearing	1	95 18 12 09
5	12 70 02 16	Grease retainer	1	74 34 76 81
6	12 70 02 59	Bearing retaining ring	1	74 34 76 91
7	12 70 02 28	Generator body c/w coils	1	72 00 59 02
8	12 70 02 43	Flat washer	1	90 05 61 81
9	12 70 02 26	Ball bearing	1	95 18 12 19
10	12 70 02 60	Spring washer	1	72 01 37 10
11	12 70 02 39	Brush holder assembly	1	72 12 15 01
12	25 73 07 39	Spring washer	2	90 02 40 07
13	12 70 02 31	Cover fixing nut	2	90 00 30 21
14	12 70 02 25	Armature	1	72 00 40 01
15	12 70 02 12	Grease retainer	1	74 34 76 71
16	12 70 02 51	Shlm (0,1 mm.)	as required	90 05 63 11
	12 70 02 52	Shlm (0,2 mm.)		90 05 63 21
17	12 70 02 53	Spacer	1	95 21 61 23
18	17 70 02 55	Woodruff key	1	90 07 10 71
19	12 70 02 54	Pulley with fan	1	70 56 48 10
20	12 70 02 56	Spring washer	1	90 02 40 10
21	12 70 02 57	Pulley securing nut	1	90 00 40 31
22	12 70 02 47	Feed oil with square terminal	1	72 12 13 01
23	12 70 02 58	Grounding cable connector	1	74 54 68 10
24	12 70 02 18	Field coil with small terminal	1	72 12 13 02
25	12 70 02 49	Pole shoe	2	70 54 37 10
26	12 70 02 48	Pole shoe screw	2	90 11 73 04
27	12 70 02 27	DF terminal screw	1	70 54 69 11
28	12 70 02 46	Insulating block	2	70 54 38 10
29	12 70 02 41	Flat washer	1	90 02 30 61
30	12 73 07 60	Spring washer	2	90 02 40 05
31	12 70 02 36	Terminal nut	2	90 00 11 61
32	12 70 02 24	Locating dowel	1	95 03 80 09
33	12 70 02 44	Insulating washer	1	90 06 62 11
34	12 70 02 42	Flat washer	1	90 02 20 81
35	12 73 07 23	Spring washer	2	90 02 40 06
36	12 70 07 46	Terminal securing nut	1	90 00 30 11
37	12 70 02 45	Terminal end nut	1	90 06 10 61
38	12 70 02 38	Brush	2	72 00 43 01
39	12 70 02 37	Brush spring	2	70 21 47 10
—	12 70 38 01	Regulator IR 50 BA, complete	1	63 41 50 02
40	12 70 38 02	Screw for terminals D+/61 DF and OF and D—/31	3	95 10 50 13
41	12 73 07 23	Spring washer	9	90 02 40 06
42	12 70 38 04	Screw for DF terminal	1	74 40 17 80
43	12 70 07 35	Toothed washer	1	90 05 20 61

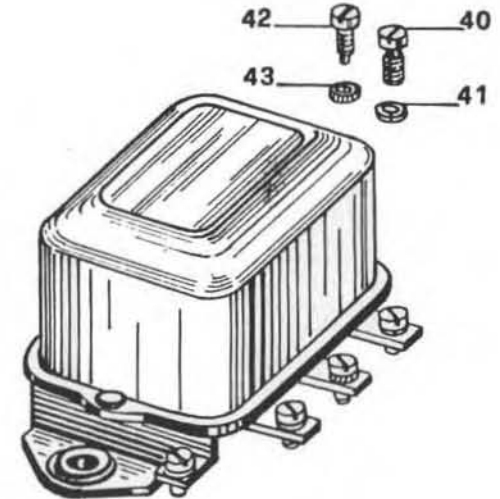
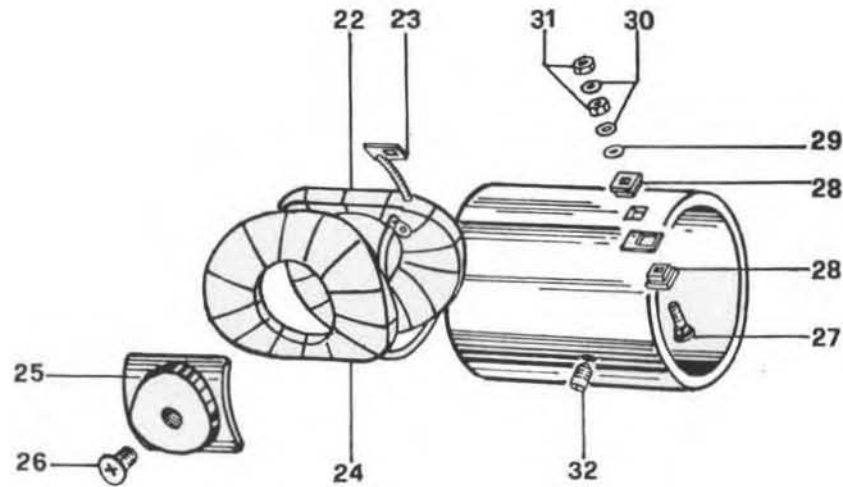
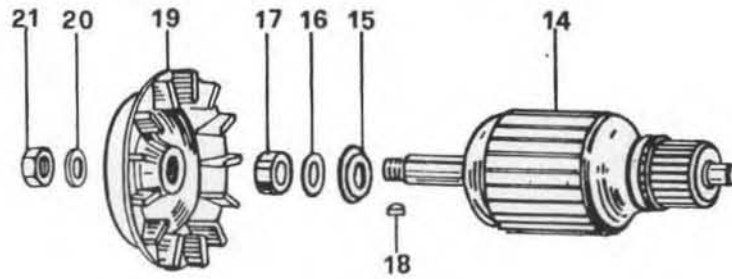
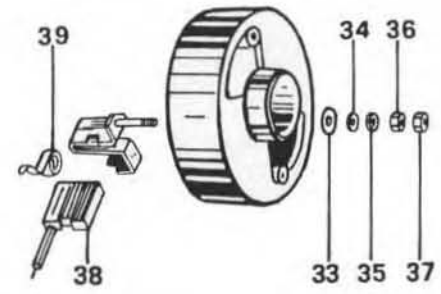
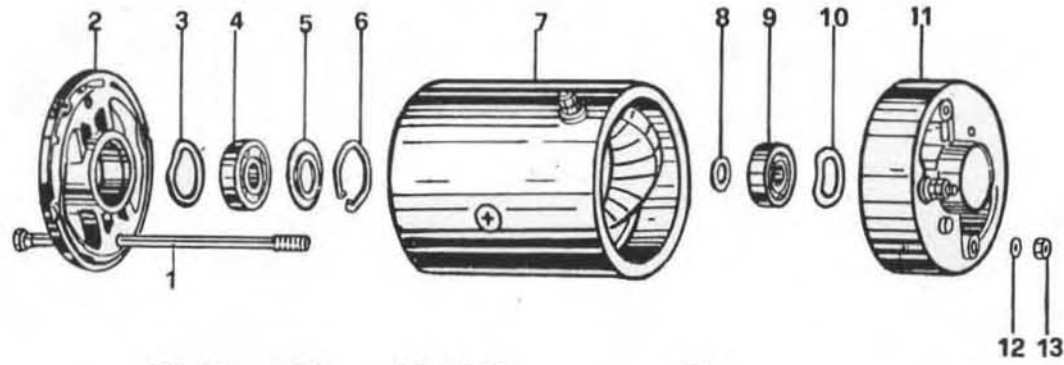




PLATE 5/A MODEL: V-750 AMBASSADOR

GROUP: Saddle - Bags

Figure No.	Order No.	DESCRIPTION	Quantity	Notes
10	13 48 00 40	Saddlebags, complete set	1	
11	13 48 25 00	Saddlebag, r/h	1	
12	13 48 57 00	Saddlebag, l/h	1	
13	13 48 50 00	Support, saddlebag r/h	1	
14	13 48 65 00	Support, saddlebag, l/h	1	
15	13 48 68 00	Bracket, rear, saddlebag connecting	1	
16	98 05 43 20	Screw	2	
17	95 00 02 06	Washer, screw	2	
18	95 02 11 06	Toothed washer	2	
19	92 60 22 06	Nut	2	
20	12 46 43 40	Handgrip, machine raising	1	
21	55 44 58 00	Rubber	1	
22	12 55 53 51	Boss, damper attachment	2	
23	98 05 45 22	Screw	2	
24	13 48 85 00	Decal, with « Moto Guzzi » eagle and stripe saddlebag r/h	1	
	13 48 86 00	Decal, with « Moto Guzzi » eagle and stripe saddlebag l/h	1	

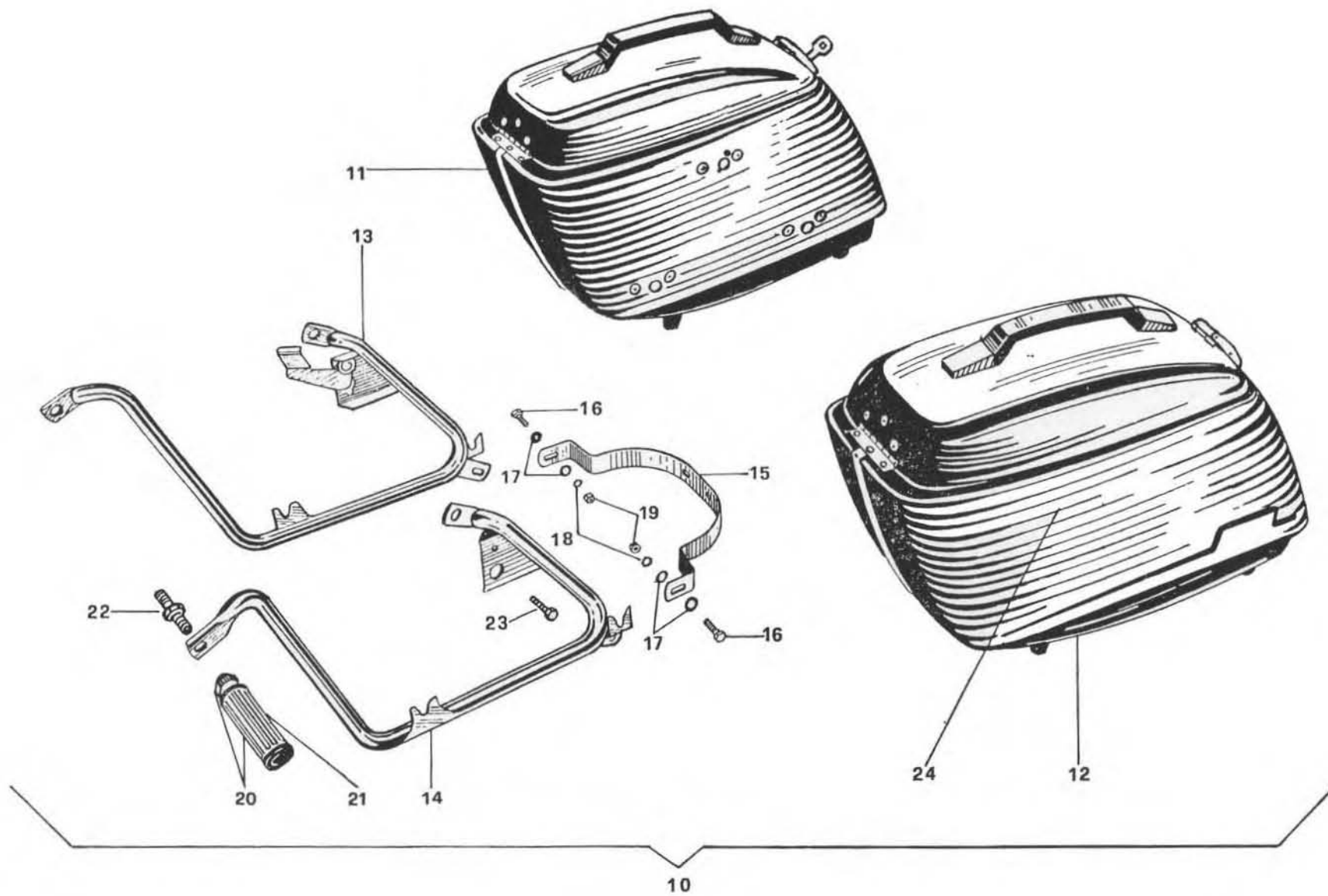




PLATE 6/A MODEL: V-750 AMBASSADOR

GROUP: Fairing, Windscreen

Figure No.	Order No.	DESCRIPTION	Quantity	Notes
10	12 57 51 21	Fairing - windscreen, assembly with frame attachments (including fig. 21 - 22 - 23 - 24 - 25 - 26 - 27 - 28 - 29 - 30 - 31 - 32 - 33 - 34 - 35)	1	
11	12 57 53 21	Fairing, complete with windscreen	1	
12	12 57 54 21	Fairing, only	1	
13	12 57 72 50	Windscreen, only	1	
14	12 57 79 40	Gasket, fairing to windscreen	1	
15	12 57 82 40	Brace, stiffening	1	
16	12 57 84 50	U clamp, fairing gasket	1	
17	12 70 68 00	Ring, rubber, gasket clamp	1	
18	98 26 05 20	Screw, windscreen to fairing	5	
19	95 00 02 05	Washer, windscreen to fairing screw	5	
20	92 60 22 05	Nut, windscreen to fairing screw	2	
21	12 57 55 40	Clamp, fairing	4	
22	98 26 06 25	Screw, fairing to clamp	4	
23	93 11 00 80	Spacer, fairing to clamp	4	
24	12 57 78 40	Washer, outer, fairing to clamps screw	4	
25	45 21 24 00	Washer, rubber, fairing to clamp screw	4	
26	95 02 11 06	Washer, flat, fairing to clamp screw	4	
27	92 60 24 06	Nut, fairing to clamp screw, fairing to Bracket screw	8	
28	12 57 86 21	Bracket, fairing	2	
29	98 05 43 16	Screw, fairing to bracket	4	
30	95 02 11 06	Lock washer, fairing to bracket screw and support handlebar clamp screw	6	
31	92 60 22 06	Nut, fairing to bracket screw	4	
32	98 05 43 18	Screw, fairing support to bar clamps	2	
33	12 57 89 40	Gasket, fairing to keadlight	1	
34	12 74 07 40	Bolt, headlight to bracket	2	
35	81 18 07 07	Distance tube	2	

