



PIAGGIO & C.s.p.a.



SPARE PARTS CATALOGUE



California 1400 Custom ABS

Chassis prefix: ZGULV002

Engine prefix:

CALIFORNIA

GU106



Index

Finished products.....	4
Alphanumeric index.....	5
Frame.....	11
Table 01.010 - Frame.....	11
Table 01.020 - Foot rests.....	13
Table 01.030 - Central stand.....	15
Table 01.040 - Protection.....	16
Table 01.050 - Swing arm.....	17
Body.....	18
Table 02.030 - Front mudguard-Pillar.....	18
Table 02.090 - Tank cover.....	19
Table 02.100 - Central body.....	20
Table 02.120 - Saddle.....	21
Table 02.130 - Saddle compartment.....	22
Table 02.150 - Rear mudguard.....	23
Table 02.170 - Locks.....	25
Table 02.190 - Decal.....	26
Engine.....	27
Table 03.010 - Engine-Completing part-Lever.....	27
Table 03.020 - Gear lever.....	28
Table 03.030 - Crankcases I.....	29
Table 03.040 - Crankcases I.....	31
Table 03.050 - Air box.....	32
Table 03.060 - Throttle body.....	33
Table 03.090 - Head cover.....	34
Table 03.100 - Cylinder head - valves.....	35
Table 03.120 - Timing system.....	36
Table 03.135 - RH cylinder timing system.....	37
Table 03.145 - LH cylinder timing system.....	39
Table 03.150 - Cylinder - Piston.....	41
Table 03.160 - Drive shaft.....	42
Table 03.170 - Gear box / Selector / Shift cam.....	43
Table 03.180 - Gear box - Gear assembly.....	45
Table 03.190 - Lubrication.....	47
Table 03.195 - Oil filters.....	48
Table 03.196 - Blow-by system.....	49
Table 03.200 - Oil pump.....	50
Table 03.230 - Clutch.....	51
Table 03.290 - Starter / Electric starter.....	52
Table 03.300 - Cdi magneto assy / Ignition unit.....	53
Table 03.330 - Exhaust pipe.....	54
Table 03.340 - Transmission complete.....	55
Table 03.350 - Rear transmission / Components.....	56



Suspensions.....	57
Table 04.025 - Εμπρός πιρούνι.....	57
Table 04.080 - Αμορτισέρ.....	59
Wheels.....	60
Table 05.010 - Εμπρόσθιος τροχός.....	60
Table 05.020 - Πίσω τροχός.....	61
Brake system.....	62
Table 06.010 - Αντλία φρένου εμπρός.....	62
Table 06.020 - Δαγκάνα φρένου εμπρός.....	63
Table 06.030 - Αντλία φρένου πίσω.....	64
Table 06.040 - Δαγκάνα πίσω φρένου.....	65
Table 06.050 - Σύστημα πέδησης ABS.....	66
Handlebar - Controls.....	67
Table 07.010 - Τιμόνι.....	67
Table 07.020 - Τιμόνι - Χειριστήρια.....	68
Table 07.030 - Χειριστήριο συμπλέκτη.....	69
Lights - Instruments.....	70
Table 08.010 - Front lights.....	70
Table 08.020 - Instruments.....	71
Table 08.030 - Rear lights.....	72
Tank.....	73
Table 09.010 - Ρεζερβουάρ βενζίνης.....	73
Table 09.020 - Κύκλωμα ανάκτησης αναθυμιάσεων βενζίνης.....	75
Cooling system.....	76
Table 10.010 - Ψυγείο λαδιού.....	76
Electrical systems.....	77
Table 11.010 - Ηλεκτρική εγκατάσταση εμπρός.....	77
Table 11.020 - Ηλεκτρική εγκατάσταση κεντρική.....	79
Table 11.030 - Ηλεκτρική εγκατάσταση πίσω.....	81



Finished products

Code	Validity
GU9032801AUD00	
GU9032801AUD01	
GU9032801AUD02	
GU9032801CAE00	
GU9032801CAE01	
GU9032801CAE02	
GU9032801EUD00	
GU9032801EUD01	
GU9032801EUD02	
GU9032801USE00	
GU9032801USE01	
GU9032801USE02	



Code	No. table	Pos.	Code	No. table	Pos.	Code	No. table	Pos.
006410	08.010	14	2D000007	08.010	23	872695	03.100	3
013763	03.190	18	2Q000002	02.190	13	872696	03.100	4
015792	03.135	5	411209	03.030	2	872741	03.090	9
015792	03.145	5	414835	03.200	9	872742	03.090	5
145298	11.020	21	414837	03.135	17	872759	03.135	4
224566	03.195	8	414837	03.145	17	872759	03.145	4
237553	03.200	7	434947	03.190	9	873626	03.090	6
244585	03.145	32	436438	03.100	6	873626	03.100	11
248419	01.040	8	478533	10.010	9	873689	03.150	13
248419	02.100	4	487444	03.135	23	873690	03.150	14
248419	02.150	13	487444	03.145	23	873906	03.200	14
248419	03.060	21	560110	03.030	4	873928	03.120	8
248419	11.010	15	567603	03.050	10	874126	03.100	9
248419	11.010	26	581061	11.020	14	874127	03.100	5
254485	02.150	10	582928	11.020	19	874223	03.190	5
254485	03.050	18	584344	03.330	18	874238	03.190	15
254485	03.330	11	598839	03.230	15	874293	03.160	2
254485	06.050	6	621914	03.190	17	874482	03.200	8
254485	10.010	5	621914	03.195	14	874567	03.150	7
254485	11.010	30	622236	03.050	6	874601	03.135	26
273774	01.010	11	639542	01.030	12	874601	03.145	26
285846	03.100	8	641541	03.190	12	874646	03.190	10
292022	08.030	9	641652	07.020	2	8746505	03.200	1
294278	08.010	17	641652	11.010	10	874655	03.195	12
294353	08.010	16	641901	11.010	2	874669	03.190	7
2A000028	03.230	1	642248	11.020	26	874801	03.200	10
2A000030	03.060	17	654174	06.010	7	874980	03.030	16
2A000072	03.230	16	654174	07.030	13	875173	03.135	15
2B000031	02.190	8	825597	03.100	12	875173	03.145	15
2B000032	02.190	9	825597	03.150	12	875243	03.160	5
2B000041	02.030	3	825694	03.135	22	875244	03.160	5
2B000056	02.030	4	825694	03.145	22	876486	03.195	7
2B000057	05.010	1	829122	03.195	2	877101	03.200	11
2B000058	05.020	1	829232	03.120	13	8783390001	03.160	3
2B000082	02.150	21	829486	03.200	5	8783390002	03.160	3
2B000083	02.190	13	829661	03.200	6	8783390003	03.160	3
2B000089	06.050	15	82999R	03.040	1	878574	03.135	1
2B000090	05.020	20	832029	11.010	33	878574	03.145	1
2B000091	04.080	5	842360	03.135	6	878868	03.135	13
2B000092	04.080	1	842360	03.145	6	878868	03.145	13
2B000093	07.030	6	843060	03.135	27	879707	03.135	11
2B000095	07.020	5	843060	03.145	27	879707	03.145	11
2B000096	07.020	6	849131	03.160	4	879916	03.135	10
2B000125	04.080	6	849866	03.150	19	879916	03.145	10
2B000126	04.080	7	851550	01.030	8	879936	03.135	19
2B000127	04.080	8	851821	01.020	15	879936	03.145	19
2B000141	08.010	2	85220R	03.230	3	879937	03.135	20
2B000147	09.010	1	85269R	03.120	11	879937	03.145	20
2B000147000XN2	09.010	1	856048	06.010	2	879938	03.135	18
2B000147000YE5	09.010	1	856050	06.010	5	879938	03.145	18
2B000151	08.010	18	856050	07.030	4	879975	03.090	4
2B000152	08.010	19	856062	09.020	2	879987	03.090	7
2B000159	02.150	19	856063	09.020	1	880127	03.090	8
2B000160	02.150	15	856152	11.020	15	880965	03.135	28
2B000161000XN2	02.090	5	857265	03.170	37	880965	03.145	28
2B000161000YE5	02.090	5	857306	03.060	16	883384	06.020	2
2B000162000XN2	02.090	7	857494	03.170	38	883385	06.020	1
2B000162000YE5	02.090	7	858423	06.010	4	883476	02.170	3
2B000169	07.020	17	858424	07.030	3	883673	06.020	3
2B000170	07.020	16	858882	11.030	1	883818	11.030	10
2B000217	01.040	9	859792	05.010	19	884029	03.330	9
2B000219	09.020	8	859792	05.020	13	884031	04.080	3
2B000237	02.190	12	860138	09.020	5	884044	03.230	6
2B000331	11.020	28	860746	06.050	2	886141	02.190	1
2D000003	02.170	2	860746	11.020	16	886235	10.010	6
2D000004	02.170	5	872230	03.060	4	886255	03.300	1
2D000006	02.170	7	872264	03.060	2	886820	02.120	10



Code	No. table	Pos.	Code	No. table	Pos.	Code	No. table	Pos.
886836	01.010	1	887433	05.010	7	887832	07.010	10
886837	01.010	4	887439	05.010	12	887835	11.010	22
886846	03.060	17	887453	08.010	15	887836	11.010	23
8868555001	03.160	1	887454	03.100	13	887875	05.010	11
8868555002	03.160	1	887455	03.100	13	887875	05.020	10
8868555003	03.160	1	887456	03.100	13	887921	08.010	4
886859	03.050	1	887461	05.020	23	887950	03.190	11
886860	03.050	7	887487	02.150	4	887951	03.190	1
886861	03.050	5	887488	02.150	4	887953	08.020	2
8868655	03.170	5	887489	02.150	4	887955	11.010	1
886867	03.050	3	887489	02.130	1	887956	03.090	12
886869	03.060	22	887489	05.020	8	887971	02.190	11
886871	03.050	12	887490	06.040	1	887979	03.060	1
886875	03.170	15	887491	01.010	24	887990	02.100	2
8868810001	03.150	2	887495	05.020	12	88799000XN2	02.100	2
8868810002	03.150	2	887510	03.020	12	88799000YE5	02.100	2
8868810003	03.150	2	887512	04.025	1	887991	02.100	1
886883	03.150	3	887513	04.025	2	88799100XN2	02.100	1
886884	03.150	4	887517	05.020	24	88799100YE5	02.100	1
886885	03.150	5	887518	05.020	22	890760	11.010	31
886886	03.150	6	887519	01.050	2	890979	11.010	28
886908	03.030	1	887522	03.340	4	894603	11.020	3
886934	09.010	1	887524	03.120	9	895328	03.020	2
88693400XN2	09.010	1	887530	05.020	2	895328	06.030	2
88693400YE5	09.010	1	887534	08.030	1	895481	11.030	16
886959	01.050	1	887535	08.030	2	895701	11.020	17
886967	05.020	15	887536	08.030	1	895709	08.020	10
886968	03.340	3	887537	08.030	2	895839	02.190	3
887007	03.330	13	887540	08.020	9	895907	11.020	10
887008	03.330	14	887547	02.130	4	896675	11.030	12
887013	01.010	7	887550	07.030	1	896715	11.030	11
887014	01.010	9	887551	07.020	1	898136	02.090	4
887015	03.060	6	887555	08.020	8	898396	03.020	15
887016	11.010	38	887556	06.030	1	898397	03.020	6
887030	03.120	10	887566	05.010	14	899064	03.190	4
887044	03.120	14	887575	05.020	16	969323	03.195	13
887086	01.010	8	887578	05.010	15	976179	03.180	9
887161	03.135	3	887579	05.010	16	976180	03.180	17
887162	03.145	3	887583	06.050	14	976312	03.150	11
887163	03.100	2	887584	06.050	13	976330	03.120	1
887164	03.100	1	887585	06.050	12	976331	03.120	4
8871714	03.060	8	887586	04.025	28	976337	03.135	31
8871724	03.060	9	887589	03.330	3	976337	03.145	31
887248	01.010	25	887590	03.330	4	976338	03.135	30
887252	06.030	7	887625	11.020	1	976338	03.145	30
887254	01.010	26	887627	06.010	6	976341	03.135	29
887260	01.010	27	887629	07.030	11	976341	03.145	29
887261	01.010	12	887689	06.030	20	976342	03.150	15
887264	01.010	37	887696	06.050	1	976350	03.135	25
887282	03.060	12	887697	08.010	12	976350	03.145	25
887300	03.340	1	887698	08.010	1	976355	03.120	6
887300	03.350	1	887719	01.010	6	976376	03.330	20
887302	01.020	22	887728	01.010	17	976381	03.120	2
887303	01.020	18	887757	03.340	6	976478	03.040	9
887311	05.020	19	887762	05.010	13	976481	03.230	7
887318	03.020	17	887764	06.010	1	976484	03.230	8
88733000XNB	01.020	2	887786	03.196	1	976488	03.120	3
88733100XNB	01.020	1	887795	07.020	8	976532	03.180	23
887334	03.090	10	887796	07.020	9	976533	03.180	22
887339	07.030	9	887798	06.050	4	976535	03.230	5
887356	07.010	2	887802	02.130	3	976554	03.040	5
887357	07.010	1	887805	03.090	2	976564	03.230	10
887359	04.025	29	887808	03.060	7	976589	03.135	8
887360	04.025	27	887816	03.330	22	976589	03.145	8
887421	11.010	32	887829	04.025	3	976591	02.130	2
887429	05.010	2	887830	04.025	4	976591	03.090	3
887430	05.010	9	887831	07.010	8	976591	06.050	5



Code	No. table	Pos.	Code	No. table	Pos.	Code	No. table	Pos.
976591	08.030	3	AP8120573	01.020	13	AP8150376	04.080	10
976592	03.190	8	AP8120615	03.050	8	AP8150382	08.020	7
976593	03.230	12	AP8120712	11.020	27	AP8150382	11.030	6
976594	03.230	12	AP8120876	03.050	21	AP8150413	08.020	4
976595	03.230	12	AP8120952	03.170	10	AP8150413	08.030	13
976596	03.230	12	AP8121014	01.030	9	AP8150413	11.020	13
976597	03.190	6	AP8121015	01.030	10	AP8150413	11.020	22
976614	03.060	20	AP8121032	11.010	11	AP8150432	01.010	29
976614	11.010	8	AP8121114	02.150	7	AP8150450	03.050	11
976649	03.120	17	AP8121133	01.020	7	AP8150500	01.040	7
976665	03.120	16	AP8121205	07.010	12	AP8150500	03.196	3
976674	03.135	24	AP8121409	07.030	7	AP8150501	08.030	5
976674	03.145	24	AP8121420	02.120	9	AP8150501	11.030	4
976680	03.190	16	AP8121464	10.010	7	AP8150509	11.010	20
976681	03.190	14	AP8121510	03.330	24	AP8150509	11.030	3
976696	03.230	14	AP8121511	09.010	3	AP8150509	11.030	7
976703	03.030	12	AP8121882	06.050	11	AP8150522	08.030	10
976899	03.150	10	AP8121929	01.020	21	AP8150536	08.010	13
9769965	03.010	1	AP8123641	07.010	4	AP8150540	07.020	14
9769975	03.170	1	AP8123642	07.010	7	AP8150543	07.010	3
97729R	03.290	1	AP8123643	07.010	9	AP8152043	05.010	18
977527	02.170	4	AP8123644	07.010	6	AP8152055	03.330	5
977916	11.020	18	AP8124293	11.020	20	AP8152117	02.120	5
978059	07.020	11	AP8124718	02.150	17	AP8152135	01.030	6
978415	02.120	8	AP8124718	08.030	4	AP8152166	03.120	7
AP8101595	03.050	19	AP8124936	11.010	17	AP8152220	01.030	2
AP8101595	03.170	11	AP8125838	05.020	5	AP8152246	01.020	24
AP8101595	09.010	10	AP8125839	05.020	4	AP8152246	02.150	26
AP8101944	09.020	15	AP8125841	05.010	3	AP8152272	03.340	5
AP8101968	06.030	15	AP8125842	05.010	5	AP8152273	02.150	12
AP8102159	09.020	9	AP8127098	08.030	7	AP8152273	02.150	6
AP8102239	09.020	6	AP8127461	02.090	3	AP8152273	03.170	39
AP8102349	03.196	7	AP8127489	08.010	22	AP8152273	05.010	20
AP8102377	09.020	14	AP8133945	06.050	16	AP8152273	05.020	14
AP8102524	01.030	11	AP8133945	07.030	10	AP8152273	09.010	19
AP8102671	11.020	23	AP8134857	01.020	12	AP8152274	02.030	5
AP8102765	03.196	8	AP8144007	03.020	9	AP8152278	01.010	35
AP8102902	01.010	3	AP8144007	06.030	5	AP8152278	02.150	9
AP8102913	02.120	4	AP8144038	03.050	20	AP8152278	03.060	13
AP8102998	09.010	12	AP8144064	03.330	17	AP8152278	03.060	25
AP8104329	03.050	2	AP8144552	02.130	6	AP8152278	06.050	10
AP8104666	09.010	24	AP8144558	03.330	23	AP8152278	08.020	6
AP8110053	03.020	20	AP8144563	01.040	6	AP8152278	11.010	12
AP8110077	07.010	5	AP8144564	08.030	11	AP8152279	03.050	22
AP8110093	05.020	3	AP8144616	01.040	5	AP8152279	06.030	19
AP8110094	01.010	10	AP8144662	08.020	3	AP8152280	03.050	15
AP8110094	05.010	4	AP8149034	02.150	25	AP8152280	06.050	7
AP8110110	01.020	8	AP8150014	08.010	10	AP8152280	10.010	3
AP8112600	11.030	8	AP8150015	06.050	8	AP8152280	11.010	19
AP8112811	11.020	2	AP8150015	08.010	11	AP8152280	11.010	5
AP8113003	06.050	18	AP8150040	01.010	23	AP8152281	08.010	8
AP8113004	06.050	17	AP8150044	08.010	5	AP8152281	09.010	2
AP8113004	07.030	8	AP8150045	08.010	6	AP8152281	11.010	7
AP8113070	06.050	19	AP8150169	03.350	7	AP8152284	03.030	21
AP8113755	06.040	4	AP8150192	01.010	18	AP8152285	02.150	5
AP8120001	01.020	17	AP8150204	02.150	18	AP8152285	04.080	9
AP8120001	02.030	2	AP8150204	06.030	14	AP8152285	05.020	11
AP8120030	03.050	17	AP8150204	08.030	6	AP8152298	02.150	20
AP8120030	03.196	2	AP8150211	03.350	8	AP8152299	01.010	14
AP8120030	06.050	9	AP8150252	01.020	11	AP8152299	02.120	6
AP8120030	10.010	2	AP8150285	03.030	25	AP8152299	02.150	24
AP8120178	06.030	17	AP8150285	08.010	7	AP8152299	04.080	11
AP8120405	09.010	5	AP8150287	01.010	22	AP8152299	06.030	12
AP8120416	07.030	12	AP8150292	01.020	14	AP8152299	11.010	14
AP8120531	02.090	8	AP8150311	01.030	14	AP8152300	03.020	11
AP8120531	02.150	16	AP8150311	09.010	14	AP8152300	03.330	27
AP8120557	09.010	4	AP8150329	01.010	21	AP8152300	06.030	8



Code	No. table	Pos.	Code	No. table	Pos.	Code	No. table	Pos.
AP8152301	01.010	33	B063015	11.010	18	B063593	03.330	15
AP8152302	11.010	13	B063026	11.020	11	B063594	03.330	16
AP8152302	11.010	25	B063027	11.020	12	B063595	03.330	7
AP8152302	11.030	9	B063028	08.010	20	B063596	03.330	8
AP8152306	02.150	23	B063029	08.010	21	B063620	03.196	4
AP8152306	11.020	29	B063030	07.020	9	B063639	03.020	18
AP8152313	03.330	10	B063035	03.020	1	B063642	02.190	6
AP8152318	03.340	2	B063055	01.020	26	B063643	02.190	7
AP8152323	05.020	27	B0630754	03.170	2	B063706	09.010	13
AP8152324	05.020	26	B063079	09.010	8	B063709	02.170	1
AP8152325	07.020	15	B063080	09.010	6	B063716	01.040	4
AP8152329	02.130	5	B063088	01.010	31	B063717	01.040	3
AP8152329	03.050	4	B063090	10.010	1	B063742	11.010	16
AP8152329	11.020	30	B063104	09.010	16	B063751	03.020	3
AP8152329	11.030	14	B063114	03.330	21	B063759	01.050	4
AP8152339	02.100	3	B063116	02.150	1	B063778	03.196	5
AP8152339	02.150	3	B06311600XN2	02.150	1	B063786	01.030	4
AP8152384	07.010	11	B06311600YE5	02.150	1	B063806	11.030	13
AP8152385	01.020	6	B063117	02.150	2	B063813	02.190	15
AP8152414	06.020	6	B06311700XN2	02.150	2	B063814	02.190	14
AP8161083	10.010	8	B06311700YE5	02.150	2	B063815	02.190	16
AP8201124	09.010	23	B063131	11.010	37	B063819	02.190	4
AP8201301	06.030	16	B063133	01.020	4	B06382000YE4	01.020	19
AP8201755	01.010	2	B063134	01.020	3	B06382100YE4	01.020	10
AP8201808	06.050	20	B063139	01.010	20	B063832	03.180	21
AP8202238	06.050	19	B063143	03.010	3	B063836	03.180	33
AP8206773	09.020	7	B063158	03.060	18	B063844	11.010	4
AP8210007	03.020	19	B063159	03.060	19	B063846	03.030	26
AP8220150	11.030	5	B063160	03.060	10	B063849	05.020	21
AP8220402	09.020	4	B063161	03.060	11	B063850	03.030	20
AP8221023	03.050	16	B063162	11.010	3	B063861	03.030	17
AP8221023	10.010	4	B063174	04.080	4	B063870	02.150	14
AP8224164	02.150	22	B063179	03.196	9	B063898	03.030	19
AP8224462	11.010	27	B063181	02.090	5	B063902	01.040	1
AP8257609	02.190	18	B063182	02.090	7	B063903	03.020	10
AP8257794	02.190	19	B063211	06.050	3	B063903	06.030	6
AP9150472	03.190	13	B063246	09.010	7	B063904	01.010	13
B013036	03.230	9	B063271	03.030	18	B063905	03.170	27
B013037	03.230	13	B063274	03.195	6	B063907	01.020	25
B013479	03.135	14	B063292	03.330	19	B063931	01.020	27
B013479	03.145	14	B063293	03.330	12	B063934	03.195	9
B013517	03.100	7	B06330100C1	02.120	1	B063936	08.020	1
B013552	03.135	21	B063302	02.150	8	B063938	01.010	34
B013552	03.145	21	B063303	02.150	11	B063942	03.195	10
B0136034	03.135	9	B063306	03.010	2	B063950	02.190	5
B0136034	03.145	9	B063307	01.010	19	B063956	03.170	28
B0136054	03.135	12	B063309	01.020	9	B063957	03.050	13
B0136054	03.145	12	B063328	06.030	9	B063977	03.180	32
B013661	03.135	16	B063333	03.060	5	B063978	03.180	31
B013661	03.145	16	B063339	07.020	7	B063979	03.180	34
B014576	03.135	7	B063426	11.010	24	B064001	01.040	2
B014576	03.145	7	B063428	03.195	1	B064009	10.010	11
B015125	03.150	16	B063430	01.030	1	B064017	11.010	39
B015126	03.150	9	B063432	08.030	8	B064018	03.195	11
B016425	03.060	14	B063433	11.020	24	B064022	06.030	11
B016785	03.135	2	B063434	10.010	10	B064023	02.120	2
B016785	03.145	2	B063439	02.120	7	B064024	02.120	3
B017633	03.060	15	B063440	05.010	10	B064026	09.010	20
B017633	03.060	24	B063442	03.060	3	B064027	09.010	21
B017636	03.100	10	B063444	01.030	5	B064044	03.350	4
B043864	09.010	9	B063454	08.030	12	B064046	03.150	8
B044314	05.010	17	B063461	03.030	28	B064047	03.150	1
B044414	11.010	21	B063477	03.050	9	B064049	04.025	14
B045974	02.190	17	B063478	02.090	1	B064050	04.025	17
B0630111	03.230	12	B063508	11.010	6	B064051	04.025	24
B063012	03.230	12	B063591	01.020	29	B064052	04.025	22
B063013	11.030	2	B063592	11.010	34	B064053	04.025	18



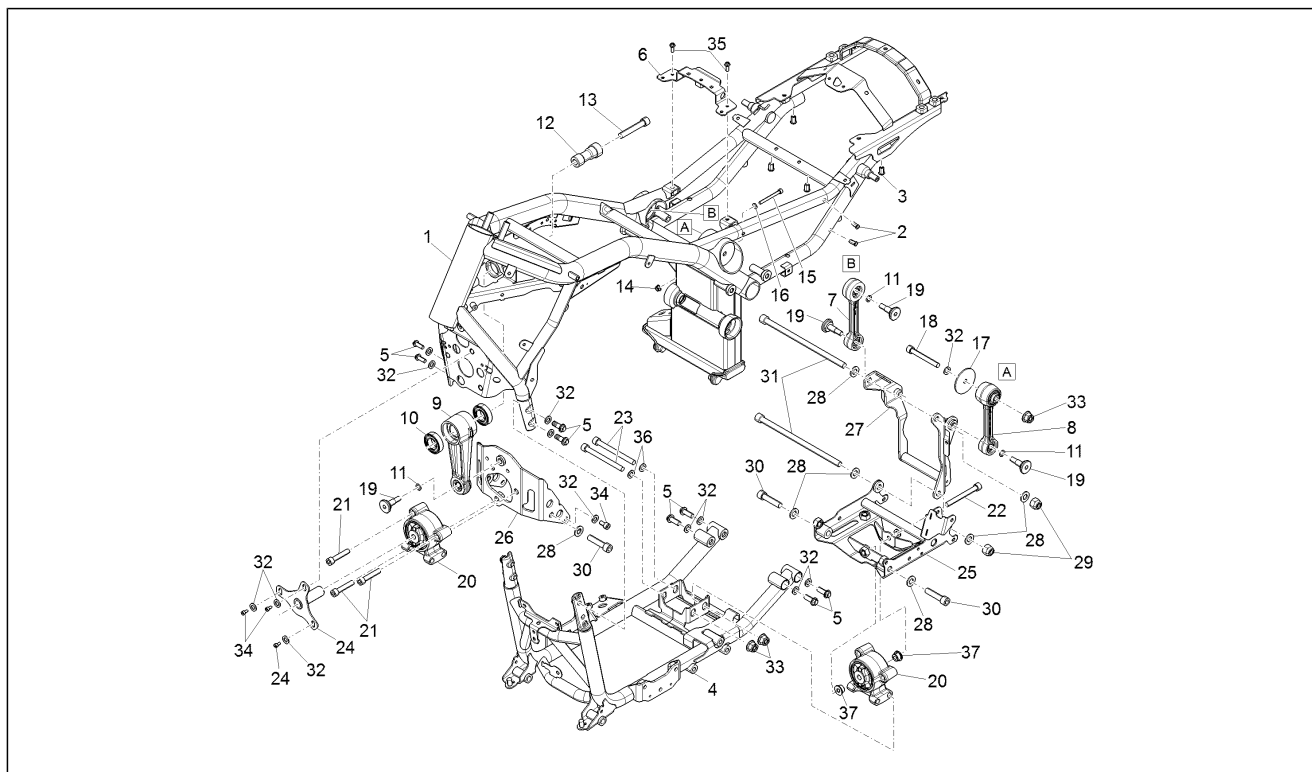
Code	No. table	Pos.	Code	No. table	Pos.	Code	No. table	Pos.
B064055	04.025	19	GU03617710	05.010	6	GU31159050	03.200	2
B064056	04.025	20	GU03617710	05.020	7	GU31256881	03.020	14
B064057	04.025	23	GU05001630	03.040	12	GU32517710	02.190	20
B064058	04.025	15	GU05002130	03.040	3	GU43262180	06.030	10
B064059	04.025	5	GU05204930	03.170	8	GU4FAN000030	03.300	10
B064060	04.025	6	GU05210631	03.180	1	GU61270300	03.030	14
B064061	04.025	21	GU05211030	03.180	29	GU90271014	03.170	30
B064062	04.025	9	GU05211131	03.180	25	GU90271022	03.170	18
B064063	04.025	10	GU05211231	03.180	26	GU90271030	03.180	8
B064064	04.025	8	GU05211331	03.180	10	GU90271125	03.180	27
B064065	04.025	7	GU05211431	03.180	7	GU90271230	03.180	6
B064066	04.025	12	GU05211530	03.180	30	GU90353014	03.170	36
B064067	04.025	13	GU05212031	03.180	4	GU90401424	03.170	12
B064068	04.025	11	GU05213631	03.180	12	GU90405367	03.030	15
B064069	04.025	25	GU05214031	03.180	14	GU90412237	03.040	2
B064070	04.025	26	GU05214231	03.180	13	GU90412541	03.180	20
B064099	02.030	1	GU05214431	03.180	18	GU90706009	09.020	11
B06409900XN2	02.030	1	GU05214630	03.180	5	GU90706141	11.010	36
B06409900YE5	02.030	1	GU05214731	03.180	15	GU90706178	03.030	29
B064100	03.230	2	GU05215031	03.180	16	GU90706203	03.030	11
B064101	01.020	5	GU05215631	03.180	2	GU90706347	03.040	8
B064102	04.025	16	GU05230531	03.170	32	GU90706461	04.025	31
B064104	06.030	21	GU05230831	03.170	35	GU90706664	05.020	18
B064105	06.010	3	GU05232431	03.170	33	GU90718120	03.350	6
B064106	07.030	5	GU05232631	03.170	34	GU91120605	08.010	3
B064112	03.170	24	GU05234230	03.170	26	GU91120606	03.010	5
B064113	03.170	25	GU05234631	03.170	16	GU91120606	03.040	13
B064117	02.190	21	GU05235531	03.170	17	GU91120607	03.040	7
B064120	06.040	3	GU05236231	03.170	21	GU91180823	03.300	2
B064126	03.330	1	GU05238131	03.170	29	GU91600365	03.120	15
B064127	03.330	2	GU05238231	03.170	22	GU92201025	03.170	20
B064262	03.090	1	GU05238431	03.170	23	GU92201117	03.170	19
B064263	03.090	11	GU05239330	03.170	31	GU92201226	03.180	19
B064265	07.030	2	GU05256930	03.020	21	GU92201822	03.180	11
B064268	01.010	30	GU05351230	03.350	5	GU92232028	03.180	24
B064271	03.230	4	GU05547030	01.050	6	GU92249224	01.050	7
B064290	05.020	17	GU05547130	01.050	5	GU92252029	03.180	3
CM001904	03.196	6	GU05547930	01.050	8	GU92605408	03.300	12
CM225607	11.020	4	GU05701430	03.300	7	GU92606206	03.020	13
CM225610	11.020	5	GU05702530	03.300	6	GU92606206	06.030	18
CM225615	11.020	6	GU05781630	04.025	32	GU92606516	03.300	8
CM225620	11.020	7	GU05944530	02.190	10	GU92630206	03.020	23
CM225730	11.020	8	GU05944930	02.190	2	GU92630206	08.010	9
CM225740	11.020	9	GU06500200	07.020	12	GU92630206	11.010	9
CM228201	11.030	15	GU06500600	07.020	13	GU92630707	03.020	16
CM228403	01.020	28	GU06704700	09.020	10	GU92660012	03.300	5
GU00823923140	01.030	15	GU12018900	03.030	6	GU92660021	03.030	9
GU00823931055	02.090	9	GU12022600	03.030	10	GU92660021	03.330	25
GU00823931080	01.040	10	GU13432640	03.020	5	GU93180220	03.170	4
GU00823944050	09.010	11	GU14085900	03.230	11	GU93222023	03.060	23
GU01106090	09.010	18	GU14433400	03.120	12	GU93304390	01.050	3
GU01107490	09.010	17	GU14615901	03.030	8	GU93306070	03.050	14
GU01116031	09.020	3	GU14615901	03.330	26	GU95005306	03.200	13
GU01154230	03.030	27	GU14616150	05.010	8	GU95005308	04.025	34
GU01154230	03.190	2	GU14616150	05.020	6	GU95005320	06.030	23
GU01154230	03.196	11	GU18144350	03.170	7	GU95005325	05.020	25
GU01161331	03.190	3	GU18144350	03.200	4	GU95008205	09.010	15
GU01161331	03.196	10	GU19002020	03.170	14	GU95008208	03.290	3
GU01528930	03.030	23	GU19152200	03.195	3	GU95008210	01.010	32
GU01528930	03.170	9	GU30158900	03.200	3	GU95008305	08.020	5
GU01528930	03.350	3	GU30602861	07.020	4	GU95008306	01.010	16
GU01659130	06.020	4	GU30611460	05.020	9	GU95008308	01.020	30
GU01659131	06.020	5	GU30654626	06.040	2	GU95008308	03.020	8
GU03013800	03.200	12	GU30714201	03.300	9	GU95008308	03.330	6
GU03447070	01.020	20	GU31003766	03.030	22	GU95008308	06.030	4
GU03555250	04.080	2	GU31003766	03.170	13	GU95008310	01.010	36
GU03603060	07.020	3	GU31003766	03.350	2	GU95008313	01.010	28



Code	No. table	Pos.
GU95100116	03.150	18
GU95100709	03.030	30
GU95129100	03.135	32
GU95129100	03.145	33
GU95129240	01.030	7
GU95129340	03.180	28
GU95187006	03.195	4
GU95512081	03.030	3
GU95963062	09.020	12
GU95980319	03.170	6
GU95990023	09.020	13
GU96508066	03.030	5
GU96508075	03.030	7
GU97202355	03.170	3
GU98082475	03.290	2
GU98084314	03.195	5
GU98084425	03.030	13
GU98210616	03.010	4
GU98210616	06.030	22
GU98230850	03.300	11
GU98350210	02.090	6
GU98350310	03.150	17
GU98350315	03.120	5
GU98370412	06.030	13
GU98370516	02.090	2
GU98370616	11.010	29
GU98612216	01.030	13
GU98620330	03.040	11
GU98620335	03.040	4
GU98620445	03.300	3
GU98620455	03.040	10
GU98620560	03.300	4
GU98680225	11.020	25
GU98680360	01.010	15
GU98680440	04.025	33
GU98680460	03.020	7
GU98680475	06.030	3
GU98680545	01.030	3
GU98682316	03.040	14
GU98682316	11.010	35
GU98682320	03.020	22
GU98682320	03.040	6
GU98682325	01.050	9
GU98682325	03.020	4
GU98682330	03.030	24
GU98682414	02.170	6
GU98682420	01.020	23
GU98682530	01.020	16
GU98683530	01.010	5
GU98690245	04.025	30
GU98690440	07.020	10
GU98882416	09.010	22

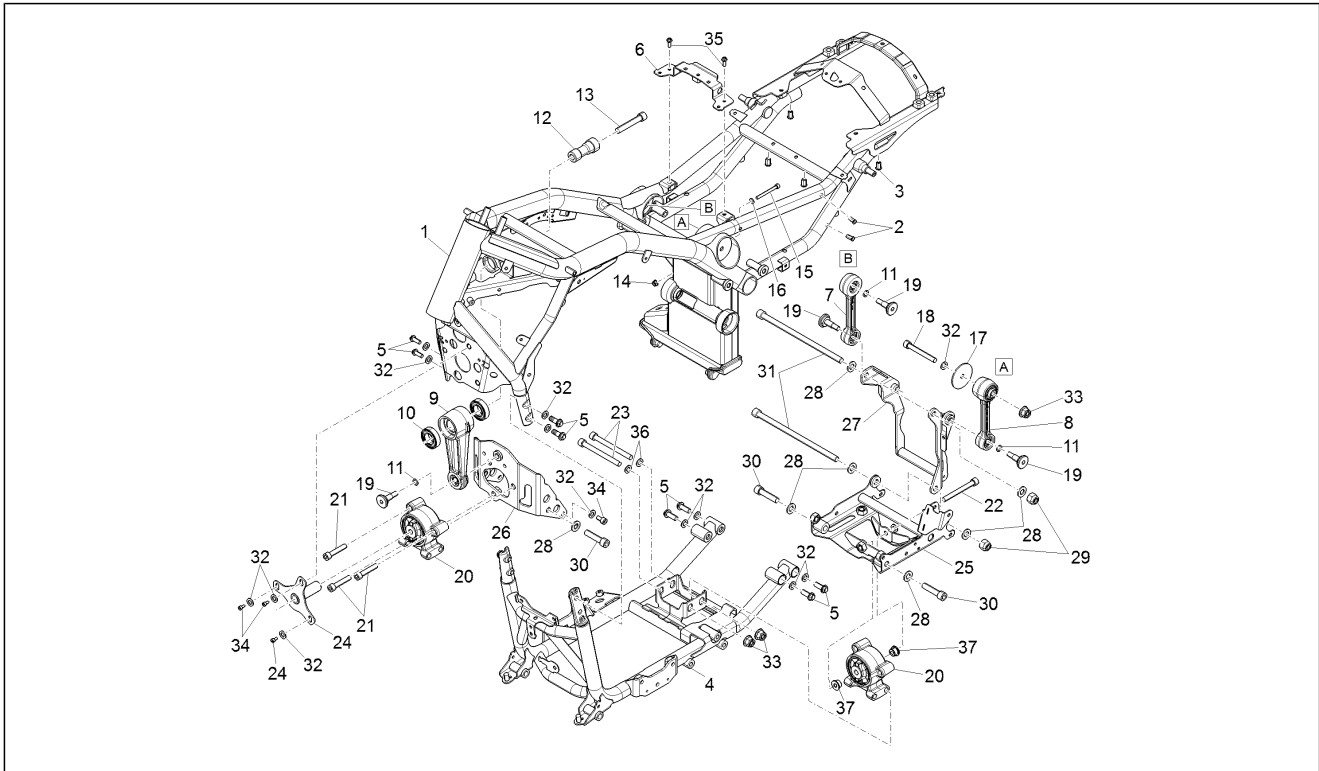


Group	Frame
Code	01.010
Description	Frame
Service	1



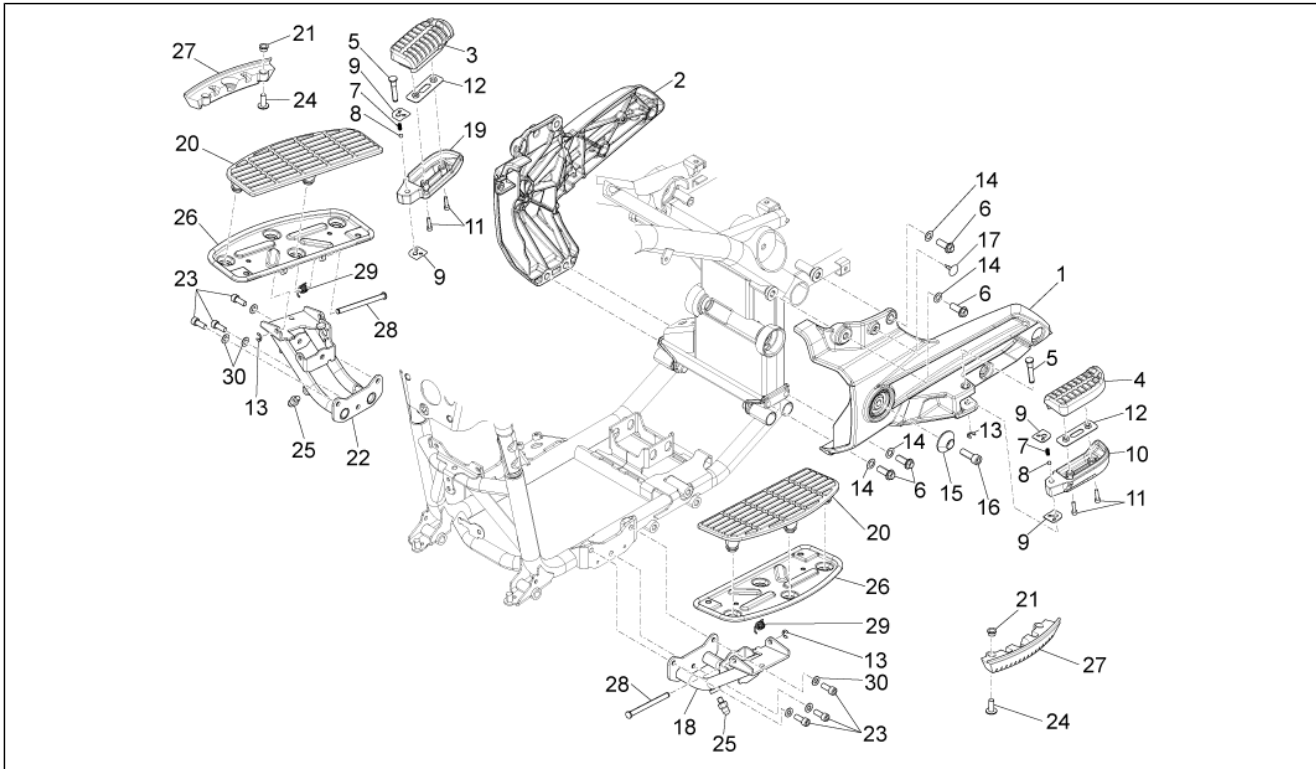
Pos.	Code	Description	Qty	Variants
1	886836	Telaio Superiore con PI	1	
2	AP8201755	Threaded rivet	10	
3	AP8102902	Hex threaded insert	6	
4	886837	Telaio Inferiore con PI	1	
5	GU98683530	screw M10x30	8	
6	887719	Seat support	1	
7	887013	Biella supporto motore	1	
8	887086	Biella supporto motore	1	
9	887014	Biella supporto motore	1	
10	AP8110094	Bearing 25x47x12	2	
11	273774	Oil seal	8	
12	887261	Perno silent block	1	
13	B063904	Hex socket screw M12x70	1	
14	AP8152299	Self-locking nut M6	1	
15	GU98680360	Hex socket screw M6x60	1	
16	GU95008306	Washer 6,4x12x1,2	1	
17	887728	Disc	1	
18	AP8150192	Hex socket screw M10x80	1	
19	B063307	Threaded pin	4	
20	B063139	Engine support silent-block	2	
21	AP8150329	Hex socket screw	3	
22	AP8150287	Hex socket screw M10x90	1	
23	AP8150040	Hex socket screw M10x110*	2	
24	887491	Silent block support bracket	1	
25	887248	Staffa inf. motore con PI	1	
26	887254	Staffa ant. motore con PI	1	
27	887260	Staffa post. motore con PI	1	
28	GU95008313	Washer 13x24x2,5	8	

Group	Frame
Code	01.010
Description	Frame
Service	1



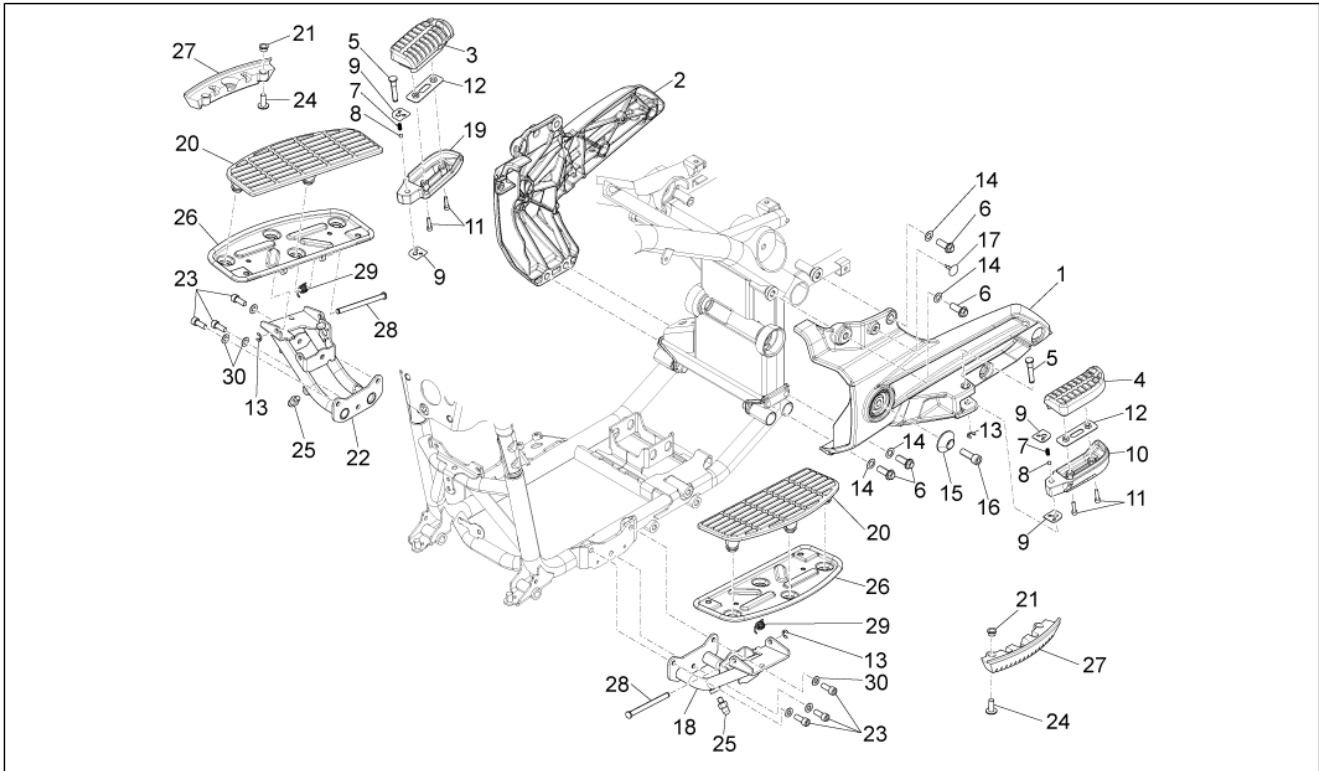
Pos.	Code	Description	Qty	Variants
29	AP8150432	Low self-locking nut M12*	2	
30	B064268	Hex socket screw M12x45	4	
31	B063088	Engine pin	2	
32	GU95008210	Washer 10,2X18X2	11	
33	AP8152301	Self-locking nut	3	
34	B063938	Hex socket screw M10x20	5	
35	AP8152278	Screw w/ flange M6x16	2	
36	GU95008310	Washer 10,5x22x2,5	2	
37	887264	Bush	2	

Group	Frame
Code	01.020
Description	Foot rests
Service	1



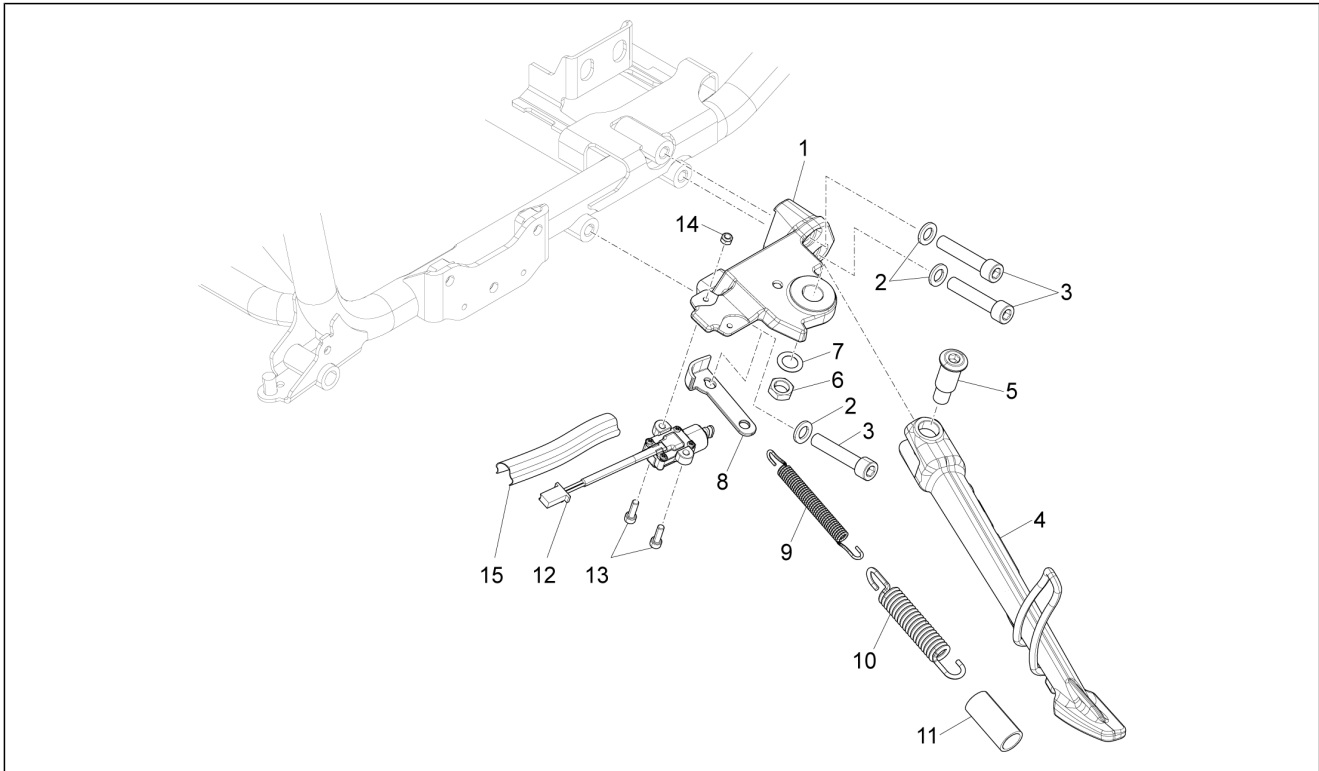
Pos.	Code	Description	Qty	Variants
1	88733100XNB	LH rear footrest supp., black	1	
2	88733000XNB	RH footrest support al fin,blk	1	
3	B063134	RH rear footrests rubber	1	
4	B063133	LH rear footrests rubber	1	
5	B064101	Footrest pin	2	
6	AP8152385	Hex socket screw M10x1,25	8	
7	AP8121133	Coil compress. spring	2	
8	AP8110110	Ball d.7	2	
9	B063309	Plate	4	
10	B06382100YE4	LH rear footrest, grey	1	
11	AP8150252	Hex socket screw M5x20	4	
12	AP8134857	Plate	2	
13	AP8120573	Stop ring	4	
14	AP8150292	Curved spring washer *	8	
15	851821	Ring nut	2	
16	GU98682530	Hex socket screw M10x30	2	
17	AP8120001	Rubber spacer	2	
18	887303	Supporto pedana pilota sx con PI	1	
19	B06382000YE4	RH rear footrest, grey	1	
20	GU03447070	Mat	2	
21	AP8121929	T bush 6,5x8,6x9	4	
22	887302	Supporto pedana pilota dx con PI	1	
23	GU98682420	Hex socket screw M8x20	6	
24	AP8152246	Screw w/ flange M6x16	4	
25	B063907	Footrest pin	2	
26	B063055	Pedana pilota con PI	2	
27	B063931	Sliding block	2	
28	CM228403	Footrest pin	2	

Group	Frame
Code	01.020
Description	Foot rests
Service	1



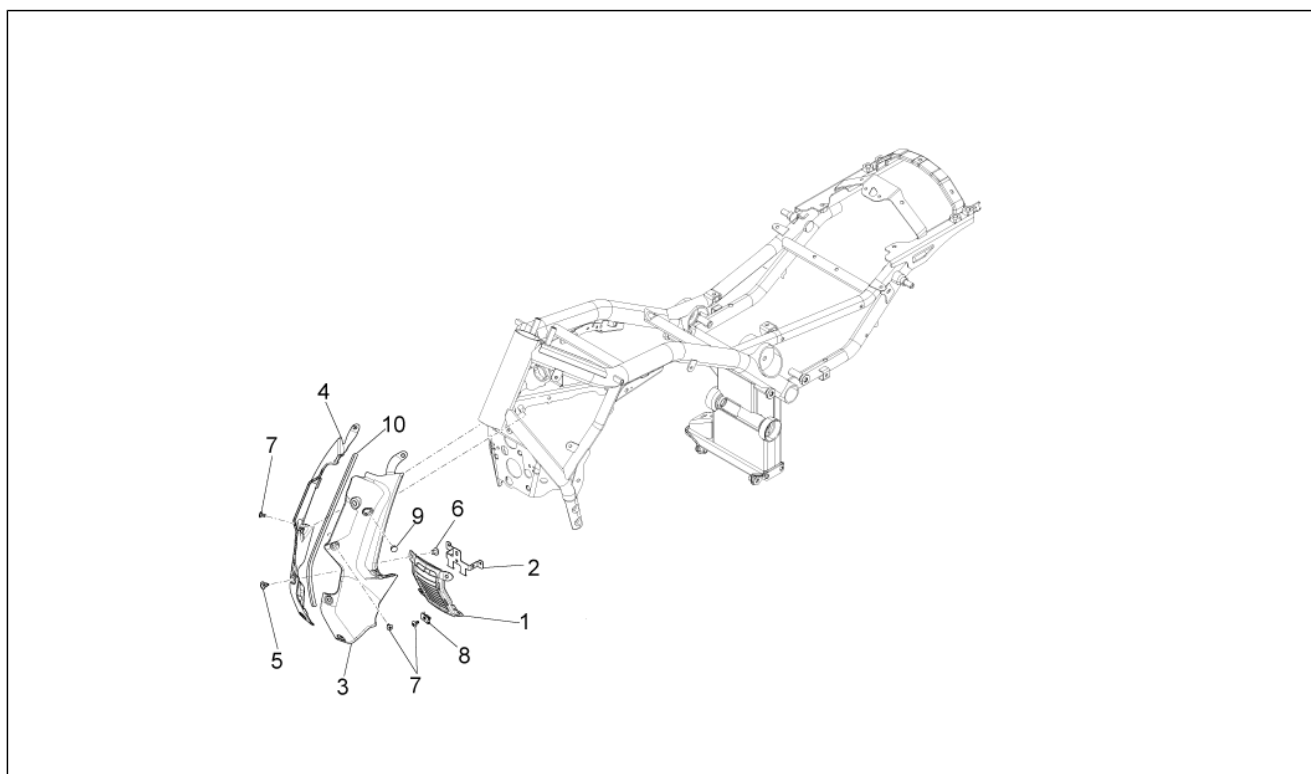
Pos.	Code	Description	Qty	Variants
29	B063591	Spring	2	
30	GU95008308	Washer	1	

Group	Frame
Code	01.030
Description	Central stand
Service	1



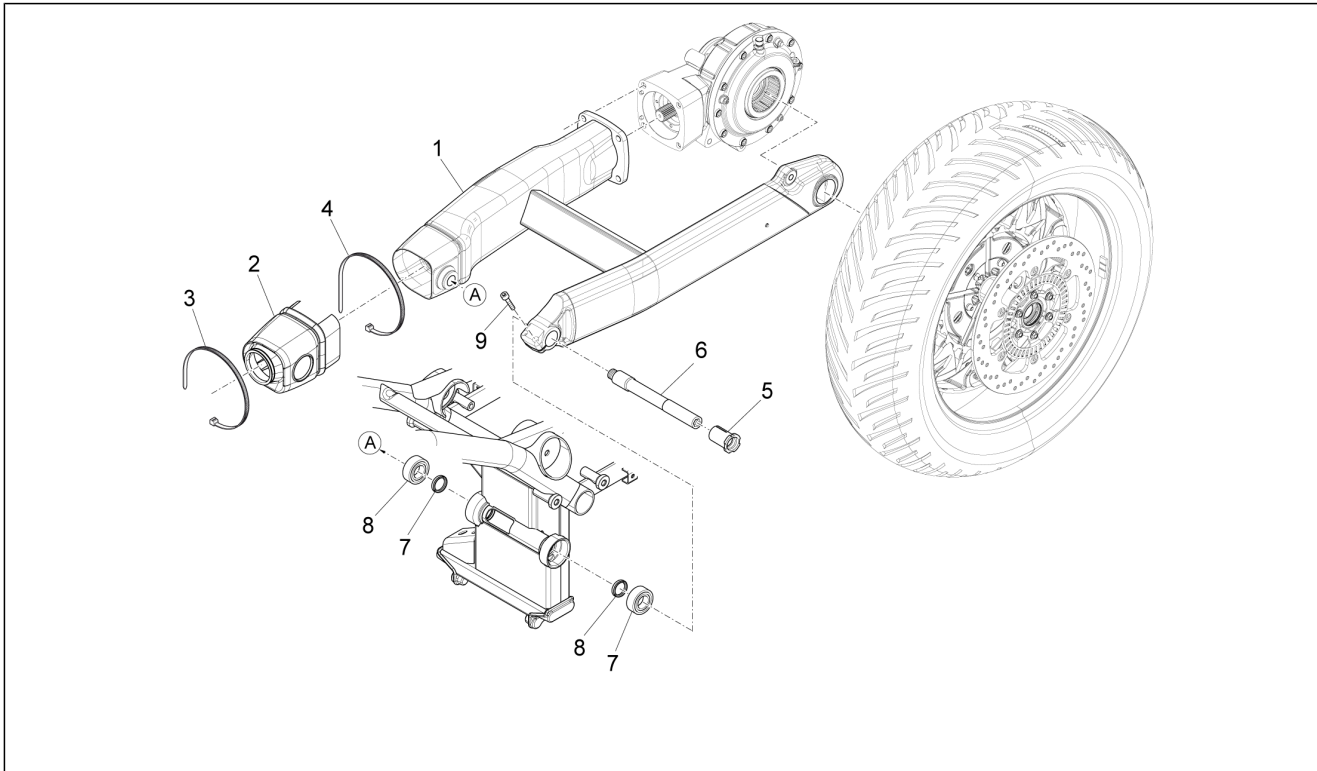
Pos.	Code	Description	Qty	Variants
1	B063430	Piastra cavalletto laterale completa	1	
2	AP8152220	Washer	3	
3	GU98680545	screw M10x45	3	
4	B063786	Lateral stand	1	
5	B063444	Perno rotazione cavalletto	1	
6	AP8152135	Nut M12x1,25	1	
7	GU95129240	Washer	1	
8	851550	Lateral stand plate	1	
9	AP8121014	Coil pull spring *	1	
10	AP8121015	Lateral stand external spring	1	
11	AP8102524	Stand spring protection	1	
12	639542	Button for the side stand	1	
13	GU98612216	Hex socket screw	2	
14	AP8150311	Low self-locking nut	2	
15	GU00823923140	Thermal sheath	1	

Group	Frame
Code	01.040
Description	Protection
Service	1



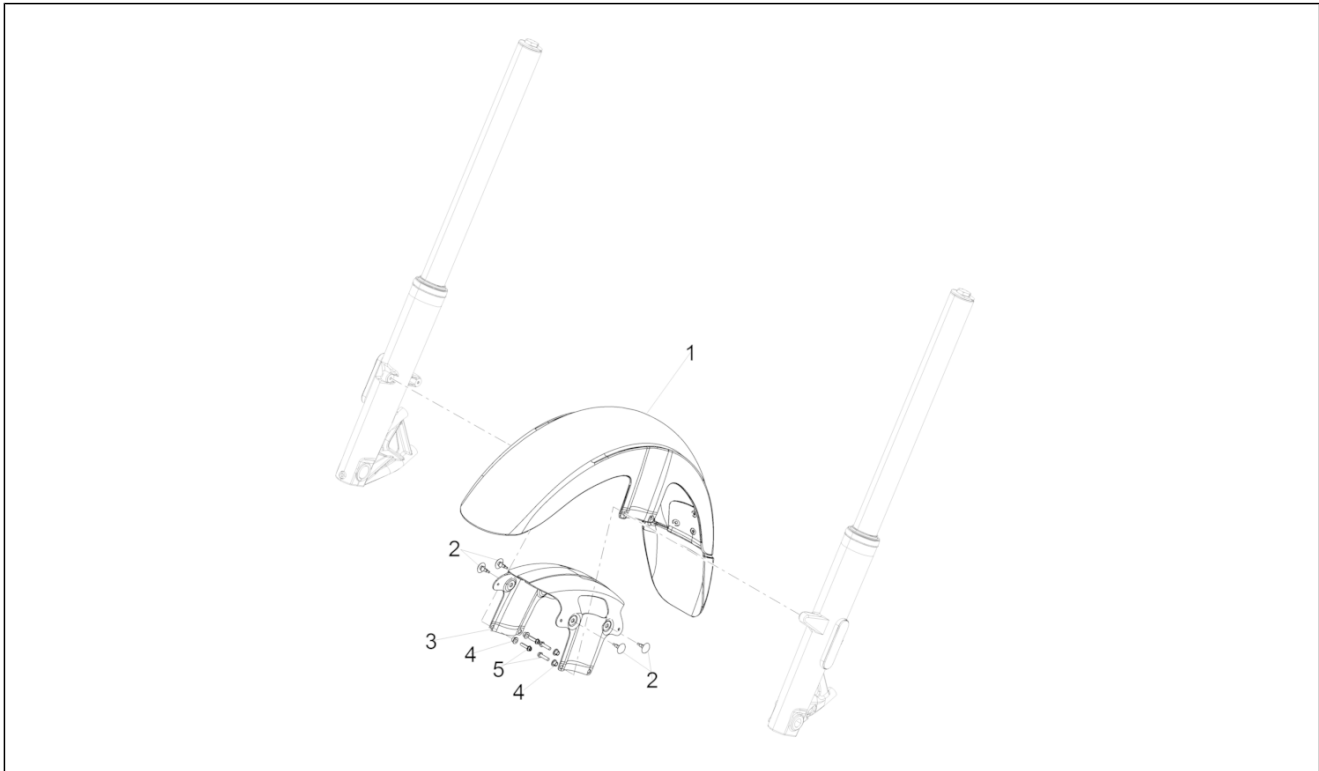
Pos.	Code	Description	Qty	Variants
1	B063902	Front grille	1	
2	B064001	Bracket	1	
3	B063717	LH cover	1	
4	B063716	RH cover	1	
5	AP8144616	Rivet, female	4	
6	AP8144563	Rivet, male	4	
7	AP8150500	Hex socket screw M5x9	7	
8	248419	Spring plate m5	2	
9	2B000217	Cover	1	
10	GU00823931080	Gasket PVC	1	

Group	Frame
Code	01.050
Description	Swing arm
Service	1



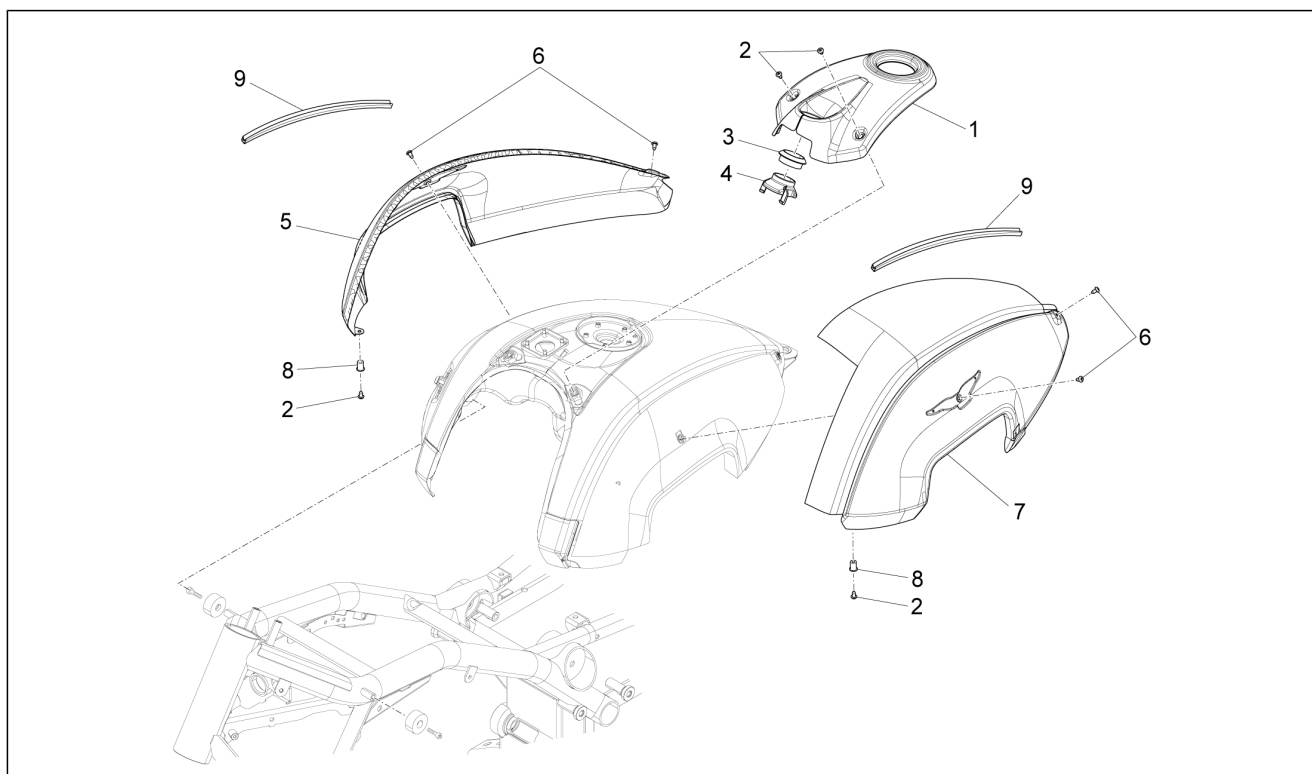
Pos.	Code	Description	Qty	Variants
1	886959	Swing arm	1	
2	887519	Rubber bellows	1	
3	GU93304390	Hose clamp 3,6x375	1	
4	B063759	Hose clamp 4.5x430	1	
5	GU05547130	Bush	1	
6	GU05547030	Pin	1	
7	GU92249224	Roller bearing 25x47x17	2	
8	GU05547930	Gasket ring	2	
9	GU98682325	Hex socket screw M6x25	2	

Group	Body
Code	02.030
Description	Front mudguard-Pillar
Service	1



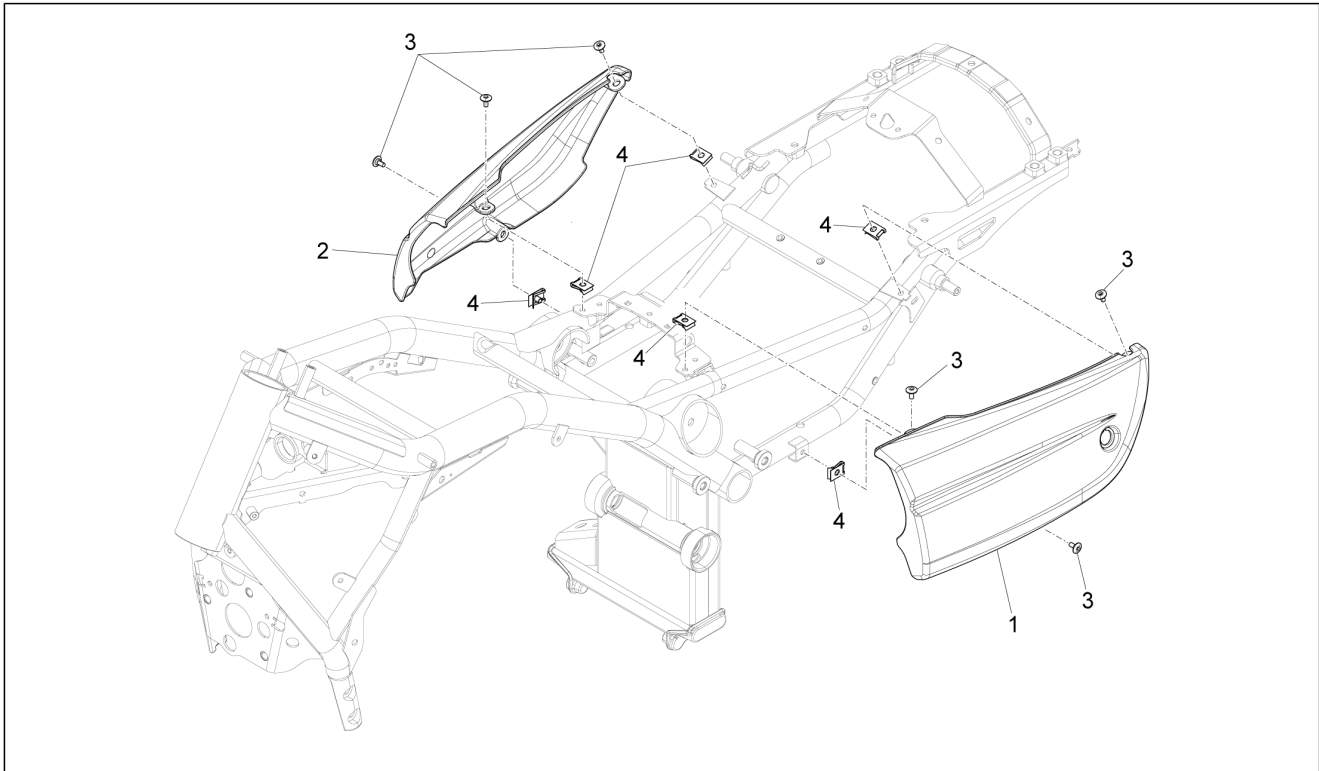
Pos.	Code	Description	Qty	Variants
1	B064099	Parafango anteriore grezzo	1	
1	B06409900XN2	Parafango anteriore nero	1	Vehicle colour:Competition Black[Nc]
1	B06409900YE5	Front mudguard, grey	1	Vehicle colour:Grigio Metallo[Gm]
2	AP8120001	Rubber spacer	4	
3	2B000041	Rinforzo parafango	1	
4	2B000056	Bush	4	
5	AP8152274	Screw w/ flange M5x20	4	

Group	Body
Code	02.090
Description	Tank cover
Service	1



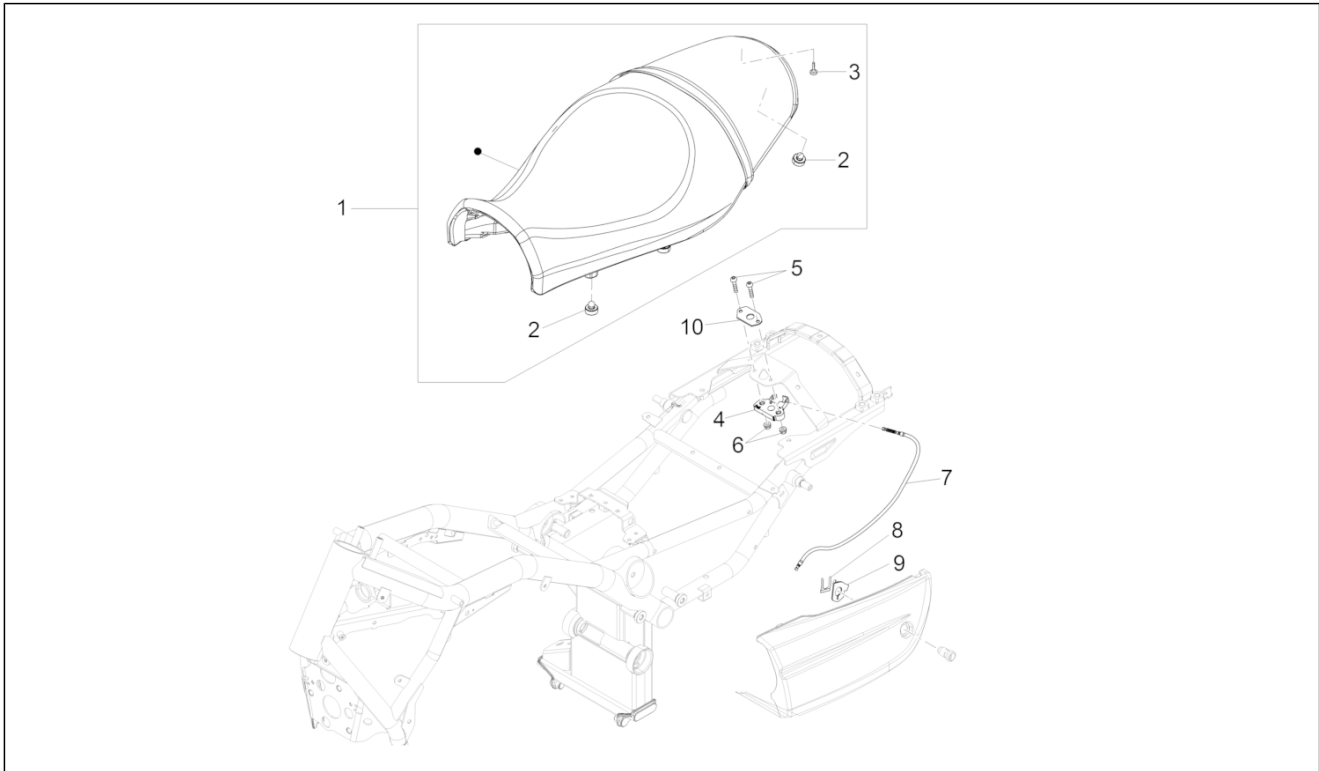
Pos.	Code	Description	Qty	Variants
1	B063478	Plancia chiave	1	
2	GU98370516	Hex socket screw	4	
3	AP8127461	Main switch seal	1	
4	898136	Protezione antenna immobilizer	1	
5	2B000161000XN2	Guancia serb. DX nero comp.	1	Vehicle colour:Competition Black[Nc]
5	2B000161000YE5	Guancia serb. DX grigio	1	Vehicle colour:Grigio Metallo[Gm]
5	B063181	Guancia serb. DX grezzo	1	
6	GU98350210	Hex socket screw	4	
7	2B000162000XN2	Guancia serb. SX nero comp.	1	Vehicle colour:Competition Black[Nc]
7	2B000162000YE5	Guancia serb. SX grigio	1	Vehicle colour:Grigio Metallo[Gm]
7	B063182	Guancia serb. SX grezzo	1	
8	AP8120531	Rubber w/ insert *	2	
9	GU00823931055	Gasket	2	

Group	Body
Code	02.100
Description	Central body
Service	1



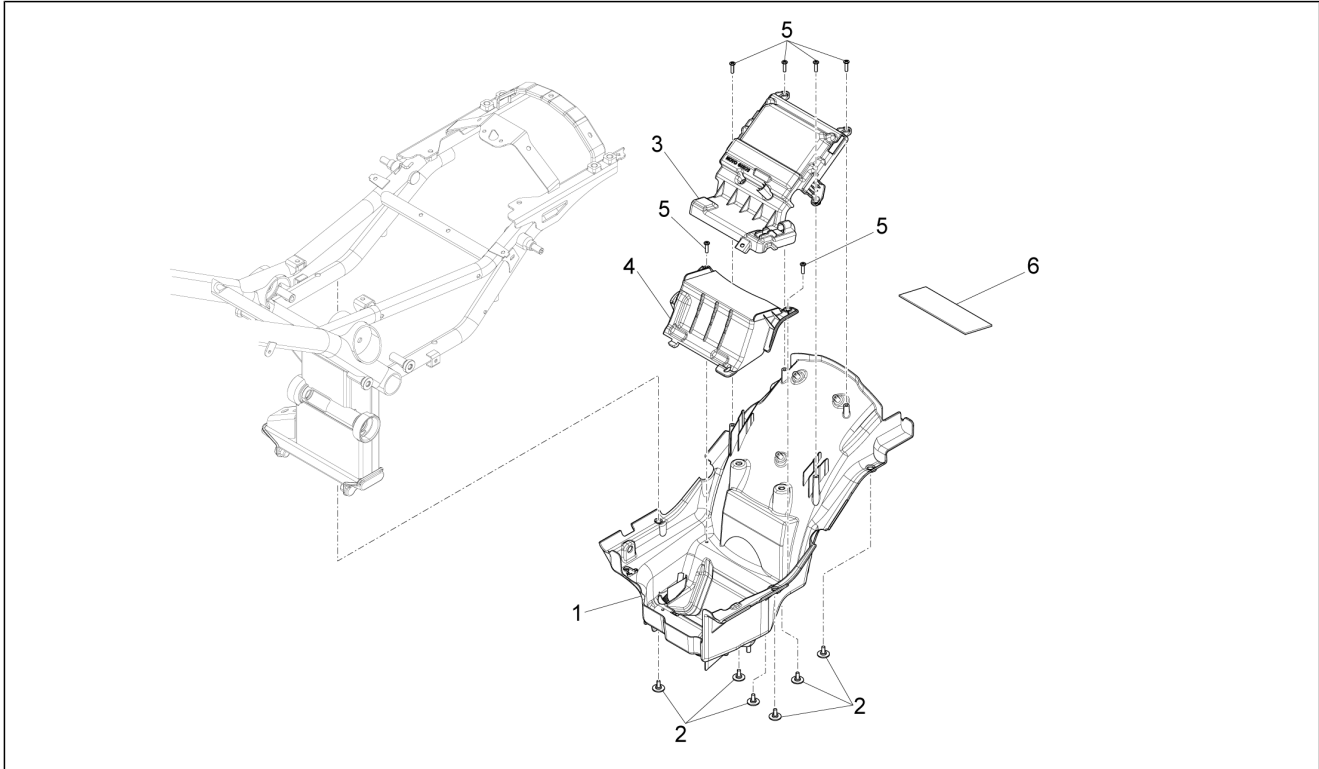
Pos.	Code	Description	Qty	Variants
1	887991	LH side panel, blank	1	
1	88799100XN2	LH side panel, black	1	Vehicle colour:Competition Black[Nc]
1	88799100YE5	LH side panel, grey	1	Vehicle colour:Grigio Metallo[Gm]
2	887990	RH side panel, blank	1	
2	88799000XN2	RH side panel, black	1	Vehicle colour:Competition Black[Nc]
2	88799000YE5	RH side panel, grey	1	Vehicle colour:Grigio Metallo[Gm]
3	AP8152339	Screw w/ flange M5x9	6	
4	248419	Spring plate m5	6	

Group	Body
Code	02.120
Description	Saddle
Service	1



Pos.	Code	Description	Qty	Variants
1	B06330100C1	Saddle assembly	1	
2	B064023	Saddle rubber	10	
3	B064024	Saddle rubber	1	
4	AP8102913	Pass.saddle connecting plate	1	
5	AP8152117	Hex socket screw	2	
6	AP8152299	Self-locking nut M6	2	
7	B063439	Saddle release cable	1	
8	978415	Cable fixing plate	1	
9	AP8121420	Fork spring	1	
10	886820	Saddle lock fix.plate	1	

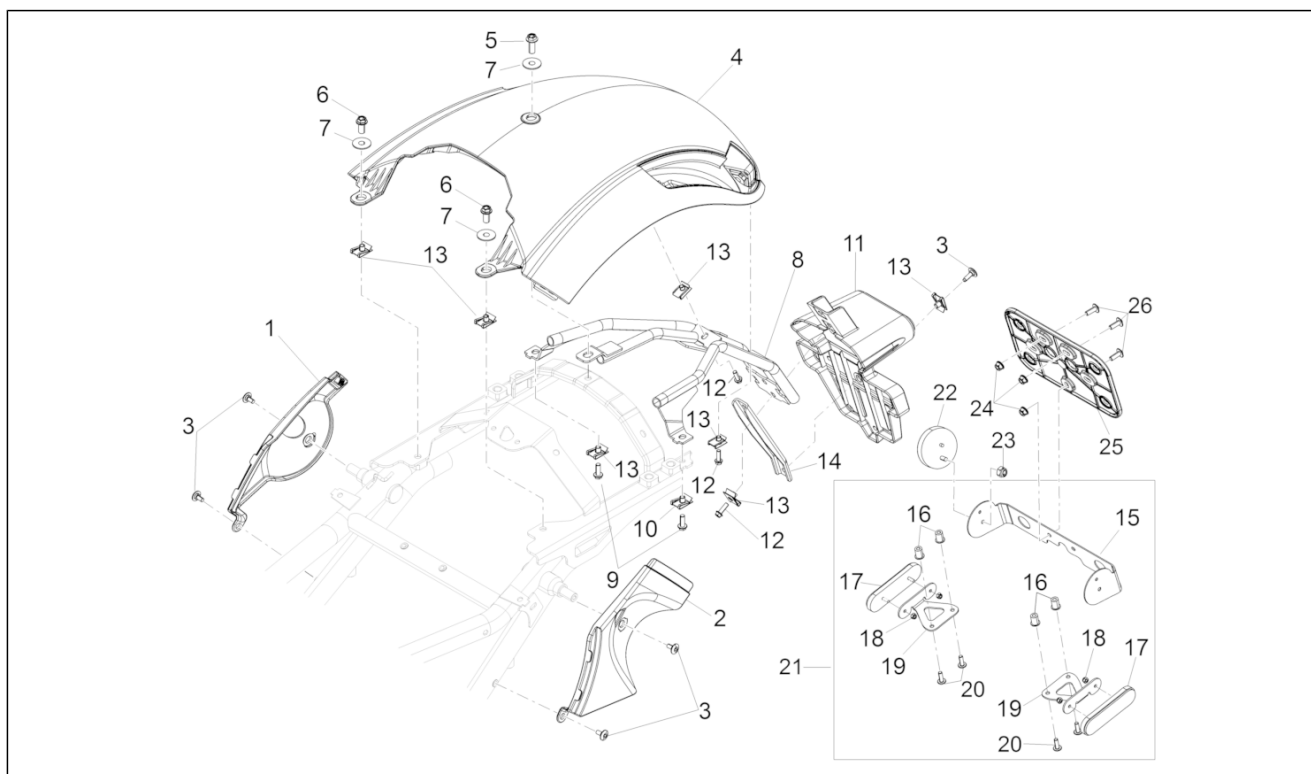
Group	Body
Code	02.130
Description	Saddle compartment
Service	1



Pos.	Code	Description	Qty	Variants
1	887488	Chiusura inferiore vano sella	1	
2	976591	Special screw	8	
3	887802	Battery cover	1	
4	887547	Battery holder	1	
5	AP8152329	Phillips screw, SWP M5x20	6	
6	AP8144552	Support rubber part	3	

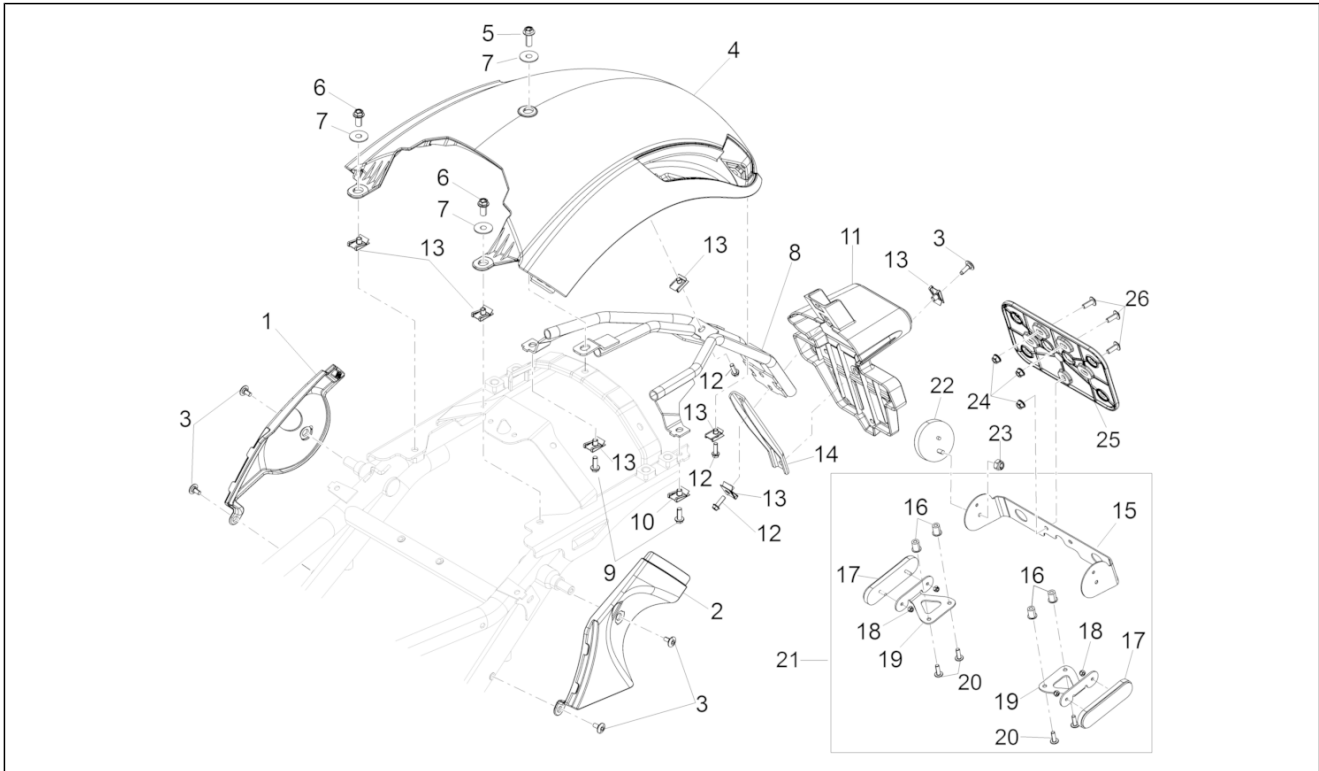


Group	Body
Code	02.150
Description	Rear mudguard
Service	1



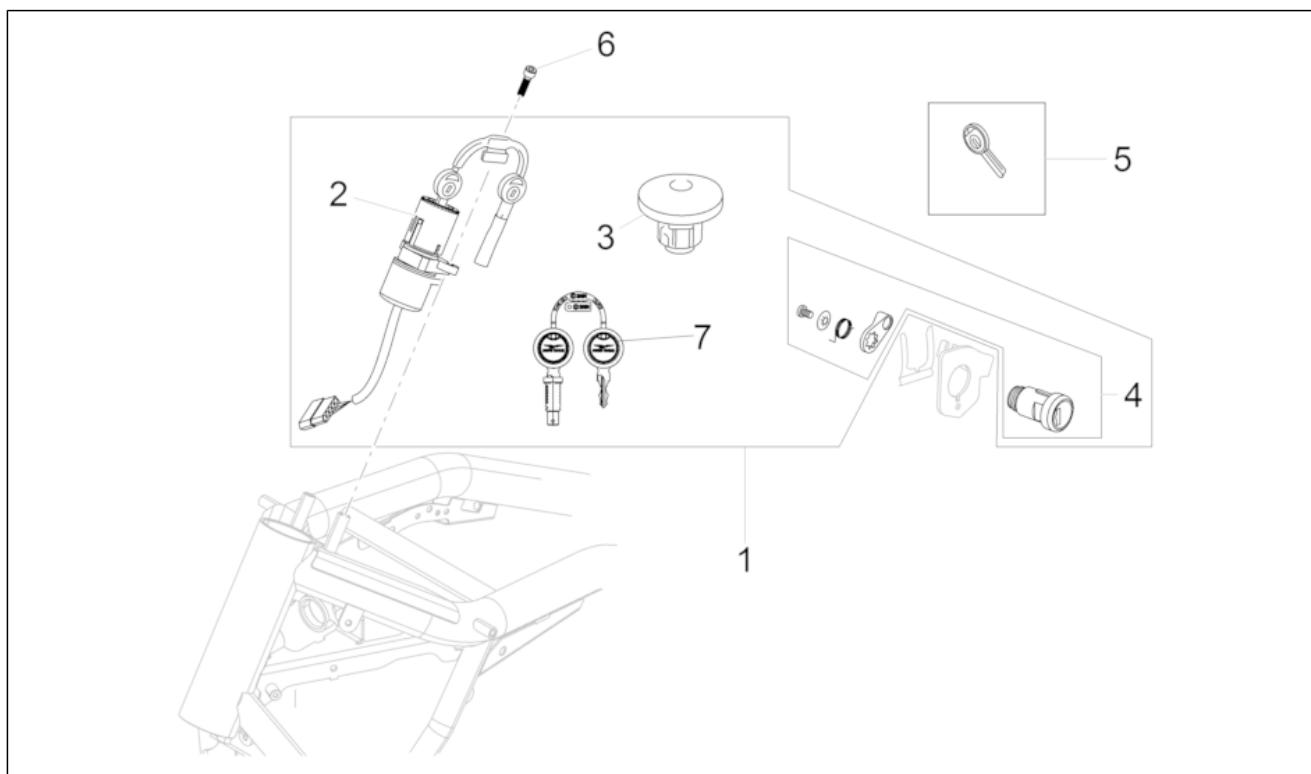
Pos.	Code	Description	Qty	Variants
1	B063116	Chiusura ammortizzatore DX grezzo	1	
1	B06311600XN2	Chiusura ammortizzatore DX nero	1	Vehicle colour:Competition Black[Nc]
1	B06311600YE5	Chiusura ammortizzatore DX	1	Vehicle colour:Grigio Metallo[Gm]
2	B063117	Chiusura ammortizzatore SX grezzo	1	
2	B06311700XN2	Chiusura ammortizzatore SX nero	1	Vehicle colour:Competition Black[Nc]
2	B06311700YE5	Chiusura ammortizzatore SX	1	Vehicle colour:Grigio Metallo[Gm]
3	AP8152339	Screw w/ flange M5x9	5	
4	887487	Rear mudguard blank	1	
4	88748700XN2	Rear mudguard, black	1	Vehicle colour:Competition Black[Nc]
4	88748700YE5	Rear mudguard, grey	1	Vehicle colour:Grigio Metallo[Gm]
5	AP8152285	Screw w/ flange	1	
6	AP8152273	Screw w/ flange M5x16	2	
7	AP8121114	T bush *	3	
8	B063302	Telaioetto parafango con PI	1	
9	AP8152278	Screw w/ flange M6x16	2	
10	254485	Spring plate M6	2	
11	B063303	Number plate support	1	
12	AP8152273	Screw w/ flange M5x16	4	
13	248419	Spring plate m5	5	
14	B063870	Number plate support	1	
15	2B000160	Lat. reflectors support	1	Country:Canadian[CND], United States of America[USA]
16	AP8120531	Rubber w/ insert *	4	Country:Canadian[CND], United States of America[USA]
17	AP8124718	Rear reflector, red	2	Country:Canadian[CND], United States of America[USA]
18	AP8150204	Nut M4	4	Country:Canadian[CND], United States of America[USA]
19	2B000159	Reflector support	2	Country:Canadian[CND], United States of America[USA]
20	AP8152298	Screw w/ flange M5x16	4	Country:Canadian[CND], United States of America[USA]
21	2B000082	Kit catadiottri posteriori USA-CDN	1	Country:Canadian[CND], United States of America[USA]
22	AP8224164	Rear reflector, red	2	Country:Canadian[CND], United States of America[USA]

Group	Body
Code	02.150
Description	Rear mudguard
Service	1



Pos.	Code	Description	Qty	Variants
23	AP8152306	Self-locking nut m5	2	Country:Canadian[CND], United States of America[USA]
24	AP8152299	Self-locking nut M6	3	Country:Canadian[CND], United States of America[USA]
25	AP8149034	Number plate support	1	Country:Canadian[CND], United States of America[USA]
26	AP8152246	Screw w/ flange M6x16	3	Country:Canadian[CND], United States of America[USA]

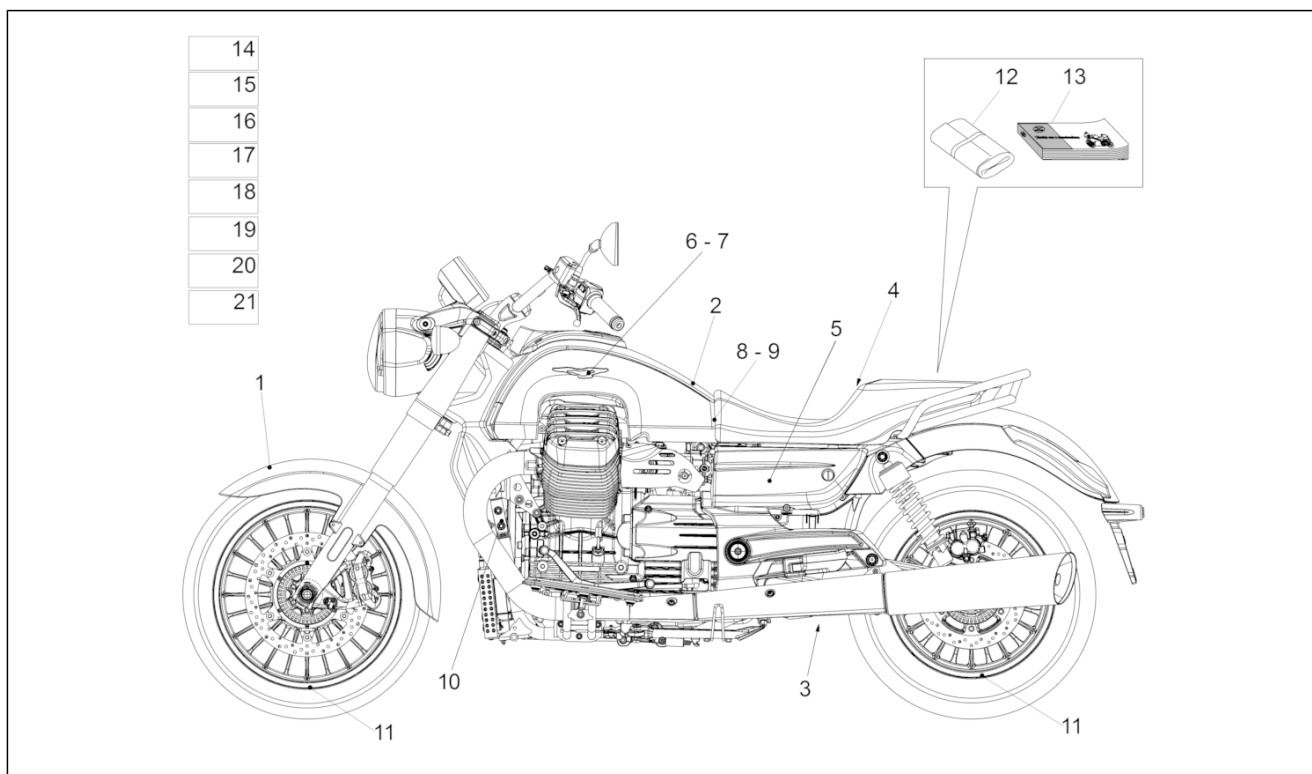
Group	Body
Code	02.170
Description	Locks
Service	1



Pos.	Code	Description	Qty	Variants
1	B063709	Lock kit	1	
2	2D000003	Commutatore con chiave	1	
3	883476	Tank cap	1	
4	977527	Serratura completa di chiavi	1	
5	2D000004	Chiave con transponder liscia	1	
6	GU98682414	Hex socket screw	2	
7	2D000006	Cilindretto serratura con chiave per tappo benzina	1	

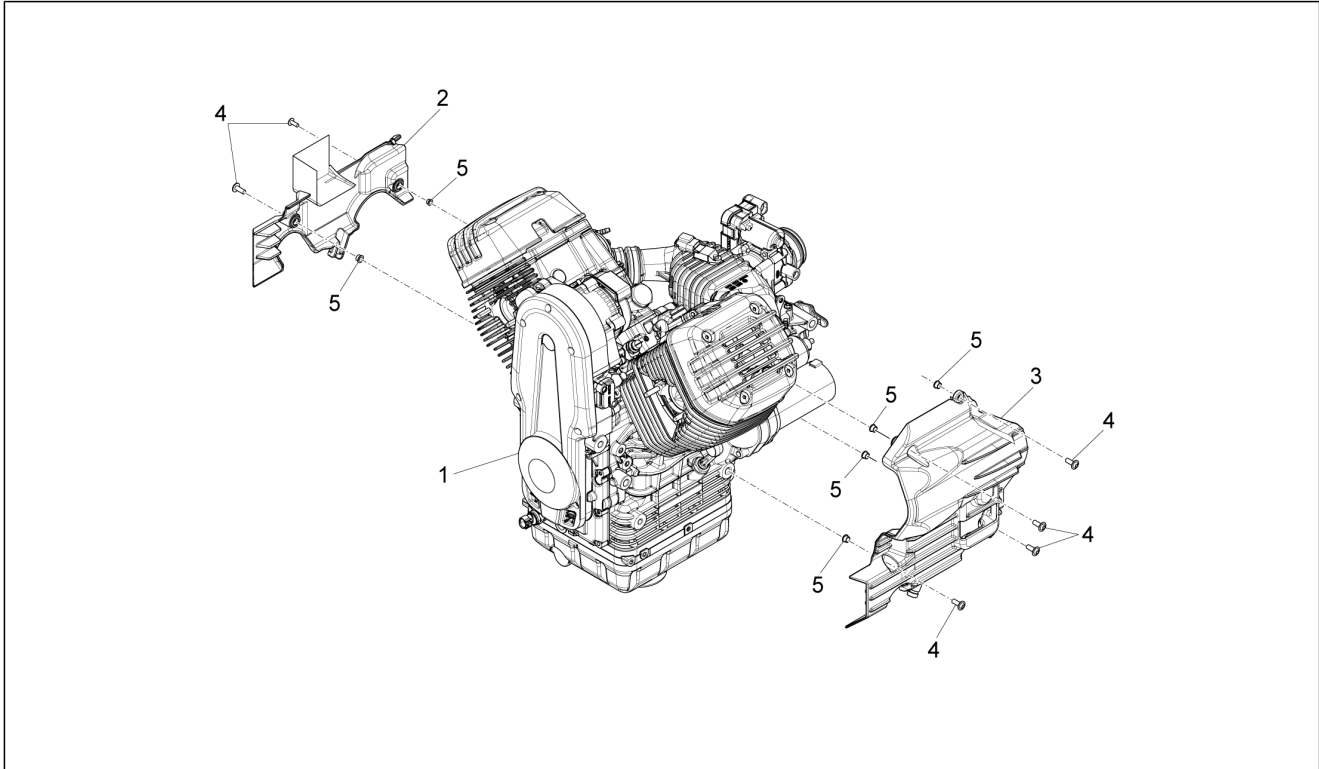


Group	Body
Code	02.190
Description	Decal
Service	1



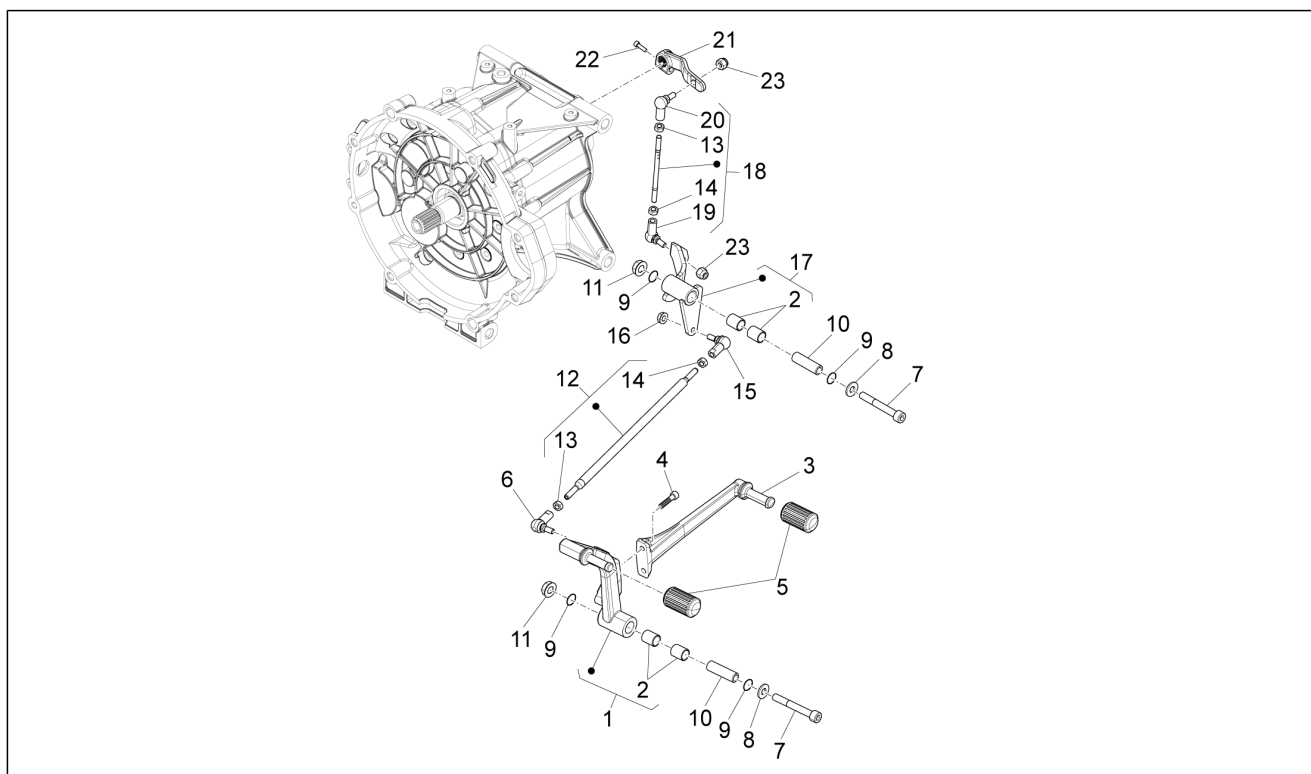
Pos.	Code	Description	Qty	Variants
1	886141	Decal "Aquila"	1	
2	GU05944930	Decal Engine Start	1	
3	895839	Targhetta "Eni"	1	
4	B063819	Tyre pressure decal	1	
5	B063950	Targhetta "California" dx-sx fianchetti	2	
6	B063642	Logo serbatoio DX	1	
7	B063643	Logo serbatoio SX	1	
8	2B000031	RH Guard decal	1	
9	2B000032	LH Guard decal	1	
10	GU05944530	Decal Warning	1	
11	887971	Decal "Moto Guzzi"	1	
12	2B000237	Toolkit	1	
13	2B000083	Op's handbook I-D-F-E-UK-NL USA-CND	1	
13	2Q000002	Op's handbook I-D-F-E-UK-NL I-F-D-NL-E-UK	1	
14	B063814	Emission control sticker	1	Country:Canadian[CND], United States of America[USA]
15	B063813	Noise emission sticker	1	Country:Canadian[CND], United States of America[USA]
16	B063815	Carbon filter sticker	1	Country:Canadian[CND], United States of America[USA]
17	B045974	Fuel decal E15	1	Country:Canadian[CND], United States of America[USA]
18	AP8257609	Mirror decal	1	Country:Canadian[CND], United States of America[USA]
19	AP8257794	Battery decal	1	Country:Canadian[CND], United States of America[USA]
20	GU32517710	Decal "Battery service"	1	Country:Canadian[CND], United States of America[USA]
21	B064117	Tyre pressure decal	1	Country:Canadian[CND], United States of America[USA]

Group	Engine
Code	03.010
Description	Engine-Completing part-Lever
Service	1



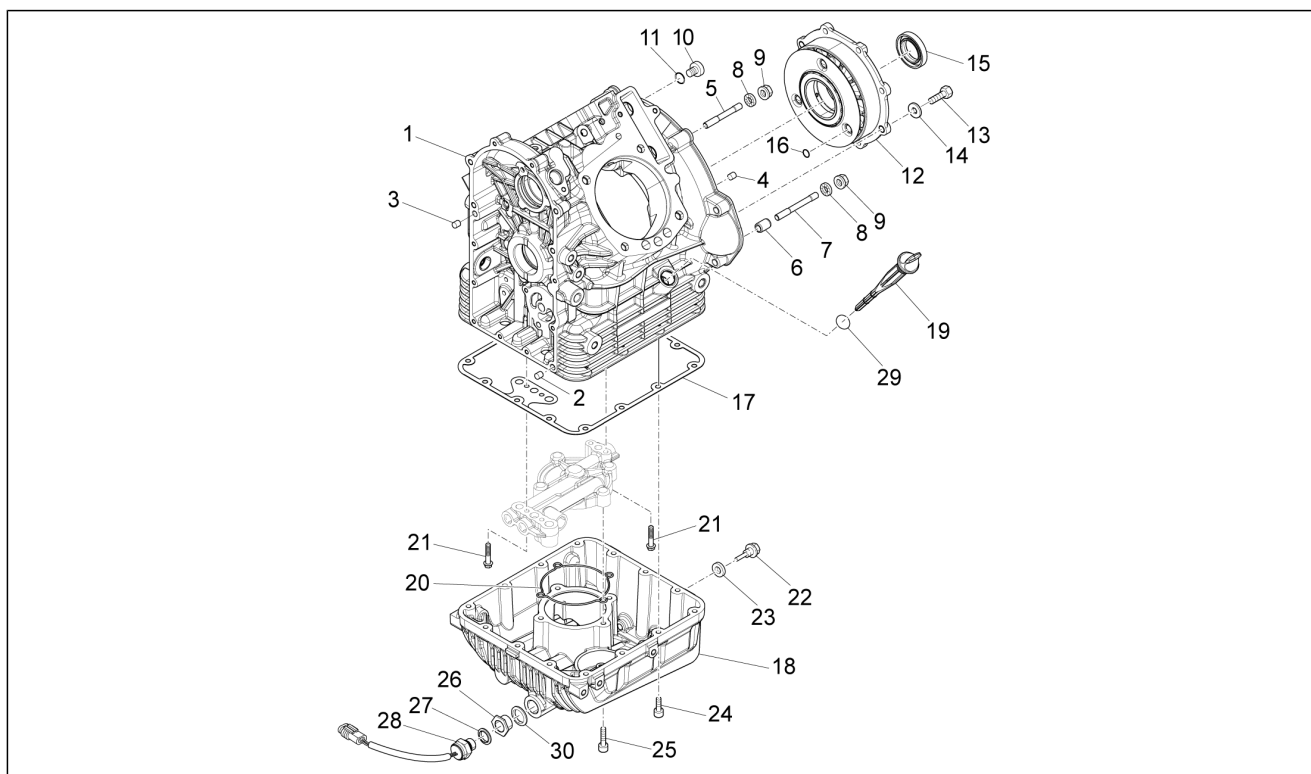
Pos.	Code	Description	Qty	Variants
1	9769965	Engine assy w/hout transm.	1	
2	B063306	Rh cover	1	
3	B063143	Starter motor cover	1	
4	GU98210616	Screw w/ flange M6x16 inox	6	
5	GU91120606	Bushing 6,8x8,8x5,8	6	

Group	Engine
Code	03.020
Description	Gear lever
Service	1



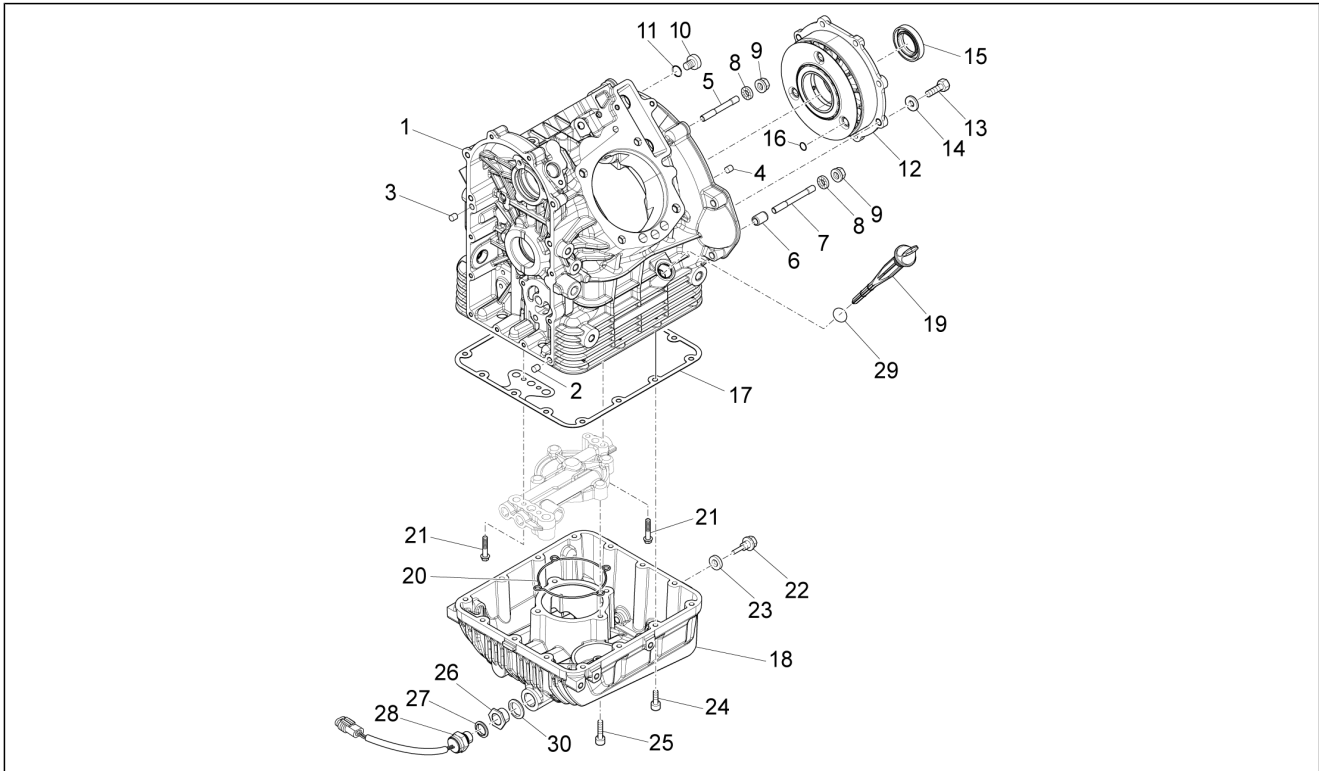
Pos.	Code	Description	Qty	Variants
1	B063035	Gear lever I	1	
2	895328	Bussola sinterizzata	2	
3	B063751	Gear lever II	1	
4	GU98682325	Hex socket screw M6x25	2	
5	GU13432640	Rubber pedal	2	
6	898397	Left ball joint M6	1	
7	GU98680460	Hex socket screw M8x60	2	
8	GU95008308	Washer	2	
9	AP8144007	O-ring 11,11x1,78	4	
10	B063903	Spacer	2	
11	AP8152300	Self-locking nut M8	2	
12	887510	Tie rod assembly	1	
13	GU92606206	Nut	1	
14	GU31256881	Nut M6	1	
15	898396	RH ball joint M6	1	
16	GU92630707	Nut	1	
17	887318	Lever	1	
18	B063639	Tie rod assembly	1	
19	AP8210007	RH ball joint M6	1	
20	AP8110053	Left ball joint M6	1	
21	GU05256930	Lever	1	
22	GU98682320	Hex socket screw M6x20	1	
23	GU92630206	Nut M6x1	2	

Group	Engine
Code	03.030
Description	Crankcases I
Service	1



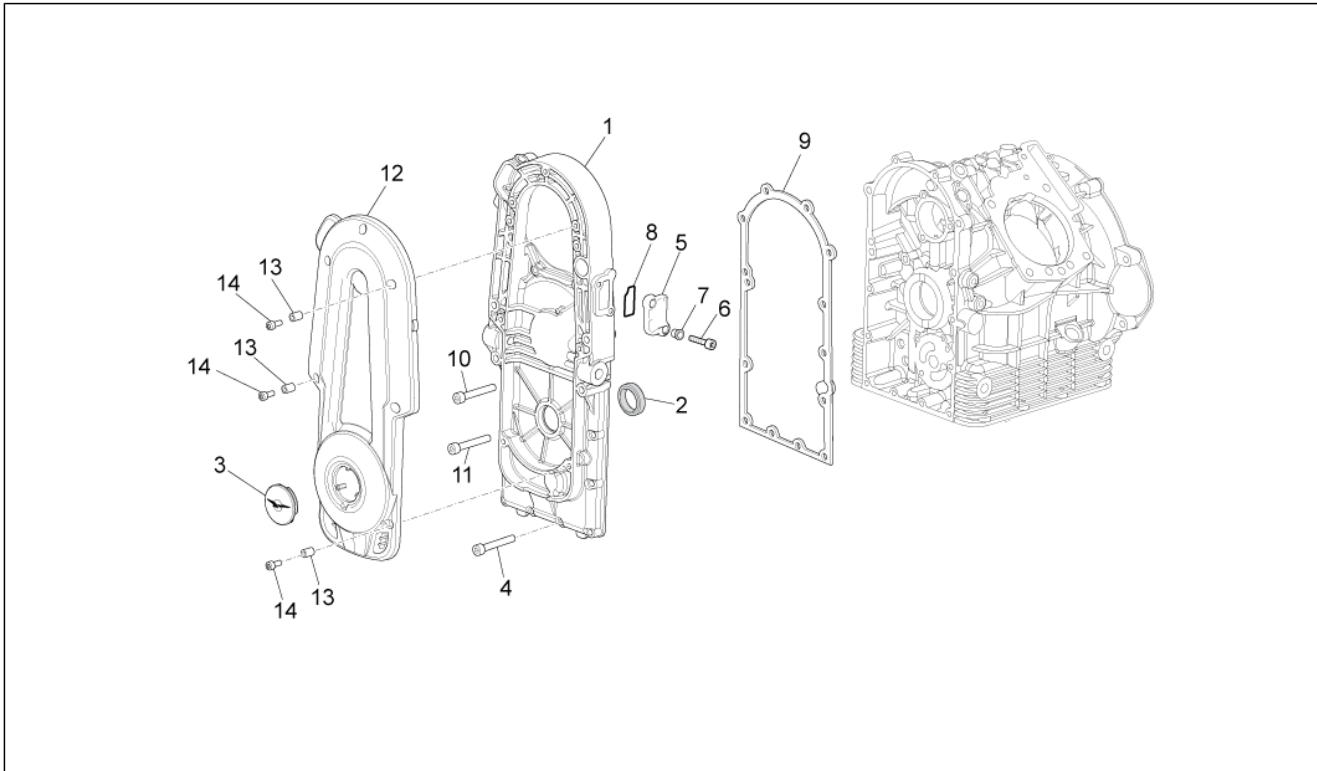
Pos.	Code	Description	Qty	Variants
1	886908	Crankcase, grey	1	
2	411209	Pin	2	
3	GU95512081	Pin	2	
4	560110	Pin	1	
5	GU96508066	Stud bolt M8X66	3	
6	GU12018900	Coupling bush	2	
7	GU96508075	Stud bolt M8x75	2	
8	GU14615901	Washer 8,4X13X0,8	5	
9	GU92660021	Flanged nut M8	5	
10	GU12022600	Oil plug	2	
11	GU90706203	O-ring 20,24X2,62	2	
12	976703	Complete flange	1	
13	GU98084425	Hex screw M8x25	8	
14	GU61270300	Spring washer 8x15x0,3	8	
15	GU90405367	Gasket ring	1	
16	874980	O-ring 7,5X2	1	
17	B063861	Sump gasket	1	
18	B063271	Motor oil cup	1	
19	B063898	Oil dipstick	1	
20	B063850	Gasket	1	
21	AP8152284	Screw w/ flange	4	
22	GU31003766	Oil unload plug M10x1	1	
23	GU01528930	Gasket 10x18x1,5	1	
24	GU98682330	Hex socket screw M6x20	14	
25	AP8150285	Hex socket screw M6x35	4	
26	B063846	Joint	1	
27	GU01154230	Gasket	1	
28	B063461	Thermometric switch	2	

Group	Engine
Code	03.030
Description	Crankcases I
Service	1



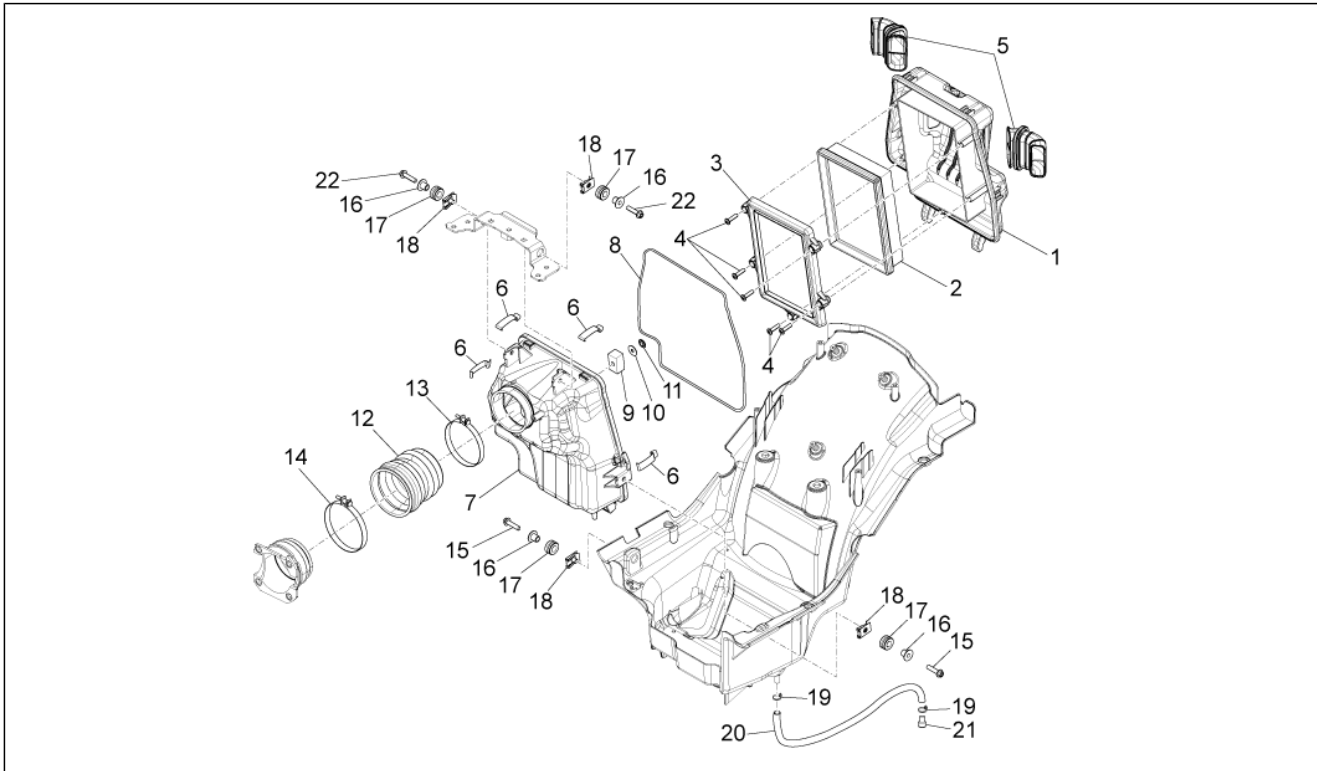
Pos.	Code	Description	Qty	Variants
29	GU90706178	O-ring 17,86X2,62	1	
30	GU95100709	Gasket 20,1x28x2	1	

Group	Engine
Code	03.040
Description	Crankcases I
Service	1



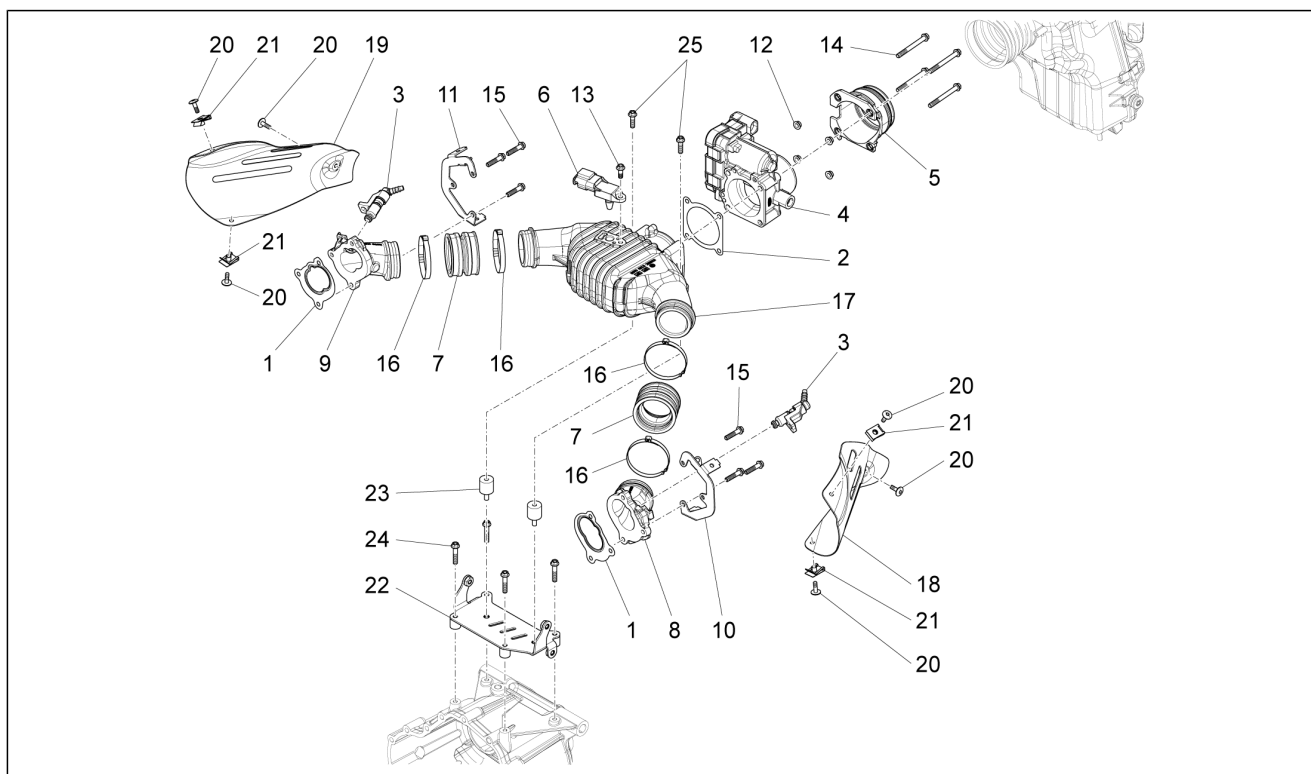
Pos.	Code	Description	Qty	Variants
1	82999R	Timing system cover	1	
2	GU90412237	Gasket ring 22x35x7viton	1	
3	GU05002130	Cover	1	
4	GU98620335	screw M6x35	1	
5	976554	Cover	1	
6	GU98682320	Hex socket screw M6x20	2	
7	GU91120607	Bushing 6,4x8,4x10,5	2	
8	GU90706347	O-ring 34,65x1,78viton	1	
9	976478	Cover gasket	1	
10	GU98620455	Hex socket screw M8x55	4	
11	GU98620330	screw	9	
12	GU05001630	Alternator cover grey	1	
13	GU91120606	Bushing 6,8x8,8x5,8	6	
14	GU98682316	Hex socket screw M6x16	6	

Group	Engine
Code	03.050
Description	Air box
Service	1



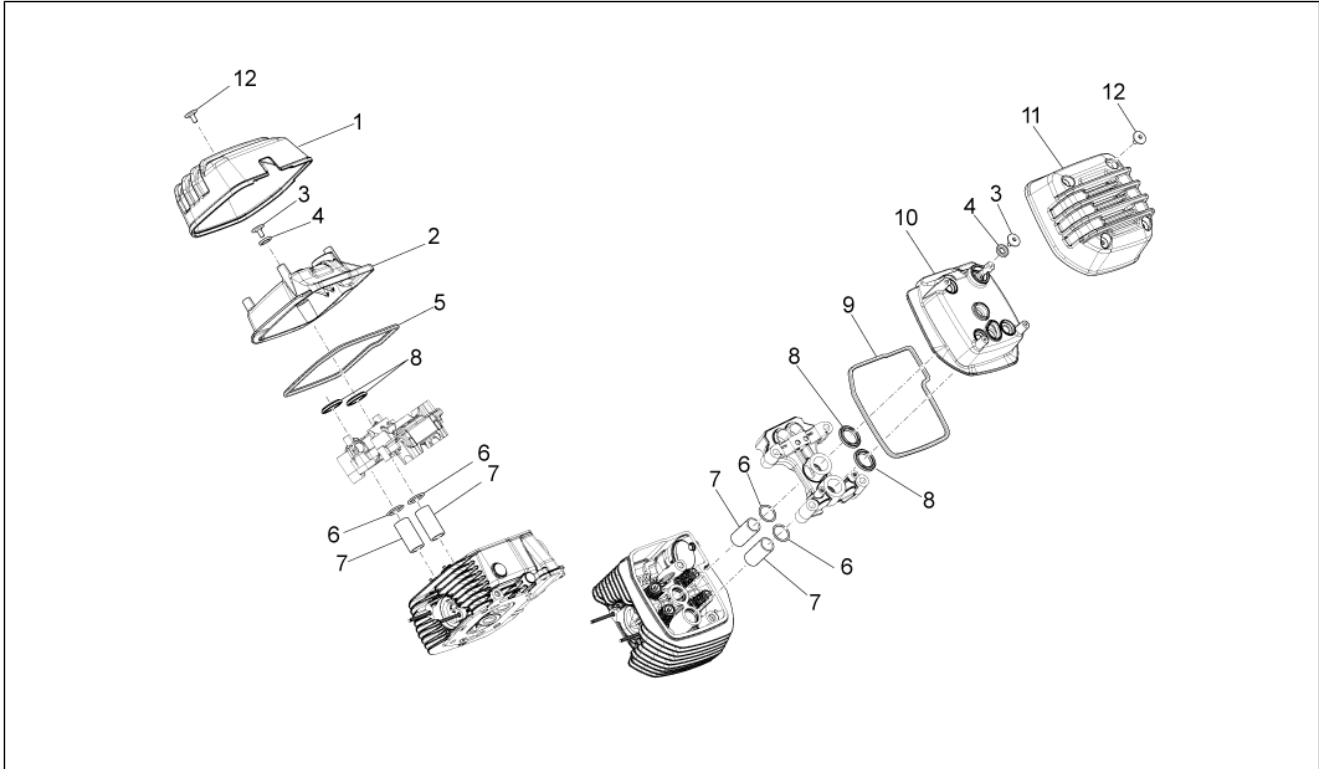
Pos.	Code	Description	Qty	Variants
1	886859	Guscio superiore scatola filtro	1	
2	AP8104329	Air filter	1	
3	886867	Filter support	1	
4	AP8152329	Phillips screw, SWP M5x20	5	
5	886861	Intake hose	2	
6	622236	Spring	4	
7	886860	Guscio inferiore scatola filtro	1	
8	AP8120615	Gasket D3	1	
9	B063477	Filtro blow-by	1	
10	567603	Washer	1	
11	AP8150450	Washer for shafts D5	1	
12	886871	Manicotto cassa filtro	1	
13	B063957	Hose clamp D76	1	
14	GU93306070	Clamp 70x90x9	1	
15	AP8152280	Screw w/ flange M6x25	4	
16	AP8221023	T bush	4	
17	AP8120030	Rubber spacer	4	
18	254485	Spring plate M6	4	
19	AP8101595	Hose clamp D10,1	2	
20	AP8144038	Fuel pipe 6x10	1	
21	AP8120876	Plug	1	
22	AP8152279	Screw w/ flange M6x20	2	

Group	Engine
Code	03.060
Description	Throttle body
Service	1



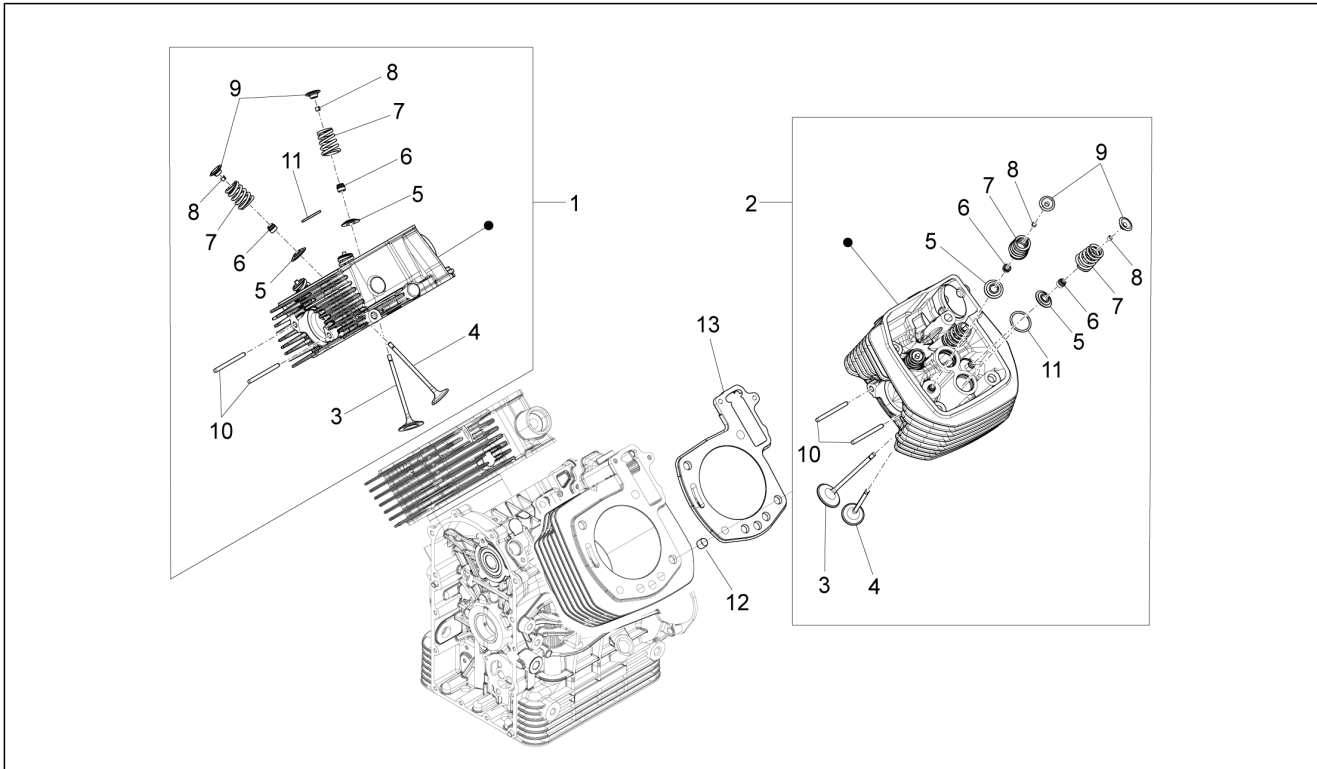
Pos.	Code	Description	Qty	Variants
1	887979	Induction joint gasket	2	
2	872264	Gasket	1	
3	B063442	Injector	2	
4	872230	Throttle body	1	
5	B063333	Trombocino corpo farfallato	1	
6	887015	Air temp. Sensor	1	
7	887808	Throttle body hose	2	
8	8871714	Union pipe SX	1	
9	8871724	Union pipe DX	1	
10	B063160	LH clamp	1	
11	B063161	RH clamp	1	
12	887282	Bussola a T	4	
13	AP8152278	Screw w/ flange M6x16	1	
14	B016425	Screw w/ flange M6x60	4	
15	B017633	Hex socket screw	6	
16	857306	Hose clamp	4	
17	2A000030	Volume compensatore	1	Country:Canadian[CND], United States of America[USA]
17	886846	Volume compensatore	1	
18	B063158	LH protection	1	
19	B063159	RH protection	1	
20	976614	Screw M5X15	6	
21	248419	Spring plate m5	4	
22	886869	Support bracket	1	
23	GU93222023	Silent-block	2	
24	B017633	Hex socket screw	4	
25	AP8152278	Screw w/ flange M6x16	2	

Group	Engine
Code	03.090
Description	Head cover
Service	1



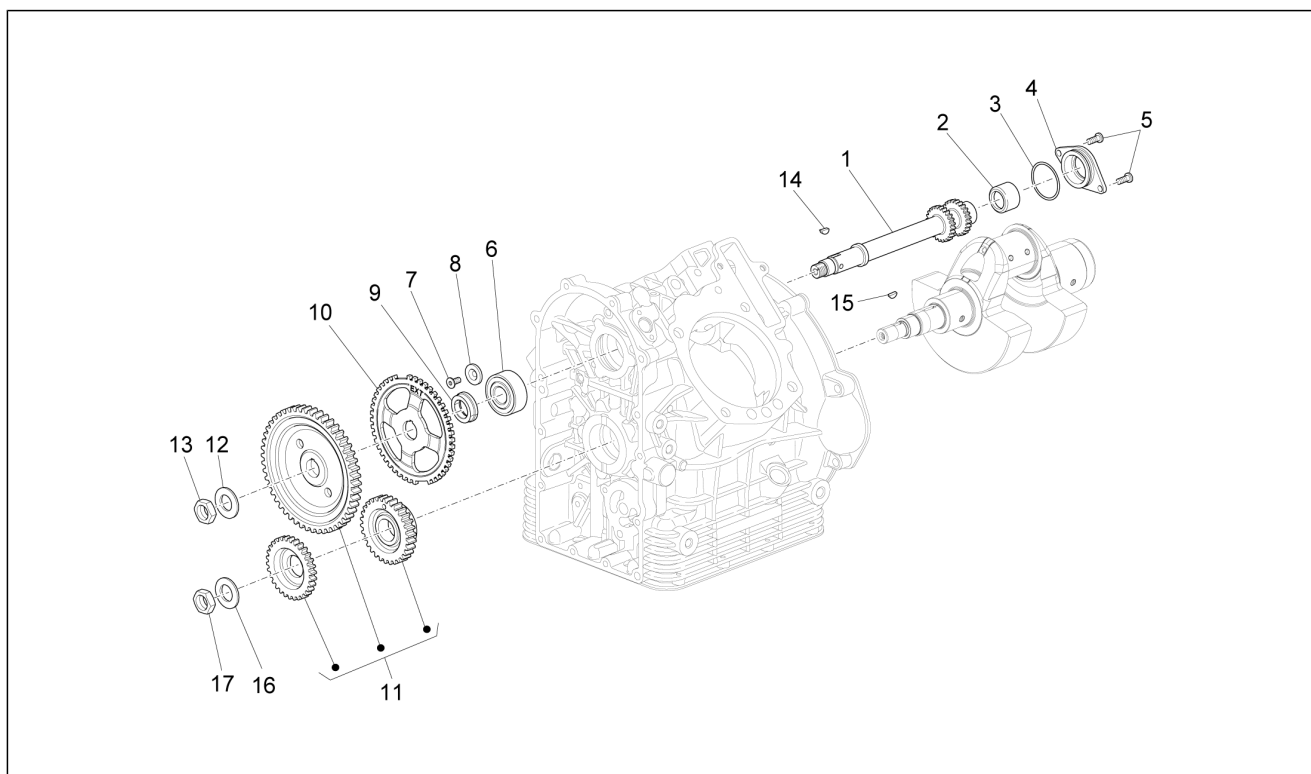
Pos.	Code	Description	Qty	Variants
1	B064262	Cover DX	8	
2	887805	RH Head cover	1	
3	976591	Special screw	8	
4	879975	Damper drift	8	
5	872742	RH gasket	1	
6	873626	O-ring 26X2,5	4	
7	879987	Spark plug pipe	4	
8	880127	Gasket	4	
9	872741	LH gasket	1	
10	887334	LH Head cover	1	
11	B064263	Cover SX	1	
12	887956	Vite coperchio testa	1	

Group	Engine
Code	03.100
Description	Cylinder head - valves
Service	1



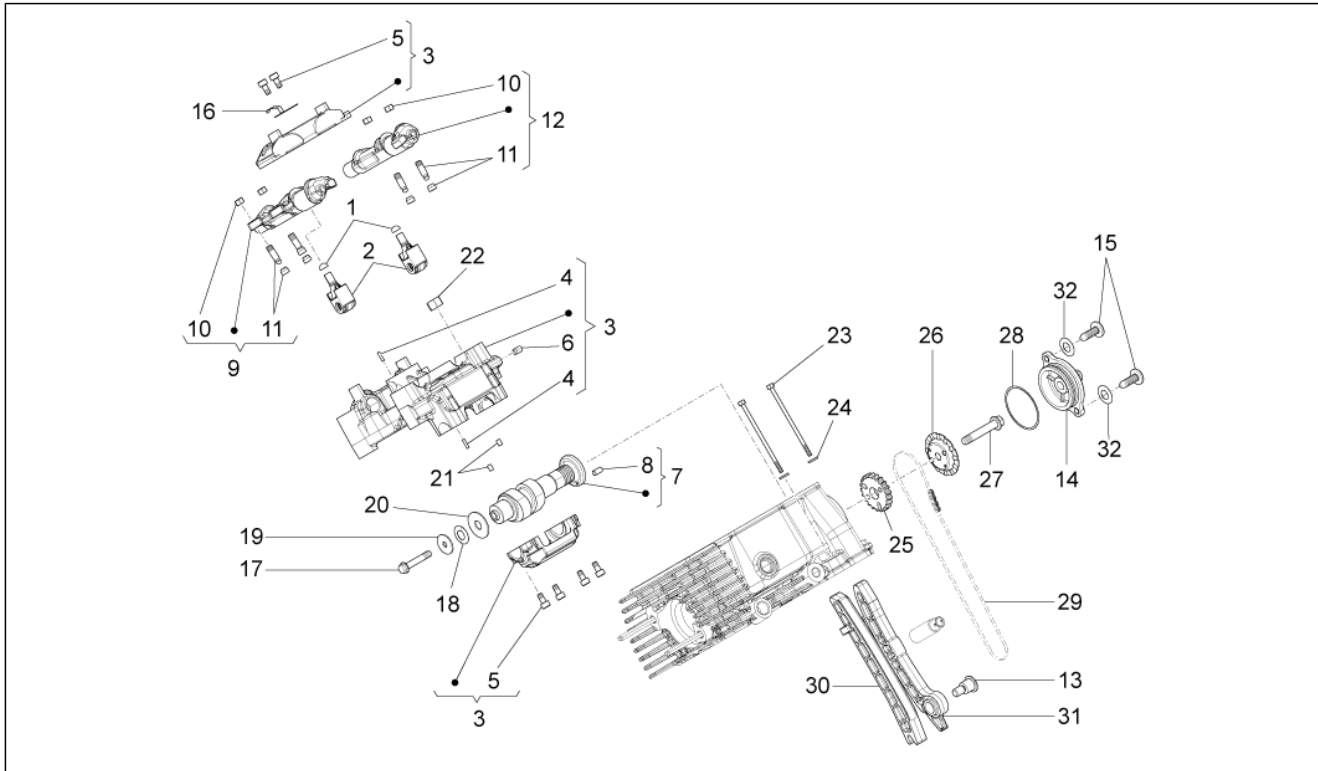
Pos.	Code	Description	Qty	Variants
1	887164	RH head assy w/h valve	1	
2	887163	LH head assy with valve	1	
3	872695	Intake valve	4	
4	872696	Exhaust valve	4	
5	874127	Lower cup	8	
6	436438	Valve gasket ring	8	
7	B013517	Valve spring	8	
8	285846	Valve half-cone	16	
9	874126	Upper cup	8	
10	B017636	Exhaust pipe stud bolt	4	
11	873626	O-ring 26X2,5	4	
12	825597	Pin 11,8X10	8	
13	887454	Cylinder head gasket sp.0,8	1	
13	887455	Cylinder head gasket sp.1	1	
13	887456	Cylinder head gasket sp0,6	1	

Group	Engine
Code	03.120
Description	Timing system
Service	1



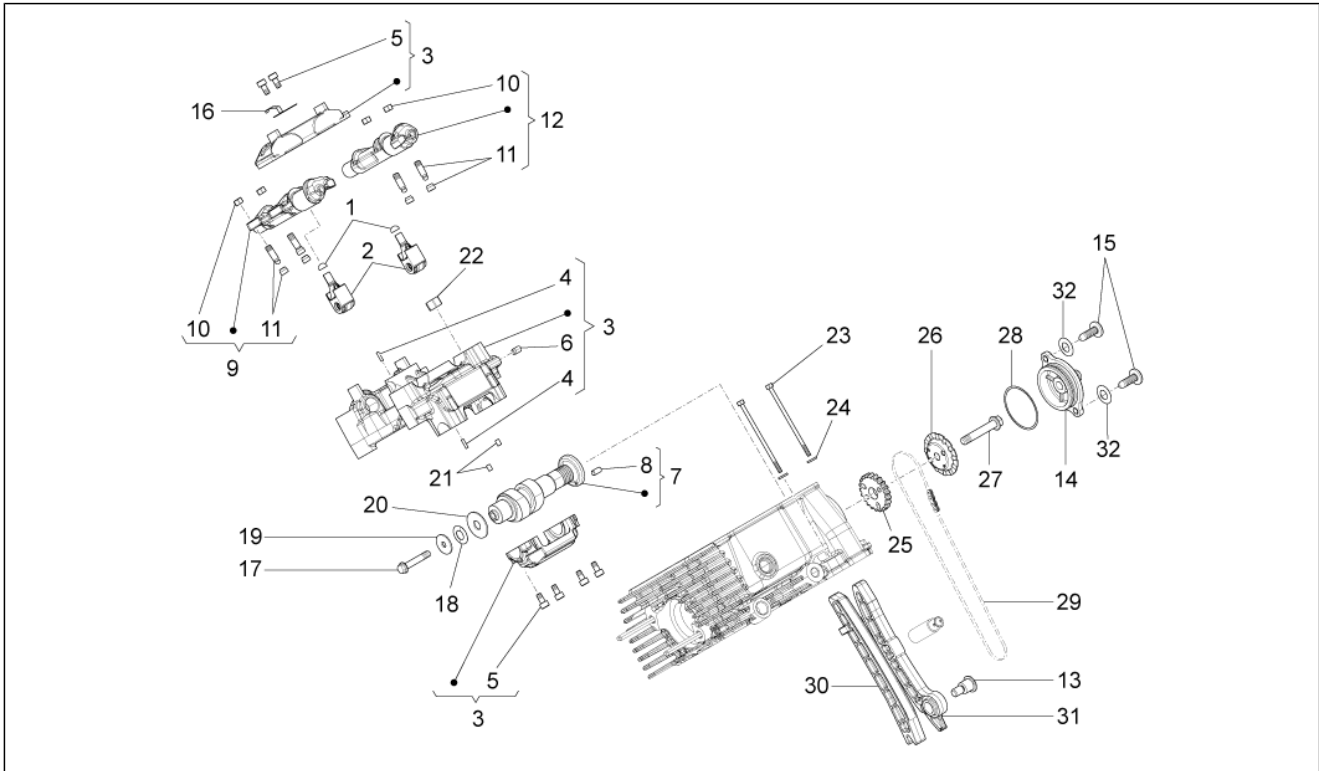
Pos.	Code	Description	Qty	Variants
1	976330	Timing system	1	
2	976381	Roller cage 25x32x12	1	
3	976488	O-ring 37,82x1,78	1	
4	976331	Flange	1	
5	GU98350315	Hex socket screw M6x14	2	
6	976355	Ball bearing 20x47x18	1	
7	AP8152166	screw M6x16	1	
8	873928	Washer	1	
9	887524	Spacer	1	
10	887030	Wheel speed sensor, left front	1	
11	85269R	Gear kit	1	
12	GU14433400	Spring washer 19x34x1,5	1	
13	829232	Nut M18x1,5	1	
14	887044	Tab 4x5	1	
15	GU91600365	Transmission key 3x6,5	1	
16	976665	Belleville spring	1	
17	976649	Nut M25x1,5	1	

Group	Engine
Code	03.135
Description	RH cylinder timing system
Service	1



Pos.	Code	Description	Qty	Variants
1	878574	Pad	2	
2	B016785	Tappet	2	
3	887161	Rockers axle support DX	1	
4	872759	Pin D. 2,5	4	
5	015792	screw M8x30	6	
6	842360	Plug M6x10	1	
7	B014576	Cam axle	1	
8	976589	Pin	1	
9	B0136034	Bilanciere aspirazione sx scarico dx	1	
10	879916	Rocker arm adjuster nut	4	
11	879707	Adjuster screw	4	
12	B0136054	Bilanciere aspirazione dx scarico sx	1	
13	878868	Spacer screw M8	1	
14	B013479	Breather cover cpl.	1	
15	875173	Torx convex big end screw	2	
16	B013661	Plate	1	
17	414837	Screw w/ flange M6x25	1	
18	879938	Belleville spring	1	
19	879936	Shim washer	1	
20	879937	Shim washer	1	
21	B013552	Roller	2	
22	825694	Nut M10x1,25	8	
23	487444	Screw w/ flange M6x120	2	
24	976674	Plain washer 12x6,1x2	2	
25	976350	Timing gear	1	
26	874601	sheet oil breather	1	
27	843060	Screw w/ flange	1	
28	880965	Gasket ring 2,62x46,52	0	

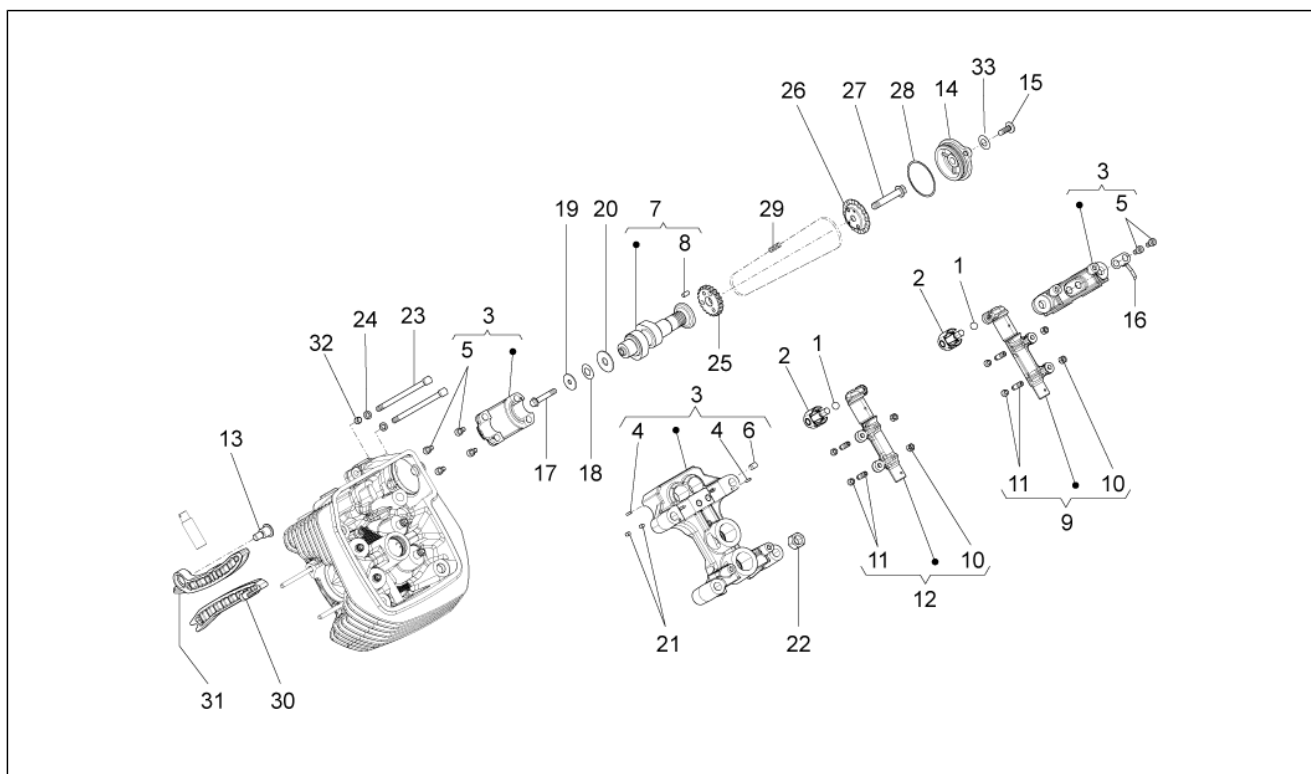
Group	Engine
Code	03.135
Description	RH cylinder timing system
Service	1



Pos.	Code	Description	Qty	Variants
29	976341	Camshaft chain	1	
30	976338	Chain guide plate	1	
31	976337	Chain tensioner sliding block	1	
32	GU95129100	Spring washer 5,3X10X0,5	2	

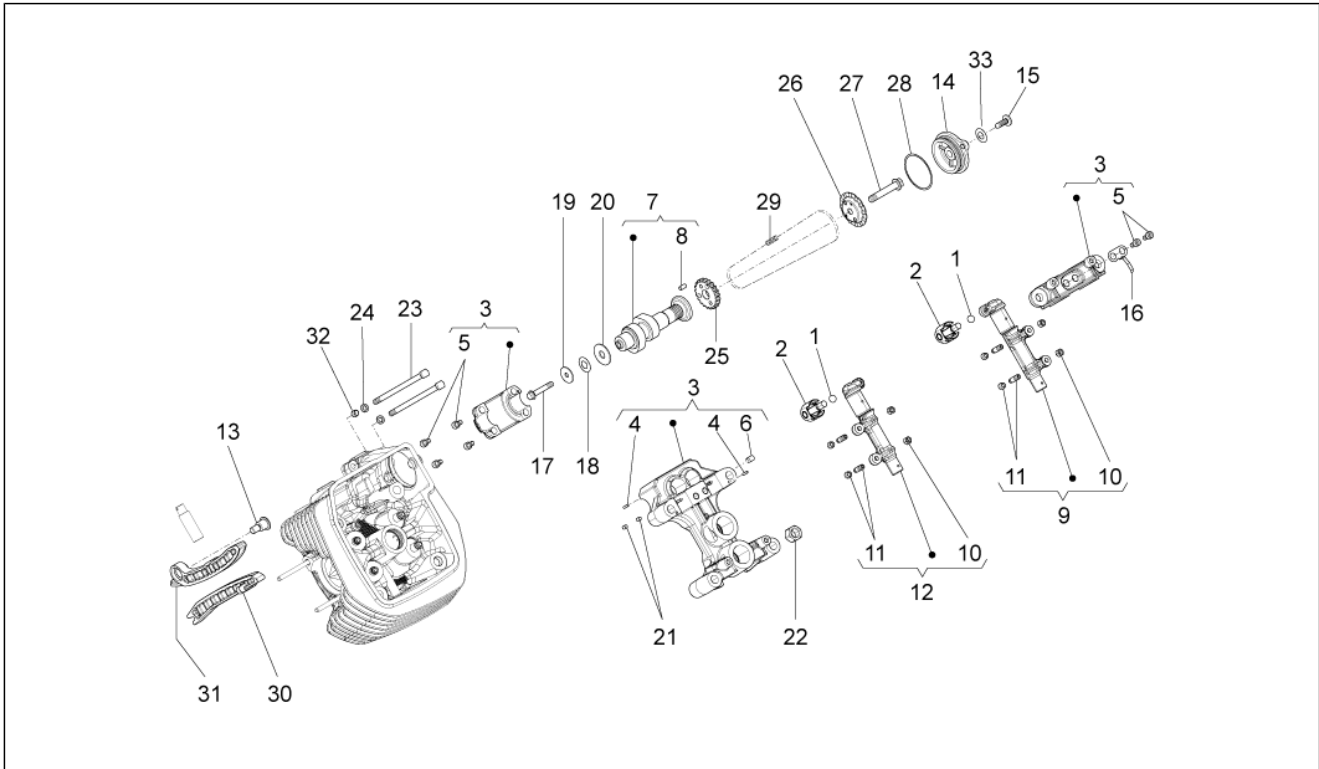


Group	Engine
Code	03.145
Description	LH cylinder timing system
Service	1



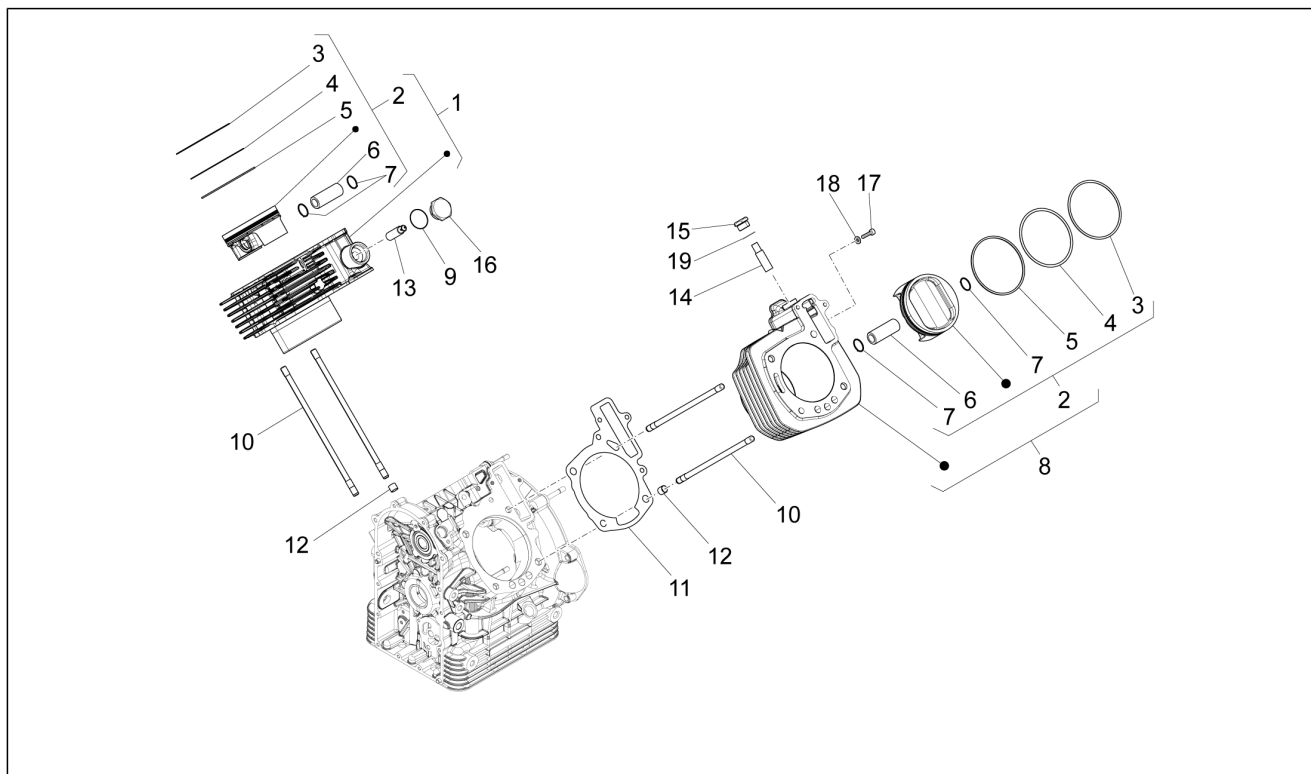
Pos.	Code	Description	Qty	Variants
1	878574	Pad	2	
2	B016785	Tappet	2	
3	887162	Rockers axle support SX	1	
4	872759	Pin D. 2,5	4	
5	015792	screw M8x30	6	
6	842360	Plug M6x10	1	
7	B014576	Cam axle	1	
8	976589	Pin	1	
9	B0136034	Bilanciere aspirazione sx scarico dx	1	
10	879916	Rocker arm adjuster nut	4	
11	879707	Adjuster screw	4	
12	B0136054	Bilanciere aspirazione dx scarico sx	1	
13	878868	Spacer screw M8	1	
14	B013479	Breather cover cpl.	1	
15	875173	Torx convex big end screw	2	
16	B013661	Plate	1	
17	414837	Screw w/ flange M6x25	1	
18	879938	Belleville spring	1	
19	879936	Shim washer	1	
20	879937	Shim washer	1	
21	B013552	Roller	2	
22	825694	Nut M10x1,25	4	
23	487444	Screw w/ flange M6x120	2	
24	976674	Plain washer 12x6,1x2	2	
25	976350	Timing gear	1	
26	874601	sheet oil breather	1	
27	843060	Screw w/ flange	1	
28	880965	Gasket ring 2,62x46,52	1	

Group	Engine
Code	03.145
Description	LH cylinder timing system
Service	1



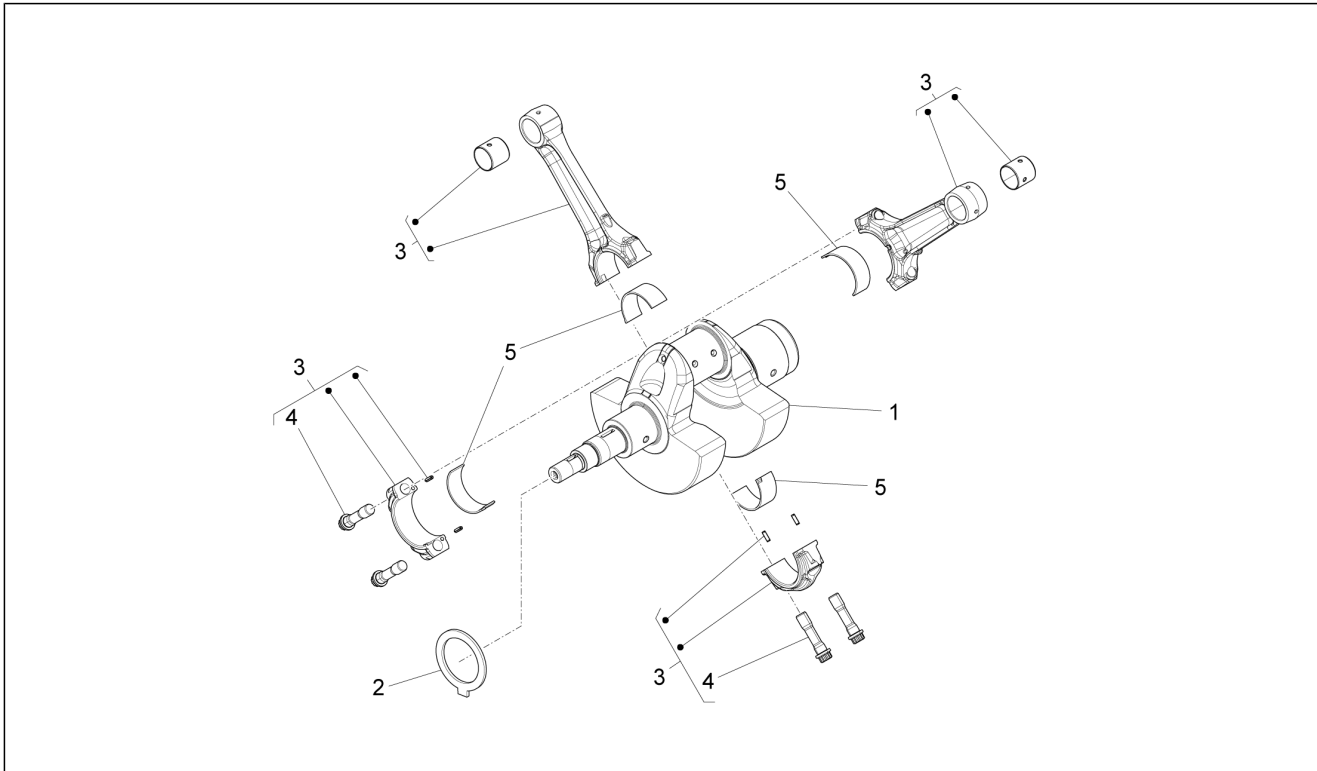
Pos.	Code	Description	Qty	Variants
29	976341	Camshaft chain	1	
30	976338	Chain guide plate	1	
31	976337	Chain tensioner sliding block	1	
32	244585	Spacer	1	
33	GU95129100	Spring washer 5,3X10X0,5	2	

Group	Engine
Code	03.150
Description	Cylinder - Piston
Service	1



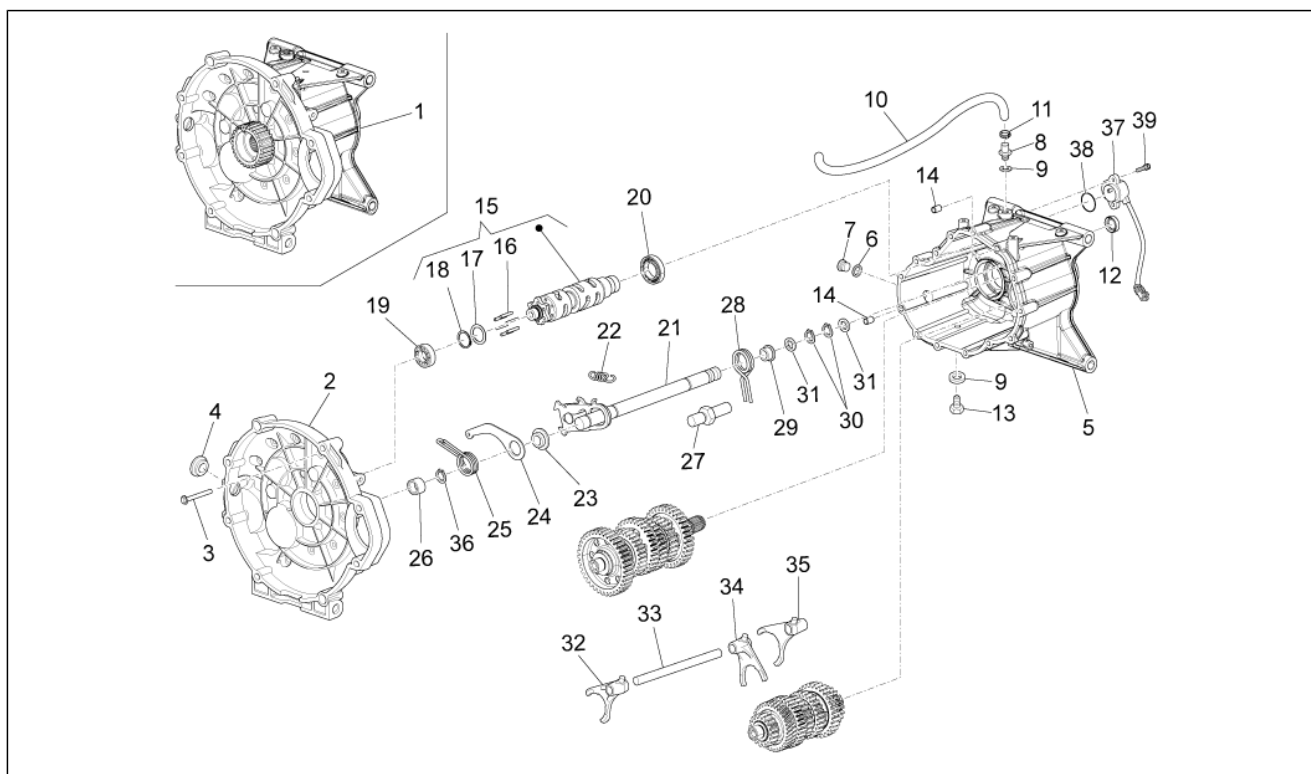
Pos.	Code	Description	Qty	Variants
1	B064047	Cylinder with piston assy., RH	1	
2	8868810001	Piston assy	2	
2	8868810002	Pistone cpl.E	2	
2	8868810003	Pistone cpl.F	2	
3	886883	Piston ring	2	
4	886884	Piston ring	2	
5	886885	Piston ring	2	
6	886886	Gudgeon bucket	2	
7	874567	Stop ring	4	
8	B064046	Cylinder with piston assy., LH	1	
9	B015126	O-ring 26.64x2.62	1	
10	976899	Stud bolt M10x251	8	
11	976312	Cylinder base gasket	2	
12	825597	Pin 11,8X10	4	
13	873689	RH chain tensioner	1	
14	873690	LH chain tensioner	1	
15	976342	Chain tension.plug	1	
16	B015125	Chain tension.plug	1	
17	GU98350310	Hex socket screw M6x20	1	
18	GU95100116	Washer 6,25x10x1,5	1	
19	849866	Washer	1	

Group	Engine
Code	03.160
Description	Drive shaft
Service	1



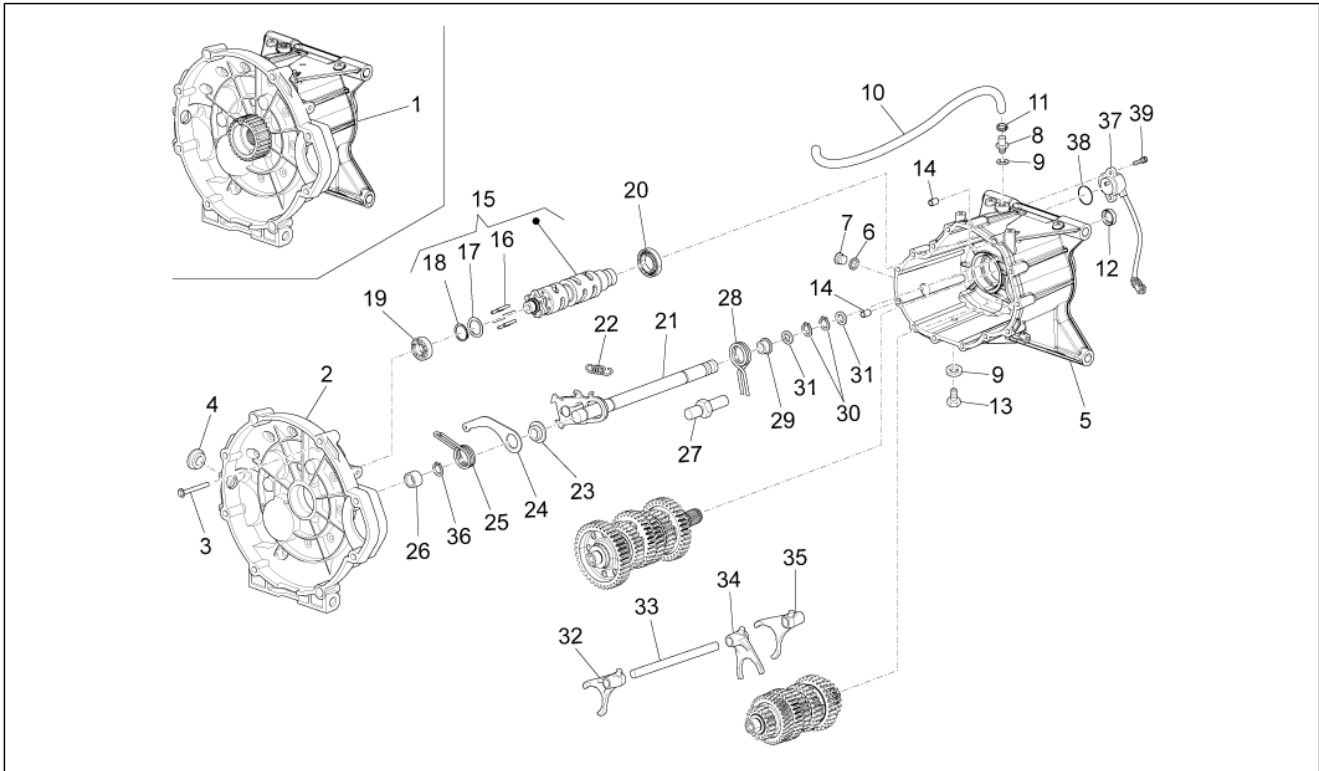
Pos.	Code	Description	Qty	Variants
1	886855001	Crankshaft cpl.	1	Technical specification: Colore selezione Marrone[C1]
1	886855002	Crankshaft cpl.	1	Technical specification: Colore selezione Verde[C2]
1	886855003	Crankshaft cpl.	1	Technical specification: Colore selezione Nero[C3]
2	874293	Thrust washer	1	
3	8783390001	Connecting rod cpl.	2	Technical specification: Colore selezione Marrone[C1]
3	8783390002	Connecting rod cpl.	2	Technical specification: Colore selezione Verde[C2]
3	8783390003	Connecting rod cpl.	2	Technical specification: Colore selezione Nero[C3]
4	849131	Connecting rod screw	4	
5	875243	Bearing half-shell 1,535-1,540	2	Technical specification: Red sign[RS]
5	875244	Bearing half-shell 1,539-1,544	2	Technical specification: Blue sign[BS]

Group	Engine
Code	03.170
Description	Gear box / Selector / Shift cam
Service	1



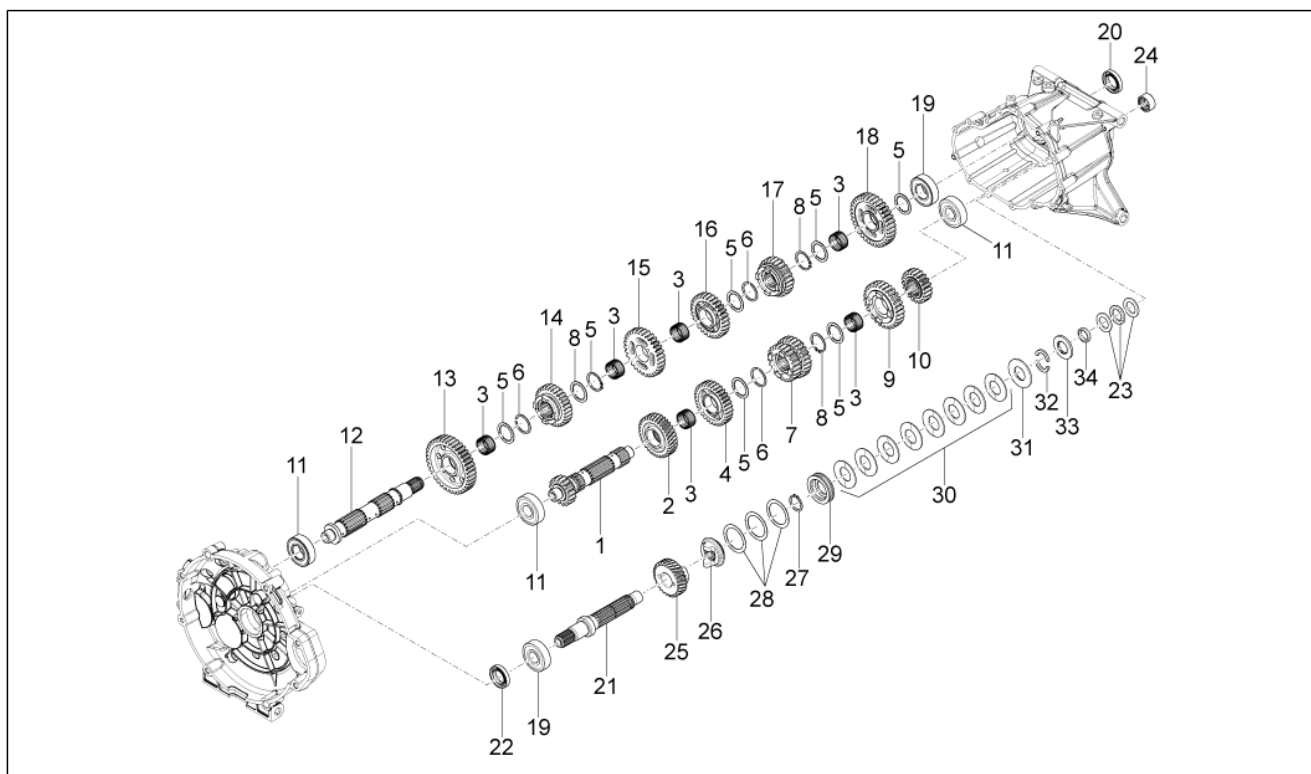
Pos.	Code	Description	Qty	Variants
1	9769975	Transmission, assy	1	
2	B0630754	Clutch housing, grey	1	
3	GU97202355	Screw w/ flange M6x55	14	
4	GU93180220	Cover	1	
5	8868655	Transmission cage	1	
6	GU95980319	Oil plug M18x1,5	1	
7	GU18144350	Washer 18,25x24x1	1	
8	GU05204930	Breather plug	1	
9	GU01528930	Gasket 10x18x1,5	2	
10	AP8120952	Fuel pipe 5,5x10	1	
11	AP8101595	Hose clamp D10,1	1	
12	GU90401424	Gasket ring 14x24x7	1	
13	GU31003766	Oil unload plug M10x1	1	
14	GU19002020	Bushing 6,6x9x13	2	
15	886875	Shift cam cpl.	1	
16	GU05234631	Pin	6	
17	GU05235531	Spacer	1	
18	GU90271022	Circlip	1	
19	GU92201117	Ball bearing 17x35x10	1	
20	GU92201025	Ball bearing 25x42x9	1	
21	GU05236231	Preselection complete	1	
22	GU05238231	Spring	1	
23	GU05238431	Bushing	1	
24	B064112	Index assy. lever	1	
25	B064113	Index spring	1	
26	GU05234230	Spacer	1	
27	B063905	Fixing pin	1	
28	B063956	Spring	1	

Group	Engine
Code	03.170
Description	Gear box / Selector / Shift cam
Service	1



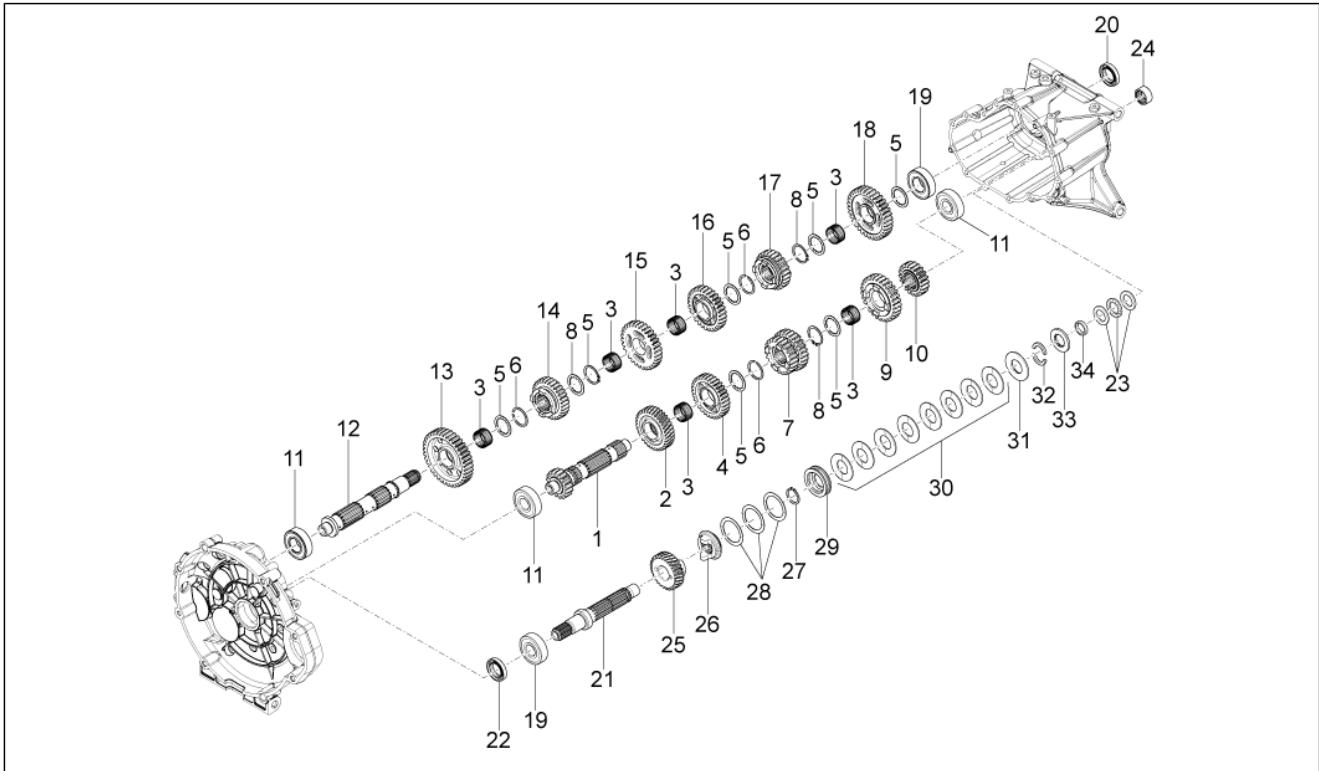
Pos.	Code	Description	Qty	Variants
29	GU05238131	Spacer	1	
30	GU90271014	Circlip	2	
31	GU05239330	Fifth wheel	2	
32	GU05230531	Fork 1a-3a	1	
33	GU05232431	Fork shaft	1	
34	GU05232631	Fork 5a-6a	1	
35	GU05230831	Fork 2a-4a	1	
36	GU90353014	Circlip	1	
37	857265	Gear position sensor	1	
38	857494	O-ring	1	
39	AP8152273	Screw w/ flange M5x16	2	

Group	Engine
Code	03.180
Description	Gear box - Gear assembly
Service	1



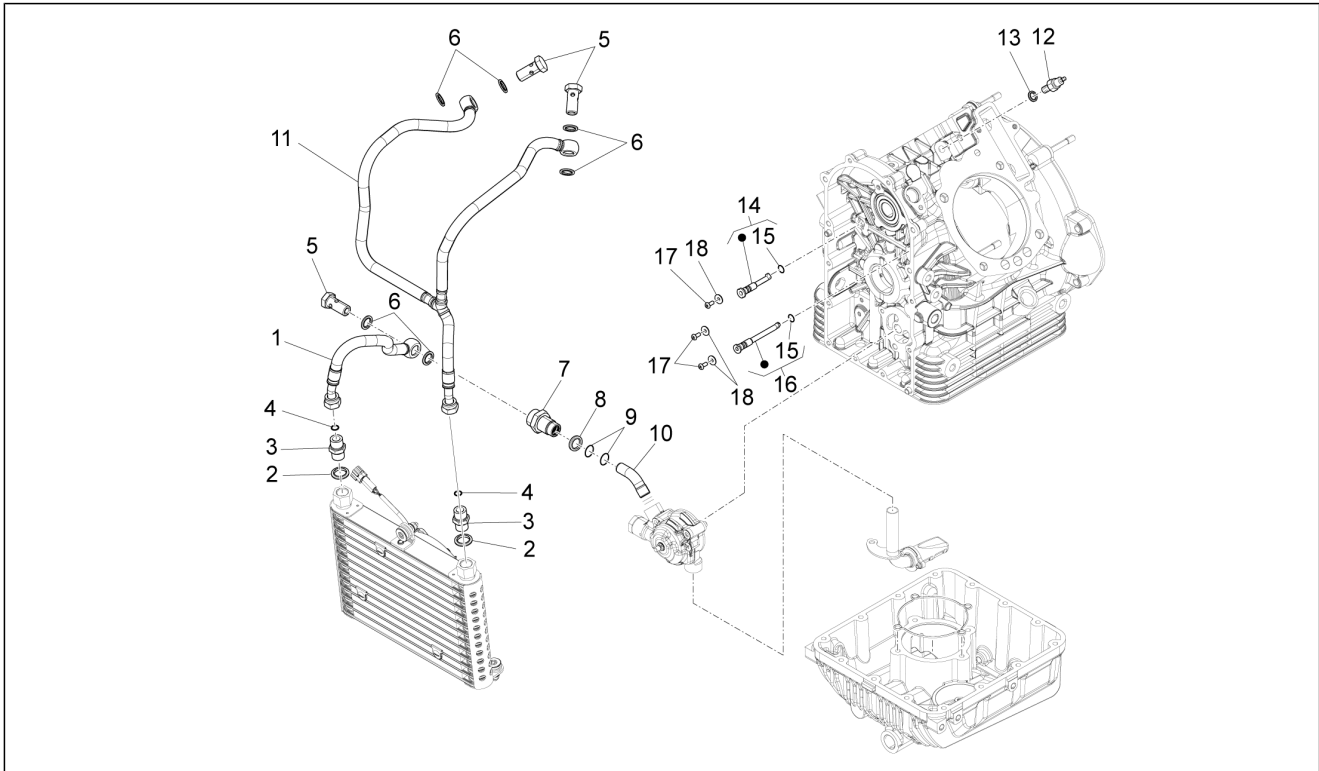
Pos.	Code	Description	Qty	Variants
1	GU05210631	Primary gear shaft Z=17	1	
2	GU05215631	Drive gears Z=35	1	
3	GU92252029	Roller cage 26x30x15,6	6	
4	GU05212031	Gear 5a Z=31	1	
5	GU05214630	Clearance washer	2	
6	GU90271230	Snap ring 30x1,25W	3	
7	GU05211431	Gear 3a-4a Z=23-26	1	
8	GU90271030	Snap ring 30x27,9	1	
9	976179	Gear 6a Z=30	1	
10	GU05211331	Gear 2a Z=20	1	
11	GU92201822	Ball bearing 20x52x15	3	
12	GU05213631	Driven shaft	1	
13	GU05214231	Gear 1a Z=38	1	
14	GU05214031	Gear 5a Z=30	1	
15	GU05214731	Gear 3a Z=31	1	
16	GU05215031	Gear 4a Z=29	1	
17	976180	Gear 6a Z=24	1	
18	GU05214431	Gear 2a Z=34	1	
19	GU92201226	Ball bearing 25x52x15	2	
20	GU90412541	Gasket ring 25X40X7	1	
21	B063832	Clutch shaft	1	
22	976533	Gasket ring 25x47x7	1	
23	976532	Thrust bearing	1	
24	GU92232028	Roller bearing 20x28x13	1	
25	GU05211131	Idle gear Z=26	1	
26	GU05211231	Hose	1	
27	GU90271125	Snap ring 25x2	1	
28	GU95129340	Washer	3	

Group	Engine
Code	03.180
Description	Gear box - Gear assembly
Service	1



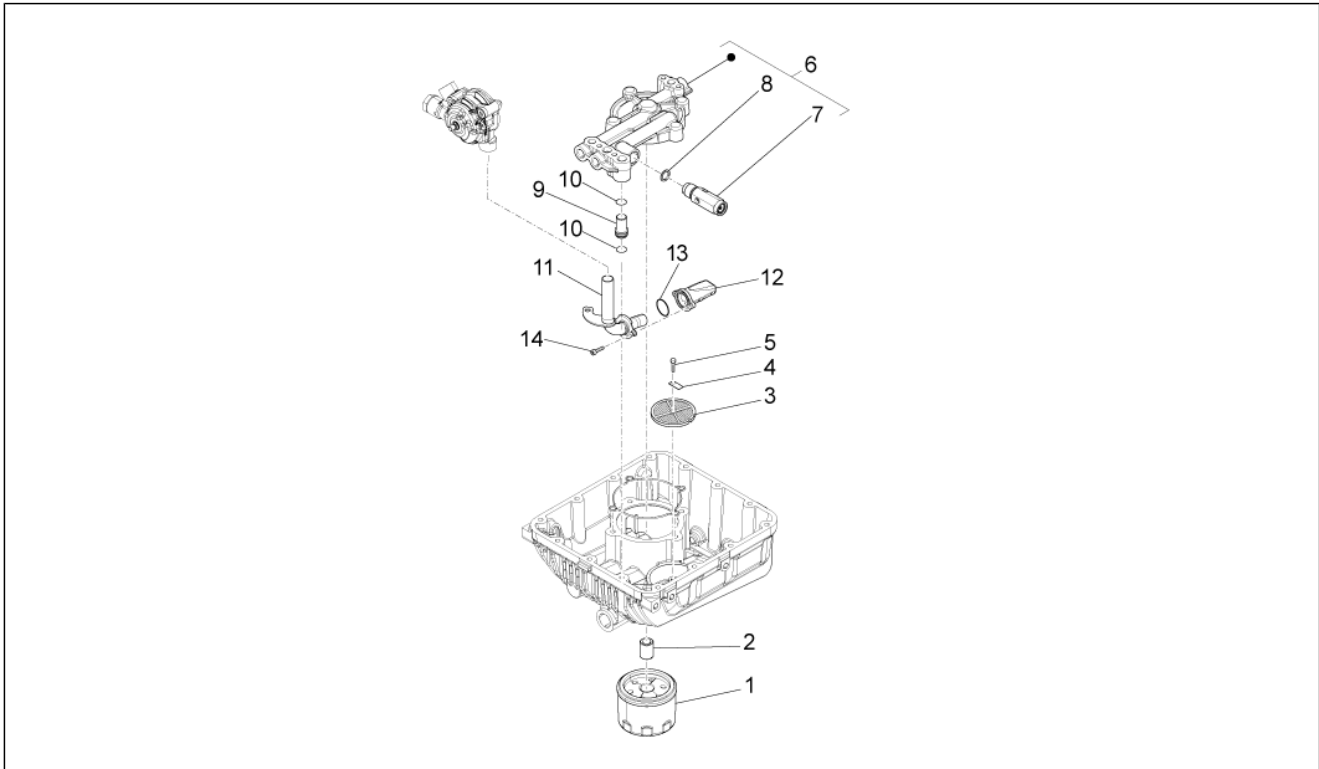
Pos.	Code	Description	Qty	Variants
29	GU05211030	Disc	1	
30	GU05211530	Belleville spring	8	
31	B063978	Clutch collar	1	
32	B063977	Half ring	1	
33	B063836	Fifth wheel	1	
34	B063979	Bushing	1	

Group	Engine
Code	03.190
Description	Lubrication
Service	1



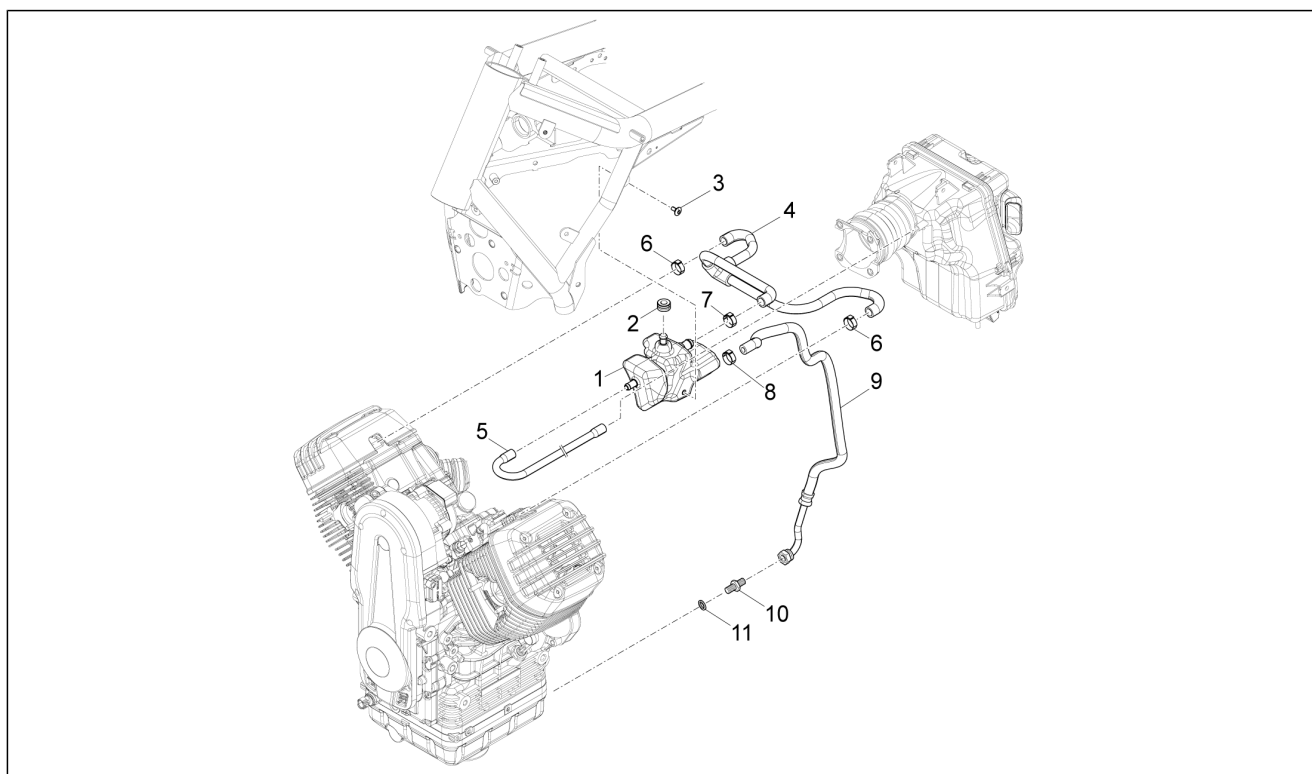
Pos.	Code	Description	Qty	Variants
1	887951	Pipe	1	
2	GU01154230	Gasket	2	
3	GU01161331	Reduction	2	
4	899064	O-ring	4	
5	874223	Bored screw	3	
6	976597	Copper gasket	6	
7	874669	Nipple	1	
8	976592	Gasket	1	
9	434947	O-ring 12,42x1	2	
10	874646	Oil pipe	1	
11	887950	Pipe	1	
12	641541	Oil pressure sensor	1	
13	AP9150472	Washer 10,5x17x1,5	1	
14	976681	RH Nozzle	1	
15	874238	O-ring	4	
16	976680	LH Nozzle	1	
17	621914	screw	5	
18	013763	Flat washer 4,2x12x1	3	

Group	Engine
Code	03.195
Description	Oil filters
Service	1



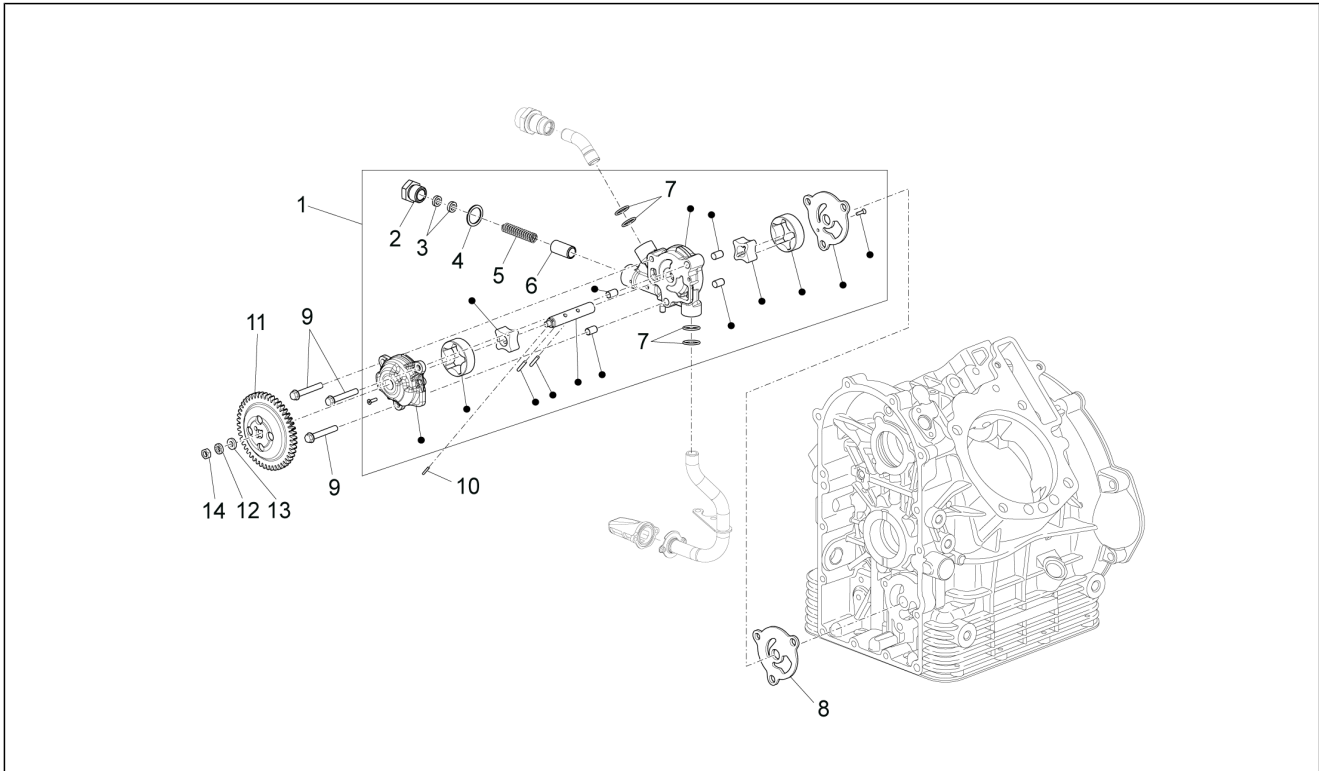
Pos.	Code	Description	Qty	Variants
1	B063428	Oil filter	1	
2	829122	Oil filter union	1	
3	GU19152200	Oil filter	1	
4	GU95187006	Plate	1	
5	GU98084314	Hex screw M6x14	1	
6	B063274	Complete flange	1	
7	876486	Oil pressure adjusting valve	1	
8	224566	Washer	1	
9	B063934	Oil pipe	1	
10	B063942	O-ring 14x3	2	
11	B064018	Suction pipe	1	
12	874655	Intake oil filter	1	
13	969323	O-ring	1	
14	621914	screw	2	

Group	Engine
Code	03.196
Description	Blow-by system
Service	1



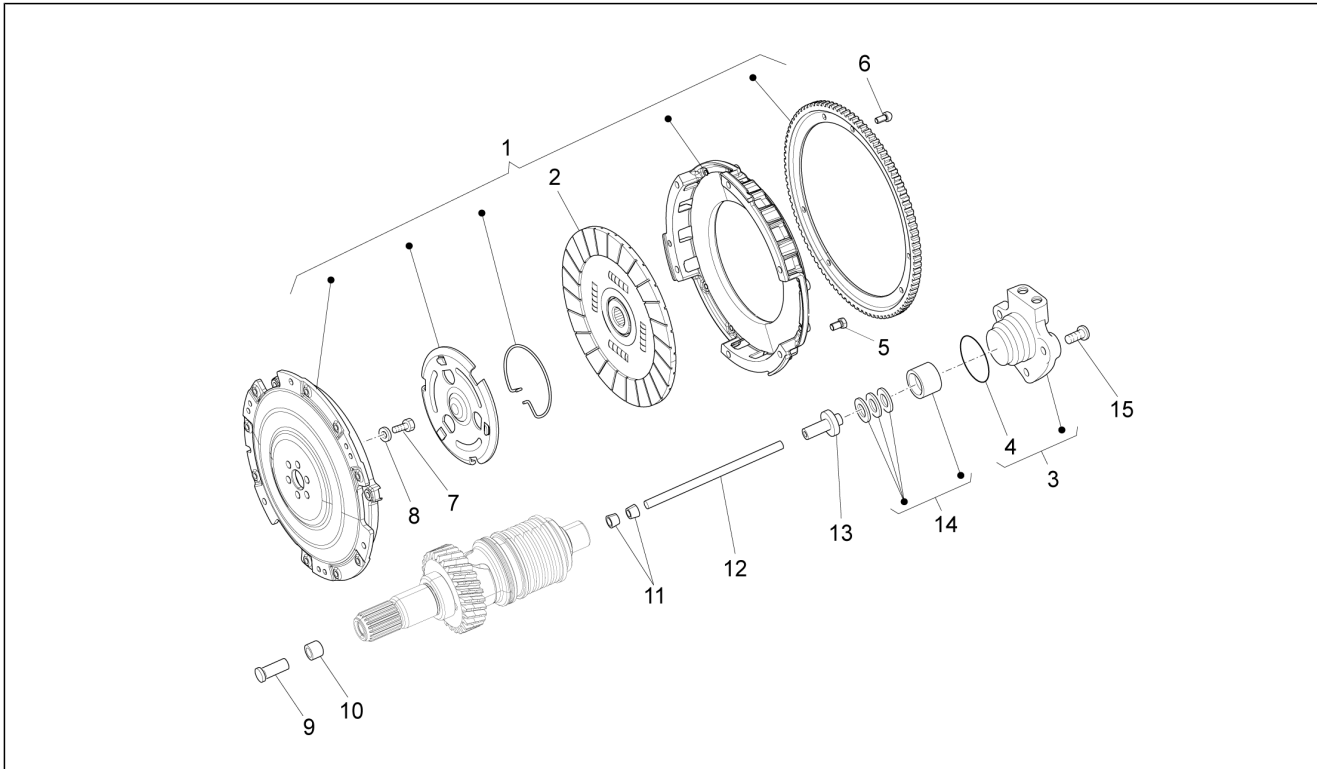
Pos.	Code	Description	Qty	Variants
1	887786	Serbatoio Blow-By	1	
2	AP8120030	Rubber spacer	1	
3	AP8150500	Hex socket screw M5x9	1	
4	B063620	Tubo a 3 vie	1	
5	B063778	Tubo sfiato Blow-By	1	
6	CM001904	Hose clamp	2	
7	AP8102349	White hose clip D17,5x8	1	
8	AP8102765	White hose clip D.13,5x6	1	
9	B063179	Tubo ritorno coppa	1	
10	GU01161331	Reduction	1	
11	GU01154230	Gasket	1	

Group	Engine
Code	03.200
Description	Oil pump
Service	1



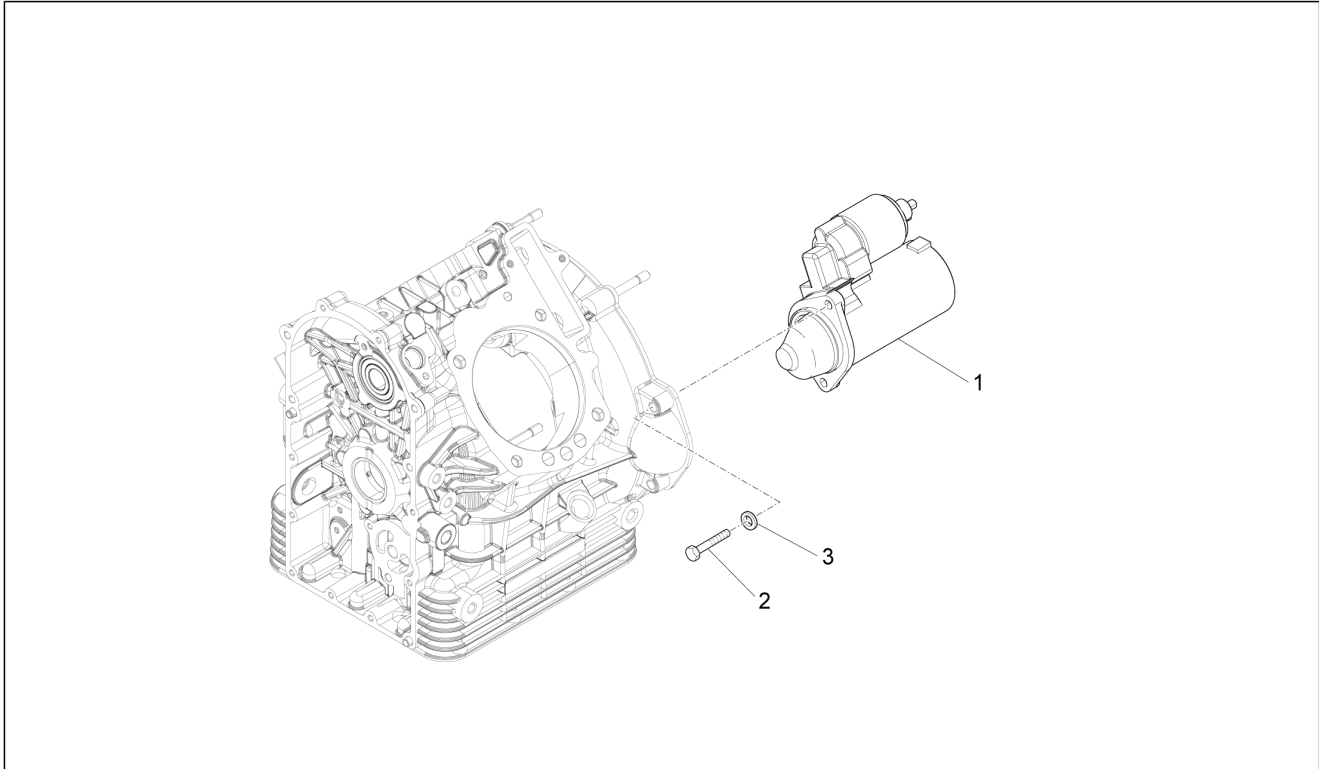
Pos.	Code	Description	Qty	Variants
1	8746505	Oil pump assy.	1	
2	GU31159050	Cover	1	
3	GU30158900	Washer	2	
4	GU18144350	Washer 18,25x24x1	1	
5	829486	Spring	1	
6	829661	Oil pressure valve	1	
7	237553	O-ring	4	
8	874482	Gasket	1	
9	414835	screw	3	
10	874801	Pin 2x13,8	1	
11	877101	Oil pump gear	1	
12	GU03013800	Washer 6,4x12	1	
13	GU95005306	Washer 6,4x13x1,5	1	
14	873906	Low nut	1	

Group	Engine
Code	03.230
Description	Clutch
Service	1



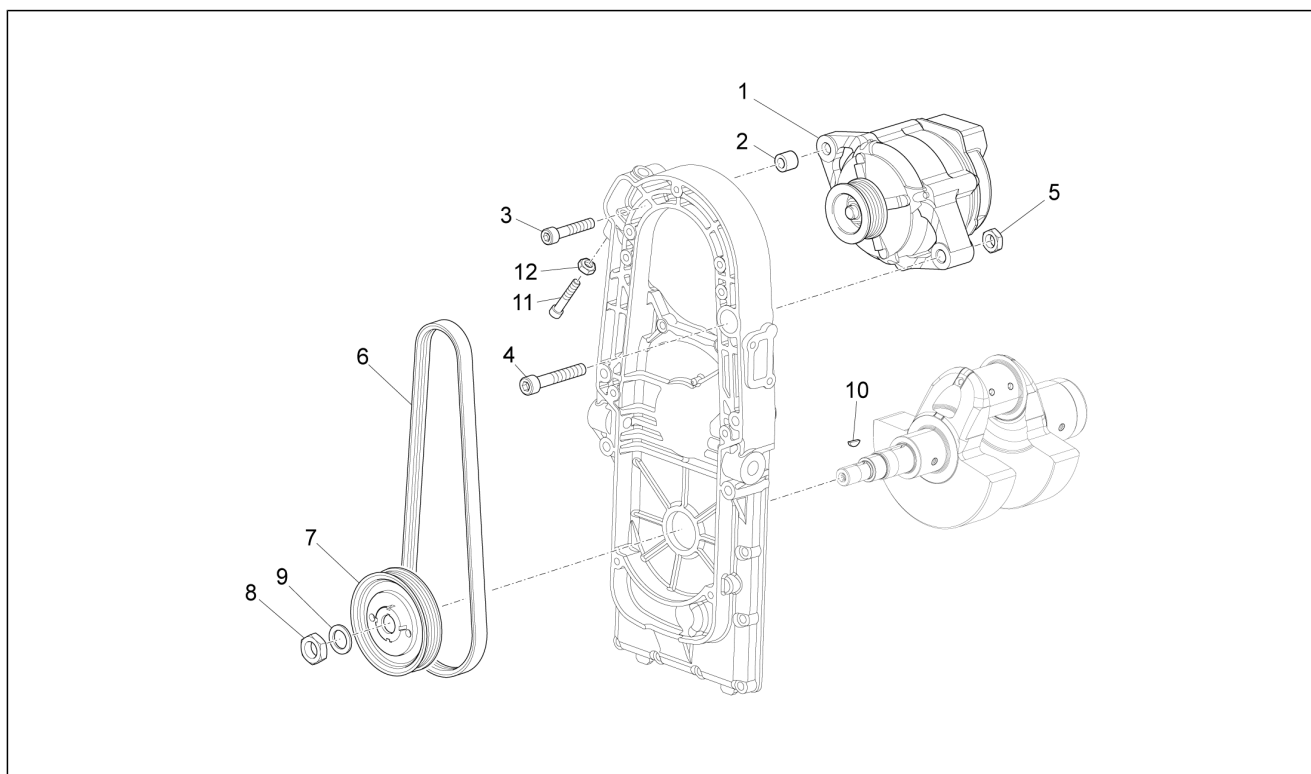
Pos.	Code	Description	Qty	Variants
1	2A000028	Clutch, assy.	1	
2	B064100	Clutch disc	1	
3	85220R	Clutch command cylinder	1	
4	B064271	Gasket ring	1	
5	976535	Hex socket screw M7x16	6	
6	884044	Hex socket screw M6x10	6	
7	976481	Screw w/ flange M8x25	6	
8	976484	Conical spring washer 8,2X15	6	
9	B013036	Clutch drive tapped	1	
10	976564	Bushing	1	
11	GU14085900	Bush	2	
12	976593	Rod L=mm183	1	Technical specification: An identification cut[1T]
12	976594	Rod L=mm184,5	1	Technical specification: Two identification cuts[2T]
12	976595	Rod L=mm186	1	Technical specification: Three identification cuts[3T]
12	976596	Rod L=mm187,5	1	Technical specification: Four identification cuts[4T]
12	B0630111	Asta L=mm 1 185	1	Technical specification: Cinque tagli di identificazione[5T]
12	B063012	Asta L=mm 185,5	1	Technical specification: Sei tagli di identificazione[6T]
13	B013037	Clutch gear	1	
14	976696	Engine bearing set	1	
15	598839	Screw w/ flange	3	
16	2A000072	Piattello spingimolla	1	

Group	Engine
Code	03.290
Description	Starter / Electric starter
Service	1



Pos.	Code	Description	Qty	Variants
1	97729R	Starter motor	1	
2	GU98082475	Hex screw M8x75	2	
3	GU95008208	Washer 8,4X15X1,5	2	

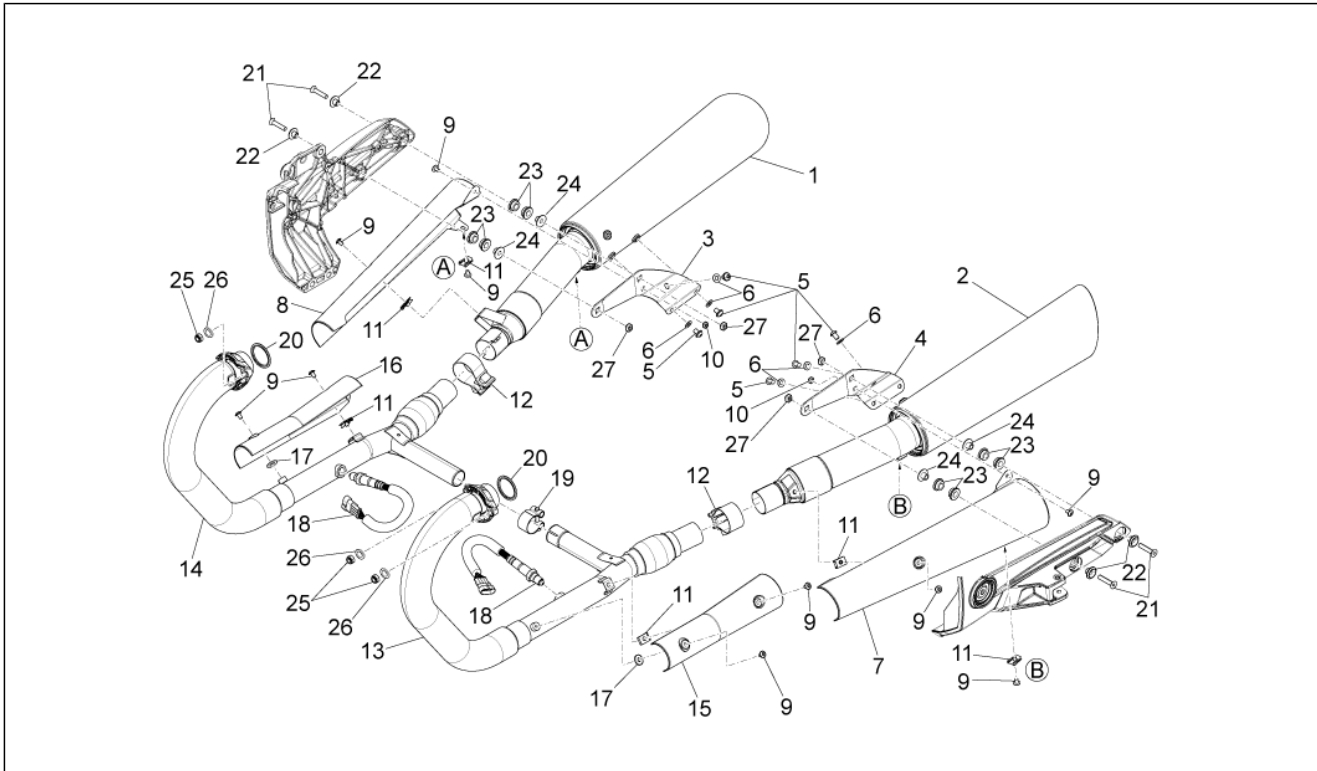
Group	Engine
Code	03.300
Description	Cdi magneto assy / Ignition unit
Service	1



Pos.	Code	Description	Qty	Variants
1	886255	Generator	1	
2	GU91180823	Spacer 8,5x17x13	1	
3	GU98620445	Hex socket screw M8x45	1	
4	GU98620560	Hex socket screw M10x60	1	
5	GU92660012	Nut M10X1,5	1	
6	GU05702530	Belt	1	
7	GU05701430	Generator lever pulley	1	
8	GU92606516	Nut M16	1	
9	GU30714201	Washer 16,25x24,5x5	1	
10	GU4FAN000030	Flywheel magneto key	1	
11	GU98230850	Hex socket screw M8x50	1	
12	GU92605408	Nut M8x1,25	1	

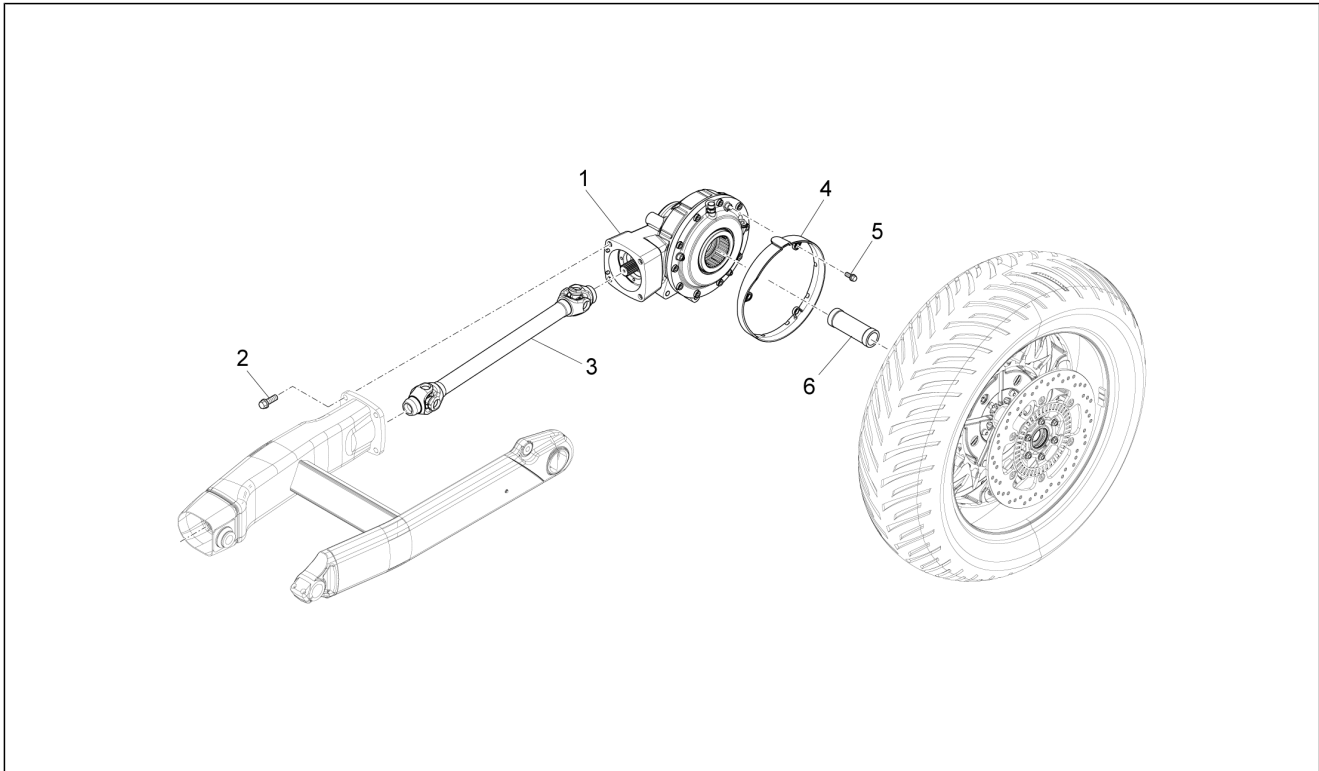


Group	Engine
Code	03.330
Description	Exhaust pipe
Service	1



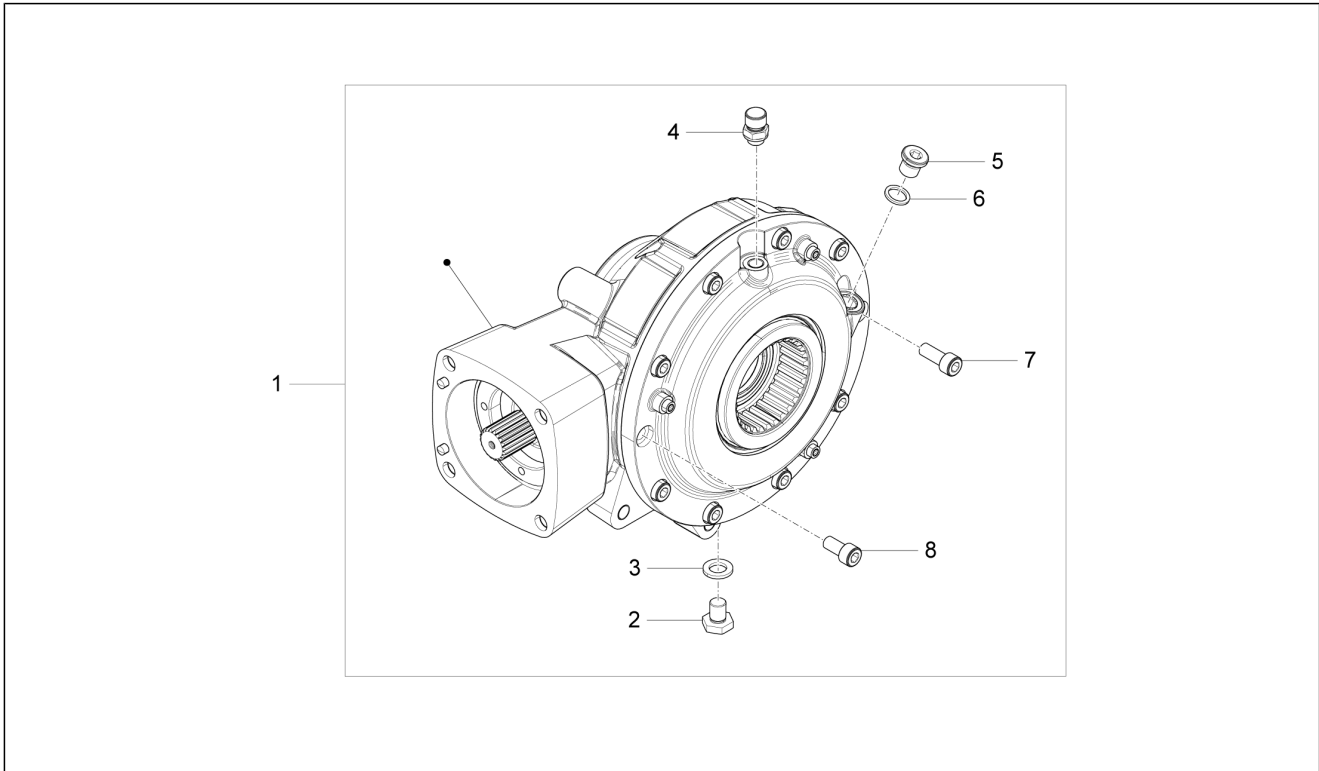
Pos.	Code	Description	Qty	Variants
1	B064126	RH silencer	1	
2	B064127	LH silencer	1	
3	887589	Staffa supporto silenziatore sx	1	
4	887590	Staffa supporto silenziatore dx	1	
5	AP8152055	Hex socket screw M8x12	6	
6	GU95008308	Washer	6	
7	B063595	Protezione anticalore silenziatore sx cromato	1	
8	B063596	Protezione anticalore silenziatore dx cromato	1	
9	884029	Hex socket screw M6x10	10	
10	AP8152313	Captive nut M6	2	
11	254485	Spring plate M6	6	
12	B063293	Fascetta D.48	2	
13	887007	LH exhaust manifold	1	
14	887008	RH exhaust manifold	1	
15	B063593	Protezione anticalore collettore sx cromato	1	
16	B063594	Protezione anticalore collettore dx cromato	1	
17	AP8144064	Heat shield washer	2	
18	584344	Lambda sensor l. 325 mm	2	
19	B063292	Fascetta D.37	1	
20	976376	Gasket	2	
21	B063114	Vite svas. esag. inc. passo grosso	4	
22	887816	Bush	4	
23	AP8144558	Rubber spacer	8	
24	AP8121510	Bush	4	
25	GU92660021	Flanged nut M8	4	
26	GU14615901	Washer 8,4X13X0,8	4	
27	AP8152300	Self-locking nut M8	4	

Group	Engine
Code	03.340
Description	Transmission complete
Service	1



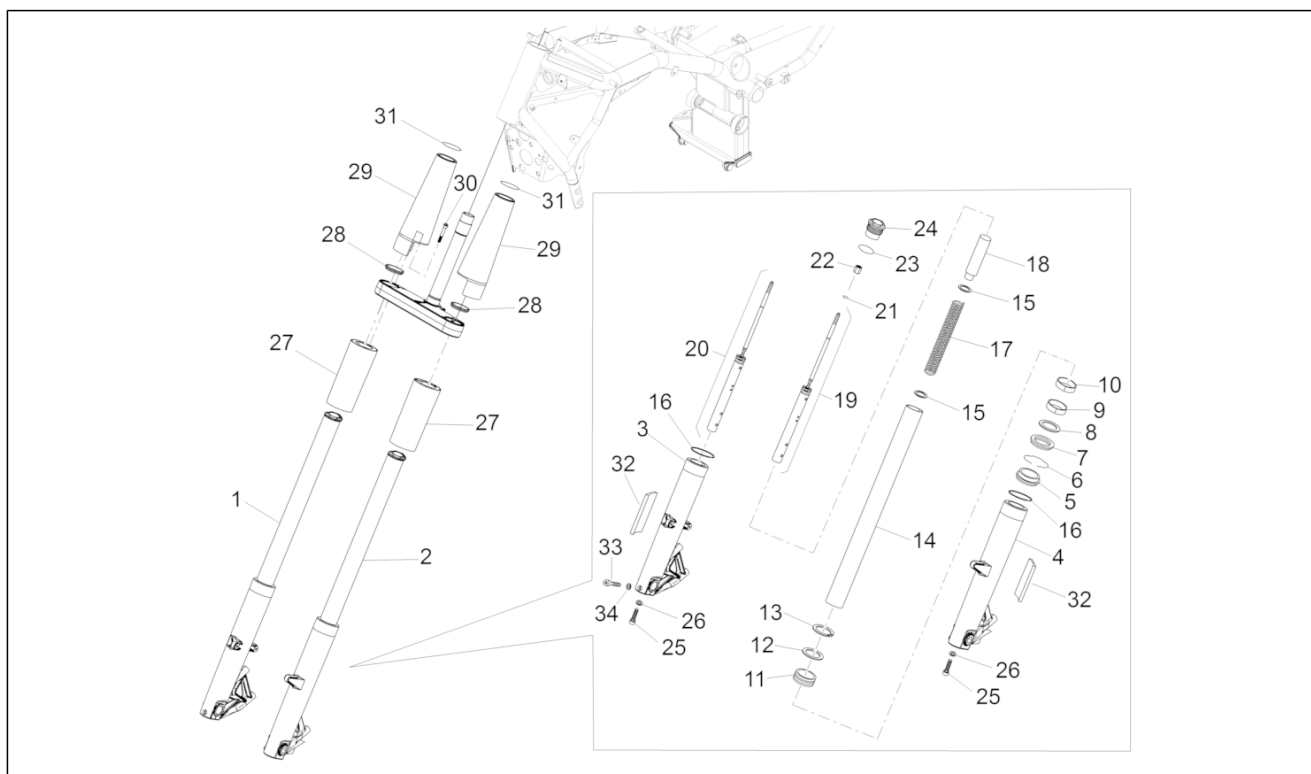
Pos.	Code	Description	Qty	Variants
1	887300	Transmission complete	1	
2	AP8152318	Screw w/ flange M10x35	4	
3	886968	Complete driving shaft	1	
4	887522	Guard	1	
5	AP8152272	Screw w/ flange M5x12	3	
6	887757	Internal spacer	1	

Group	Engine
Code	03.350
Description	Rear transmission / Components
Service	1



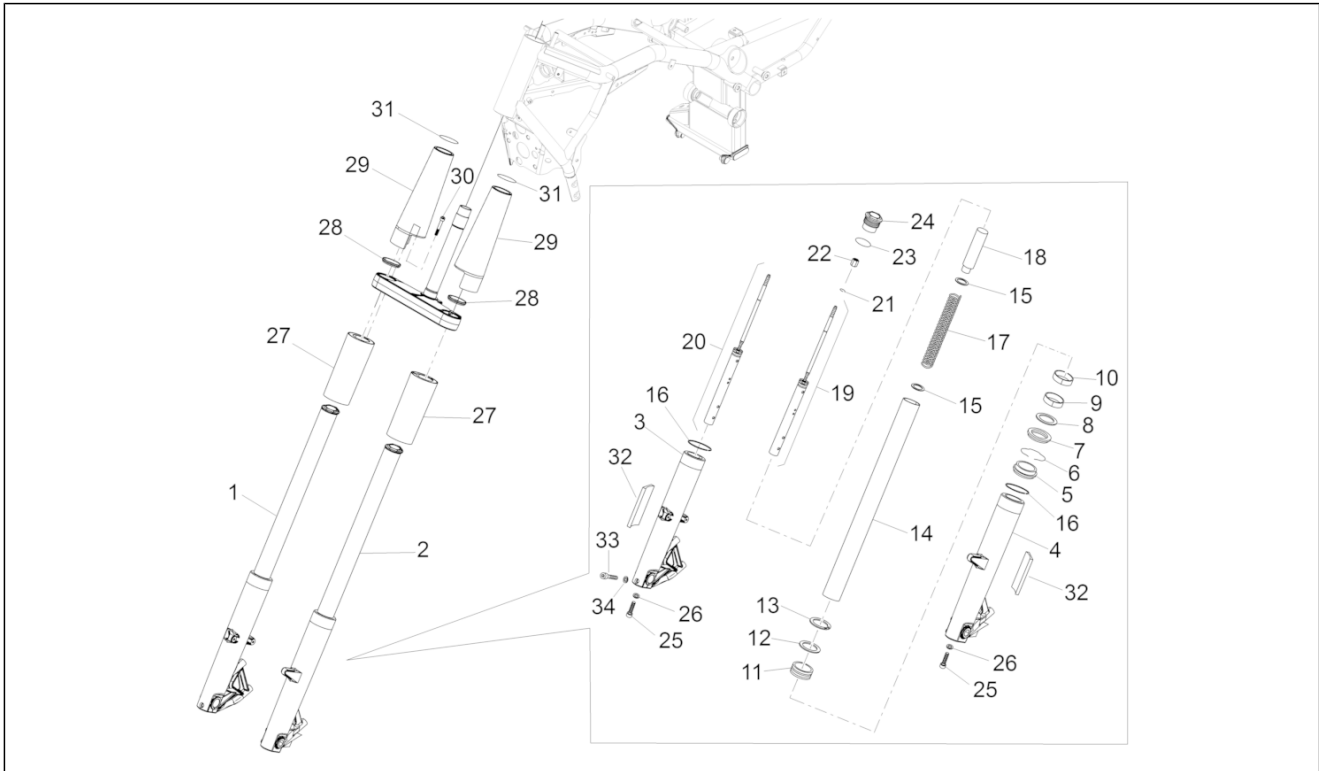
Pos.	Code	Description	Qty	Variants
1	887300	Transmission complete	1	
2	GU31003766	Oil unload plug M10x1	1	
3	GU01528930	Gasket 10x18x1,5	1	
4	B064044	Breather plug	1	
5	GU05351230	Oil plug M12x1,5	1	
6	GU90718120	Washer	1	
7	AP8150169	Hex socket screw M8x20	9	
8	AP8150211	Hex socket screw M8x16	1	

Group	Suspensions
Code	04.025
Description	Εμπρός πιρούνι
Service	1



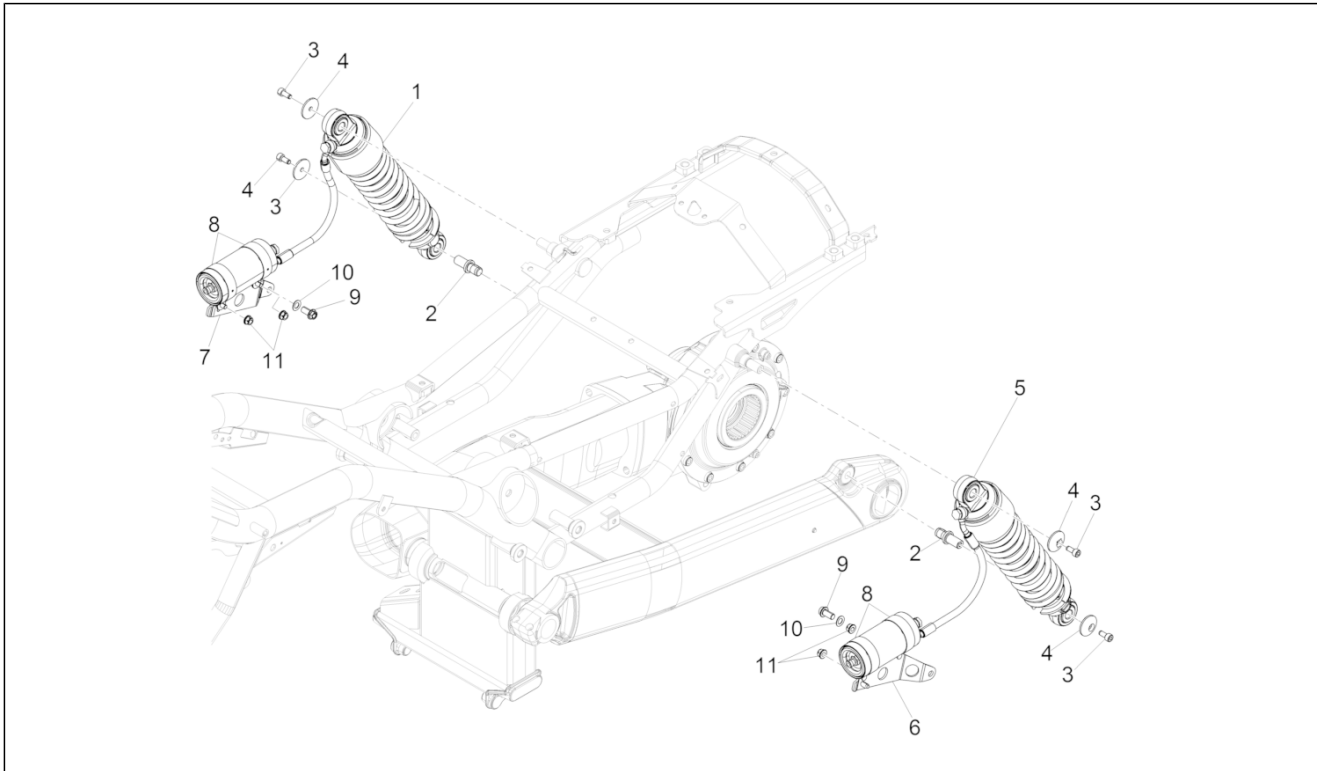
Pos.	Code	Description	Qty	Variants
1	887512	RH hub cpl.	1	
2	887513	LH hub cpl.	1	
3	887829	RH slider	1	
4	887830	Left fork leg	1	
5	B064059	Dust cover	1	
6	B064060	Circlip	1	
7	B064065	Oil seal	1	
8	B064064	Ring	1	
9	B064062	Spring guide bush	1	
10	B064063	Sliding bush	1	
11	B064068	Plug	1	
12	B064066	Spacer	1	
13	B064067	Circlip	1	
14	B064049	Sleeve	1	
15	B064058	Washer	1	
16	B064102	Snap ring	2	
17	B064050	Spring	1	
18	B064053	Preload tube	1	
19	B064055	LH plunger, complete	1	
20	B064056	RH plunger, complete	1	
21	B064061	O-ring	1	
22	B064052	Nut	1	
23	B064057	O-ring	1	
24	B064051	Plug	1	
25	B064069	Screw	1	
26	B064070	Washer	1	
27	887360	Lower protection	2	
28	887586	Spacer	2	

Group	Suspensions
Code	04.025
Description	Εμπρός πιρούνι
Service	1



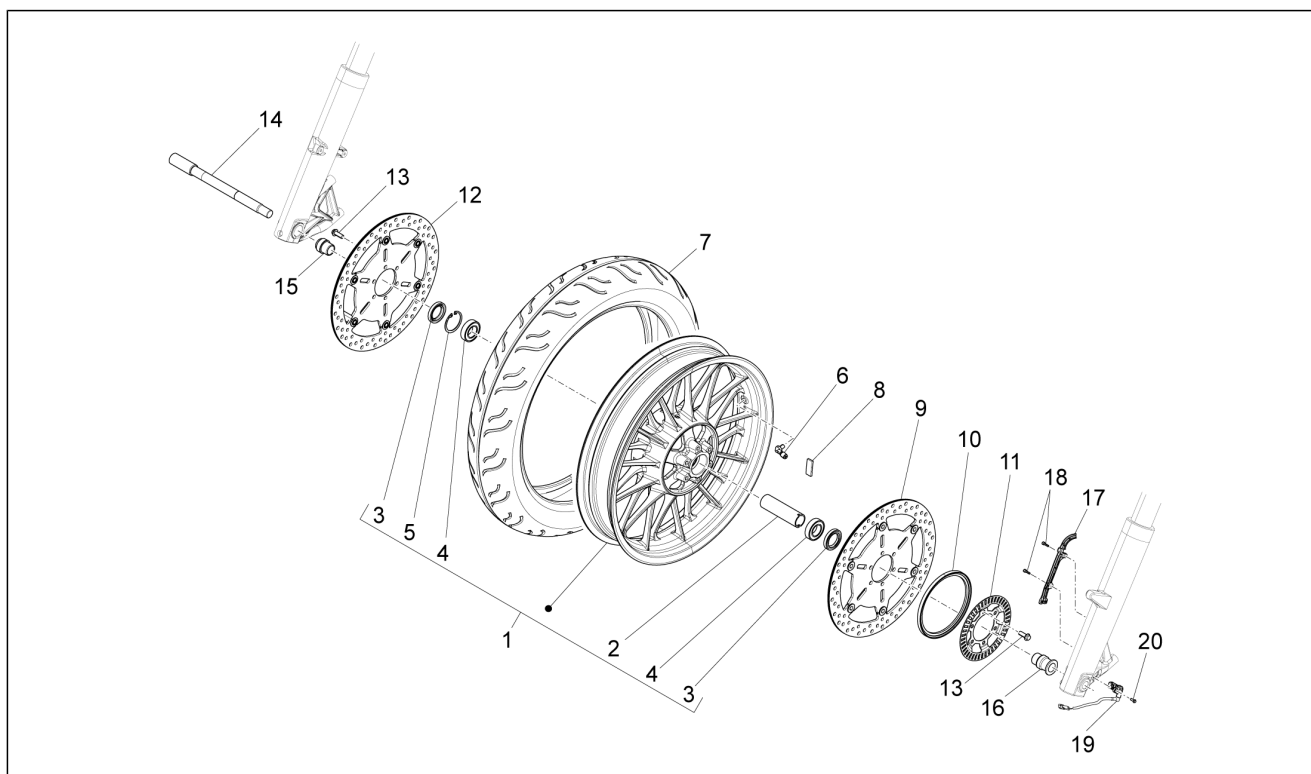
Pos.	Code	Description	Qty	Variants
29	887359	Upper protection	2	
30	GU98690245	Hex socket screw M5x45	4	
31	GU90706461	O-ring 46,04x3,53	2	
32	GU05781630	Reflector, amber	2	
33	GU98680440	Hex socket screw M8x40	1	
34	GU95005308	Washer 8,4x14,57x1,6	1	

Group	Suspensions
Code	04.080
Description	Αμορτισέρ
Service	1



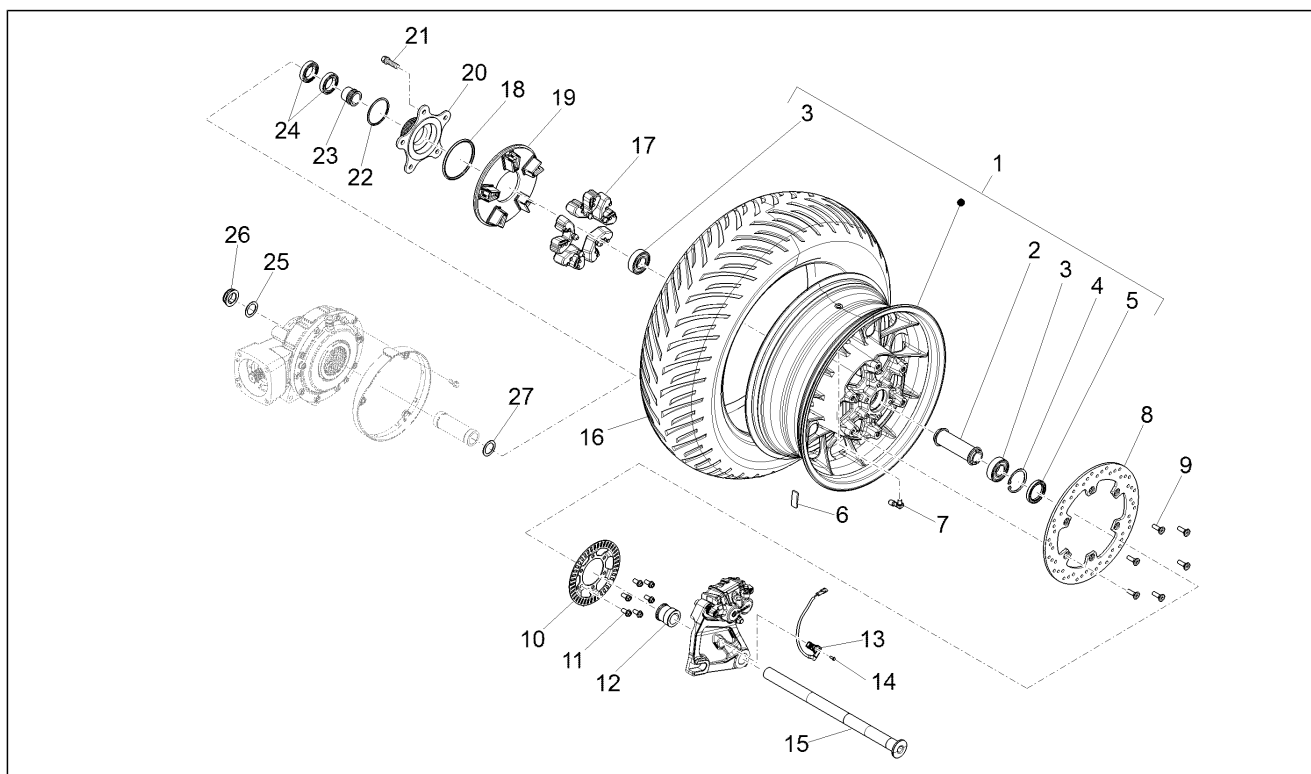
Pos.	Code	Description	Qty	Variants
1	2B000092	Right shock absorber	1	
2	GU03555250	Rear swing arm pin	2	
3	884031	Hex socket screw M6x14	4	
4	B063174	Bush	4	
5	2B000091	Left shock absorber	1	
6	2B000125	Tank support bracket SX	1	
7	2B000126	Tank support bracket DX	1	
8	2B000127	Hose clamp	4	
9	AP8152285	Screw w/ flange	2	
10	AP8150376	Washer 8,5x15x0,8	2	
11	AP8152299	Self-locking nut M6	4	

Group	Wheels
Code	05.010
Description	Εμπρόςτροχος
Service	1



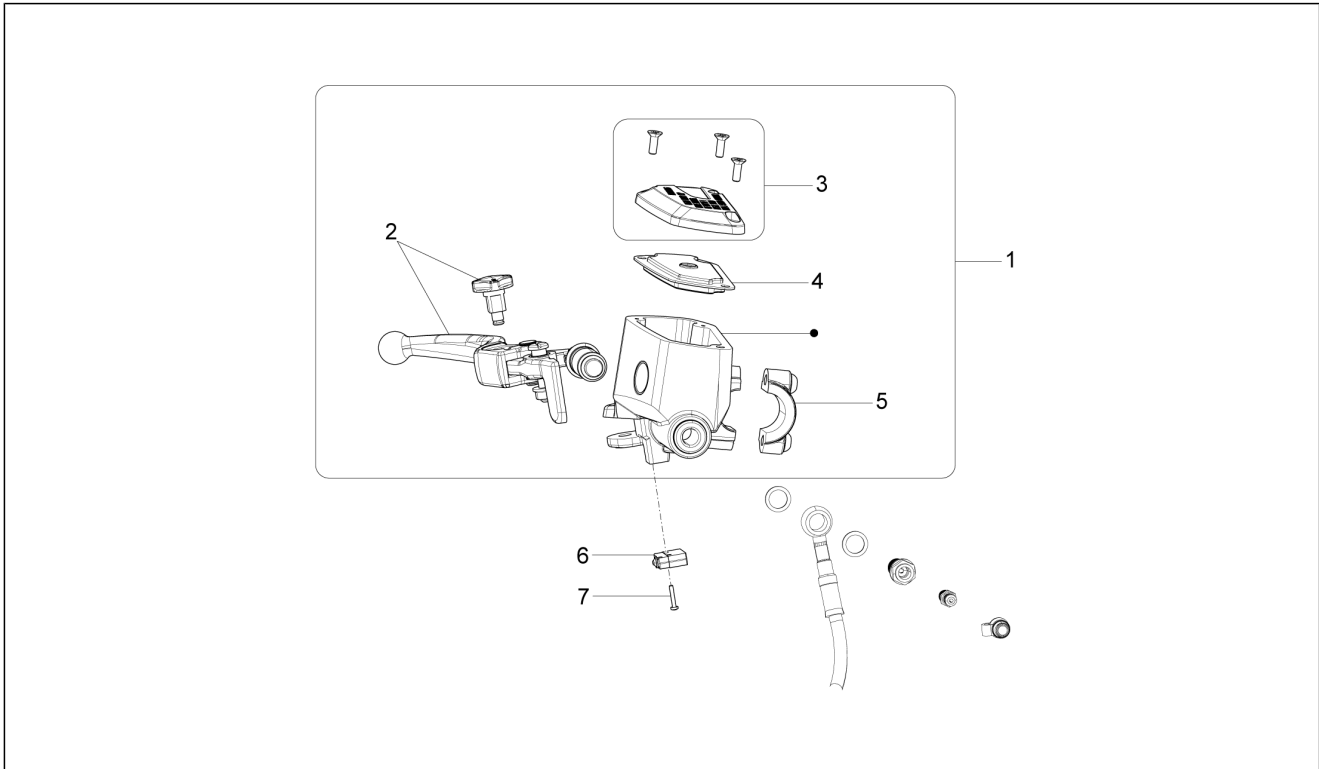
Pos.	Code	Description	Qty	Variants
1	2B000057	Cerchio anteriore con cuscinetti	1	
2	887429	Front wheel ins.spacer	1	
3	AP8125841	Gasket ring 30x47x7	2	
4	AP8110094	Bearing 25x47x12	2	
5	AP8125842	Snap ring d47	1	
6	GU03617710	Tubeless tyre valve	1	
7	887433	Pneumatico anteriore 130/70	1	
8	GU14616150	Counterweight	1	
9	887430	Disco freno anteriore dx	1	
10	B063440	Protezione ruota fonica	1	
11	887875	Wheel speed sensor, left front	1	
12	887439	RH front brake disc	1	
13	887762	Vite te flang. M8x22	12	
14	887566	Front wheel spindle	1	
15	887578	Distanziale ruota ant. dx	1	
16	887579	Front LH wheel spacer	1	
17	B044314	Guida cavo sensore ABS anteriore	1	
18	AP8152043	Hex socket screw M4x10	2	
19	859792	Sensor ABS	1	
20	AP8152273	Screw w/ flange M5x16	1	

Group	Wheels
Code	05.020
Description	Πίσω τροχός
Service	1



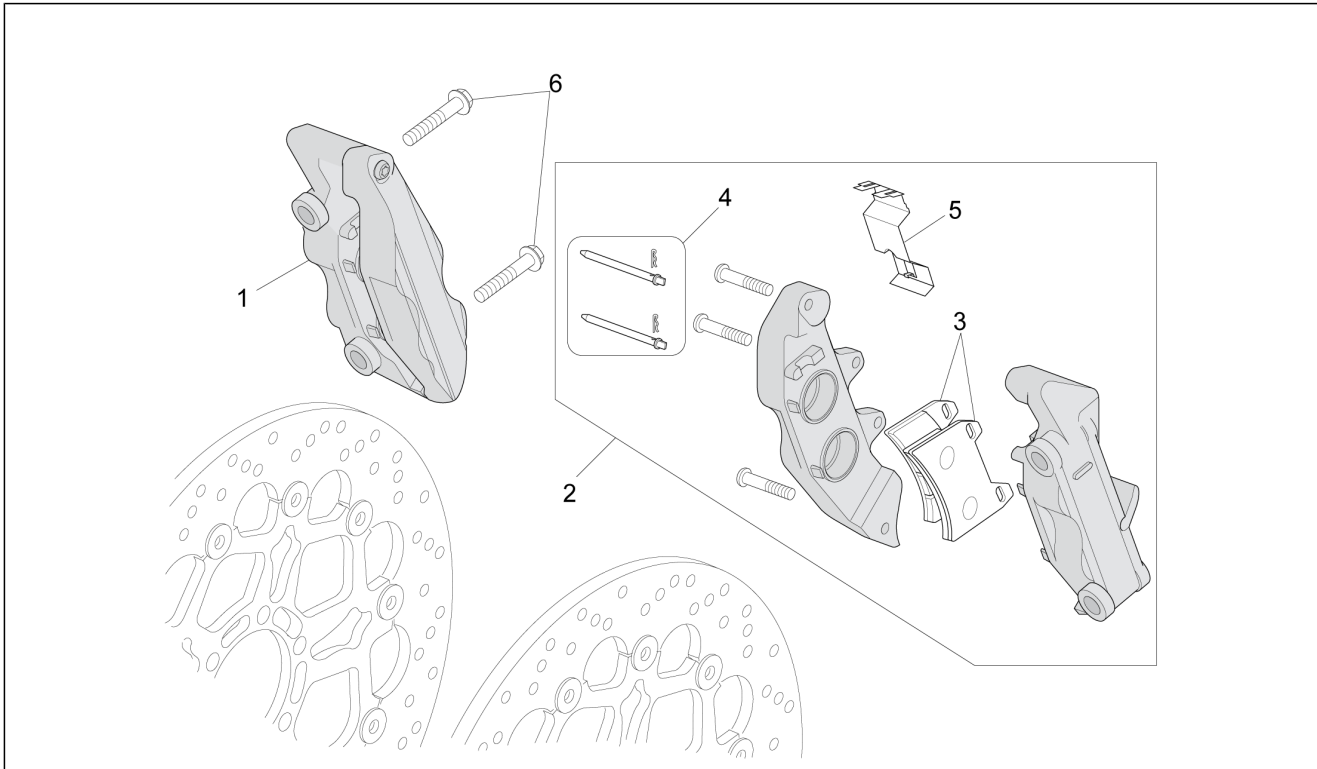
Pos.	Code	Description	Qty	Variants
1	2B000058	Rear wheel rim	1	
2	887530	Rear wheel spacer	1	
3	AP8110093	Bearing 6205-2rs1 25x52x15	2	
4	AP8125839	Snap ring d52	1	
5	AP8125838	Gasket ring 38x52x7	1	
6	GU14616150	Counterweight	1	
7	GU03617710	Tubeless tyre valve	1	
8	887489	Brake disc	1	
9	GU30611460	screw	6	
10	887875	Wheel speed sensor, left front	1	
11	AP8152285	Screw w/ flange	6	
12	887495	Rear LH whe.ou.spacer	1	
13	859792	Sensor ABS	1	
14	AP8152273	Screw w/ flange M5x16	1	
15	886967	Rear wheel spindle	1	
16	887575	Rear tyre 200/60-16"x6	1	
17	B064290	Spring drive rubber	5	
18	GU90706664	O-ring 66,40x1,78	1	
19	887311	Flexible coupling disc	1	
20	2B000090	Flange	1	
21	B063849	Screw w/ flange M10x30	5	
22	887518	O-ring 56,74x3,53	1	
23	887461	Spring drive spacer	1	
24	887517	Ball bearing 30x47x9	2	
25	GU95005325	Washer 25,2X36X1	1	
26	AP8152324	Wheel spindle nut M25x1,5	1	
27	AP8152323	Washer 25,2x36x1	1	

Group	Brake system
Code	06.010
Description	Αντλία φρένου εμπρός
Service	1



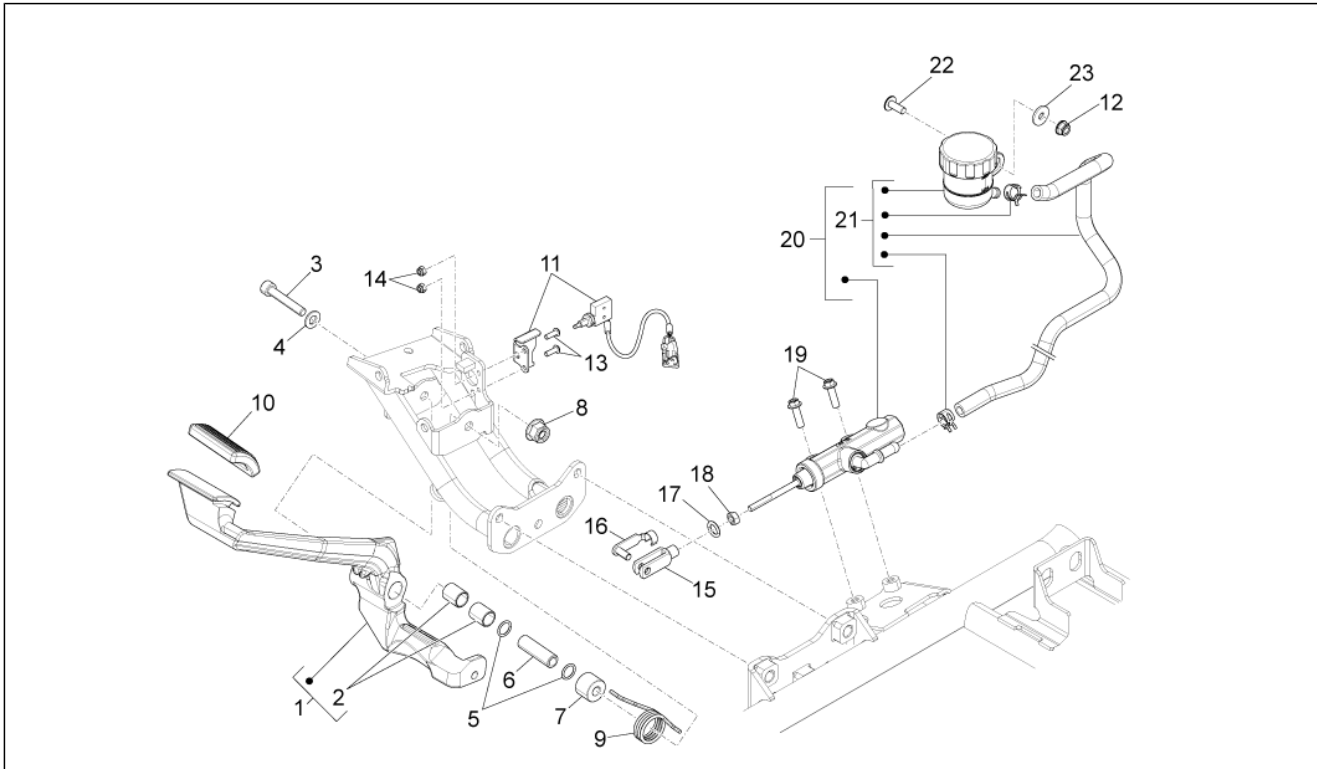
Pos.	Code	Description	Qty	Variants
1	887764	Pompa freno anteriore ABS	1	
2	856048	Brake lever	1	
3	B064105	Coperchio completo	1	
4	858423	Diaphragm	1	
5	856050	U-bolt	1	
6	887627	Interruttore freno diagnosticabile	1	
7	654174	Special cap screw M2x12*	2	

Group	Brake system
Code	06.020
Description	Δαγκάνα φρένου εμπρός
Service	1



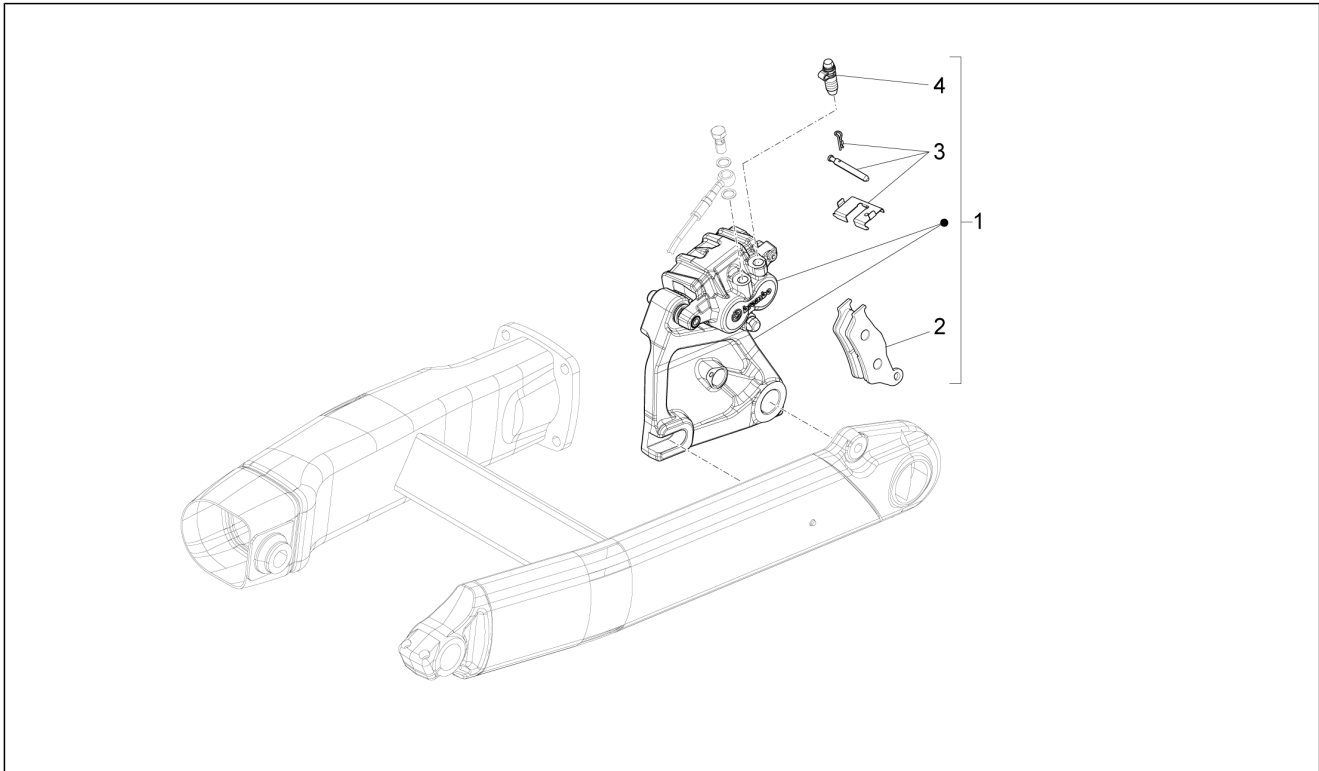
Pos.	Code	Description	Qty	Variants
1	883385	RH front brake caliper	1	
2	883384	LH front brake caliper	1	
3	883673	Pads pair	2	
4	GU01659130	Pins+Caliper springs	2	
5	GU01659131	Spring	2	
6	AP8152414	Screw w/ flange M10x55	4	

Group	Brake system
Code	06.030
Description	Αντλία φρένου πίσω
Service	1



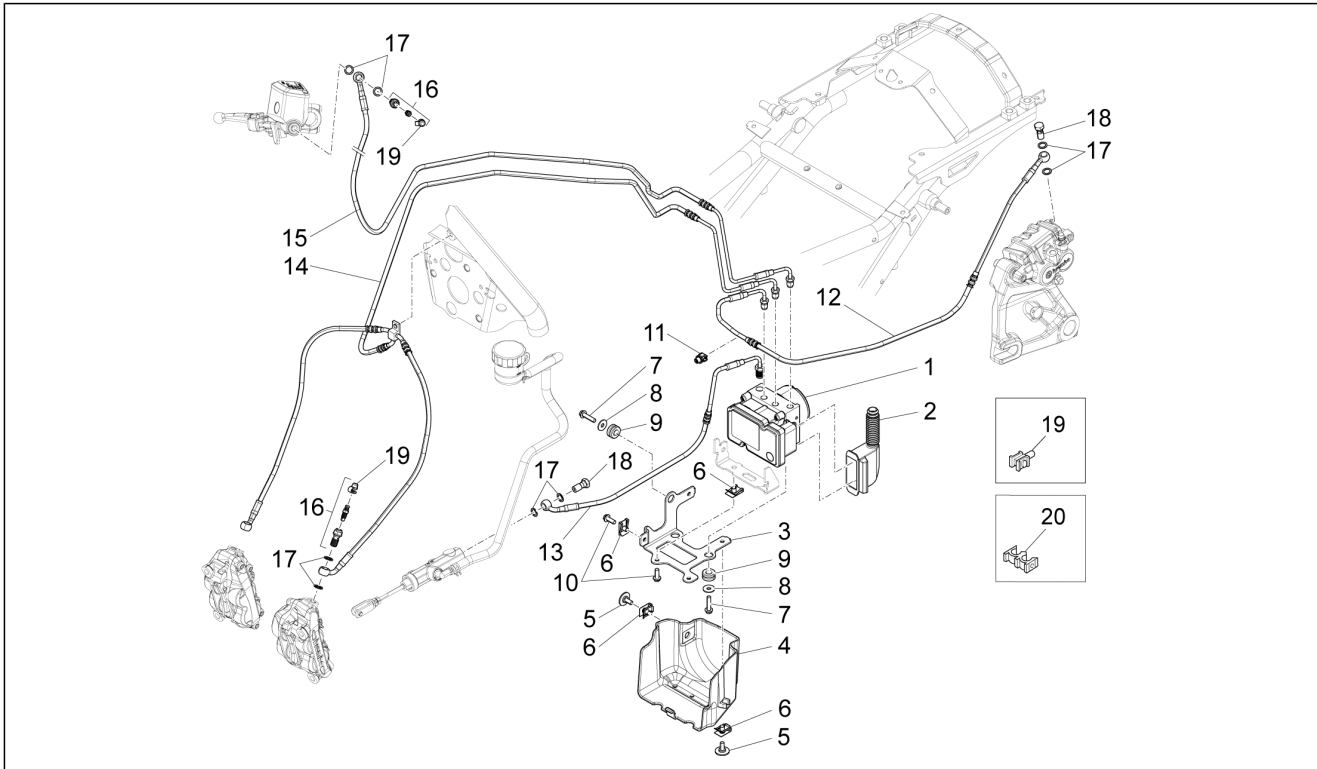
Pos.	Code	Description	Qty	Variants
1	887556	Leva freno posteriore compl.	1	
2	895328	Bussola sinterizzata	2	
3	GU98680475	screw M8x75	1	
4	GU95008308	Washer	1	
5	AP8144007	O-ring 11,11x1,78	2	
6	B063903	Spacer	1	
7	887252	Bush	1	
8	AP8152300	Self-locking nut M8	1	
9	B063328	Molla a torsione	1	
10	GU43262180	Rubber pedal	1	
11	B064022	Stop switch	1	
12	AP8152299	Self-locking nut M6	1	
13	GU98370412	Hex socket screw M4x12	2	
14	AP8150204	Nut M4	2	
15	AP8101968	Fork	1	
16	AP8201301	Gear selector fork clips	1	
17	AP8120178	O-ring OR112	1	
18	GU92606206	Nut	1	
19	AP8152279	Screw w/ flange M6x20	2	
20	887689	Rear master cylinder	1	
21	B064104	Brake oil tank complete	1	
22	GU98210616	Screw w/ flange M6x16 inox	1	
23	GU95005320	Washer 6,5x20x1,5	1	

Group	Brake system
Code	06.040
Description	Δαγκάνα πίσω φρένου
Service	1



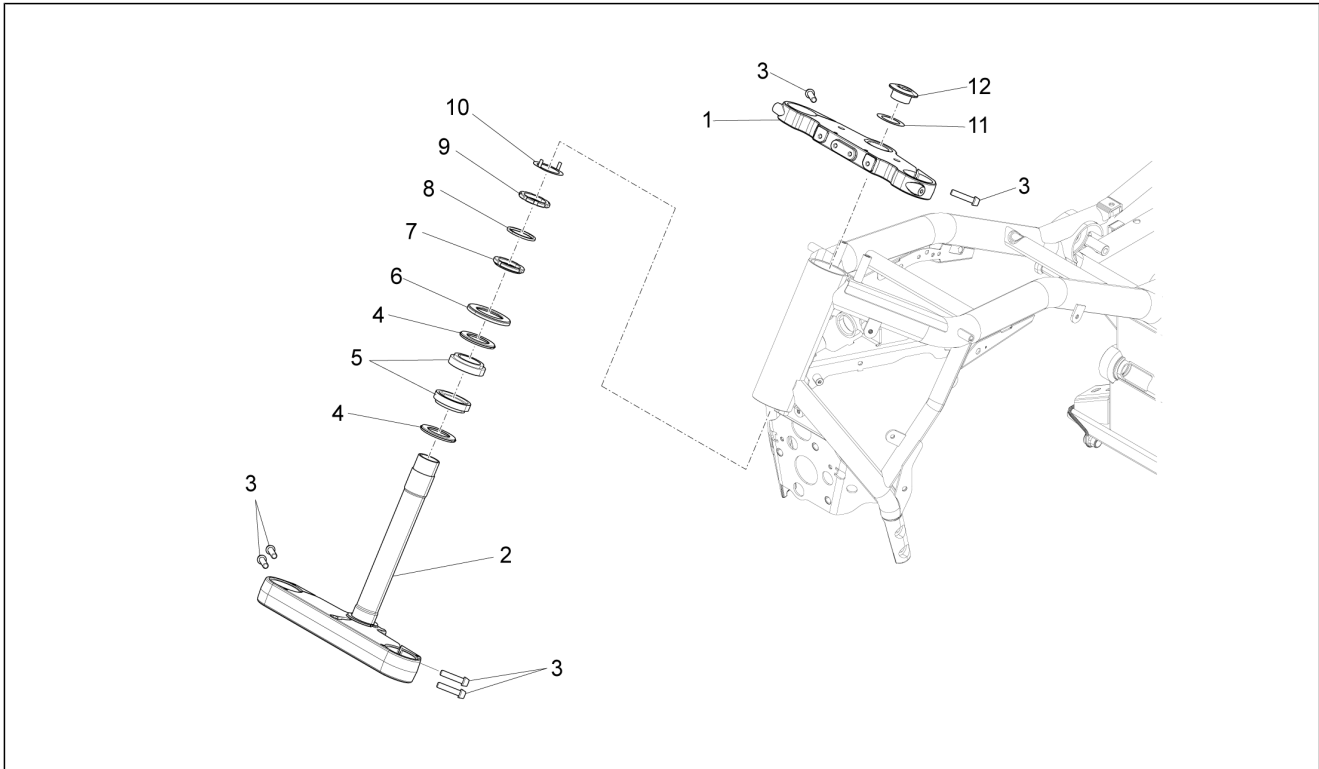
Pos.	Code	Description	Qty	Variants
1	887490	Rear brake caliper	1	
2	GU30654626	Pads pair	1	
3	B064120	Pins+spring kit	1	
4	AP8113755	Air bleed valve	1	

Group	Brake system
Code	06.050
Description	Σύστημα πέδησης ABS
Service	1



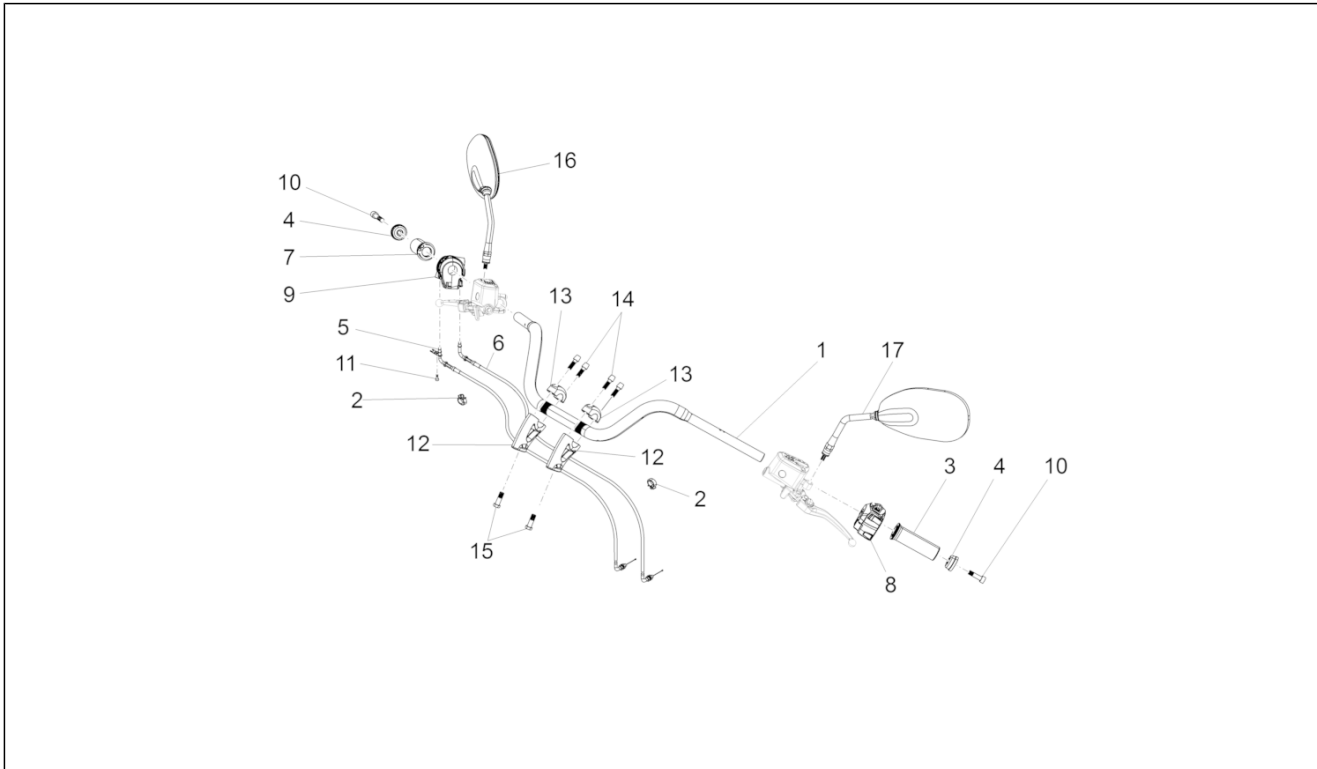
Pos.	Code	Description	Qty	Variants
1	887696	Centralina ABS Cluster	1	
2	860746	Insulating cap	1	
3	B063211	Piastra supporto centralina ABS	1	
4	887798	Coperchio inferiore ABS	1	
5	976591	Special screw	2	
6	254485	Spring plate M6	5	
7	AP8152280	Screw w/ flange M6x25	3	
8	AP8150015	Washer 6,6x18x1,6*	3	
9	AP8120030	Rubber spacer	3	
10	AP8152278	Screw w/ flange M6x16	3	
11	AP8121882	Cable-guide	1	
12	887585	Tubo pinza post. centralina ABS	1	
13	887584	Tubo pompa post. centralina ABS	1	
14	887583	Tubo pinze ant. centralina ABS	1	
15	2B000089	Tubo pompa ant. centralina ABS	1	
16	AP8133945	Bleeder kit	3	
17	AP8113004	Washer 10x14x1,6*	10	
18	AP8113003	Oil pipe screw *	2	
19	AP8113070	Bleed valve cap	2	
19	AP8202238	Cable-guide hook	2	
20	AP8201808	Cable-guide D8	2	

Group	Handlebar - Controls
Code	07.010
Description	Τιμόνι
Service	1



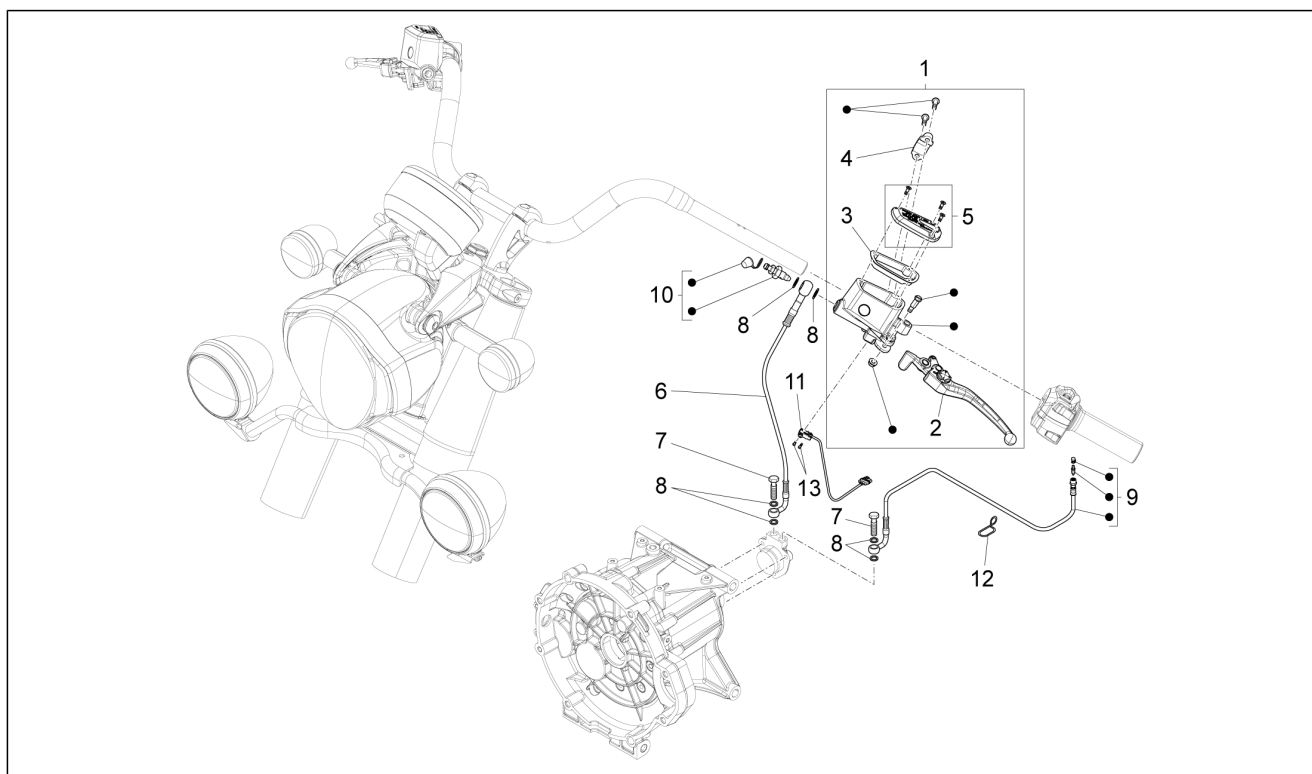
Pos.	Code	Description	Qty	Variants
1	887357	Steering plate	1	
2	887356	Stem base	1	
3	AP8150543	Screw M8x35	6	
4	AP8123641	Dust cover ring	2	
5	AP8110077	Axial ball bearing	2	
6	AP8123644	Dust cover ring	1	
7	AP8123642	Ring nut	1	
8	887831	Rubber spacer	1	
9	AP8123643	Return ring nut	1	
10	887832	Steering security plate	1	
11	AP8152384	Stem plug washer	1	
12	AP8121205	Upper plate fixing bush	1	

Group	Handlebar - Controls
Code	07.020
Description	Τιμόνι - Χειριστήρια
Service	1



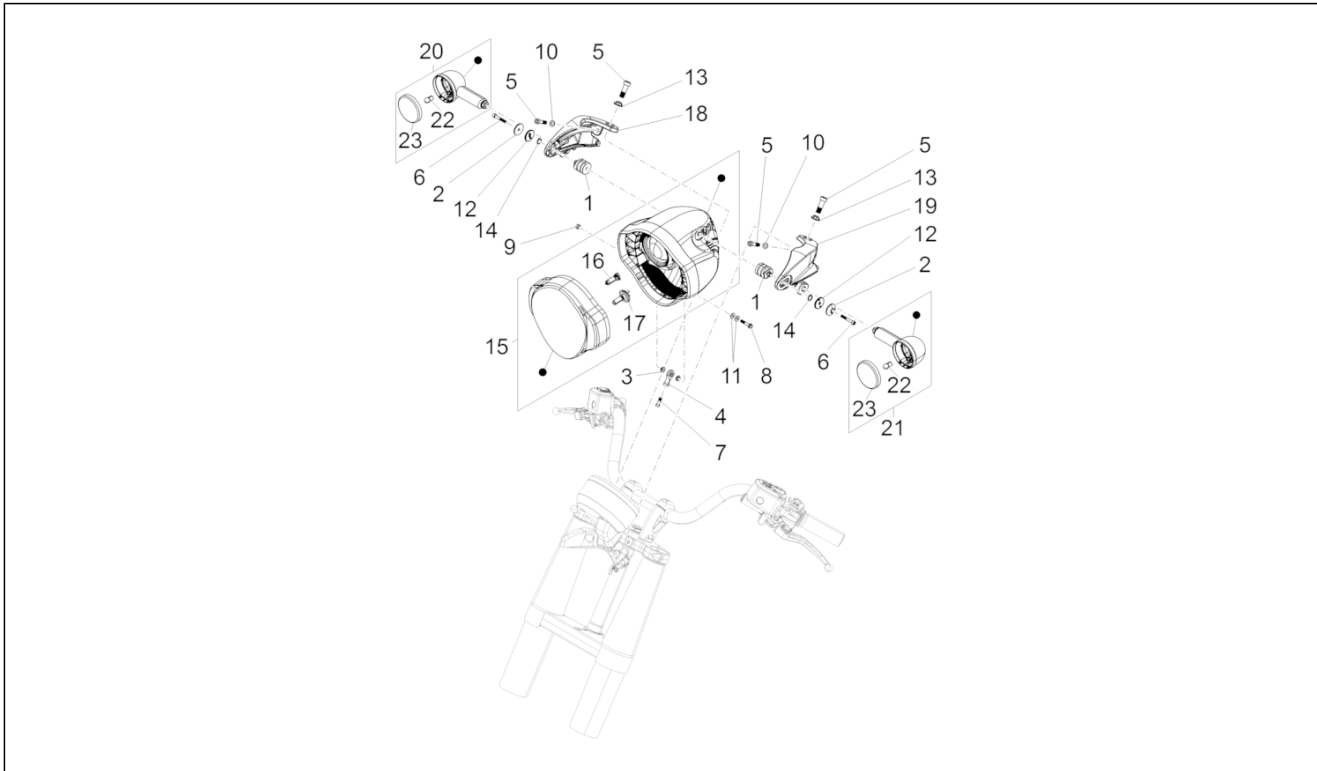
Pos.	Code	Description	Qty	Variants
1	887551	Handlebar	1	
2	641652	Spring	4	
3	GU03603060	LH hand grip	1	
4	GU30602861	Balancing	2	
5	2B000095	Gas trasmission delivery	1	
6	2B000096	Gas trasmission return	1	
7	B063339	Throttle with hand grip	1	
8	887795	LH lights selector	1	
9	887796	RH lights selector	1	
9	B063030	RH lights selector	1	Country:Canadian[CND]
10	GU98690440	screw	2	
11	978059	Self-tap screw	1	
12	GU06500200	Lower U-bolt	2	
13	GU06500600	Upper U-bolt	2	
14	AP8150540	Screw	4	
15	AP8152325	Screw w/ flange	2	
16	2B000170	RH rearview mirror	1	
17	2B000169	LH rearview mirror	1	

Group	Handlebar - Controls
Code	07.030
Description	Χειριστήριο συμπλέκτη
Service	1



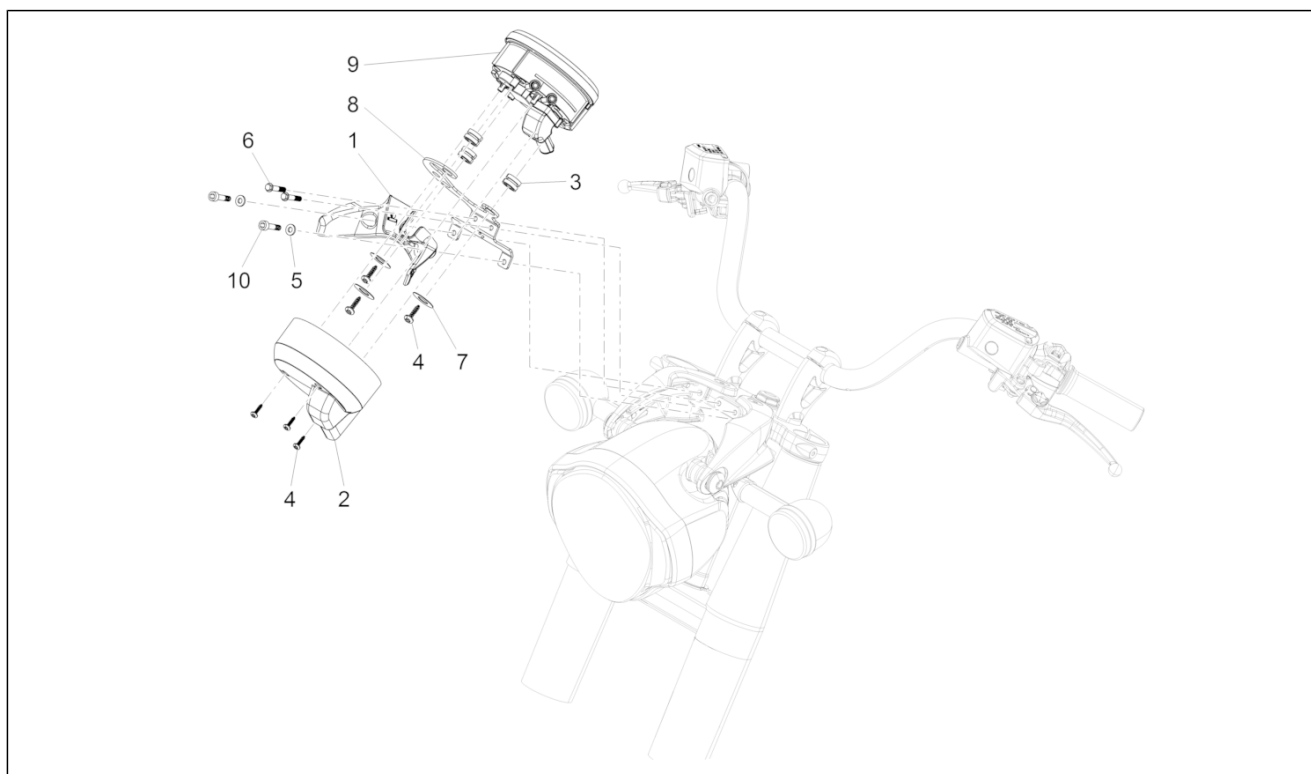
Pos.	Code	Description	Qty	Variants
1	887550	Clutch pump	1	
2	B064265	Clutch lever	1	
3	858424	Diaphragm	1	
4	856050	U-bolt	1	
5	B064106	Pump cover	1	
6	2B000093	Clutch pipe	1	
7	AP8121409	Oil pipe screw	2	
8	AP8113004	Washer 10x14x1,6*	6	
9	887339	Float chambe clutch pipe	1	
10	AP8133945	Bleeder kit	1	
11	887629	Interruttore frizione diagnosticabile	1	
12	AP8120416	Black hose 178x4	1	
13	654174	Special cap screw M2x12*	2	

Group	Lights - Instruments
Code	08.010
Description	Front lights
Service	1



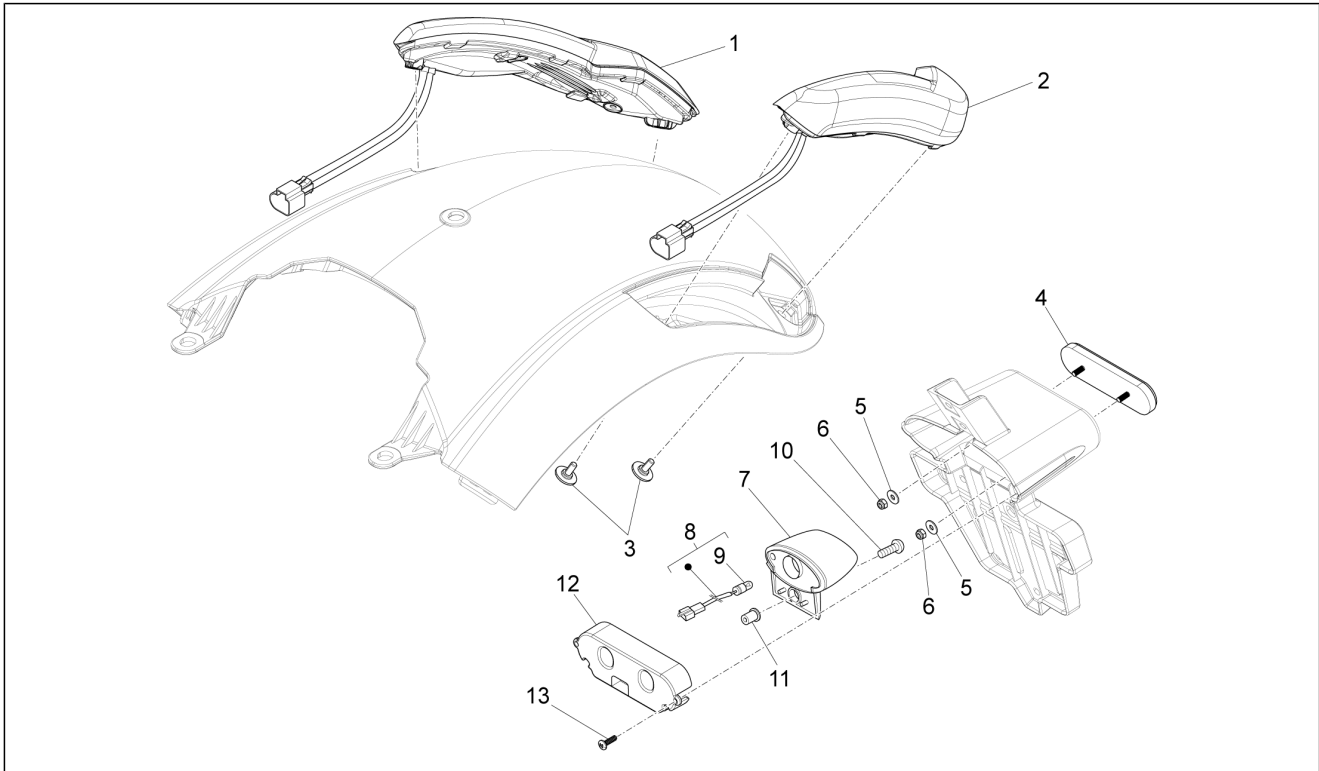
Pos.	Code	Description	Qty	Variants
1	887698	Spacer	2	
2	2B000141	Bush	2	
3	GU91120605	Spacer	2	
4	887921	Articulated head M6	1	
5	AP8150044	Hex socket screw M6x20	4	
6	AP8150045	Hex socket screw M6x55	2	
7	AP8150285	Hex socket screw M6x35	1	
8	AP8152281	Screw w/ flange M6x30	1	
9	GU92630206	Nut M6x1	1	
10	AP8150014	Washer 6,4x12,5*	2	
11	AP8150015	Washer 6,6x18x1,6*	2	
12	887697	Washer	2	
13	AP8150536	Special washer	2	
14	006410	Gasket ring	2	
15	887453	Headlight	1	
16	294353	Lamp H7 55W 12V	1	
17	294278	Lamp H3 12V-55W	1	
18	2B000151	RH headlight supp.	1	
19	2B000152	LH headlight supp.	1	
20	B063028	Front right turn indicator	1	
21	B063029	Front left turn indicator	1	
22	AP8127489	Lamp RY10W 12V	1	
23	2D000007	Turn indicator lens	2	

Group	Lights - Instruments
Code	08.020
Description	Instruments
Service	1



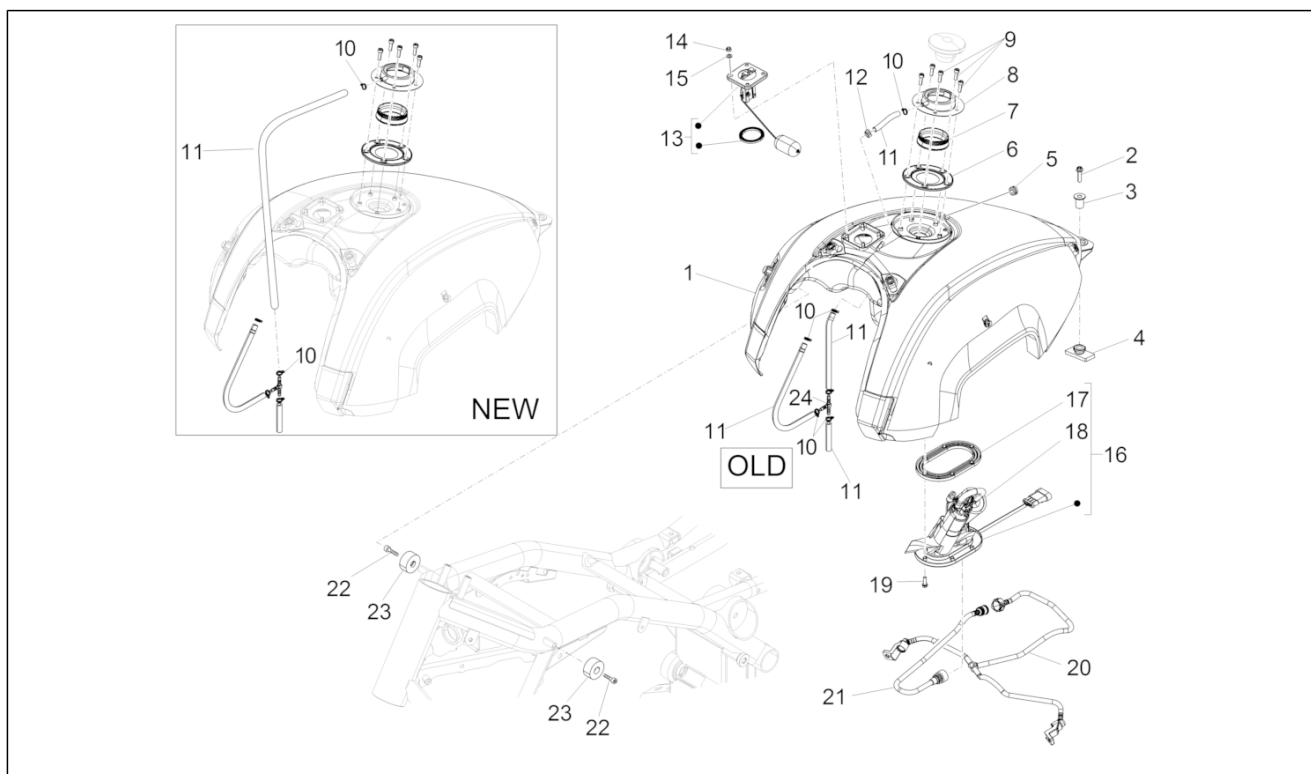
Pos.	Code	Description	Qty	Variants
1	B063936	Front booby hatch	1	
2	887953	Cover cruscotto	1	
3	AP8144662	Rubber spacer	3	
4	AP8150413	Self-tap screw 3,9x14	6	
5	GU95008305	Washer 5,3X10X1	2	
6	AP8152278	Screw w/ flange M6x16	2	
7	AP8150382	Washer 15x5,5X1,2	3	
8	887555	Socket support	1	
9	887540	Dashboard	1	
10	895709	Hex socket screw M5x12	2	

Group	Lights - Instruments
Code	08.030
Description	Rear lights
Service	1



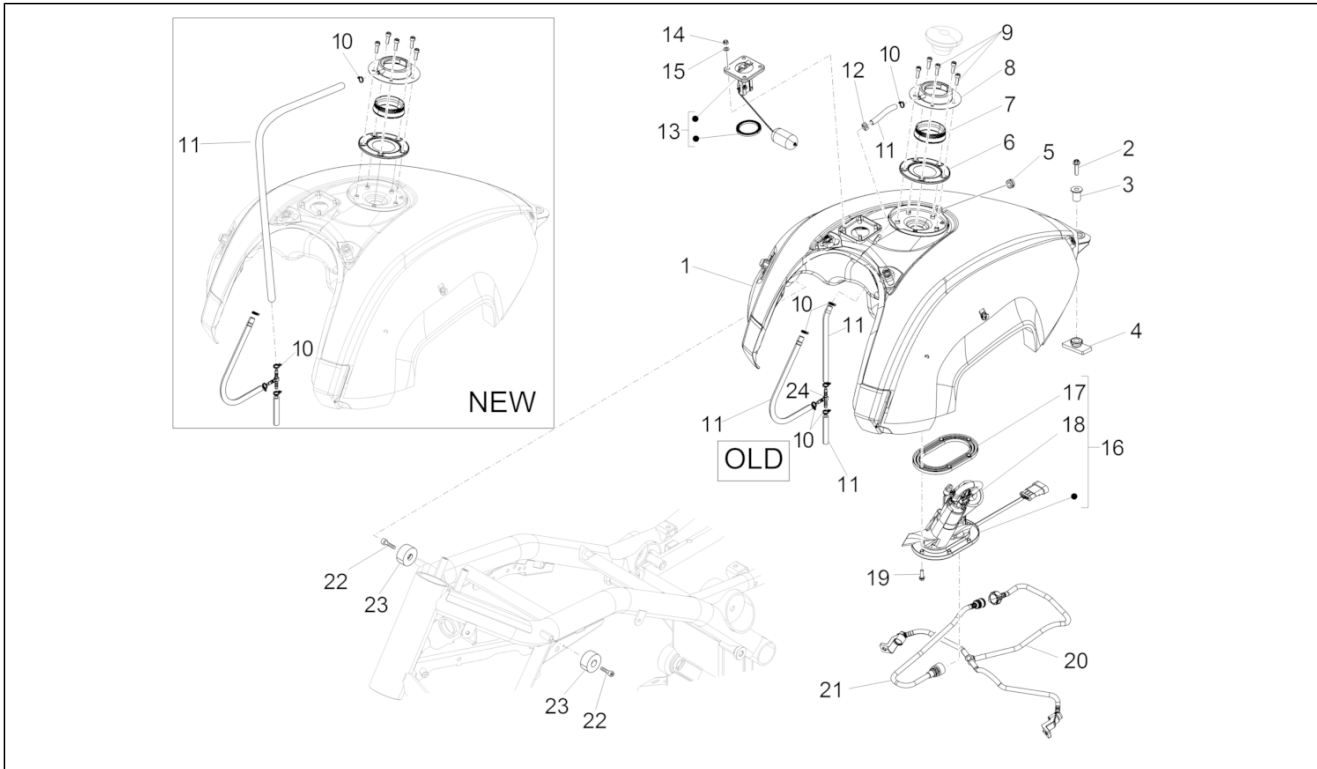
Pos.	Code	Description	Qty	Variants
1	887534	Fanale post.dx EU	1	
1	887536	Rh rear light USA-CND	1	Country:Canadian[CND], United States of America[USA]
2	887535	Fanale post.sx EU	1	
2	887537	Lh rear light USA-CND	1	Country:Canadian[CND], United States of America[USA]
3	976591	Special screw	4	
4	AP8124718	Rear reflector, red	1	
5	AP8150501	Washer	2	
6	AP8150204	Nut M4	2	
7	AP8127098	Number-plate light	1	
8	B063432	Number-plate light	1	
9	292022	Lamp 12V-5W	1	
10	AP8150522	Screw 4,2x16	1	
11	AP8144564	Rubber w/ insert M4	1	
12	B063454	Plate light support	1	
13	AP8150413	Self-tap screw 3,9x14	2	

Group	Tank
Code	09.010
Description	Ρεζερβουάρ βενζίνης
Service	1



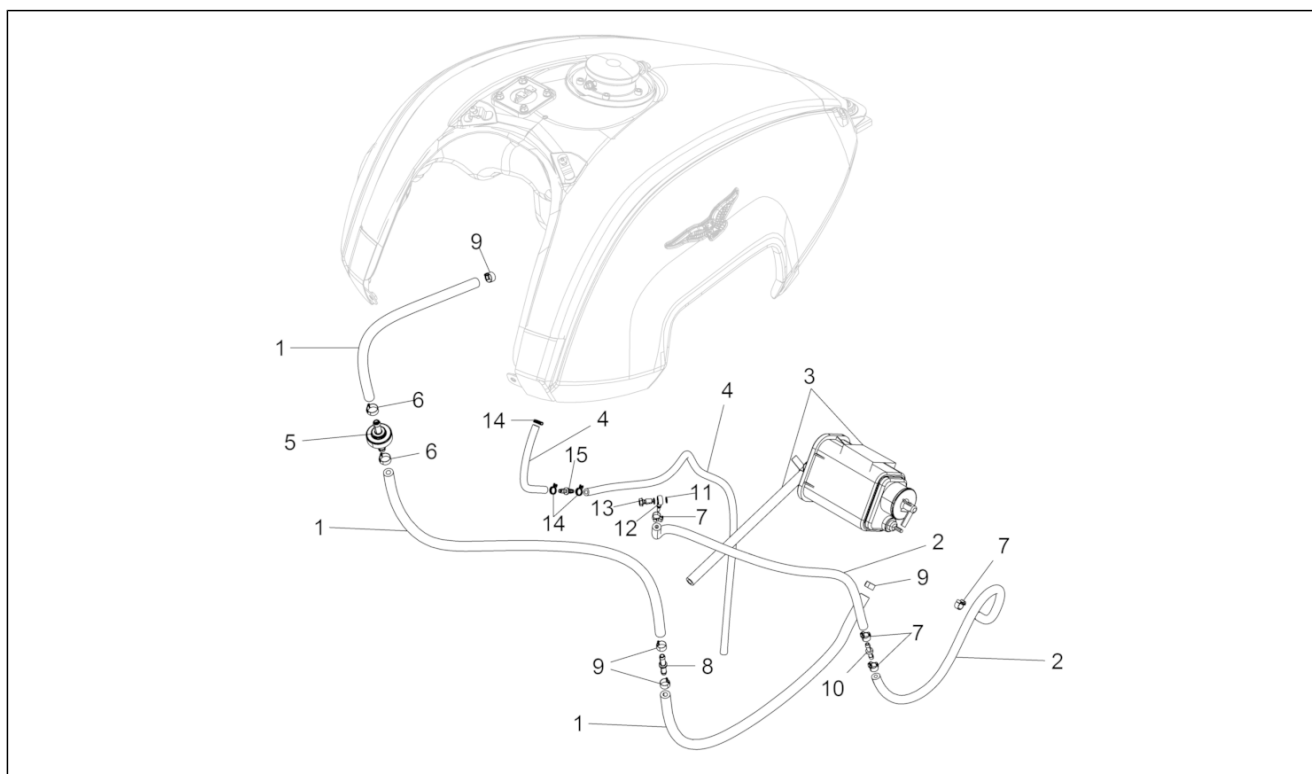
Pos.	Code	Description	Qty	Variants
1	2B000147	Serbatoio benzina grezzo	1	Country:Canadian[CND], europe[EU], United States of America[USA] Technical specification:Serbatoio NEW[NEW]
1	2B000147000XN2	Serbatoio benz. nero comp.	1	Vehicle colour:Competition Black[Nc] Country:Canadian[CND], europe[EU], United States of America[USA] Technical specification:Serbatoio NEW[NEW]
1	2B000147000YE5	Fuel tank, grey	1	Vehicle colour:Grigio Metallo[Gm] Country:Canadian[CND], europe[EU], United States of America[USA] Technical specification:Serbatoio NEW[NEW]
1	886934	Serbatoio benzina grezzo	1	Country:europe[EU] Technical specification:Serbatoio OLD[OLD]
1	88693400XN2	Serbatoio benz. nero comp.	1	Vehicle colour:Competition Black[Nc] Country:europe[EU] Technical specification:Serbatoio OLD[OLD]
1	88693400YE5	Fuel tank, grey	1	Vehicle colour:Grigio Metallo[Gm] Country:europe[EU] Technical specification:Serbatoio OLD[OLD]
2	AP8152281	Screw w/ flange M6x30	1	
3	AP8121511	Bush	1	
4	AP8120557	Tank rubber	1	
5	AP8120405	Rubber spacer	1	
6	B063080	Guarnizione flangia tappo	1	
7	B063246	Distanziale flangia tappo benz.	1	
8	B063079	Flangia aggancio tappo benz.	1	
9	B043864	Hex socket screw M5x14	5	
10	AP8101595	Hose clamp D10,1	5	
11	GU00823944050	pipe 5X9	4	
12	AP8102998	Hose clamp d.9,5	1	
13	B063706	Fuel level sensor	1	

Group	Tank
Code	09.010
Description	Ρεζερβουάρ βενζίνης
Service	1



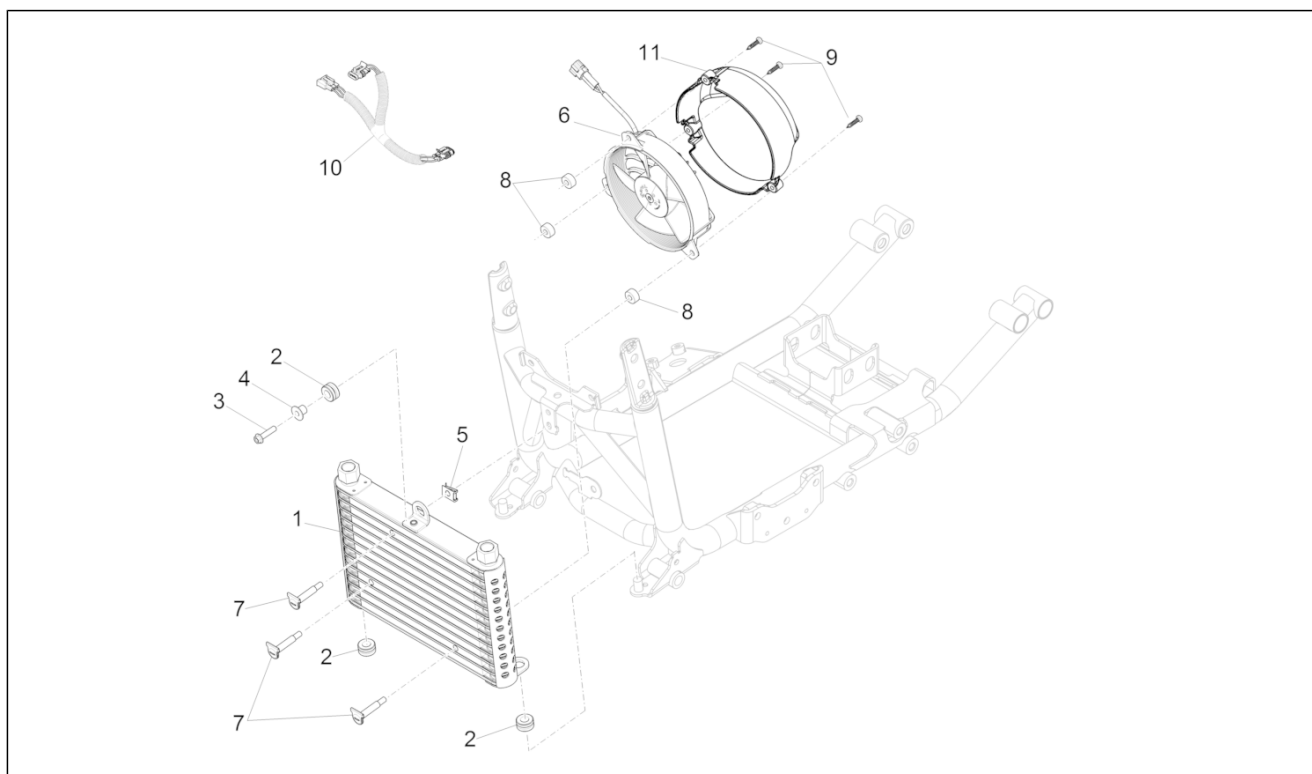
Pos.	Code	Description	Qty	Variants
14	AP8150311	Low self-locking nut	4	
15	GU95008205	Washer 5,3x10x0,8	4	
16	B063104	Fuel pump	1	
17	GU01107490	Gasket	1	
18	GU01106090	Fuel filter	1	
19	AP8152273	Screw w/ flange M5x16	6	
20	B064026	Fuel pipe complete with joints	1	
21	B064027	Fuel pipe complete with joints	1	
22	GU98882416	Vite TCREI M8x16	2	
23	AP8201124	Rubber spacer *	2	
24	AP8104666	3-way union	1	

Group	Tank
Code	09.020
Description	Κύκλωμα ανάκτησης αναθυμιάσεων βενζίνης
Service	1



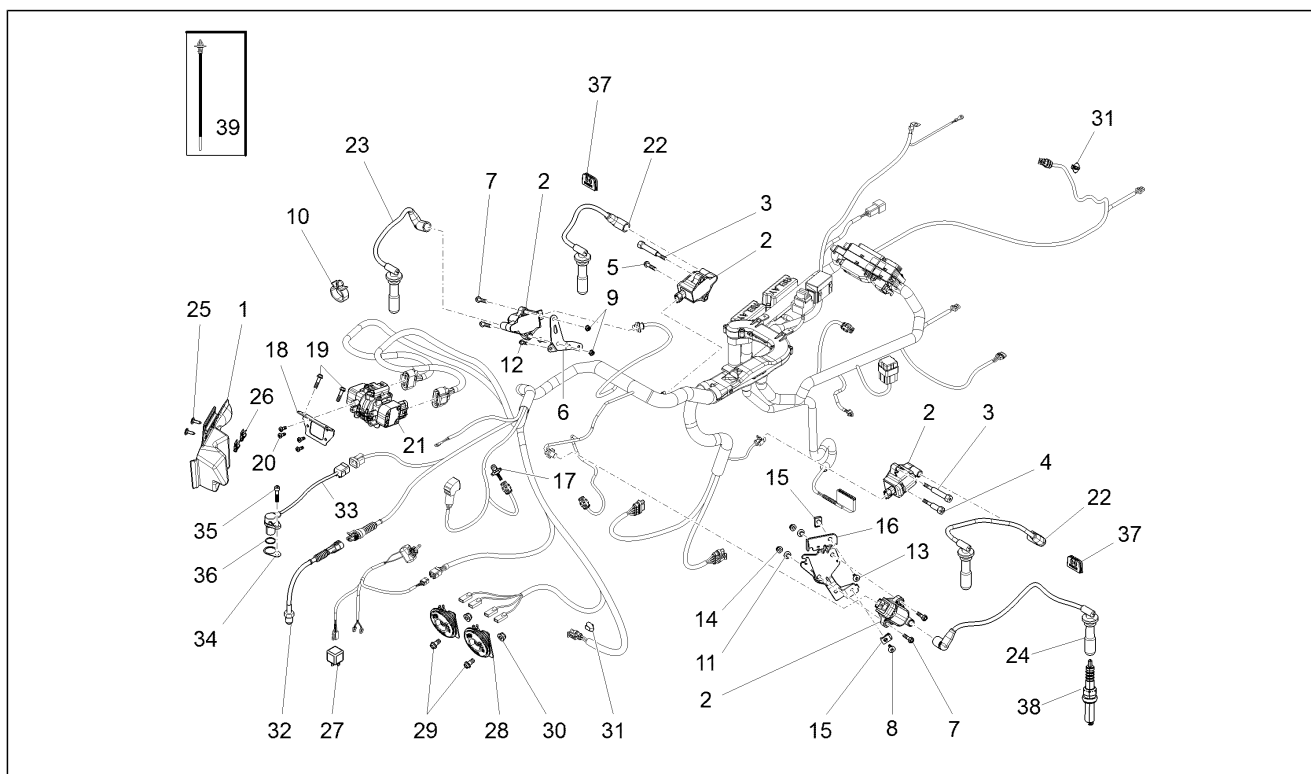
Pos.	Code	Description	Qty	Variants
1	856063	pipe SAE 30 d.12,7x6,35	3	
2	856062	pipe SAE 30 d.11,11x4,8	2	
3	GU01116031	Carbon filter	1	
4	AP8220402	pipe 5x9	2	
5	860138	Valve	1	
6	AP8102239	Hose clamp 12,5x8	2	
7	AP8206773	Hose clamp 35620	4	
8	2B000219	Joint	1	
9	AP8102159	Hose clamp	6	
10	GU06704700	Joint	1	
11	GU90706009	O-ring 6x1	2	
12	GU95963062	Joint	1	
13	GU95990023	Bored screw	1	
14	AP8102377	Hose clamp D9,1*	3	
15	AP8101944	2-way union	1	

Group	Cooling system
Code	10.010
Description	Ψυγείο λαδιού
Service	1



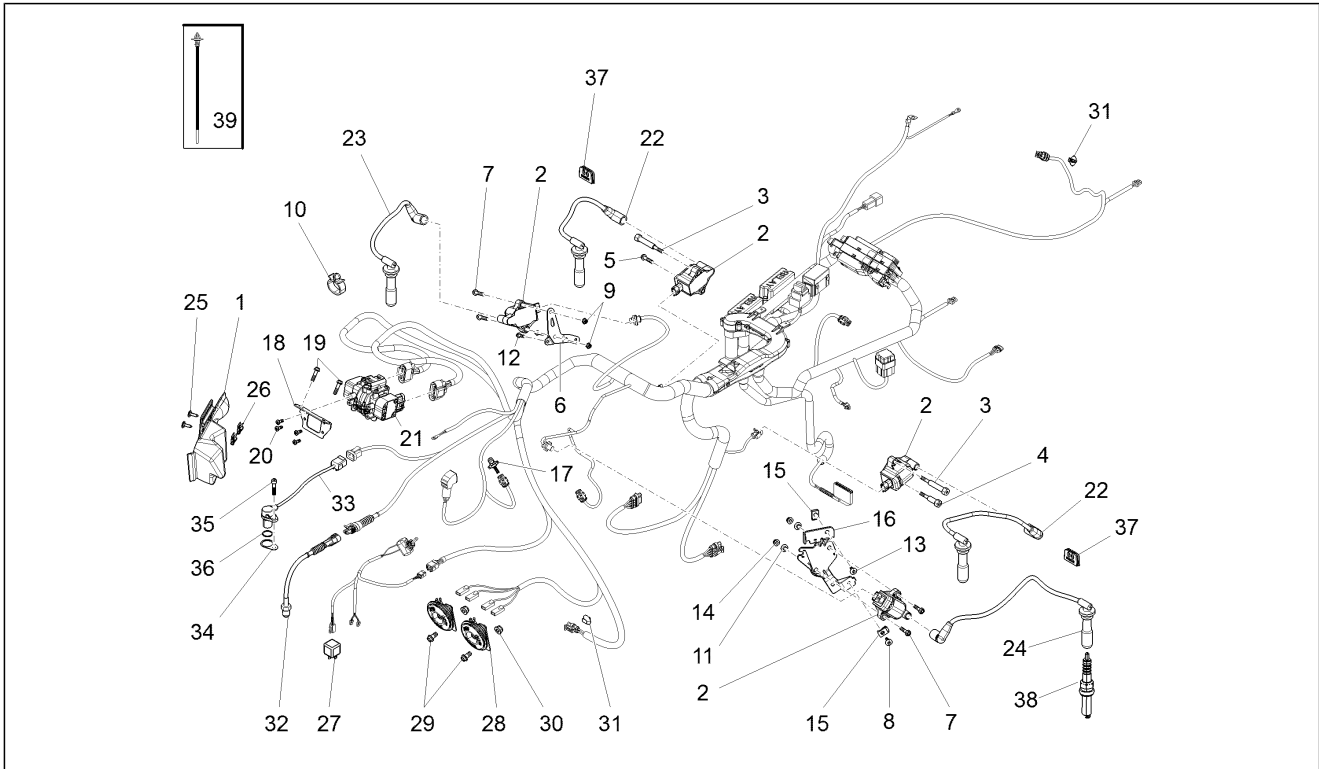
Pos.	Code	Description	Qty	Variants
1	B063090	Oil cooler	1	
2	AP8120030	Rubber spacer	3	
3	AP8152280	Screw w/ flange M6x25	1	
4	AP8221023	T bush	1	
5	254485	Spring plate M6	1	
6	886235	Electric fan assy.	1	
7	AP8121464	Pin	3	
8	AP8161083	Spacer	3	
9	478533	Self-tap screw	3	
10	B063434	Electric fan cable harness	1	
11	B064009	Cooling hood	1	

Group	Electrical systems
Code	11.010
Description	Ηλεκτρική εγκατάσταση εμπρός
Service	1



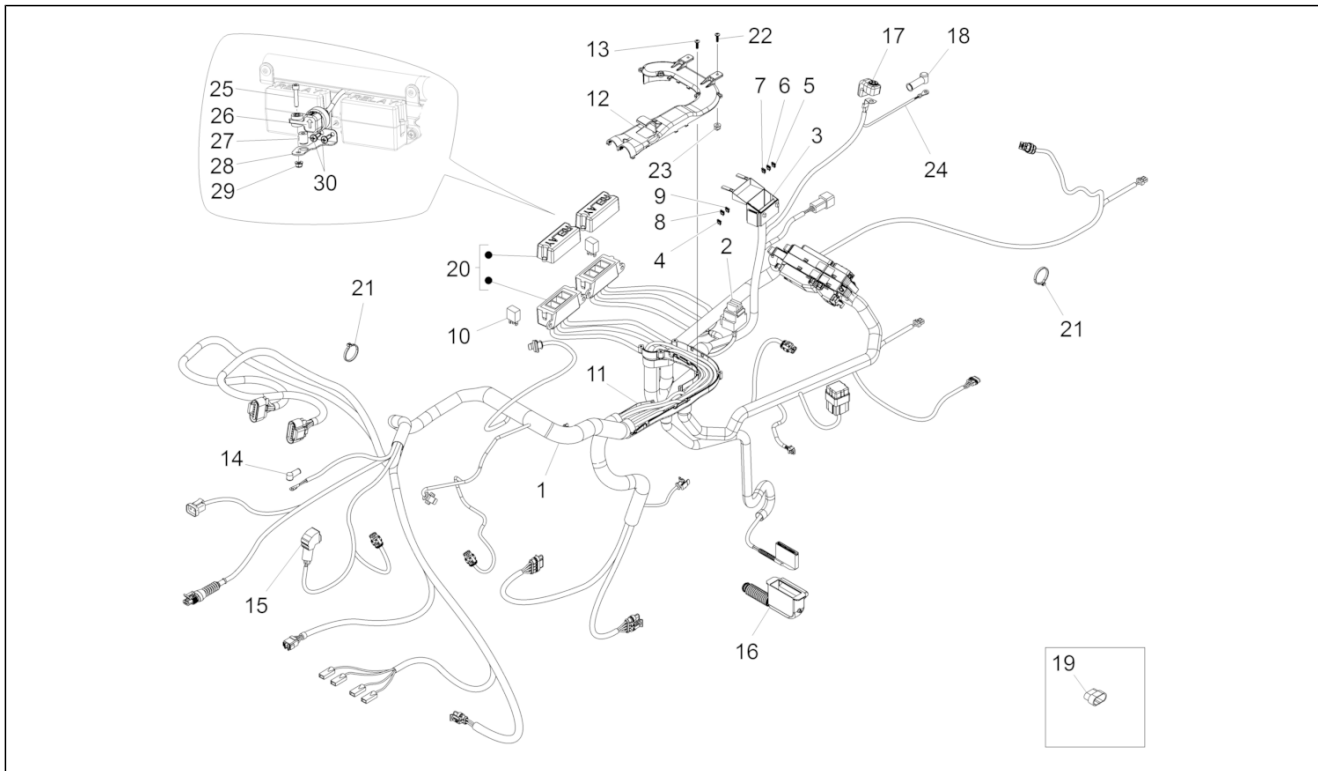
Pos.	Code	Description	Qty	Variants
1	887955	Box	1	
2	641901	HT coil SX	4	
3	B063162	Stud bolt	2	
4	B063844	Stud bolt	1	
5	AP8152280	Screw w/ flange M6x25	1	
6	B063508	Coil holder	1	
7	AP8152281	Screw w/ flange M6x30	2	
8	976614	Screw M5X15	2	
9	GU92630206	Nut M6x1	2	
10	641652	Spring	1	
11	AP8121032	Bush	2	
12	AP8152278	Screw w/ flange M6x16	2	
13	AP8152302	Screw w/ flange M5x12	2	
14	AP8152299	Self-locking nut M6	2	
15	248419	Spring plate m5	2	
16	B063742	Coil holder	1	
17	AP8124936	Air temp. Sensor	1	
18	B063015	Support plate	1	
19	AP8152280	Screw w/ flange M6x25	2	
20	AP8150509	Self-tap screw 5x14	4	
21	B044414	Sensore posizione acceleratore	1	
22	887835	Cavo A.T. completo	2	
23	887836	Cavo A.T. completo	1	
24	B063426	Cavo A.T. completo	1	
25	AP8152302	Screw w/ flange M5x12	2	
26	248419	Spring plate m5	2	
27	AP8224462	Relay 12V/30A	1	
28	890979	Horn	1	

Group	Electrical systems
Code	11.010
Description	Ηλεκτρική εγκατάσταση εμπρός
Service	1



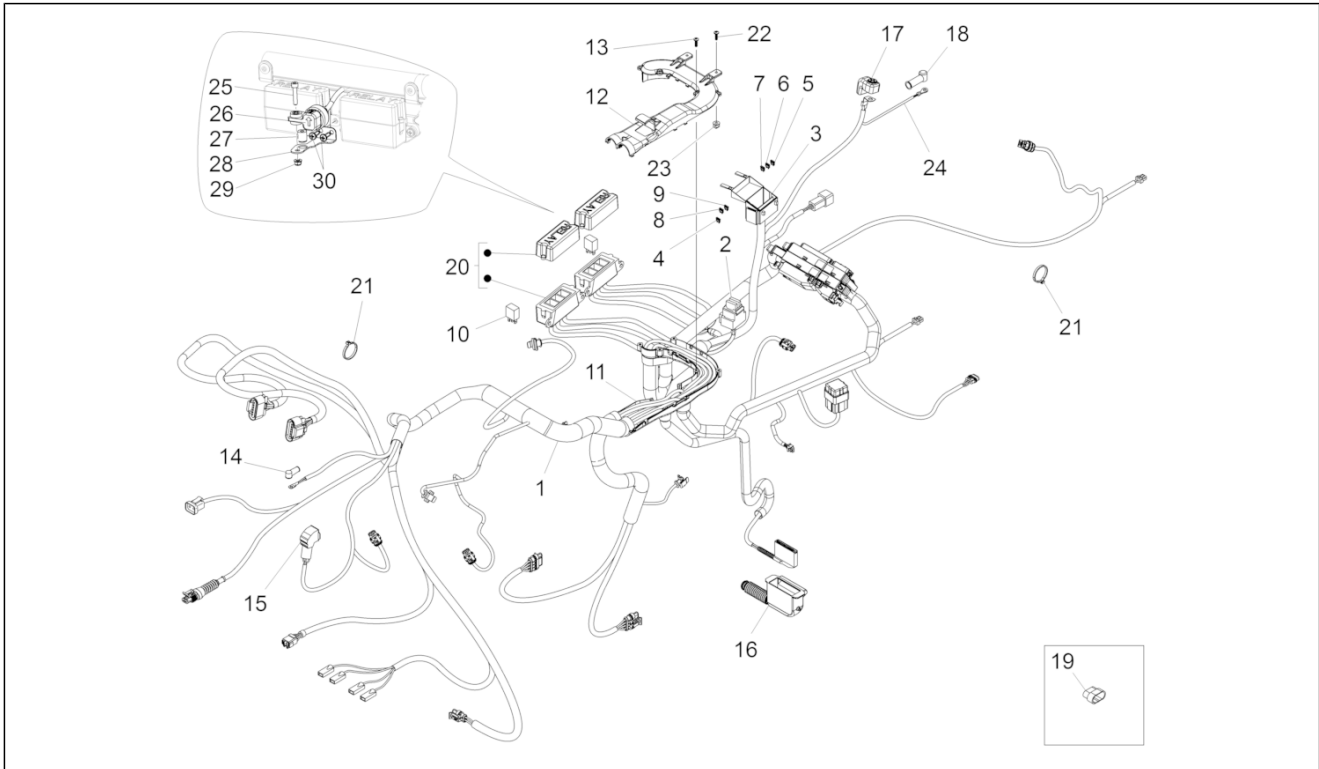
Pos.	Code	Description	Qty	Variants
29	GU98370616	Hex socket screw M6x16 inox	2	
30	254485	Spring plate M6	2	
31	890760	Instrument support	2	
32	887421	Temp. Sensor	1	
33	832029	Encoder sensor	1	
34	B063592	Plate	1	
35	GU98682316	Hex socket screw M6x16	1	
36	GU90706141	O-ring	1	
37	B063131	Rubber spacer	2	
38	887016	Spark plug NGK LMAR8F-9	4	
39	B064017	Fascetta con testa a freccia e ventosa	1	

Group	Electrical systems
Code	11.020
Description	Ηλεκτρική εγκατάσταση κεντρική
Service	1



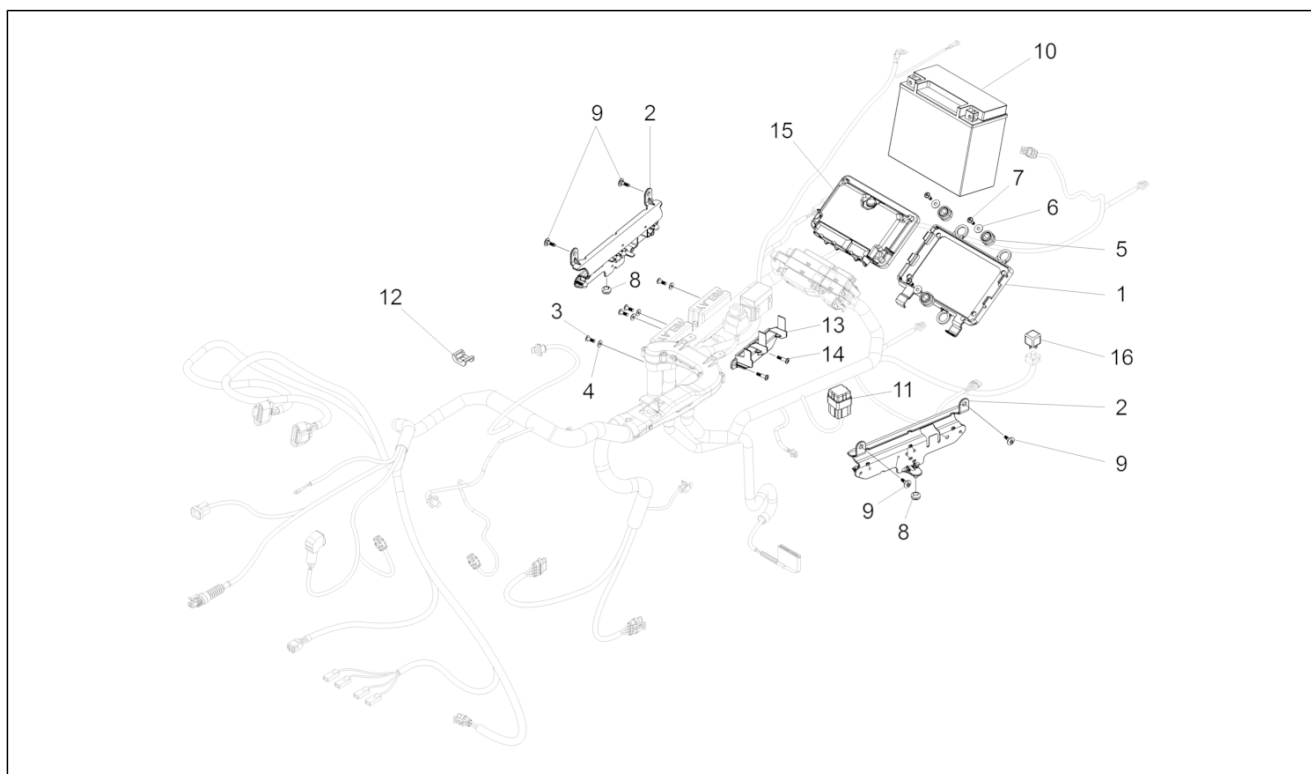
Pos.	Code	Description	Qty	Variants
1	887625	Main wiring harness	1	
2	AP8112811	Rubber fuse box	1	
3	894603	Fuse holder box	1	
4	CM225607	Fuse 7,5A	3	
5	CM225610	Fuse 10A	1	
6	CM225615	Fuse 15A	5	
7	CM225620	Fuse 20A	2	
8	CM225730	Fuse 30A	2	
9	CM225740	Fuse 40A	2	
10	895907	Relay 20A	6	
11	B063026	Base canalina cavi	1	
12	B063027	Coperchio canalina cavi	1	
13	AP8150413	Self-tap screw 3,9x14	6	
14	581061	Cap	1	
15	856152	Insulating cap	1	
16	860746	Insulating cap	1	
17	895701	Terminal cap	1	
18	977916	Insulating cap	1	
19	582928	Plug connect diagnos ECU	1	
20	AP8124293	Relais support	1	
21	145298	Lock-strap L=180mm	2	
22	AP8150413	Self-tap screw 3,9x14	2	
23	AP8102671	Plastic rivet	2	
24	B063433	Earth cable	1	
25	GU98680225	Hex socket screw M5x25	1	Country:Canadian[CND], United States of America[USA]
26	642248	Fall sensor	1	Country:Canadian[CND], United States of America[USA]
27	AP8120712	Rubber spacer	1	Country:Canadian[CND], United States of America[USA]
28	2B000331	Support plate	1	Country:Canadian[CND], United States of America[USA]

Group	Electrical systems
Code	11.020
Description	Ηλεκτρική εγκατάσταση κεντρική
Service	1



Pos.	Code	Description	Qty	Variants
29	AP8152306	Self-locking nut m5	1	Country:Canadian[CND], United States of America[USA]
30	AP8152329	Phillips screw, SWP M5x20	2	Country:Canadian[CND], United States of America[USA]

Group	Electrical systems
Code	11.030
Description	Ηλεκτρική εγκατάσταση πίσω
Service	1



Pos.	Code	Description	Qty	Variants
1	858882	Maintenance	1	
2	B063013	Relais support	2	
3	AP8150509	Self-tap screw 5x14	4	
4	AP8150501	Washer	4	
5	AP8220150	Rubber spacer	3	
6	AP8150382	Washer 15x5,5X1,2	3	
7	AP8150509	Self-tap screw 5x14	3	
8	AP8112600	Rubber spacer	2	
9	AP8152302	Screw w/ flange M5x12	4	
10	883818	Battery	1	
11	896715	Relay rubber	1	
12	896675	Wiring harness support	2	
13	B063806	Bracket	1	
14	AP8152329	Phillips screw, SWP M5x20	2	
15	CM228201	Electronic control unit	1	
16	895481	Injection relay	1	