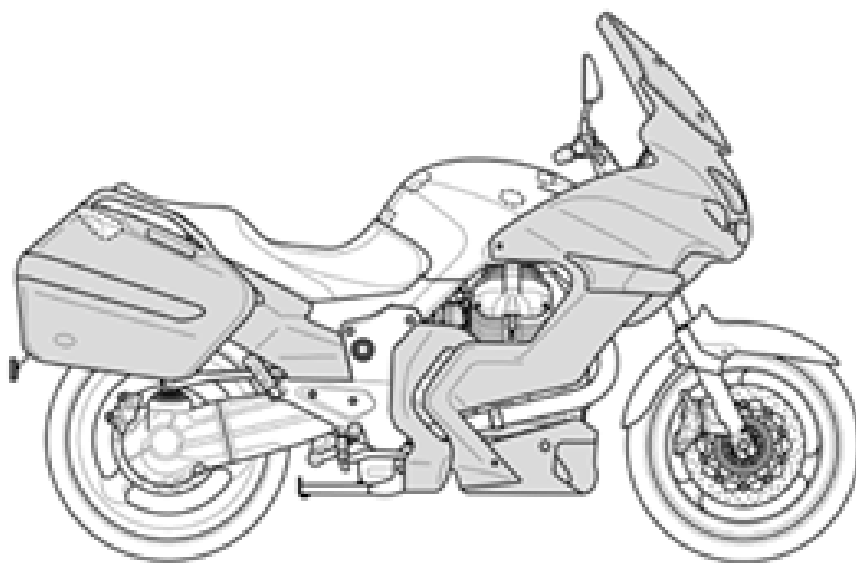




PIAGGIO & C.s.p.a.



## SPARE PARTS CATALOGUE



### **Norge 1200 IE 1200 2006-2008**

Chassis prefix: ZGULPH, ZGULPL, ZGULPU0

Engine prefix:

*NORGE*

**GU083**



## Index

Finished products.....	4
Alphanumeric index.....	6
FRAME.....	14
Table 33.01 - Frame I.....	14
Table 33.02 - Frame II.....	15
Table 33.03 - Stands.....	16
Table 33.04 - Foot rests I.....	18
Table 33.05 - Foot rests II.....	19
Table 33.06 - Gear lever.....	20
Table 33.07 - Steering.....	21
Table 33.08 - Front fork.....	22
Table 33.09 - Swing arm.....	24
Table 33.10 - Transmission complete.....	25
Table 33.11 - Trans.cpl.-Cage.....	26
Table 33.12 - Trans.cpl.-Bevel gear.....	27
Table 33.13 - Connecting rod - rear shock abs.....	28
Table 33.14 - Fuel tank.....	29
Table 33.15 - Fuel vapour recover system.....	31
Table 33.16 - Front body I.....	33
Table 33.17 - Front body II.....	35
Table 33.18 - Electro-Windscreen II.....	37
Table 33.19 - Electro-Windscreen I.....	38
Table 33.20 - Central body.....	40
Table 33.21 - Pillar.....	43
Table 33.22 - Front mudguard.....	44
Table 33.23 - Saddle-Central bod.....	45
Table 33.24 - Rear body - Mudguard.....	47
Table 33.25 - Rear body - Rear fairing.....	49
Table 33.26 - Side cases.....	51
Table 33.27 - Luggage rack.....	54
Table 33.28 - Top box.....	55
Table 33.29 - Dashboard.....	56
Table 33.30 - GPS Navigator TomTom Rider.....	58
Table 33.31 - Handlebar - Controls.....	59
Table 33.32 - Front master cilinder.....	61
Table 33.33 - Clutch control complete.....	62
Table 33.34 - Oil radiator.....	63
Table 33.35 - Blow-by system.....	64
Table 33.36 - Fuel supply.....	65
Table 33.37 - Air box.....	66
Table 33.38 - Exhaust unit.....	67
Table 33.39 - Internal fuel pump.....	69
Table 33.40 - Front wheel.....	70



Table 33.41 - Front brake caliper.....	71
Table 33.42 - Rear wheel.....	72
Table 33.43 - Rear master cylinder.....	73
Table 33.44 - Rear brake caliper.....	75
Table 33.45 - ABS Brake system.....	76
Table 33.46 - Headlight/Horn.....	77
Table 33.47 - Taillight.....	78
Table 33.48 - Electrical system I.....	79
Table 33.49 - Electrical system II.....	81
Table 33.50 - Lock hardware kit.....	83
Table 33.51 - Plate set-decal-op.handbooks.....	84
Table 33.71 - Police Body.....	86
Table 33.72 - Side cases.....	87
Table 33.73 - Police Side cases II.....	88
Table 33.74 - Sirens.....	89
Table 33.75 - Front strobe light.....	90
Table 33.76 - Motorized strobo kit.....	91
Table 33.77 - Police ausiliary Electrical system.....	92
ENGINE.....	93
Table 34.52 - Crank-case.....	93
Table 34.53 - Cylinder head and valves.....	96
Table 34.54 - Drive shaft - Cylinder.....	98
Table 34.55 - Timing system.....	100
Table 34.56 - Oil pump.....	101
Table 34.57 - Oil filters.....	102
Table 34.58 - Clutch.....	103
Table 34.59 - Transmission cage.....	105
Table 34.60 - Gear box selector.....	106
Table 34.61 - Primary gear shaft.....	107
Table 34.62 - Driven shaft.....	108
Table 34.63 - Clutch shaft.....	109
Table 34.64 - Current generator.....	111
Table 34.65 - Starter motor.....	112
Table 34.66 - Throttle body.....	113
Table 34.69 - Single-plate clutch.....	114
Table 34.70 - Single-plate clutch shaft.....	116
SPECIAL TOOLS.....	117
Table 36.67 - Specific tools I.....	117
Table 36.68 - Specific tools II.....	118



## Finished products

Code	Validity
GU9032710AU601	
GU9032710AU602	
GU9032710EU501	
GU9032710EU600	
GU9032710EU601	
GU9032710EU602	
GU9032710EU603	
GU9032710GB600	
GU9032710GB601	
GU9032710GB700	
GU9032710GB702	
GU9032710GB703	
GU9032710GB800	
GU9032710GB804	
GU9032710JP601	
GU9032711EU601	
GU9032711EU603	
GU9032712AU601	
GU9032712AU602	
GU9032712AU603	
GU9032712EU600	
GU9032712EU601	
GU9032712EU602	
GU9032712EU603	
GU9032712GB601	
GU9032712GB603	
GU9032712JP601	
GU9032712JP602	
GU9032712JP603	
GU9032713AU601	
GU9032713AU602	
GU9032713AU603	
GU9032713EU600	
GU9032713EU601	
GU9032713EU602	
GU9032713EU603	
GU9032713EU800	
GU9032713EU801	
GU9032713EU803	
GU9032713EU804	
GU9032713GB600	
GU9032713GB601	



NORGE  
GU083 - Norge 1200 IE 1200 2006-2008

Chassis prefix: ZGULPH, ZGULPL,  
ZGULPU0  
Engine prefix:

Code	Validity
GU9032713GB602	
GU9032713GB603	
GU9032713GB800	
GU9032713GB801	
GU9032713GB803	
GU9032713GB804	
GU9032713JP600	
GU9032713JP601	
GU9032713JP602	
GU9032713JP603	
GU9032730EU600	
GU9032730EU601	
GU9032730EU702	
GU9032731EU801	



Code	No. table	Pos.	Code	No. table	Pos.	Code	No. table	Pos.
0000000	33.40	14	883807	33.51	15	976595	34.69	12
0000000	33.42	8	883818	33.49	2	976596	34.69	12
00000000	33.08	26	883819	33.49	3	976679	34.69	14
000000000	33.30	5	883828	33.24	1	976682	34.69	15
224202	34.53	8	883864	33.24	1	976688	34.56	17
269787	33.16	4	884033	33.43	24	976912	34.52	45
269787	33.18	3	887422	33.39	1	976913	34.59	17
277916	34.56	2	969973	34.53	46	976924	34.59	17
560173	33.16	5	976003	34.54	13	976955	34.52	45
560173	33.18	4	976023	34.69	1	976955	34.59	17
639542	33.03	12	976031	34.54	12	9769885	34.52	45
825597	34.53	9	976052	34.53	20	977041	33.43	14
825597	34.54	24	976053	34.69	2	977044	33.71	11
829122	34.57	17	976064	34.54	9	977045	33.71	12
849131	34.54	14	976068	34.53	45	977056	33.42	10
856062	33.15	8	976069	34.54	2	977079	33.03	10
856063	33.15	6	976070	34.54	4	977080	33.03	11
883045	33.10	7	976071	34.54	5	977093	33.03	10
883079	33.38	24	976072	34.54	6	977100	33.16	1
883098	33.23	1	976079	34.53	1	9771000YG1	33.16	1
883133	33.08	1	976080	34.53	2	977100F2	33.16	1
883133	33.08	1	976083	34.52	25	977100ND	33.16	1
883147	33.28	4	976095	34.53	36	977100Y01	33.16	1
883225	33.16	2	976098	34.52	15	977103	33.17	17
88323300YA1	33.72	1	976101	34.52	27	977104	33.17	16
88323400YA1	33.72	2	976102	34.59	1	977105	33.17	12
88323500YA1	33.72	3	976104	34.59	5	977106	33.17	2
883246	33.26	20	976107	34.53	3	977107	33.17	13
883304	33.77	5	976110	34.52	1	977108	33.17	3
883308	33.73	2	976118	34.54	17	977109	33.20	13
883309	33.73	3	976126	33.10	1	97710900YA1	33.20	13
883310	33.31	33	976134	34.56	1	97710900YG1	33.20	13
883311	33.31	34	976139	34.53	38	977109F2	33.20	13
88331800YA1	33.71	4	976144	34.53	41	977109ND	33.20	13
883323	33.71	1	976152	34.53	4	977109Y01	33.20	13
883324	33.73	6	976153	34.53	22	977110	33.20	1
883325	33.73	5	976165	34.56	3	97711000YA1	33.20	1
883326	33.73	4	976168	34.56	15	97711000YG1	33.20	1
883329	33.73	1	976171	34.54	16	977110F2	33.20	1
883330	33.74	1	976172	34.54	16	977110ND	33.20	1
883331	33.76	1	976177	34.61	4	977110Y01	33.20	1
883332	33.31	29	976178	34.62	7	977113	33.20	14
883333	33.51	13	976179	34.61	9	977114	33.20	15
883344	33.29	1	976180	34.62	11	977118	33.16	2
883353	33.77	1	976181	34.53	10	977118	33.18	1
883354	33.29	2	976182	34.54	1	977119	33.17	6
88335500YA1	33.23	5	976183	34.54	3	977121	33.17	11
88335600YA1	33.23	2	976184	34.52	43	977125	33.17	4
883357	33.71	7	976185	34.52	44	977126	33.17	10
883358	33.71	8	976187	34.54	17	977130	33.46	1
883359	33.31	30	976352	34.70	1	977132	33.30	2
883361	33.74	6	976448	34.56	6	977149	33.36	3
883362	33.74	5	976481	34.54	20	977150	33.29	8
883363	33.76	7	976481	34.69	7	97720100YG1	33.26	2
883364	33.76	6	976484	34.54	21	977201F2	33.26	2
883365	33.76	2	976484	34.69	8	977201ND	33.26	2
883376	33.13	1	976521	33.38	19	977201Y01	33.26	2
883387	33.29	18	976522	33.38	11	97720200YG1	33.26	3
883388	33.75	1	976523	33.38	12	977202F2	33.26	3
883390	33.03	27	976532	34.70	4	977202ND	33.26	3
883394	33.51	16	976533	34.70	3	977202Y01	33.26	3
883395	33.51	14	976535	34.69	5	977218	33.26	5
883396	33.51	15	976563	34.69	9	977218	33.72	5
883400	33.29	22	976564	34.69	10	977261	33.09	1
883802	33.31	16	976587	34.59	5	977262	33.10	2
883805	33.51	16	976593	34.69	12	977266	33.40	1
883806	33.51	14	976594	34.69	12	977268	33.42	1



Code	No. table	Pos.	Code	No. table	Pos.	Code	No. table	Pos.
977303	33.26	4	97771900YG1	33.17	1	978189	33.51	16
977303	33.27	11	977719F2	33.17	1	978190	33.51	14
977303	33.72	4	977719ND	33.17	1	978195	33.77	8
977340	33.42	5	977719Y01	33.17	1	978208	33.71	19
977408	33.03	11	97772000YG1	33.17	9	978215	33.75	4
977520	33.49	8	977720F2	33.17	9	978220	33.26	19
977521	33.48	1	977720ND	33.17	9	978220	33.28	3
977521	33.49	1	977720Y01	33.17	9	978220	33.50	5
977522	33.31	5	97772100YA1	33.20	4	978220	33.72	18
977523	33.29	1	97772100YG1	33.20	4	978234	33.28	6
977577	33.51	15	977721F2	33.20	4	978313	33.51	11
977583	33.16	6	977721ND	33.20	4	978496	34.52	49
977584	33.16	7	977721Y01	33.20	4	978505	33.49	11
977586	33.02	1	977735	33.26	9	978570	33.31	16
977596	33.16	12	977739	33.31	23	978571	33.46	14
977597	33.16	13	977740	33.31	25	97857200F2	33.29	10
977600	33.16	8	977761	33.49	27	978574	33.30	2
977602	33.02	8	977762	33.49	28	978585	33.30	1
977604	33.18	7	977767	33.31	22	978586	33.30	1
977605	33.18	8	977768	33.31	21	978587	33.30	1
977606	33.19	10	977769	33.49	22	978589	33.29	16
977607	33.19	11	977771	33.49	23	978606	33.32	1
977608	33.19	12	977772	33.49	21	978607	33.33	1
977609	33.19	5	977773	33.49	20	978619	33.71	17
977610	33.19	2	977777	33.51	13	978739	34.69	3
977618	33.07	16	977780	33.31	11	978825	33.39	1
977618	33.20	9	977783	33.31	9	981046	33.33	2
977619	33.20	8	977784	33.31	1	981050	33.32	2
977623	33.20	12	977785	33.25	11	981051	33.13	17
977628	33.31	19	977788	33.01	13	981084	33.08	15
977629	33.31	20	977798	33.38	28	981084	33.08	15
977630	33.31	19	977809	33.01	7	981085	33.08	20
977631	33.31	20	977852	33.29	2	981085	33.08	20
977638	33.19	4	977854	33.18	5	981086	33.08	19
977641	33.19	18	977857	33.29	2	981086	33.08	19
977644	33.18	10	977874	33.48	32	981087	33.29	23
977644	33.19	15	977881	33.19	17	981087	33.50	7
977645	33.18	11	977906	33.31	26	981115	34.57	18
977645	33.19	14	977919	33.30	3	983076	33.38	1
977646	33.19	19	977920	33.30	4	983077	33.38	2
977664	33.38	13	977921	33.28	5	AP4ADN000007	34.52	30
9776651	33.38	20	977928	33.01	16	AP4FAN000030	34.64	10
977666	33.50	1	977929	33.01	15	AP8101372	33.34	6
977670F2	33.29	10	977930	33.74	9	AP8101586	33.35	9
977670F2	33.29	10	97796400YA1	33.25	2	AP8101588	33.35	11
977671	33.51	1	97796500YA1	33.25	1	AP8101595	33.14	12
977676	33.48	2	977966	33.20	14	AP8101595	33.15	10
977677	33.31	14	977967	33.20	15	AP8101595	33.24	15
977678	33.31	15	977968	33.24	7	AP8101595	33.37	17
977679	33.31	13	977969	33.75	3	AP8101595	33.43	5
977681	33.16	11	977970	33.75	2	AP8101595	34.59	15
977682	33.51	6	977974	33.01	1	AP8101861	33.04	13
977683	33.05	1	97798000YA1	33.16	1	AP8101944	33.15	11
977684	33.05	11	977993	33.71	16	AP8101968	33.43	16
977692	33.23	1	978060	33.19	1	AP8102151	33.35	3
977693	33.07	13	978069	33.25	11	AP8102151	33.43	28
977698	33.16	15	978074	33.71	3	AP8102375	33.16	17
977699	33.16	20	978086	33.38	28	AP8102375	33.17	7
977700	33.01	1	978104	33.51	1	AP8102375	33.18	14
977705F2	33.28	1	978114	33.24	1	AP8102375	33.20	3
977705ND	33.28	1	97812200YA1	33.17	1	AP8102375	33.21	3
977705Y01	33.28	1	978133	33.51	11	AP8102375	33.22	3
97770600YG1	33.26	1	97813400YA1	33.17	9	AP8102375	33.24	6
977706F2	33.26	1	978136	33.31	15	AP8102375	33.25	4
977706ND	33.26	1	978152	33.19	8	AP8102375	33.71	6
977706Y01	33.26	1	978167	33.51	11	AP8102377	33.15	5
977708	33.30	6	978170	33.16	22	AP8102378	33.15	17



Code	No. table	Pos.	Code	No. table	Pos.	Code	No. table	Pos.
AP8102378	33.15	4	AP8121205	33.07	9	AP8150015	33.72	15
AP8102381	33.17	7	AP8121207	33.07	4	AP8150046	33.05	12
AP8102381	33.29	15	AP8121218	33.10	4	AP8150046	34.52	16
AP8102381	33.71	10	AP8121221	33.06	2	AP8150248	33.71	22
AP8102502	33.23	12	AP8121221	33.43	19	AP8150248	33.75	8
AP8102520	33.35	4	AP8121467	33.03	2	AP8150255	33.29	4
AP8102523	33.23	11	AP8121567	33.04	1	AP8150280	33.75	5
AP8102524	33.03	17	AP8121607	33.03	15	AP8150292	33.03	22
AP8102678	33.15	1	AP8121795	33.19	9	AP8150292	33.13	13
AP8102765	33.35	17	AP8121804	33.14	6	AP8150333	33.26	10
AP8102913	33.23	8	AP8121890	33.27	7	AP8150333	33.72	10
AP8102914	33.23	7	AP8121915	33.33	9	AP8150421	33.29	9
AP8104211	33.37	2	AP8121927	33.43	23	AP8150421	33.37	13
AP8104451	33.14	15	AP8121994	33.03	15	AP8150429	33.26	14
AP8104572	33.31	7	AP8123641	33.07	7	AP8150429	33.72	14
AP8104614	33.15	7	AP8123642	33.07	5	AP8150432	33.01	11
AP8104666	33.14	13	AP8123643	33.07	3	AP8150450	33.17	15
AP8104666	33.15	9	AP8123644	33.07	6	AP8150462	33.06	5
AP8106713	33.33	1	AP8124266	33.49	14	AP8150462	33.43	22
AP8110066	33.13	5	AP8124768	33.49	13	AP8150493	33.29	6
AP8110068	33.13	6	AP8124768	33.71	20	AP8150493	33.46	10
AP8110077	33.07	8	AP8124869	33.49	16	AP8150509	33.27	10
AP8112811	33.49	9	AP8124936	33.48	31	AP8150509	33.29	5
AP8112811	33.77	2	AP8124976	33.47	6	AP8150509	33.35	7
AP8112996	33.43	27	AP8125773	33.40	4	AP8152001	33.03	16
AP8113288	33.43	3	AP8125777	33.40	3	AP8152043	34.55	21
AP8113594	33.43	2	AP8125779	33.40	5	AP8152055	33.25	14
AP8113993	33.32	5	AP8125791	33.40	9	AP8152140	33.26	16
AP8113993	33.33	4	AP8127469	33.40	18	AP8152140	33.72	16
AP8113995	33.32	3	AP8127552	33.47	9	AP8152147	33.13	12
AP8113997	33.33	5	AP8127648	33.31	11	AP8152154	33.27	6
AP8113998	33.33	6	AP8127683	33.46	6	AP8152238	33.29	14
AP8117200	33.49	5	AP8127684	33.46	5	AP8152242	33.10	5
AP8117200	34.65	5	AP8127701	33.46	9	AP8152267	33.24	9
AP8118579	33.31	6	AP8127702	33.46	7	AP8152272	33.20	11
AP8118659	33.33	2	AP8127817	33.39	5	AP8152272	33.42	12
AP8120030	33.02	6	AP8133510	33.32	2	AP8152272	33.71	18
AP8120030	33.20	16	AP8133594	33.33	8	AP8152273	33.36	2
AP8120030	33.37	12	AP8133594	33.45	2	AP8152273	33.43	30
AP8120030	33.48	5	AP8133597	33.45	8	AP8152274	33.36	1
AP8120177	33.49	6	AP8134167	33.15	18	AP8152277	33.04	3
AP8120178	33.43	13	AP8134378	33.38	22	AP8152277	33.49	12
AP8120405	33.20	21	AP8134378	33.38	30	AP8152278	33.16	14
AP8120405	33.47	4	AP8134448	33.24	8	AP8152278	33.18	6
AP8120428	33.37	19	AP8134451	33.04	9	AP8152278	33.19	3
AP8120428	34.66	17	AP8134884	33.15	2	AP8152278	33.26	13
AP8120455	33.25	16	AP8135608	33.13	8	AP8152278	33.37	20
AP8120485	33.12	7	AP8135924	33.13	4	AP8152278	33.40	19
AP8120594	33.20	16	AP8140190	36.68	2	AP8152278	33.42	14
AP8120594	33.20	7	AP8144007	33.06	7	AP8152278	33.43	12
AP8120594	33.21	7	AP8144007	33.43	25	AP8152278	33.72	13
AP8120615	33.37	4	AP8144030	33.03	21	AP8152278	33.76	11
AP8120876	33.37	18	AP8144038	33.37	16	AP8152278	34.58	14
AP8120912	33.06	3	AP8144046	33.49	15	AP8152278	34.69	4
AP8120912	33.43	20	AP8144071	33.38	23	AP8152279	33.37	10
AP8120952	33.14	14	AP8144164	33.37	7	AP8152279	33.43	4
AP8120952	33.15	6	AP8144303	33.15	9	AP8152279	33.48	4
AP8120952	33.24	14	AP8144538	33.02	7	AP8152280	33.74	2
AP8120952	34.59	16	AP8144538	33.23	3	AP8152282	33.48	7
AP8120965	33.14	11	AP8144553	33.49	7	AP8152285	33.46	12
AP8120965	33.15	13	AP8144565	33.29	7	AP8152287	33.20	5
AP8121032	34.65	7	AP8144629	33.26	7	AP8152287	33.21	5
AP8121096	33.25	15	AP8144629	33.72	7	AP8152287	33.74	7
AP8121098	33.12	6	AP8145034	33.04	6	AP8152291	33.14	7
AP8121133	33.04	12	AP8145035	33.04	8	AP8152291	34.52	46
AP8121155	33.13	10	AP8149034	33.24	20	AP8152292	33.25	8
AP8121170	33.38	17	AP8150015	33.26	15	AP8152298	33.18	15





Code	No. table	Pos.	Code	No. table	Pos.	Code	No. table	Pos.
AP8152298	33.20	19	AP8221128	33.02	5	GU01654630	33.41	3
AP8152298	33.36	5	AP8221128	33.20	6	GU01659130	33.41	5
AP8152298	33.47	2	AP8221128	33.21	6	GU01659131	33.41	6
AP8152298	34.53	21	AP8221145	33.43	11	GU01704501	33.77	4
AP8152299	33.23	10	AP8221204	33.03	18	GU01721600	33.48	20
AP8152299	33.24	22	AP8221211	33.03	19	GU01722700	33.48	22
AP8152299	33.48	29	AP8221227	33.01	12	GU01722701	33.48	22
AP8152299	33.74	4	AP8221277	33.04	5	GU01722702	33.48	22
AP8152300	33.02	3	AP8221307	33.01	9	GU01722703	33.48	22
AP8152300	33.05	6	AP8221317	33.03	4	GU01722704	33.48	22
AP8152300	33.38	4	AP8221318	33.03	5	GU01722705	33.48	22
AP8152300	33.76	17	AP8224164	33.24	10	GU01731760	33.48	33
AP8152301	33.01	8	AP8224164	33.24	18	GU01929100	36.67	7
AP8152301	33.13	11	AP8224462	33.49	18	GU02107100	33.14	5
AP8152302	33.22	2	AP8224462	33.77	9	GU03013800	33.18	12
AP8152302	33.25	6	AP8258253	33.24	17	GU03013800	33.19	7
AP8152302	33.71	5	AP8706314	33.26	18	GU03013800	34.65	9
AP8152306	33.24	11	AP8706329	33.26	11	GU03163330	33.48	26
AP8152306	33.24	19	AP8706329	33.72	11	GU03270300	33.16	23
AP8152306	33.47	7	AP8706527	33.31	27	GU03270300	33.25	9
AP8152318	33.09	2	B043864	33.14	9	GU03469201	34.65	8
AP8152320	33.44	2	B0630111	34.69	12	GU03482070	33.28	2
AP8152329	33.15	3	B063012	34.69	12	GU03530510	33.08	17
AP8152329	33.24	4	B063025	34.59	11	GU03530524	33.08	8
AP8152329	33.37	9	B063858	33.50	1	GU03530525	33.08	7
AP8152329	33.43	10	B063859	33.50	3	GU03530526	33.08	6
AP8152329	33.49	4	GU00823923140	33.03	23	GU03530527	33.08	5
AP8152339	33.05	8	GU00823931080	33.20	18	GU03530528	33.08	4
AP8152339	33.16	18	GU00823950050	33.43	6	GU03530550	33.08	16
AP8152339	33.17	8	GU00823955080	33.35	8	GU03530551	33.08	9
AP8152339	33.20	2	GU01003651	34.52	24	GU03530553	33.08	14
AP8152339	33.21	4	GU01037030	34.53	10	GU03604845	33.33	3
AP8152339	33.23	4	GU01038060	34.53	13	GU03609600	33.31	17
AP8152339	33.24	5	GU01038160	34.53	14	GU03617710	33.40	12
AP8152339	33.25	3	GU01051730	34.55	8	GU03617710	33.42	2
AP8152339	33.29	11	GU01054001	34.55	5	GU03658201	33.07	15
AP8152384	33.07	10	GU01062030	34.54	16	GU03658330	33.76	3
AP8152385	33.41	7	GU01062031	34.54	16	GU03717450	33.48	14
AP8152396	33.13	16	GU01062032	34.54	16	GU03749845	33.32	6
AP8152397	33.13	9	GU01062033	34.54	16	GU03995730	33.51	19
AP8152398	33.13	2	GU01062230	34.54	14	GU04067000	34.54	19
AP8152409	33.04	2	GU01067930	34.54	22	GU04082800	34.58	5
AP8152410	33.10	3	GU01106090	33.39	2	GU04084100	34.58	1
AP8152482	33.13	15	GU01108490	33.39	4	GU04084100	34.58	1
AP8157631	33.27	12	GU01114390	34.66	14	GU04086100	34.58	10
AP8178918	33.03	3	GU01154230	33.34	2	GU05001231	34.52	14
AP8201124	33.14	2	GU01154230	33.35	15	GU05001630	34.52	21
AP8201301	33.43	17	GU01161331	33.34	3	GU05002130	33.17	14
AP8201358	33.35	16	GU01161331	33.35	14	GU05002130	34.52	40
AP8201808	33.24	16	GU01163500	34.57	5	GU05003630	34.52	26
AP8201808	33.45	11	GU01163600	34.57	8	GU05004930	34.52	34
AP8202238	33.45	10	GU01163700	34.57	7	GU05005730	34.57	4
AP8212702	33.47	5	GU01498430	33.31	31	GU05007230	34.52	18
AP8213113	33.45	9	GU01517700	33.07	17	GU05007330	34.52	36
AP8220150	33.29	3	GU01528930	33.11	13	GU05011830	34.52	42
AP8220162	33.05	14	GU01528930	33.11	8	GU05023430	34.53	37
AP8220162	33.17	5	GU01528930	34.52	33	GU05025330	34.54	23
AP8220263	33.15	8	GU01528930	34.59	9	GU05025331	34.53	17
AP8220283	33.49	19	GU01530501	33.08	12	GU05025930	34.53	39
AP8220283	33.77	10	GU01530503	33.08	24	GU05025932	33.71	14
AP8220526	33.05	15	GU01530509	33.08	27	GU05036030	34.53	6
AP8220546	33.49	17	GU01573960	33.29	17	GU05036131	34.53	5
AP8220546	33.77	12	GU01576530	33.05	3	GU05053331	34.55	3
AP8221023	33.34	13	GU01576531	33.48	35	GU05054532	34.55	9
AP8221023	33.37	11	GU01603480	33.31	12	GU05055230	34.55	20
AP8221023	33.48	6	GU01609630	33.31	17	GU05058030	34.55	16
AP8221036	33.47	3	GU01612190	33.40	11	GU05061530	34.54	13



Code	No. table	Pos.	Code	No. table	Pos.	Code	No. table	Pos.
GU05081830	34.63	5	GU05215031	34.62	10	GU05486630	33.72	17
GU05084430	34.58	3	GU05217630	34.58	12	GU05486830	33.72	9
GU05085730	34.58	6	GU05220531	34.62	11	GU05490230	33.08	1
GU05086330	34.58	13	GU05230531	34.60	18	GU05490630	33.08	2
GU05100230	33.14	1	GU05230831	34.60	21	GU05490730	33.08	3
GU0510023000YA1	33.14	1	GU05232431	34.60	19	GU05493130	33.07	1
GU0510023000YG1	33.14	1	GU05232631	34.60	20	GU05494030	33.07	2
GU05100230F2	33.14	1	GU05234130	34.60	11	GU05504530	33.08	13
GU05100230ND	33.14	1	GU05234230	34.60	12	GU05525430	33.08	18
GU05100231	33.14	1	GU05234431	34.60	1	GU05526630	33.08	20
GU05100235	33.14	1	GU05234631	34.60	2	GU05530530	33.08	15
GU0510023500YG1	33.14	1	GU05234731	34.60	10	GU05530531	33.08	19
GU05100235F2	33.14	1	GU05234931	34.60	13	GU05530532	33.08	22
GU05100235ND	33.14	1	GU05235531	34.60	3	GU05530533	33.08	23
GU05100236	33.14	1	GU05236231	34.60	7	GU05530534	33.08	28
GU05102930	33.14	16	GU05238131	34.60	15	GU05530535	33.08	10
GU05103830	33.37	5	GU05238231	34.60	8	GU05530536	33.08	25
GU05103930	33.14	8	GU05238331	34.60	14	GU05547030	33.09	6
GU05103930	33.50	2	GU05238431	34.60	9	GU05547130	33.09	5
GU05107230	33.39	1	GU05239330	34.60	17	GU05547930	33.09	8
GU05107430	33.39	3	GU05251130	33.06	1	GU05548030	33.09	3
GU05112530	34.66	1	GU05256930	33.06	13	GU05550230	33.13	1
GU05112830	34.66	2	GU05257830	33.06	12	GU05560330	33.13	3
GU05113530	33.37	6	GU05258230	33.06	10	GU05562030	33.13	7
GU05113730	33.37	3	GU05326330	33.10	6	GU05562430	33.13	14
GU05114031	33.37	1	GU05351230	33.11	2	GU05570230	33.23	2
GU05114130	33.37	8	GU05352430	33.12	2	GU0557023000YG1	33.23	2
GU05114430	34.66	6	GU05354230	33.12	1	GU05570230F2	33.23	2
GU05115030	34.66	3	GU05358030	33.11	6	GU05570230ND	33.23	2
GU05115031	34.66	8	GU05358130	33.11	5	GU05570231	33.23	2
GU05115730	34.66	4	GU05358230	33.11	7	GU05570430	33.23	5
GU05121630	33.38	10	GU05358330	33.11	1	GU0557043000YG1	33.23	5
GU05124230	33.38	14	GU05358530	33.11	15	GU05570430F2	33.23	5
GU05124330	33.38	26	GU05358630	33.11	16	GU05570430ND	33.23	5
GU05128230	33.38	18	GU05421430	33.01	2	GU05570431	33.23	5
GU05135830	34.66	18	GU05421530	33.01	3	GU05570530	33.21	1
GU05135930	33.36	4	GU05429630	33.03	9	GU05570630	33.21	2
GU05152230	34.57	3	GU05430330	33.03	1	GU05573230	33.25	1
GU05153430	33.35	1	GU05432930	33.03	6	GU0557323000YG1	33.25	1
GU05153630	34.56	10	GU05433430	33.03	7	GU05573230F2	33.25	1
GU05157430	33.35	2	GU05434330	33.22	1	GU05573230ND	33.25	1
GU05157630	33.35	10	GU0543433000YA1	33.22	1	GU05573230Y01	33.25	1
GU05159330	33.35	13	GU0543433000YG1	33.22	1	GU05573330	33.25	2
GU05159630	33.35	5	GU05434330F2	33.22	1	GU0557333000YG1	33.25	2
GU05161631	33.34	5	GU05434330ND	33.22	1	GU05573330F2	33.25	2
GU05162031	33.34	1	GU05434330Y01	33.22	1	GU05573330ND	33.25	2
GU05162331	33.34	4	GU05436530	33.45	11	GU05573330Y01	33.25	2
GU05164230	33.34	11	GU05438630	33.24	7	GU05573830	33.23	13
GU05204930	34.59	8	GU05438730	33.24	1	GU05573831	33.23	14
GU05206530	33.11	12	GU05446431	33.05	9	GU05600230	33.31	10
GU05210631	34.61	1	GU05446930	33.05	7	GU05600930	33.31	3
GU05210731	34.63	1	GU05447430	33.05	13	GU05604630	33.31	18
GU05211030	34.63	12	GU05464830	33.25	13	GU05606530	33.33	7
GU05211231	34.63	10	GU05466630	33.27	2	GU05606630	33.33	10
GU05211331	34.61	10	GU05466631	33.27	3	GU05611430	33.40	7
GU05211431	34.61	7	GU05466830	33.23	6	GU05613330	33.40	6
GU05211530	34.63	13	GU05466830	33.50	4	GU05613335	33.40	15
GU05211630	34.63	14	GU05467330	33.25	7	GU05614130	33.40	8
GU05212031	34.61	4	GU05468230	33.27	9	GU05615230	33.40	2
GU05212631	34.61	9	GU05479630	33.24	2	GU05632730	33.42	3
GU05213631	34.62	1	GU05485030	33.26	6	GU05635730	33.42	6
GU05214031	34.62	7	GU05485030	33.72	6	GU05638130	33.12	9
GU05214231	34.62	3	GU05485130	33.26	12	GU05652230	33.41	2
GU05214431	34.62	12	GU05485130	33.72	12	GU05652330	33.41	1
GU05214630	34.61	5	GU05486530	33.26	8	GU05653030	33.44	1
GU05214630	34.62	5	GU05486530	33.26	8	GU05654630	33.44	3
GU05214731	34.62	9	GU05486630	33.26	17	GU05659030	33.44	5



Code	No. table	Pos.	Code	No. table	Pos.	Code	No. table	Pos.
GU05659130	33.44	4	GU06704700	33.15	11	GU18144350	34.59	7
GU05659230	33.41	4	GU06917300	33.51	3	GU18941750	33.71	13
GU05660130	33.32	1	GU06917400	33.51	2	GU19002020	34.59	14
GU05661130	33.32	4	GU10032700	34.53	32	GU19149800	34.56	9
GU05663530	33.43	7	GU10034100	34.53	29	GU19207220	34.59	10
GU05666030	33.43	9	GU10907200	36.67	11	GU19927100	36.67	16
GU05666930	33.43	1	GU12003900	34.52	2	GU19929600	36.67	14
GU05677030	33.43	18	GU12006400	34.56	16	GU20164010	34.57	6
GU05677230	33.27	1	GU12011400	34.52	28	GU25656100	33.45	3
GU05680530	33.45	5	GU12011401	34.52	28	GU25656102	34.56	11
GU05680830	33.45	4	GU12011402	34.52	28	GU28157950	33.15	4
GU05680930	33.45	7	GU12011403	34.52	28	GU28576591	33.24	12
GU05681030	33.45	1	GU12011700	34.52	29	GU28742560	33.77	3
GU05681130	33.45	6	GU12012200	34.52	11	GU28742561	33.77	3
GU05681430	33.40	16	GU12018900	34.52	6	GU28742562	33.49	10
GU05681530	33.42	11	GU12022600	34.53	15	GU29108550	33.15	5
GU05683130	33.45	12	GU12031800	34.53	33	GU29217960	33.75	7
GU05683730	33.42	13	GU12082300	34.58	4	GU29722760	33.48	22
GU05701430	34.64	7	GU12087001	34.58	9	GU29729461	33.48	25
GU05702530	34.64	6	GU12154200	34.56	13	GU30003800	34.57	2
GU05704531	33.49	2	GU12211700	34.63	15	GU30027931	33.37	15
GU05704630	33.49	3	GU12911801	36.67	10	GU30058310	34.55	17
GU05712431	34.64	1	GU12912000	36.67	8	GU30059211	34.55	18
GU05716530	33.48	8	GU12913600	36.67	17	GU30061241	34.54	7
GU05716730	33.48	9	GU13037200	34.53	42	GU30082900	34.58	2
GU05717030	33.48	19	GU13084100	34.58	1	GU30103730	33.14	10
GU05717430	33.48	18	GU13148300	34.56	4	GU30103730	33.15	12
GU05718330	33.48	13	GU14011900	34.52	10	GU30109330	33.38	9
GU05718331	33.48	17	GU14011901	34.52	10	GU30147700	34.56	7
GU05729230	33.48	3	GU14018400	33.10	8	GU30150900	34.57	9
GU05730730	34.65	1	GU14018400	34.53	24	GU30153000	34.57	1
GU05733330	34.65	4	GU14030201	34.53	25	GU30158900	34.57	12
GU05735530	33.50	6	GU14030401	34.53	26	GU30217900	33.01	5
GU05740930	33.47	1	GU14037300	34.53	43	GU30217900	33.03	26
GU05743730	33.46	11	GU14072001	34.55	12	GU30530557	33.46	2
GU05747930	33.49	11	GU14085900	34.58	7	GU30530558	33.46	3
GU05751630	33.47	8	GU14085900	34.69	11	GU30609600	33.48	28
GU05751730	33.47	11	GU14086000	34.58	8	GU30609600	33.49	26
GU05780430	33.48	30	GU14086000	34.69	13	GU30611460	33.42	7
GU05780530	33.24	3	GU14217901	33.18	16	GU30707301	33.77	6
GU05781630	33.08	30	GU14217901	33.19	22	GU30714201	34.64	9
GU05782530	33.29	12	GU14217901	33.31	32	GU30717061	33.48	16
GU05782530	33.50	3	GU14217901	33.74	11	GU30729330	33.37	14
GU05901930	36.67	4	GU14217901	33.76	12	GU30906510	36.67	19
GU05902530	36.67	13	GU14217901	34.54	11	GU30912810	36.67	18
GU05902730	36.68	8	GU14234600	34.55	4	GU30944300	33.51	5
GU05902731	36.68	5	GU14433400	34.55	10	GU30970200	33.51	18
GU05902732	36.68	3	GU14609650	33.03	24	GU31003766	33.11	9
GU05902733	36.68	4	GU14609650	33.48	28	GU31003766	34.52	32
GU05902734	36.68	7	GU14609650	33.49	26	GU31003766	34.59	13
GU05902735	36.68	6	GU14615901	33.16	10	GU31159050	34.57	14
GU05902736	36.68	1	GU14615901	33.16	24	GU31576183	33.20	17
GU05902736	36.68	9	GU14615901	33.38	6	GU31576183	34.66	16
GU05909930	33.51	10	GU14615901	33.74	8	GU31768780	34.56	14
GU05911730	36.67	2	GU14615901	33.76	14	GU32023910	34.53	44
GU05912530	36.67	3	GU14615901	34.52	5	GU32116810	34.53	18
GU05917530	33.51	4	GU14616150	33.40	13	GU32441210	33.04	7
GU05923330	33.51	17	GU14616150	33.42	9	GU32442310	33.04	11
GU05926030	33.51	8	GU14717600	33.48	15	GU32442710	33.04	14
GU05927230	36.67	6	GU14912603	36.67	20	GU32443210	33.04	4
GU05928030	36.67	5	GU14927100	36.67	9	GU32443211	33.04	10
GU05944530	33.51	12	GU14927300	36.67	12	GU32461610	33.23	16
GU05944930	33.51	7	GU17034050	34.53	28	GU32461810	33.23	15
GU05945030	33.51	9	GU17045860	34.55	2	GU32461810	33.71	2
GU05948630	36.67	1	GU17661052	33.43	8	GU32727010	33.38	16
GU06211100	34.63	8	GU17947560	36.67	15	GU32743980	33.77	11
GU06215600	34.61	2	GU18144350	34.57	13	GU32944210	33.25	17

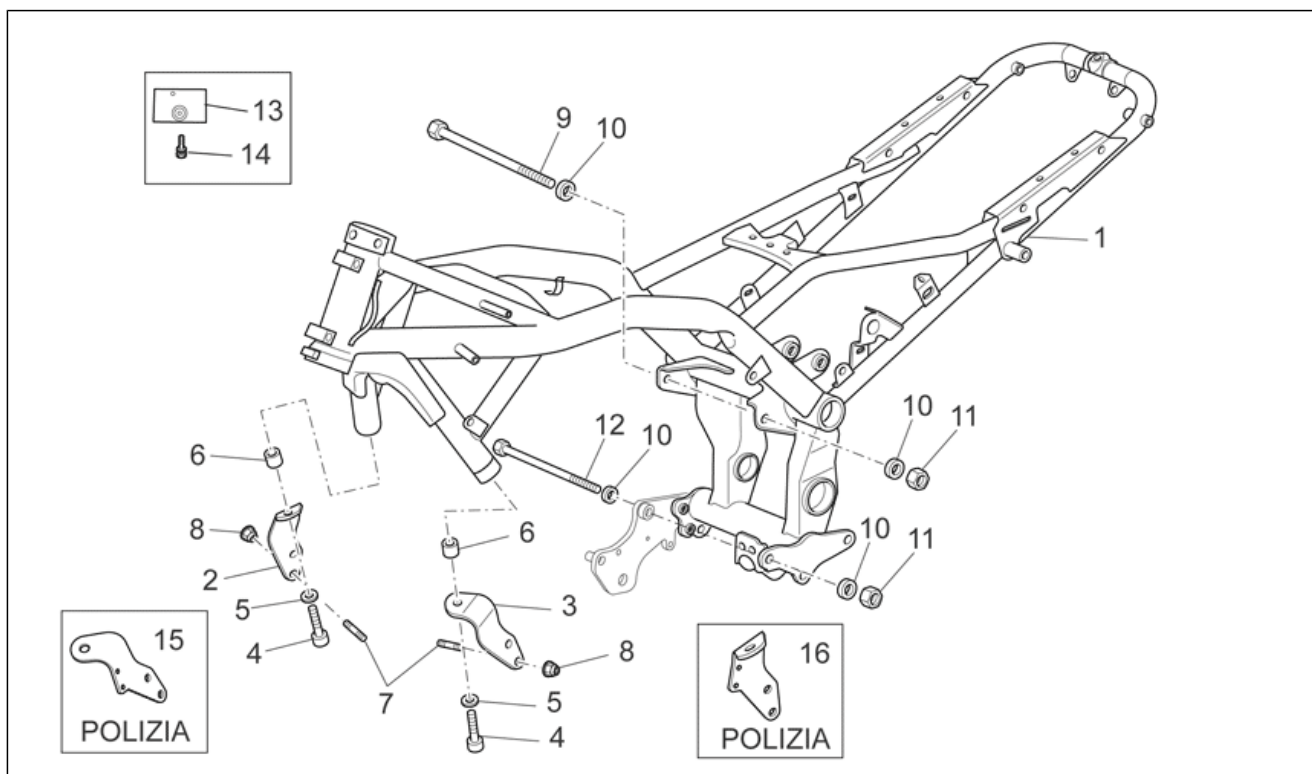


Code	No. table	Pos.	Code	No. table	Pos.	Code	No. table	Pos.
GU37037405	34.53	11	GU92249224	33.09	7	GU95028022	34.63	6
GU37037605	34.53	12	GU92252029	34.61	3	GU95100116	34.66	12
GU37045006	34.55	1	GU92252029	34.62	4	GU95100141	33.74	3
GU37065405	34.54	18	GU92602510	34.56	8	GU95100837	34.55	13
GU37067705	34.54	10	GU92602525	34.55	14	GU95120065	34.53	35
GU49609601	33.40	20	GU92603010	34.53	23	GU95120065	34.55	7
GU49609601	33.42	15	GU92605408	34.64	12	GU95129100	33.20	10
GU61270300	34.52	13	GU92606206	33.43	15	GU95129131	33.49	24
GU80438610	33.24	23	GU92606516	34.64	8	GU95129180	34.53	40
GU80596810	33.76	8	GU92609408	33.49	25	GU95129340	34.63	11
GU90118152	34.53	31	GU92630104	33.29	21	GU95510620	33.11	4
GU90271014	34.60	16	GU92630104	33.48	12	GU95512081	34.52	9
GU90271016	33.08	21	GU92630104	33.76	5	GU95960609	33.35	6
GU90271022	34.60	4	GU92630205	33.71	23	GU95963062	33.15	15
GU90271030	34.61	8	GU92630206	33.47	13	GU95980319	34.59	6
GU90271030	34.62	8	GU92630707	33.06	11	GU95990023	33.15	16
GU90271125	34.63	9	GU92640708	33.16	21	GU95990037	34.56	12
GU90271230	34.61	6	GU92650138	33.38	25	GU96508040	34.53	19
GU90271230	34.62	6	GU92650138	33.76	10	GU96508066	34.52	3
GU90272028	34.63	17	GU92660012	34.64	5	GU96508075	34.52	7
GU90273026	33.12	8	GU92660021	33.38	5	GU97202355	34.59	2
GU90274008	33.38	15	GU92660021	34.52	8	GU97202665	33.42	4
GU90351039	34.54	8	GU92750180	34.55	11	GU97260415	33.01	14
GU90353014	34.60	22	GU92787006	33.18	13	GU98082475	34.65	2
GU90353016	34.53	7	GU92787006	33.19	16	GU98084316	34.53	34
GU90401424	34.59	12	GU92787008	33.16	16	GU98084320	34.55	6
GU90401532	34.55	19	GU93180111	33.71	24	GU98084425	34.52	12
GU90403549	34.63	4	GU93180220	34.59	3	GU98110007	33.38	8
GU90404558	33.12	3	GU93180510	33.02	4	GU98210616	33.24	21
GU90405367	34.52	41	GU93180577	33.77	7	GU98230518	33.71	21
GU90408511	33.11	10	GU93242007	33.03	28	GU98230612	34.69	6
GU90412237	34.52	19	GU93304390	33.09	4	GU98230820	33.27	4
GU90412541	34.62	14	GU93305057	34.66	13	GU98230850	34.64	11
GU90706009	33.15	14	GU93305058	34.66	5	GU98231235	33.03	20
GU90706141	33.48	21	GU93305061	34.66	15	GU98250510	33.40	17
GU90706151	34.57	15	GU93306018	33.35	12	GU98250516	33.30	3
GU90706170	34.58	11	GU93450105	33.46	4	GU98250525	33.30	4
GU90706178	34.52	35	GU93450105	33.47	14	GU98250635	33.27	8
GU90706203	34.53	16	GU93450126	33.46	8	GU98257408	34.52	37
GU90706203	34.63	2	GU93450126	33.47	10	GU98257410	33.76	4
GU90706347	34.52	39	GU93601022	34.63	7	GU98257618	33.16	3
GU90706461	34.66	7	GU94321077	34.57	10	GU98257618	33.18	2
GU90718120	33.11	3	GU94322215	34.53	30	GU98325316	33.46	13
GU90718370	33.38	3	GU95005306	33.34	9	GU98350210	33.05	10
GU91111511	34.53	27	GU95005308	33.38	7	GU98350210	33.43	29
GU91112128	34.54	15	GU95005308	33.76	16	GU98350215	33.07	14
GU91120606	34.52	4	GU95005310	33.16	9	GU98350310	34.66	11
GU91120607	34.52	38	GU95005312	33.38	27	GU98350416	33.76	13
GU91120622	33.34	10	GU95005320	33.19	20	GU98350430	33.27	5
GU91120924	33.25	10	GU95005325	33.40	10	GU98370412	33.29	19
GU91180506	33.20	20	GU95008204	33.29	20	GU98370412	33.32	7
GU91180720	33.71	15	GU95008204	33.48	11	GU98370412	33.71	9
GU91180823	34.64	2	GU95008205	33.48	24	GU98370609	34.65	6
GU91181215	33.01	6	GU95008206	34.52	48	GU98370614	33.24	13
GU91551010	33.34	8	GU95008206	34.57	11	GU98370616	34.59	4
GU91600365	34.55	15	GU95008206	34.66	10	GU98370625	33.23	9
GU92201025	34.60	6	GU95008208	33.14	4	GU98370630	33.18	9
GU92201117	34.60	5	GU95008208	34.65	3	GU98370630	33.19	13
GU92201226	34.62	13	GU95008210	33.48	27	GU98370850	33.76	15
GU92201226	34.63	3	GU95008213	33.06	8	GU98612216	33.03	13
GU92201226	34.70	2	GU95008305	33.75	6	GU98612325	33.31	24
GU92201822	34.61	11	GU95008308	33.21	8	GU98620445	34.64	3
GU92201822	34.62	2	GU95008310	33.43	26	GU98620560	34.64	4
GU92204230	33.12	5	GU95008313	33.01	10	GU98680340	33.08	29
GU92208518	33.12	4	GU95008313	33.03	25	GU98680340	33.34	12
GU92232028	34.63	16	GU95020105	33.03	14	GU98680340	34.52	47
GU92232028	34.70	5	GU95021104	33.32	8	GU98680360	33.19	21



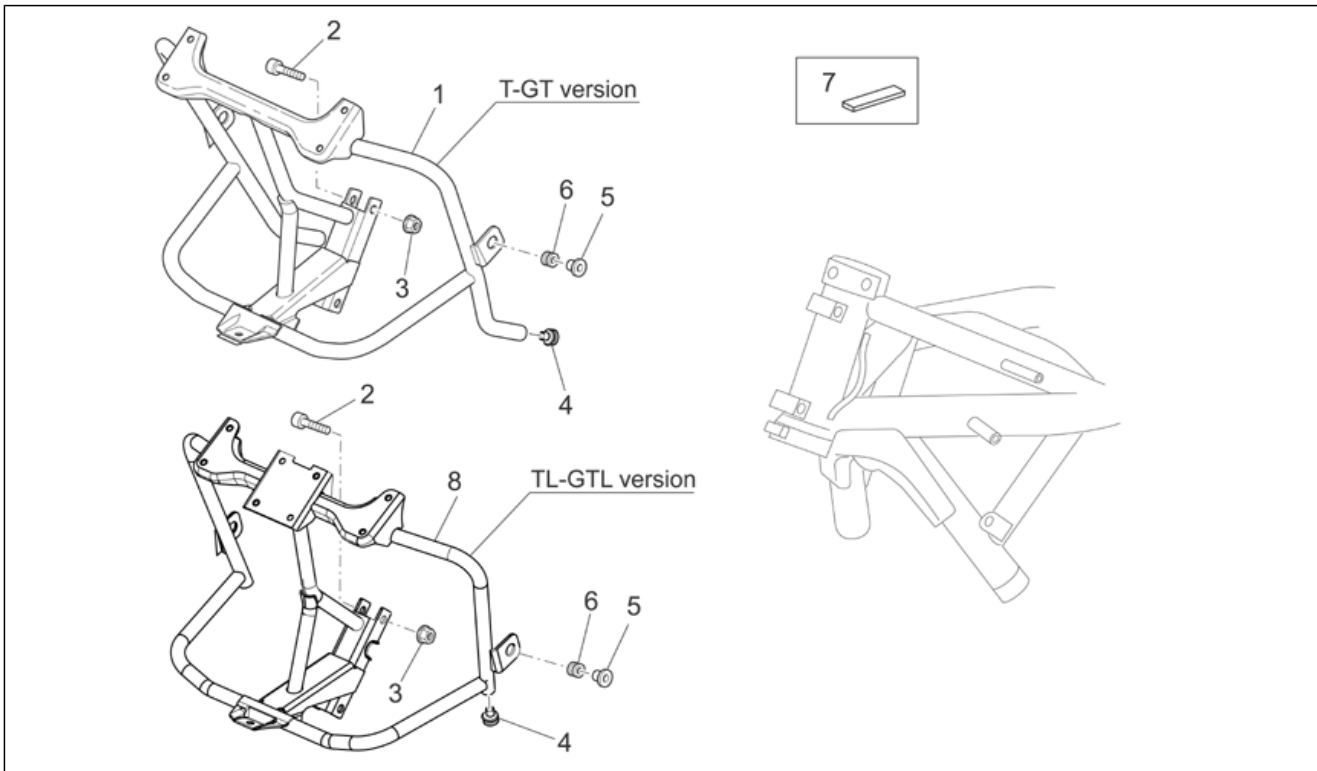
Code	No. table	Pos.
GU98680360	33.31	8
GU98680360	34.52	31
GU98680370	33.31	28
GU98680440	33.02	2
GU98680440	33.05	5
GU98680445	33.38	21
GU98680450	33.11	11
GU98680480	33.76	9
GU98682125	33.48	10
GU98682212	33.48	23
GU98682212	33.48	34
GU98682215	33.25	5
GU98682310	33.19	6
GU98682310	33.74	10
GU98682316	33.06	4
GU98682316	33.43	21
GU98682316	34.52	22
GU98682316	34.57	16
GU98682320	33.06	6
GU98682320	33.06	9
GU98682320	34.52	20
GU98682325	33.09	9
GU98682325	33.34	7
GU98682325	34.66	9
GU98682330	34.52	17
GU98682330	34.52	23
GU98682330	34.56	5
GU98682414	33.14	3
GU98682425	33.07	12
GU98682425	33.25	12
GU98682425	33.38	29
GU98682430	33.07	11
GU98682430	33.29	13
GU98682530	33.03	8
GU98682535	33.08	11
GU98682650	33.01	4
GU98692216	33.16	19
GU98692318	33.47	12
GU98692425	33.05	4
GU98692425	33.31	2
GU98692430	33.05	2
GU98692430	33.31	4
GU99210406	33.11	14

<b>Group</b>	FRAME
<b>Code</b>	33.01
<b>Description</b>	Frame I
<b>Service</b>	1



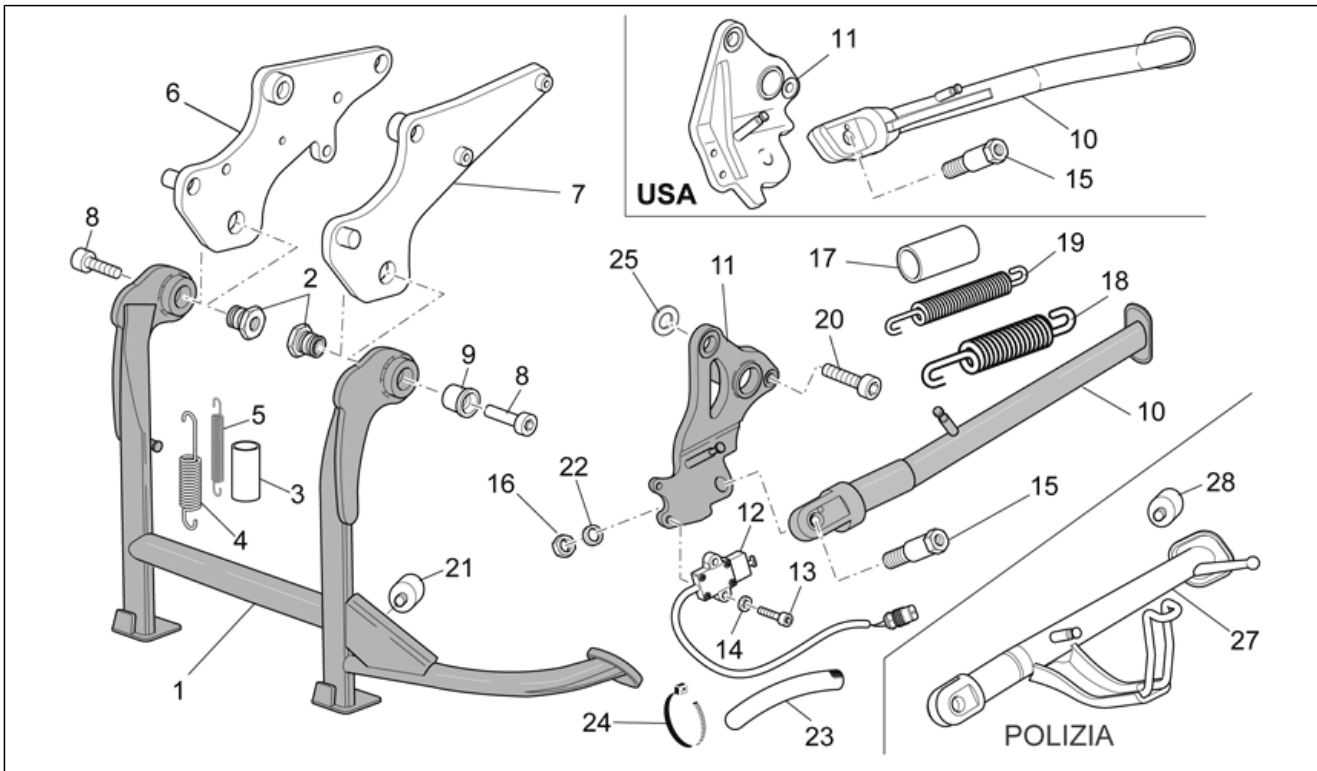
Pos.	Code	Description	Qty	Variants
1	977700	Frame	1	<b>Technical Specifications:</b> Versione "GT"[GT], Versione "GTL"[GTL], Versione "T"[T], Versione "TL"[TL]
1	977974	Frame	1	<b>Technical Specifications:</b> State police version[P.S.]
2	GU05421430	RH plate	1	<b>Technical Specifications:</b> Versione "GT"[GT], Versione "GTL"[GTL], Versione "T"[T], Versione "TL"[TL]
3	GU05421530	LH plate	1	<b>Technical Specifications:</b> Versione "GT"[GT], Versione "GTL"[GTL], Versione "T"[T], Versione "TL"[TL]
4	GU98682650	Hex socket screw M12x50	2	
5	GU30217900	Washer 13x18x1,7	2	
6	GU91181215	Spacer 12x35x14	2	
7	977809	Stud bolt M10x38	4	
8	AP8152301	Self-locking nut	4	
9	AP8221307	Pin M12	1	
10	GU95008313	Washer 13x24x2,5	4	
11	AP8150432	Low self-locking nut M12*	2	
12	AP8221227	Pin M12x270	1	
13	977788	Support plate	1	
14	GU97260415	Special screw M8x15	1	
15	977929	RH plate	1	<b>Technical Specifications:</b> State police version[P.S.]
16	977928	LH plate	1	<b>Technical Specifications:</b> State police version[P.S.]

<b>Group</b>	FRAME
<b>Code</b>	33.02
<b>Description</b>	Frame II
<b>Service</b>	1



Pos.	Code	Description	Qty	Variants
1	977586	Front frame	1	<b>Technical Specifications:</b> Versione "GT"[GT], Versione "T"[T]
2	GU98680440	Hex socket screw M8x40	2	
3	AP8152300	Self-locking nut M8	4	
4	GU93180510	Cover	2	
5	AP8221128	T bush 8,5x10,7x12	2	
6	AP8120030	Rubber spacer	2	
7	AP8144538	Gasket	1	
8	977602	Front frame	1	<b>Technical Specifications:</b> Versione "GTL"[GTL], Versione "TL"[TL]

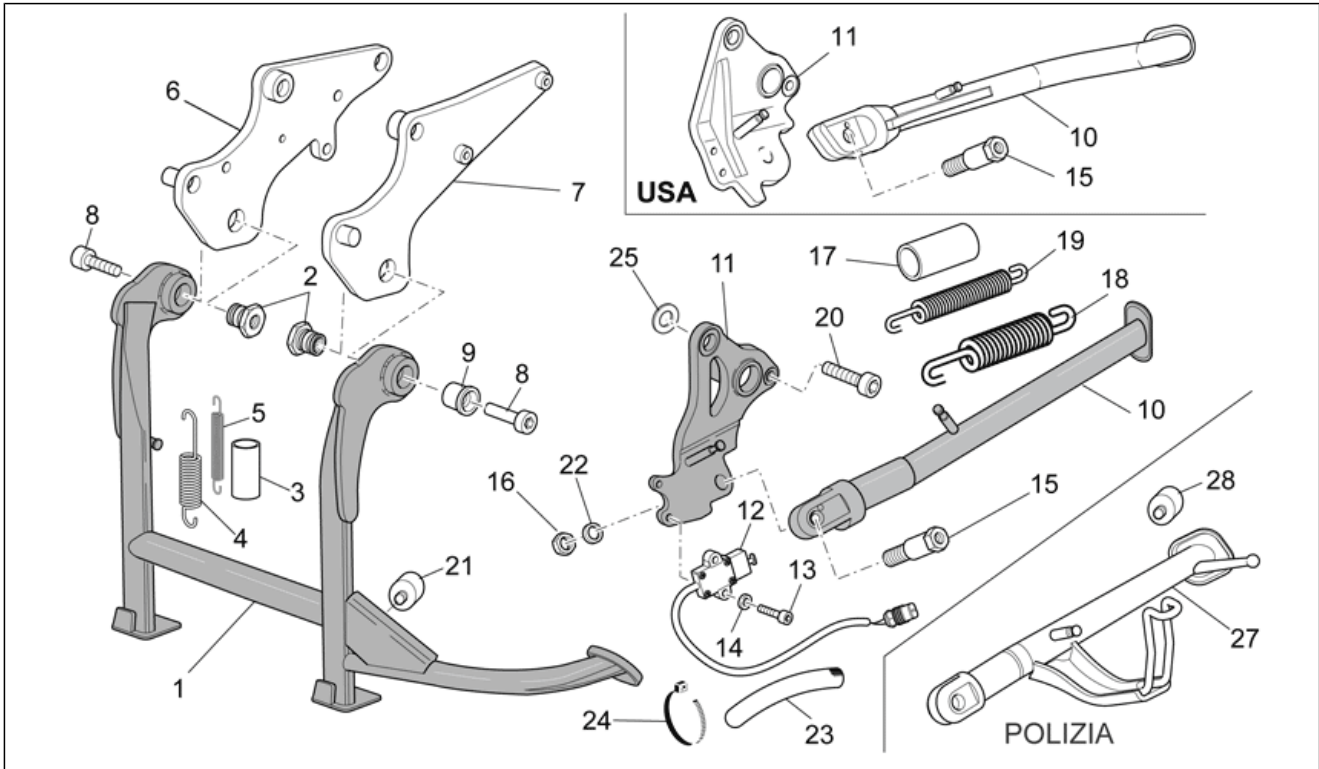
<b>Group</b>	FRAME
<b>Code</b>	33.03
<b>Description</b>	Stands
<b>Service</b>	1



Pos.	Code	Description	Qty	Variants
1	GU05430330	Central stand	1	
2	AP8121467	Maintenance	2	
3	AP8178918	Stand spring protection	1	
4	AP8221317	Lateral stand spring	1	
5	AP8221318	Internal lateral stand spring	1	
6	GU05432930	RH plate	1	
7	GU05433430	LH plate	1	
8	GU98682530	Hex socket screw M10x30	2	
9	GU05429630	Bush	2	
10	977079	Lateral stand	1	<b>Country:</b> Australia[AUS], Other country[EU], Japan[J], Great Britain[UK] <b>Technical Specifications:</b> Versione "GT"[GT], Versione "GTL"[GTL], Versione "T"[T], Versione "TL"[TL]
10	977093	Lateral stand	1	<b>Country:</b> United States of America[USA]
11	977080	Stand plate	1	<b>Country:</b> Australia[AUS], Other country[EU], Japan[J], Great Britain[UK]
11	977408	Stand plate	1	<b>Country:</b> United States of America[USA]
12	639542	Button for the side stand	1	
13	GU98612216	Hex socket screw	2	
14	GU95020105	Washer 5,3x8,9x2,4	2	
15	AP8121607	Central stand fixing screw	1	<b>Country:</b> United States of America[USA]
15	AP8121994	Central stand fixing screw	1	<b>Country:</b> Australia[AUS], Other country[EU], Japan[J], Great Britain[UK]
16	AP8152001	Low nut M10x1,25	1	
17	AP8102524	Stand spring protection	1	
18	AP8221204	Lateral stand spring	1	
19	AP8221211	Internal lateral stand spring	1	
20	GU98231235	Hex socket screw M12x35	2	
21	AP8144030	Stand end stop	1	

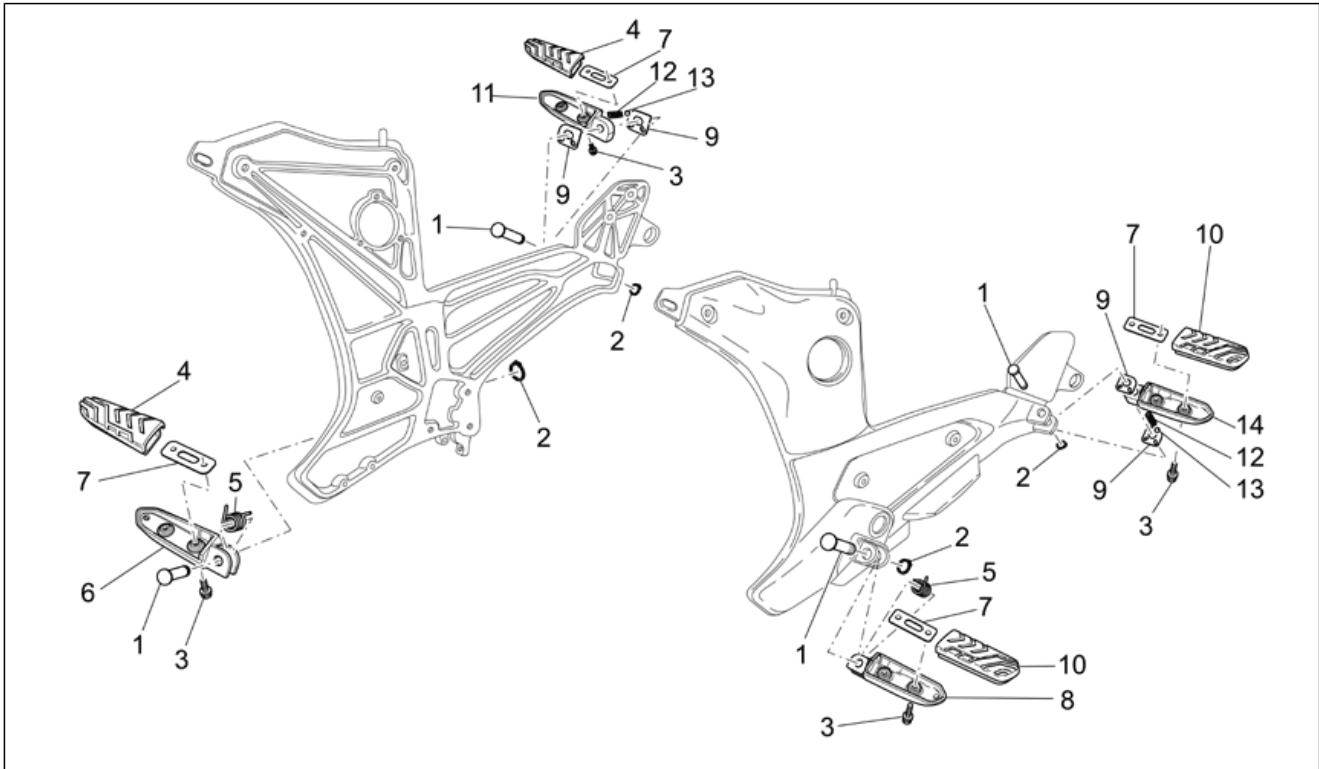


<b>Group</b>	FRAME
<b>Code</b>	33.03
<b>Description</b>	Stands
<b>Service</b>	1



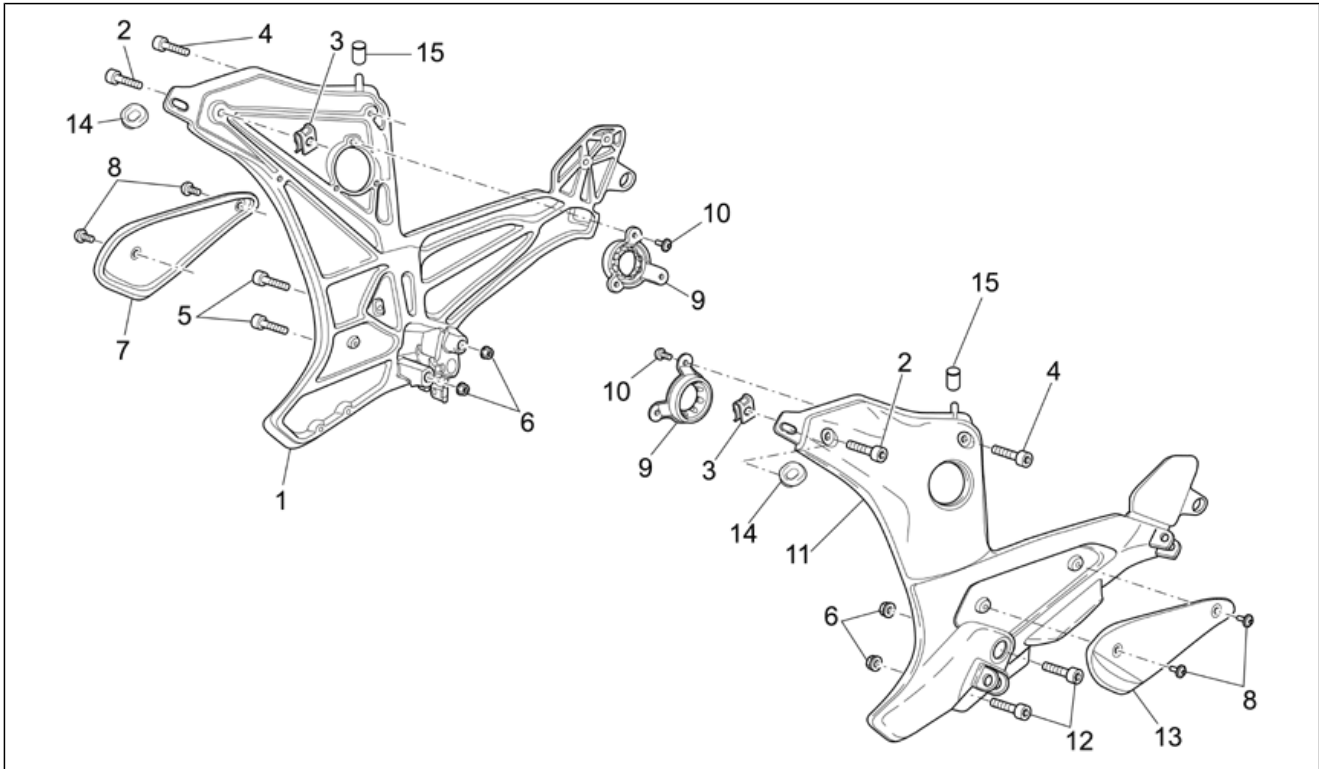
Pos.	Code	Description	Qty	Variants
22	AP8150292	Curved spring washer *	1	
23	GU00823923140	Thermal sheath	1	
24	GU14609650	Hose clamp 3,6x20,6	2	
25	GU95008313	Washer 13x24x2,5	2	
26	GU30217900	Washer 13x18x1,7	2	
27	883390	Lateral stand	1	<b>Technical Specifications:</b> State police version[P.S.]
28	GU93242007	Pad	1	<b>Technical Specifications:</b> State police version[P.S.]

<b>Group</b>	FRAME
<b>Code</b>	33.04
<b>Description</b>	Foot rests I
<b>Service</b>	1



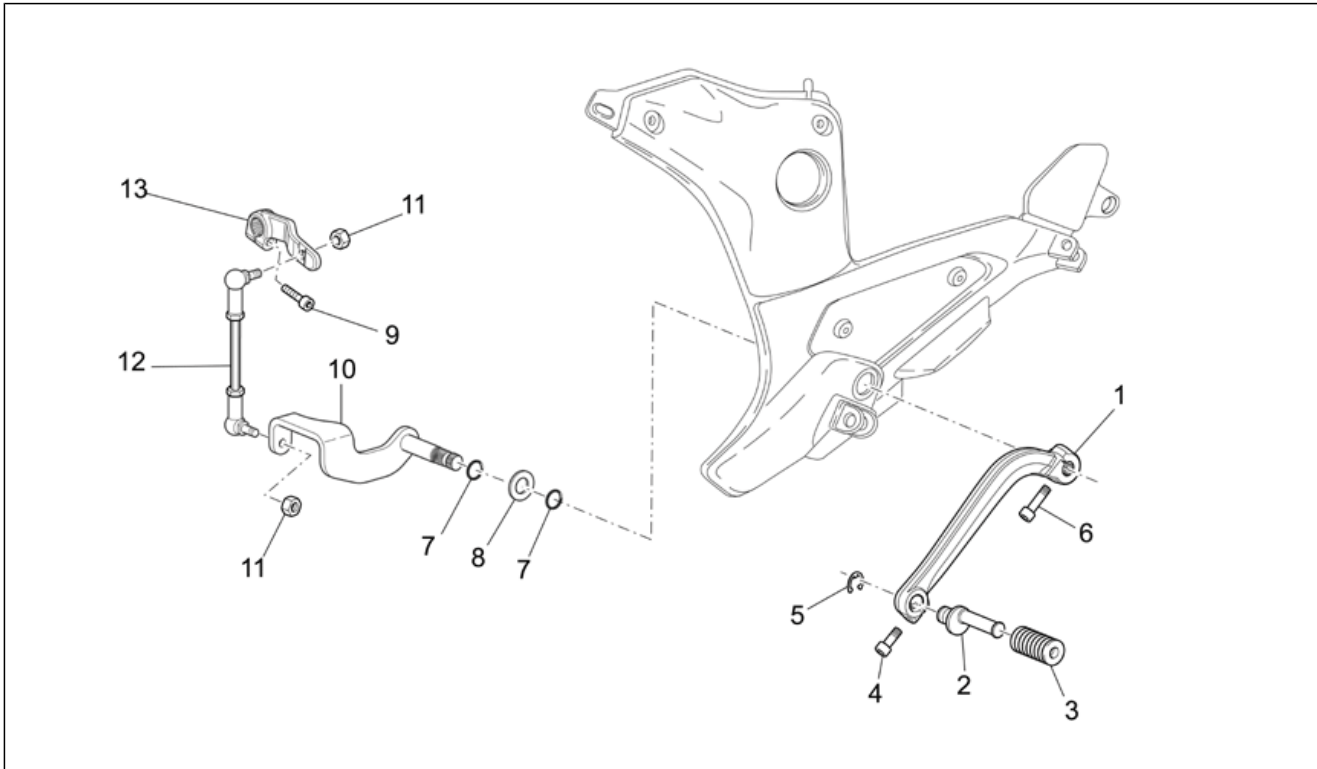
Pos.	Code	Description	Qty	Variants
1	AP8121567	Pin	4	
2	AP8152409	Stop ring	4	
3	AP8152277	Screw w/ flange M6x12	8	
4	GU32443210	Support rubber part	2	
5	AP8221277	Footrest return spring	2	
6	AP8145034	RH Foot rests	1	
7	GU32441210	Plate	4	
8	AP8145035	LH Foot rests	1	
9	AP8134451	Footrest plate	4	
10	GU32443211	Support rubber part	2	
11	GU32442310	Rear footrest, RH	1	
12	AP8121133	Coil compress. spring	2	
13	AP8101861	Ball D6,35	2	
14	GU32442710	Rear footrest, LH	1	

<b>Group</b>	FRAME
<b>Code</b>	33.05
<b>Description</b>	Foot rests II
<b>Service</b>	1



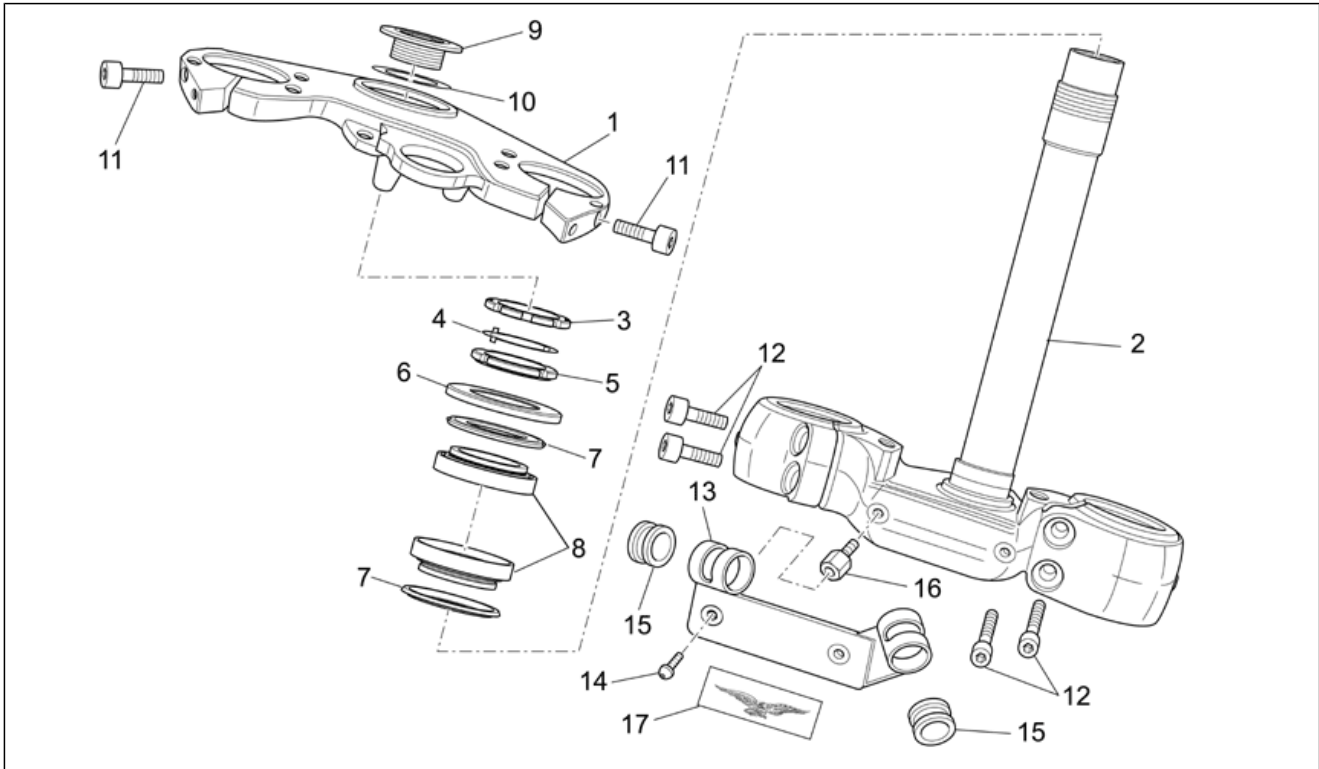
Pos.	Code	Description	Qty	Variants
1	977683	RH plate	1	
2	GU98692430	Hex socket screw M8x30	2	
3	GU01576530	Nut with clip M8x1,25	2	
4	GU98692425	Hex socket screw M8x25	2	
5	GU98680440	Hex socket screw M8x40	2	
6	AP8152300	Self-locking nut M8	4	
7	GU05446930	RH protection	1	
8	AP8152339	Screw w/ flange M5x9	4	
9	GU05446431	Ring	2	
10	GU98350210	Hex socket screw	6	
11	977684	LH plate	1	
12	AP8150046	Hex socket screw M8x55	2	
13	GU05447430	LH protection	1	
14	AP8220162	Rubber spacer	4	
15	AP8220526	Rubber spacer	2	

<b>Group</b>	FRAME
<b>Code</b>	33.06
<b>Description</b>	Gear lever
<b>Service</b>	1



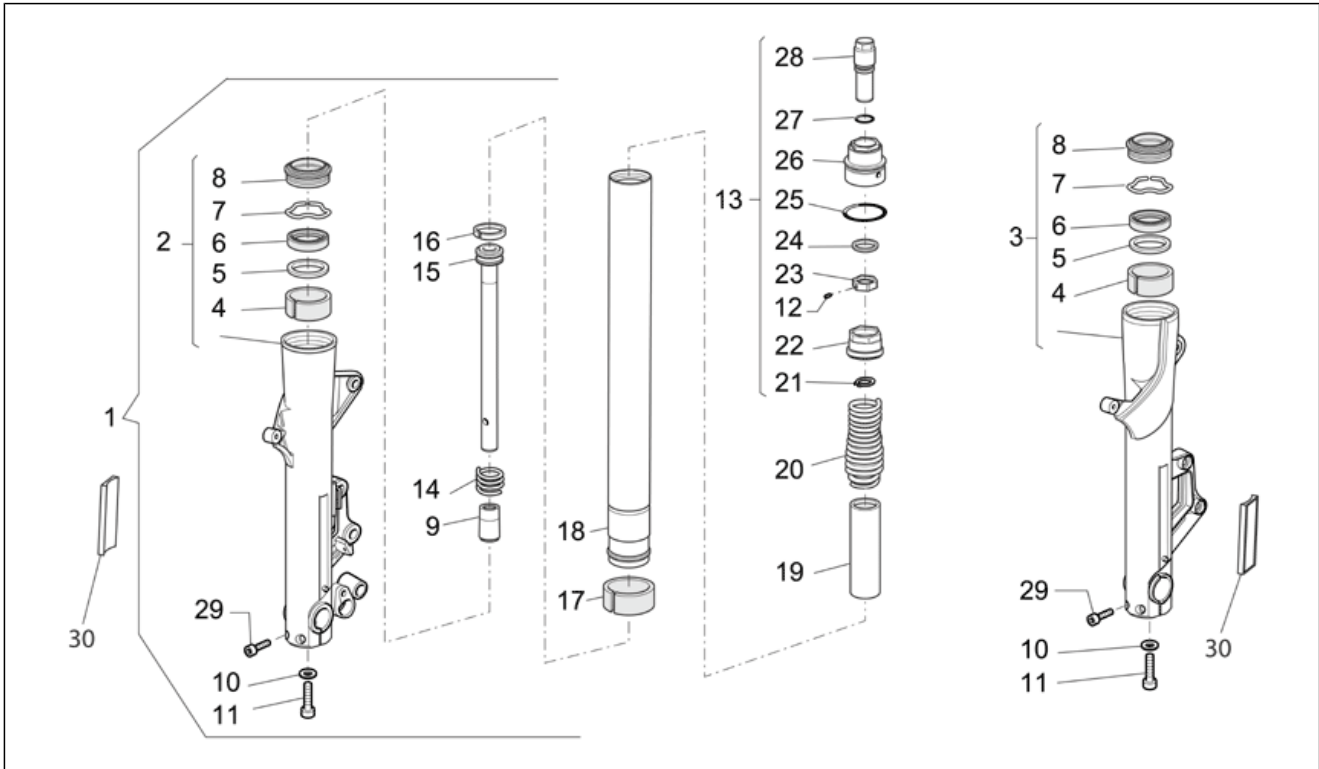
Pos.	Code	Description	Qty	Variants
1	GU05251130	Gear lever	1	
2	AP8121221	Brake lever pin	1	
3	AP8120912	Lever rubber	1	
4	GU98682316	Hex socket screw M6x16	1	
5	AP8150462	Circlip d9	1	
6	GU98682320	Hex socket screw M6x20	1	
7	AP8144007	O-ring 11,11x1,78	2	
8	GU95008213	Washer 12,2X20X2	1	
9	GU98682320	Hex socket screw M6x20	1	
10	GU05258230	Lever	1	
11	GU92630707	Nut	2	
12	GU05257830	Change gear tie rod compl.	1	
13	GU05256930	Lever	1	

<b>Group</b>	FRAME
<b>Code</b>	33.07
<b>Description</b>	Steering
<b>Service</b>	1



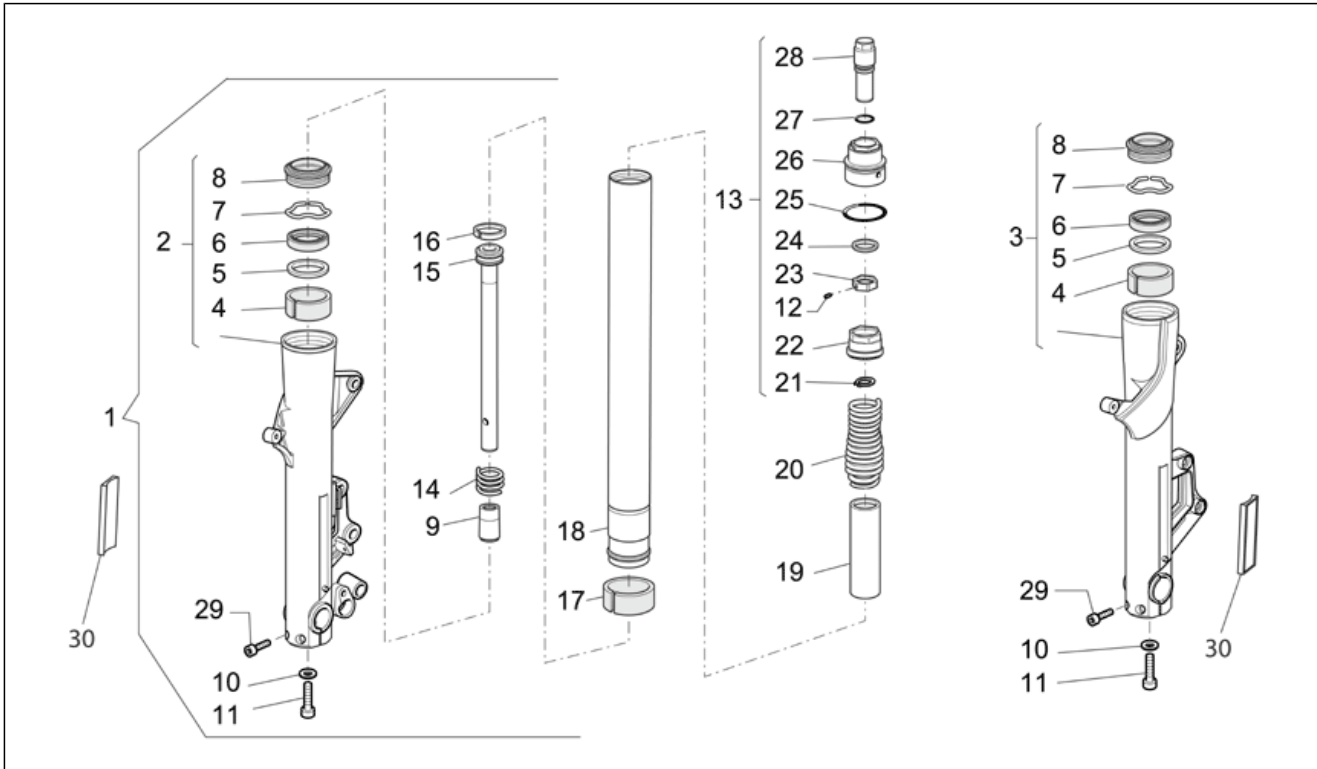
Pos.	Code	Description	Qty	Variants
1	GU05493130	Fork upper plate	1	
2	GU05494030	Stem base	1	
3	AP8123643	Return ring nut	1	
4	AP8121207	Steering security plate	1	
5	AP8123642	Ring nut	1	
6	AP8123644	Dust cover ring	1	
7	AP8123641	Dust cover ring	2	
8	AP8110077	Axial ball bearing	2	
9	AP8121205	Upper plate fixing bush	1	
10	AP8152384	Stem plug washer	1	
11	GU98682430	Hex socket screw M8x30	2	
12	GU98682425	Hex socket screw M8x25	4	
13	977693	Brake hose fixing plate	1	
14	GU98350215	Hex socket screw	2	
15	GU03658201	Ring	2	
16	977618	Special screw	2	
17	GU01517700	Decal "Aquila"	1	

<b>Group</b>	FRAME
<b>Code</b>	33.08
<b>Description</b>	Front fork
<b>Service</b>	1



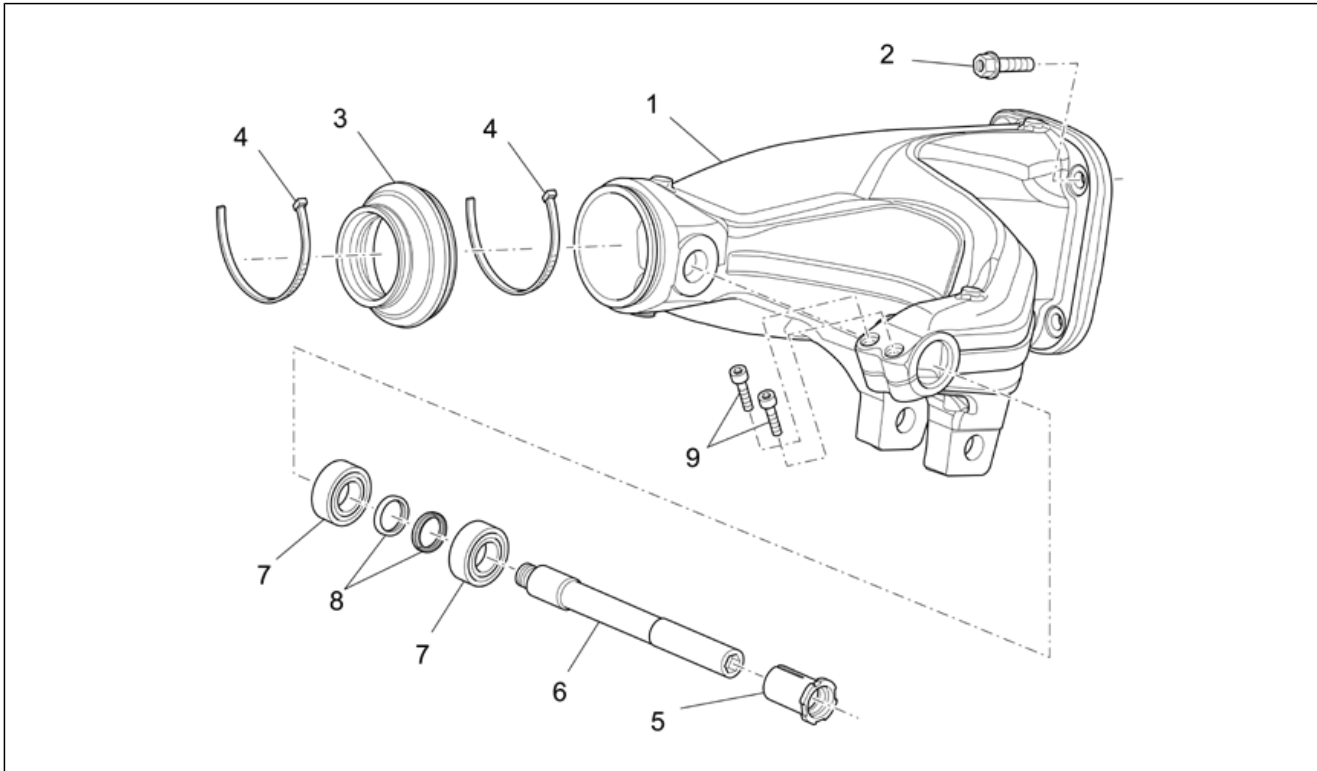
Pos.	Code	Description	Qty	Variants
1	883133	Front fork "Marzocchi"	1	<b>Technical Specifications:</b> 2nd Serie[2A], Versione "GT"[GT], Versione "GTL"[GTL], Versione "T"[T], Versione "TL"[TL]
1	883133	Front fork "Marzocchi"	1	<b>Technical Specifications:</b> State police version[P.S.]
1	GU05490230	Front fork "Marzocchi"	1	<b>Technical Specifications:</b> 1st Serie[1A], Versione "GT"[GT], Versione "GTL"[GTL], Versione "T"[T], Versione "TL"[TL]
2	GU05490630	RH sleeve	1	
3	GU05490730	LH sleeve	1	
4	GU03530528	Upper bush	2	
5	GU03530527	Cup	2	
6	GU03530526	Gasket ring	2	
7	GU03530525	Stop ring	2	
8	GU03530524	Dust cover	2	
9	GU03530551	Pad	2	
10	GU05530535	Washer 14x10,5x1,5	2	
11	GU98682535	Hex socket screw M10x35	2	
12	GU01530501	Dowel	2	
13	GU05504530	Plug cpl.	2	
14	GU03530553	Return spring	2	
15	981084	Plunger, complete	2	<b>Technical Specifications:</b> State police version[P.S.]
15	981084	Plunger, complete	2	<b>Technical Specifications:</b> 2nd Serie[2A], Versione "GT"[GT], Versione "GTL"[GTL], Versione "T"[T], Versione "TL"[TL]
15	GU05530530	Plunger, complete	2	<b>Technical Specifications:</b> 1st Serie[1A], Versione "GT"[GT], Versione "GTL"[GTL], Versione "T"[T], Versione "TL"[TL]
16	GU03530550	Ring	2	
17	GU03530510	Lower bush	2	
18	GU05525430	Sleeve	2	
19	981086	Preload tube	2	<b>Technical Specifications:</b> State police version[P.S.]
19	981086	Preload tube	2	<b>Technical Specifications:</b> 2nd Serie[2A], Versione "GT"[GT], Versione "GTL"[GTL], Versione "T"[T], Versione "TL"[TL]

<b>Group</b>	FRAME
<b>Code</b>	33.08
<b>Description</b>	Front fork
<b>Service</b>	1



Pos.	Code	Description	Qty	Variants
19	GU05530531	Preload tube	2	<b>Technical Specifications:</b> 1st Serie[1A], Versione "GT"[GT], Versione "GTL"[GTL], Versione "T"[T], Versione "TL"[TL]
20	981085	Spring	2	<b>Technical Specifications:</b> State police version[P.S.]
20	981085	Spring	2	<b>Technical Specifications:</b> 2nd Serie[2A], Versione "GT"[GT], Versione "GTL"[GTL], Versione "T"[T], Versione "TL"[TL]
20	GU05526630	Spring	2	<b>Technical Specifications:</b> 1st Serie[1A], Versione "GT"[GT], Versione "GTL"[GTL], Versione "T"[T], Versione "TL"[TL]
21	GU90271016	Stop ring	2	
22	GU05530532	Bush	2	
23	GU05530533	Nut	2	
24	GU01530503	Fifth wheel	2	
25	GU05530536	O-ring	2	
26	00000000	Body	2	
27	GU01530509	O-ring	2	
28	GU05530534	Adjusting pin	2	
29	GU98680340	Hex socket screw M6x40	4	
30	GU05781630	Reflector, amber	2	<b>Country:</b> United States of America[USA]

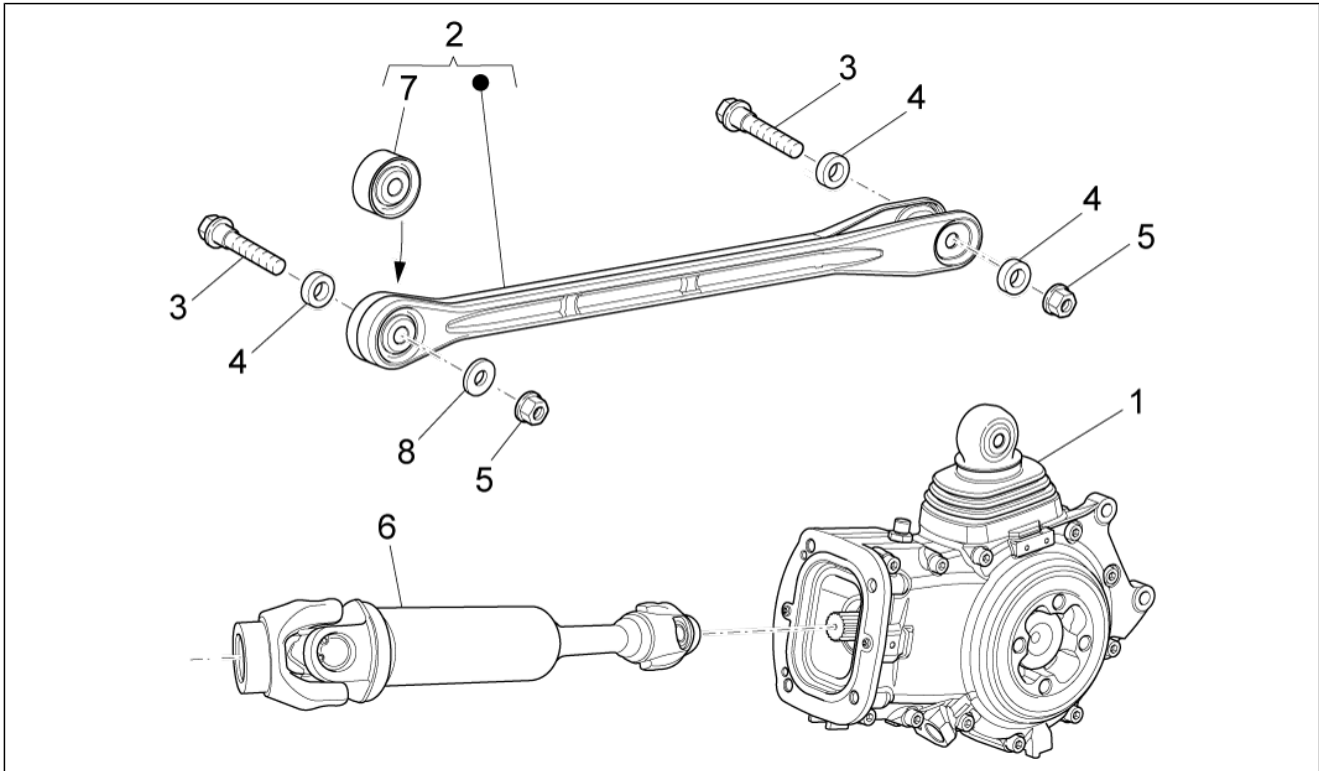
<b>Group</b>	FRAME
<b>Code</b>	33.09
<b>Description</b>	Swing arm
<b>Service</b>	1



Pos.	Code	Description	Qty	Variants
1	977261	Swingarm	1	
2	AP8152318	Screw w/ flange M10x35	4	
3	GU05548030	Rubber bellows	1	
4	GU93304390	Hose clamp 3,6x375	2	
5	GU05547130	Bush	1	
6	GU05547030	Pin	1	
7	GU92249224	Roller bearing 25x47x17	2	
8	GU05547930	Gasket ring	2	
9	GU98682325	Hex socket screw M6x25	2	

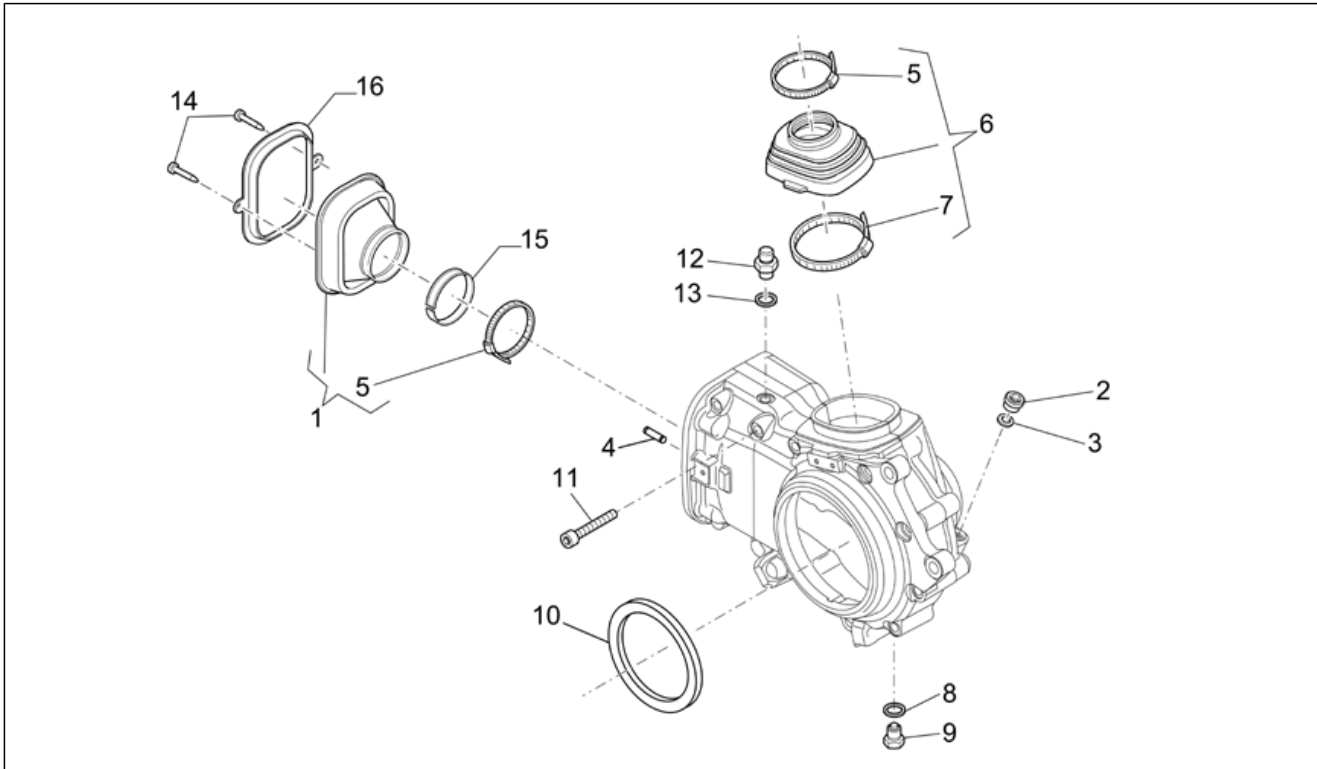


<b>Group</b>	FRAME
<b>Code</b>	33.10
<b>Description</b>	Transmission complete
<b>Service</b>	1



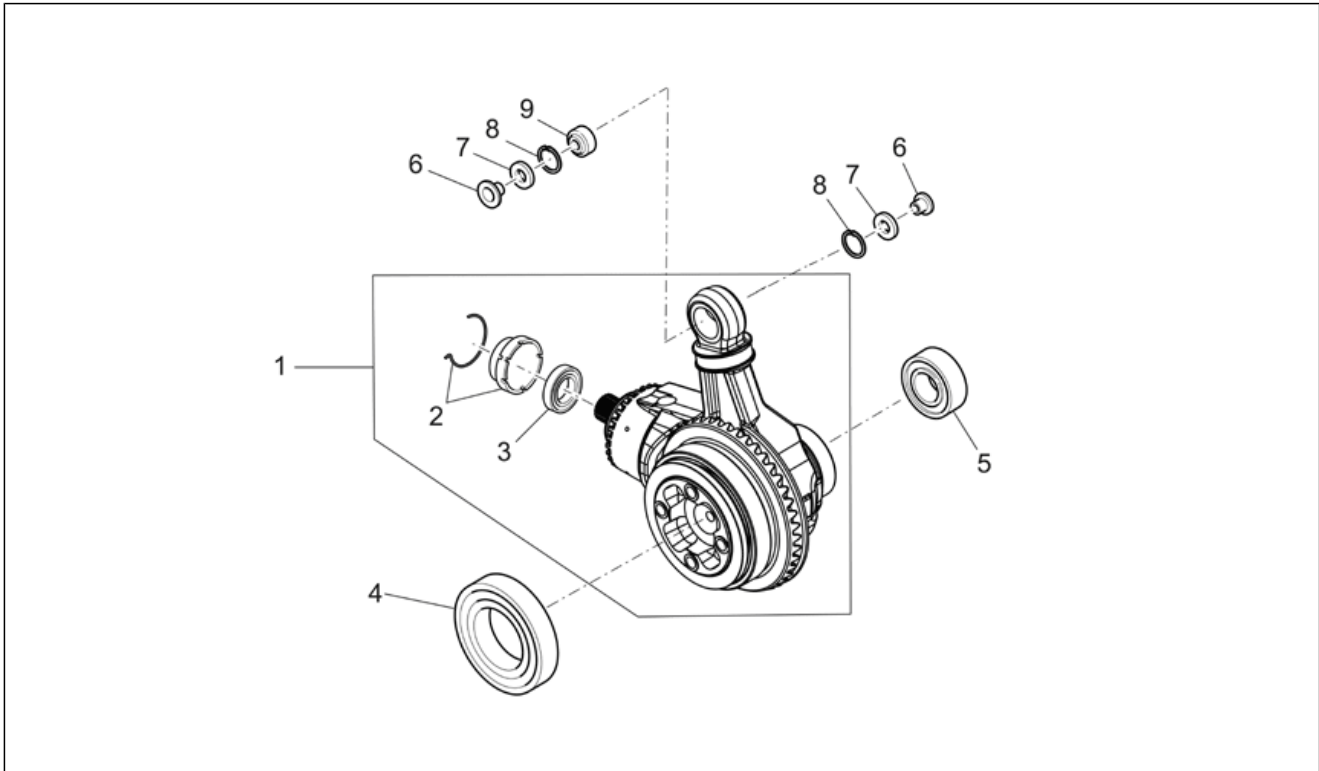
Pos.	Code	Description	Qty	Variants
1	976126	Transmission assygrey	1	
2	977262	Reaction rod assy.	1	
3	AP8152410	Screw w/ flange M10x55	2	
4	AP8121218	Spacer 10,2x20x4	3	
5	AP8152242	Nut	2	
6	GU05326330	Drive shaft	1	
7	883045	Silent-block	1	
8	GU14018400	Washer 10,5X21X1	1	

<b>Group</b>	FRAME
<b>Code</b>	33.11
<b>Description</b>	Trans.cpl.-Cage
<b>Service</b>	1



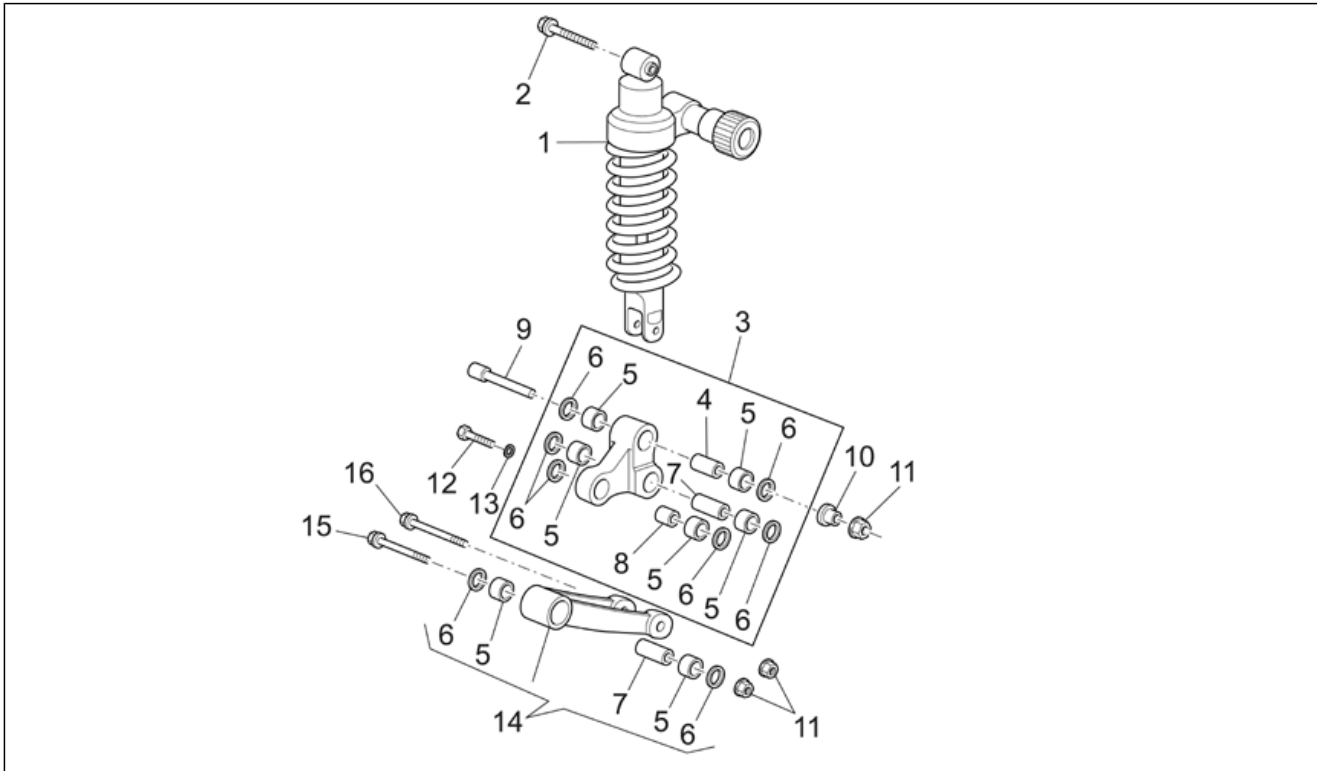
Pos.	Code	Description	Qty	Variants
1	GU05358330	Upper dust cover	1	
2	GU05351230	Oil plug M12x1,5	1	
3	GU90718120	Washer	1	
4	GU95510620	Pin 6x20	2	
5	GU05358130	Hose clamp	2	
6	GU05358030	Upper dust cover	1	
7	GU05358230	Hose clamp	1	
8	GU01528930	Gasket 10x18x1,5	1	
9	GU31003766	Oil unload plug M10x1	1	
10	GU90408511	Gasket ring 85x110x8BASL	1	
11	GU98680450	Hex socket screw M8x50	11	
12	GU05206530	Breather plug	1	
13	GU01528930	Gasket 10x18x1,5	1	
14	GU99210406	screw M3,9x6,5	2	
15	GU05358530	Ring	1	
16	GU05358630	Gasket	1	

<b>Group</b>	FRAME
<b>Code</b>	33.12
<b>Description</b>	Trans.cpl.-Bevel gear
<b>Service</b>	1



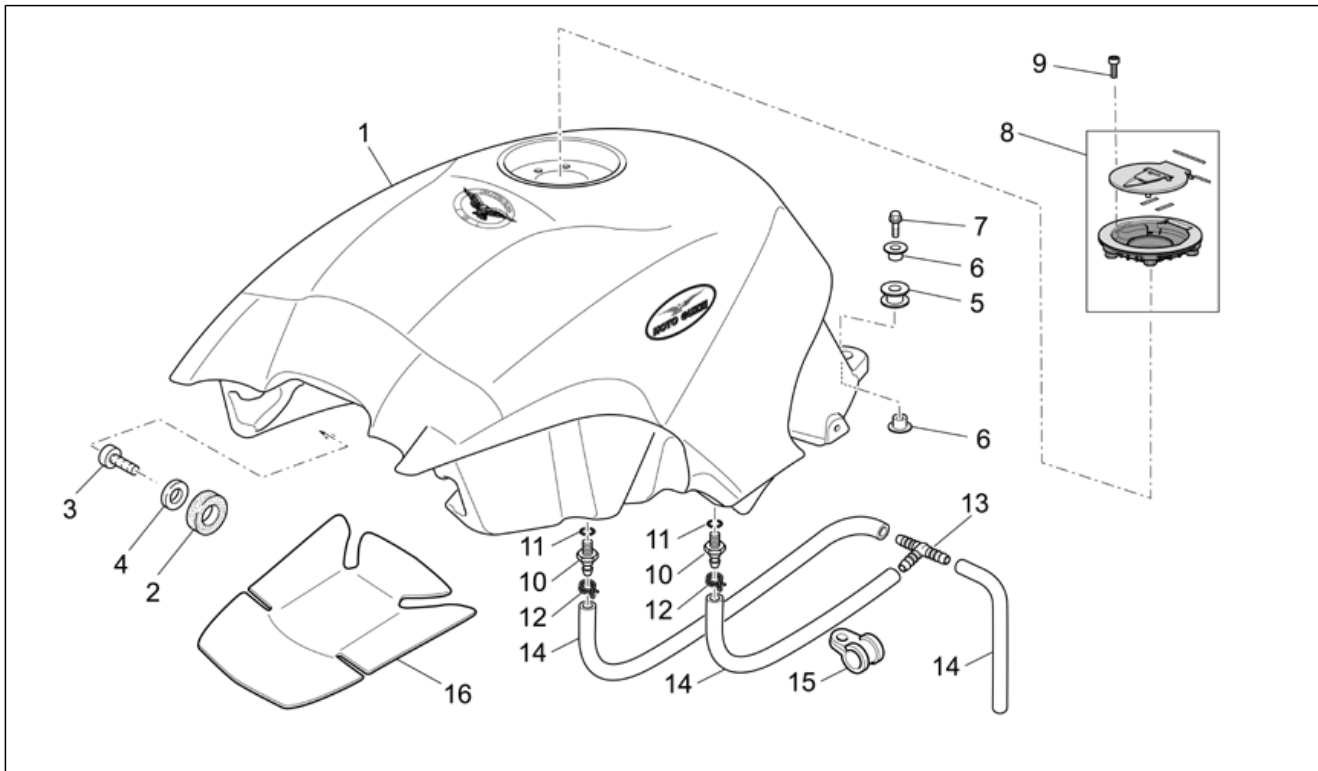
Pos.	Code	Description	Qty	Variants
1	GU05354230	Bevel gear kit 12/44	1	
2	GU05352430	Ring nut	1	
3	GU90404558	Gasket ring 45x58x7	1	
4	GU92208518	Ball bearing 85x120x18	1	
5	GU92204230	Ball bearing 30x62x16	1	
6	AP8121098	Bush	2	
7	AP8120485	Gasket ring	2	
8	GU90273026	Circlip	2	
9	GU05638130	Ball joint	1	

<b>Group</b>	FRAME
<b>Code</b>	33.13
<b>Description</b>	Connecting rod - rear shock abs.
<b>Service</b>	1



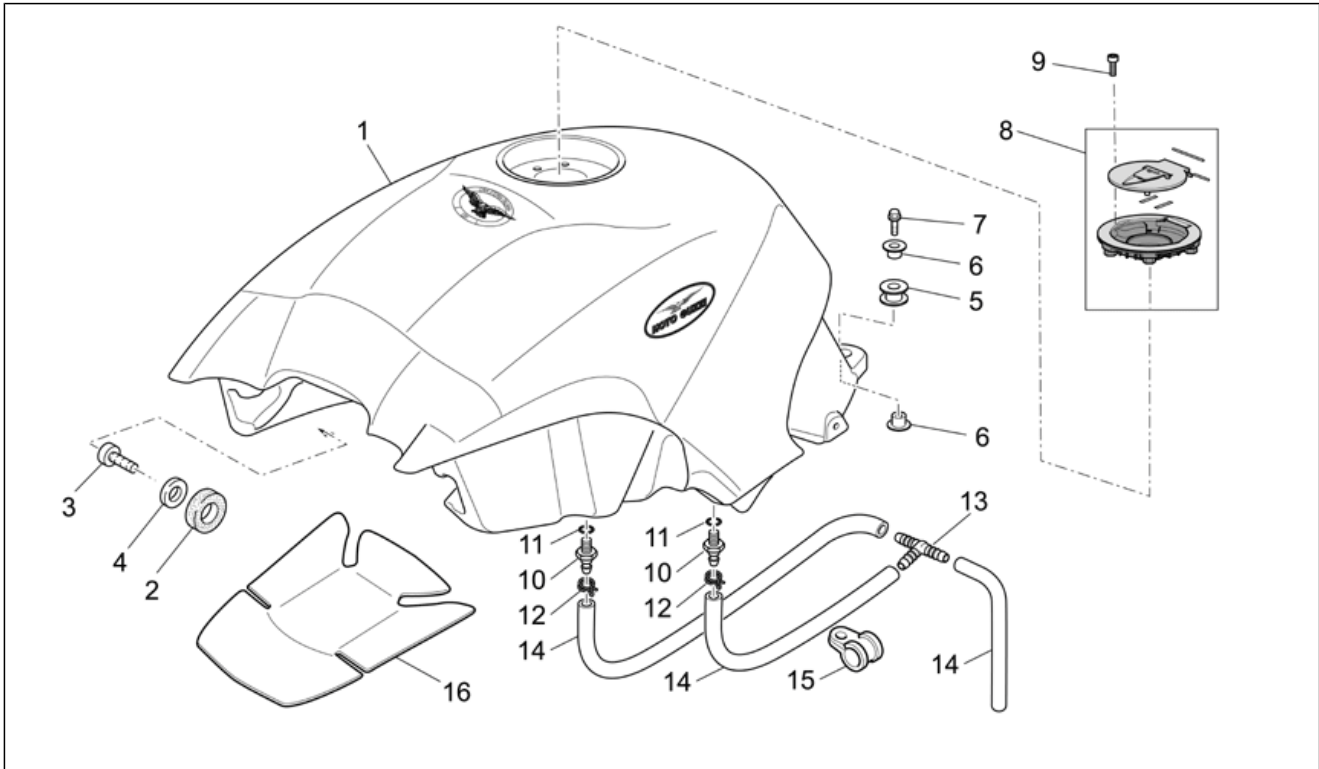
Pos.	Code	Description	Qty	Variants
1	883376	Shock absorber	1	<b>Technical Specifications:</b> State police version[P.S.]
1	GU05550230	Shock absorber	1	<b>Technical Specifications:</b> Versione "GT"[GT], Versione "GTL"[GTL], Versione "T"[T], Versione "TL"[TL]
2	AP8152398	Screw w/ flange M10x80	1	
3	GU05560330	Double conrod	1	
4	AP8135924	Double connecting rod pin L40	1	
5	AP8110066	Cage à rouleaux	7	
6	AP8110068	Oil seal D18x24x3	8	
7	GU05562030	Double connecting rod pin L47	2	
8	AP8135608	Double connecting rod pin L25	1	
9	AP8152397	Hex socket screw M10x82	1	
10	AP8121155	T bush *	1	
11	AP8152301	Self-locking nut	3	
12	AP8152147	Hex screw M10x47	1	
13	AP8150292	Curved spring washer *	1	
14	GU05562430	Single conrod comp.	1	
15	AP8152482	Screw w/ flange M10x85	1	
16	AP8152396	Screw w/ flange M10x95	1	
17	981051	Hard spring	1	<b>Technical Specifications:</b> Versione "GT"[GT], Versione "GTL"[GTL], Versione "T"[T], Versione "TL"[TL]

<b>Group</b>	FRAME
<b>Code</b>	33.14
<b>Description</b>	Fuel tank
<b>Service</b>	1



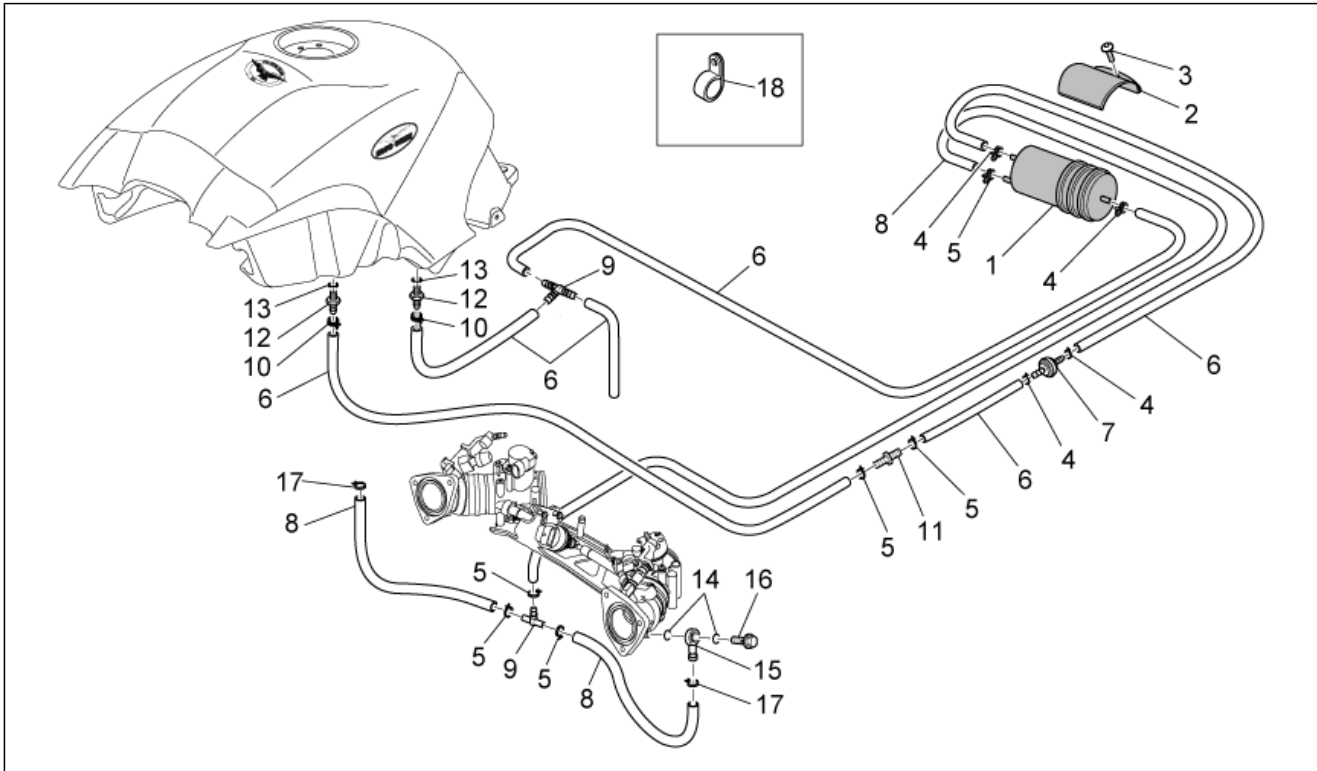
Pos.	Code	Description	Qty	Variants
1	GU05100230	Fuel tank blank	1	<b>Country:</b> Australia[AUS], Other country[EU], Japan[J], Great Britain[UK]
1	GU0510023000YA1	Fuel tank, cyan	1	<b>Vehicle colour:</b> Cyan 2008[az.] <b>Technical Specifications:</b> State police version[P.S.]
1	GU0510023000YG1	Fuel tank bronze	1	<b>Vehicle colour:</b> Bronze 2008[br.] <b>Country:</b> Australia[AUS], Other country[EU], Japan[J], Great Britain[UK]
1	GU05100230F2	Fuel tank, grey	1	<b>Vehicle colour:</b> Excalibur grey 2006[e/gr] <b>Country:</b> Australia[AUS], Other country[EU], Japan[J], Great Britain[UK]
1	GU05100230ND	Fuel tank, black	1	<b>Vehicle colour:</b> Graphite Black 2006[g/bl] <b>Country:</b> Australia[AUS], Other country[EU], Japan[J], Great Britain[UK]
1	GU05100231	Fuel tank red	1	<b>Vehicle colour:</b> Race Red 2006[r/re] <b>Country:</b> Australia[AUS], Other country[EU], Japan[J], Great Britain[UK]
1	GU05100235	Fuel tank blank	1	<b>Country:</b> United States of America[USA]
1	GU0510023500YG1	Fuel tank bronze	1	<b>Vehicle colour:</b> Bronze 2008[br.] <b>Country:</b> United States of America[USA]
1	GU05100235F2	Fuel tank, grey	1	<b>Vehicle colour:</b> Excalibur grey 2006[e/gr] <b>Country:</b> United States of America[USA]
1	GU05100235ND	Fuel tank, black	1	<b>Vehicle colour:</b> Graphite Black 2006[g/bl] <b>Country:</b> United States of America[USA]
1	GU05100236	Fuel tank red	1	<b>Vehicle colour:</b> Race Red 2006[r/re] <b>Country:</b> United States of America[USA]
2	AP8201124	Rubber spacer *	2	
3	GU98682414	Hex socket screw	2	
4	GU95008208	Washer 8,4X15X1,5	2	
5	GU02107100	Rubber spacer	1	
6	AP8121804	Spacer *	2	
7	AP8152291	Screw w/ flange	1	
8	GU05103930	Tank cap	1	

<b>Group</b>	FRAME
<b>Code</b>	33.14
<b>Description</b>	Fuel tank
<b>Service</b>	1



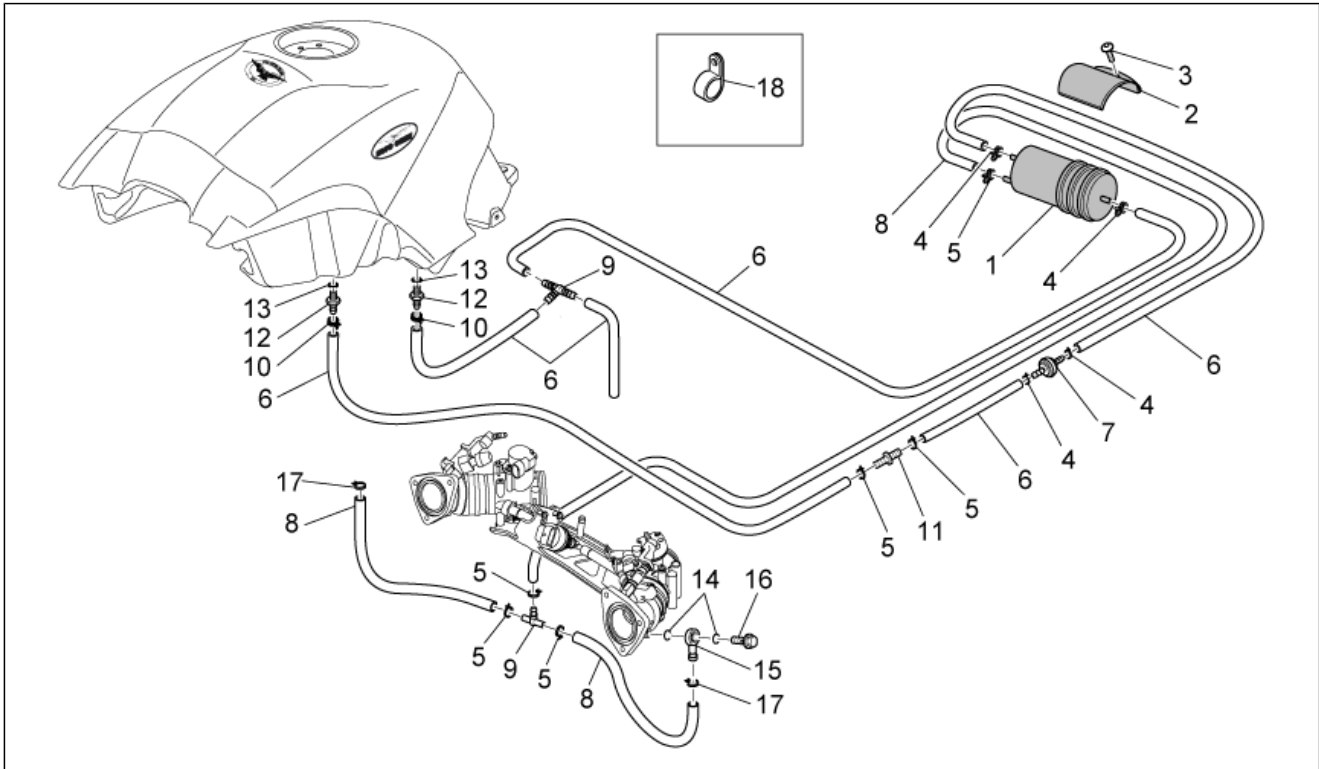
Pos.	Code	Description	Qty	Variants
9	B043864	Hex socket screw M5x14	4	
10	GU30103730	Joint	2	
11	AP8120965	O-ring 2018	2	
12	AP8101595	Hose clamp D10,1	2	
13	AP8104666	3-way union	1	
14	AP8120952	Fuel pipe 5,5x10	3	
15	AP8104451	Cable-guide	2	
16	GU05102930	Fuel tank central insulation	1	

<b>Group</b>	FRAME
<b>Code</b>	33.15
<b>Description</b>	Fuel vapour recover system
<b>Service</b>	1



Pos.	Code	Description	Qty	Variants
1	AP8102678	Carbon filter	1	Country:United States of America[USA]
2	AP8134884	Canister support plate	1	Country:United States of America[USA]
3	AP8152329	Phillips screw, SWP M5x20	1	Country:United States of America[USA]
4	AP8102378	Hose clamp D11,3	4	Year:2007[7] Country:United States of America[USA]
4	GU28157950	Hose clip 12,5x8	4	Year:2008[8] Country:United States of America[USA]
5	AP8102377	Hose clamp D9,1*	8	Year:2007[7] Country:United States of America[USA]
5	GU29108550	Hose clip 11,5x6	8	Year:2008[8] Country:United States of America[USA]
6	856063	pipe SAE 30 d.12,7x6,35	3	Year:2008[8] Country:United States of America[USA]
6	AP8120952	Fuel pipe 5,5x10	3	Year:2007[7] Country:United States of America[USA]
7	AP8104614	Pressure valve	1	Country:United States of America[USA]
8	856062	pipe SAE 30 d.11,11x4,8	3	Year:2008[8] Country:United States of America[USA]
8	AP8220263	Breather pipe 4x8	3	Year:2007[7] Country:United States of America[USA]
9	AP8104666	3-way union	2	Year:2007[7] Country:United States of America[USA]
9	AP8144303	3-way union	2	Year:2008[8] Country:United States of America[USA]
10	AP8101595	Hose clamp D10,1	2	Country:United States of America[USA]
11	AP8101944	2-way union	1	Year:2007[7] Country:United States of America[USA]
11	GU06704700	Joint	1	Year:2008[8] Country:United States of America[USA]
12	GU30103730	Joint	2	Country:United States of America[USA]
13	AP8120965	O-ring 2018	2	Country:United States of America[USA]

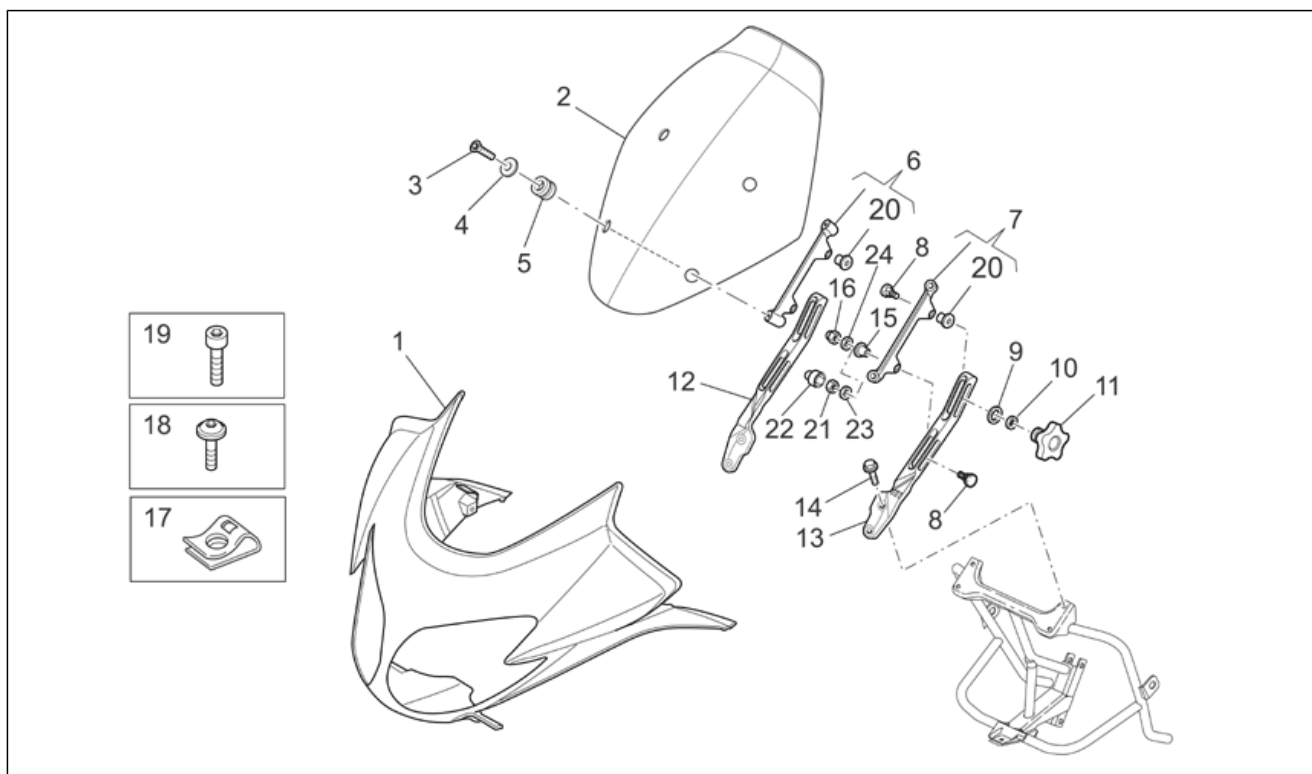
<b>Group</b>	FRAME
<b>Code</b>	33.15
<b>Description</b>	Fuel vapour recover system
<b>Service</b>	1



Pos.	Code	Description	Qty	Variants
14	GU90706009	O-ring 6x1	4	Country:United States of America[USA]
15	GU95963062	Joint	2	Country:United States of America[USA]
16	GU95990023	Bored screw	2	Country:United States of America[USA]
17	AP8102378	Hose clamp D11,3	2	Year:2008[8] Country:United States of America[USA]
18	AP8134167	Brake hose hanger	2	Year:2008[8] Country:United States of America[USA]

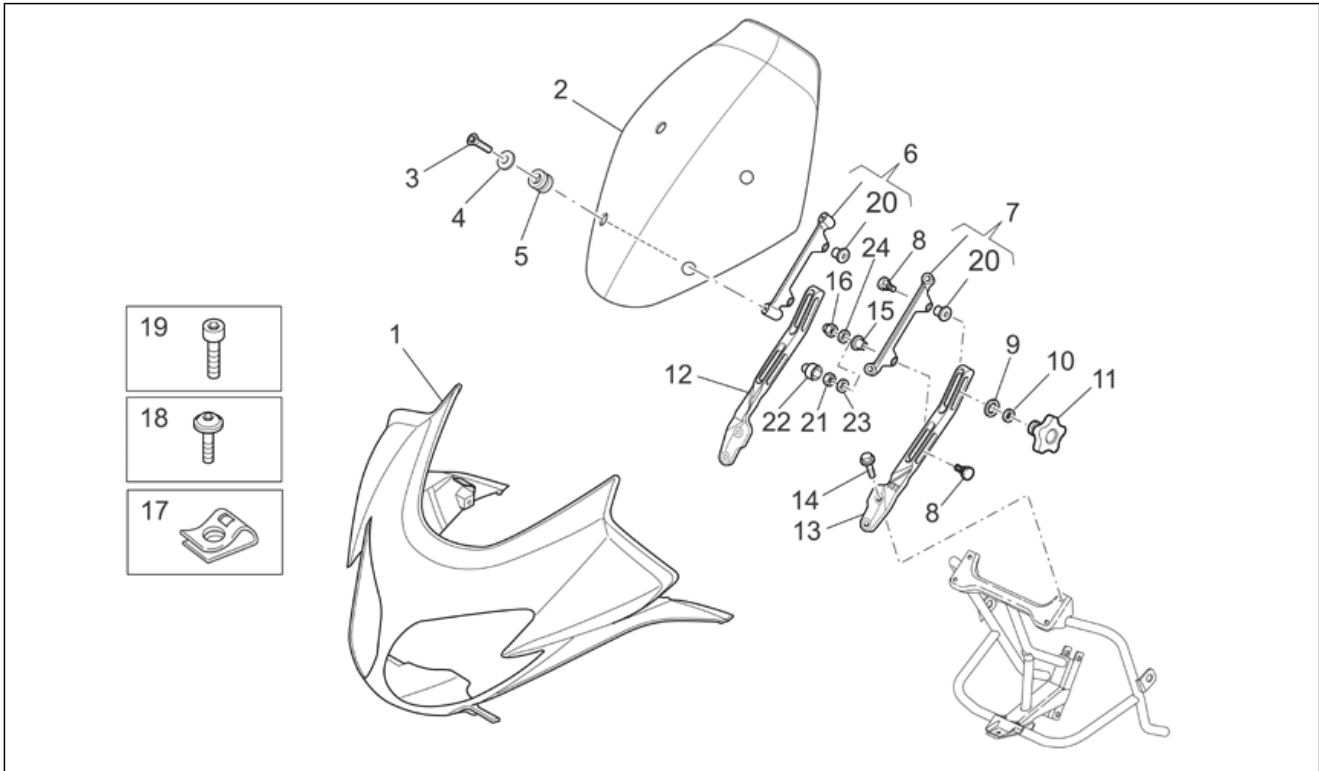


<b>Group</b>	FRAME
<b>Code</b>	33.16
<b>Description</b>	Front body I
<b>Service</b>	1



Pos.	Code	Description	Qty	Variants
1	977100	Headlight windshield blank	1	Vehicle colour:Bronze 2008[br.], Excalibur grey 2006[e/gr], Graphite Black 2006[g/bl], Race Red 2006[r/re]
1	97710000YG1	Windshield, bronze	1	Vehicle colour:Bronze 2008[br.]
1	977100F2	Windshield, grey	1	Vehicle colour:Excalibur grey 2006[e/gr]
1	977100ND	Front fairing, black	1	Vehicle colour:Graphite Black 2006[g/bl]
1	977100Y01	Windshield, red	1	Vehicle colour:Race Red 2006[r/re]
1	97798000YA1	Windshield, sky blue	1	Vehicle colour:Cyan 2008[az.] Technical Specifications:State police version[P.S.]
2	883225	Windscreen L=540mm	1	Technical Specifications:State police version[P.S.]
2	977118	Windscreen	1	Technical Specifications:Versione "GT"[GT], Versione "GTL"[GTL], Versione "T"[T], Versione "TL"[TL]
3	GU98257618	Screw M6x18	4	
4	269787	Special washer nero	4	
5	560173	Rubber spacer	4	
6	977583	RH support	1	
7	977584	LH support	1	
8	977600	Special screw	4	
9	GU95005310	Washer 8,4x18x2	2	
10	GU14615901	Washer 8,4X13X0,8	4	Technical Specifications:1st Serie[1A]
11	977681	Knob	2	
12	977596	RH clamp	1	
13	977597	LH clamp	1	
14	AP8152278	Screw w/ flange M6x16	4	
15	977698	T bush 8,2x10,2x11,6	2	
16	GU92787008	Cap nut M8x1,25	2	
17	AP8102375	Clip m5	12	
18	AP8152339	Screw w/ flange M5x9	8	
19	GU98692216	Hex socket screw	2	
20	977699	T bush 8,2x10,2x4	4	

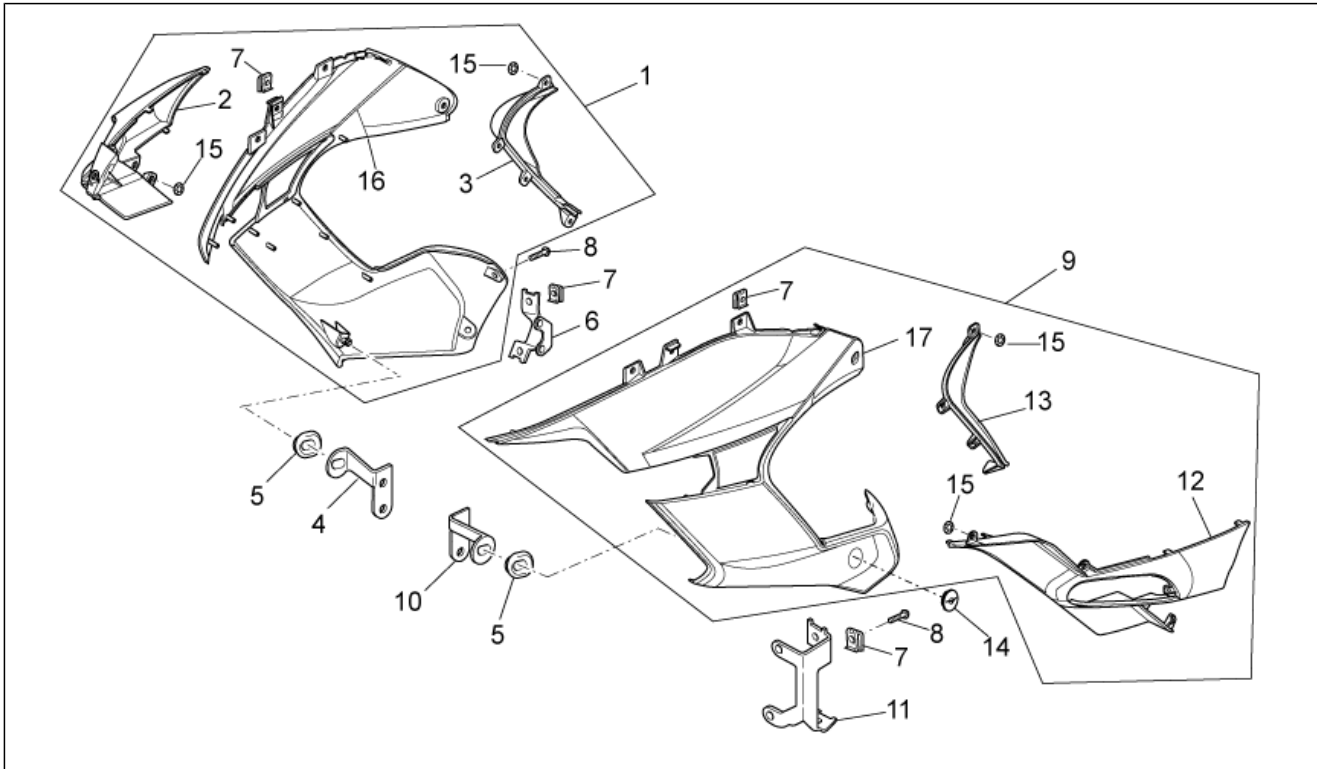
<b>Group</b>	FRAME
<b>Code</b>	33.16
<b>Description</b>	Front body I
<b>Service</b>	1



Pos.	Code	Description	Qty	Variants
21	GU92640708	Nut M8	2	Technical Specifications:2nd Serie[2A]
22	978170	Black plug	2	Technical Specifications:2nd Serie[2A]
23	GU03270300	Washer 8,4x15	2	Technical Specifications:2nd Serie[2A]
24	GU14615901	Washer 8,4X13X0,8	2	Technical Specifications:1st Serie[1A]



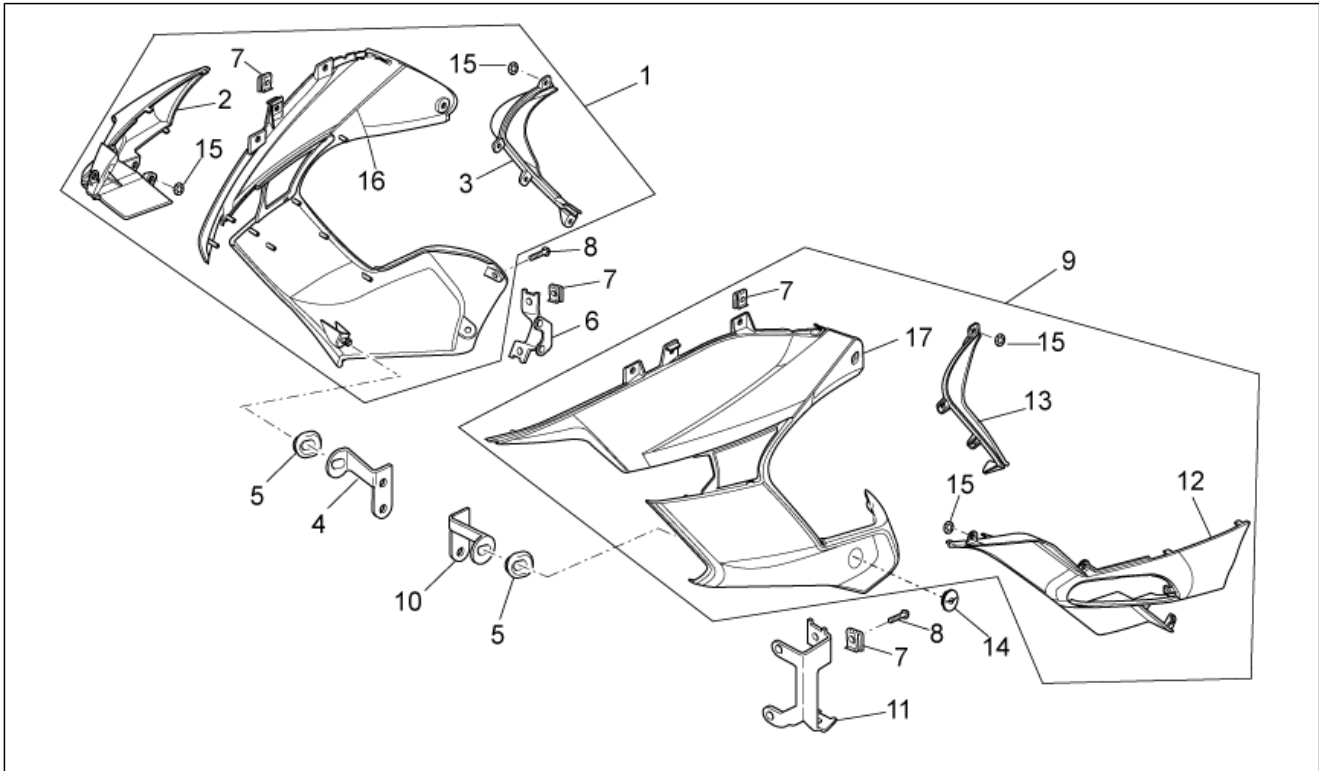
<b>Group</b>	FRAME
<b>Code</b>	33.17
<b>Description</b>	Front body II
<b>Service</b>	1



Pos.	Code	Description	Qty	Variants
1	97771900YG1	RH lat.fairing, bronze	1	<b>Vehicle colour:</b> Bronze 2008[br.] <b>Technical Specifications:</b> Versione "GT"[GT], Versione "GTL"[GTL], Versione "T"[T], Versione "TL"[TL]
1	977719F2	RH lat.fairing, grey	1	<b>Vehicle colour:</b> Excalibur grey 2006[e/gr] <b>Technical Specifications:</b> Versione "GT"[GT], Versione "GTL"[GTL], Versione "T"[T], Versione "TL"[TL]
1	977719ND	RH lat.fairing, black	1	<b>Vehicle colour:</b> Graphite Black 2006[g/bl] <b>Technical Specifications:</b> Versione "GT"[GT], Versione "GTL"[GTL], Versione "T"[T], Versione "TL"[TL]
1	977719Y01	RH lat.fairing, red	1	<b>Vehicle colour:</b> Race Red 2006[r/re] <b>Technical Specifications:</b> Versione "GT"[GT], Versione "GTL"[GTL], Versione "T"[T], Versione "TL"[TL]
1	97812200YA1	LH lateral fairing, sky blue	1	<b>Vehicle colour:</b> Cyan 2008[az.] <b>Technical Specifications:</b> State police version[P.S.]
2	977106	RH turn indicator support	1	
3	977108	RH baffle, chrome	1	
4	977125	RH plate	1	
5	AP8220162	Rubber spacer	2	
6	977119	R H rear plate	1	
7	AP8102375	Clip m5	6	
7	AP8102381	Clip M4	4	
8	AP8152339	Screw w/ flange M5x9	4	
9	97772000YG1	LH lat.fairing, bronze	1	<b>Vehicle colour:</b> Bronze 2008[br.] <b>Technical Specifications:</b> Versione "GT"[GT], Versione "GTL"[GTL], Versione "T"[T], Versione "TL"[TL]
9	977720F2	LH lat.fairing, grey	1	<b>Vehicle colour:</b> Excalibur grey 2006[e/gr] <b>Technical Specifications:</b> Versione "GT"[GT], Versione "GTL"[GTL], Versione "T"[T], Versione "TL"[TL]
9	977720ND	LH lat.fairing, black	1	<b>Vehicle colour:</b> Graphite Black 2006[g/bl] <b>Technical Specifications:</b> Versione "GT"[GT], Versione "GTL"[GTL], Versione "T"[T], Versione "TL"[TL]
9	977720Y01	LH lat.fairing, red	1	<b>Vehicle colour:</b> Race Red 2006[r/re]

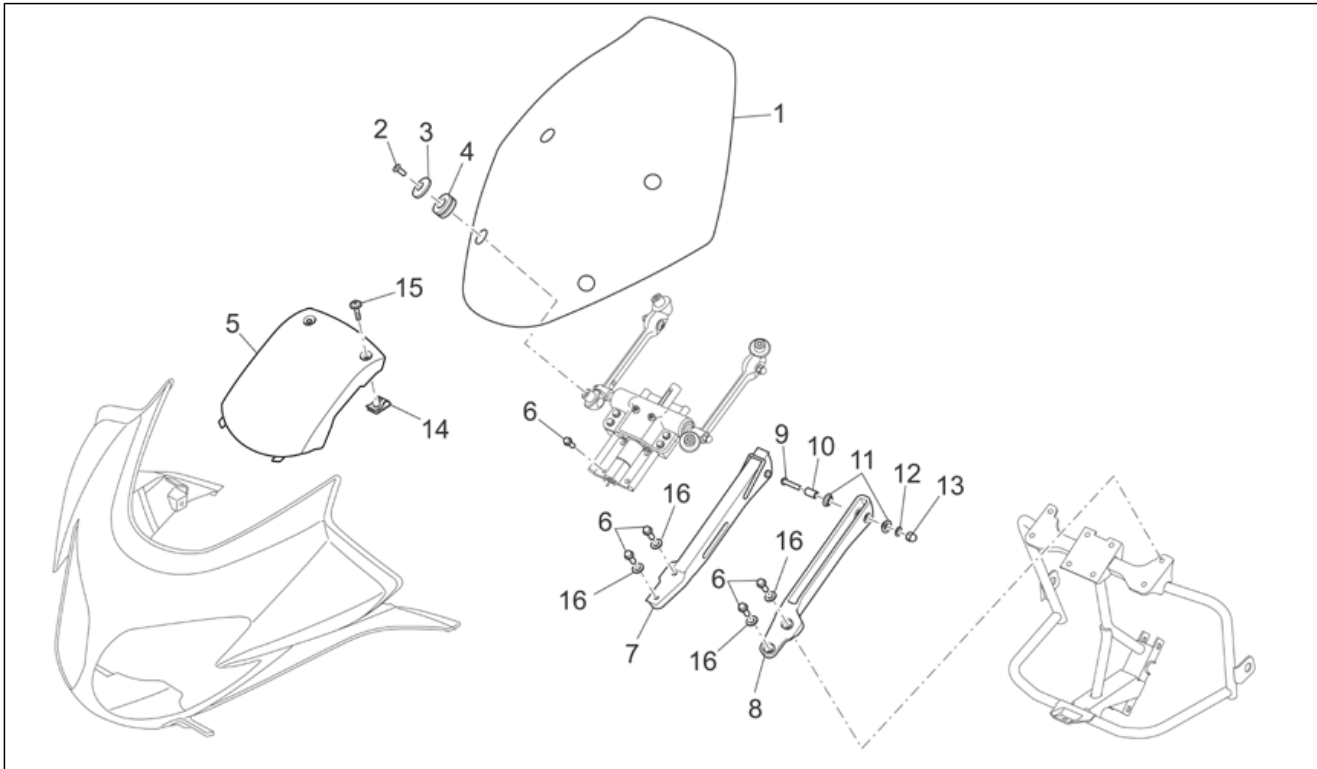


<b>Group</b>	FRAME
<b>Code</b>	33.17
<b>Description</b>	Front body II
<b>Service</b>	1



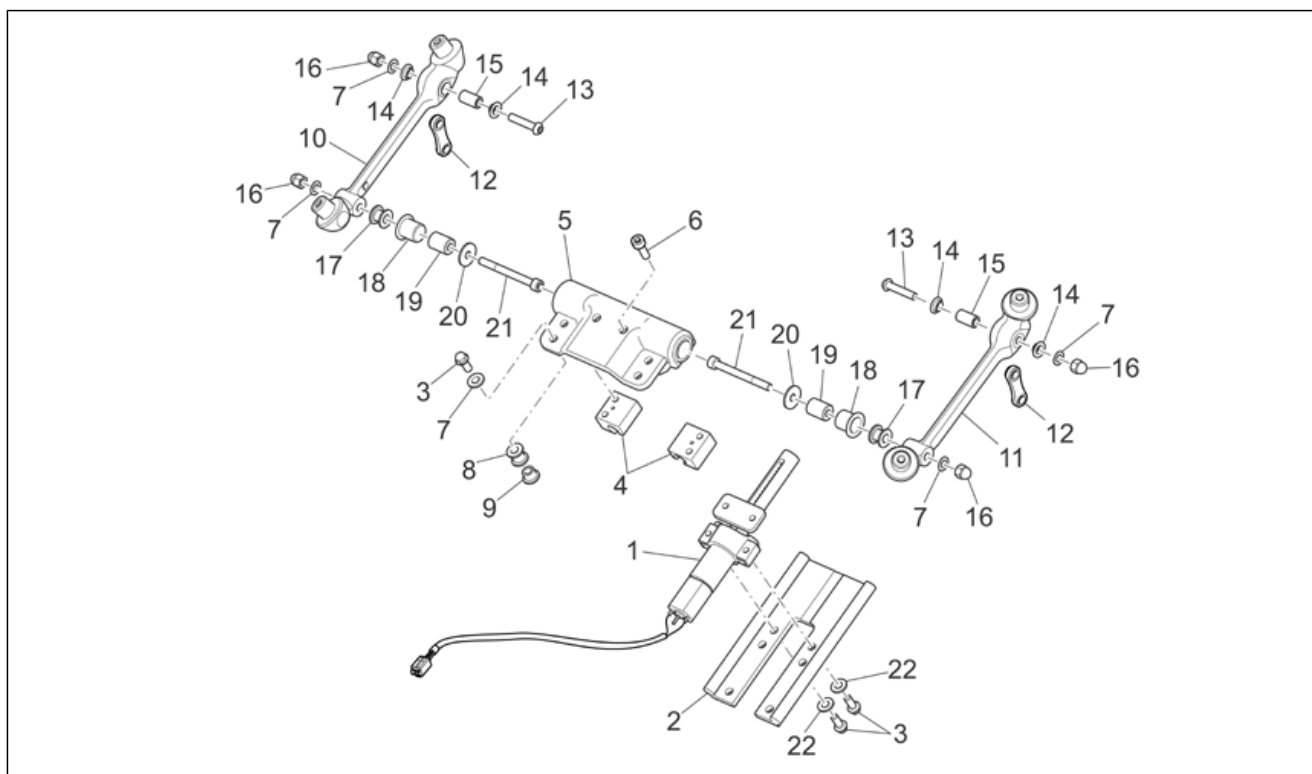
Pos.	Code	Description	Qty	Variants
				<b>Technical Specifications:</b> Versione "GT"[GT], Versione "GTL"[GTL], Versione "T"[T], Versione "TL"[TL]
9	97813400YA1	RH lateral fairing, sky blue	1	<b>Vehicle colour:</b> Cyan 2008[az.] <b>Technical Specifications:</b> State police version[P.S.]
10	977126	LH plate	1	
11	977121	L H rear plate	1	
12	977105	LH turn indicator support	1	
13	977107	LH baffle, chrome	1	
14	GU05002130	Cover	1	
15	AP8150450	Washer for shafts D5	8	
16	977104	RH fairing blank	1	<b>Vehicle colour:</b> Bronze 2008[br.], Excalibur grey 2006[e/gr], Graphite Black 2006[g/bl], Race Red 2006[r/re] <b>Technical Specifications:</b> Versione "GT"[GT], Versione "GTL"[GTL], Versione "T"[T], Versione "TL"[TL]
17	977103	LH fairing blank	1	<b>Vehicle colour:</b> Bronze 2008[br.], Excalibur grey 2006[e/gr], Graphite Black 2006[g/bl], Race Red 2006[r/re] <b>Technical Specifications:</b> Versione "GT"[GT], Versione "GTL"[GTL], Versione "T"[T], Versione "TL"[TL]

<b>Group</b>	FRAME
<b>Code</b>	33.18
<b>Description</b>	Electro-Windscreen II
<b>Service</b>	1



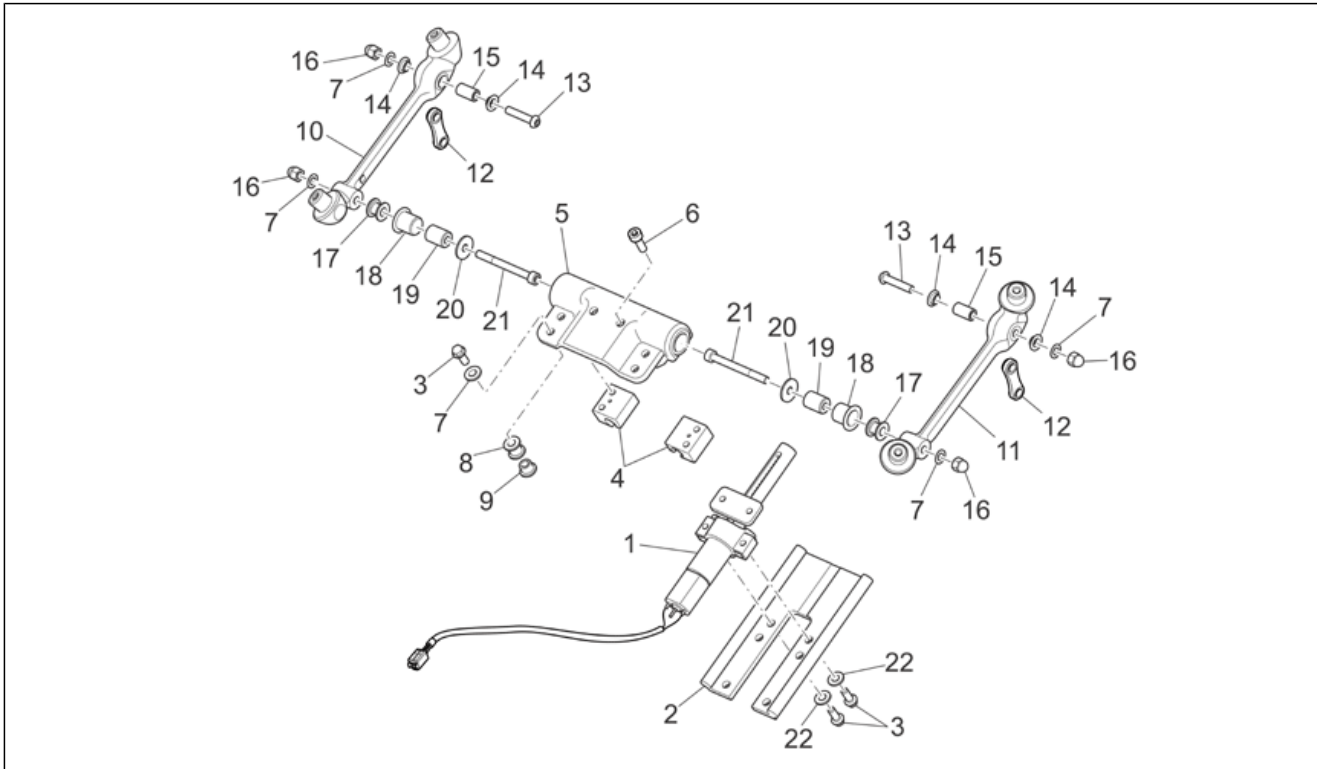
Pos.	Code	Description	Qty	Variants
1	977118	Windscreen	1	<b>Technical Specifications:</b> Versione "GTL"[GTL], Versione "TL"[TL]
2	GU98257618	Screw M6x18	4	<b>Technical Specifications:</b> Versione "GTL"[GTL], Versione "TL"[TL]
3	269787	Special washer nero	4	<b>Technical Specifications:</b> Versione "GTL"[GTL], Versione "TL"[TL]
4	560173	Rubber spacer	4	<b>Technical Specifications:</b> Versione "GTL"[GTL], Versione "TL"[TL]
5	977854	Engine protective cover	1	<b>Technical Specifications:</b> Versione "GTL"[GTL], Versione "TL"[TL]
6	AP8152278	Screw w/ flange M6x16	8	<b>Technical Specifications:</b> Versione "GTL"[GTL], Versione "TL"[TL]
7	977604	RH support	1	<b>Technical Specifications:</b> Versione "GTL"[GTL], Versione "TL"[TL]
8	977605	LH support	1	<b>Technical Specifications:</b> Versione "GTL"[GTL], Versione "TL"[TL]
9	GU98370630	Hex socket screw M6x30	2	<b>Technical Specifications:</b> Versione "GTL"[GTL], Versione "TL"[TL]
10	977644	Spacer	2	<b>Technical Specifications:</b> Versione "GTL"[GTL], Versione "TL"[TL]
11	977645	Bushing	4	<b>Technical Specifications:</b> Versione "GTL"[GTL], Versione "TL"[TL]
12	GU03013800	Washer 6,4x12	2	<b>Technical Specifications:</b> Versione "GTL"[GTL], Versione "TL"[TL]
13	GU92787006	Cap nut M6x1	2	<b>Technical Specifications:</b> Versione "GTL"[GTL], Versione "TL"[TL]
14	AP8102375	Clip m5	2	<b>Technical Specifications:</b> Versione "GTL"[GTL], Versione "TL"[TL]
15	AP8152298	Screw w/ flange M5x16	2	<b>Technical Specifications:</b> Versione "GTL"[GTL], Versione "TL"[TL]
16	GU14217901	Washer 6,4x10x0,7	4	<b>Technical Specifications:</b> Versione "GTL"[GTL], Versione "TL"[TL]

<b>Group</b>	FRAME
<b>Code</b>	33.19
<b>Description</b>	Electro-Windscreen I
<b>Service</b>	1



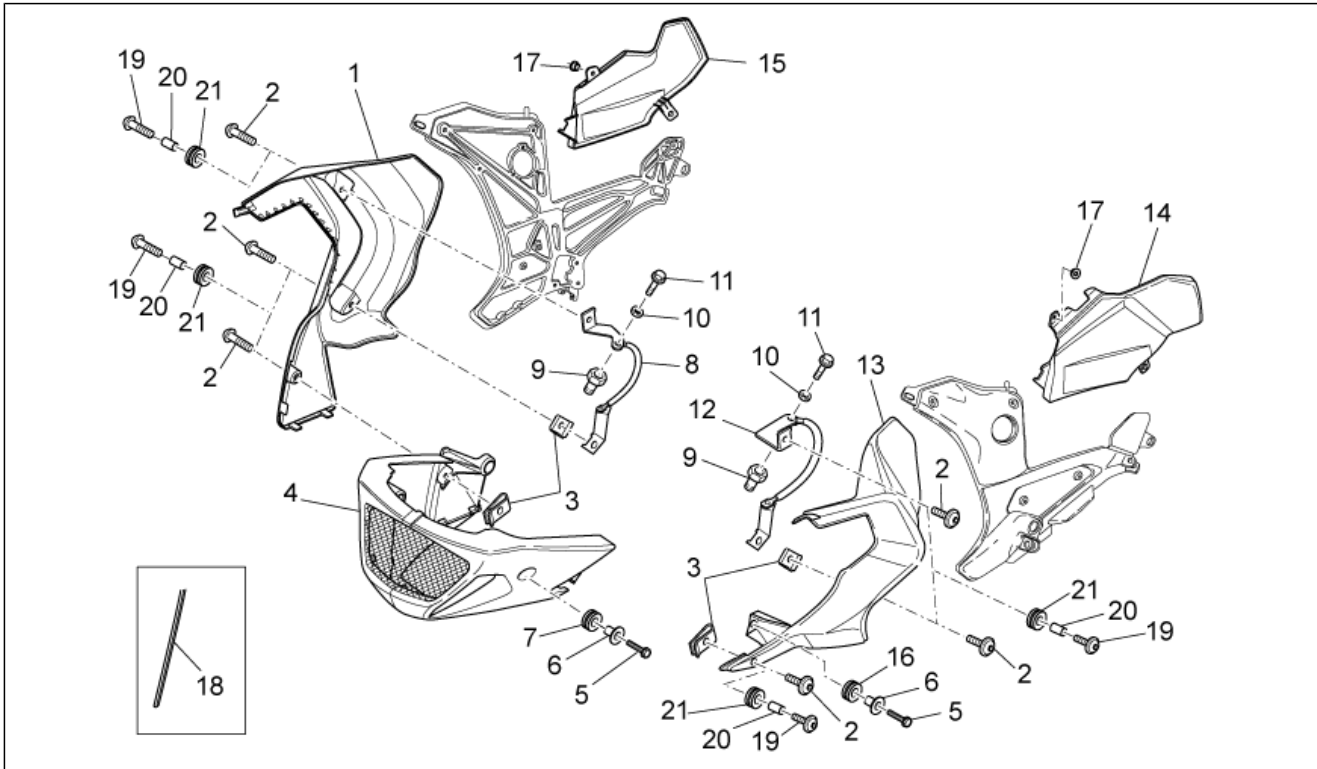
Pos.	Code	Description	Qty	Variants
1	978060	Motor kit	1	<b>Technical Specifications:</b> Versione "GTL"[GTL], Versione "TL"[TL]
2	977610	Steering block	1	<b>Technical Specifications:</b> Versione "GTL"[GTL], Versione "TL"[TL]
3	AP8152278	Screw w/ flange M6x16	6	<b>Technical Specifications:</b> Versione "GTL"[GTL], Versione "TL"[TL]
4	977638	Sliding block	2	<b>Technical Specifications:</b> Versione "GTL"[GTL], Versione "TL"[TL]
5	977609	plate	1	<b>Technical Specifications:</b> Versione "GTL"[GTL], Versione "TL"[TL]
6	GU98682310	Hex socket screw M6x10	2	<b>Technical Specifications:</b> Versione "GTL"[GTL], Versione "TL"[TL]
7	GU03013800	Washer 6,4x12	8	<b>Technical Specifications:</b> Versione "GTL"[GTL], Versione "TL"[TL]
8	978152	Rubber spacer	4	<b>Technical Specifications:</b> Versione "GTL"[GTL], Versione "TL"[TL]
9	AP8121795	T bush	4	<b>Technical Specifications:</b> Versione "GTL"[GTL], Versione "TL"[TL]
10	977606	RH support	1	<b>Technical Specifications:</b> Versione "GTL"[GTL], Versione "TL"[TL]
11	977607	LH support	1	<b>Technical Specifications:</b> Versione "GTL"[GTL], Versione "TL"[TL]
12	977608	Connecting rod	2	<b>Technical Specifications:</b> Versione "GTL"[GTL], Versione "TL"[TL]
13	GU98370630	Hex socket screw M6x30	2	<b>Technical Specifications:</b> Versione "GTL"[GTL], Versione "TL"[TL]
14	977645	Bushing	4	<b>Technical Specifications:</b> Versione "GTL"[GTL], Versione "TL"[TL]
15	977644	Spacer	2	<b>Technical Specifications:</b> Versione "GTL"[GTL], Versione "TL"[TL]
16	GU92787006	Cap nut M6x1	4	<b>Technical Specifications:</b> Versione "GTL"[GTL], Versione "TL"[TL]

<b>Group</b>	FRAME
<b>Code</b>	33.19
<b>Description</b>	Electro-Windscreen I
<b>Service</b>	1



Pos.	Code	Description	Qty	Variants
17	977881	Spacer	2	<b>Technical Specifications:</b> Versione "GTL"[GTL], Versione "TL"[TL]
18	977641	Bushing	2	<b>Technical Specifications:</b> Versione "GTL"[GTL], Versione "TL"[TL]
19	977646	Spacer	2	<b>Technical Specifications:</b> Versione "GTL"[GTL], Versione "TL"[TL]
20	GU95005320	Washer 6,5x20x1,5	2	<b>Technical Specifications:</b> Versione "GTL"[GTL], Versione "TL"[TL]
21	GU98680360	Hex socket screw M6x60	2	<b>Technical Specifications:</b> Versione "GTL"[GTL], Versione "TL"[TL]
22	GU14217901	Washer 6,4x10x0,7	2	<b>Technical Specifications:</b> Versione "GTL"[GTL], Versione "TL"[TL]

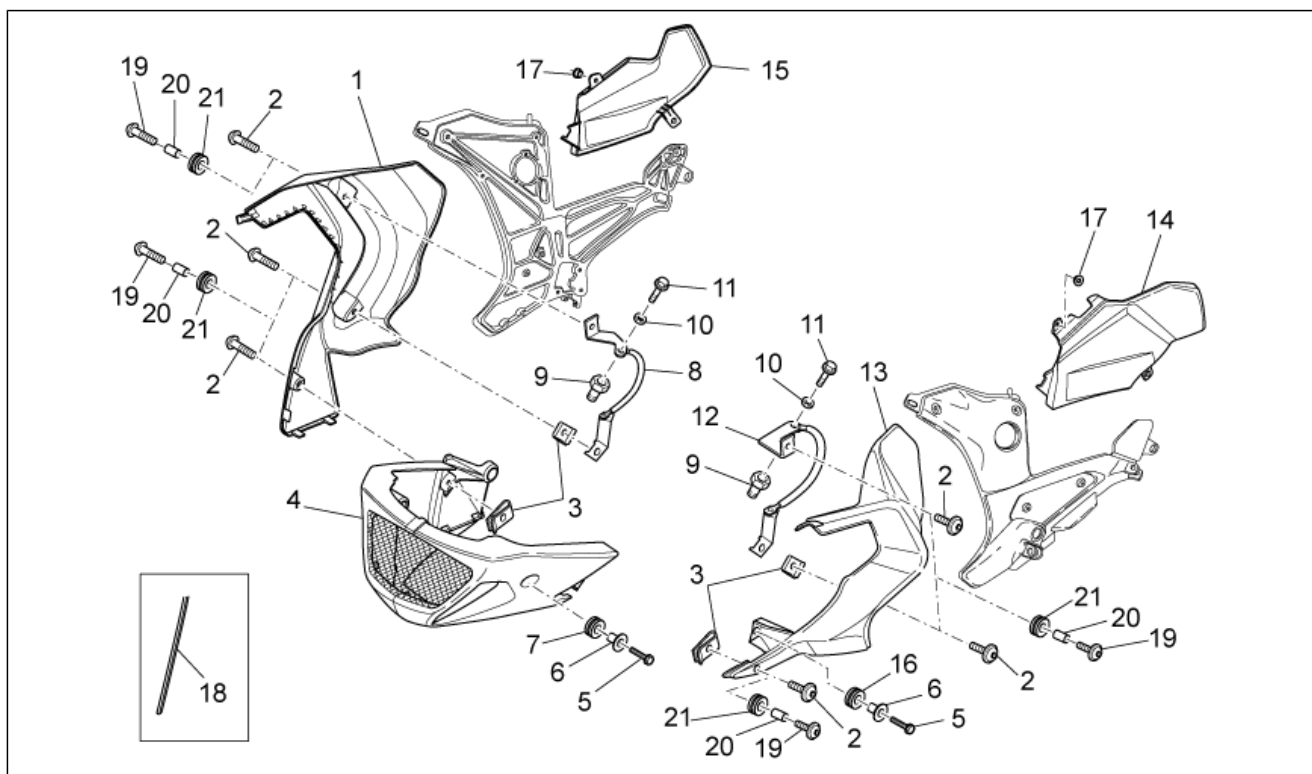
<b>Group</b>	FRAME
<b>Code</b>	33.20
<b>Description</b>	Central body
<b>Service</b>	1



Pos.	Code	Description	Qty	Variants
1	977110	RH side panel, blank	1	<b>Technical Specifications:</b> Versione "GT"[GT], Versione "GTL"[GTL], State police version[P.S.]
1	97711000YA1	RH side panel, cyan	1	<b>Vehicle colour:</b> Cyan 2008[az.] <b>Technical Specifications:</b> State police version[P.S.]
1	97711000YG1	RH side panel, bronze	1	<b>Vehicle colour:</b> Bronze 2008[br.] <b>Technical Specifications:</b> Versione "GT"[GT], Versione "GTL"[GTL]
1	977110F2	RH side panel, grey	1	<b>Vehicle colour:</b> Excalibur grey 2006[e/gr] <b>Technical Specifications:</b> Versione "GT"[GT], Versione "GTL"[GTL]
1	977110ND	RH side panel, black	1	<b>Vehicle colour:</b> Graphite Black 2006[g/bl] <b>Technical Specifications:</b> Versione "GT"[GT], Versione "GTL"[GTL]
1	977110Y01	RH side panel, red	1	<b>Vehicle colour:</b> Race Red 2006[r/re] <b>Technical Specifications:</b> Versione "GT"[GT], Versione "GTL"[GTL]
2	AP8152339	Screw w/ flange M5x9	6	<b>Technical Specifications:</b> 1st Serie[1A], Versione "GT"[GT], Versione "GTL"[GTL]
3	AP8102375	Clip m5	6	<b>Technical Specifications:</b> Versione "GT"[GT], Versione "GTL"[GTL]
4	97772100YA1	Pillar, bronze	1	<b>Vehicle colour:</b> Cyan 2008[az.] <b>Technical Specifications:</b> State police version[P.S.]
4	97772100YG1	Pillar, cyan	1	<b>Vehicle colour:</b> Bronze 2008[br.] <b>Technical Specifications:</b> Versione "GT"[GT], Versione "GTL"[GTL]
4	977721F2	Pillar, grey	1	<b>Vehicle colour:</b> Excalibur grey 2006[e/gr] <b>Technical Specifications:</b> Versione "GT"[GT], Versione "GTL"[GTL]
4	977721ND	Pillar, black	1	<b>Vehicle colour:</b> Graphite Black 2006[g/bl] <b>Technical Specifications:</b> Versione "GT"[GT], Versione "GTL"[GTL]
4	977721Y01	Pillar, red	1	<b>Vehicle colour:</b> Race Red 2006[r/re]

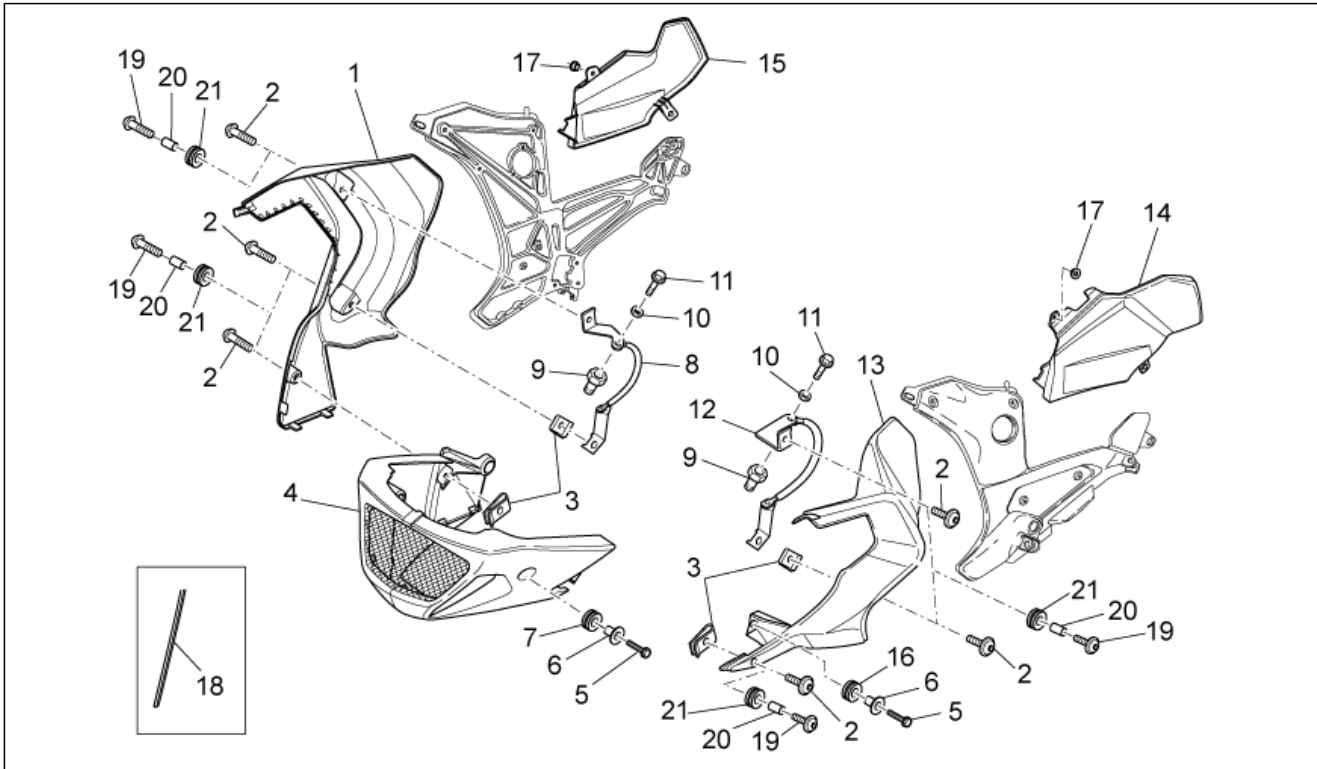


<b>Group</b>	FRAME
<b>Code</b>	33.20
<b>Description</b>	Central body
<b>Service</b>	1



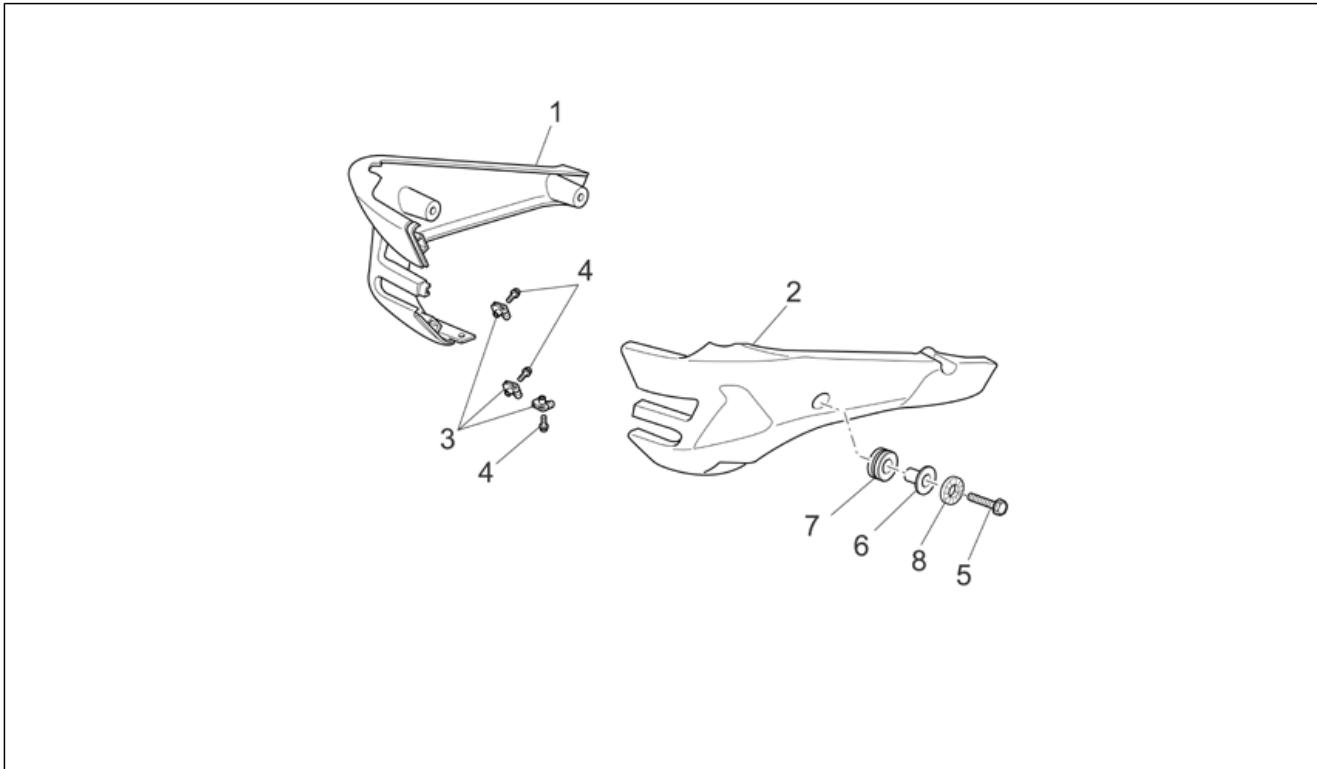
Pos.	Code	Description	Qty	Variants
				<b>Technical Specifications:</b> Versione "GT"[GT], Versione "GTL"[GTL]
5	AP8152287	Screw w/ flange M8x25	4	<b>Technical Specifications:</b> Versione "GT"[GT], Versione "GTL"[GTL]
6	AP8221128	T bush 8,5x10,7x12	4	<b>Technical Specifications:</b> Versione "GT"[GT], Versione "GTL"[GTL]
7	AP8120594	Rubber spacer	3	<b>Technical Specifications:</b> Versione "GT"[GT], Versione "GTL"[GTL]
8	977619	RH support	1	<b>Technical Specifications:</b> Versione "GT"[GT], Versione "GTL"[GTL]
9	977618	Special screw	2	<b>Technical Specifications:</b> Versione "GT"[GT], Versione "GTL"[GTL]
10	GU95129100	Spring washer 5,3X10X0,5	2	<b>Technical Specifications:</b> Versione "GT"[GT], Versione "GTL"[GTL]
11	AP8152272	Screw w/ flange M5x12	4	<b>Technical Specifications:</b> Versione "GT"[GT], Versione "GTL"[GTL]
12	977623	LH support	1	<b>Technical Specifications:</b> Versione "GT"[GT], Versione "GTL"[GTL]
13	977109	LH side panel, blank	1	<b>Technical Specifications:</b> Versione "GT"[GT], Versione "GTL"[GTL], State police version[P.S.]
13	97710900YA1	LH side panel, cyan	1	<b>Vehicle colour:</b> Cyan 2008[az.] <b>Technical Specifications:</b> State police version[P.S.]
13	97710900YG1	LH side panel, bronze	1	<b>Vehicle colour:</b> Bronze 2008[br.] <b>Technical Specifications:</b> Versione "GT"[GT], Versione "GTL"[GTL]
13	977109F2	LH side panel, grey	1	<b>Vehicle colour:</b> Excalibur grey 2006[e/gr] <b>Technical Specifications:</b> Versione "GT"[GT], Versione "GTL"[GTL]
13	977109ND	LH side panel, black	1	<b>Vehicle colour:</b> Graphite Black 2006[g/bl] <b>Technical Specifications:</b> Versione "GT"[GT], Versione "GTL"[GTL]
13	977109Y01	LH side panel, red	1	<b>Vehicle colour:</b> Race Red 2006[r/re]

<b>Group</b>	FRAME
<b>Code</b>	33.20
<b>Description</b>	Central body
<b>Service</b>	1



Pos.	Code	Description	Qty	Variants
				<b>Technical Specifications:</b> Versione "GT"[GT], Versione "GTL"[GTL]
14	977113	LH rear wall	1	<b>Technical Specifications:</b> Versione "GT"[GT], Versione "GTL"[GTL]
14	977966	LH rear wall	1	<b>Technical Specifications:</b> State police version[P.S.]
15	977114	RH rear wall	1	<b>Technical Specifications:</b> Versione "GT"[GT], Versione "GTL"[GTL]
15	977967	RH rear wall	1	<b>Technical Specifications:</b> State police version[P.S.]
16	AP8120030	Rubber spacer	1	<b>Technical Specifications:</b> 2nd Serie[2A], Versione "GT"[GT], Versione "GTL"[GTL]
16	AP8120594	Rubber spacer	1	<b>Technical Specifications:</b> 1st Serie[1A], Versione "GT"[GT], Versione "GTL"[GTL]
17	GU31576183	Spacer	2	<b>Technical Specifications:</b> Versione "GT"[GT], Versione "GTL"[GTL]
18	GU00823931080	Gasket PVC	2	<b>Technical Specifications:</b> Versione "GT"[GT], Versione "GTL"[GTL]
19	AP8152298	Screw w/ flange M5x16	6	<b>Technical Specifications:</b> 2nd Serie[2A], Versione "GT"[GT], Versione "GTL"[GTL]
20	GU91180506	Spacer	6	<b>Technical Specifications:</b> 2nd Serie[2A], Versione "GT"[GT], Versione "GTL"[GTL]
21	AP8120405	Rubber spacer	6	<b>Technical Specifications:</b> 2nd Serie[2A], Versione "GT"[GT], Versione "GTL"[GTL]

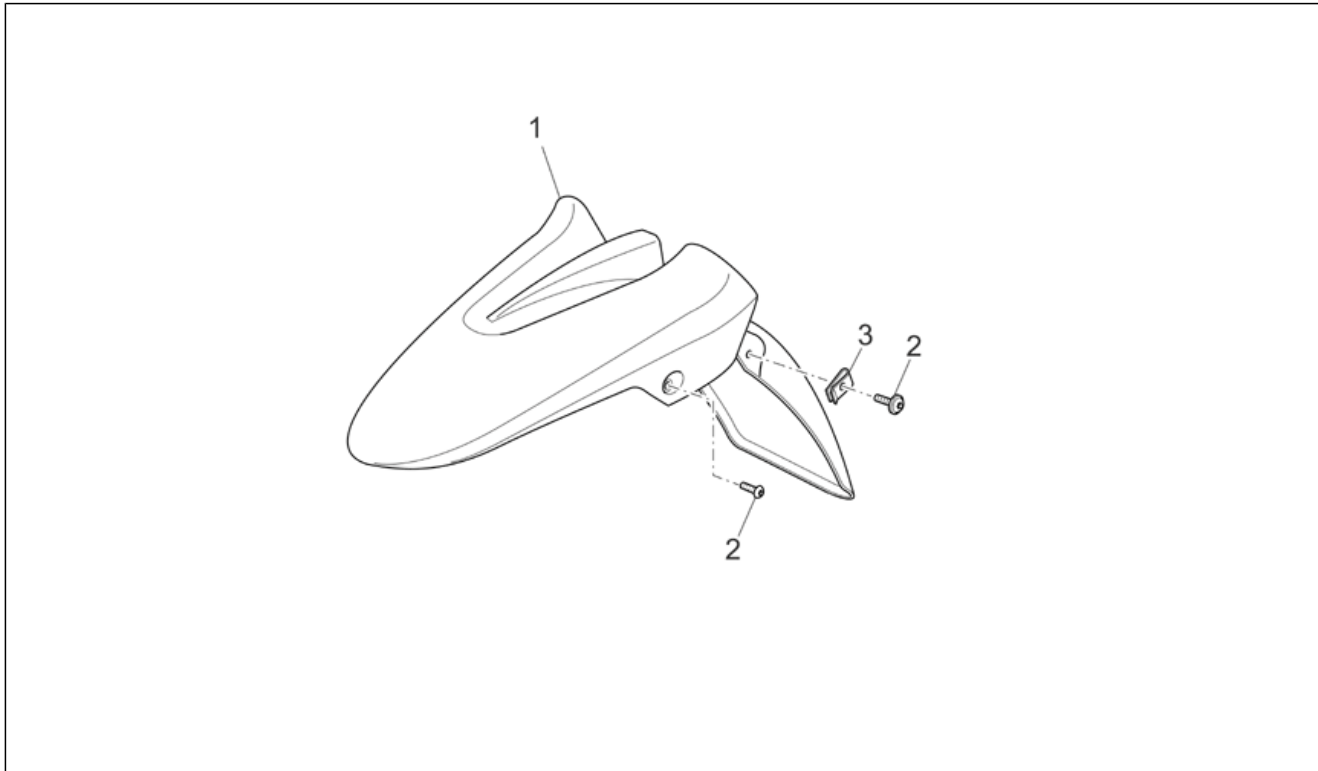
<b>Group</b>	FRAME
<b>Code</b>	33.21
<b>Description</b>	Pillar
<b>Service</b>	1



Pos.	Code	Description	Qty	Variants
1	GU05570530	RH Pillar	1	<b>Technical Specifications:</b> Versione "T"[T], Versione "TL"[TL]
2	GU05570630	LH Pillar	1	<b>Technical Specifications:</b> Versione "T"[T], Versione "TL"[TL]
3	AP8102375	Clip m5	3	<b>Technical Specifications:</b> Versione "T"[T], Versione "TL"[TL]
4	AP8152339	Screw w/ flange M5x9	3	<b>Technical Specifications:</b> Versione "T"[T], Versione "TL"[TL]
5	AP8152287	Screw w/ flange M8x25	4	<b>Technical Specifications:</b> Versione "T"[T], Versione "TL"[TL]
6	AP8221128	T bush 8,5x10,7x12	4	<b>Technical Specifications:</b> Versione "T"[T], Versione "TL"[TL]
7	AP8120594	Rubber spacer	4	<b>Technical Specifications:</b> Versione "T"[T], Versione "TL"[TL]
8	GU95008308	Washer	4	



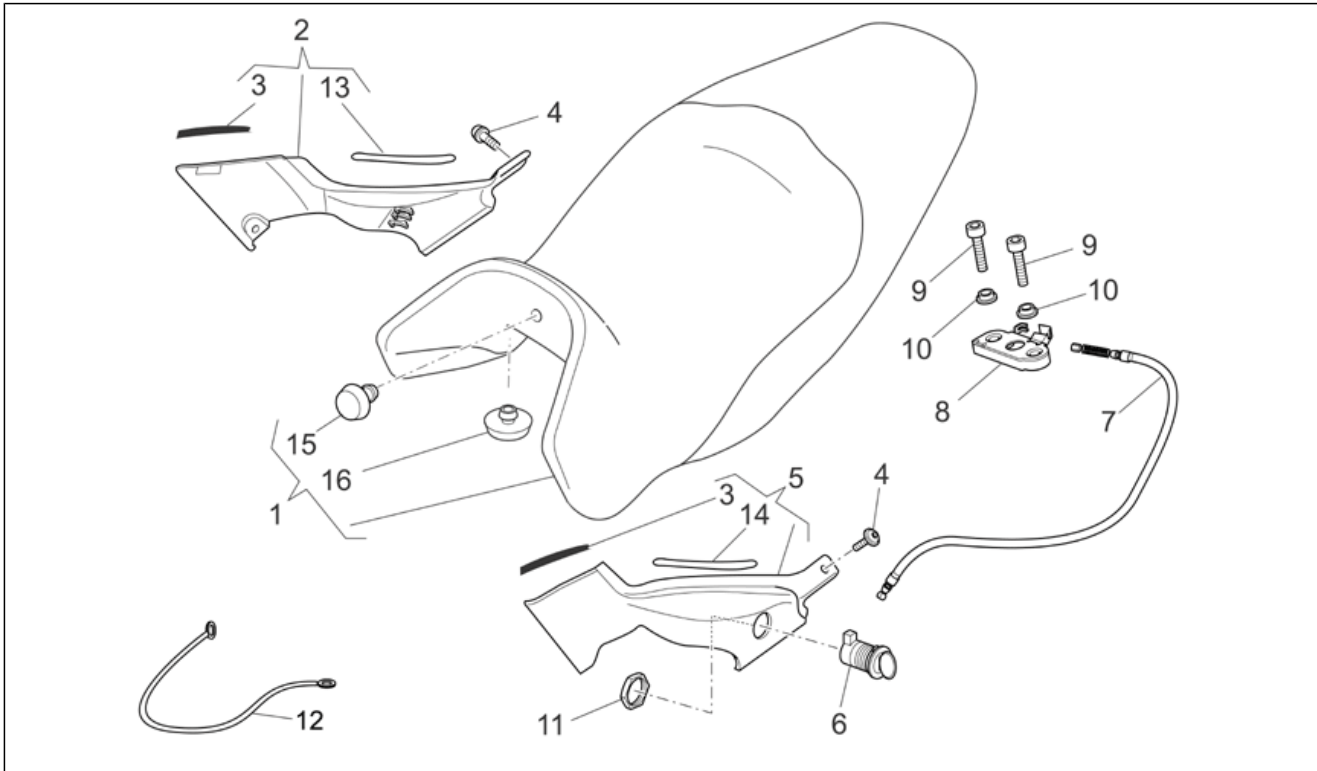
<b>Group</b>	FRAME
<b>Code</b>	33.22
<b>Description</b>	Front mudguard
<b>Service</b>	1



Pos.	Code	Description	Qty	Variants
1	GU05434330	Front mudguard blank	1	
1	GU0543433000YA1	Front mudguard, azure	1	<b>Vehicle colour:</b> Cyan 2008[az.] <b>Technical Specifications:</b> State police version[P.S.]
1	GU0543433000YG1	Front mudguard bronze	1	<b>Vehicle colour:</b> Bronze 2008[br.]
1	GU05434330F2	Front mudguard, grey	1	<b>Vehicle colour:</b> Excalibur grey 2006[e/gr]
1	GU05434330ND	Front mudguard, black	1	<b>Vehicle colour:</b> Graphite Black 2006[g/bl]
1	GU05434330Y01	Front mudguard, red	1	<b>Vehicle colour:</b> Race Red 2006[r/re]
2	AP8152302	Screw w/ flange M5x12	4	
3	AP8102375	Clip m5	2	

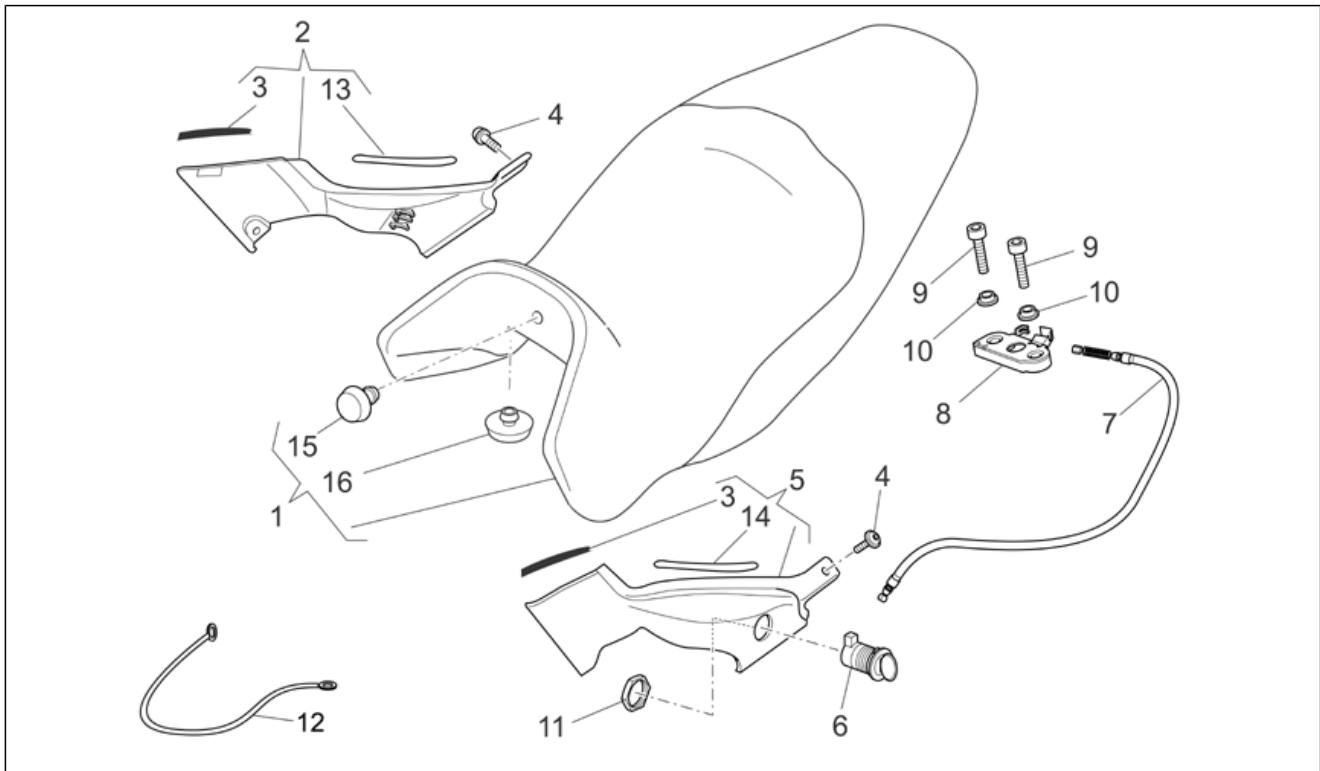


<b>Group</b>	FRAME
<b>Code</b>	33.23
<b>Description</b>	Saddle-Central bod
<b>Service</b>	1



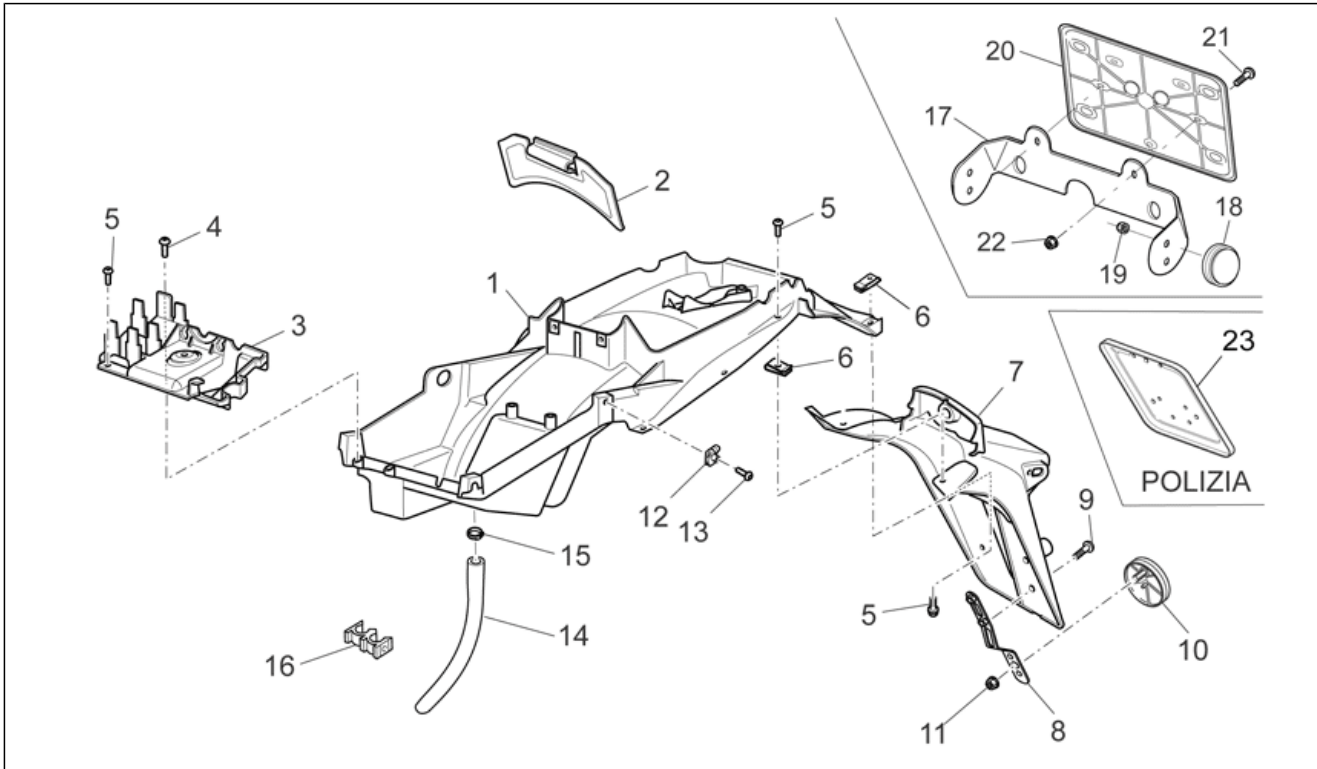
Pos.	Code	Description	Qty	Variants
1	883098	High saddle	1	<b>Technical Specifications:</b> Versione "GT"[GT], Versione "GTL"[GTL], Versione "T"[T], Versione "TL"[TL]
1	977692	Saddle, black	1	<b>Technical Specifications:</b> Versione "GT"[GT], Versione "GTL"[GTL], Versione "T"[T], Versione "TL"[TL]
2	88335600YA1	RH Side panel cyan	1	<b>Vehicle colour:</b> Cyan 2008[az.] <b>Technical Specifications:</b> State police version[P.S.]
2	GU05570230	RH body panel blank	1	
2	GU0557023000YG1	RH side panel, bronze	1	<b>Vehicle colour:</b> Bronze 2008[br.]
2	GU05570230F2	RH side panel, grey	1	<b>Vehicle colour:</b> Excalibur grey 2006[e/gr]
2	GU05570230ND	RH side panel, black	1	<b>Vehicle colour:</b> Graphite Black 2006[g/bl]
2	GU05570231	RH side panel, red	1	<b>Vehicle colour:</b> Race Red 2006[r/re]
3	AP8144538	Gasket	2	
4	AP8152339	Screw w/ flange M5x9	2	
5	88335500YA1	LH Side panel cyan	1	<b>Vehicle colour:</b> Cyan 2008[az.] <b>Technical Specifications:</b> State police version[P.S.]
5	GU05570430	LH body panel blank	1	
5	GU0557043000YG1	LH side panel, bronze	1	<b>Vehicle colour:</b> Bronze 2008[br.]
5	GU05570430F2	LH side panel, grey	1	<b>Vehicle colour:</b> Excalibur grey 2006[e/gr]
5	GU05570430ND	LH side panel, black	1	<b>Vehicle colour:</b> Graphite Black 2006[g/bl]
5	GU05570431	LH side panel, red	1	<b>Vehicle colour:</b> Race Red 2006[r/re]
6	GU05466830	Saddle lock	1	
7	AP8102914	Saddle release cable	1	
8	AP8102913	Pass.saddle connecting plate	1	
9	GU98370625	Hex socket screw	2	
10	AP8152299	Self-locking nut M6	2	
11	AP8102523	Lock nut M22x1,5	1	
12	AP8102502	Helmet lock cable	1	
13	GU05573830	RH side fairing decal	1	
14	GU05573831	LH side fairing decal	1	

<b>Group</b>	FRAME
<b>Code</b>	33.23
<b>Description</b>	Saddle-Central bod
<b>Service</b>	1



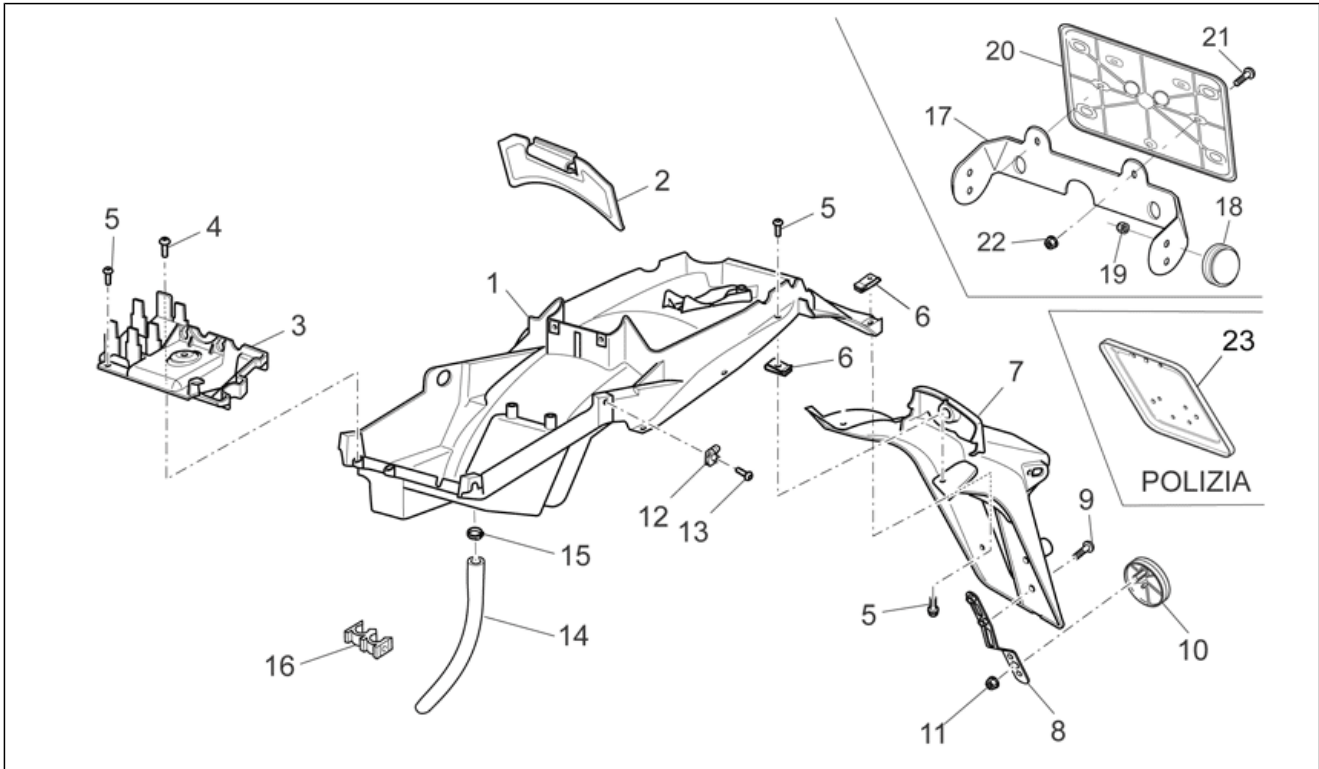
Pos.	Code	Description	Qty	Variants
15	GU32461810	Rubber spacer	5	
16	GU32461610	Rubber spacer	10	

<b>Group</b>	FRAME
<b>Code</b>	33.24
<b>Description</b>	Rear body - Mudguard
<b>Service</b>	1



Pos.	Code	Description	Qty	Variants
1	883828	Splash guard	1	<b>Vehicle colour:</b> Vehicle with YT20-BS battery[D] <b>Technical Specifications:</b> Versione "GT"[GT], Versione "GTL"[GTL], Versione "T"[T], Versione "TL"[TL]
1	883864	Splash guard	1	<b>Vehicle colour:</b> Vehicle with YT20-BS battery[D] <b>Technical Specifications:</b> State police version[P.S.]
1	978114	Splash guard	1	<b>Vehicle colour:</b> vehicles with battery YTX20CH -BS[C] <b>Technical Specifications:</b> State police version[P.S.]
1	GU05438730	Splash guard	1	<b>Vehicle colour:</b> vehicles with battery YTX20CH -BS[C] <b>Technical Specifications:</b> Versione "GT"[GT], Versione "GTL"[GTL], Versione "T"[T], Versione "TL"[TL]
2	GU05479630	Door	1	<b>Technical Specifications:</b> Versione "GT"[GT], Versione "GTL"[GTL], Versione "T"[T], Versione "TL"[TL]
3	GU05780530	Maintenance	1	
4	AP8152329	Phillips screw, SWP M5x20	3	
5	AP8152339	Screw w/ flange M5x9	7	
6	AP8102375	Clip m5	4	
7	977968	Number plate holder	1	<b>Technical Specifications:</b> State police version[P.S.]
7	GU05438630	Number plate holder	1	<b>Technical Specifications:</b> Versione "GT"[GT], Versione "GTL"[GTL], Versione "T"[T], Versione "TL"[TL]
8	AP8134448	Reflector support	1	
9	AP8152267	Hex socket screw M5x12	2	
10	AP8224164	Rear reflector, red	1	
11	AP8152306	Self-locking nut m5	1	
12	GU28576591	Clip M6	6	
13	GU98370614	Hex socket screw M6x14	6	
14	AP8120952	Fuel pipe 5,5x10	1	
15	AP8101595	Hose clamp D10,1	1	
16	AP8201808	Cable-guide D8	2	
17	AP8258253	Rear reflector support	1	<b>Country:</b> United States of America[USA]
18	AP8224164	Rear reflector, red	2	<b>Country:</b> United States of America[USA]

<b>Group</b>	FRAME
<b>Code</b>	33.24
<b>Description</b>	Rear body - Mudguard
<b>Service</b>	1

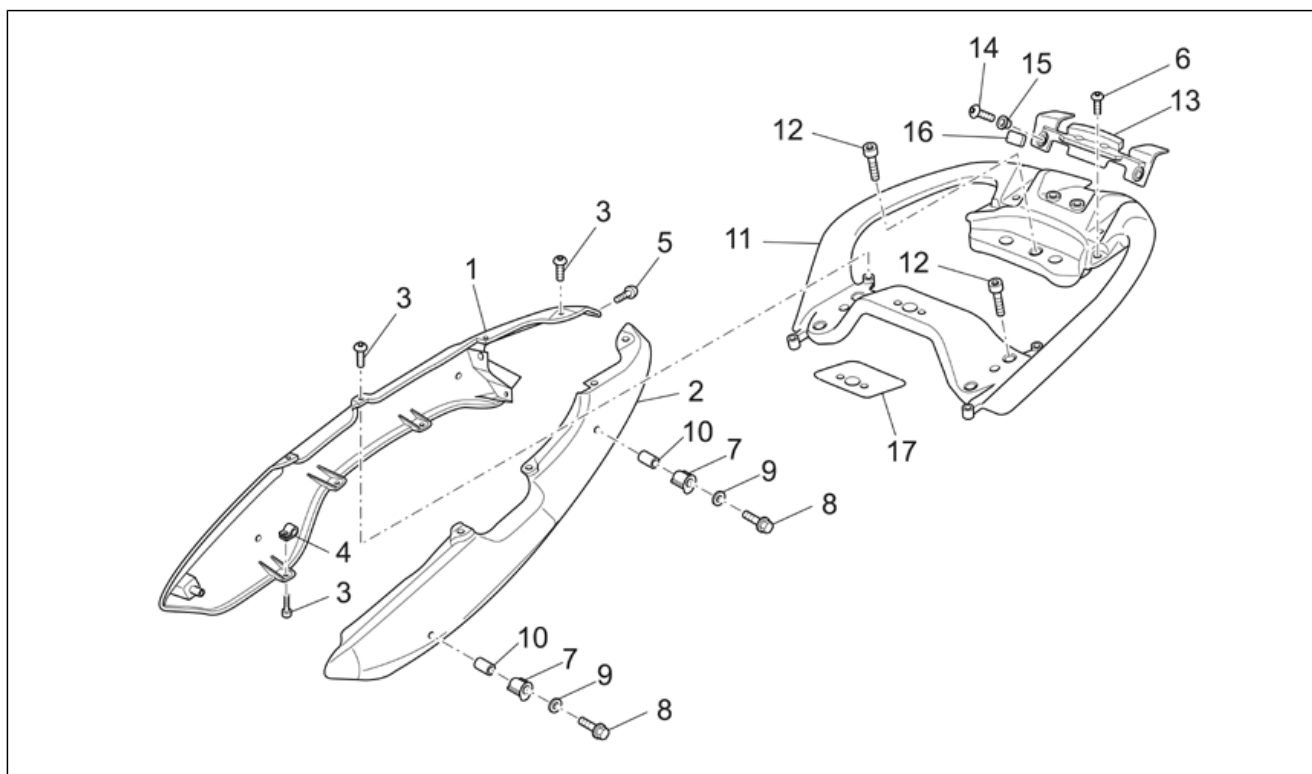


Pos.	Code	Description	Qty	Variants
19	AP8152306	Self-locking nut m5	2	<b>Country:</b> United States of America[USA]
20	AP8149034	Number plate support	1	<b>Country:</b> United States of America[USA]
21	GU98210616	Screw w/ flange M6x16 inox	2	<b>Country:</b> United States of America[USA]
22	AP8152299	Self-locking nut M6	2	<b>Country:</b> United States of America[USA]
23	GU80438610	Number plate holder	1	<b>Technical Specifications:</b> State police version[P.S.]



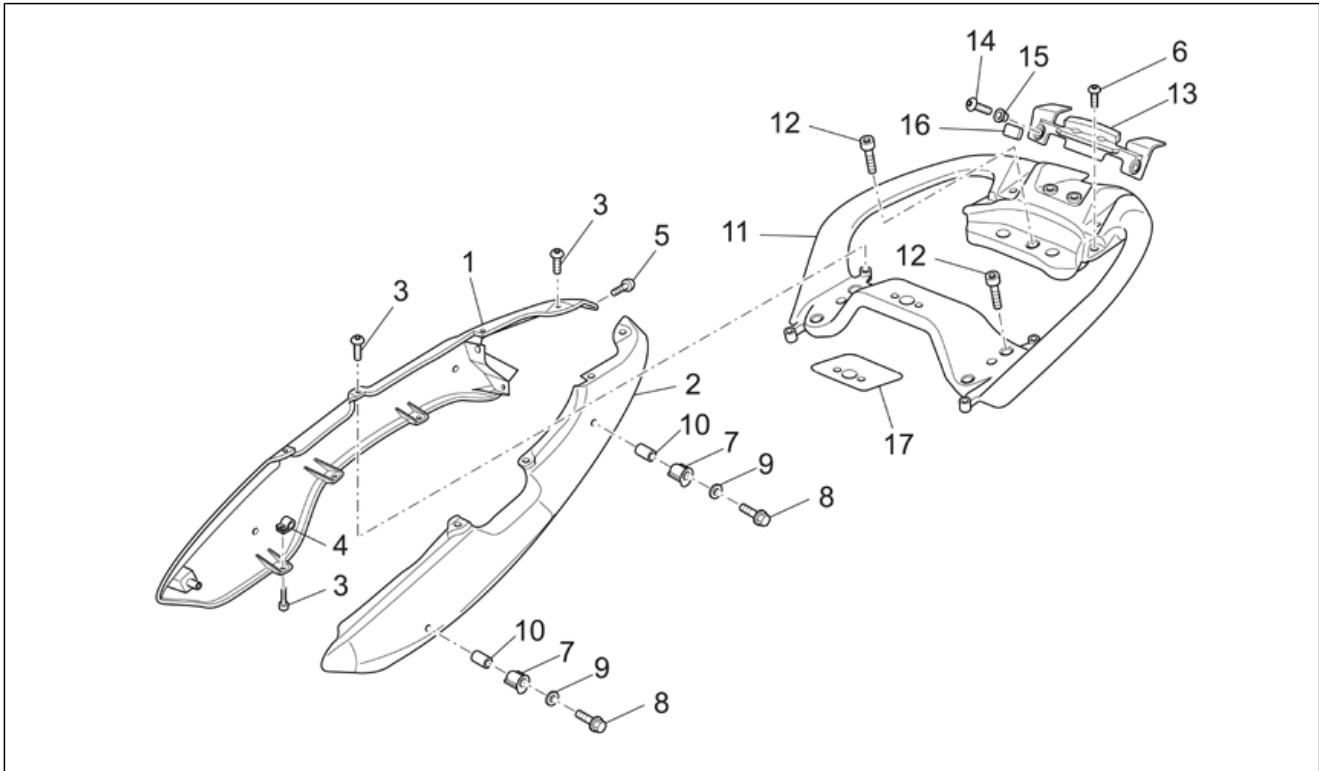


<b>Group</b>	FRAME
<b>Code</b>	33.25
<b>Description</b>	Rear body - Rear fairing
<b>Service</b>	1



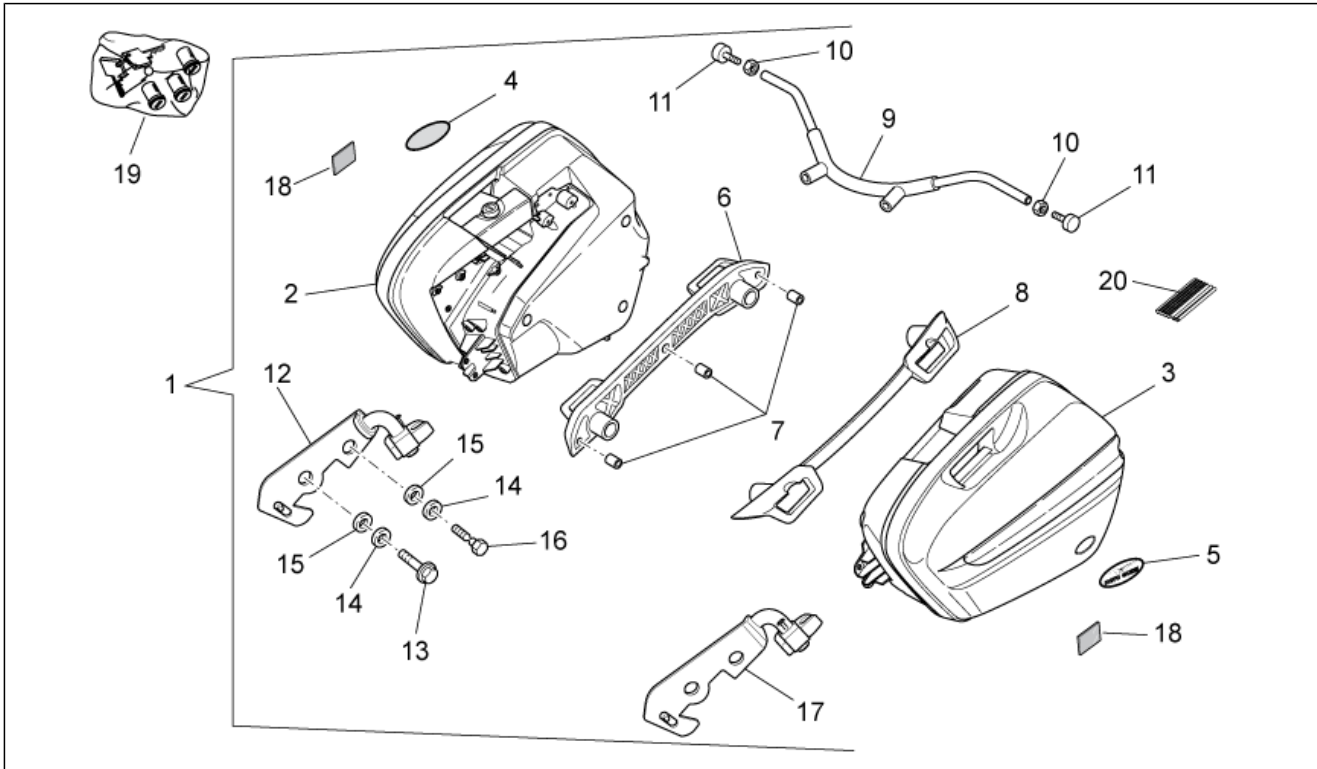
Pos.	Code	Description	Qty	Variants
1	97796500YA1	RH rear fairing, cyan	1	<b>Vehicle colour:</b> Cyan 2008[az.] <b>Technical Specifications:</b> State police version[P.S.]
1	GU05573230	RH rear fairing, blank	1	<b>Vehicle colour:</b> Bronze 2008[br.], Excalibur grey 2006[e/gr], Graphite Black 2006[g/bl], Race Red 2006[r/re]
1	GU0557323000YG1	RH rear fairing, bronze	1	<b>Vehicle colour:</b> Bronze 2008[br.]
1	GU05573230F2	RH rear fairing, grey	1	<b>Vehicle colour:</b> Excalibur grey 2006[e/gr]
1	GU05573230ND	RH rear fairing, black	1	<b>Vehicle colour:</b> Graphite Black 2006[g/bl]
1	GU05573230Y01	RH rear fairing, red	1	<b>Vehicle colour:</b> Race Red 2006[r/re]
2	97796400YA1	LH rear fairing, cyan	1	<b>Vehicle colour:</b> Cyan 2008[az.] <b>Technical Specifications:</b> State police version[P.S.]
2	GU05573330	LH rear fairing, blank	1	<b>Vehicle colour:</b> Bronze 2008[br.], Excalibur grey 2006[e/gr], Graphite Black 2006[g/bl], Race Red 2006[r/re]
2	GU0557333000YG1	LH rear fairing, bronze	1	<b>Vehicle colour:</b> Bronze 2008[br.]
2	GU05573330F2	LH rear fairing, grey	1	<b>Vehicle colour:</b> Excalibur grey 2006[e/gr]
2	GU05573330ND	LH rear fairing, black	1	<b>Vehicle colour:</b> Graphite Black 2006[g/bl]
2	GU05573330Y01	LH rear fairing, red	1	<b>Vehicle colour:</b> Race Red 2006[r/re]
3	AP8152339	Screw w/ flange M5x9	10	
4	AP8102375	Clip m5	10	
5	GU98682215	Hex socket screw	2	
6	AP8152302	Screw w/ flange M5x12	2	
7	GU05467330	Hook	4	
8	AP8152292	Screw w/ flange	4	
9	GU03270300	Washer 8,4x15	4	
10	GU91120924	Spacer 9x18x24	4	
11	977785	Handle	1	<b>Technical Specifications:</b> Versione "GT"[GT], Versione "GTL"[GTL], Versione "T"[T], Versione "TL"[TL]
11	978069	Handle	1	<b>Technical Specifications:</b> State police version[P.S.]
12	GU98682425	Hex socket screw M8x25	5	
13	GU05464830	Cover	1	

<b>Group</b>	FRAME
<b>Code</b>	33.25
<b>Description</b>	Rear body - Rear fairing
<b>Service</b>	1



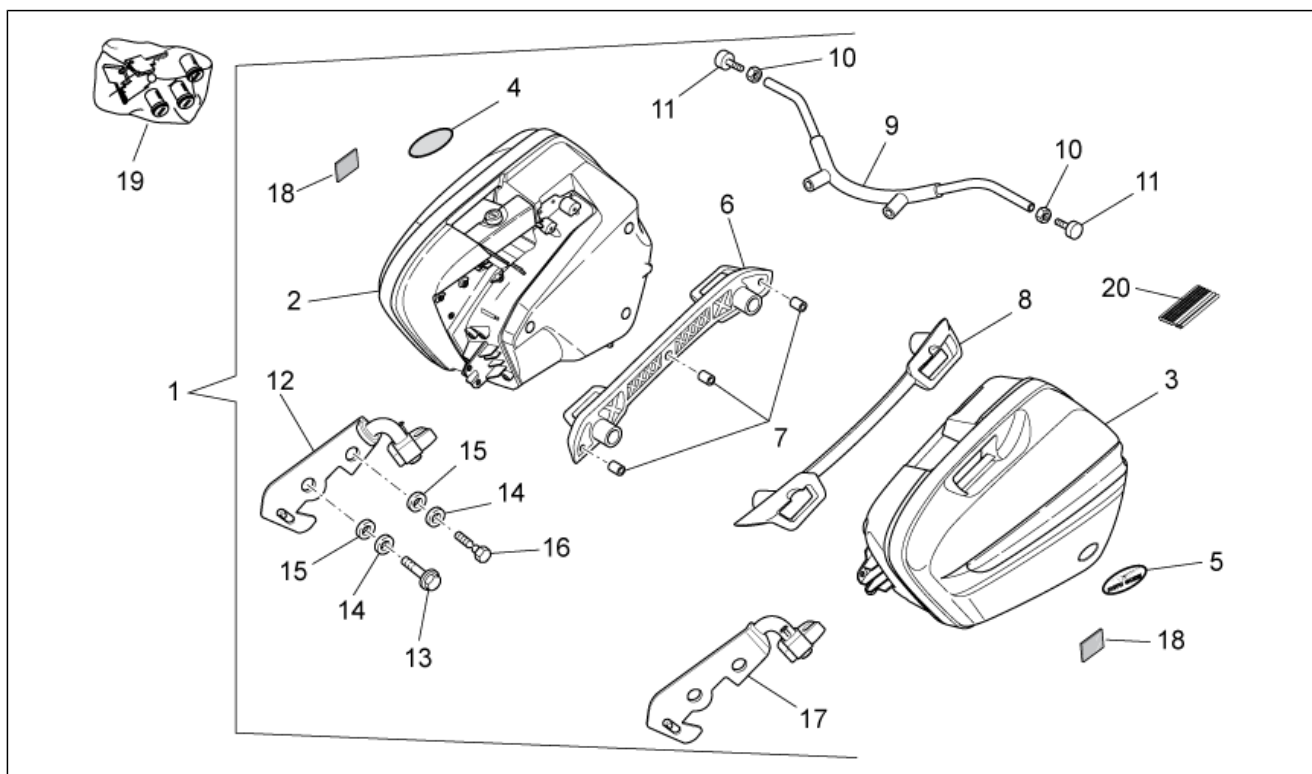
Pos.	Code	Description	Qty	Variants
14	AP8152055	Hex socket screw M8x12	2	
15	AP8121096	T bush 8,2x12x4	2	
16	AP8120455	Rubber spacer	2	
17	GU32944210	Guard decal	1	

<b>Group</b>	FRAME
<b>Code</b>	33.26
<b>Description</b>	Side cases
<b>Service</b>	1



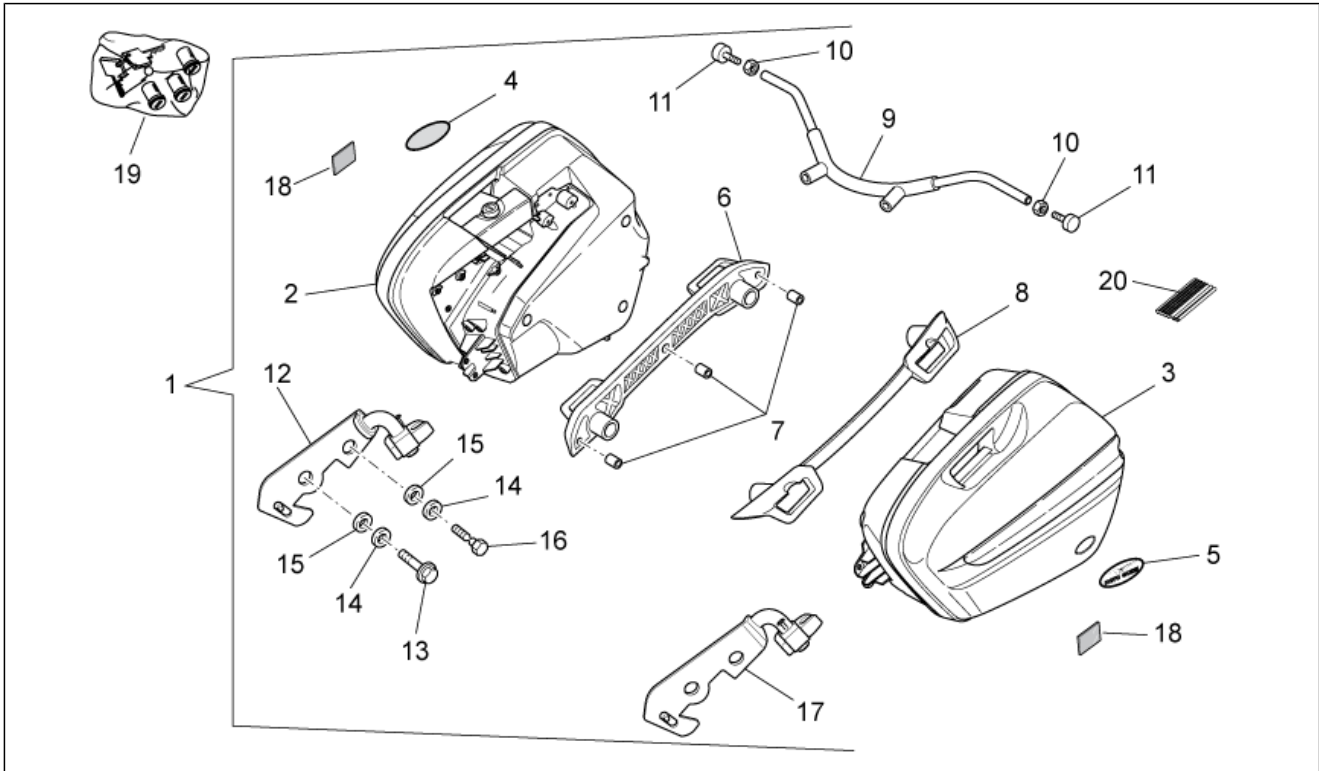
Pos.	Code	Description	Qty	Variants
1	97770600YG1	Saddlebags kit, bronze 40L	1	<b>Vehicle colour:</b> Bronze 2008[br.] <b>Technical Specifications:</b> Versione "GT"[GT], Versione "GTL"[GTL]
1	977706F2	Suitcase kit	1	<b>Vehicle colour:</b> Excalibur grey 2006[e/gr] <b>Technical Specifications:</b> Versione "GT"[GT], Versione "GTL"[GTL]
1	977706ND	Saddlebags kit, black 40L	1	<b>Vehicle colour:</b> Graphite Black 2006[g/bl] <b>Technical Specifications:</b> Versione "GT"[GT], Versione "GTL"[GTL]
1	977706Y01	Saddlebags kit, red 40L	1	<b>Vehicle colour:</b> Race Red 2006[r/re] <b>Technical Specifications:</b> Versione "GT"[GT], Versione "GTL"[GTL]
2	97720100YG1	RH case,bronze 40L	1	<b>Vehicle colour:</b> Bronze 2008[br.] <b>Technical Specifications:</b> Versione "GT"[GT], Versione "GTL"[GTL]
2	977201F2	RH suitcase, grey	1	<b>Vehicle colour:</b> Excalibur grey 2006[e/gr] <b>Technical Specifications:</b> Versione "GT"[GT], Versione "GTL"[GTL]
2	977201ND	RH case, black 40L	1	<b>Vehicle colour:</b> Graphite Black 2006[g/bl] <b>Technical Specifications:</b> Versione "GT"[GT], Versione "GTL"[GTL]
2	977201Y01	RH case, red 40L	1	<b>Vehicle colour:</b> Race Red 2006[r/re] <b>Technical Specifications:</b> Versione "GT"[GT], Versione "GTL"[GTL]
3	97720200YG1	LH case, bronze 40L	1	<b>Vehicle colour:</b> Bronze 2008[br.] <b>Technical Specifications:</b> Versione "GT"[GT], Versione "GTL"[GTL]
3	977202F2	LH suitcase, grey	1	<b>Vehicle colour:</b> Excalibur grey 2006[e/gr] <b>Technical Specifications:</b> Versione "GT"[GT], Versione "GTL"[GTL]
3	977202ND	LH case, black 40L	1	<b>Vehicle colour:</b> Graphite Black 2006[g/bl] <b>Technical Specifications:</b> Versione "GT"[GT], Versione "GTL"[GTL]
3	977202Y01	LH case, red 40L	1	<b>Vehicle colour:</b> Race Red 2006[r/re]

<b>Group</b>	FRAME
<b>Code</b>	33.26
<b>Description</b>	Side cases
<b>Service</b>	1



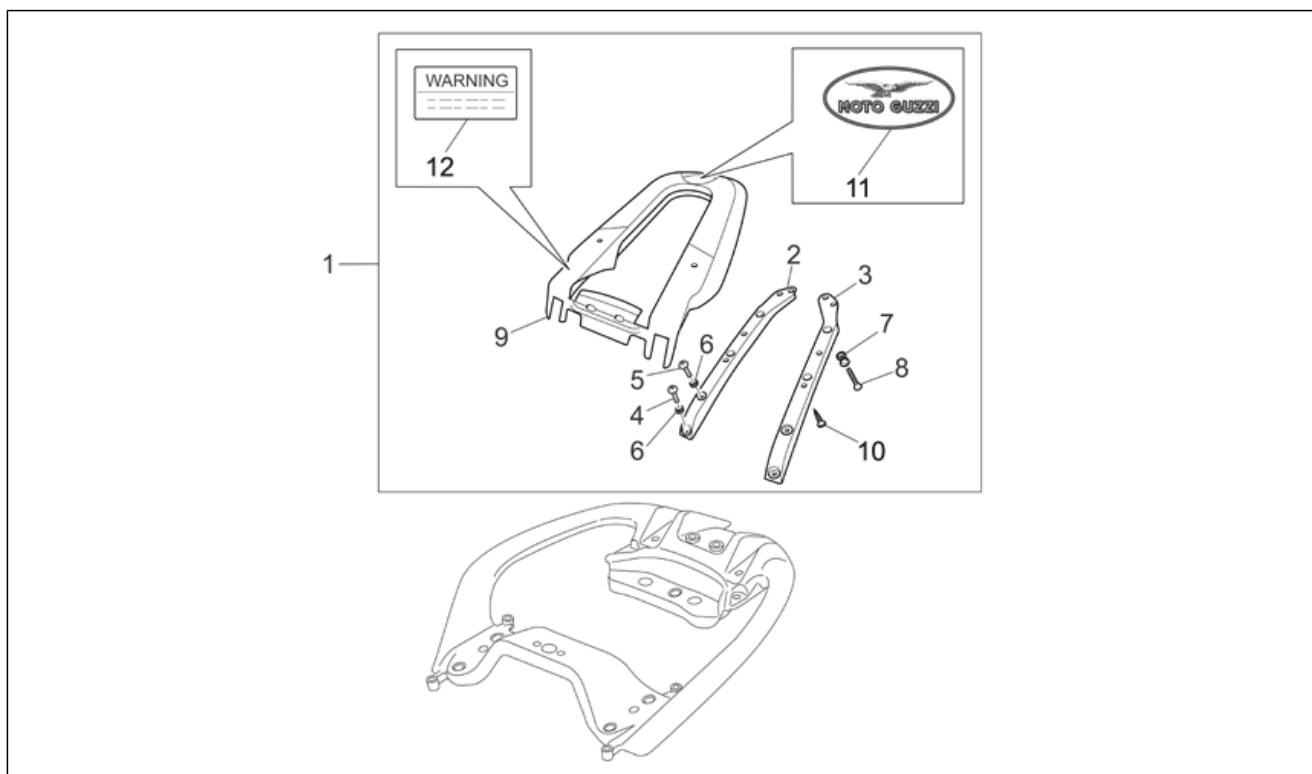
Pos.	Code	Description	Qty	Variants
				<b>Technical Specifications:</b> Versione "GT"[GT], Versione "GTL"[GTL]
4	977303	"Moto Guzzi" dataplate	1	<b>Technical Specifications:</b> Versione "GT"[GT], Versione "GTL"[GTL]
5	977218	Aluminium plate	1	<b>Technical Specifications:</b> Versione "GT"[GT], Versione "GTL"[GTL]
6	GU05485030	RH support	1	<b>Technical Specifications:</b> Versione "GT"[GT], Versione "GTL"[GTL]
7	AP8144629	Rubber spacer *	6	<b>Technical Specifications:</b> Versione "GT"[GT], Versione "GTL"[GTL]
8	GU05486530	LH support	1	<b>Technical Specifications:</b> Versione "GT"[GT], Versione "GTL"[GTL]
9	977735	Side case connect.crosspiece	1	<b>Technical Specifications:</b> Versione "GT"[GT], Versione "GTL"[GTL]
10	AP8150333	Serpress nut	2	<b>Technical Specifications:</b> Versione "GT"[GT], Versione "GTL"[GTL]
11	AP8706329	Saddle rubber	2	<b>Technical Specifications:</b> Versione "GT"[GT], Versione "GTL"[GTL]
12	GU05485130	RH connecting *	1	<b>Technical Specifications:</b> Versione "GT"[GT], Versione "GTL"[GTL]
13	AP8152278	Screw w/ flange M6x16	2	<b>Technical Specifications:</b> Versione "GT"[GT], Versione "GTL"[GTL]
14	AP8150429	Spring washer 6,4x11x0,5*	2	<b>Technical Specifications:</b> Versione "GT"[GT], Versione "GTL"[GTL]
15	AP8150015	Washer 6,6x18x1,6*	2	<b>Technical Specifications:</b> Versione "GT"[GT], Versione "GTL"[GTL]
16	AP8152140	Shear rivet M6x17	2	<b>Technical Specifications:</b> Versione "GT"[GT], Versione "GTL"[GTL]
17	GU05486630	LH connecting	1	<b>Technical Specifications:</b> Versione "GT"[GT], Versione "GTL"[GTL]
18	AP8706314	Reflector	2	<b>Country:</b> United States of America[USA] <b>Technical Specifications:</b> Versione "GT"[GT], Versione "GTL"[GTL]

<b>Group</b>	FRAME
<b>Code</b>	33.26
<b>Description</b>	Side cases
<b>Service</b>	1



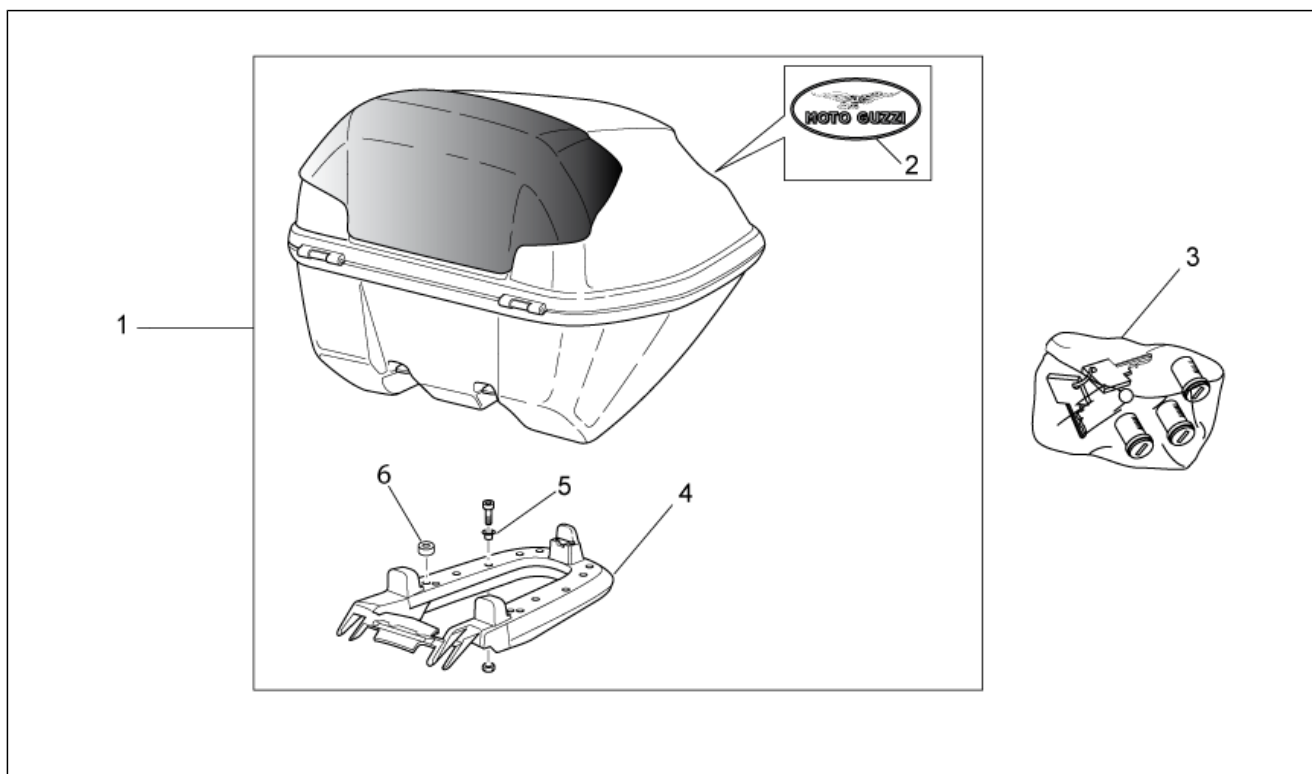
Pos.	Code	Description	Qty	Variants
19	978220	Rotor kit with key	1	<b>Technical Specifications:</b> Versione "GTL"[GTL]
20	883246	Guarnizione di tenuta coperchi valigie	2	<b>Technical Specifications:</b> Versione "GT"[GT], Versione "GTL"[GTL]

<b>Group</b>	FRAME
<b>Code</b>	33.27
<b>Description</b>	Luggage rack
<b>Service</b>	1



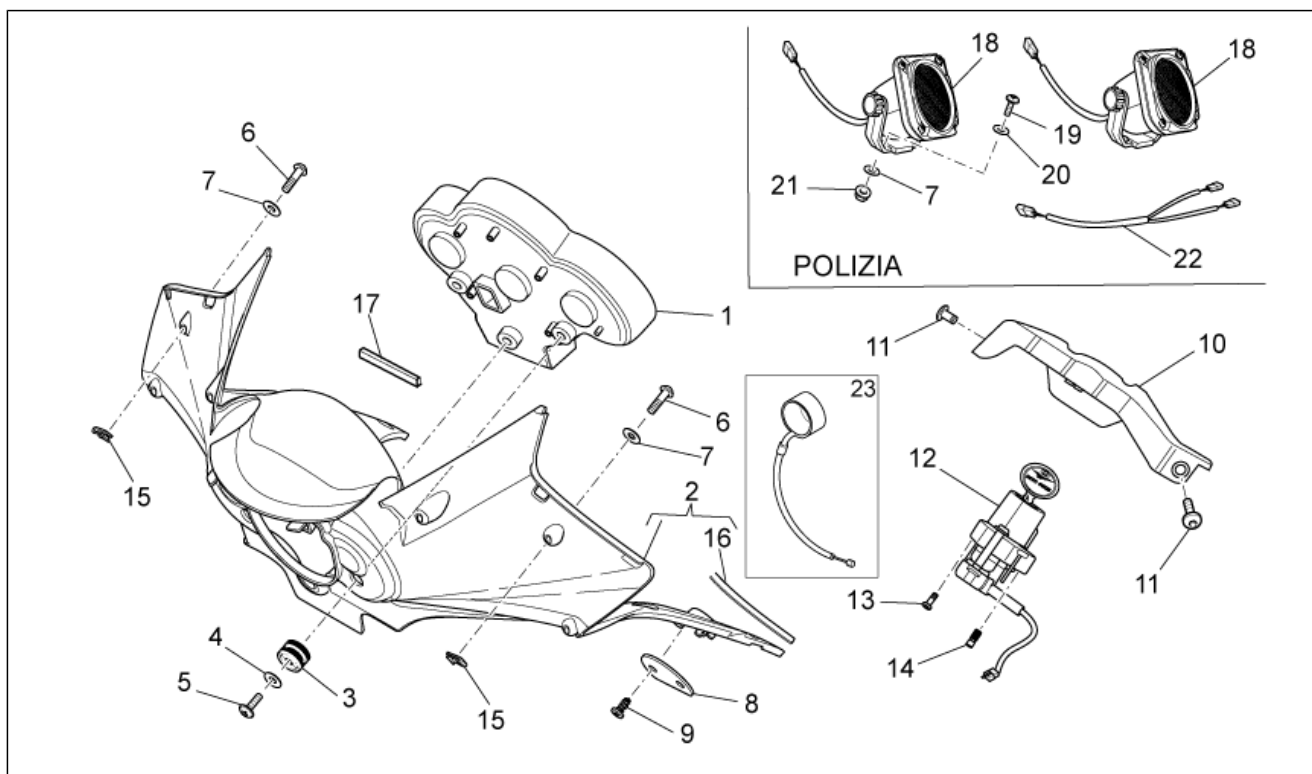
Pos.	Code	Description	Qty	Variants
1	GU05677230	Luggage rack kit	1	Technical Specifications:Versione "GTL"[GTL]
2	GU05466630	RH lugg.rack support	1	Technical Specifications:Versione "GTL"[GTL]
3	GU05466631	LH lugg.rack support	1	Technical Specifications:Versione "GTL"[GTL]
4	GU98230820	Hex socket screw M8x20	2	Technical Specifications:Versione "GTL"[GTL]
5	GU98350430	Hex socket screw M8x30	2	Technical Specifications:Versione "GTL"[GTL]
6	AP8152154	Washer 8,4x13*	4	Technical Specifications:Versione "GTL"[GTL]
7	AP8121890	Rear stand bush	2	Technical Specifications:Versione "GTL"[GTL]
8	GU98250635	Screw M6x35	2	Technical Specifications:Versione "GTL"[GTL]
9	GU05468230	Luggage rack cover	1	Technical Specifications:Versione "GTL"[GTL]
10	AP8150509	Self-tap screw 5x14	4	Technical Specifications:Versione "GTL"[GTL]
11	977303	"Moto Guzzi" dataplate	1	Technical Specifications:Versione "GTL"[GTL]
12	AP8157631	Name plate	1	Technical Specifications:Versione "GTL"[GTL]

<b>Group</b>	FRAME
<b>Code</b>	33.28
<b>Description</b>	Top box
<b>Service</b>	1



Pos.	Code	Description	Qty	Variants
1	977705F2	Top box kit grigio 45L	1	Vehicle colour:Excalibur grey 2006[e/gr] Technical Specifications:Versione "GTL"[GTL]
1	977705ND	Top box kit nero 45L	1	Vehicle colour:Graphite Black 2006[g/bl] Technical Specifications:Versione "GTL"[GTL]
1	977705Y01	Top box kit rosso 45L	1	Vehicle colour:Race Red 2006[r/re] Technical Specifications:Versione "GTL"[GTL]
2	GU03482070	Moto Guzzi RH decal	1	Technical Specifications:Versione "GTL"[GTL]
3	978220	Rotor kit with key	1	Technical Specifications:Versione "GTL"[GTL]
4	883147	Maintenance	1	
5	977921	Bushing 7,2x9,5x4	2	
6	978234	Antivibration bush	4	

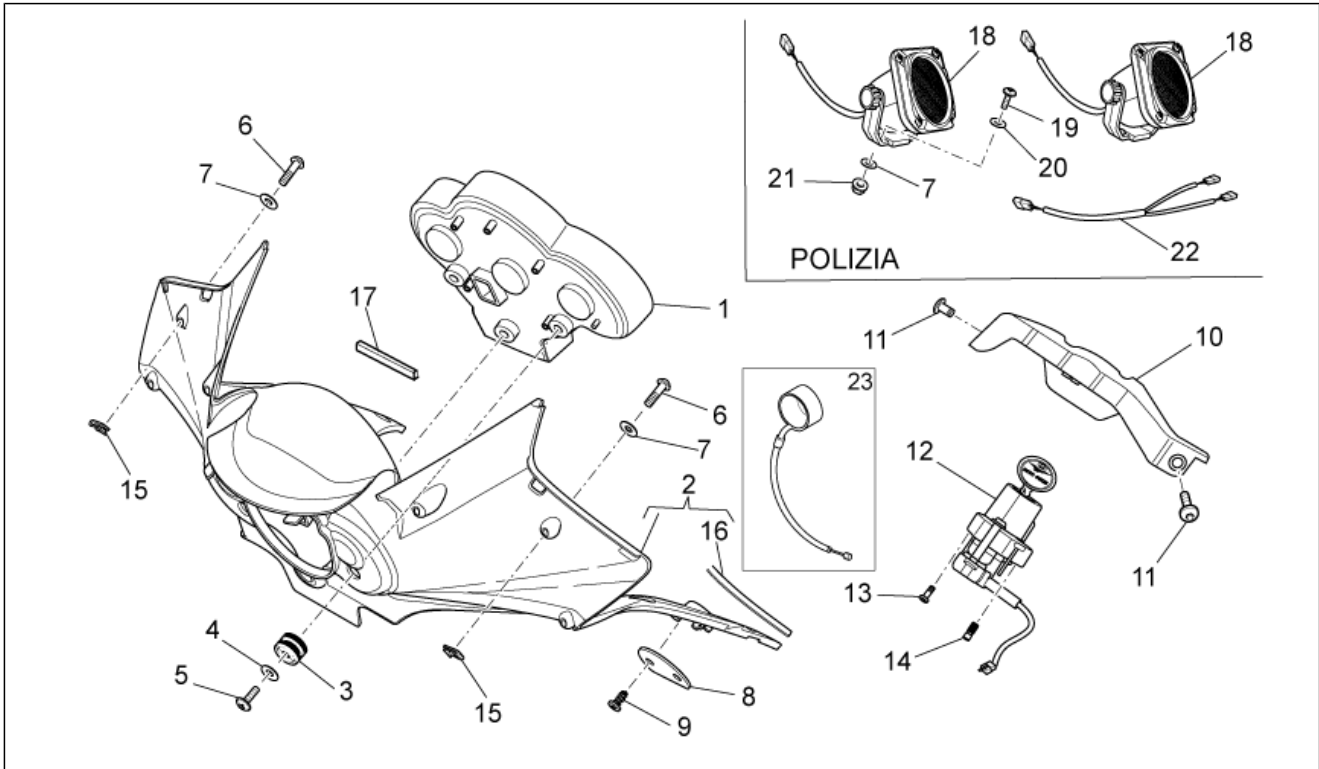
<b>Group</b>	FRAME
<b>Code</b>	33.29
<b>Description</b>	Dashboard
<b>Service</b>	1



Pos.	Code	Description	Qty	Variants
1	883344	Dashboard complete	1	Country:Great Britain[UK], United States of America[USA]
1	977523	Dashboard complete	1	Country:Australia[AUS], Other country[EU], Japan[J]
2	883354	Dashboard panel	1	Technical Specifications:State police version[P.S.]
2	977852	Dashboard panel	1	Technical Specifications:Versione "GTL"[GTL], Versione "TL"[TL]
2	977857	Dashboard panel	1	Technical Specifications:Versione "GT"[GT], Versione "T"[T]
3	AP8220150	Rubber spacer	3	
4	AP8150255	Washer 5x20x1,5	3	
5	AP8150509	Self-tap screw 5x14	3	
6	AP8150493	Hex socket screw M4x16	8	
7	AP8144565	Nylon washer	12	
8	977150	Fixing plate	1	
9	AP8150421	Self-tap screw 2,9x12	2	
10	977670F2	Handlebar cover, grey	1	Technical Specifications:State police version[P.S.]
10	977670F2	Handlebar cover, grey	1	Technical Specifications:1st Serie[1A], Valid for TOM TOM 1a series support[T1]
10	97857200F2	Handlebar cover, grey	1	Technical Specifications:2nd Serie[2A], valid for TOM TOM 2a series support[T2]
11	AP8152339	Screw w/ flange M5x9	2	
12	GU05782530	Main switch - steering lock	1	
13	GU98682430	Hex socket screw M8x30	1	
14	AP8152238	Shear rivet M8x28	1	
15	AP8102381	Clip M4	6	
16	978589	Gasket	2	
17	GU01573960	Vibration-damping rubber	1	
18	883387	Loudspeaker	2	Technical Specifications:State police version[P.S.]
19	GU98370412	Hex socket screw M4x12	4	Technical Specifications:State police version[P.S.]
20	GU95008204	Washer 4,3x8x0,5	4	Technical Specifications:State police version[P.S.]
21	GU92630104	Nut M4x0,7	4	Technical Specifications:State police version[P.S.]

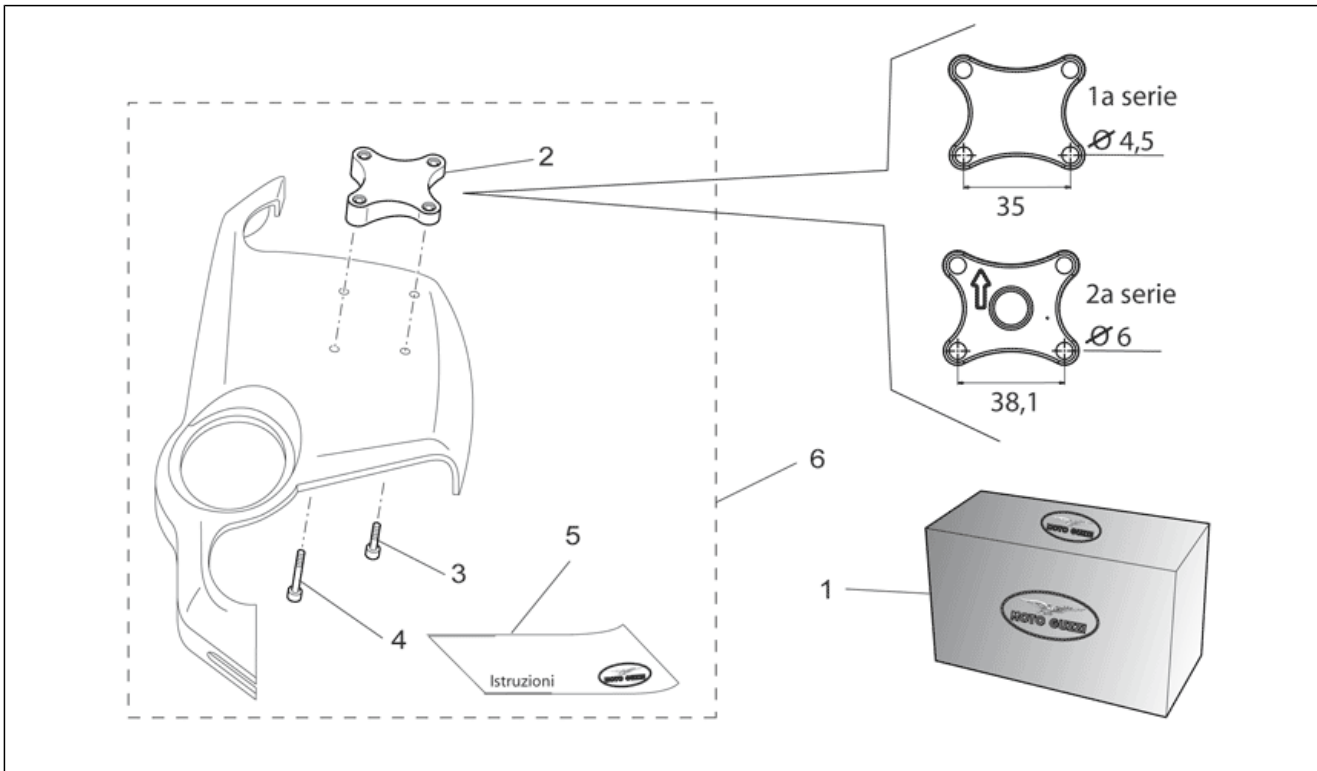


<b>Group</b>	FRAME
<b>Code</b>	33.29
<b>Description</b>	Dashboard
<b>Service</b>	1



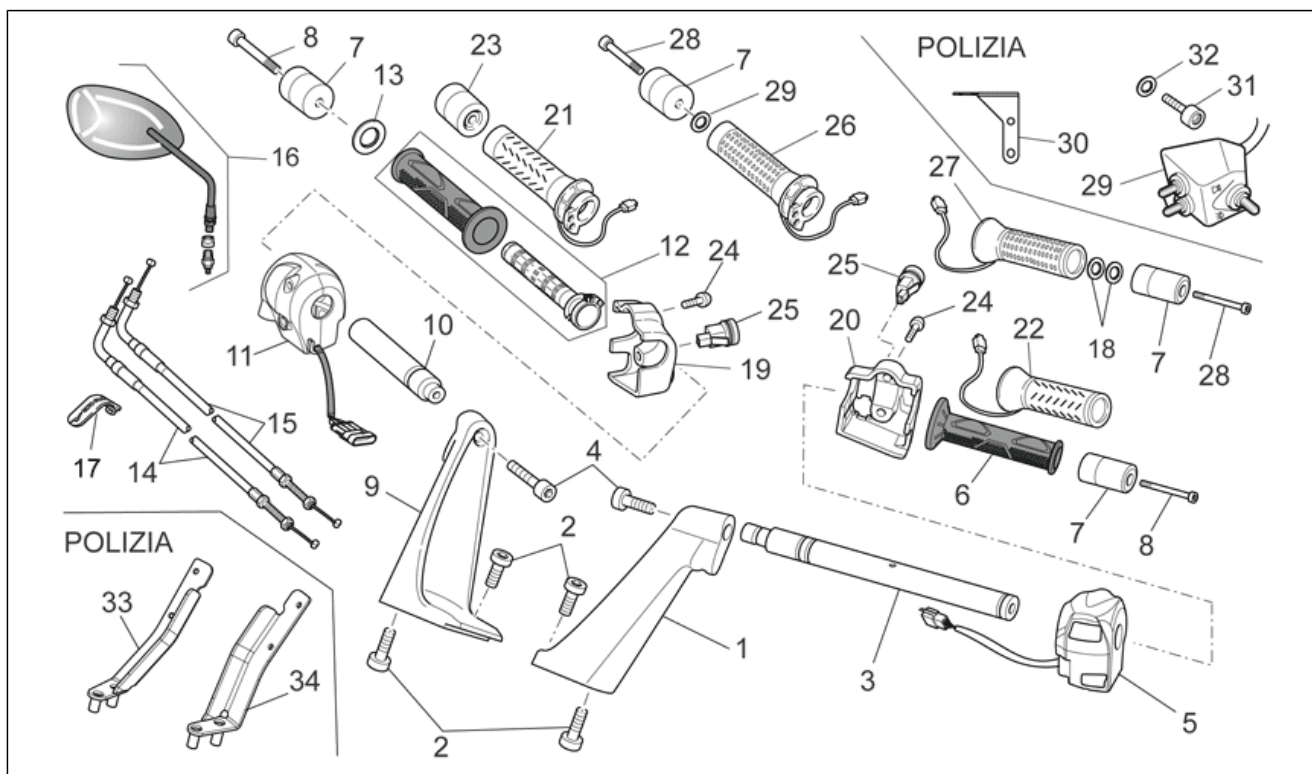
Pos.	Code	Description	Qty	Variants
22	883400	Speakers Wiring	1	<b>Technical Specifications:</b> State police version[P.S.]
23	981087	Immobilizer antenna	1	

<b>Group</b>	FRAME
<b>Code</b>	33.30
<b>Description</b>	GPS Navigator TomTom Rider
<b>Service</b>	1



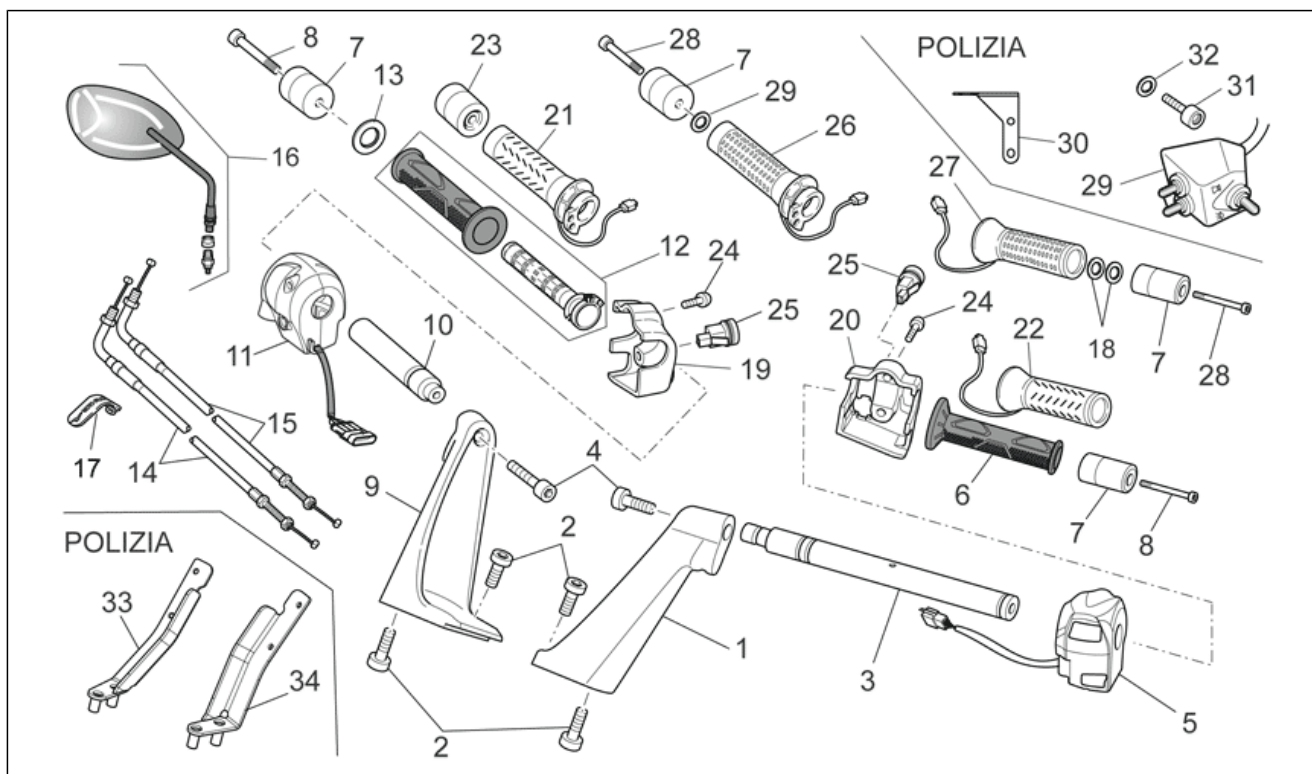
Pos.	Code	Description	Qty	Variants
1	978585	GPS Navigator TomTom Rider	1	<b>Country:</b> Other country[EU] <b>Technical Specifications:</b> 2nd Serie[2A], Versione "GTL"[GTL]
1	978586	GPS Navigator TomTom Rider	1	<b>Country:</b> United States of America[USA] <b>Technical Specifications:</b> 2nd Serie[2A], Versione "GTL"[GTL]
1	978587	GPS Navigator TomTom Rider	1	<b>Country:</b> Australia[AUS] <b>Technical Specifications:</b> 2nd Serie[2A], Versione "GTL"[GTL]
2	977132	Maintenance	1	<b>Technical Specifications:</b> 1st Serie[1A], Versione "GTL"[GTL]
2	978574	Maintenance 38,1 mm	1	<b>Technical Specifications:</b> 2nd Serie[2A], Versione "GTL"[GTL]
3	977919	Screw M3x16	2	<b>Technical Specifications:</b> 1st Serie[1A], Versione "GTL"[GTL]
3	GU98250516	screw	2	<b>Technical Specifications:</b> 2nd Serie[2A], Versione "GTL"[GTL]
4	977920	Screw M3x20	2	<b>Technical Specifications:</b> 1st Serie[1A], Versione "GTL"[GTL]
4	GU98250525	Screw	2	<b>Technical Specifications:</b> 2nd Serie[2A], Versione "GTL"[GTL]
5	000000000	Instructions sheet	1	<b>Technical Specifications:</b> Versione "GTL"[GTL]
6	977708	Support kit	1	<b>Technical Specifications:</b> 2nd Serie[2A], Versione "GTL"[GTL]

<b>Group</b>	FRAME
<b>Code</b>	33.31
<b>Description</b>	Handlebar - Controls
<b>Service</b>	1



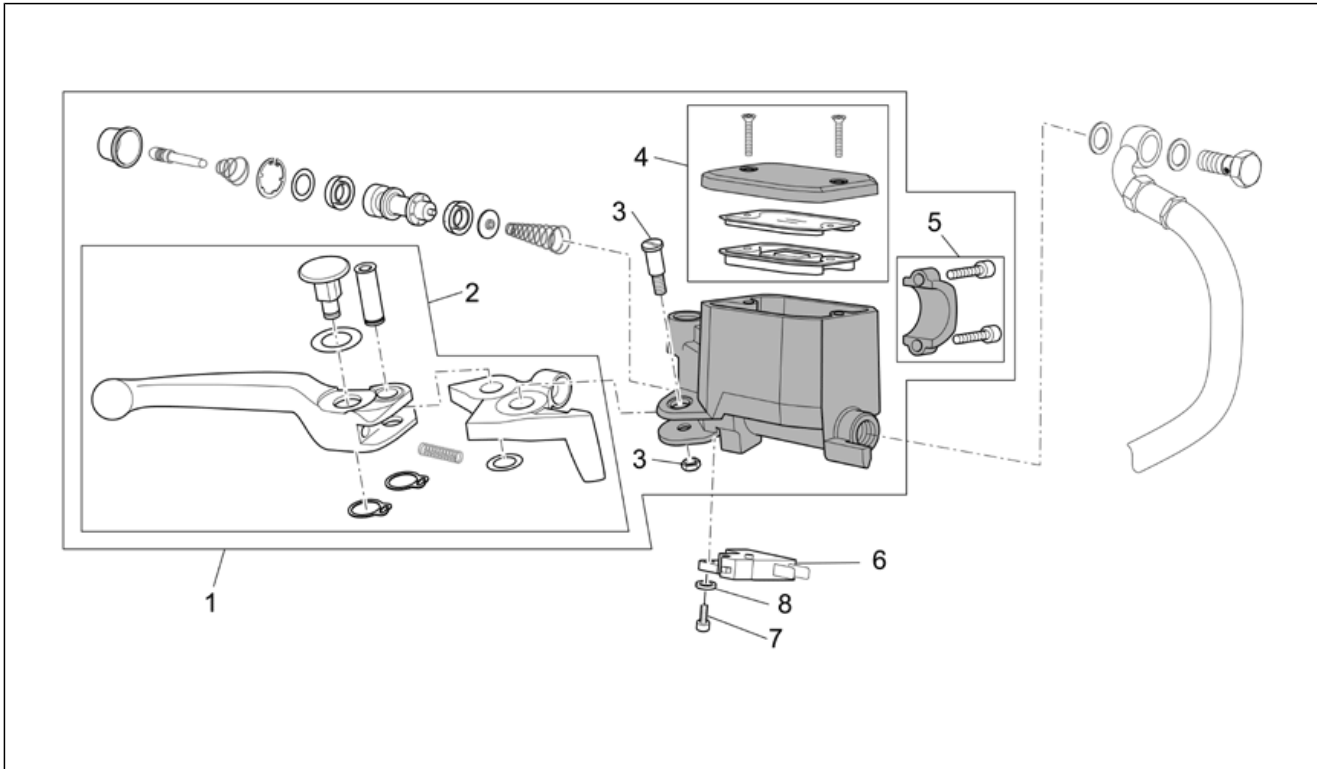
Pos.	Code	Description	Qty	Variants
1	977784	Left half handlebar	1	
2	GU98692425	Hex socket screw M8x25	6	
3	GU05600930	LH handlebar tube	1	
4	GU98692430	Hex socket screw M8x30	2	
5	977522	LH lights selector	1	
6	AP8118579	LH hand grip	1	
7	AP8104572	Anti.v weight, black	2	
8	GU98680360	Hex socket screw M6x60	2	
9	977783	Right half handlebar	1	
10	GU05600230	RH handlebar tube	1	
11	977780	RH lights selector	1	<b>Technical Specifications:</b> Yellow stamp inside[YL]
11	AP8127648	RH lights selector	1	
12	GU01603480	RH hand grip	1	
13	977679	Nylon washer	1	
14	977677	Gas trasmission delivery	1	
15	977678	Gas trasmission return	1	<b>Technical Specifications:</b> Versione "T"[T], Versione "TL"[TL]
15	978136	Gas trasmission return	1	<b>Technical Specifications:</b> Versione "GT"[GT], Versione "GTL"[GTL]
16	883802	RH/LH rearview mirror	2	<b>Vehicle colour:</b> marcato "FU E11 81R-001047"[B]
16	978570	RH/LH rearview mirror	2	<b>Vehicle colour:</b> marked "FAR"[A]
17	GU01609630	Hose clamp L46 mm	2	
17	GU03609600	Hose clamp L36 mm	4	
18	GU05604630	Spacer 6x21x4	3	<b>Technical Specifications:</b> 2nd Serie[2A], Versione "GT"[GT], Versione "GTL"[GTL]
19	977628	RH U-bolt	1	<b>Technical Specifications:</b> Versione "GTL"[GTL], Versione "TL"[TL]
19	977630	RH U-bolt	1	<b>Technical Specifications:</b> Versione "GT"[GT], Versione "T"[T]
20	977629	LH U-bolt	1	<b>Technical Specifications:</b> Versione "GTL"[GTL], Versione "TL"[TL]

<b>Group</b>	FRAME
<b>Code</b>	33.31
<b>Description</b>	Handlebar - Controls
<b>Service</b>	1



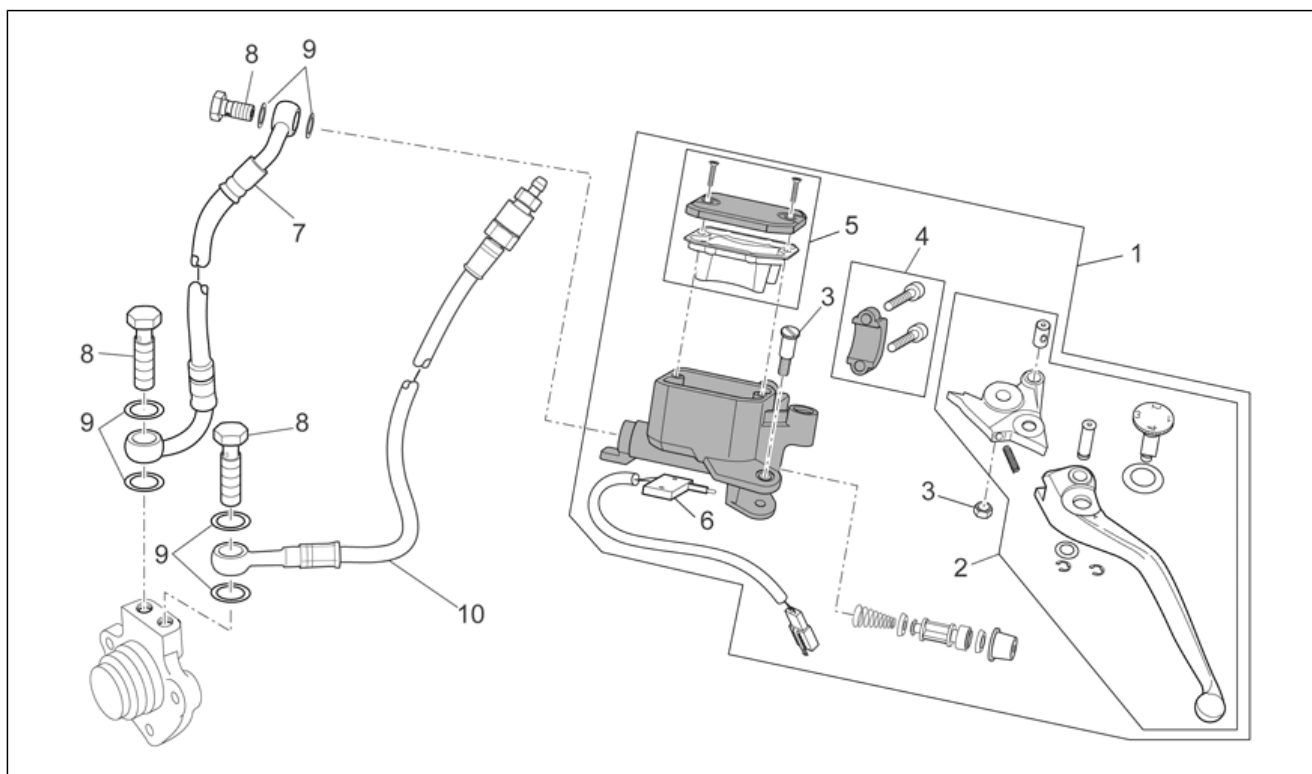
Pos.	Code	Description	Qty	Variants
20	977631	LH U-bolt	1	<b>Technical Specifications:</b> Versione "GT"[GT], Versione "T"[T]
21	977768	R.H. heated grip	1	<b>Technical Specifications:</b> 1st Serie[1A], Versione "GT"[GT], Versione "GTL"[GTL]
22	977767	L.H. heated grip	1	<b>Technical Specifications:</b> 1st Serie[1A], Versione "GT"[GT], Versione "GTL"[GTL]
23	977739	Anti.v weight, black	1	<b>Technical Specifications:</b> 1st Serie[1A], Versione "GT"[GT], Versione "GTL"[GTL]
24	GU98612325	screw M6x25	2	
25	977740	Button	2	<b>Technical Specifications:</b> Versione "GTL"[GTL], Versione "TL"[TL]
26	977906	R.H. heated grip	1	<b>Technical Specifications:</b> 2nd Serie[2A], Versione "GT"[GT], Versione "GTL"[GTL]
27	AP8706527	L.H. heated grip	1	<b>Technical Specifications:</b> 2nd Serie[2A], Versione "GT"[GT], Versione "GTL"[GTL]
28	GU98680370	screw M6x70	2	<b>Technical Specifications:</b> 2nd Serie[2A], Versione "GT"[GT], Versione "GTL"[GTL]
29	883332	Strobo lights switch	1	<b>Technical Specifications:</b> State police version[P.S.]
30	883359	PTT support	1	<b>Technical Specifications:</b> State police version[P.S.]
31	GU01498430	Special screw	2	<b>Technical Specifications:</b> State police version[P.S.]
32	GU14217901	Washer 6,4x10x0,7	2	<b>Technical Specifications:</b> State police version[P.S.]
33	883310	RH front Radio support	1	<b>Technical Specifications:</b> State police version[P.S.]
34	883311	LH front Radio support	1	<b>Technical Specifications:</b> State police version[P.S.]

<b>Group</b>	FRAME
<b>Code</b>	33.32
<b>Description</b>	Front master cilinder
<b>Service</b>	1



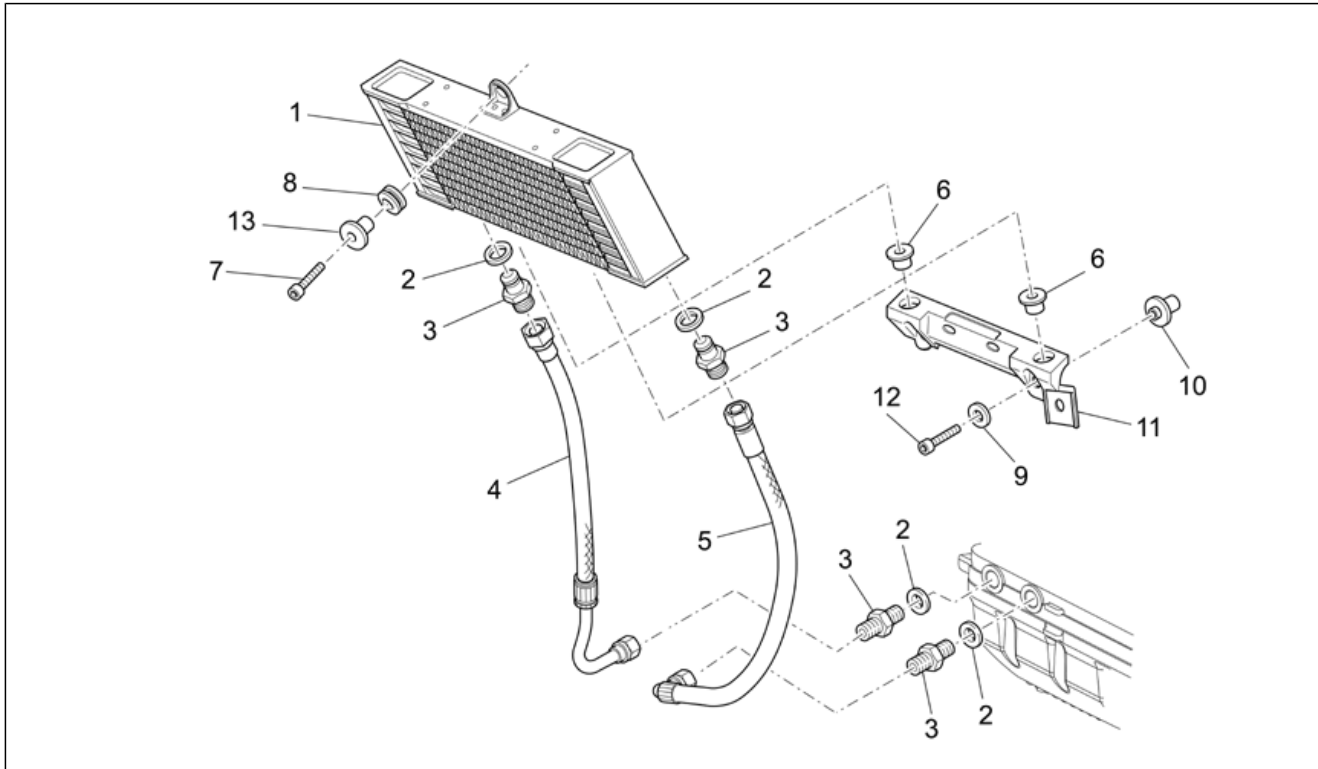
Pos.	Code	Description	Qty	Variants
1	978606	Front master cilinder	1	<b>Technical Specifications:</b> 2nd Serie[2A], Silver colour lever adjustment ring nut[SL]
1	GU05660130	Front master cilinder	1	<b>Technical Specifications:</b> 1st Serie[1A], Gold colour lever adjustment ring nut[GL]
2	981050	Front brake lever	1	<b>Technical Specifications:</b> 2nd Serie[2A], Silver colour lever adjustment ring nut[SL]
2	AP8133510	Front brake lever	1	<b>Technical Specifications:</b> 1st Serie[1A], Gold colour lever adjustment ring nut[GL]
3	AP8113995	Lever pin	1	
4	GU05661130	Tank cap	1	
5	AP8113993	U-bolt	1	
6	GU03749845	Stop switch	1	
7	GU98370412	Hex socket screw M4x12	1	
8	GU95021104	Washer 4,3x8x1,5	1	

<b>Group</b>	FRAME
<b>Code</b>	33.33
<b>Description</b>	Clutch control complete
<b>Service</b>	1



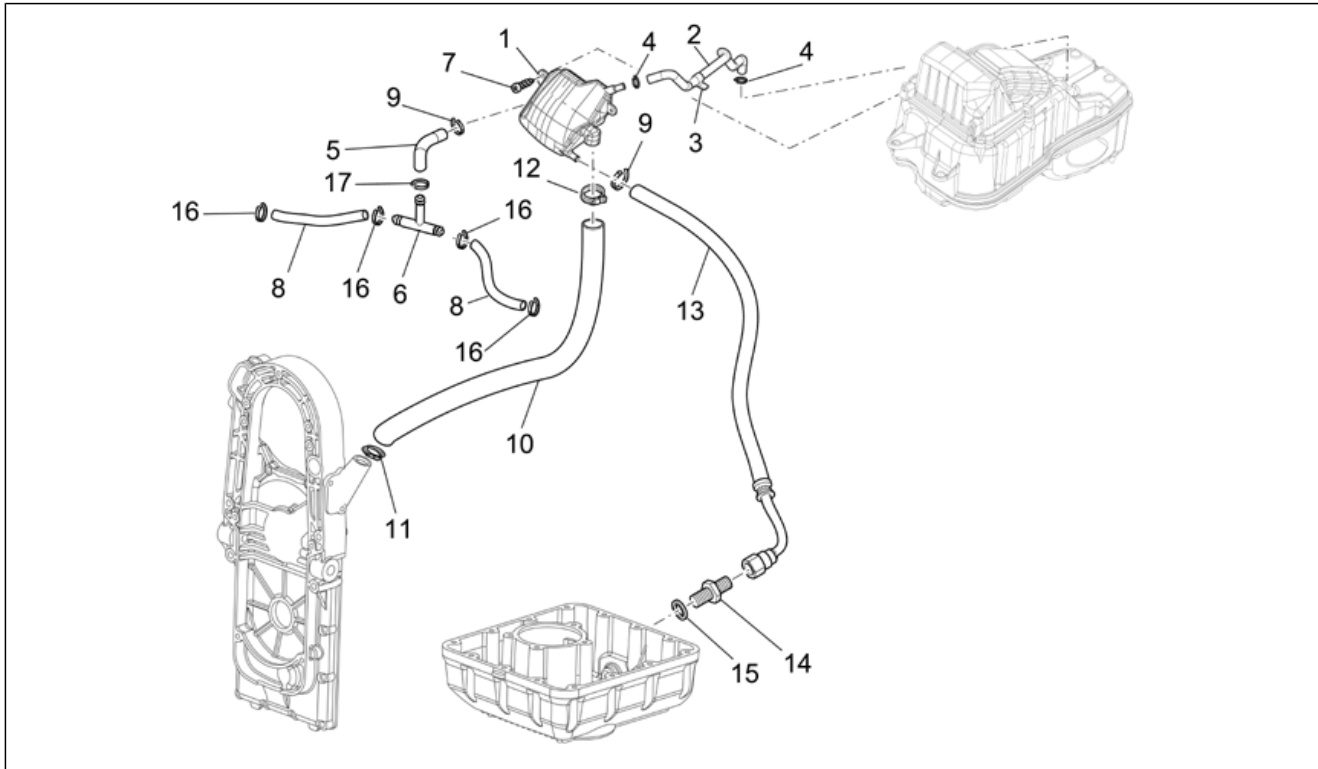
Pos.	Code	Description	Qty	Variants
1	978607	Clutch pump	1	<b>Technical Specifications:</b> 2nd Serie[2A], Silver colour lever adjustment ring nut[SL]
1	AP8106713	Clutch pump	1	<b>Technical Specifications:</b> 1st Serie[1A], Gold colour lever adjustment ring nut[GL]
2	981046	Clutch lever	1	<b>Technical Specifications:</b> 2nd Serie[2A], Silver colour lever adjustment ring nut[SL]
2	AP8118659	Clutch lever	1	<b>Technical Specifications:</b> 1st Serie[1A], Gold colour lever adjustment ring nut[GL]
3	GU03604845	Lever pin	1	
4	AP8113993	U-bolt	1	
5	AP8113997	Tank cap	1	
6	AP8113998	Microswitch	1	
7	GU05606530	Clutch pipe	1	
8	AP8133594	Oil pipe screw	3	
9	AP8121915	Gasket	6	
10	GU05606630	Float chambe clutch pipe	1	

<b>Group</b>	FRAME
<b>Code</b>	33.34
<b>Description</b>	Oil radiator
<b>Service</b>	1



Pos.	Code	Description	Qty	Variants
1	GU05162031	Oil cooler cpl.	1	
2	GU01154230	Gasket	4	
3	GU01161331	Reduction	4	
4	GU05162331	RH pipe	1	
5	GU05161631	LH pipe	1	
6	AP8101372	Silent-block	2	
7	GU98682325	Hex socket screw M6x25	1	
8	GU91551010	Rubber spacer	1	
9	GU95005306	Washer 6,4x13x1,5	2	
10	GU91120622	Bushing 6,2x11x22,5	2	
11	GU05164230	Bracket	1	
12	GU98680340	Hex socket screw M6x40	2	
13	AP8221023	T bush	1	

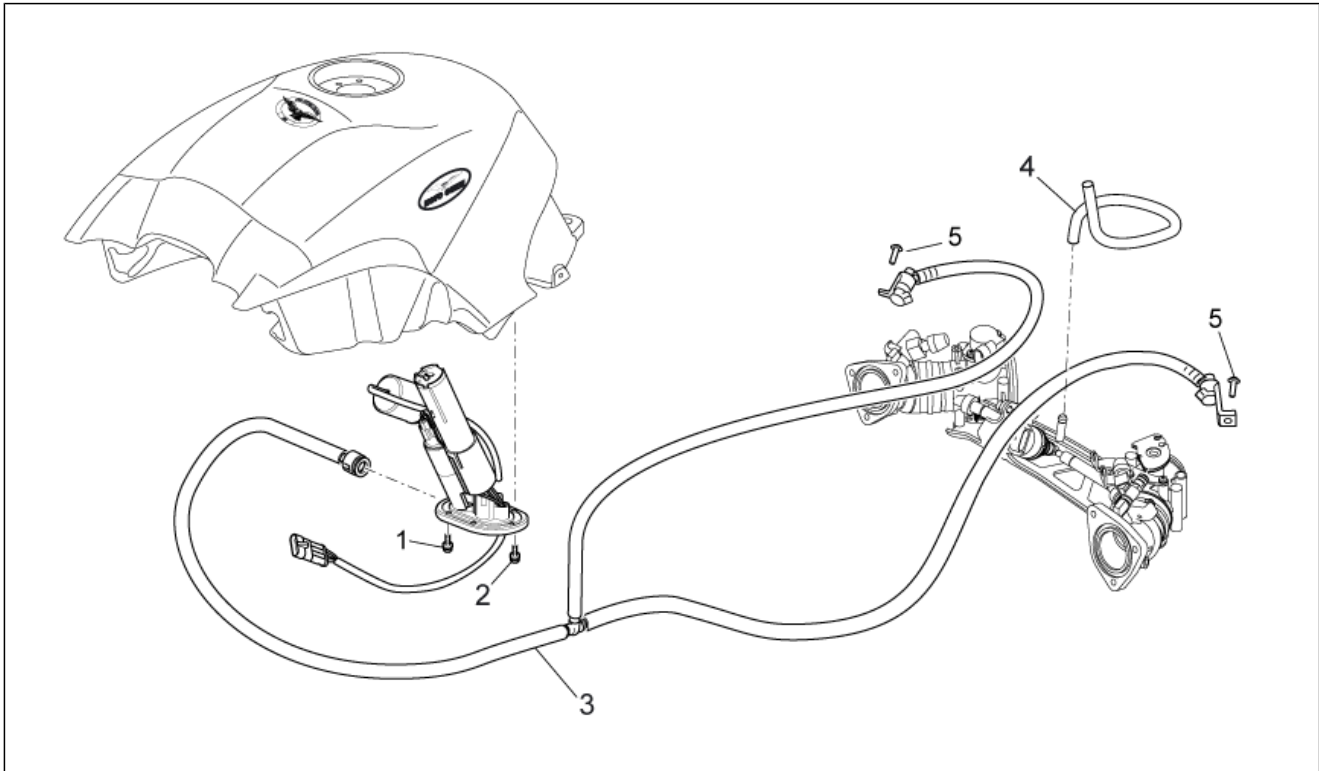
<b>Group</b>	FRAME
<b>Code</b>	33.35
<b>Description</b>	Blow-by system
<b>Service</b>	1



Pos.	Code	Description	Qty	Variants
1	GU05153430	Housing	1	
2	GU05157430	Breather pipe	1	
3	AP8102151	Black hose D12*	1	
4	AP8102520	Hose clamp	2	
5	GU05159630	Breather pipe	1	
6	GU95960609	3-way union	1	
7	AP8150509	Self-tap screw 5x14	2	
8	GU00823955080	Breather pipe	2	
9	AP8101586	Hose clip D.15,5x6,6	2	
10	GU05157630	Breather pipe	1	
11	AP8101588	Hose clip D.24,5x8,6	1	
12	GU93306018	Hose clamp 17X29X8	1	
13	GU05159330	Pipe	1	
14	GU01161331	Reduction	1	
15	GU01154230	Gasket	1	
16	AP8201358	Hose clamp D 11,9	4	
17	AP8102765	White hose clip D.13,5x6	1	

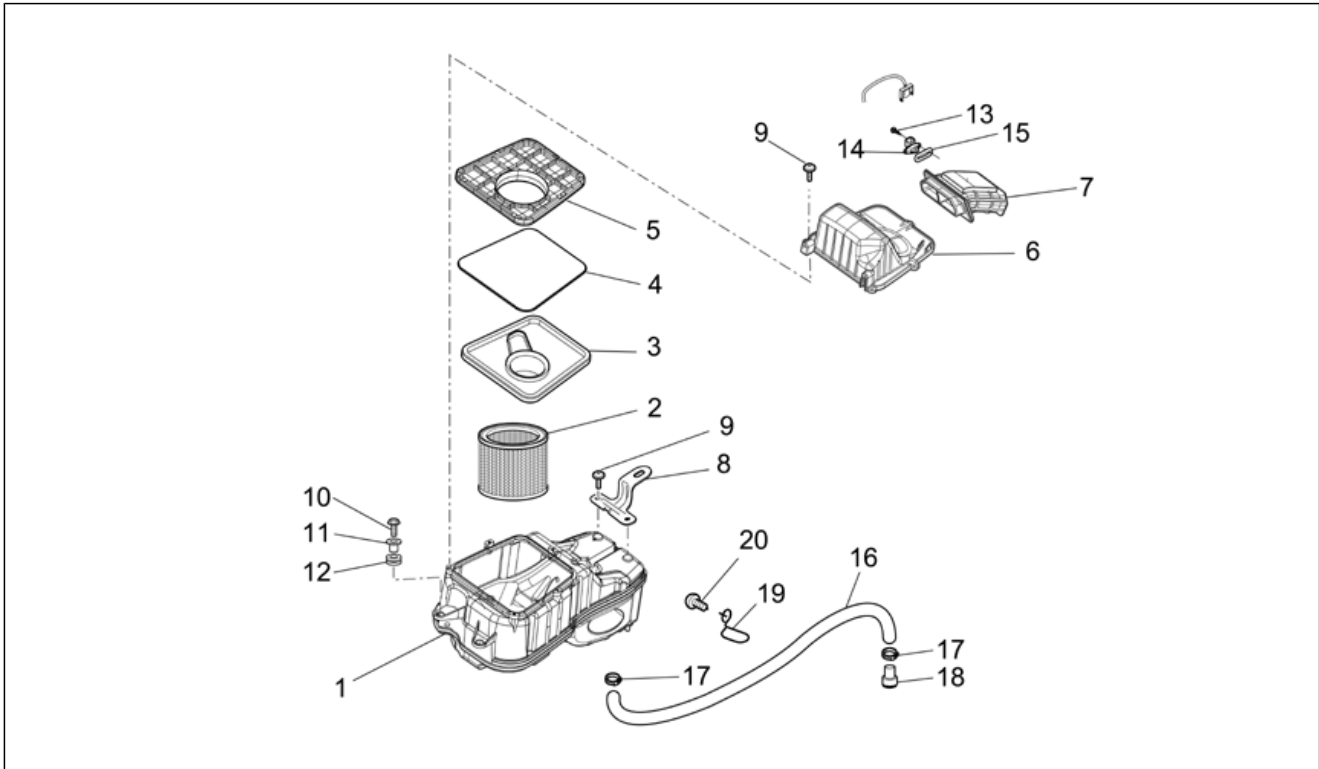


<b>Group</b>	FRAME
<b>Code</b>	33.36
<b>Description</b>	Fuel supply
<b>Service</b>	1



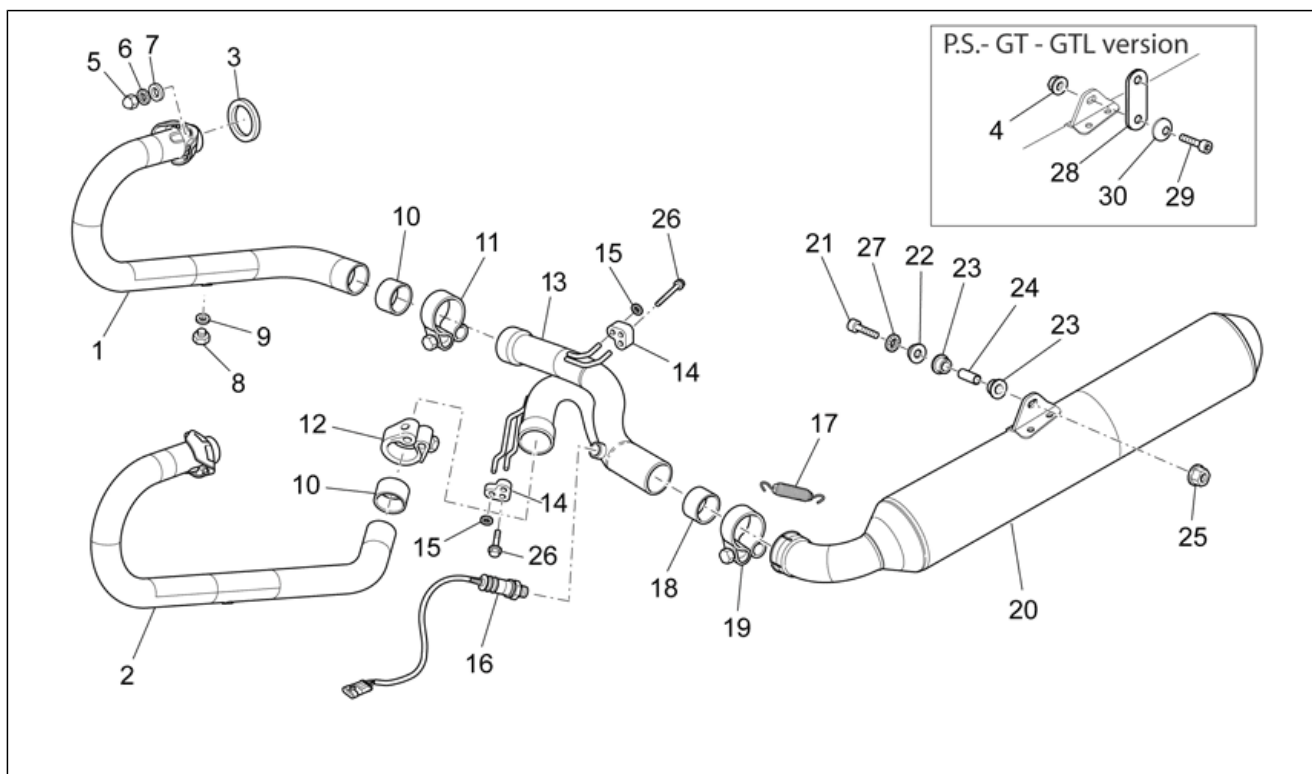
Pos.	Code	Description	Qty	Variants
1	AP8152274	Screw w/ flange M5x20	2	
2	AP8152273	Screw w/ flange M5x16	4	
3	977149	Fuel pipe, cpl.	1	
4	GU05135930	pipe	1	
5	AP8152298	Screw w/ flange M5x16	2	

<b>Group</b>	FRAME
<b>Code</b>	33.37
<b>Description</b>	Air box
<b>Service</b>	1



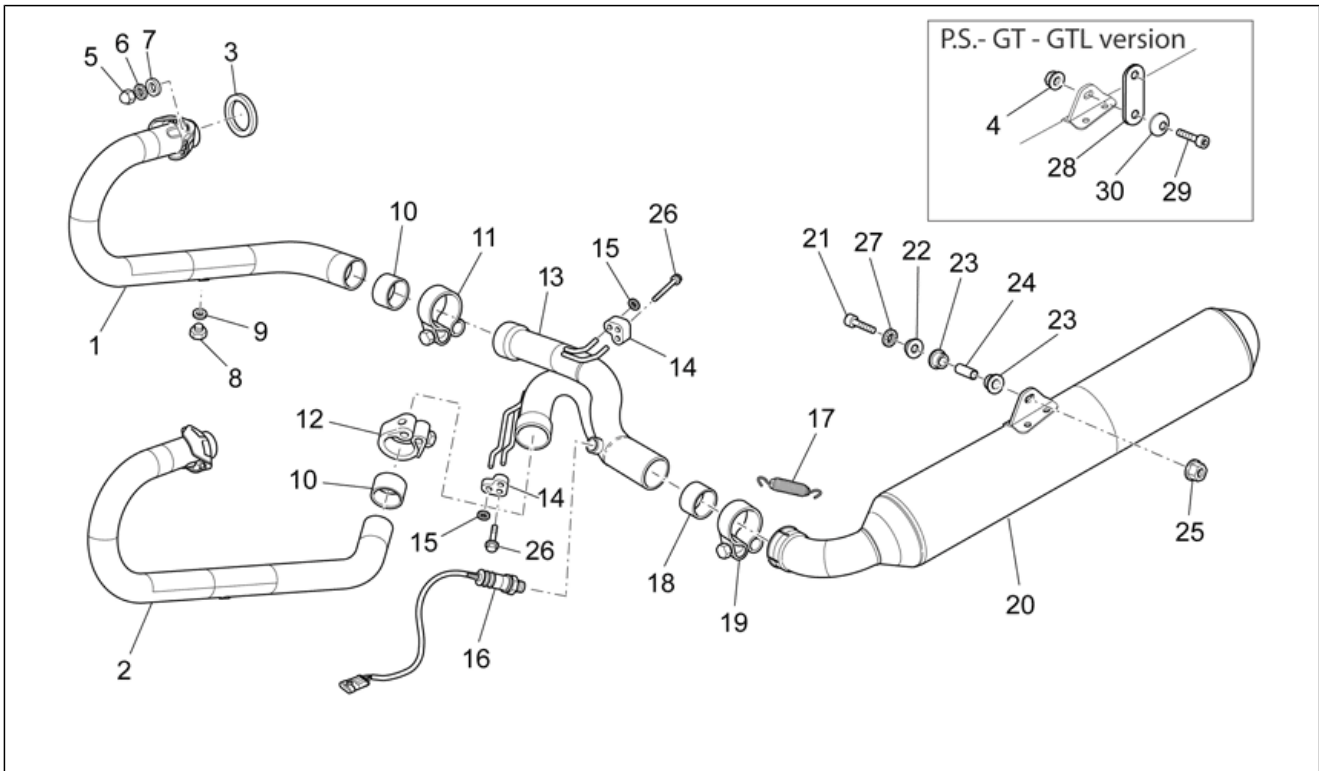
Pos.	Code	Description	Qty	Variants
1	GU05114031	Air box	1	
2	AP8104211	Air filter	1	
3	GU05113730	Protection	1	
4	AP8120615	Gasket D3	1	
5	GU05103830	Adhesive sponge	1	
6	GU05113530	Cover	1	
7	AP8144164	Intake hose	1	
8	GU05114130	Air box support	1	
9	AP8152329	Phillips screw, SWP M5x20	7	
10	AP8152279	Screw w/ flange M6x20	2	
11	AP8221023	T bush	2	
12	AP8120030	Rubber spacer	2	
13	AP8150421	Self-tap screw 2,9x12	2	
14	GU30729330	Air temp. Sensor	1	
15	GU30027931	Gasket	1	
16	AP8144038	Fuel pipe 6x10	1	
17	AP8101595	Hose clamp D10,1	2	
18	AP8120876	Plug	1	
19	AP8120428	Cable-guide	1	
20	AP8152278	Screw w/ flange M6x16	1	

<b>Group</b>	FRAME
<b>Code</b>	33.38
<b>Description</b>	Exhaust unit
<b>Service</b>	1



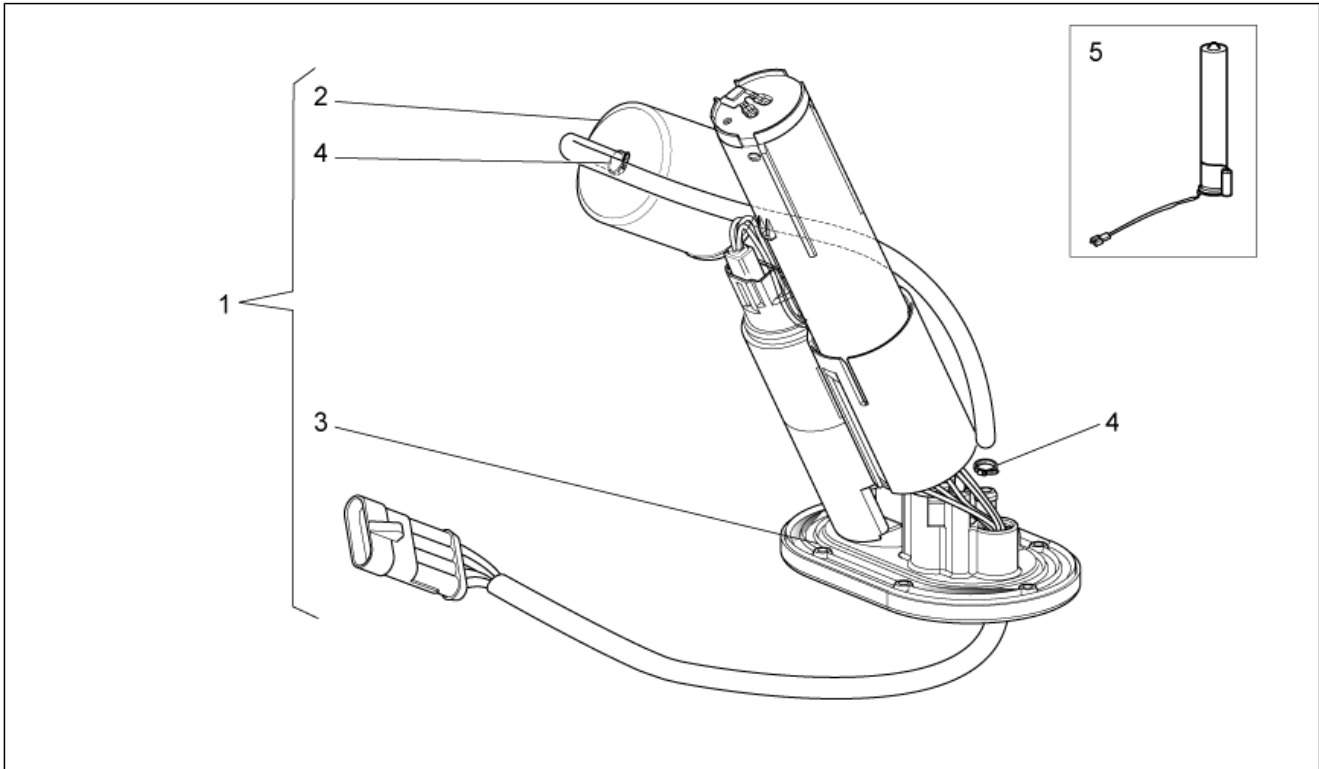
Pos.	Code	Description	Qty	Variants
1	983076	RH exhaust pipe	1	
2	983077	LH exhaust pipe	1	
3	GU90718370	Gasket	2	
4	AP8152300	Self-locking nut M8	1	<b>Technical Specifications:</b> Versione "GT"[GT], Versione "GTL"[GTL], State police version[P.S.]
5	GU92660021	Flanged nut M8	4	
6	GU14615901	Washer 8,4x13X0,8	4	
7	GU95005308	Washer 8,4x14,57x1,6	4	
8	GU98110007	Cover	2	
9	GU30109330	Gasket	2	
10	GU05121630	Gasket	2	
11	976522	RH hose clamp	1	
12	976523	LH hose clamp	1	
13	977664	Central exhaust pipe	1	
14	GU05124230	Rubber spacer	2	
15	GU90274008	Washer for shafts D8	4	
16	GU32727010	Lamda sensor	1	
17	AP8121170	Spring	1	
18	GU05128230	Gasket	1	
19	976521	Hose clamp	1	
20	9776651	Silencer	1	
21	GU98680445	Hex socket screw	1	
22	AP8134378	Silencer fixing bush	1	
23	AP8144071	Rubber exhaust	2	
24	883079	Spacer	1	
25	GU92650138	Nut M8x1,25	1	
26	GU05124330	screw	2	
27	GU95005312	Washer 8,5x24x2	1	

<b>Group</b>	FRAME
<b>Code</b>	33.38
<b>Description</b>	Exhaust unit
<b>Service</b>	1



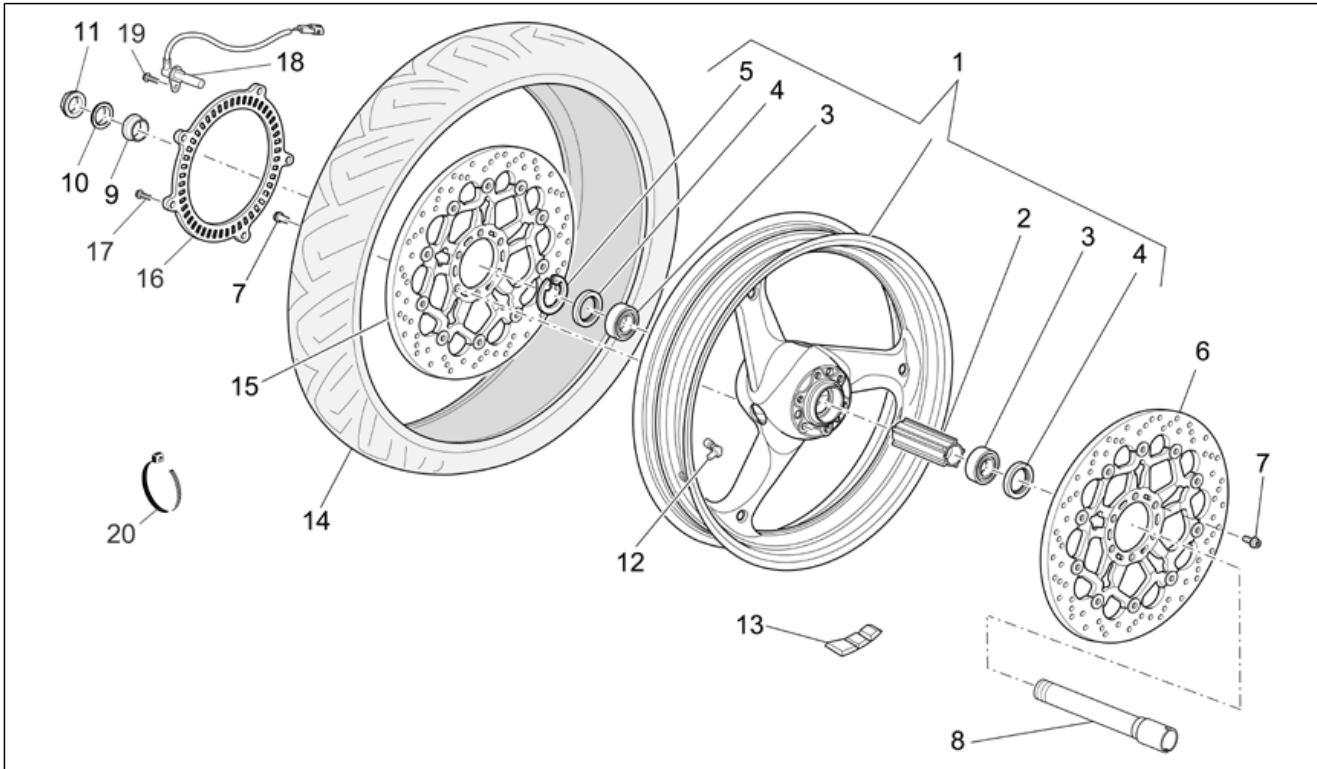
Pos.	Code	Description	Qty	Variants
28	977798	Plate	1	<b>Technical Specifications:</b> Versione "GT"[GT], Versione "GTL"[GTL]
28	978086	Plate	1	<b>Technical Specifications:</b> State police version[P.S.]
29	GU98682425	Hex socket screw M8x25	1	<b>Technical Specifications:</b> Versione "GT"[GT], Versione "GTL"[GTL], State police version[P.S.]
30	AP8134378	Silencer fixing bush	1	<b>Technical Specifications:</b> Versione "GT"[GT], Versione "GTL"[GTL], State police version[P.S.]

<b>Group</b>	FRAME
<b>Code</b>	33.39
<b>Description</b>	Internal fuel pump
<b>Service</b>	1



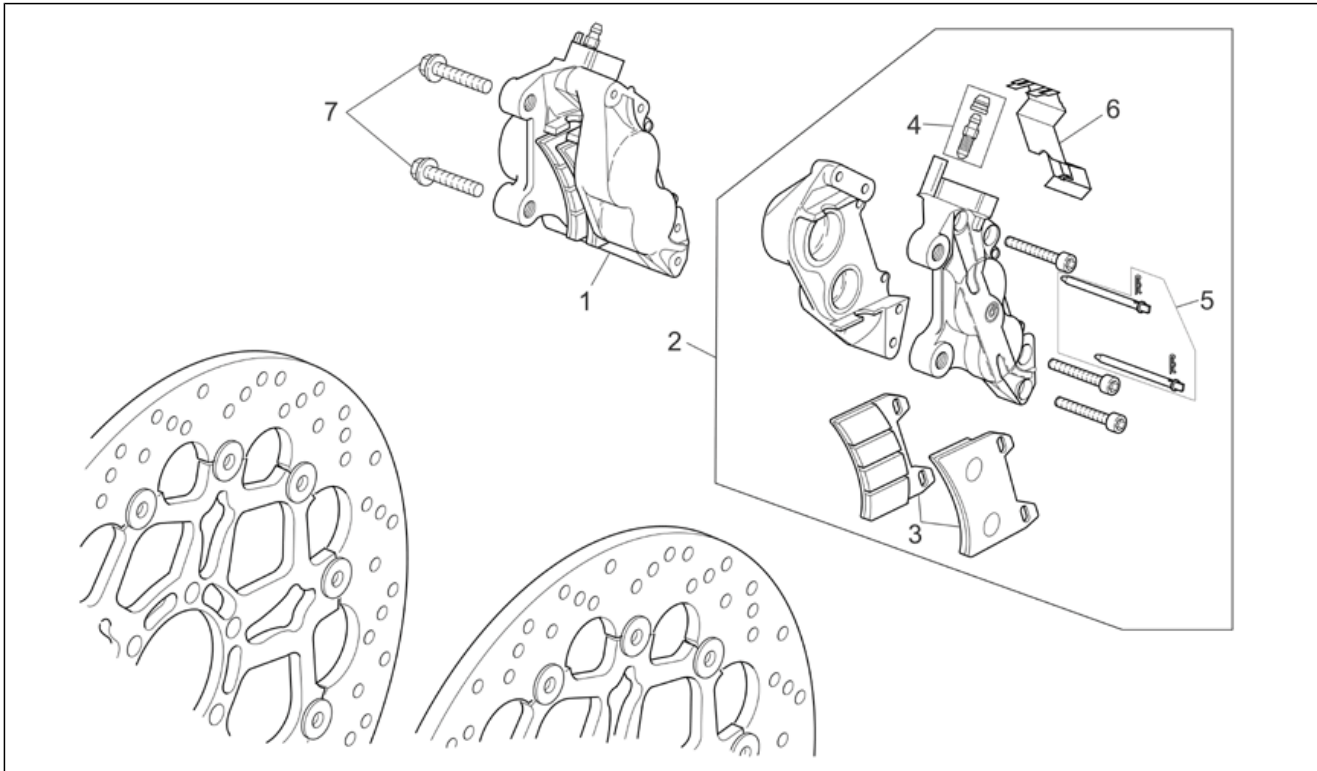
Pos.	Code	Description	Qty	Variants
1	887422	Fuel pump	1	
1	978825	Fuel pump cpl.	1	<b>Country:</b> Canadian[CND], United States of America[USA] <b>Technical Specifications:</b> Fuel pump code on the flange 978825[P2]
1	GU05107230	Fuel pump cpl.	1	<b>Technical Specifications:</b> Fuel pump code on the flange 05107230[P1]
2	GU01106090	Fuel filter	1	<b>Technical Specifications:</b> Fuel pump code on the flange 05107230[P1]
3	GU05107430	Gasket	1	<b>Technical Specifications:</b> Fuel pump code on the flange 05107230[P1]
4	GU01108490	Hose clamp 11,3	4	<b>Technical Specifications:</b> Fuel pump code on the flange 05107230[P1]
5	AP8127817	Fuel level sensor	1	<b>Technical Specifications:</b> Fuel pump code on the flange 05107230[P1]

<b>Group</b>	FRAME
<b>Code</b>	33.40
<b>Description</b>	Front wheel
<b>Service</b>	1



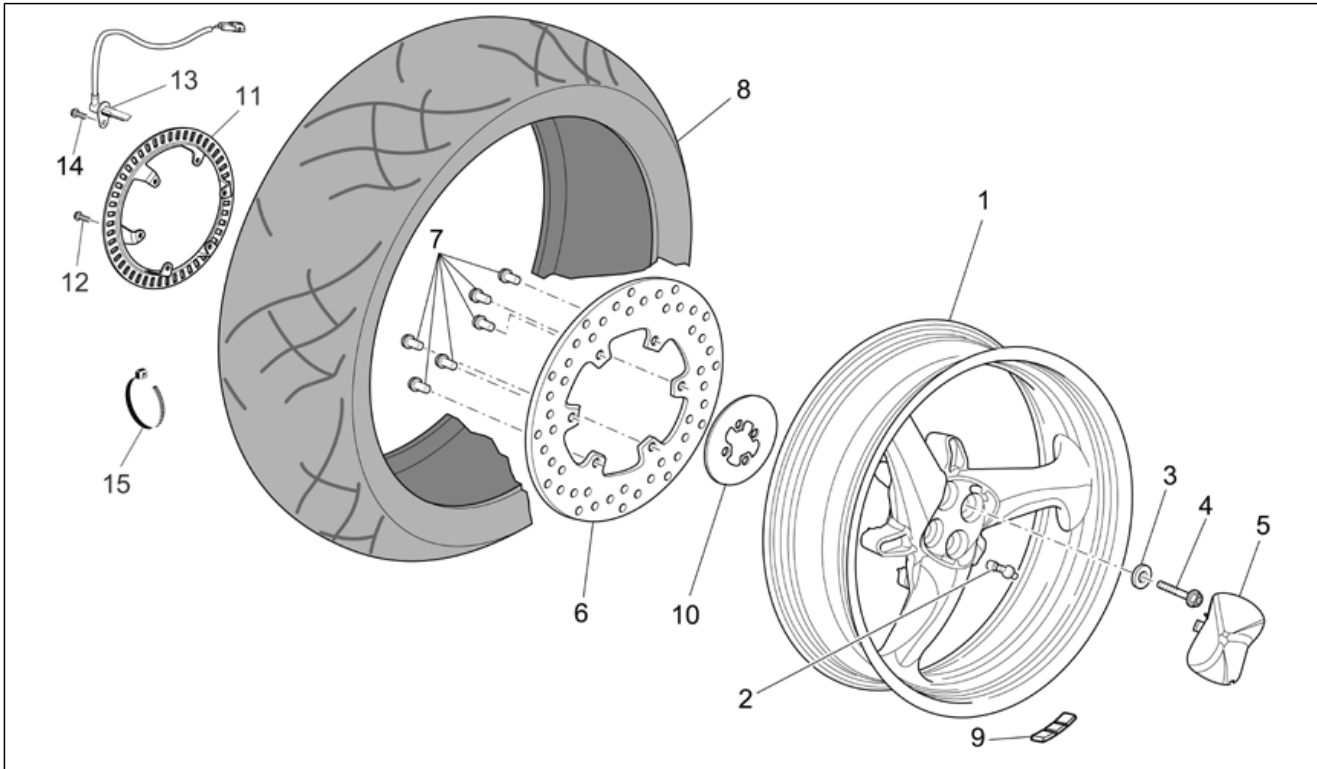
Pos.	Code	Description	Qty	Variants
1	977266	Front wheel, grey 3,5x17"	1	<b>Technical Specifications:</b> Marchio Brembo[BR]
2	GU05615230	Spacer	1	
3	AP8125777	Ball bearing 25x47x12	2	
4	AP8125773	Gasket ring 30x47x7	2	
5	AP8125779	Circlip	1	
6	GU05613330	Front brake disc, gold 320	1	
7	GU05611430	screw	12	
8	GU05614130	Front wheel spindle	1	
9	AP8125791	Spacer	1	
10	GU95005325	Washer 25,2X36X1	1	
11	GU01612190	Nut	1	
12	GU03617710	Tubeless tyre valve	1	
13	GU14616150	Counterweight	1	
14	0000000	Tyre	1	
15	GU05613335	Front brake disc, gold 320	1	
16	GU05681430	Wheel speed sensor, left front	1	
17	GU98250510	Screw	5	
18	AP8127469	Sensor abs	1	
19	AP8152278	Screw w/ flange M6x16	1	
20	GU49609601	Hose clamp 2,4x92	1	

<b>Group</b>	FRAME
<b>Code</b>	33.41
<b>Description</b>	Front brake caliper
<b>Service</b>	1



Pos.	Code	Description	Qty	Variants
1	GU05652330	RH Front brake caliper, gold	1	
2	GU05652230	LH Front brake caliper, gold	1	
3	GU01654630	Pads pair	2	
4	GU05659230	Bleeder+cap	2	
5	GU01659130	Pins+Caliper springs	2	
6	GU01659131	Spring	2	
7	AP8152385	Hex socket screw M10x1,25	4	

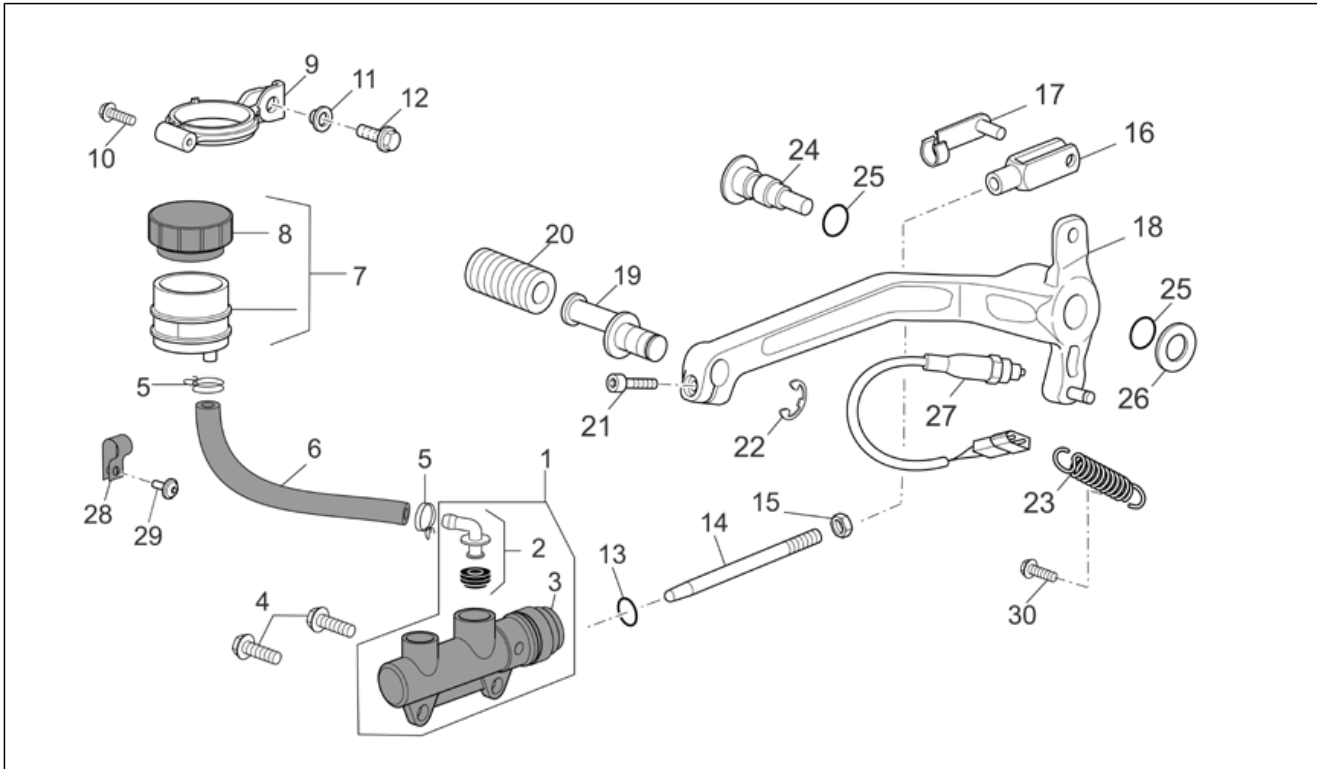
<b>Group</b>	FRAME
<b>Code</b>	33.42
<b>Description</b>	Rear wheel
<b>Service</b>	1



Pos.	Code	Description	Qty	Variants
1	977268	Rear wheel, grey 5,5x17"	1	<b>Technical Specifications:</b> Marchio Brembo[BR]
2	GU03617710	Tubeless tyre valve	1	
3	GU05632730	Conical bush	4	
4	GU97202665	Screw w/ flange M12x65	4	
5	977340	Cover	1	
6	GU05635730	Rear brake disc	1	
7	GU30611460	screw	6	
8	0000000	Tyre	0	
9	GU14616150	Counterweight	1	
10	977056	Dust cover ring	1	
11	GU05681530	Wheel speed sensor, left front	1	
12	AP8152272	Screw w/ flange M5x12	6	
13	GU05683730	Sensor	1	
14	AP8152278	Screw w/ flange M6x16	1	
15	GU49609601	Hose clamp 2,4x92	1	

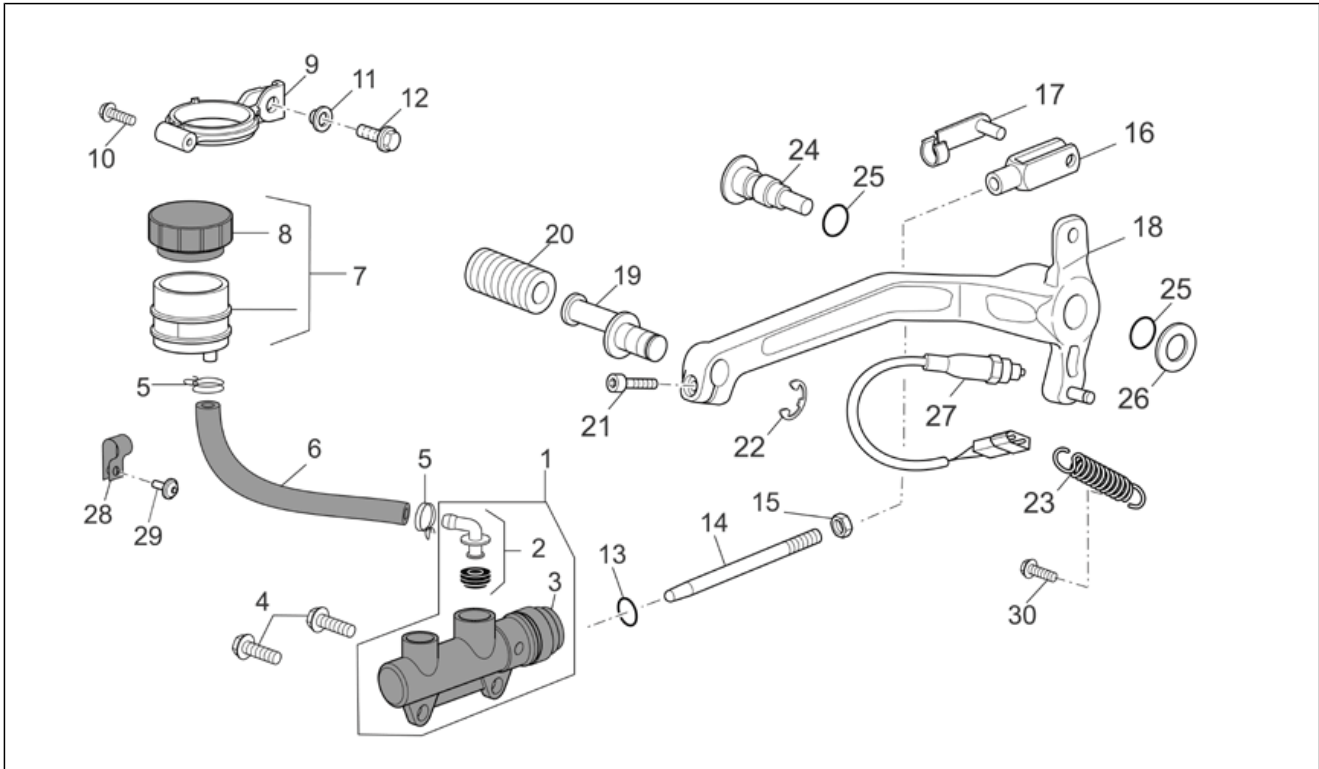


<b>Group</b>	FRAME
<b>Code</b>	33.43
<b>Description</b>	Rear master cylinder
<b>Service</b>	1



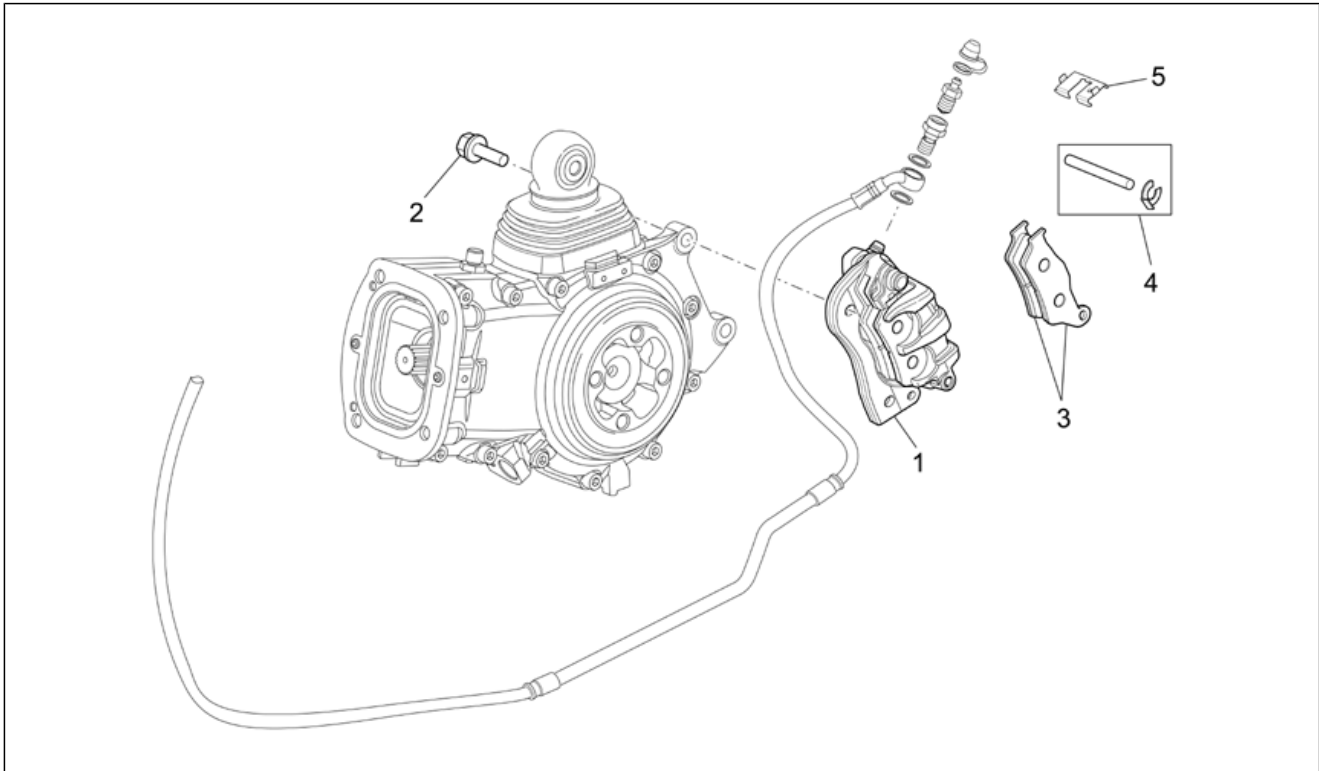
Pos.	Code	Description	Qty	Variants
1	GU0566930	Rear master cylinder	1	
2	AP8113594	Rear brake pump union	1	
3	AP8113288	Rubber bellows	1	
4	AP8152279	Screw w/ flange M6x20	2	
5	AP8101595	Hose clamp D10,1	2	
6	GU00823950050	Oil pipe	1	
7	GU05663530	Brake oil tank complete	1	
8	GU17661052	Tank cap	1	
9	GU05666030	Tank support	1	
10	AP8152329	Phillips screw, SWP M5x20	1	
11	AP8221145	T bush *	1	
12	AP8152278	Screw w/ flange M6x16	1	
13	AP8120178	O-ring OR112	1	
14	977041	Master cylinder rod	1	
15	GU92606206	Nut	1	
16	AP8101968	Fork	1	
17	AP8201301	Gear selector fork clips	1	
18	GU05677030	Rear brake lever	1	
19	AP8121221	Brake lever pin	1	
20	AP8120912	Lever rubber	1	
21	GU98682316	Hex socket screw M6x16	1	
22	AP8150462	Circlip d9	1	
23	AP8121927	Rear brake lever spring	1	
24	884033	Rear brake lever pin	1	
25	AP8144007	O-ring 11,11x1,78	2	
26	GU95008310	Washer 10,5x22x2,5	1	
27	AP8112996	clutch switch	1	
28	AP8102151	Black hose D12*	1	

<b>Group</b>	FRAME
<b>Code</b>	33.43
<b>Description</b>	Rear master cylinder
<b>Service</b>	1



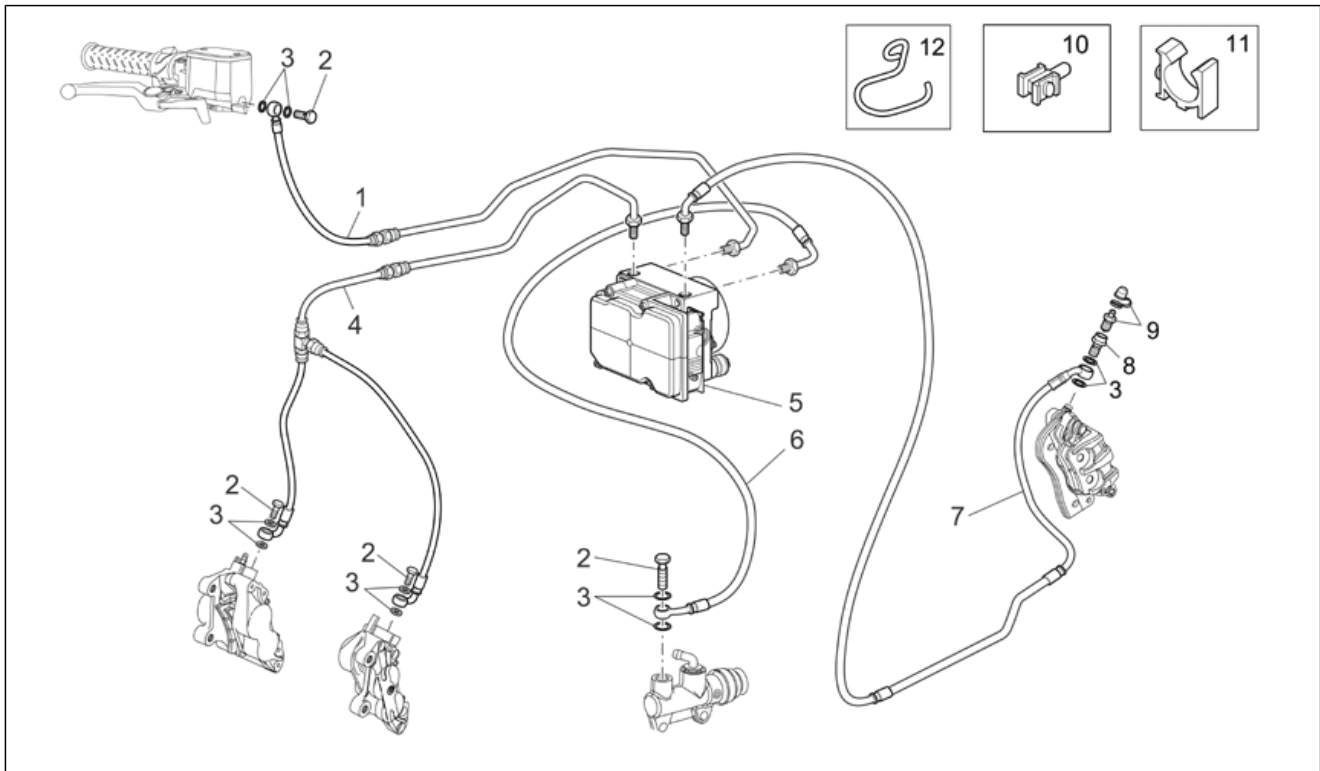
Pos.	Code	Description	Qty	Variants
29	GU98350210	Hex socket screw	1	
30	AP8152273	Screw w/ flange M5x16	1	

<b>Group</b>	FRAME
<b>Code</b>	33.44
<b>Description</b>	Rear brake caliper
<b>Service</b>	1



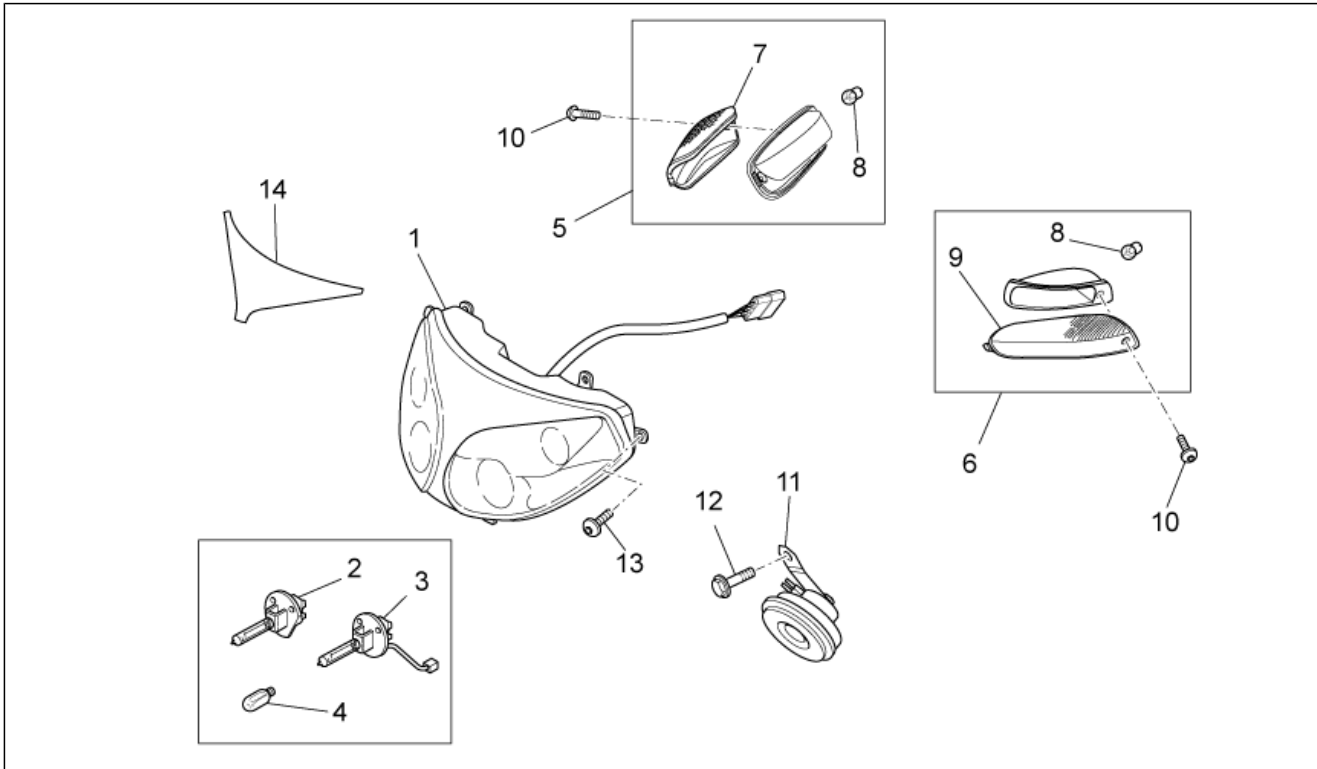
Pos.	Code	Description	Qty	Variants
1	GU05653030	Rear brake caliper, gold	1	
2	AP8152320	Screw w/ flange	2	
3	GU05654630	Pads pair	1	
4	GU05659130	Pin+split pin	1	
5	GU05659030	Spring	1	

<b>Group</b>	FRAME
<b>Code</b>	33.45
<b>Description</b>	ABS Brake system
<b>Service</b>	1



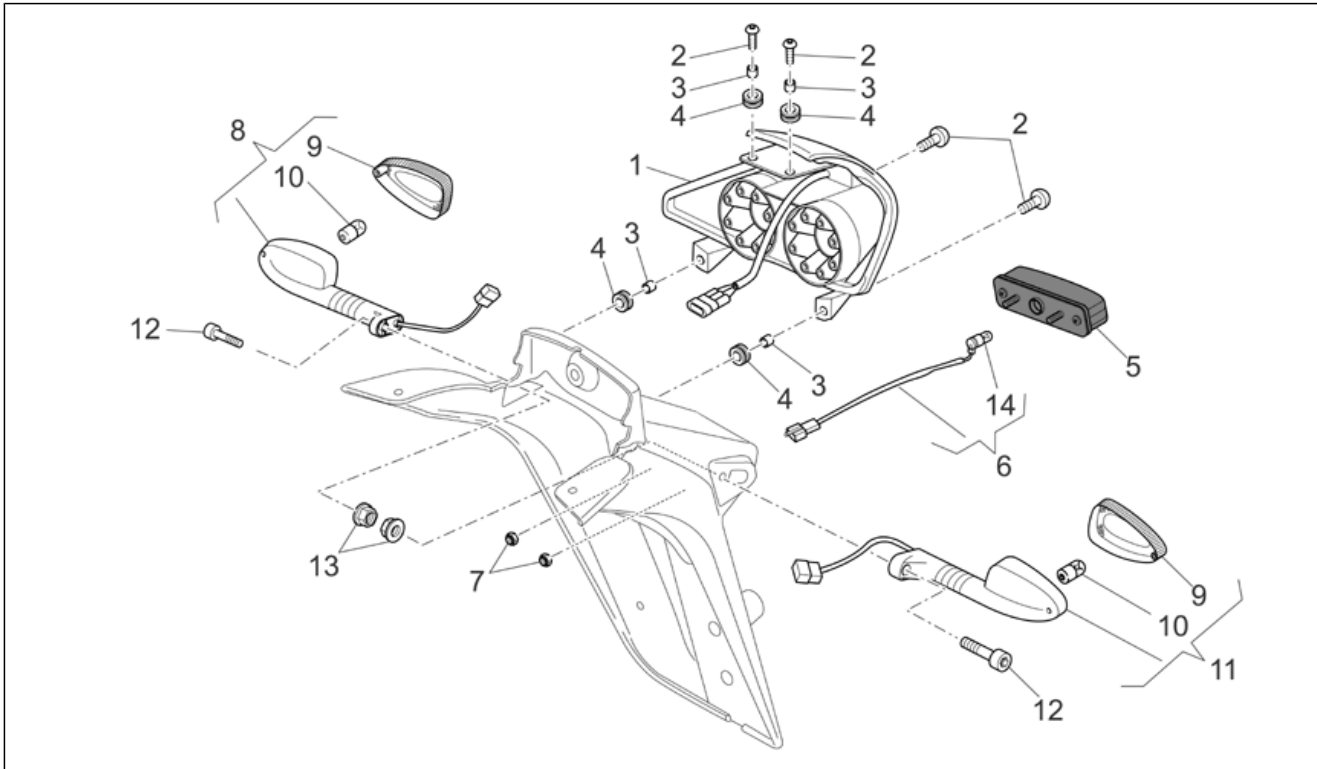
Pos.	Code	Description	Qty	Variants
1	GU05681030	Front brake hose	1	
2	AP8133594	Oil pipe screw	4	
3	GU25656100	Gasket	10	
4	GU05680830	Front brake hose	1	
5	GU05680530	ECU/Pump ABS	1	
6	GU05681130	Brake hose	1	
7	GU05680930	Rear brake hose	1	
8	AP8133597	screw	1	
9	AP8213113	Bleeder+cap	1	
10	AP8202238	Cable-guide hook	4	
11	AP8201808	Cable-guide D8	2	
11	GU05436530	Cable-guide D5	4	
12	GU05683130	Cable-guide D8	1	

<b>Group</b>	FRAME
<b>Code</b>	33.46
<b>Description</b>	Headlight/Horn
<b>Service</b>	1



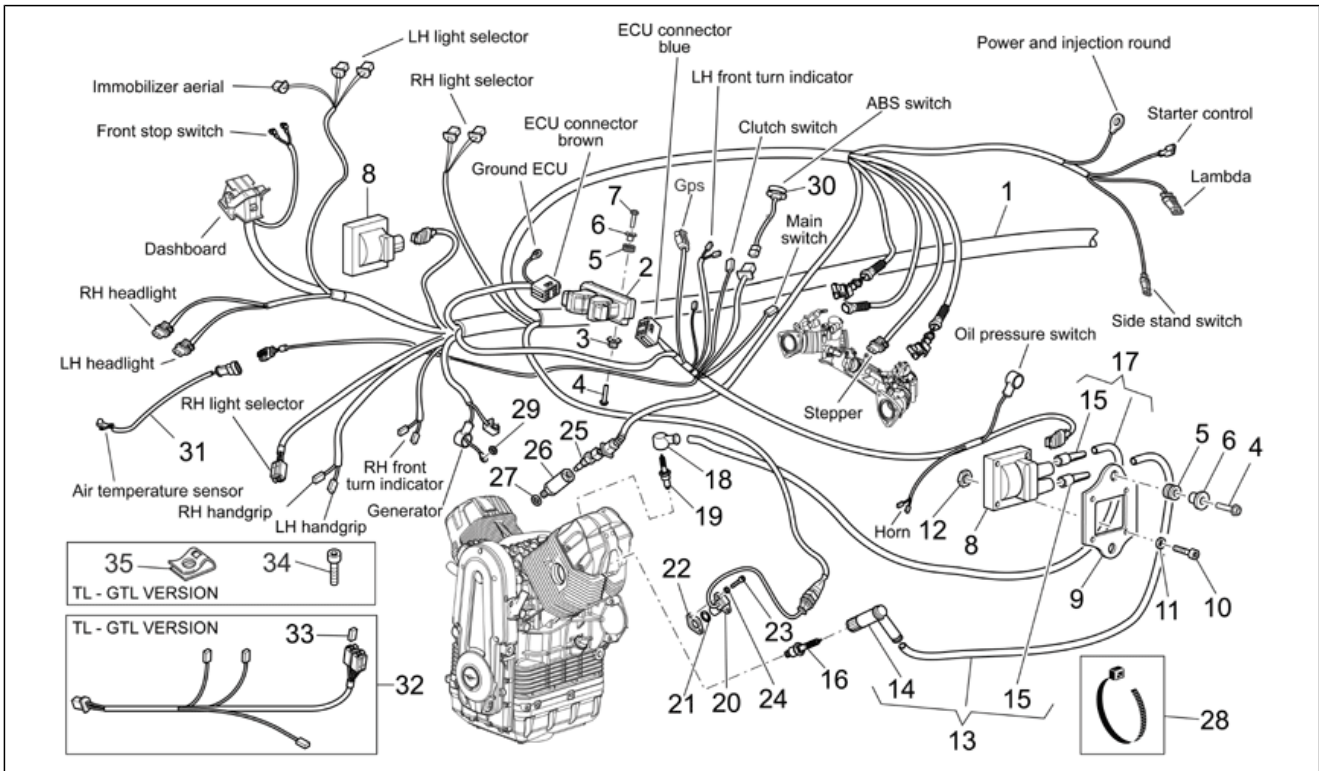
Pos.	Code	Description	Qty	Variants
1	977130	Headlight	1	
2	GU30530557	Lamp H112V-55W	1	
3	GU30530558	Lamp H3 12V-55W	1	
4	GU93450105	Lamp	1	
5	AP8127684	Turn indicator	1	
6	AP8127683	Turn indicator	1	
7	AP8127702	Transparent lens f.RH-r.LH	1	
8	GU93450126	Lamp, orange	2	
9	AP8127701	Transparent lens f.LH-r.RH	1	
10	AP8150493	Hex socket screw M4x16	2	
11	GU05743730	Horn	1	
12	AP8152285	Screw w/ flange	1	
13	GU98325316	screw	6	
14	978571	Front headlight decal set	1	

<b>Group</b>	FRAME
<b>Code</b>	33.47
<b>Description</b>	Taillight
<b>Service</b>	1



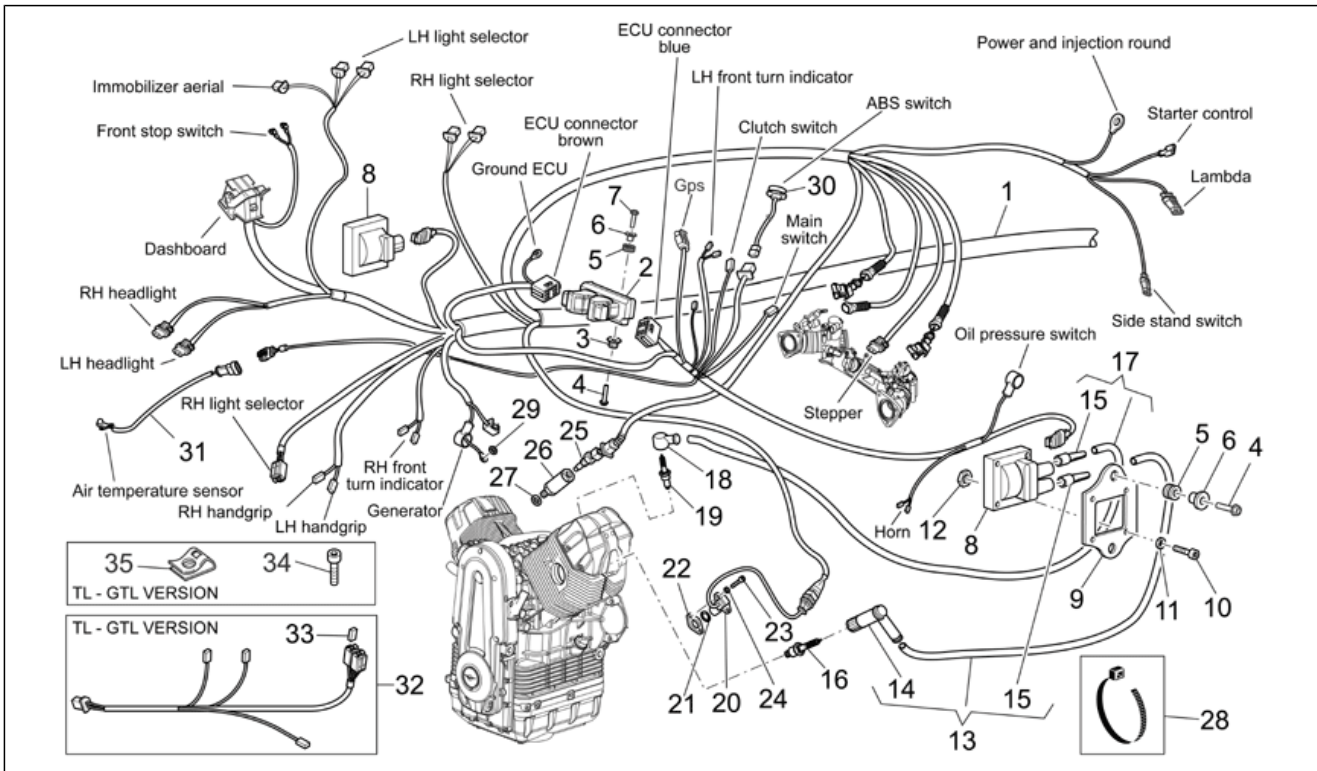
Pos.	Code	Description	Qty	Variants
1	GU05740930	Taillight	1	
2	AP8152298	Screw w/ flange M5x16	4	
3	AP8221036	Bushing 5,3x8x7,1	4	
4	AP8120405	Rubber spacer	4	
5	AP8212702	Number-plate light	1	
6	AP8124976	Plate light wiring	1	
7	AP8152306	Self-locking nut m5	2	
8	GU05751630	Rear RH turn indicator	1	
9	AP8127552	Turn indicator lens	2	
10	GU93450126	Lamp, orange	2	
11	GU05751730	Rear LH turn indicator	1	
12	GU98692318	Hex socket screw	2	
13	GU92630206	Nut M6x1	2	
14	GU93450105	Lamp	1	

<b>Group</b>	FRAME
<b>Code</b>	33.48
<b>Description</b>	Electrical system I
<b>Service</b>	1



Pos.	Code	Description	Qty	Variants
1	977521	Main wiring harness	1	
2	977676	ECU	1	
3	GU05729230	Bush	2	
4	AP8152279	Screw w/ flange M6x20	6	
5	AP8120030	Rubber spacer	6	
6	AP8221023	T bush	6	
7	AP8152282	Screw w/ flange M6x35	2	
8	GU05716530	HT coil	2	
9	GU05716730	Coil holder	2	
10	GU98682125	Hex socket screw	8	
11	GU95008204	Washer 4,3x8x0,5	8	
12	GU92630104	Nut M4x0,7	8	
13	GU05718330	HT wire	2	
14	GU03717450	Sparkplug cap	2	
15	GU14717600	Cap	4	
16	GU30717061	Spark plug NGK BPR6ES	2	
17	GU05718331	HT wire	2	
18	GU05717430	Sparkplug cap	2	
19	GU05717030	Spark plug NGK PMR8B	2	
20	GU01721600	Phase/revolution sensor	1	
21	GU90706141	O-ring	1	
22	GU01722700	Gasket 0,3mm	1	
22	GU01722701	Gasket 0,4 mm	1	
22	GU01722702	Gasket 0,6mm	1	
22	GU01722703	Gasket	1	
22	GU01722704	Gasket 1mm	1	
22	GU01722705	Gasket 1,5mm	1	
22	GU29722760	Gasket 0,5 mm	1	

<b>Group</b>	FRAME
<b>Code</b>	33.48
<b>Description</b>	Electrical system I
<b>Service</b>	1

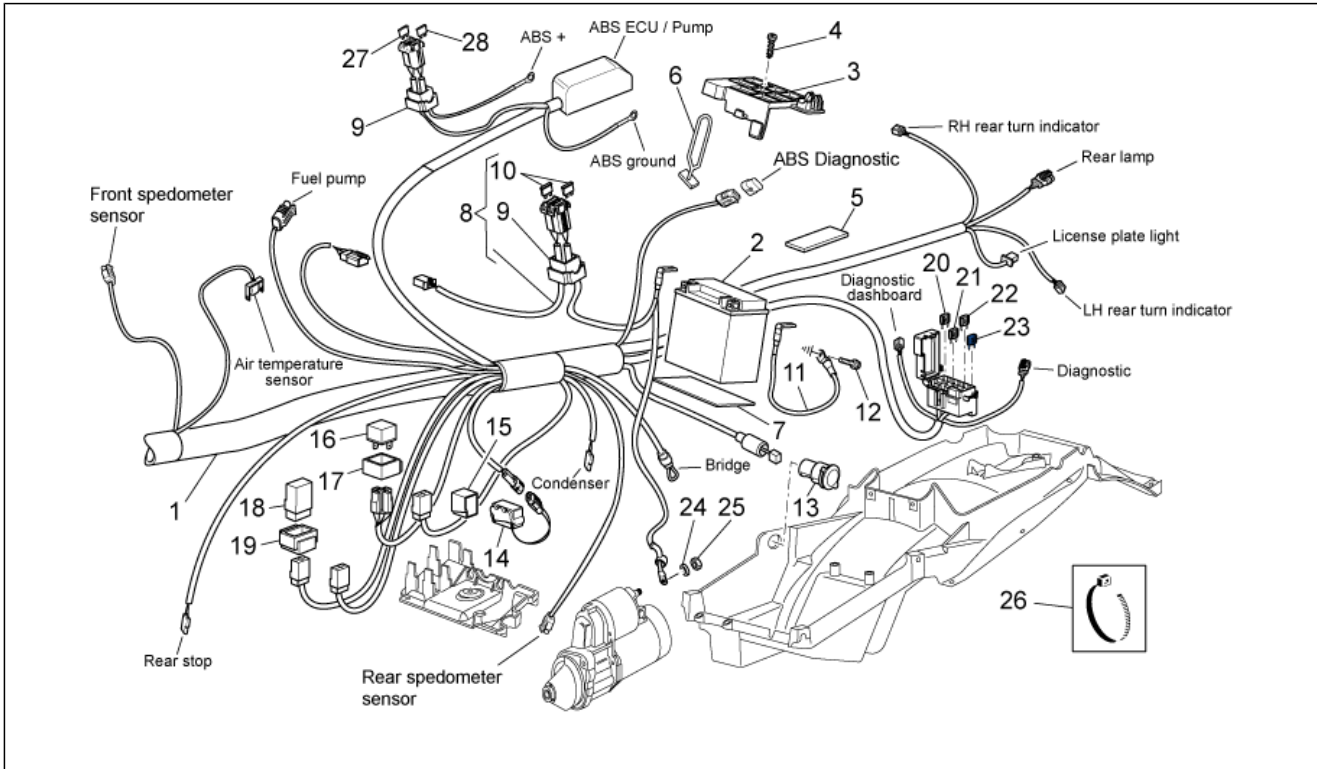


Pos.	Code	Description	Qty	Variants
23	GU98682212	Hex socket screw M5x12	2	
24	GU95008205	Washer 5,3x10x0,8	2	
25	GU29729461	Oil temperature sensor	1	
26	GU03163330	Sensor support	1	
27	GU95008210	Washer 10,2X18X2	1	
28	GU14609650	Hose clamp 3,6x20,6	22	
28	GU30609600	Hose clamp 8,8x185	1	
29	AP8152299	Self-locking nut M6	1	
30	GU05780430	Switch ABS	1	
31	AP8124936	Air temp. Sensor	1	
32	977874	Wiring motor windshield	1	<b>Technical Specifications:</b> Versione "GTL"[GTL], Versione "TL"[TL]
33	GU01731760	Relay shunt va.siem. A1001A403	2	<b>Technical Specifications:</b> Versione "GTL"[GTL], Versione "TL"[TL]
34	GU98682212	Hex socket screw M5x12	2	<b>Technical Specifications:</b> Versione "GTL"[GTL], Versione "TL"[TL]
35	GU01576531	Nut with clip M4	2	<b>Technical Specifications:</b> Versione "GTL"[GTL], Versione "TL"[TL]



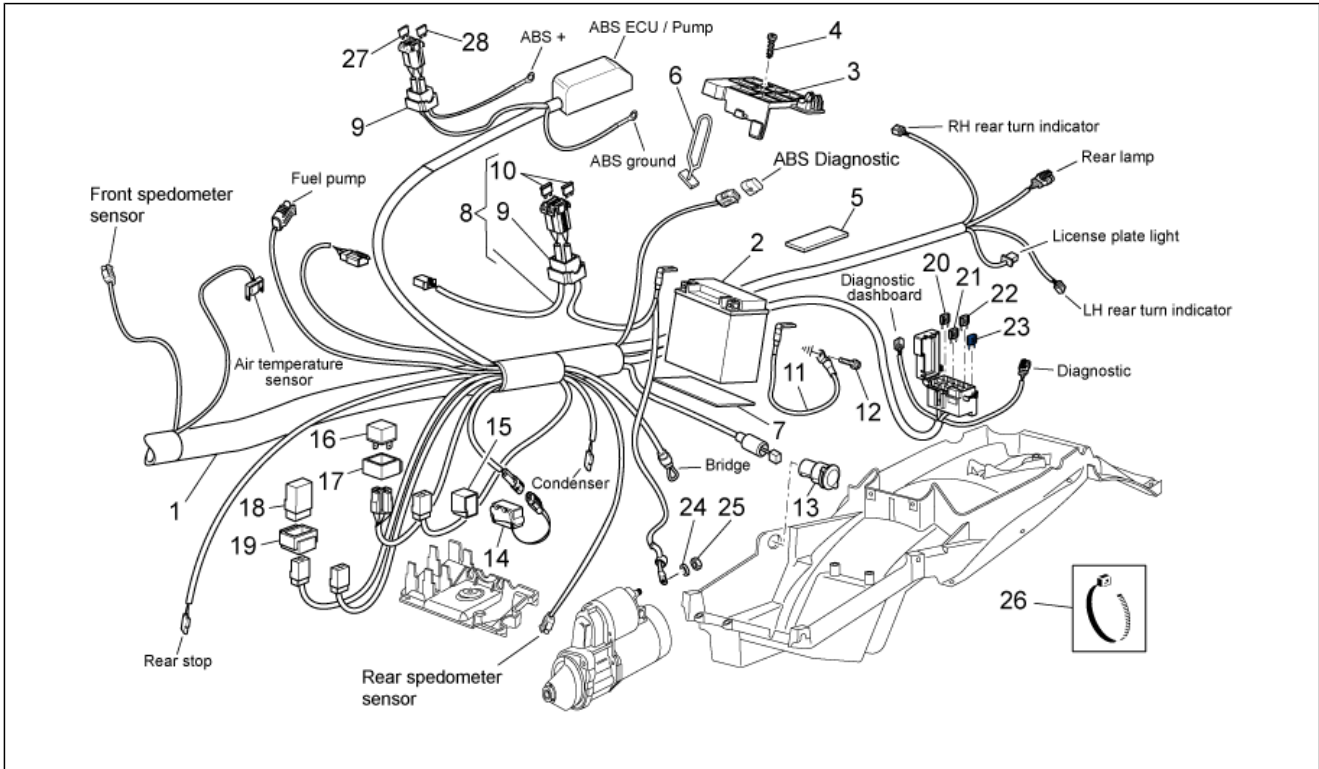


<b>Group</b>	FRAME
<b>Code</b>	33.49
<b>Description</b>	Electrical system II
<b>Service</b>	1



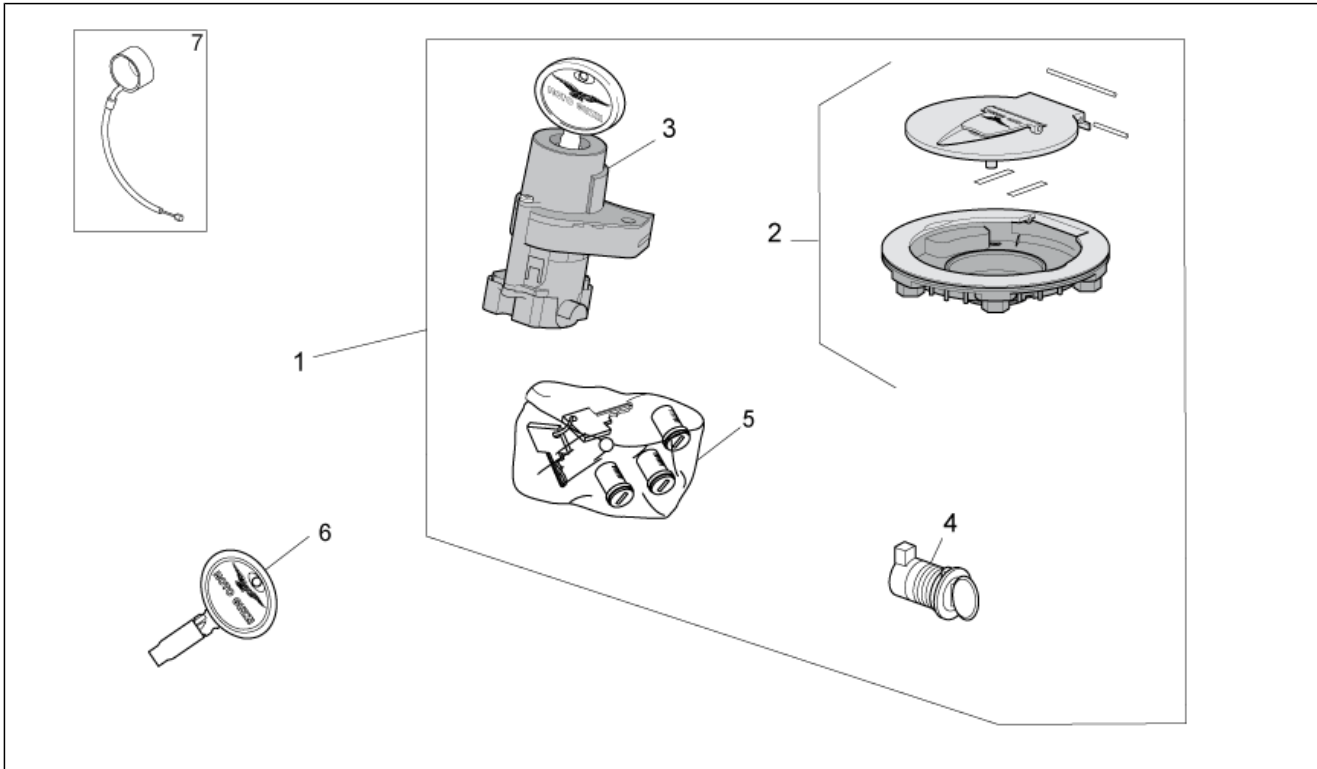
Pos.	Code	Description	Qty	Variants
1	977521	Main wiring harness	1	
2	883818	Battery	1	Vehicle colour:Vehicle with YT20-BS battery[D]
2	GU05704531	Battery 12V-20Ah	1	Vehicle colour:vehicles with battery YTX20CH -BS[C]
3	883819	Battery cover	1	Vehicle colour:Vehicle with YT20-BS battery[D]
3	GU05704630	Battery cover	1	Vehicle colour:vehicles with battery YTX20CH -BS[C]
4	AP8152329	Phillips screw, SWP M5x20	2	
5	AP8117200	Adhesive sponge	1	
6	AP8120177	Headlight supp.snap	2	
7	AP8144553	Support rubber part	2	
8	977520	Wiring	1	
9	AP8112811	Rubber fuse box	2	
10	GU28742562	Fuse 30A	3	
11	978505	Ground-battery lead	1	Vehicle colour:Vehicle with YT20-BS battery[D]
11	GU05747930	Ground-battery lead	1	Vehicle colour:vehicles with battery YTX20CH -BS[C]
12	AP8152277	Screw w/ flange M6x12	1	
13	AP8124768	Socket	1	
14	AP8124266	Inclination sensor	1	
15	AP8144046	Rubber sensor support	1	
16	AP8124869	Injection relay	1	
17	AP8220546	Relay rubber	1	
18	AP8224462	Relay 12V/30A	3	
19	AP8220283	Rubber spacer *	3	
20	977773	Fuse 20A	2	
21	977772	Fuse 15A	4	
22	977769	Fuse 3A	2	
23	977771	Fuse 10A	1	
24	GU95129131	Washer 8,4x15x1,7	1	
25	GU92609408	Nut M8x1,25	1	

<b>Group</b>	FRAME
<b>Code</b>	33.49
<b>Description</b>	Electrical system II
<b>Service</b>	1



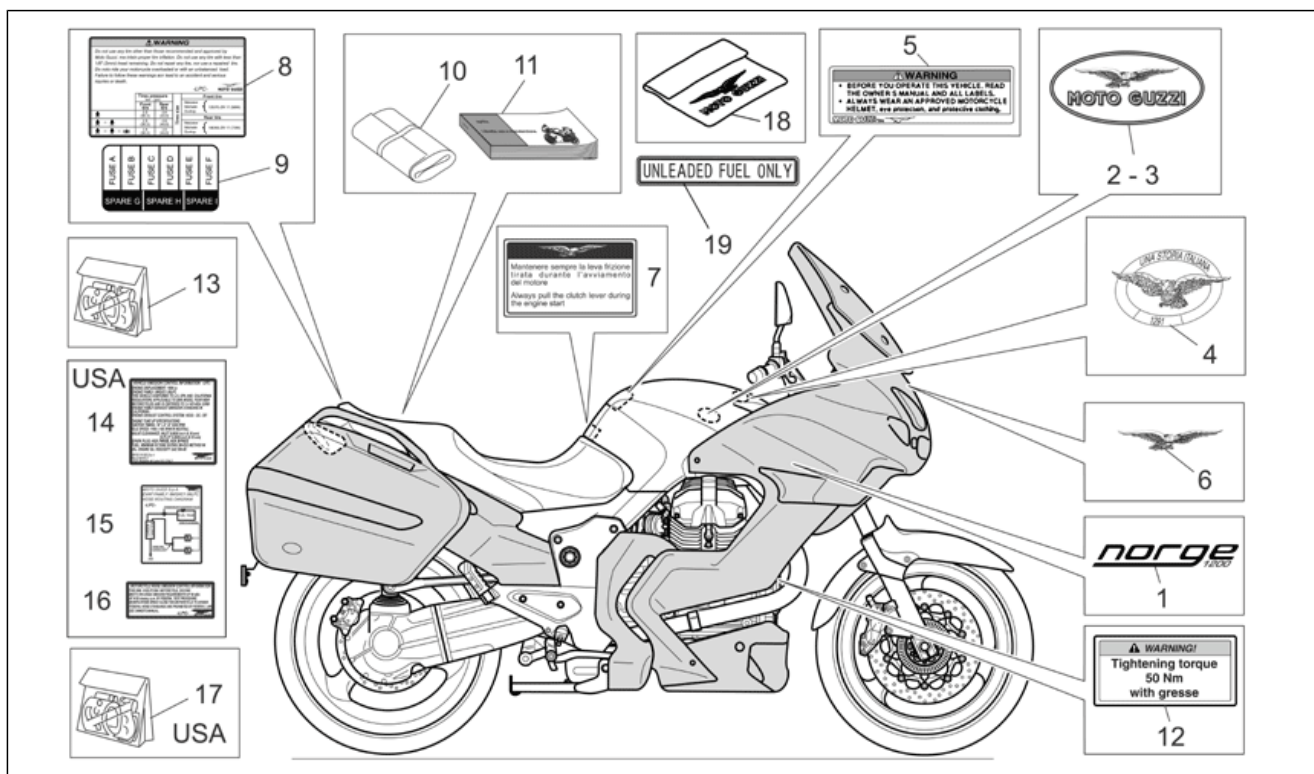
Pos.	Code	Description	Qty	Variants
26	GU14609650	Hose clamp 3,6x20,6	22	
26	GU30609600	Hose clamp 8,8x185	1	
27	977761	Fuse ABS-25A	2	
28	977762	Fuse ABS-40A	2	

<b>Group</b>	FRAME
<b>Code</b>	33.50
<b>Description</b>	Lock hardware kit
<b>Service</b>	1



Pos.	Code	Description	Qty	Variants
1	977666	Lock kit	1	<b>Country:</b> Australia[AUS], Other country[EU], Japan[J], Great Britain[UK]
1	B063858	Lock kit	1	<b>Country:</b> United States of America[USA]
2	GU05103930	Tank cap	1	
3	B063859	Main switch - steering lock	1	<b>Country:</b> United States of America[USA]
3	GU05782530	Main switch - steering lock	1	<b>Country:</b> Australia[AUS], Other country[EU], Japan[J], Great Britain[UK]
4	GU05466830	Saddle lock	1	
5	978220	Rotor kit with key	1	
6	GU05735530	Non indented key blank	1	
7	981087	Immobilizer antenna	1	

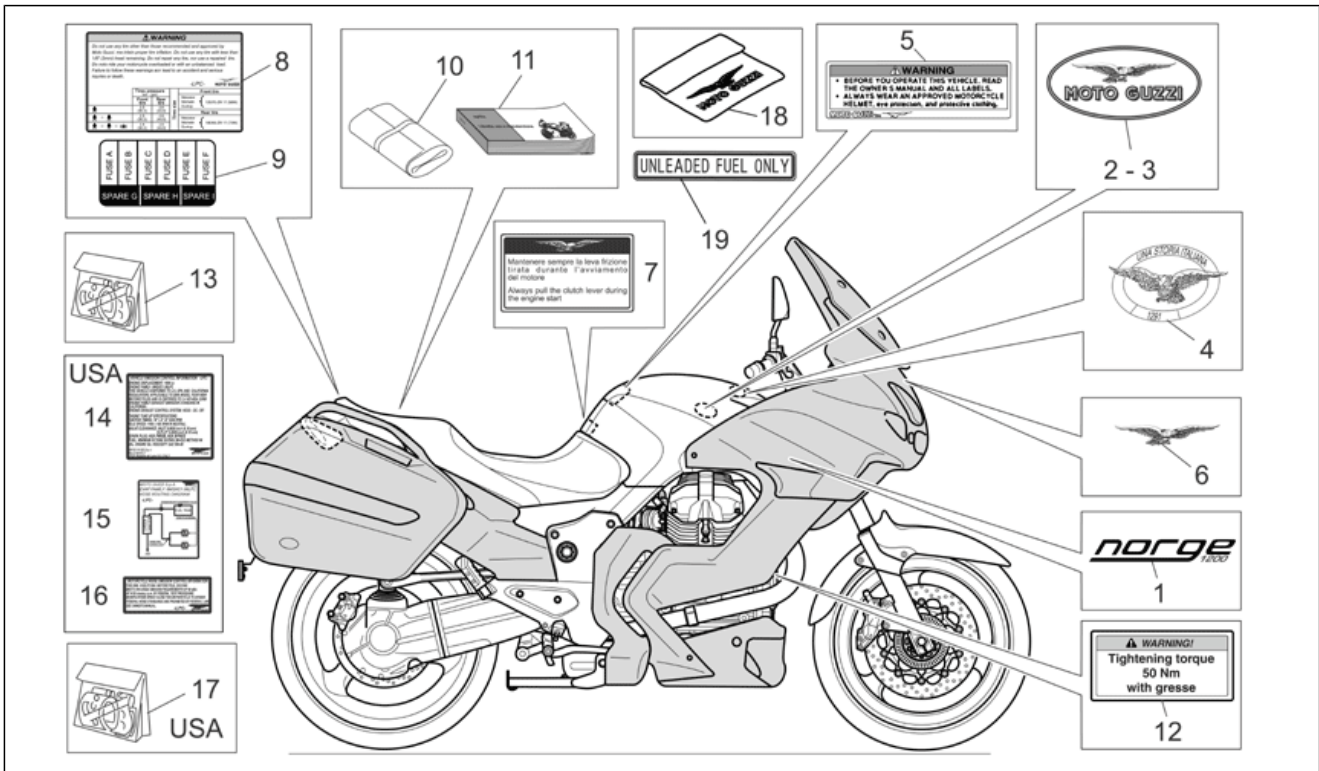
<b>Group</b>	FRAME
<b>Code</b>	33.51
<b>Description</b>	Plate set-decal-op.handbooks
<b>Service</b>	1



Pos.	Code	Description	Qty	Variants
1	977671	Black decal Norge 1200	2	<b>Vehicle colour:</b> Excalibur grey 2006[e/gr], Race Red 2006[r/re] <b>Technical Specifications:</b> Versione "GT"[GT], Versione "GTL"[GTL], Versione "T"[T], Versione "TL"[TL]
1	978104	Stic.silver Norge 1200	2	<b>Vehicle colour:</b> Graphite Black 2006[g/bl] <b>Technical Specifications:</b> Versione "GT"[GT], Versione "GTL"[GTL], Versione "T"[T], Versione "TL"[TL]
2	GU06917400	LH Name plate,red/gold AL	1	
3	GU06917300	RH Name plate,red/gold AL	1	
4	GU05917530	Decal "Italian Story"	1	<b>Technical Specifications:</b> Versione "GT"[GT], Versione "GTL"[GTL], Versione "T"[T], Versione "TL"[TL]
5	GU30944300	Decal "Attention"	1	
6	977682	"Aquila" decal	1	
7	GU05944930	Decal Engine Start	1	
8	GU05926030	Tyre pressure decal	1	<b>Country:</b> Australia[AUS], Other country[EU], Japan[J], Great Britain[UK]
9	GU05945030	Sticker "schema fusibili"	1	
10	GU05909930	Toolkit	1	
11	978133	Operator's handbook I	1	<b>Technical Specifications:</b> State police version[P.S.]
11	978167	Operator's handbook	1	<b>Country:</b> United States of America[USA] <b>Technical Specifications:</b> Versione "GT"[GT], Versione "GTL"[GTL], Versione "T"[T], Versione "TL"[TL]
11	978313	Operator's handbook I-F-D-NL	1	<b>Country:</b> Australia[AUS], Other country[EU], Japan[J], Great Britain[UK] <b>Technical Specifications:</b> Versione "GT"[GT], Versione "GTL"[GTL], Versione "T"[T], Versione "TL"[TL]
12	GU05944530	Decal Warning	1	
13	883333	Decal set	1	<b>Technical Specifications:</b> State police version[P.S.]
13	977777	Decal set	1	<b>Technical Specifications:</b> Versione "GT"[GT], Versione "GTL"[GTL], Versione "T"[T], Versione "TL"[TL]
14	883395	Emission control sticker	1	<b>Year:</b> 2009[9] <b>Country:</b> United States of America[USA]

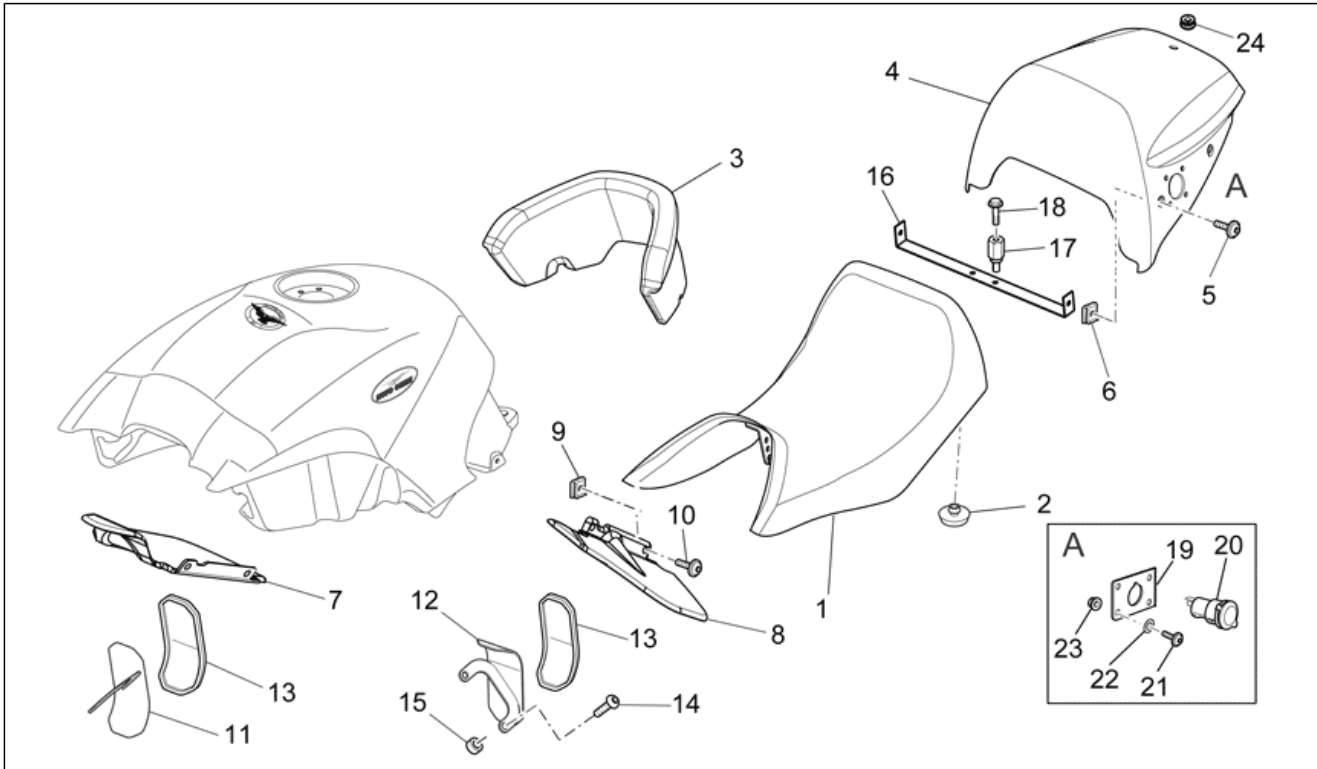


<b>Group</b>	FRAME
<b>Code</b>	33.51
<b>Description</b>	Plate set-decal-op.handbooks
<b>Service</b>	1



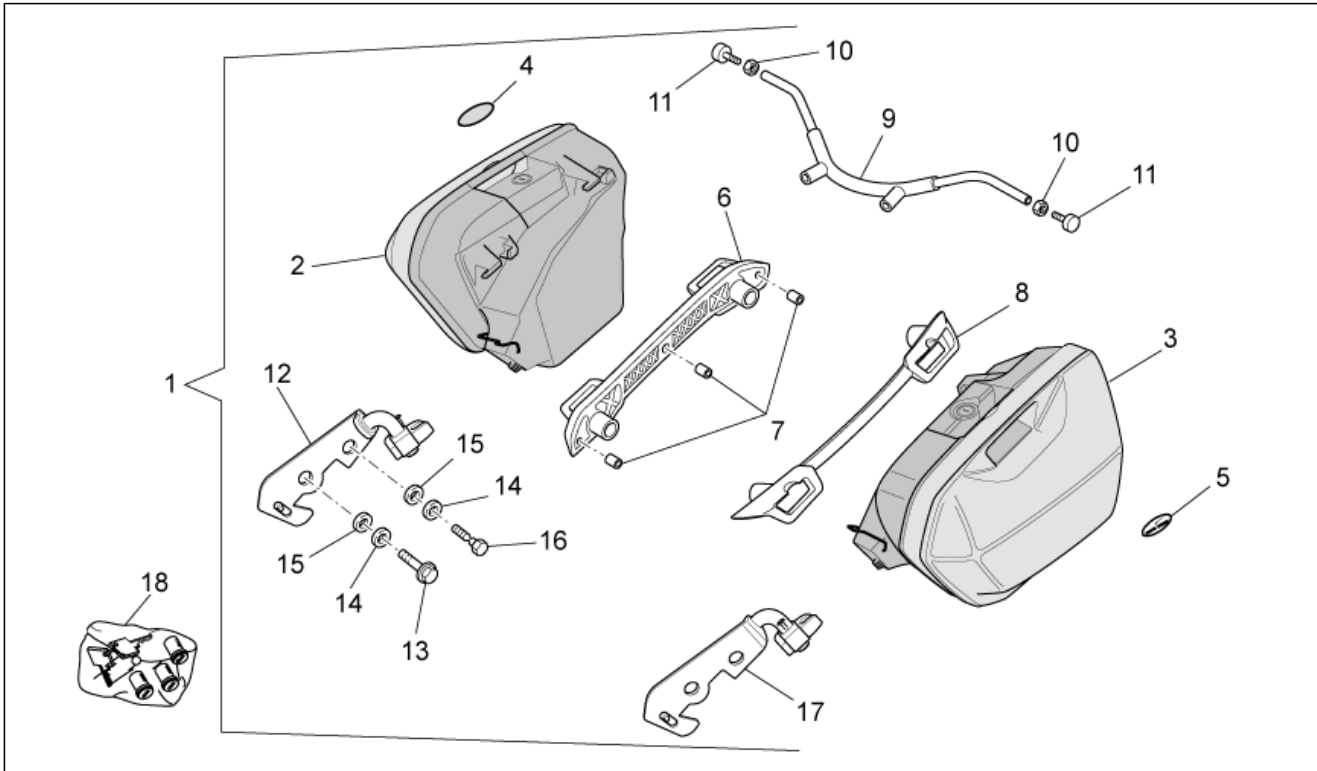
Pos.	Code	Description	Qty	Variants
14	883806	Emission control sticker	1	Year:2010[A] Country:United States of America[USA]
14	978190	Emission control sticker	1	Year:2007[7] Country:United States of America[USA]
15	883396	Carbon filter sticker	1	Year:2009[9] Country:United States of America[USA]
15	883807	Carbon filter sticker	1	Year:2010[A] Country:United States of America[USA]
15	977577	Carbon filter sticker	1	Year:2007[7] Country:United States of America[USA]
16	883394	Noise emission sticker	1	Year:2009[9] Country:United States of America[USA]
16	883805	Noise emission sticker	1	Year:2010[A] Country:United States of America[USA]
16	978189	Noise emission sticker	1	Year:2007[7] Country:United States of America[USA]
17	GU05923330	Technical decal set	1	Country:United States of America[USA]
18	GU30970200	Bike cover	1	
19	GU03995730	Decal "Unleaded Fuelonly"	1	Country:Australia[AUS]

<b>Group</b>	FRAME
<b>Code</b>	33.71
<b>Description</b>	Police Body
<b>Service</b>	1



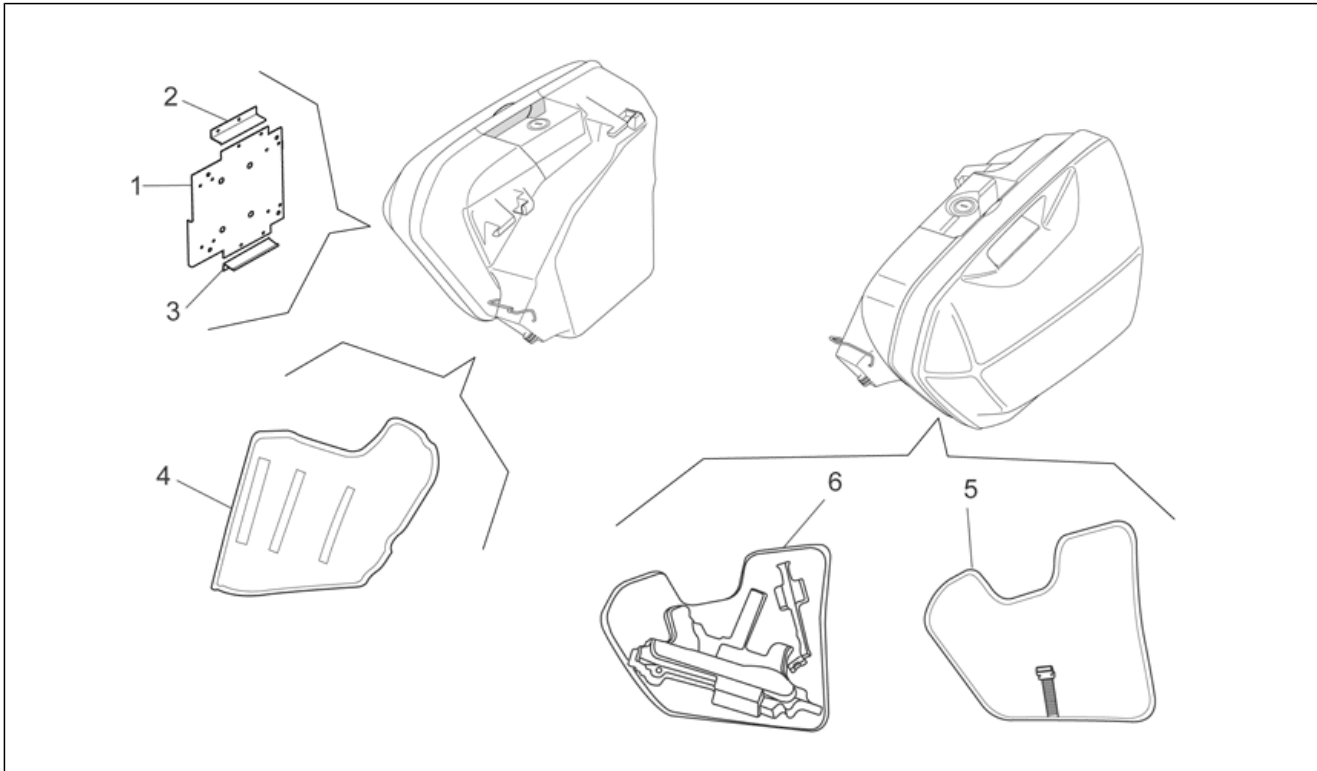
Pos.	Code	Description	Qty	Variants
1	883323	Saddle, black (one p)	1	Technical Specifications:State police version[P.S.]
2	GU32461810	Rubber spacer	6	Technical Specifications:State police version[P.S.]
3	978074	Tank cover	1	Technical Specifications:State police version[P.S.]
4	88331800YA1	Rear fairing, cyan	1	Vehicle colour:Cyan 2008[az.] Technical Specifications:State police version[P.S.]
5	AP8152302	Screw w/ flange M5x12	4	Technical Specifications:State police version[P.S.]
6	AP8102375	Clip m5	4	Technical Specifications:State police version[P.S.]
7	883357	RH heat protection	1	Technical Specifications:State police version[P.S.]
8	883358	LH heat protection	1	Technical Specifications:State police version[P.S.]
9	GU98370412	Hex socket screw M4x12	4	Technical Specifications:State police version[P.S.]
10	AP8102381	Clip M4	4	Technical Specifications:State police version[P.S.]
11	977044	RH protection	1	Technical Specifications:State police version[P.S.]
12	977045	LH protection	1	Technical Specifications:State police version[P.S.]
13	GU18941750	Rubber spacer	2	Technical Specifications:State police version[P.S.]
14	GU05025932	screw M6x50	4	Technical Specifications:State police version[P.S.]
15	GU91180720	Spacer 7x10x22	4	Technical Specifications:State police version[P.S.]
16	977993	Bracket	1	Technical Specifications:State police version[P.S.]
17	978619	Stud bolt	2	Technical Specifications:State police version[P.S.]
18	AP8152272	Screw w/ flange M5x12	2	Technical Specifications:State police version[P.S.]
19	978208	Support plate	1	Technical Specifications:State police version[P.S.]
20	AP8124768	Socket	1	
21	GU98230518	Hex socket screw	4	Technical Specifications:State police version[P.S.]
22	AP8150248	Washer 5,5x15x1,6	4	Technical Specifications:State police version[P.S.]
23	GU92630205	Nut	4	Technical Specifications:State police version[P.S.]
24	GU93180111	Cover 15 mm	1	Technical Specifications:State police version[P.S.]

<b>Group</b>	FRAME
<b>Code</b>	33.72
<b>Description</b>	Side cases
<b>Service</b>	1



Pos.	Code	Description	Qty	Variants
1	88323300YA1	Suitcase kit	1	Vehicle colour:Cyan 2008[az.] Technical Specifications:State police version[P.S.]
2	88323400YA1	RH case, cyan	1	Vehicle colour:Cyan 2008[az.] Technical Specifications:State police version[P.S.]
3	88323500YA1	LH case, cyan	1	Vehicle colour:Cyan 2008[az.] Technical Specifications:State police version[P.S.]
4	977303	"Moto Guzzi" dataplate	1	Technical Specifications:State police version[P.S.]
5	977218	Aluminium plate	1	Technical Specifications:State police version[P.S.]
6	GU05485030	RH support	1	Technical Specifications:State police version[P.S.]
7	AP8144629	Rubber spacer *	6	Technical Specifications:State police version[P.S.]
8	GU05486530	LH support	1	Technical Specifications:State police version[P.S.]
9	GU05486830	Side case connect.crosspiece	1	Technical Specifications:State police version[P.S.]
10	AP8150333	Serpress nut	2	Technical Specifications:State police version[P.S.]
11	AP8706329	Saddle rubber	2	Technical Specifications:State police version[P.S.]
12	GU05485130	RH connecting *	1	Technical Specifications:State police version[P.S.]
13	AP8152278	Screw w/ flange M6x16	2	Technical Specifications:State police version[P.S.]
14	AP8150429	Spring washer 6,4x11x0,5*	2	Technical Specifications:State police version[P.S.]
15	AP8150015	Washer 6,6x18x1,6*	2	Technical Specifications:State police version[P.S.]
16	AP8152140	Shear rivet M6x17	2	Technical Specifications:State police version[P.S.]
17	GU05486630	LH connecting	1	Technical Specifications:State police version[P.S.]
18	978220	Rotor kit with key	1	Technical Specifications:State police version[P.S.]

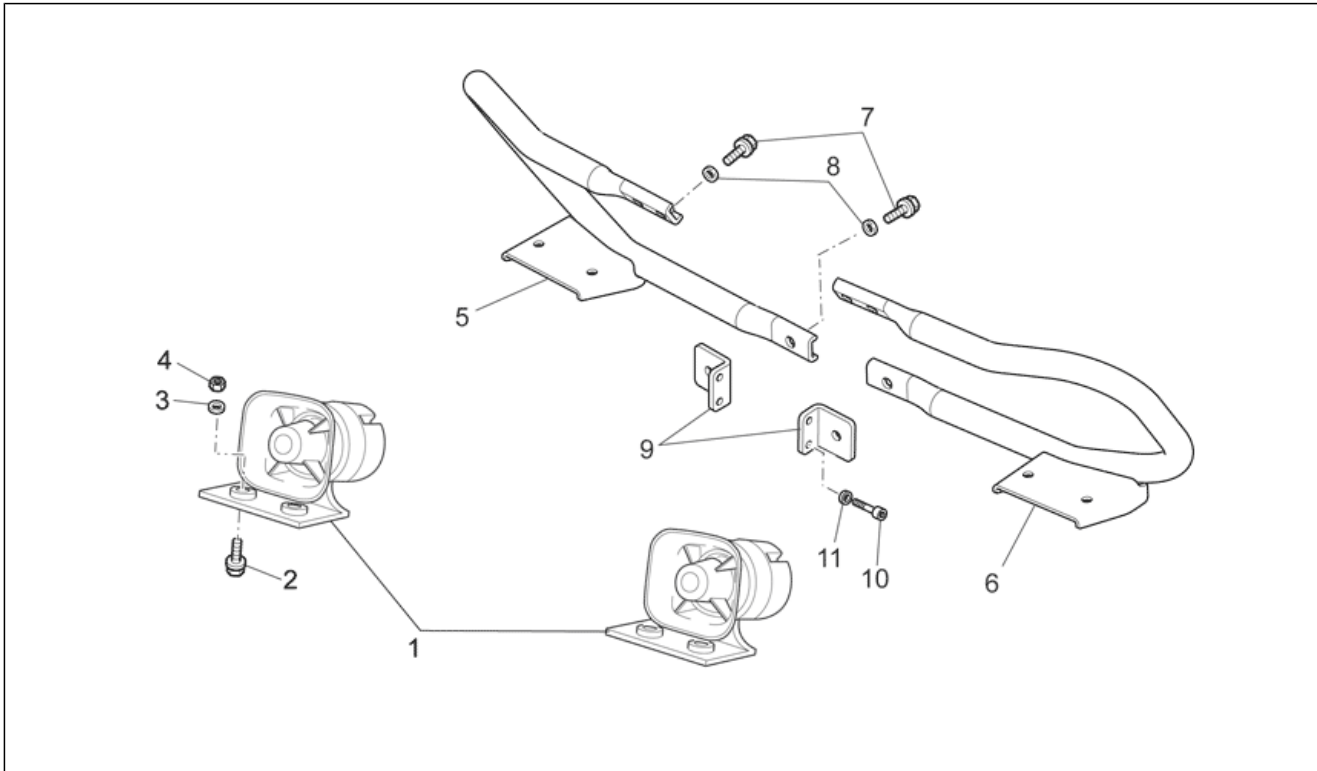
<b>Group</b>	FRAME
<b>Code</b>	33.73
<b>Description</b>	Police Side cases II
<b>Service</b>	1



Pos.	Code	Description	Qty	Variants
1	883329	Radio support	1	Technical Specifications:State police version[P.S.]
2	883308	Maintenance	1	Technical Specifications:State police version[P.S.]
3	883309	Maintenance	1	Technical Specifications:State police version[P.S.]
4	883326	Separator	1	Technical Specifications:State police version[P.S.]
5	883325	LH bags Separator	1	Technical Specifications:State police version[P.S.]
6	883324	Rubber seal weapon	1	Technical Specifications:State police version[P.S.]

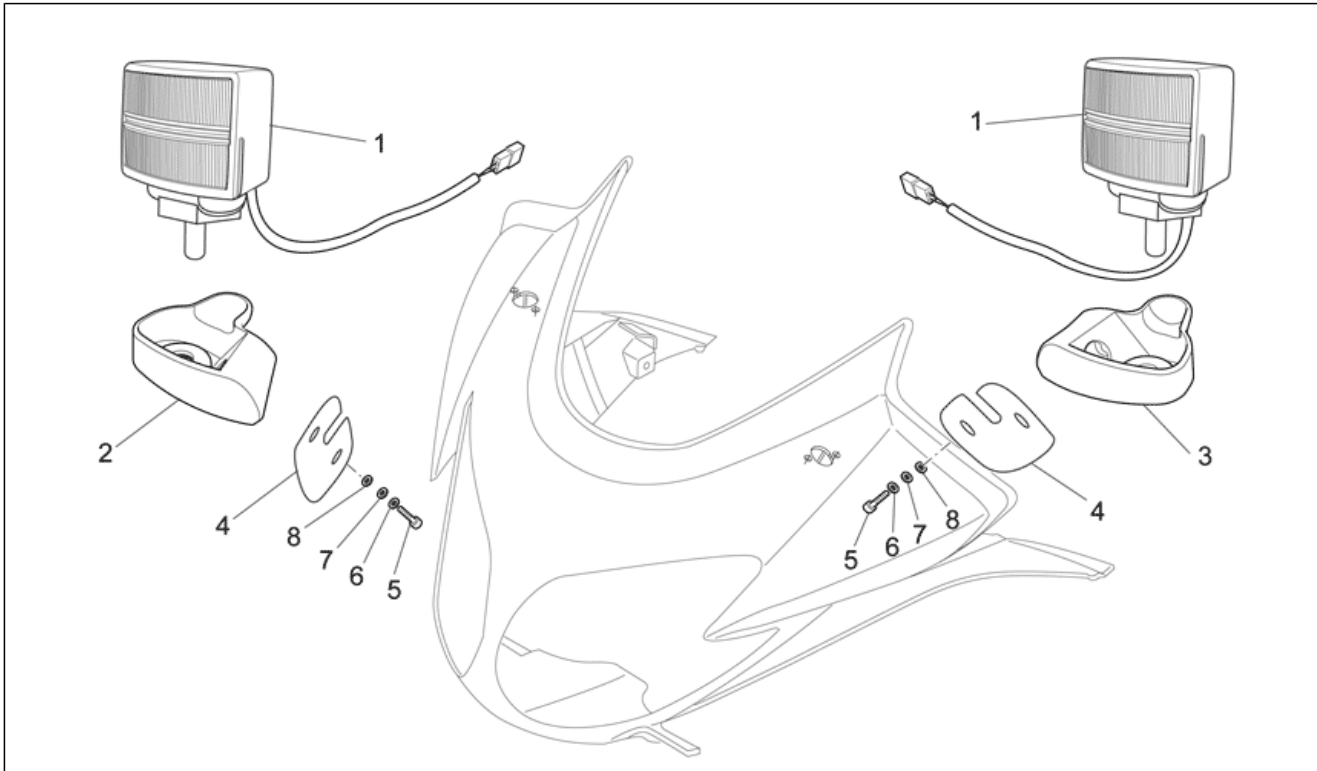


<b>Group</b>	FRAME
<b>Code</b>	33.74
<b>Description</b>	Sirens
<b>Service</b>	1



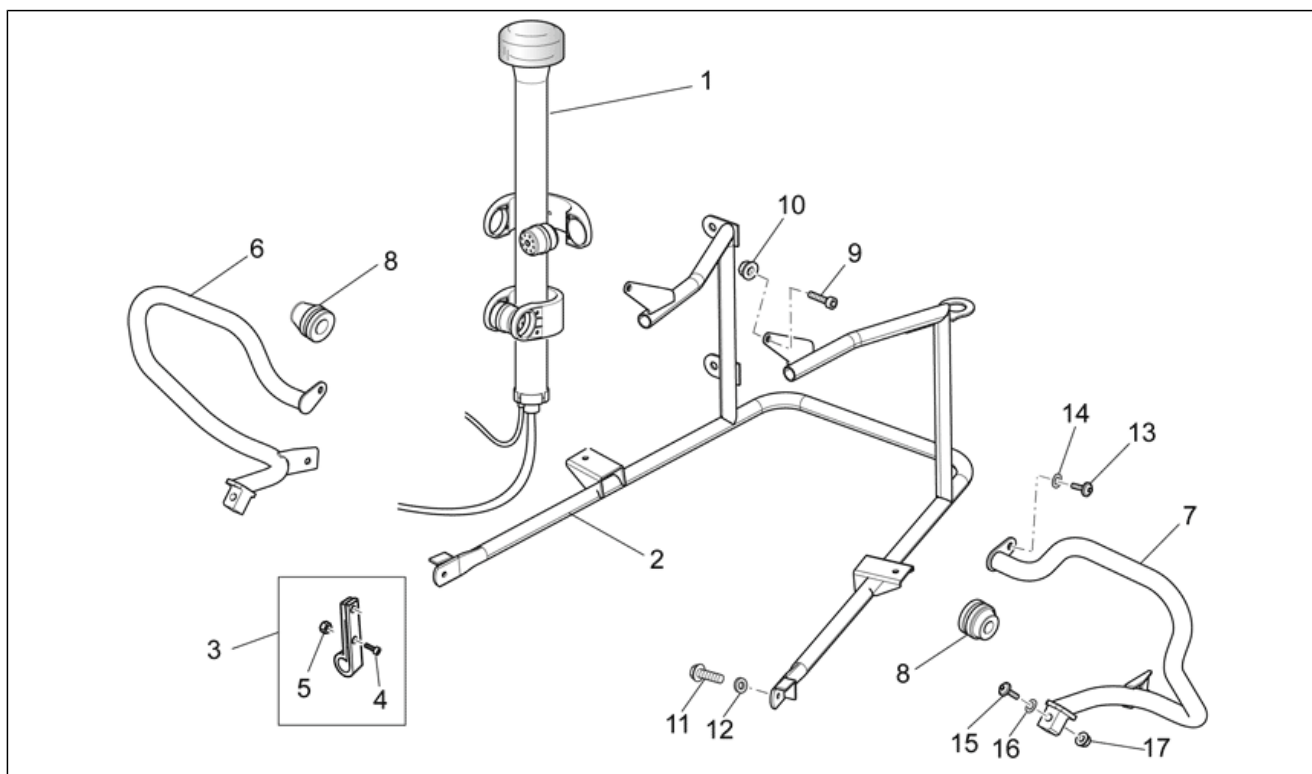
Pos.	Code	Description	Qty	Variants
1	883330	siren kit	1	Technical Specifications:State police version[P.S.]
2	AP8152280	Screw w/ flange M6x25	4	Technical Specifications:State police version[P.S.]
3	GU95100141	Washer 6,4x12x1,2	4	Technical Specifications:State police version[P.S.]
4	AP8152299	Self-locking nut M6	4	Technical Specifications:State police version[P.S.]
5	883362	RH front bumper	1	Technical Specifications:State police version[P.S.]
6	883361	LH front bumper	1	Technical Specifications:State police version[P.S.]
7	AP8152287	Screw w/ flange M8x25	6	Technical Specifications:State police version[P.S.]
8	GU14615901	Washer 8,4X13X0,8	6	Technical Specifications:State police version[P.S.]
9	977930	Plate	2	Technical Specifications:State police version[P.S.]
10	GU98682310	Hex socket screw M6x10	4	Technical Specifications:State police version[P.S.]
11	GU14217901	Washer 6,4x10x0,7	4	Technical Specifications:State police version[P.S.]

<b>Group</b>	FRAME
<b>Code</b>	33.75
<b>Description</b>	Front strobe light
<b>Service</b>	1



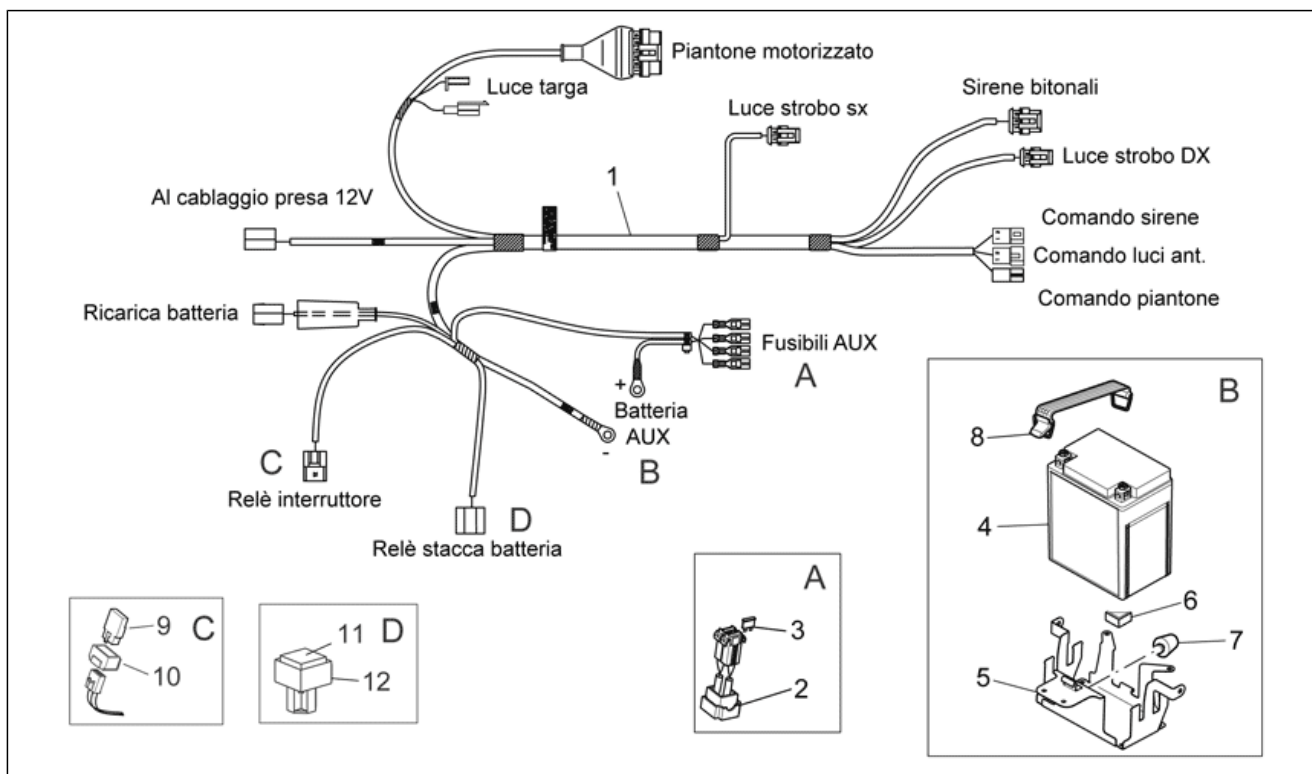
Pos.	Code	Description	Qty	Variants
1	883388	strobo light, blue	2	Technical Specifications:State police version[P.S.]
2	977970	RH headlight supp.	1	Technical Specifications:State police version[P.S.]
3	977969	LH headlight supp.	1	Technical Specifications:State police version[P.S.]
4	978215	Plate	2	Technical Specifications:State police version[P.S.]
5	AP8150280	Hex socket screw	4	Technical Specifications:State police version[P.S.]
6	GU95008305	Washer 5,3X10X1	4	Technical Specifications:State police version[P.S.]
7	GU29217960	Washer 5,9X3X0,8	4	Technical Specifications:State police version[P.S.]
8	AP8150248	Washer 5,5x15x1,6	4	Technical Specifications:State police version[P.S.]

<b>Group</b>	FRAME
<b>Code</b>	33.76
<b>Description</b>	Motorized strobo kit
<b>Service</b>	1



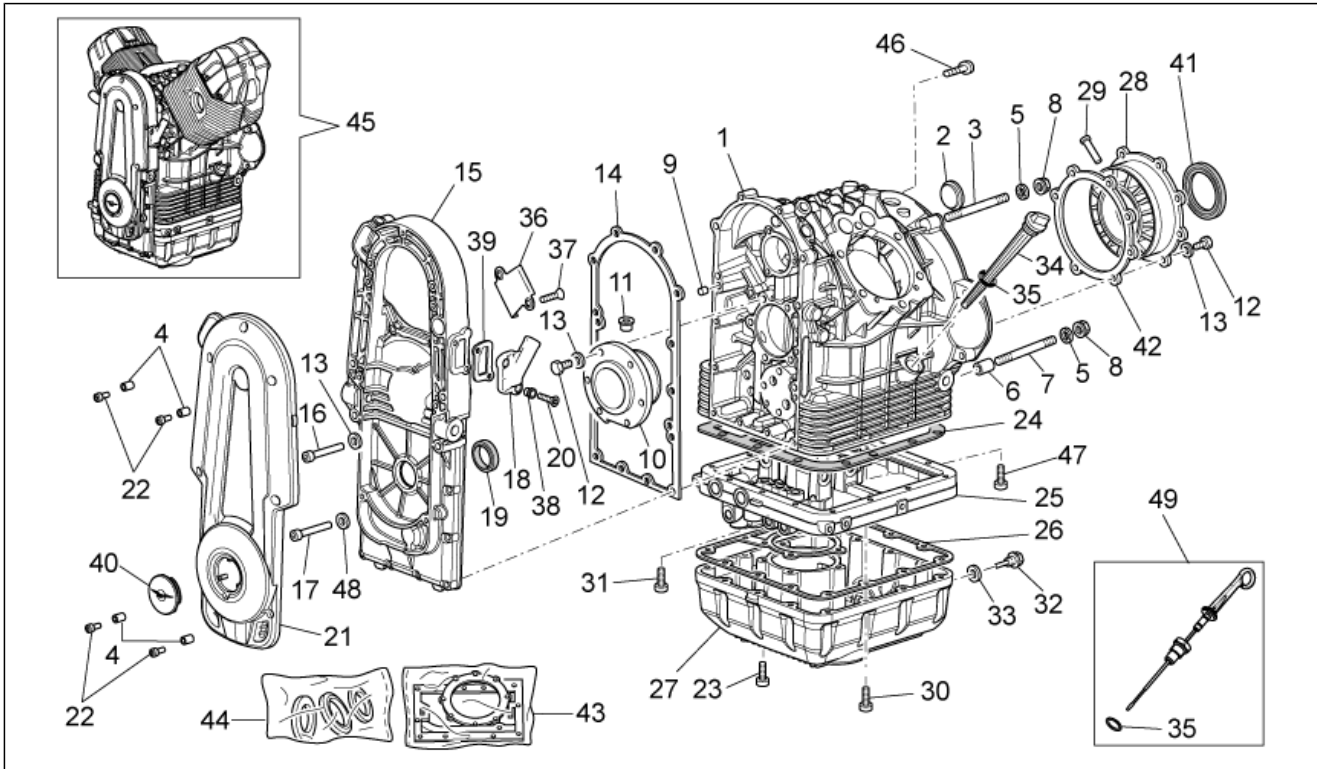
Pos.	Code	Description	Qty	Variants
1	883331	Motorized strobo kit	1	Technical Specifications:State police version[P.S.]
2	883365	Strobo support	1	Technical Specifications:State police version[P.S.]
3	GU03658330	Hose clamp	1	Technical Specifications:State police version[P.S.]
4	GU98257410	screw	1	Technical Specifications:State police version[P.S.]
5	GU92630104	Nut M4x0,7	1	Technical Specifications:State police version[P.S.]
6	883364	RH rear bumper	1	Technical Specifications:State police version[P.S.]
7	883363	LH rear bumper	1	Technical Specifications:State police version[P.S.]
8	GU80596810	Fairlead	4	Technical Specifications:State police version[P.S.]
9	GU98680480	screw	2	Technical Specifications:State police version[P.S.]
10	GU92650138	Nut M8x1,25	2	Technical Specifications:State police version[P.S.]
11	AP8152278	Screw w/ flange M6x16	2	Technical Specifications:State police version[P.S.]
12	GU14217901	Washer 6,4x10x0,7	2	Technical Specifications:State police version[P.S.]
13	GU98350416	Hex socket screw M8x16	2	Technical Specifications:State police version[P.S.]
14	GU14615901	Washer 8,4X13X0,8	2	Technical Specifications:State police version[P.S.]
15	GU98370850	Hex socket screw	2	Technical Specifications:State police version[P.S.]
16	GU95005308	Washer 8,4x14,57x1,6	2	Technical Specifications:State police version[P.S.]
17	AP8152300	Self-locking nut M8	2	Technical Specifications:State police version[P.S.]

<b>Group</b>	FRAME
<b>Code</b>	33.77
<b>Description</b>	Police auxiliary Electrical system
<b>Service</b>	1



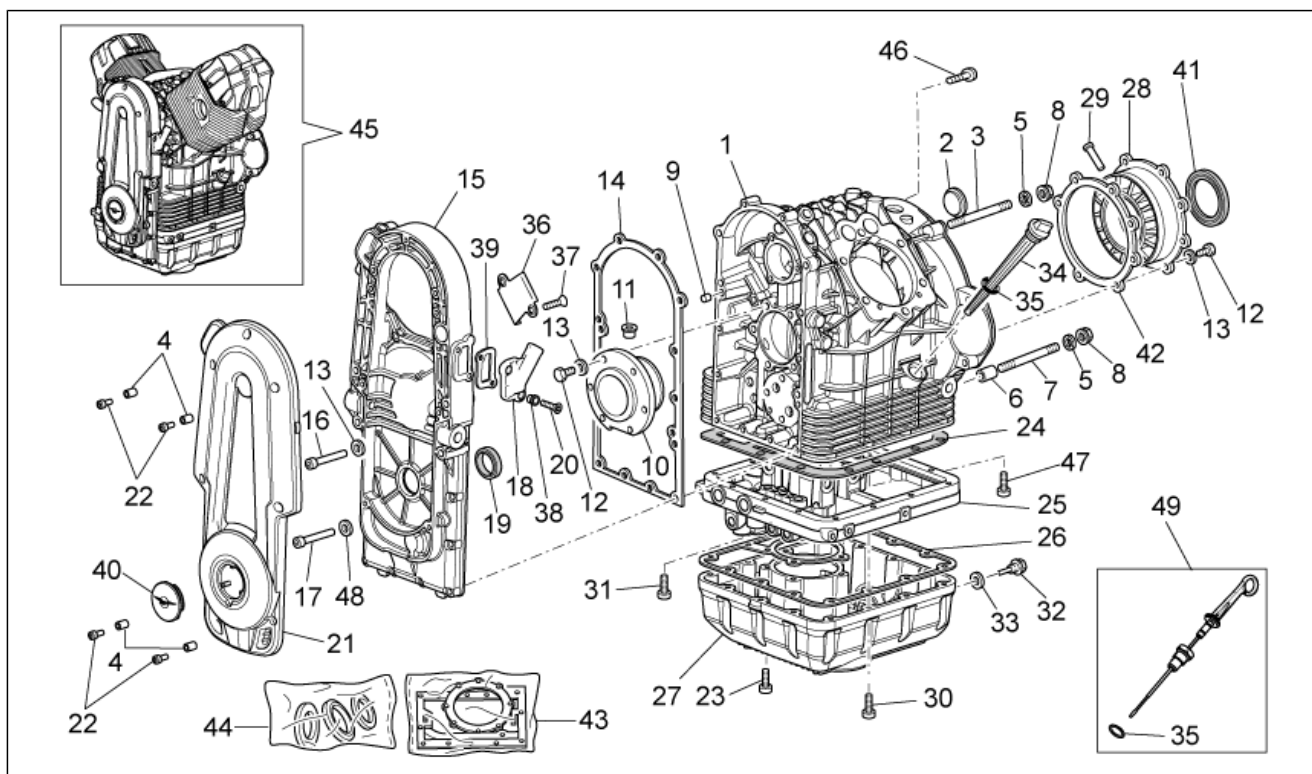
Pos.	Code	Description	Qty	Variants
1	883353	Auxiliary wiring harness	1	Technical Specifications:State police version[P.S.]
2	AP8112811	Rubber fuse box	1	Technical Specifications:State police version[P.S.]
3	GU28742560	Fuse 15A	2	Technical Specifications:State police version[P.S.]
3	GU28742561	Fuse 20A	2	Technical Specifications:State police version[P.S.]
4	GU01704501	Battery 12V-13A	1	Technical Specifications:State police version[P.S.]
5	883304	Battery holder	1	Technical Specifications:State police version[P.S.]
6	GU30707301	Angle bar	4	Technical Specifications:State police version[P.S.]
7	GU93180577	Rubber spacer	1	Technical Specifications:State police version[P.S.]
8	978195	Battery fixing snap	1	Technical Specifications:State police version[P.S.]
9	AP8224462	Relay 12V/30A	1	Technical Specifications:State police version[P.S.]
10	AP8220283	Rubber spacer *	1	Technical Specifications:State police version[P.S.]
11	GU32743980	Relay	1	Technical Specifications:State police version[P.S.]
12	AP8220546	Relay rubber	1	Technical Specifications:State police version[P.S.]

<b>Group</b>	ENGINE
<b>Code</b>	34.52
<b>Description</b>	Crank-case
<b>Service</b>	1



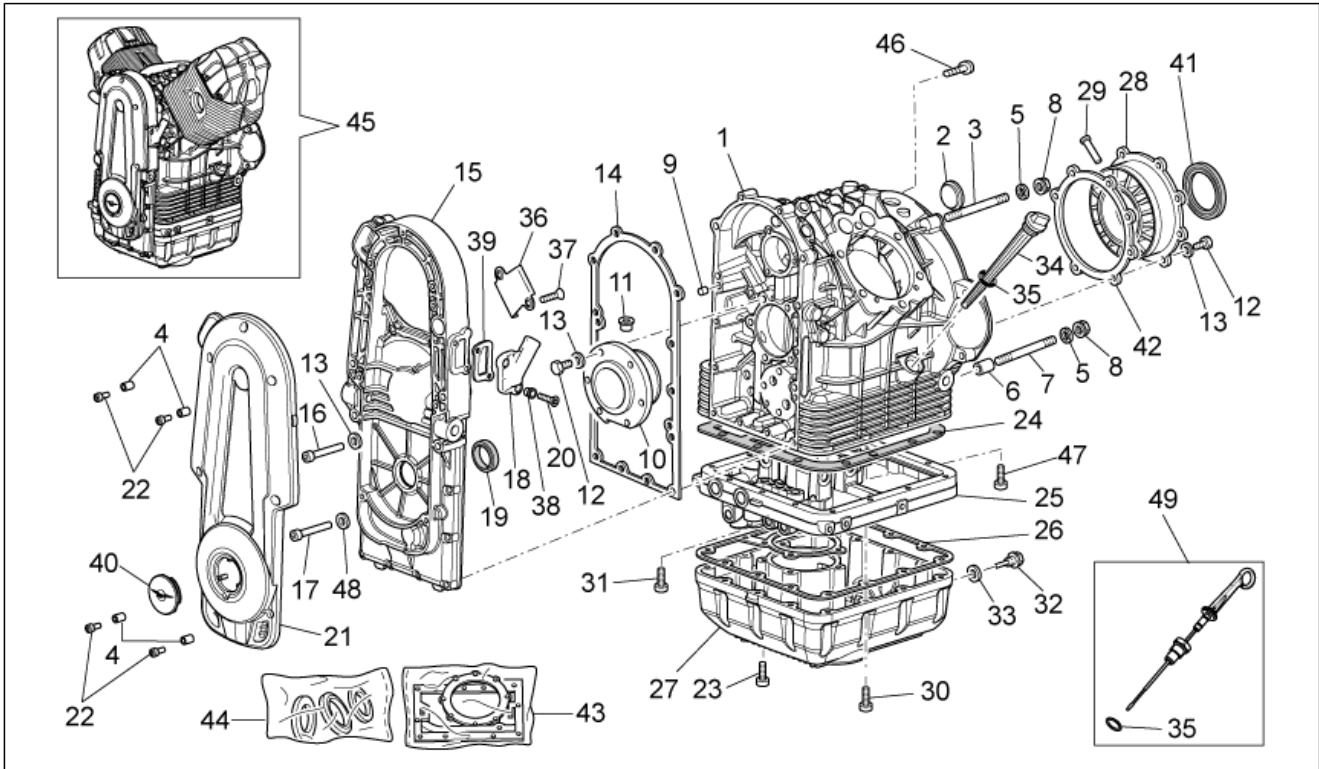
Pos.	Code	Description	Qty	Variants
1	976110	Crankcase, grey	1	
2	GU12003900	Disc	1	
3	GU96508066	Stud bolt M8X66	3	
4	GU91120606	Bushing 6,8x8,8x5,8	4	
5	GU14615901	Washer 8,4X13X0,8	5	
6	GU12018900	Coupling bush	2	
7	GU96508075	Stud bolt M8x75	2	
8	GU92660021	Flanged nut M8	5	
9	GU95512081	Pin	2	
10	GU14011900	Complete flange	1	
10	GU14011901	Flange min.0,2 mm	1	
11	GU12012200	Pin	1	
12	GU98084425	Hex screw M8x25	14	
13	GU61270300	Spring washer 8x15x0,3	18	
14	GU05001231	Cover gasket	1	
15	976098	Cover grey	1	
16	AP8150046	Hex socket screw M8x55	4	
17	GU98682330	Hex socket screw M6x20	10	
18	GU05007230	Joint	1	
19	GU90412237	Gasket ring 22x35x7viton	1	
20	GU98682320	Hex socket screw M6x20	2	
21	GU05001630	Alternator cover grey	1	
22	GU98682316	Hex socket screw M6x16	4	
23	GU98682330	Hex socket screw M6x20	4	
24	GU01003651	Gasket	1	
25	976083	Flange grey	1	
26	GU05003630	Gasket	1	
27	976101	Oil sump grey	1	

<b>Group</b>	ENGINE
<b>Code</b>	34.52
<b>Description</b>	Crank-case
<b>Service</b>	1



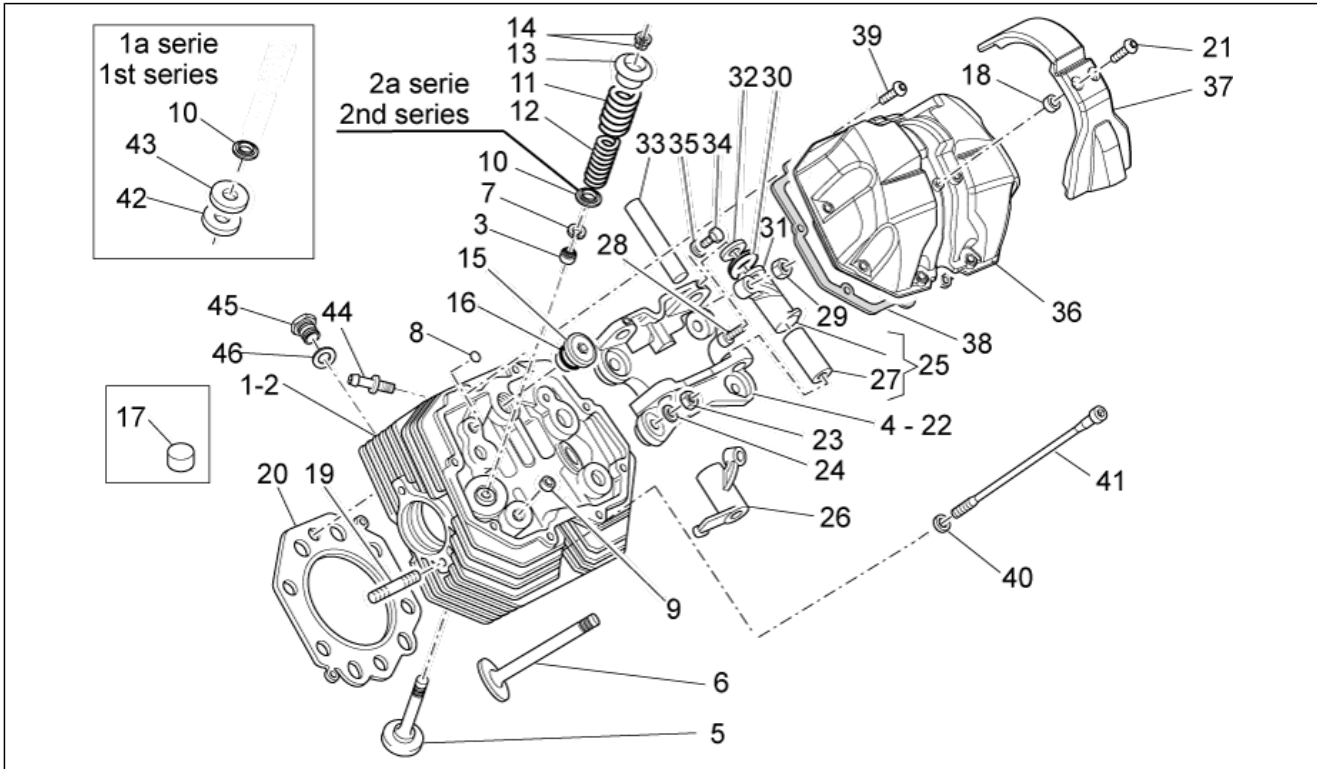
Pos.	Code	Description	Qty	Variants
28	GU12011400	Complete flange	1	
28	GU12011401	Flange min.0,2 mm	1	
28	GU12011402	Flange min.0,4 mm	1	
28	GU12011403	Flange min.0,6 mm	1	
29	GU12011700	Pin	1	
30	AP4ADN000007	Hex socket screw	14	
31	GU98680360	Hex socket screw M6x60	2	
32	GU31003766	Oil unload plug M10x1	1	
33	GU01528930	Gasket 10x18x1,5	1	
34	GU05004930	Oil level plug	1	<b>Technical Specifications:</b> Up to engine a2 15379[M3]
35	GU90706178	O-ring 17,86X2,62	1	
36	GU05007330	Plate	1	
37	GU98257408	screw TSPEI M4x8	2	
38	GU91120607	Bushing 6,4x8,4x10,5	2	
39	GU90706347	O-ring 34,65x1,78viton	1	
40	GU05002130	Cover	1	
41	GU90405367	Gasket ring	1	
42	GU05011830	Gasket	1	
43	976184	Engine gasket set	1	
44	976185	Engine oil seal kit/Gear box	1	
45	976912	Engine cpl.	1	<b>Technical Specifications:</b> Versione "GT"[GT], Versione "GTL"[GTL], Clutch[M5], Versione "T"[T], Versione "TL"[TL], Vecchia distribuzione[VD]
45	976955	Engine cpl.	1	<b>Technical Specifications:</b> Single-plate clutch[M6], From the engine a2 16868 up to the engine a2 16932[M7], State police version[P.S.], Vecchia distribuzione[VD]
45	9769885	Engine cpl.	1	<b>Technical Specifications:</b> Nuova distribuzione a rullini[ND]
46	AP8152291	Screw w/ flange	1	
47	GU98680340	Hex socket screw M6x40	2	

<b>Group</b>	ENGINE
<b>Code</b>	34.52
<b>Description</b>	Crank-case
<b>Service</b>	1



Pos.	Code	Description	Qty	Variants
48	GU95008206	Washer 6,15x11x0,8	8	
49	978496	Oil level rod cpl.	1	<b>Technical Specifications:</b> From the engine a2 15380[M4]

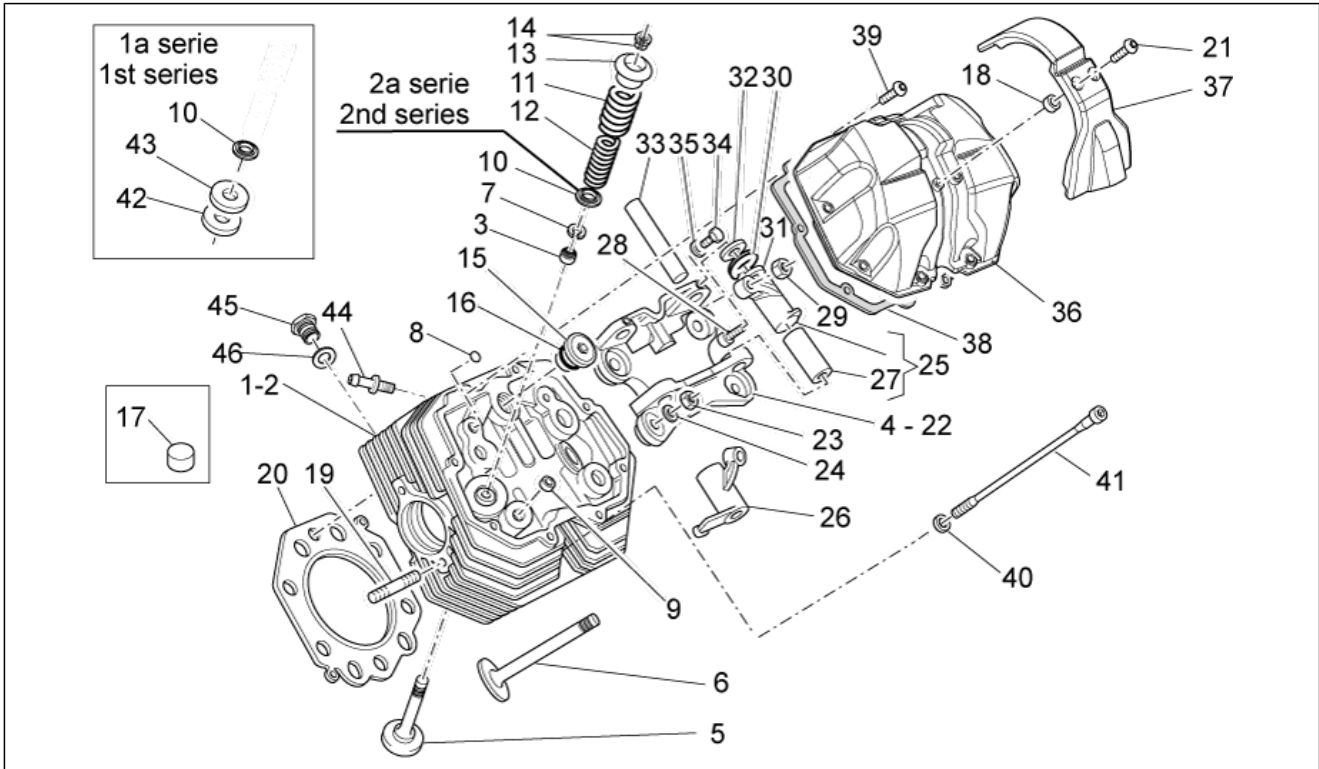
<b>Group</b>	ENGINE
<b>Code</b>	34.53
<b>Description</b>	Cylinder head and valves
<b>Service</b>	1



Pos.	Code	Description	Qty	Variants
1	976079	RH head assy w/h valve grey	1	
2	976080	LH head assy without valve grey	1	
3	976107	Valve stem seal D8	4	
4	976152	RH.Rocker arm support	1	
5	GU05036131	Exhaust valve	2	
6	GU05036030	Intake valve	2	
7	GU90353016	Snap ring	4	
8	224202	O-ring 8,73x1,78-viton	4	
9	825597	Pin 11,8X10	4	
10	976181	Lower cup 14,2x32x7	4	Technical Specifications:2nd Serie[2A]
10	GU01037030	Lower cup 14,2x32x5	4	Technical Specifications:1st Serie[1A]
11	GU37037405	Outer spring	4	
12	GU37037605	Inner spring	4	
13	GU01038060	Upper cup	4	
14	GU01038160	Valve half-cone	8	
15	GU12022600	Oil plug	2	
16	GU90706203	O-ring 20,24X2,62	2	
17	GU05025331	Rubber spacer	18	
18	GU32116810	Bushing 6,8x8,8x9,8	4	
19	GU96508040	Stud bolt	4	
20	976052	Gasket	2	
21	AP8152298	Screw w/ flange M5x16	4	
22	976153	LH.Rocker arm support	1	
23	GU92603010	Nut M10X1,5	8	
24	GU14018400	Washer 10,5X21X1	8	
25	GU14030201	RH rocker arm assy	2	
26	GU14030401	LH rocker arm assy	2	
27	GU91111511	Bushing 15x18x43	4	

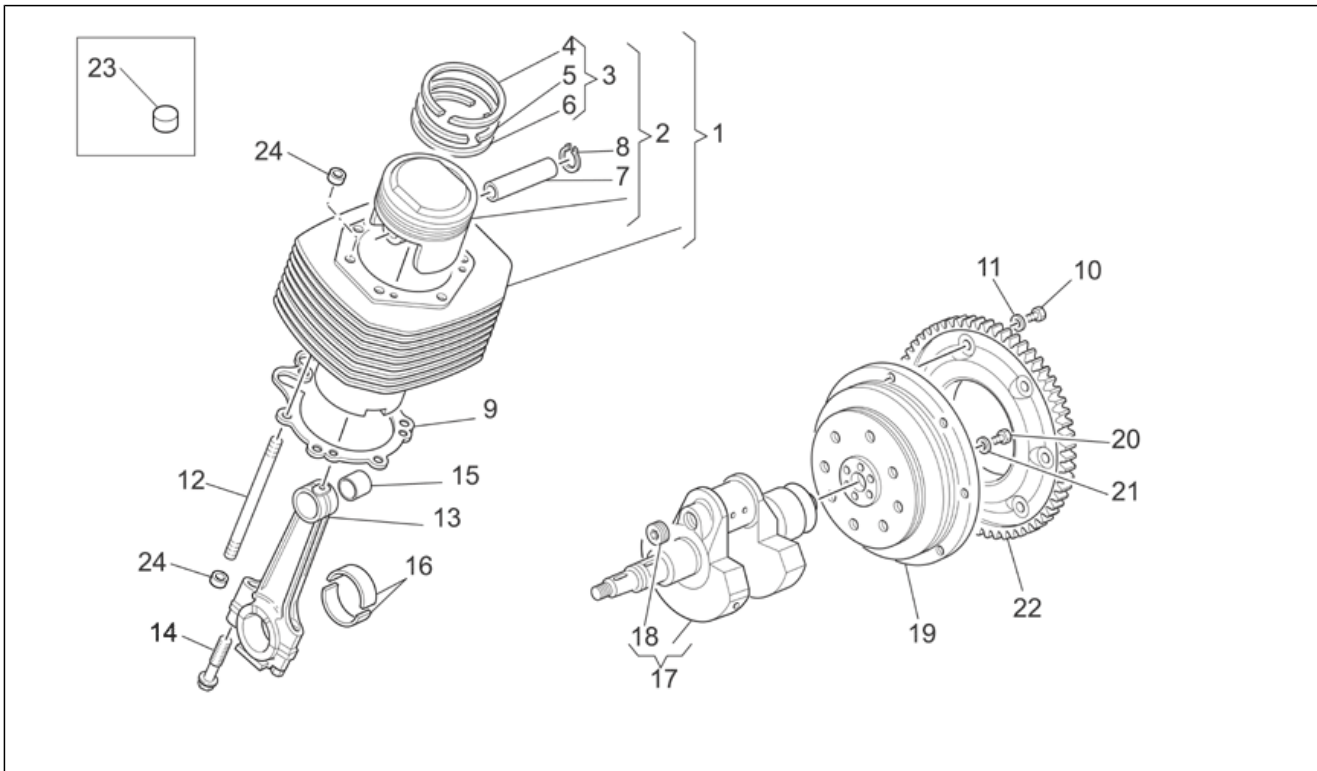


<b>Group</b>	ENGINE
<b>Code</b>	34.53
<b>Description</b>	Cylinder head and valves
<b>Service</b>	1



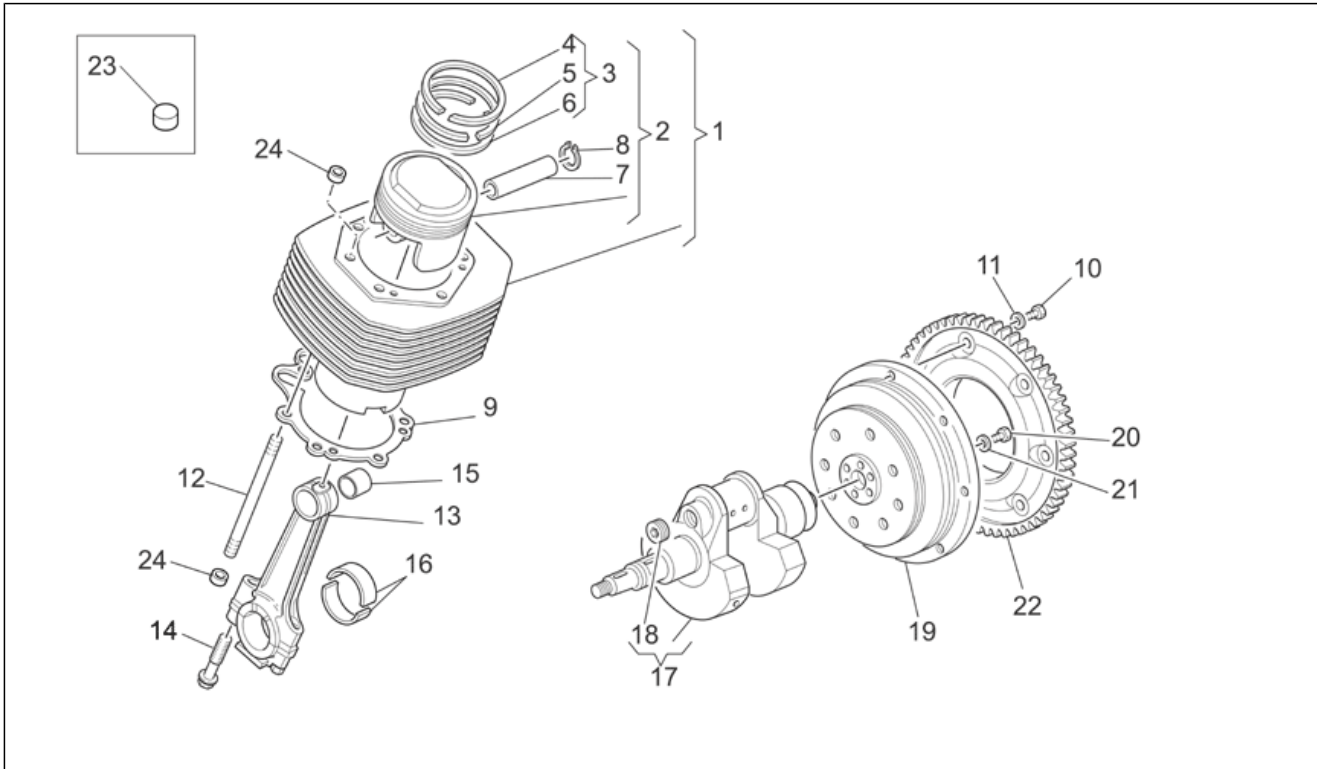
Pos.	Code	Description	Qty	Variants
28	GU17034050	Adjuster screw	4	
29	GU10034100	Nut	4	
30	GU94322215	Spring	4	
31	GU90118152	Washer 15,2x26x1	8	
32	GU10032700	Washer 15,2x26x0,5	4	
33	GU12031800	Rocker shaft	4	
34	GU98084316	Hex screw	4	
35	GU95120065	Washer 6,5x11x2	4	
36	976095	RH/LH head cover grey	2	
37	GU05023430	Insert	2	
38	976139	Cover gasket	2	
39	GU05025930	screw M6x25	16	
40	GU95129180	Washer 10,5X18X0,8	4	
41	976144	screw	4	
42	GU13037200	Washer 14,2x31x1	4	Technical Specifications:1st Serie[1A]
43	GU14037300	Washer 14,2x31x0,3	10	Technical Specifications:1st Serie[1A]
44	GU32023910	Breather union on head	1	
45	976068	Cover	2	
46	969973	Washer	2	

<b>Group</b>	ENGINE
<b>Code</b>	34.54
<b>Description</b>	Drive shaft - Cylinder
<b>Service</b>	1



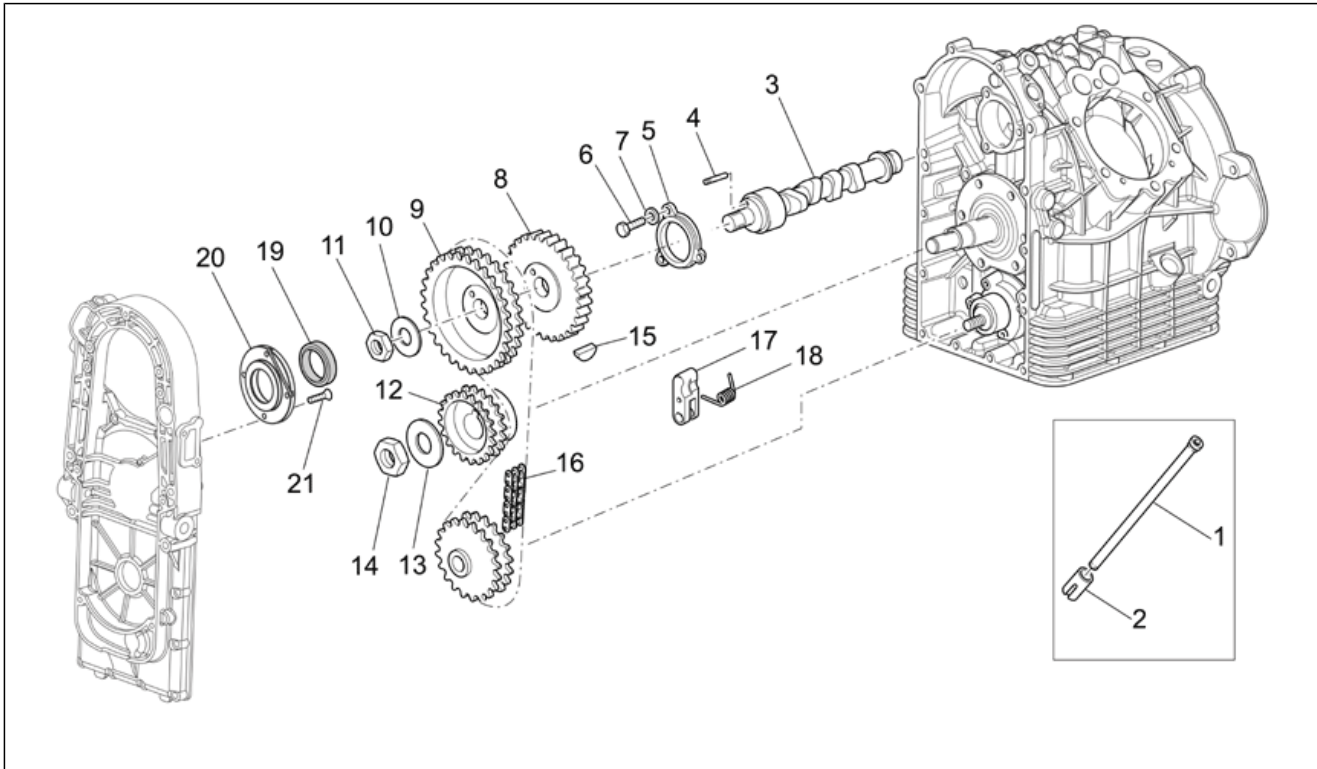
Pos.	Code	Description	Qty	Variants
1	976182	Cylinder with piston	2	
2	976069	Piston assy D.95	2	
3	976183	Pistonring set	2	
4	976070	Piston ring	2	
5	976071	Piston ring	2	
6	976072	Piston ring	2	
7	GU30061241	Piston pin	2	
8	GU90351039	Stop ring	4	
9	976064	Gasket	2	
10	GU37067705	screw	8	<b>Technical Specifications:</b> Versione "GT"[GT], Versione "GTL"[GTL], Clutch[M5], Versione "T"[T], Versione "TL"[TL]
11	GU14217901	Washer 6,4x10x0,7	8	<b>Technical Specifications:</b> Versione "GT"[GT], Versione "GTL"[GTL], Clutch[M5], Versione "T"[T], Versione "TL"[TL]
12	976031	Stud bolt	8	
13	976003	Connecting rod cpl.	2	<b>Technical Specifications:</b> From the engine a2 11775[M2]
13	GU05061530	Connecting rod cpl.	2	<b>Technical Specifications:</b> Up to engine a2 11774[M1]
14	849131	Connecting rod screw	4	<b>Technical Specifications:</b> From the engine a2 11775[M2]
14	GU01062230	Connecting rod screw	4	<b>Technical Specifications:</b> Up to engine a2 11774[M1]
15	GU91112128	Bushing	2	<b>Technical Specifications:</b> Up to engine a2 11774[M1]
16	976171	Bearing half-shell 1,539-1,544	4	<b>Technical Specifications:</b> Blue sign[BS], From the engine a2 11775[M2]
16	976172	Bearing half-shell 1,535-1,540	4	<b>Technical Specifications:</b> From the engine a2 11775[M2], Red sign[RS]
16	GU01062030	Bearing half-shell	4	<b>Technical Specifications:</b> Up to engine a2 11774[M1]
16	GU01062031	Bearing half-shell min.0,254	4	<b>Technical Specifications:</b> Up to engine a2 11774[M1]
16	GU01062032	Bearing half-shell min.0,508	4	<b>Technical Specifications:</b> Up to engine a2 11774[M1]
16	GU01062033	Bearing half-shell min.0,762	4	<b>Technical Specifications:</b> Up to engine a2 11774[M1]
17	976118	Crankshaft cpl.	1	<b>Technical Specifications:</b> Up to engine a2 11774[M1]
17	976187	Crankshaft cpl.	1	<b>Technical Specifications:</b> From the engine a2 11775[M2]

<b>Group</b>	ENGINE
<b>Code</b>	34.54
<b>Description</b>	Drive shaft - Cylinder
<b>Service</b>	1



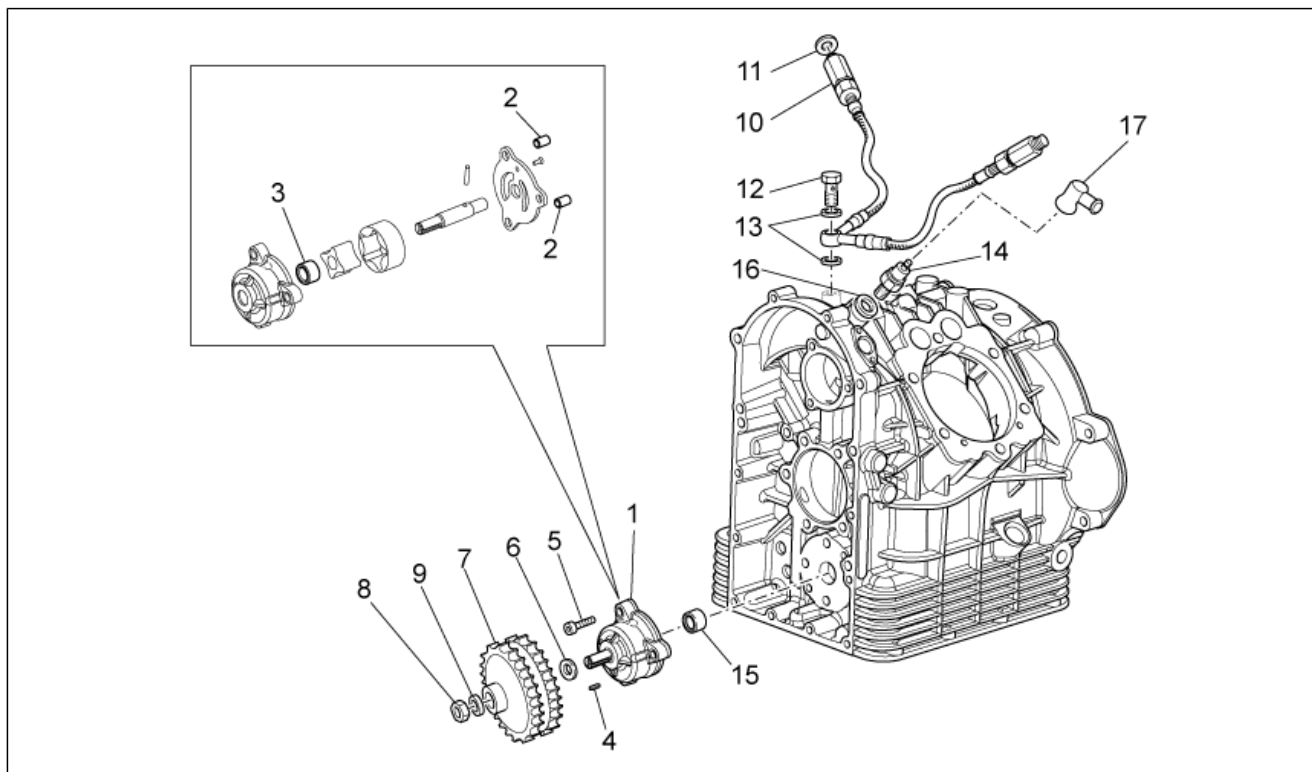
Pos.	Code	Description	Qty	Variants
18	GU37065405	Cover	1	
19	GU04067000	Flywheel cpl.	1	<b>Technical Specifications:</b> Versione "GT"[GT], Versione "GTL"[GTL], Clutch[M5], Versione "T"[T], Versione "TL"[TL]
20	976481	Screw w/ flange M8x25	6	<b>Technical Specifications:</b> Versione "GT"[GT], Versione "GTL"[GTL], Clutch[M5], Versione "T"[T], Versione "TL"[TL]
21	976484	Conical spring washer 8,2X15	6	<b>Technical Specifications:</b> Versione "GT"[GT], Versione "GTL"[GTL], Clutch[M5], Versione "T"[T], Versione "TL"[TL]
22	GU01067930	Chain ring	1	<b>Technical Specifications:</b> Versione "GT"[GT], Versione "GTL"[GTL], Clutch[M5], Versione "T"[T], Versione "TL"[TL]
23	GU05025330	Rubber spacer	54	
24	825597	Pin 11,8X10	6	

<b>Group</b>	ENGINE
<b>Code</b>	34.55
<b>Description</b>	Timing system
<b>Service</b>	1



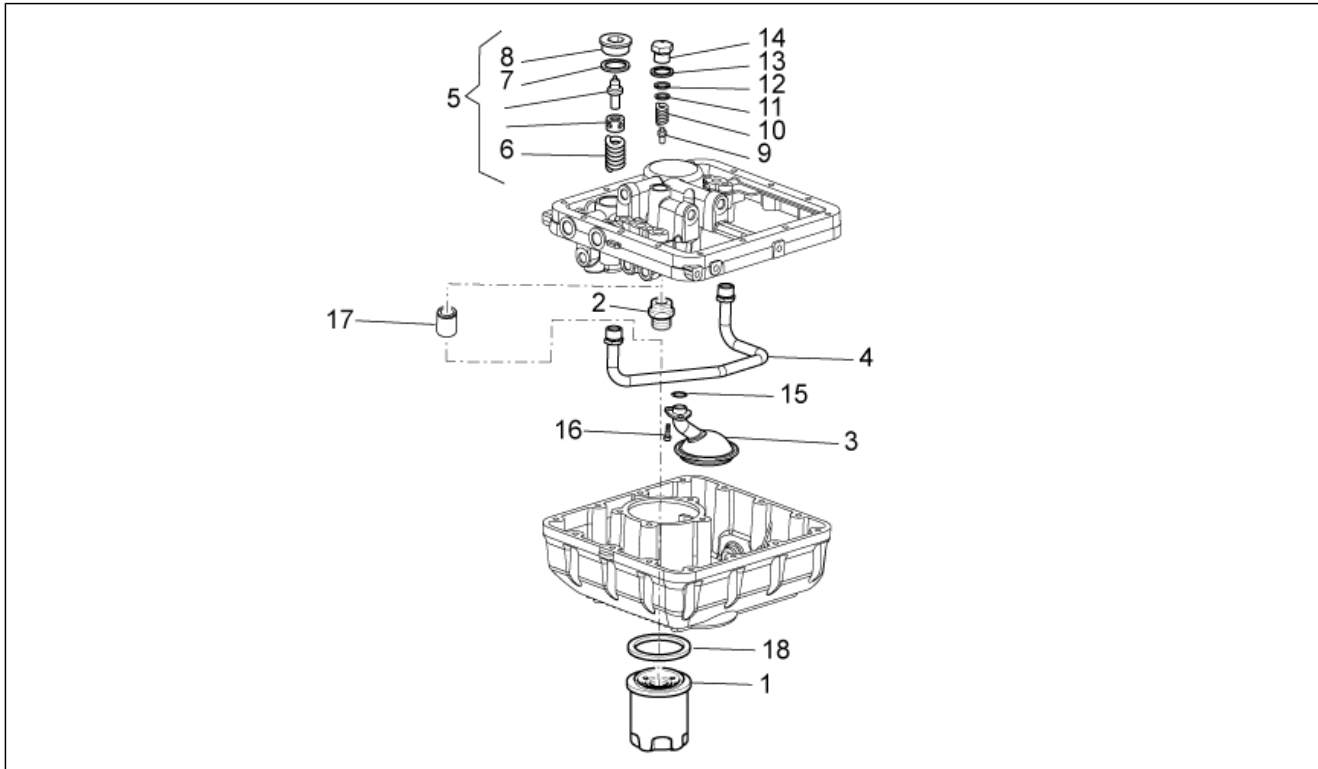
Pos.	Code	Description	Qty	Variants
1	GU37045006	Rocker arm rod	4	
2	GU17045860	Tappet	4	
3	GU05053331	Camshaft	1	
4	GU14234600	Pin	1	
5	GU01054001	Flange	1	
6	GU98084320	Hex screw M6x20	3	
7	GU95120065	Washer 6,5x11x2	3	
8	GU01051730	Wheel speed sensor, left front	1	
9	GU05054532	Timing system gear	1	
10	GU14433400	Spring washer 19x34x1,5	1	
11	GU92750180	Nut M18	1	
12	GU14072001	Pinion	1	
13	GU95100837	Washer 25,5x35x2	1	
14	GU92602525	Nut M25	1	
15	GU91600365	Transmission key 3x6,5	1	
16	GU05058030	Chain	1	
17	GU30058310	Chain guide plate	1	
18	GU30059211	Spring	1	
19	GU90401532	Gasket ring 15x32x7viton	1	
20	GU05055230	Maintenance	1	
21	AP8152043	Hex socket screw M4x10	4	

<b>Group</b>	ENGINE
<b>Code</b>	34.56
<b>Description</b>	Oil pump
<b>Service</b>	1



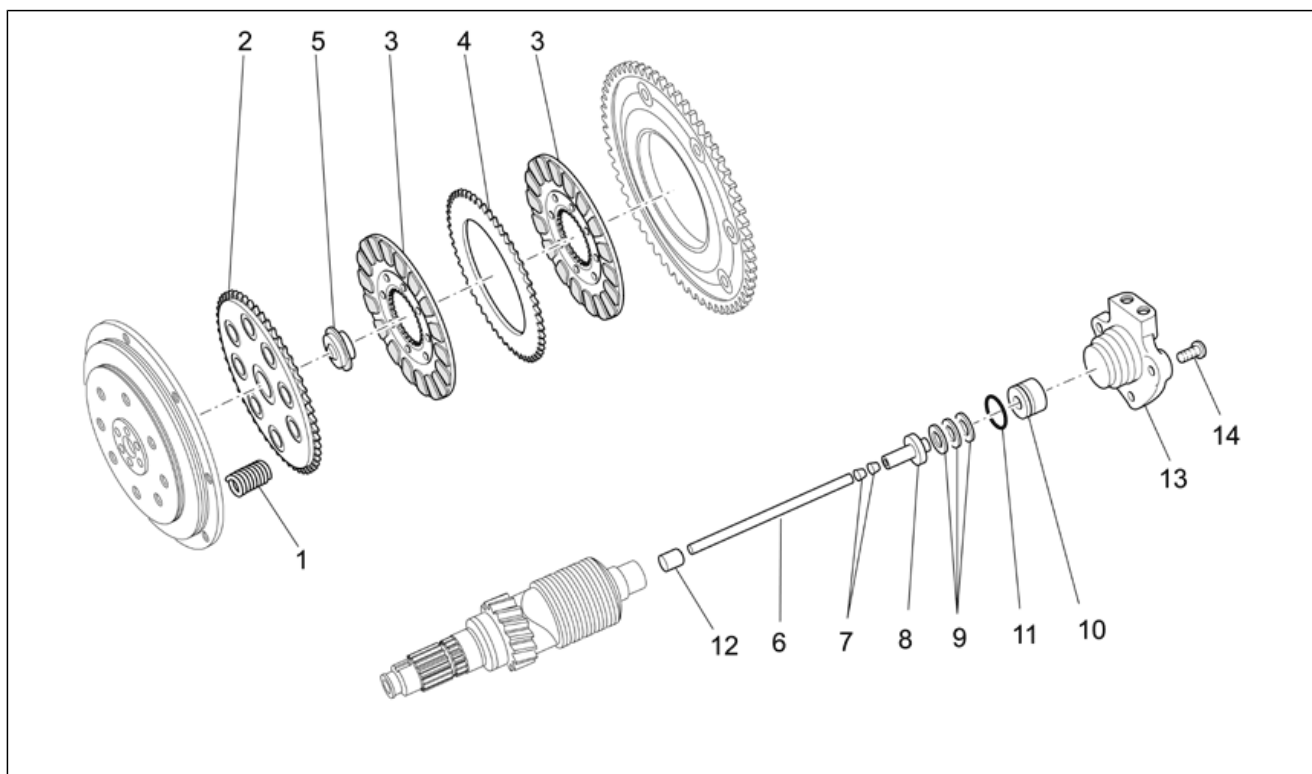
Pos.	Code	Description	Qty	Variants
1	976134	Oil pump	1	
2	277916	Locating dowel	2	
3	976165	Cage à rouleaux 12x18x12	1	
4	GU13148300	Transmission key	1	
5	GU98682330	Hex socket screw M6x20	3	
6	976448	Fifth wheel	1	
7	GU30147700	Oil pump gear	1	
8	GU92602510	Nut M10x1,25	1	
9	GU19149800	Washer 10,5x16x1	1	
10	GU05153630	Pipe	1	
11	GU25656102	Gasket	2	
12	GU95990037	screw	1	
13	GU12154200	Gasket 8,25x15x1	2	
14	GU31768780	Pressure sensor	1	
15	976168	Cage à rouleaux 10x14x12	1	
16	GU12006400	Gasket 12,25	1	
17	976688	Pressure oil sensor cap	1	

<b>Group</b>	ENGINE
<b>Code</b>	34.57
<b>Description</b>	Oil filters
<b>Service</b>	1



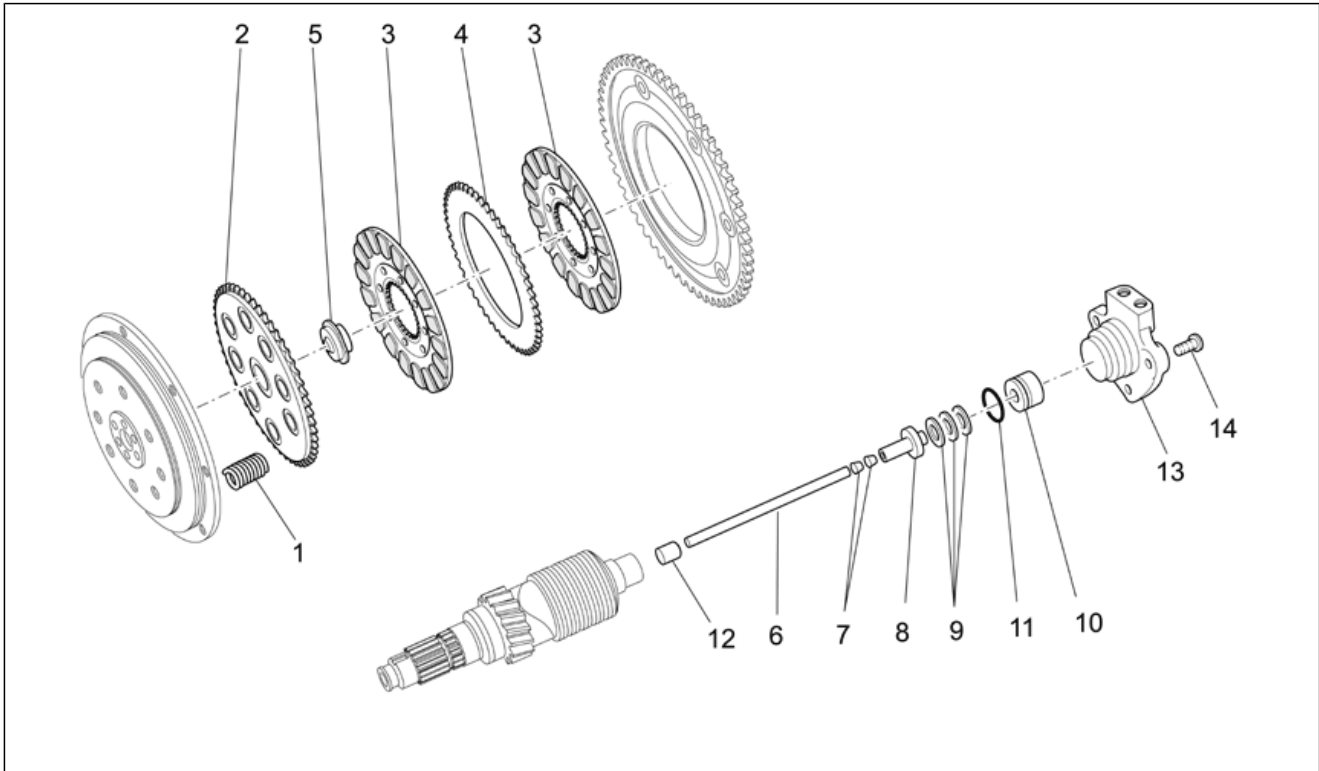
Pos.	Code	Description	Qty	Variants
1	GU30153000	Oil filter	1	
2	GU30003800	Oil filter union	1	<b>Technical Specifications:</b> 1st Serie[1A], Up to engine A2 16960[M8]
3	GU05152230	Oil filter	1	
4	GU05005730	pipe	1	
5	GU01163500	Thermostatic valve compl.	1	
6	GU20164010	Spring	1	
7	GU01163700	Copper gasket	1	
8	GU01163600	Cover	1	
9	GU30150900	Piston	1	
10	GU94321077	Spring	1	
11	GU95008206	Washer 6,15x11x0,8	2	
12	GU30158900	Washer	1	
13	GU18144350	Washer 18,25x24x1	1	
14	GU31159050	Cover	1	
15	GU90706151	O-ring 15,08x2,62viton	1	
16	GU98682316	Hex socket screw M6x16	2	
17	829122	Oil filter union	1	<b>Technical Specifications:</b> 2nd Serie[2A], From the engine A2 16961[M9]
18	981115	Gasket	1	<b>Technical Specifications:</b> Ref. Technical communication n.... [CT1]

<b>Group</b>	ENGINE
<b>Code</b>	34.58
<b>Description</b>	Clutch
<b>Service</b>	1



Pos.	Code	Description	Qty	Variants
1	GU04084100	Clutch spring	10	<b>Technical Specifications:</b> 1st Serie[1A], Versione "GT"[GT], Versione "GTL"[GTL], Clutch[M5], Versione "T"[T], Versione "TL"[TL]
1	GU04084100	Clutch spring	5	<b>Technical Specifications:</b> 2nd Serie[2A], Versione "GT"[GT], Versione "GTL"[GTL], Clutch[M5], Versione "T"[T], Versione "TL"[TL]
1	GU13084100	Clutch spring	5	<b>Technical Specifications:</b> 2nd Serie[2A], Versione "GT"[GT], Versione "GTL"[GTL], Clutch[M5], Red sign[RS], Versione "T"[T], Versione "TL"[TL]
2	GU30082900	Disc	1	<b>Technical Specifications:</b> Versione "GT"[GT], Versione "GTL"[GTL], Clutch[M5], Versione "T"[T], Versione "TL"[TL]
3	GU05084430	Clutch plate complete	2	<b>Technical Specifications:</b> Versione "GT"[GT], Versione "GTL"[GTL], Clutch[M5], Versione "T"[T], Versione "TL"[TL]
4	GU12082300	Intermediate plate	1	<b>Technical Specifications:</b> Versione "GT"[GT], Versione "GTL"[GTL], Clutch[M5], Versione "T"[T], Versione "TL"[TL]
5	GU04082800	Cup	1	<b>Technical Specifications:</b> Versione "GT"[GT], Versione "GTL"[GTL], Clutch[M5], Versione "T"[T], Versione "TL"[TL]
6	GU05085730	Rod	1	<b>Technical Specifications:</b> Versione "GT"[GT], Versione "GTL"[GTL], Clutch[M5], Versione "T"[T], Versione "TL"[TL]
7	GU14085900	Bush	2	<b>Technical Specifications:</b> Versione "GT"[GT], Versione "GTL"[GTL], Clutch[M5], Versione "T"[T], Versione "TL"[TL]
8	GU14086000	Inner body	1	<b>Technical Specifications:</b> Versione "GT"[GT], Versione "GTL"[GTL], Clutch[M5], Versione "T"[T], Versione "TL"[TL]
9	GU12087001	Thrust bearing	1	<b>Technical Specifications:</b> Versione "GT"[GT], Versione "GTL"[GTL], Clutch[M5], Versione "T"[T], Versione "TL"[TL]
10	GU04086100	Clutch control cylinder	1	<b>Technical Specifications:</b> Versione "GT"[GT], Versione "GTL"[GTL], Clutch[M5], Versione "T"[T], Versione "TL"[TL]
11	GU90706170	O-ring 17,13x2,62	1	<b>Technical Specifications:</b> Versione "GT"[GT], Versione "GTL"[GTL], Clutch[M5], Versione "T"[T], Versione "TL"[TL]
12	GU05217630	Bushing	1	<b>Technical Specifications:</b> Versione "GT"[GT], Versione "GTL"[GTL], Clutch[M5], Versione "T"[T], Versione "TL"[TL]
13	GU05086330	Clutch command cylinder	1	<b>Technical Specifications:</b> Versione "GT"[GT], Versione "GTL"[GTL], Clutch[M5], Versione "T"[T], Versione "TL"[TL]

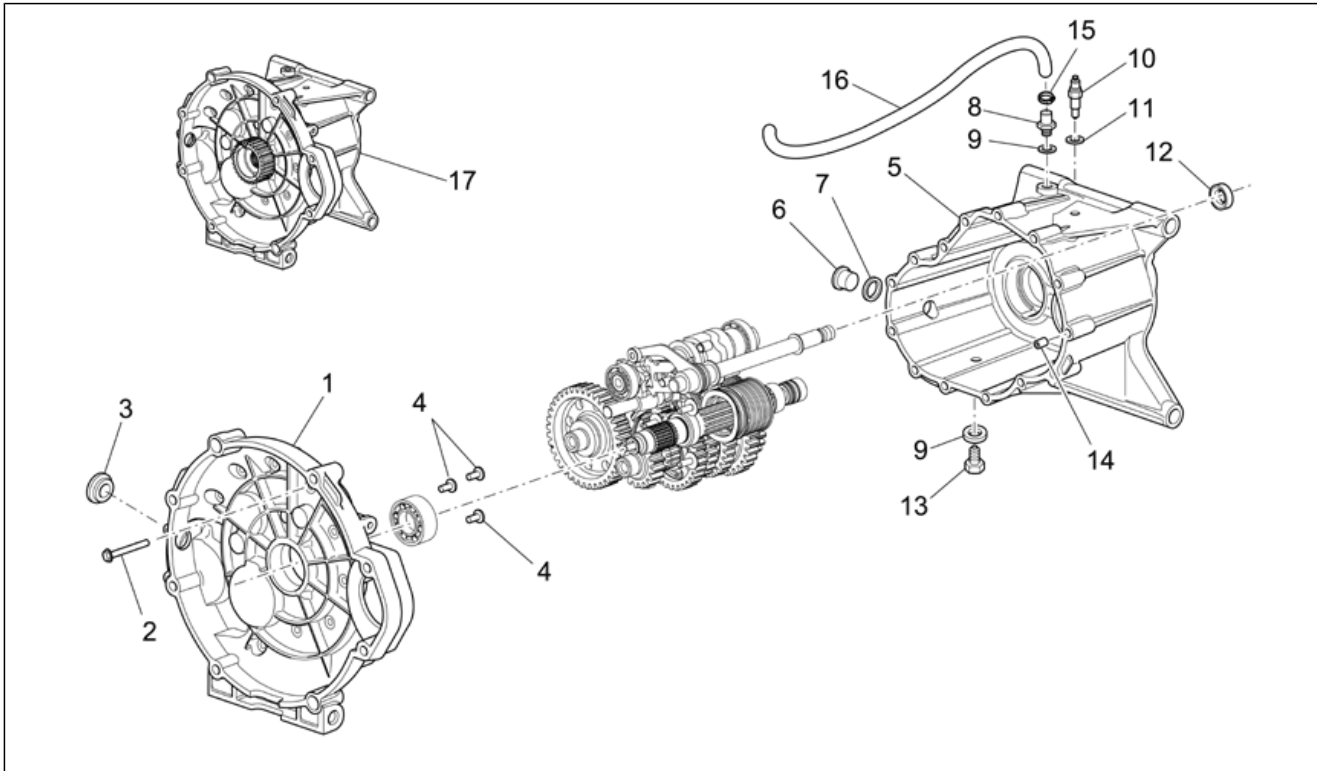
<b>Group</b>	ENGINE
<b>Code</b>	34.58
<b>Description</b>	Clutch
<b>Service</b>	1



Pos.	Code	Description	Qty	Variants
14	AP8152278	Screw w/ flange M6x16	3	<b>Technical Specifications:</b> Versione "GT"[GT], Versione "GTL"[GTL], Clutch[M5], Versione "T"[T], Versione "TL"[TL]

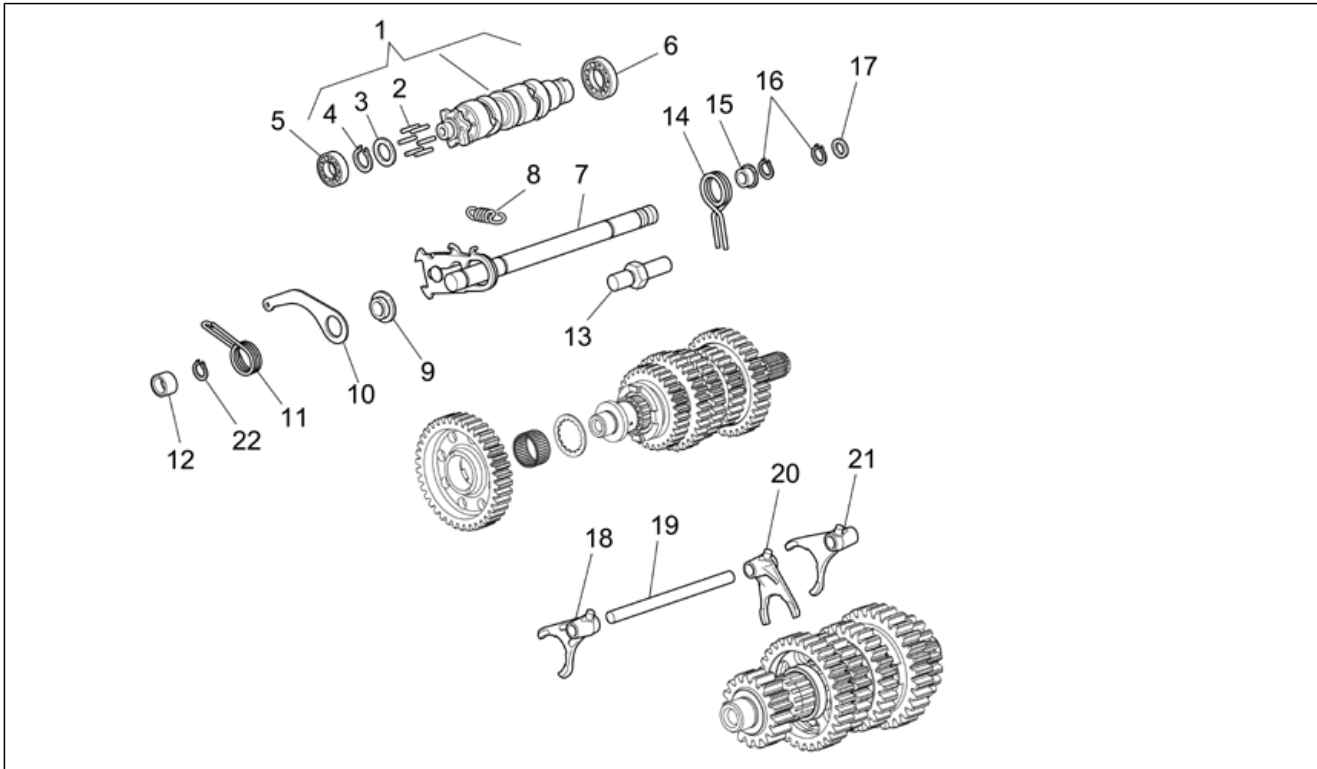


<b>Group</b>	ENGINE
<b>Code</b>	34.59
<b>Description</b>	Transmission cage
<b>Service</b>	1



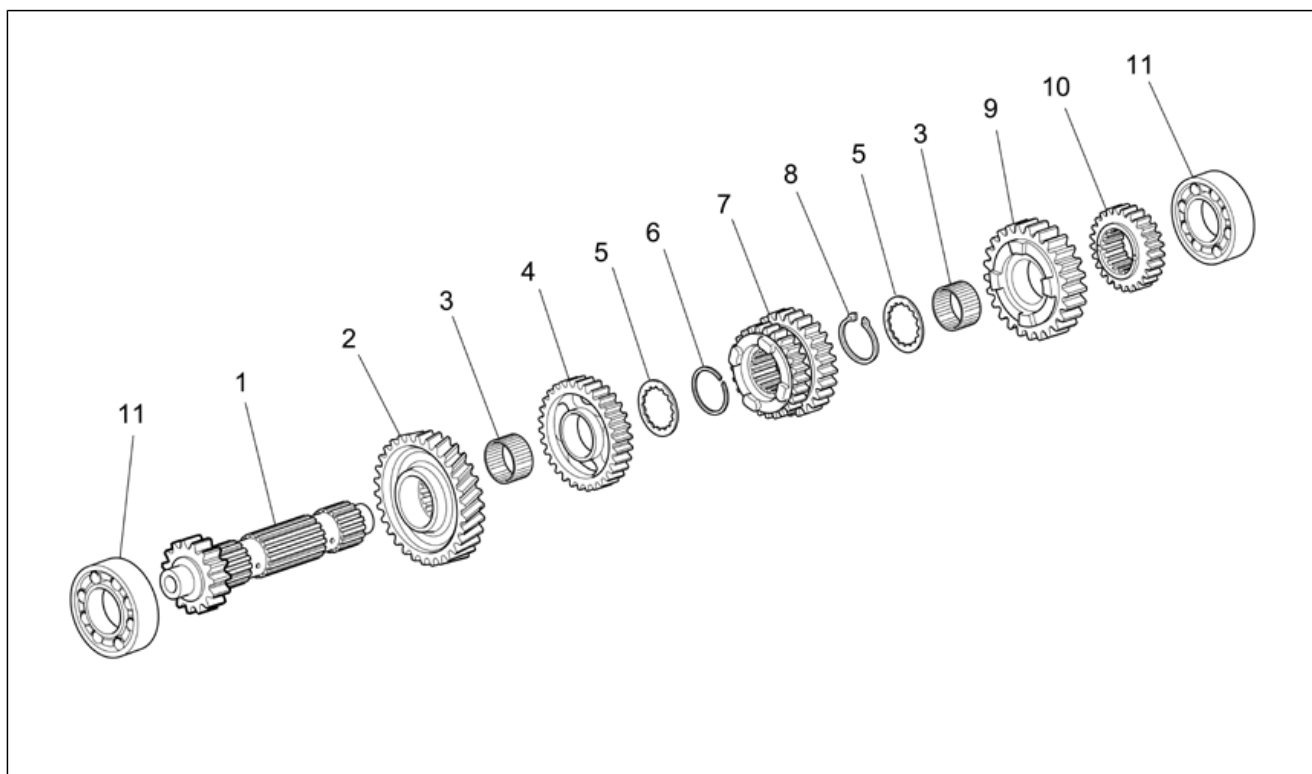
Pos.	Code	Description	Qty	Variants
1	976102	Clutch housing, grey	1	
2	GU97202355	Screw w/ flange M6x55	14	
3	GU93180220	Cover	1	
4	GU98370616	Hex socket screw M6x16 inox	3	
5	976104	Gearbox, grey	1	<b>Technical Specifications:</b> Versione "GT"[GT], Versione "GTL"[GTL], Clutch[M5], Versione "T"[T], Versione "TL"[TL]
5	976587	Gearbox, grey	1	<b>Technical Specifications:</b> From the transmission CY14666 up to transmission CY14731[C4], Single-plate clutch[M6], State police version[P.S.]
6	GU95980319	Oil plug M18x1,5	1	
7	GU18144350	Washer 18,25x24x1	1	
8	GU05204930	Breather plug	1	
9	GU01528930	Gasket 10x18x1,5	2	
10	GU19207220	Sensor	1	
11	B063025	Guarnizione 8,7x14,2x1,3	1	
12	GU90401424	Gasket ring 14x24x7	1	
13	GU31003766	Oil unload plug M10x1	1	
14	GU19002020	Bushing 6,6x9x13	2	
15	AP8101595	Hose clamp D10,1	1	
16	AP8120952	Fuel pipe 5,5x10	1	
17	976913	Gear box assy	1	<b>Technical Specifications:</b> Up to the transmission CH16862[C1], Clutch[M5]
17	976924	Gear box assy	1	<b>Technical Specifications:</b> From the transmission CH16863[C2], From the gear CY12178[C3], Clutch[M5]
17	976955	Engine cpl.	1	<b>Technical Specifications:</b> From the transmission CY14666 up to transmission CY14731[C4], Single-plate clutch[M6], State police version[P.S.]

<b>Group</b>	ENGINE
<b>Code</b>	34.60
<b>Description</b>	Gear box selector
<b>Service</b>	1



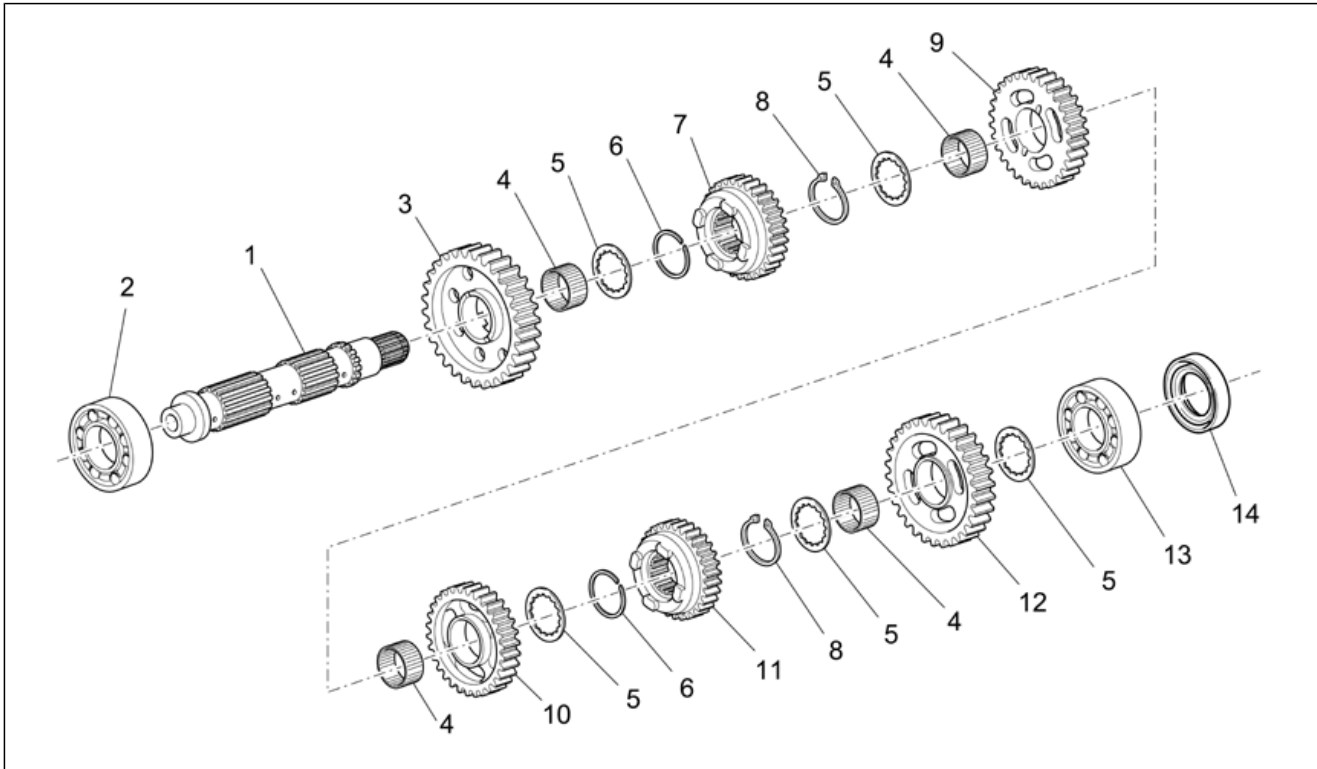
Pos.	Code	Description	Qty	Variants
1	GU05234431	Shift cam cpl.	1	
2	GU05234631	Pin	6	
3	GU05235531	Spacer	1	
4	GU90271022	Circlip	1	
5	GU92201117	Ball bearing 17x35x10	1	
6	GU92201025	Ball bearing 25x42x9	1	
7	GU05236231	Preselection complete	1	
8	GU05238231	Spring	1	
9	GU05238431	Bushing	1	
10	GU05234731	Lever Index	1	
11	GU05234130	Spring	1	
12	GU05234230	Spacer	1	
13	GU05234931	Fixing pin	1	
14	GU05238331	Spring	1	
15	GU05238131	Spacer	1	
16	GU90271014	Circlip	2	
17	GU05239330	Fifth wheel	1	
18	GU05230531	Fork 1a-3a	1	
19	GU05232431	Fork shaft	1	
20	GU05232631	Fork 5a-6a	1	
21	GU05230831	Fork 2a-4a	1	
22	GU90353014	Circlip	1	

<b>Group</b>	ENGINE
<b>Code</b>	34.61
<b>Description</b>	Primary gear shaft
<b>Service</b>	1



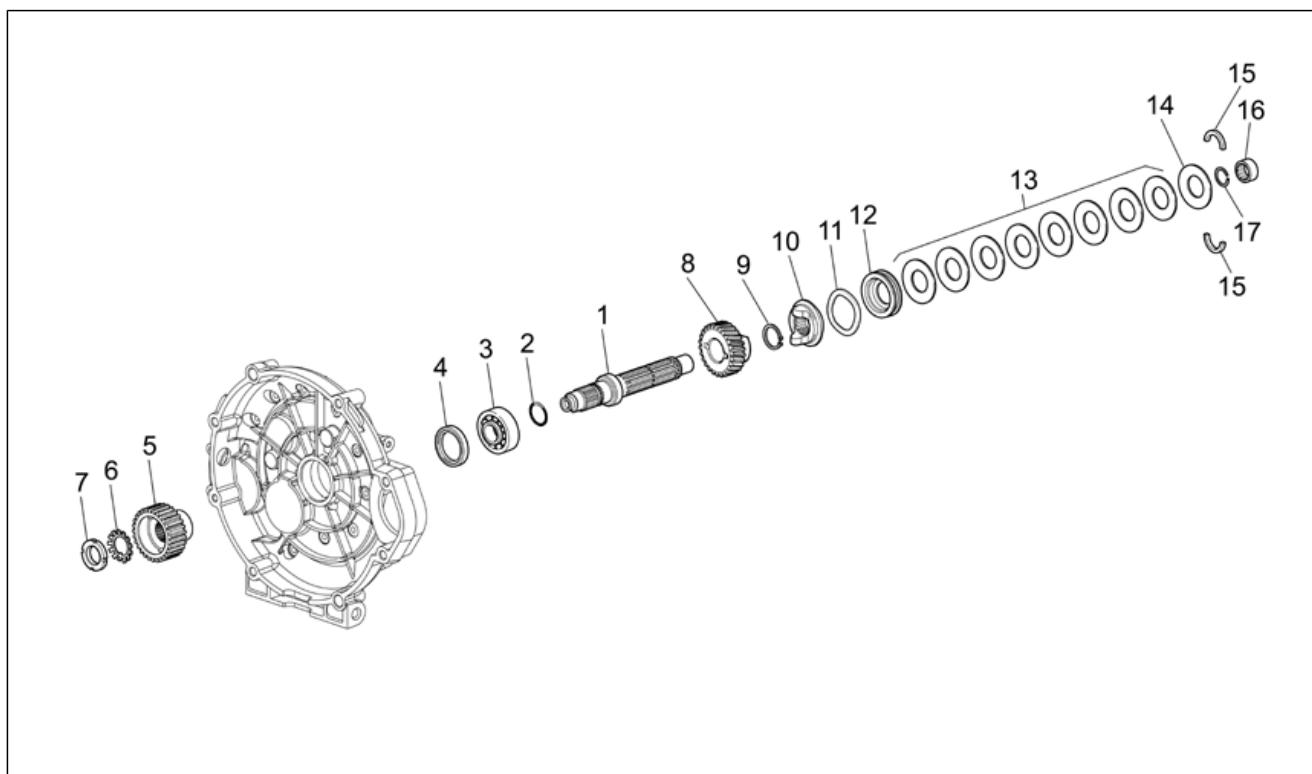
Pos.	Code	Description	Qty	Variants
1	GU05210631	Primary gear shaft Z=17	1	
2	GU06215600	Drive gears Z=35	1	
3	GU92252029	Roller cage 26x30x15,6	2	
4	976177	Gear 5a Z=31	1	<b>Technical Specifications:</b> From the transmission CH16863[C2], From the gear CY12178[C3]
4	GU05212031	Gear 5a Z=31	1	<b>Technical Specifications:</b> Up to the transmission CH16862[C1]
5	GU05214630	Clearance washer	2	
6	GU90271230	Snap ring 30x1,2SW	1	
7	GU05211431	Gear 3a-4a Z=23-26	1	
8	GU90271030	Snap ring 30x27,9	1	
9	976179	Gear 6a Z=30	1	<b>Technical Specifications:</b> From the transmission CH16863[C2], From the gear CY12178[C3]
9	GU05212631	Gear 6a Z=29	1	<b>Technical Specifications:</b> Up to the transmission CH16862[C1]
10	GU05211331	Gear 2a Z=20	1	
11	GU92201822	Ball bearing 20x52x15	2	

<b>Group</b>	ENGINE
<b>Code</b>	34.62
<b>Description</b>	Driven shaft
<b>Service</b>	1



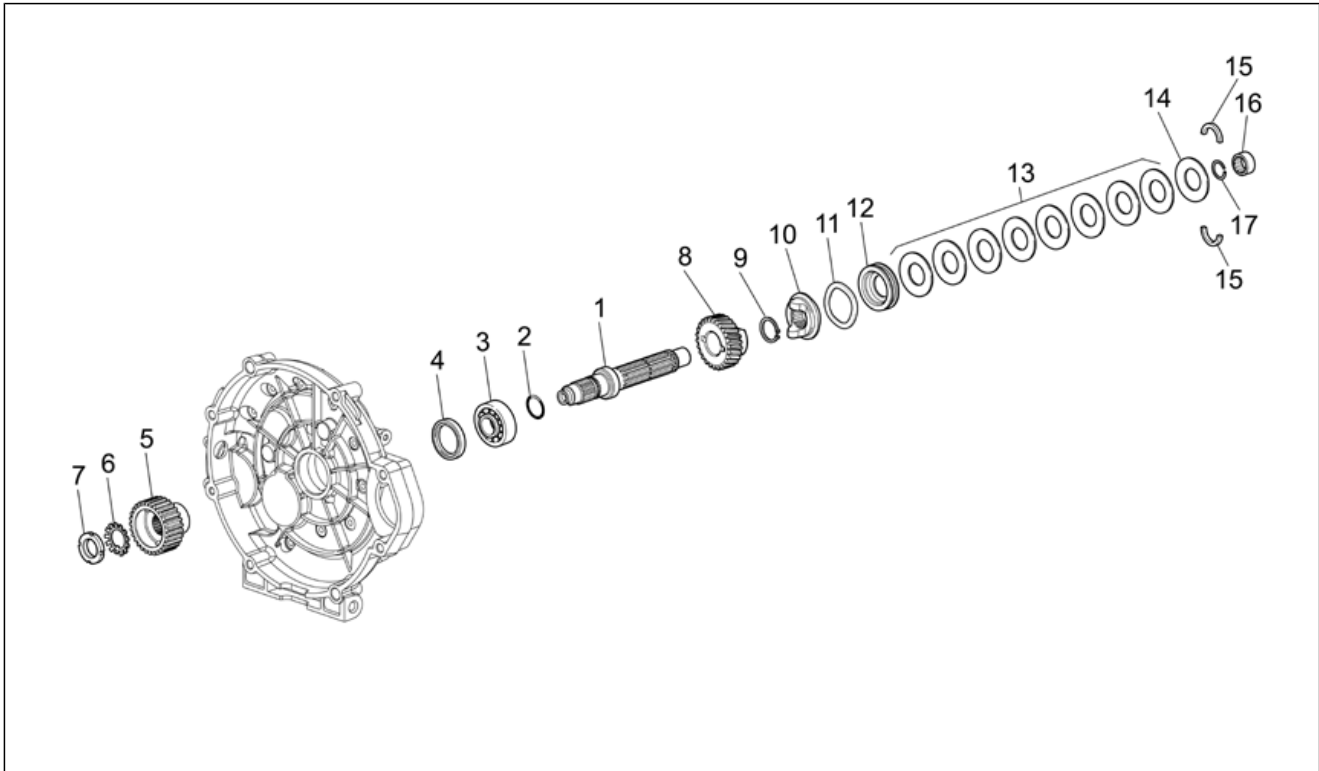
Pos.	Code	Description	Qty	Variants
1	GU05213631	Driven shaft	1	
2	GU92201822	Ball bearing 20x52x15	1	
3	GU05214231	Gear 1a Z=38	1	
4	GU92252029	Roller cage 26x30x15,6	4	
5	GU05214630	Clearance washer	5	
6	GU90271230	Snap ring 30x1,2SW	2	
7	976178	Gear 5a Z=29	1	<b>Technical Specifications:</b> From the transmission CH16863[C2], From the gear CY12178[C3]
7	GU05214031	Gear 5a Z=30	1	<b>Technical Specifications:</b> Up to the transmission CH16862[C1]
8	GU90271030	Snap ring 30x27,9	2	
9	GU05214731	Gear 3a Z=31	1	
10	GU05215031	Gear 4a Z=29	1	
11	976180	Gear 6a Z=24	1	<b>Technical Specifications:</b> From the transmission CH16863[C2], From the gear CY12178[C3]
11	GU05220531	Gear 6a Z=25	1	<b>Technical Specifications:</b> Up to the transmission CH16862[C1]
12	GU05214431	Gear 2a Z=34	1	
13	GU92201226	Ball bearing 25x52x15	1	
14	GU90412541	Gasket ring 25X40X7	1	

<b>Group</b>	ENGINE
<b>Code</b>	34.63
<b>Description</b>	Clutch shaft
<b>Service</b>	1



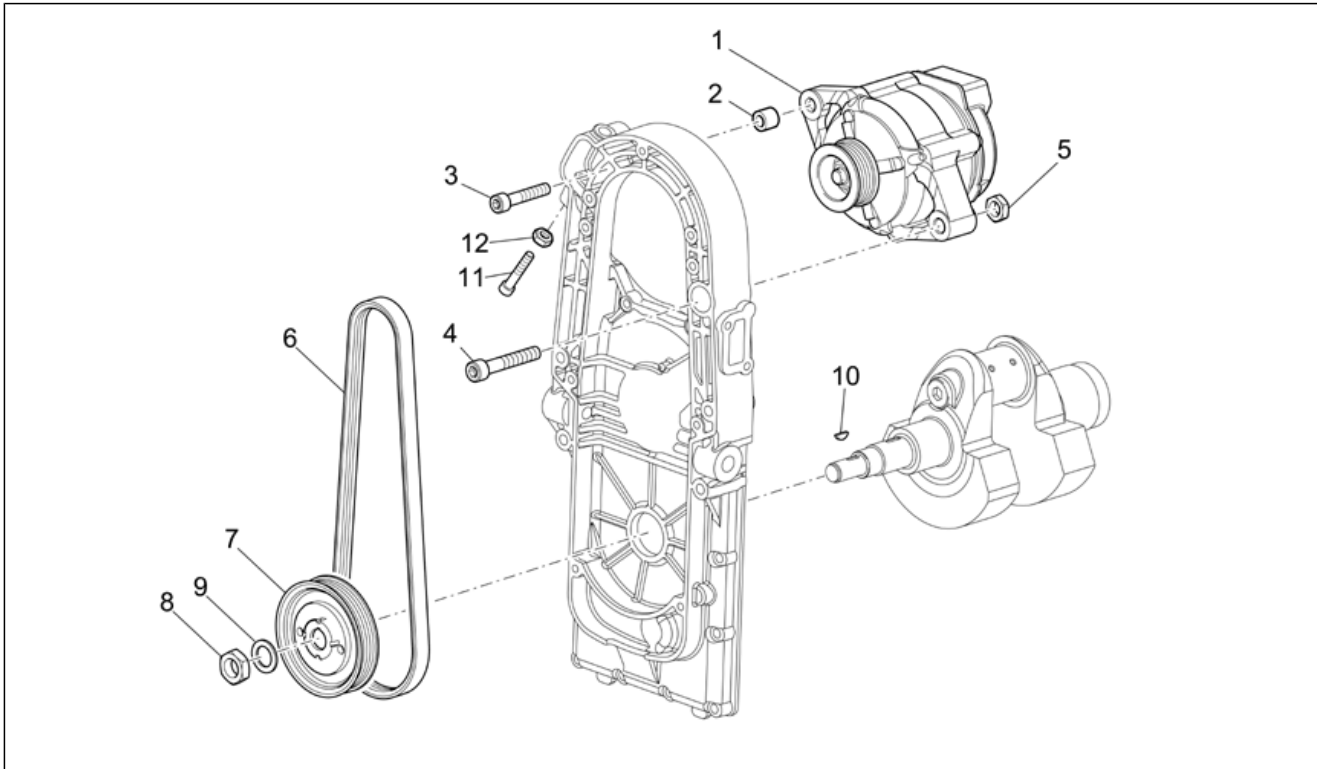
Pos.	Code	Description	Qty	Variants
1	GU05210731	Clutch shaft	1	<b>Technical Specifications:</b> Versione "GT"[GT], Versione "GTL"[GTL], Clutch[M5], Versione "T"[T], Versione "TL"[TL]
2	GU90706203	O-ring 20,24X2,62	1	<b>Technical Specifications:</b> Versione "GT"[GT], Versione "GTL"[GTL], Clutch[M5], Versione "T"[T], Versione "TL"[TL]
3	GU92201226	Ball bearing 25x52x15	1	<b>Technical Specifications:</b> Versione "GT"[GT], Versione "GTL"[GTL], Clutch[M5], Versione "T"[T], Versione "TL"[TL]
4	GU90403549	Gasket ring 35x47x7	1	<b>Technical Specifications:</b> Versione "GT"[GT], Versione "GTL"[GTL], Clutch[M5], Versione "T"[T], Versione "TL"[TL]
5	GU05081830	Clutch gear	1	<b>Technical Specifications:</b> Versione "GT"[GT], Versione "GTL"[GTL], Clutch[M5], Versione "T"[T], Versione "TL"[TL]
6	GU95028022	Washer 22x20x3,9	1	<b>Technical Specifications:</b> Versione "GT"[GT], Versione "GTL"[GTL], Clutch[M5], Versione "T"[T], Versione "TL"[TL]
7	GU93601022	Ring nut	1	<b>Technical Specifications:</b> Versione "GT"[GT], Versione "GTL"[GTL], Clutch[M5], Versione "T"[T], Versione "TL"[TL]
8	GU06211100	Idle gear Z=24	1	<b>Technical Specifications:</b> Versione "GT"[GT], Versione "GTL"[GTL], Clutch[M5], Versione "T"[T], Versione "TL"[TL]
9	GU90271125	Snap ring 25x2	1	<b>Technical Specifications:</b> Versione "GT"[GT], Versione "GTL"[GTL], Clutch[M5], Versione "T"[T], Versione "TL"[TL]
10	GU05211231	Hose	1	<b>Technical Specifications:</b> Versione "GT"[GT], Versione "GTL"[GTL], Clutch[M5], Versione "T"[T], Versione "TL"[TL]
11	GU95129340	Washer	3	<b>Technical Specifications:</b> Versione "GT"[GT], Versione "GTL"[GTL], Clutch[M5], Versione "T"[T], Versione "TL"[TL]
12	GU05211030	Disc	1	<b>Technical Specifications:</b> Versione "GT"[GT], Versione "GTL"[GTL], Clutch[M5], Versione "T"[T], Versione "TL"[TL]
13	GU05211530	Belleville spring	8	<b>Technical Specifications:</b> Versione "GT"[GT], Versione "GTL"[GTL], Clutch[M5], Versione "T"[T], Versione "TL"[TL]
14	GU05211630	Disc	1	<b>Technical Specifications:</b> Versione "GT"[GT], Versione "GTL"[GTL], Clutch[M5], Versione "T"[T], Versione "TL"[TL]
15	GU12211700	Half ring	2	<b>Technical Specifications:</b> Versione "GT"[GT], Versione "GTL"[GTL], Clutch[M5], Versione "T"[T], Versione "TL"[TL]
16	GU92232028	Roller bearing 20x28x13	1	<b>Technical Specifications:</b> Versione "GT"[GT], Versione "GTL"[GTL], Clutch[M5], Versione "T"[T], Versione "TL"[TL]

<b>Group</b>	ENGINE
<b>Code</b>	34.63
<b>Description</b>	Clutch shaft
<b>Service</b>	1



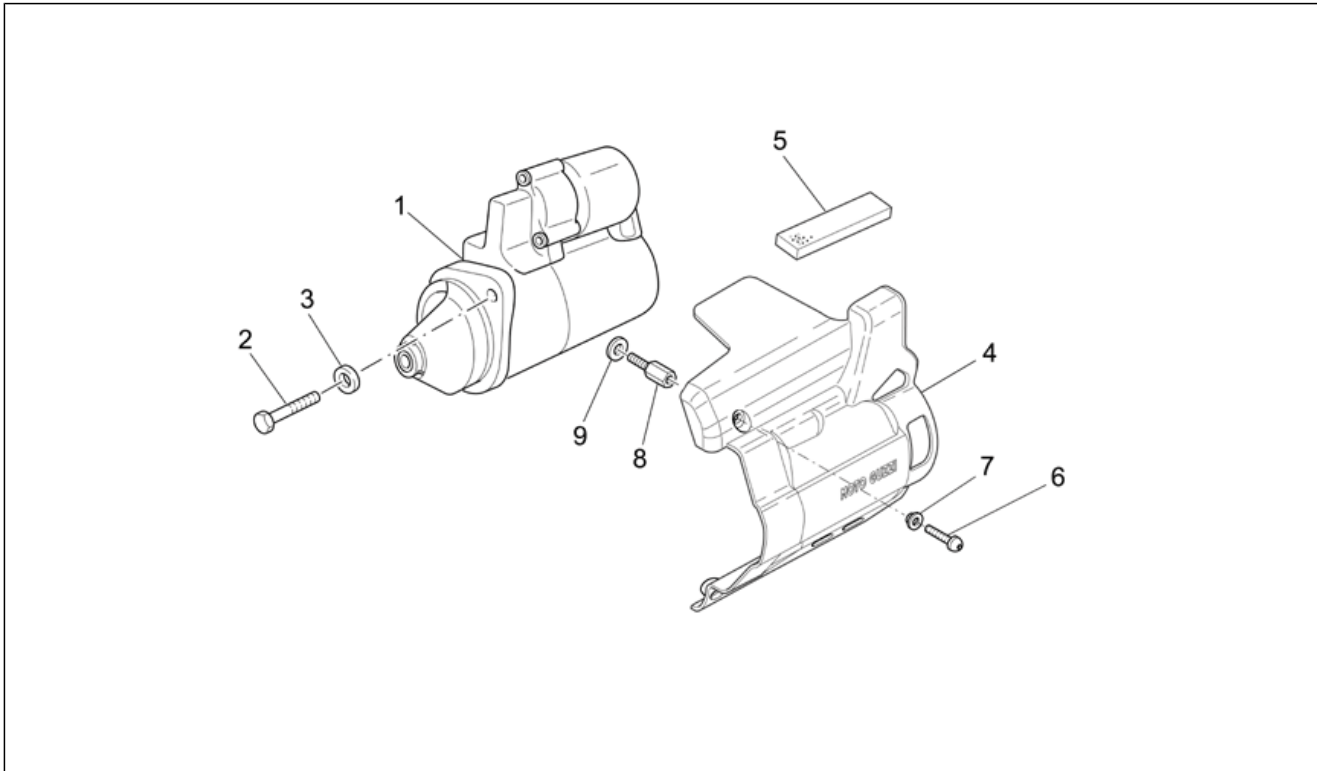
Pos.	Code	Description	Qty	Variants
17	GU90272028	Snap ring 28x30,1	1	<b>Technical Specifications:</b> Versione "GT"[GT], Versione "GTL"[GTL], Clutch[M5], Versione "T"[T], Versione "TL"[TL]

<b>Group</b>	ENGINE
<b>Code</b>	34.64
<b>Description</b>	Current generator
<b>Service</b>	1



Pos.	Code	Description	Qty	Variants
1	GU05712431	Generator	1	
2	GU91180823	Spacer 8,5x17x13	1	
3	GU98620445	Hex socket screw M8x45	1	
4	GU98620560	Hex socket screw M10x60	1	
5	GU92660012	Nut M10X1,5	1	
6	GU05702530	Belt	1	
7	GU05701430	Generator lever pulley	1	
8	GU92606516	Nut M16	1	
9	GU30714201	Washer 16,25x24,5x5	1	
10	AP4FAN000030	Flywheel magneto key	1	
11	GU98230850	Hex socket screw M8x50	1	
12	GU92605408	Nut M8x1,25	1	

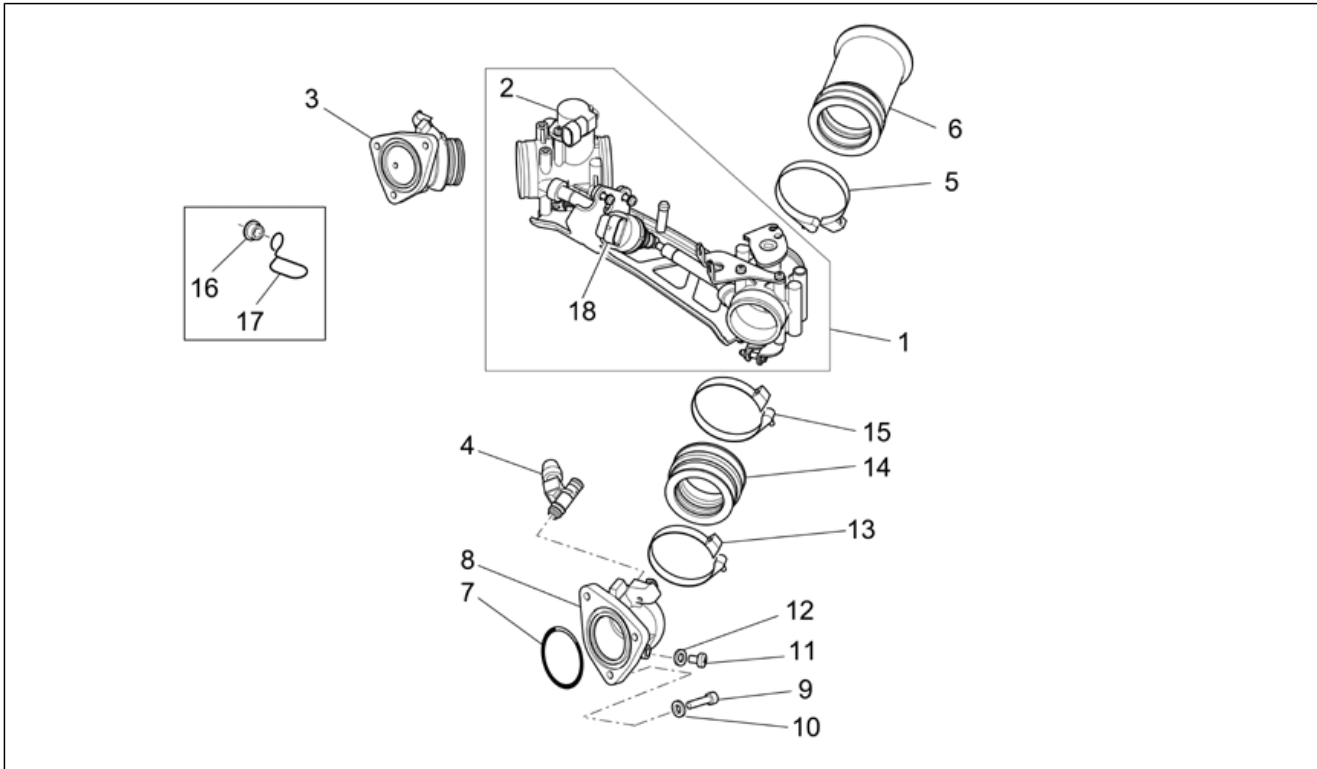
<b>Group</b>	ENGINE
<b>Code</b>	34.65
<b>Description</b>	Starter motor
<b>Service</b>	1



Pos.	Code	Description	Qty	Variants
1	GU05730730	Starter motor Bosch	1	
2	GU98082475	Hex screw M8x75	2	
3	GU95008208	Washer 8,4X15X1,5	2	
4	GU05733330	Cover chrome grey	1	
5	AP8117200	Adhesive sponge	1	
6	GU98370609	Hex socket screw M6x10	2	
7	AP8121032	Bush	2	
8	GU03469201	Stud bolt	1	
9	GU03013800	Washer 6,4x12	1	

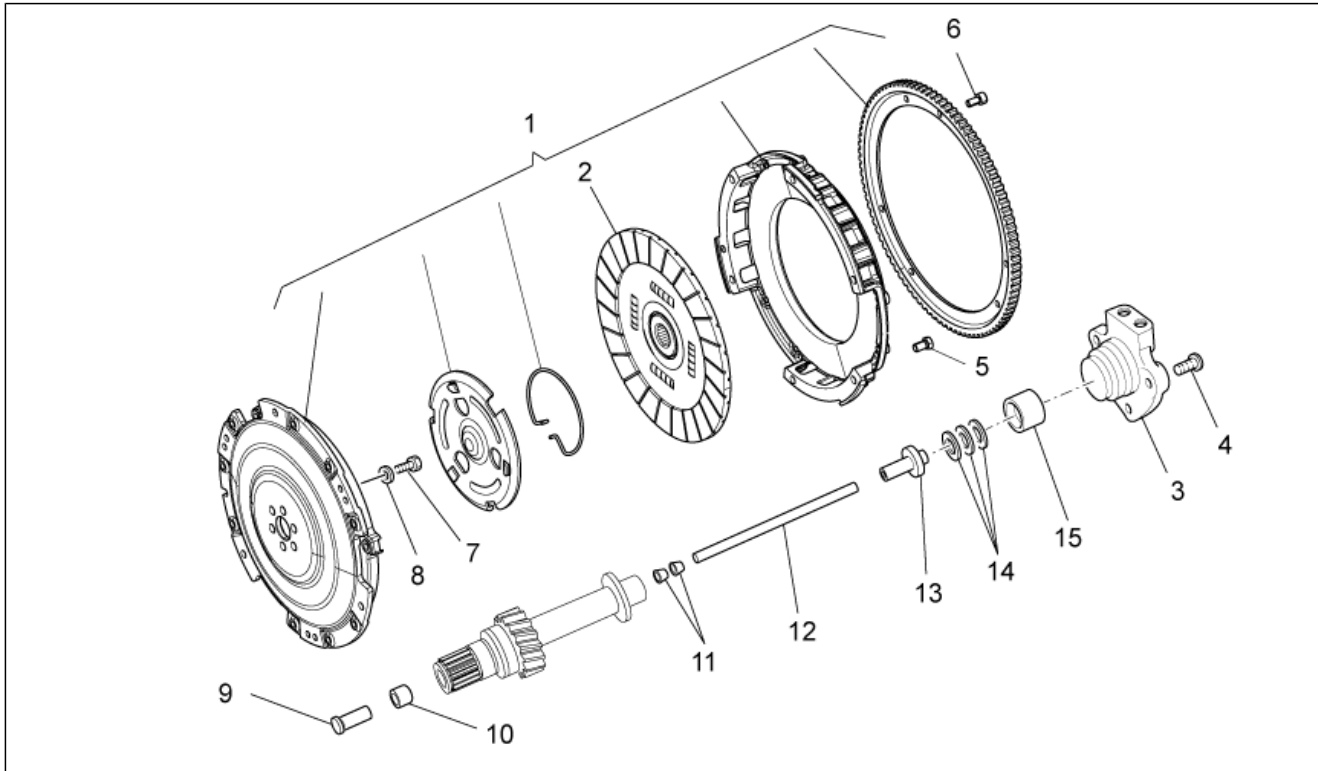


<b>Group</b>	ENGINE
<b>Code</b>	34.66
<b>Description</b>	Throttle body
<b>Service</b>	1



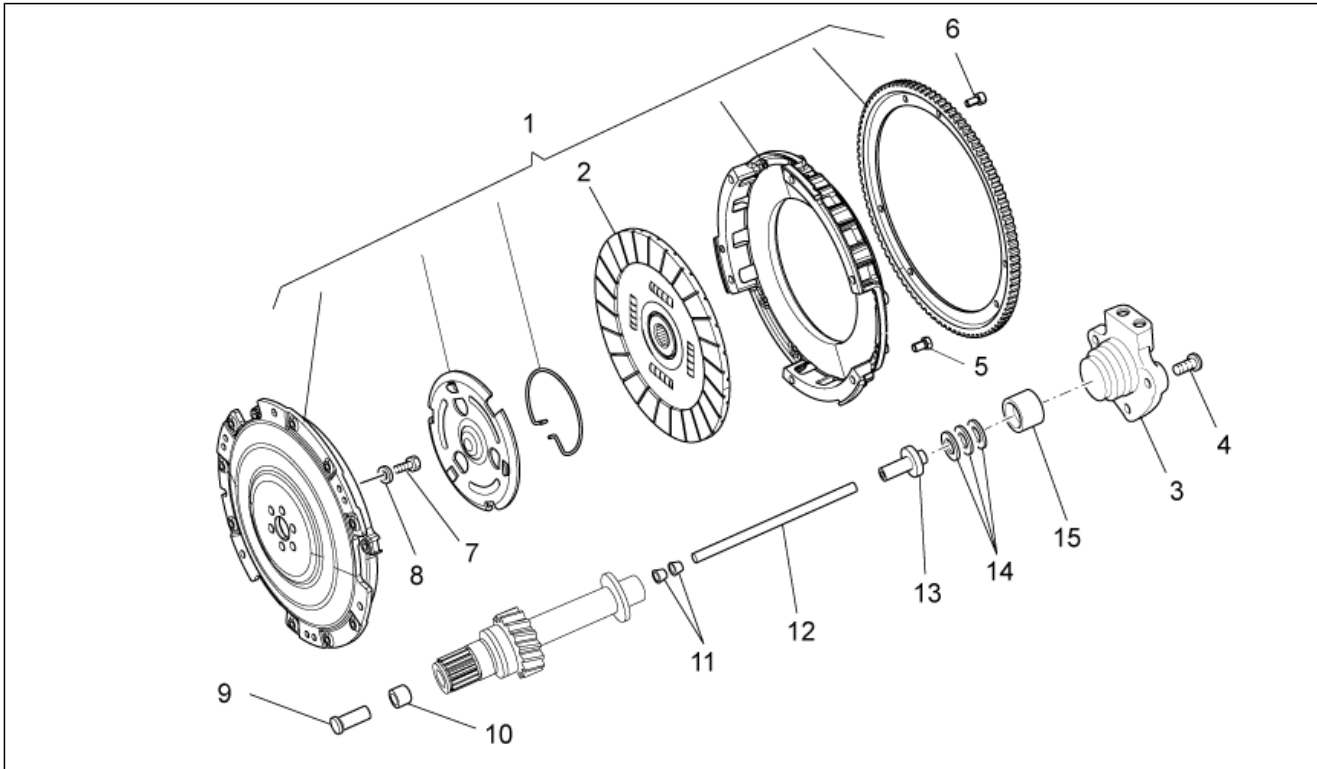
Pos.	Code	Description	Qty	Variants
1	GU05112530	Throttle assy	1	
2	GU05112830	Potentiometer	1	
3	GU05115030	RH manifold	1	
4	GU05115730	Injector kit complete	2	
5	GU93305058	Hose clamp	2	
6	GU05114430	Intake hose	2	
7	GU90706461	O-ring 46,04x3,53	2	
8	GU05115031	LH manifold	1	
9	GU98682325	Hex socket screw M6x25	6	
10	GU95008206	Washer 6,15x11x0,8	6	
11	GU98350310	Hex socket screw M6x20	2	
12	GU95100116	Washer 6,25x10x1,5	2	
13	GU93305057	Hose clamp 57x59,5x10	2	
14	GU01114390	Hose	2	
15	GU93305061	Hose clamp 61/65,5	2	
16	GU31576183	Spacer	1	
17	AP8120428	Cable-guide	1	
18	GU05135830	Min.regulation engine	1	

<b>Group</b>	ENGINE
<b>Code</b>	34.69
<b>Description</b>	Single-plate clutch
<b>Service</b>	1



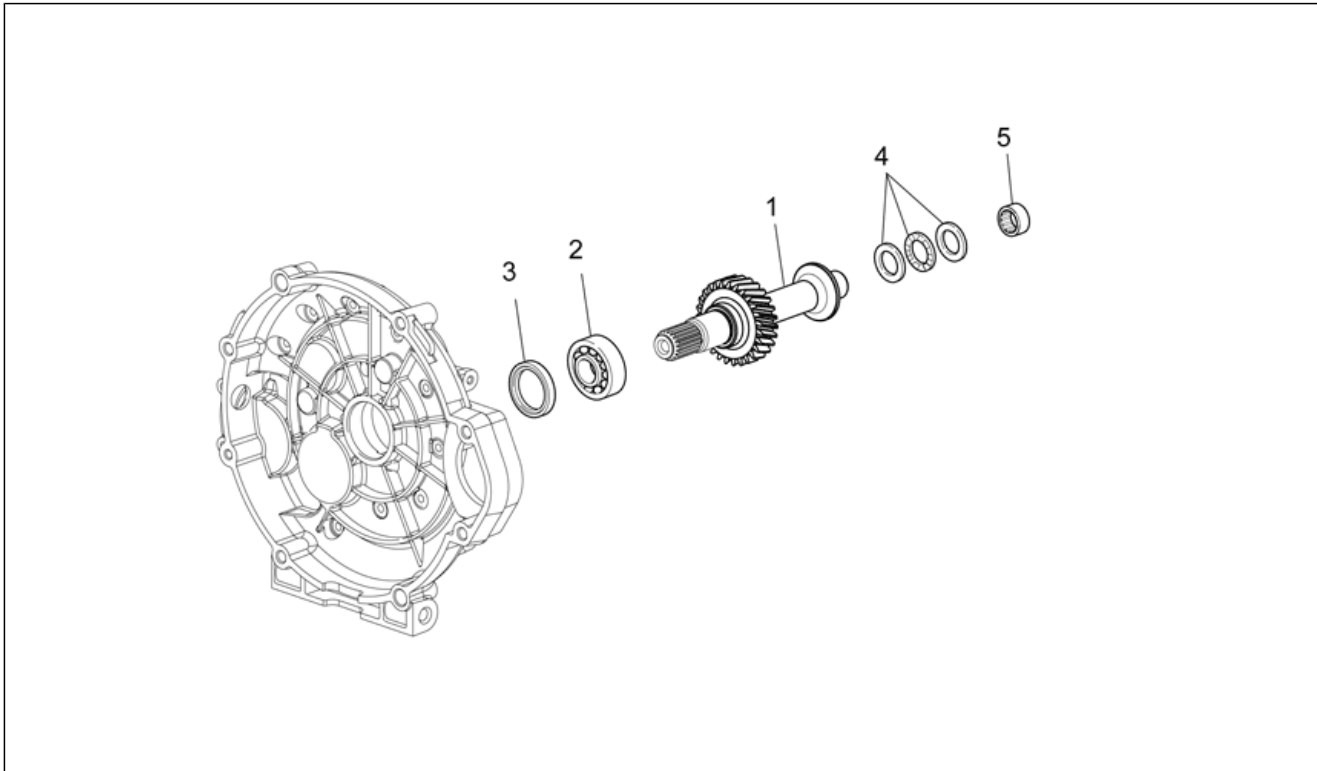
Pos.	Code	Description	Qty	Variants
1	976023	Clutch cpl.	1	<b>Technical Specifications:</b> From the transmission CY14666 up to transmission CY14731[C4], Single-plate clutch[M6], State police version[P.S.]
2	976053	Clutch disc	1	<b>Technical Specifications:</b> From the transmission CY14666 up to transmission CY14731[C4], Single-plate clutch[M6], State police version[P.S.]
3	978739	Clutch command cylinder	1	<b>Technical Specifications:</b> From the transmission CY14666 up to transmission CY14731[C4], Single-plate clutch[M6], State police version[P.S.]
4	AP8152278	Screw w/ flange M6x16	3	<b>Technical Specifications:</b> From the transmission CY14666 up to transmission CY14731[C4], Single-plate clutch[M6], State police version[P.S.]
5	976535	Hex socket screw M7x16	6	<b>Technical Specifications:</b> From the transmission CY14666 up to transmission CY14731[C4], Single-plate clutch[M6], State police version[P.S.]
6	GU98230612	screw	6	<b>Technical Specifications:</b> From the transmission CY14666 up to transmission CY14731[C4], Single-plate clutch[M6], State police version[P.S.]
7	976481	Screw w/ flange M8x25	6	<b>Technical Specifications:</b> From the transmission CY14666 up to transmission CY14731[C4], Single-plate clutch[M6], State police version[P.S.]
8	976484	Conical spring washer 8,2X15	6	<b>Technical Specifications:</b> From the transmission CY14666 up to transmission CY14731[C4], Single-plate clutch[M6], State police version[P.S.]
9	976563	Clutch drive tapped	1	<b>Technical Specifications:</b> From the transmission CY14666 up to transmission CY14731[C4], Single-plate clutch[M6], State police version[P.S.]
10	976564	Bushing	1	<b>Technical Specifications:</b> From the transmission CY14666 up to transmission CY14731[C4], Single-plate clutch[M6], State police version[P.S.]
11	GU14085900	Bush	2	<b>Technical Specifications:</b> From the transmission CY14666 up to transmission CY14731[C4], Single-plate clutch[M6], State police version[P.S.]

<b>Group</b>	ENGINE
<b>Code</b>	34.69
<b>Description</b>	Single-plate clutch
<b>Service</b>	1



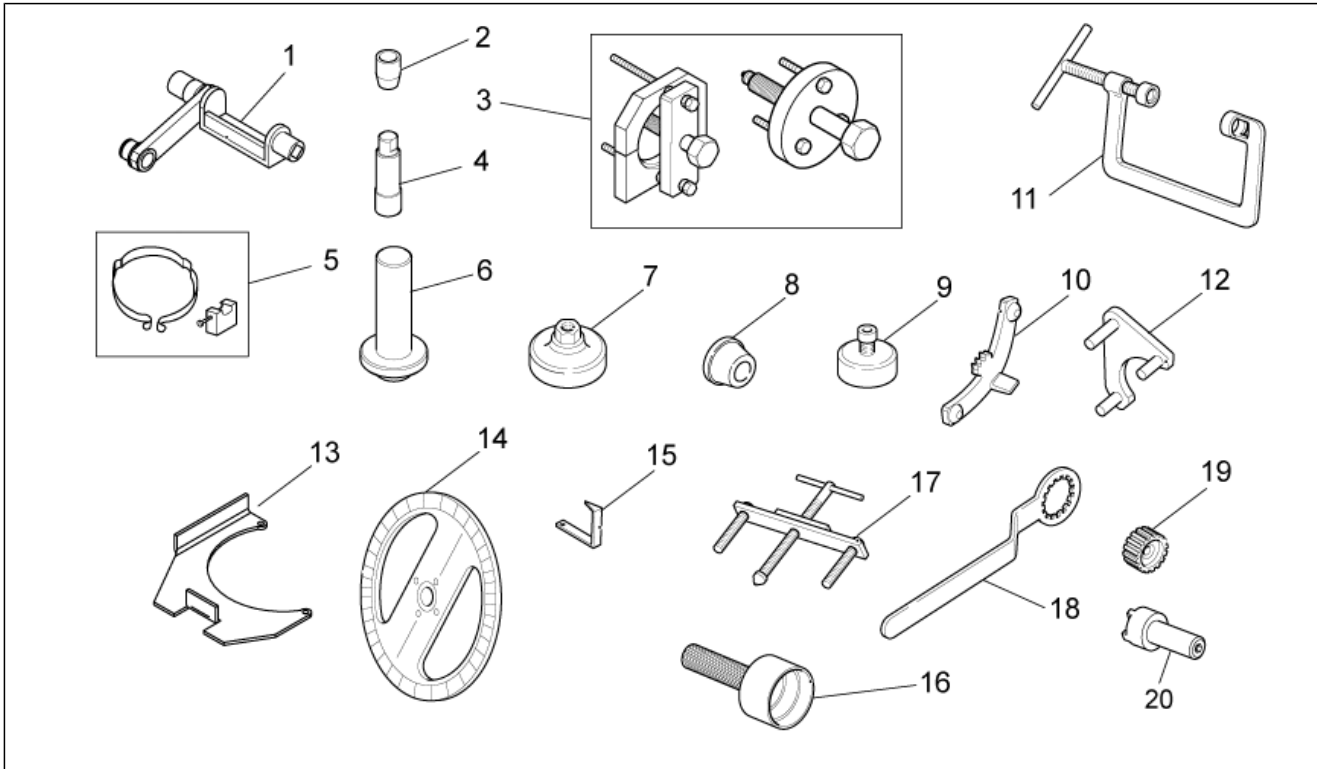
Pos.	Code	Description	Qty	Variants
12	976593	Rod L=mm183	1	<b>Technical Specifications:</b> An identification cut[1T], From the transmission CY14666 up to transmission CY14731[C4], Single-plate clutch[M6], State police version[P.S.]
12	976594	Rod L=mm184,5	1	<b>Technical Specifications:</b> Two identification cuts[2T], From the transmission CY14666 up to transmission CY14731[C4], Single-plate clutch[M6], State police version[P.S.]
12	976595	Rod L=mm186	1	<b>Technical Specifications:</b> Three identification cuts[3T], From the transmission CY14666 up to transmission CY14731[C4], Single-plate clutch[M6], State police version[P.S.]
12	976596	Rod L=mm187,5	1	<b>Technical Specifications:</b> Four identification cuts[4T], From the transmission CY14666 up to transmission CY14731[C4], Single-plate clutch[M6], State police version[P.S.]
12	B0630111	Asta L=mm 1 185	1	<b>Technical Specifications:</b> Cinque tagli di identificazione[5T], Single-plate clutch[M6]
12	B063012	Asta L=mm 185,5	1	<b>Technical Specifications:</b> Cinque tagli di identificazione[5T], Single-plate clutch[M6]
13	GU14086000	Inner body	1	
14	976679	Thrust bearing 10x24	1	
15	976682	Clutch control cylinder	1	

<b>Group</b>	ENGINE
<b>Code</b>	34.70
<b>Description</b>	Single-plate clutch shaft
<b>Service</b>	1



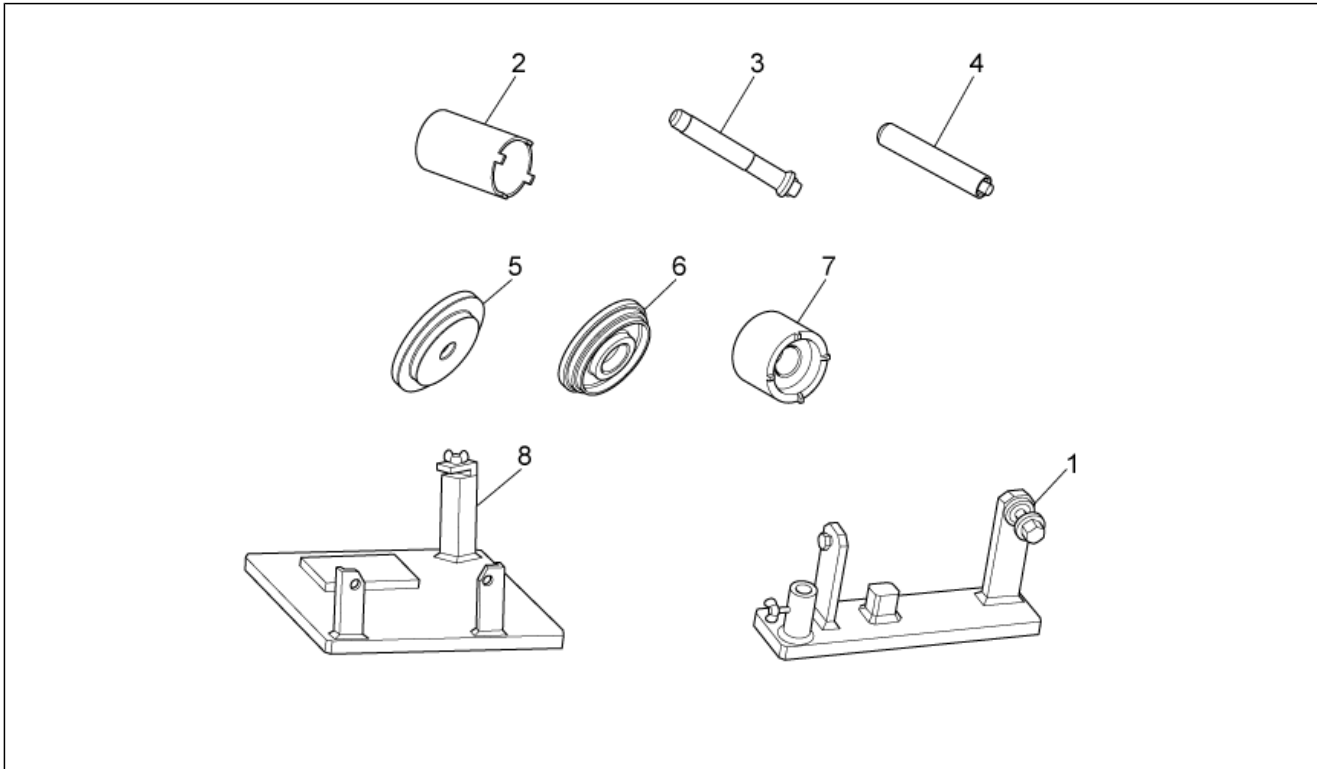
Pos.	Code	Description	Qty	Variants
1	976352	Clutch shaft Z=24	1	<b>Technical Specifications:</b> From the transmission CY14666 up to transmission CY14731[C4], Single-plate clutch[M6], State police version[P.S.]
2	GU92201226	Ball bearing 25x52x15	1	<b>Technical Specifications:</b> From the transmission CY14666 up to transmission CY14731[C4], Single-plate clutch[M6], State police version[P.S.]
3	976533	Gasket ring 25x47x7	1	<b>Technical Specifications:</b> From the transmission CY14666 up to transmission CY14731[C4], Single-plate clutch[M6], State police version[P.S.]
4	976532	Thrust bearing	1	<b>Technical Specifications:</b> From the transmission CY14666 up to transmission CY14731[C4], Single-plate clutch[M6], State police version[P.S.]
5	GU92232028	Roller bearing 20x28x13	1	<b>Technical Specifications:</b> From the transmission CY14666 up to transmission CY14731[C4], Single-plate clutch[M6], State police version[P.S.]

<b>Group</b>	SPECIAL TOOLS
<b>Code</b>	36.67
<b>Description</b>	Specific tools I
<b>Service</b>	1



Pos.	Code	Description	Qty	Variants
1	GU05948630	Belt tensioning tool	1	
2	GU05911730	Front cover installation cone	1	
3	GU05912530	Gearbox opening tool	1	
4	GU05901930	Spark plug spanner	1	
5	GU05928030	Piston ring clamp	1	
6	GU05927230	Timing cover seal drift	1	
7	GU01929100	Wrench remov.cover sump/filter	1	
8	GU12912000	Flange flywheel side	1	
9	GU14927100	Seal ring onto flange fly.side	1	
10	GU12911801	Lock flywh.starter motor gear	1	
11	GU10907200	Valve removal and fitting	1	
12	GU14927300	Clamping the camshaft gearing	1	
13	GU05902530	Gearbox housing support	1	
14	GU19929600	Index plate tim.sett./ign.cont	1	
15	GU17947560	Arrow tim.set.ignition control	1	
16	GU19927100	Seal ring flange flywheel side	1	
17	GU12913600	Flange removal flywheel side	1	
18	GU30912810	Locking clutch internal body	1	
19	GU30906510	Tool for clutch assembly	1	
20	GU14912603	Key	1	

<b>Group</b>	SPECIAL TOOLS
<b>Code</b>	36.68
<b>Description</b>	Specific tools II
<b>Service</b>	1



Pos.	Code	Description	Qty	Variants
1	GU05902736	Bevel gears support	1	
2	AP8140190	Steering lock tool	1	
3	GU05902732	Handle for drifts	1	
4	GU05902733	Ball joint seal drift	1	
5	GU05902731	Transmis.box oil seal drift 85	1	
6	GU05902735	Sprocket oil seal drift 45x58	1	
7	GU05902734	Wrench for sprocket ring nut	1	
8	GU05902730	Transmission box support	1	
9	GU05902736	Bevel gears support	1	