



PIAGGIO & C.s.p.a.



SPARE PARTS CATALOGUE



Stelvio 1200 8V STD - NTX 2011-2014

Chassis prefix: ZGULZE00, ZGULZG00, ZGULZU01

Engine prefix:

STELVIO

GU110



Index

Finished products.....	4
Alphanumeric index.....	6
FRAME.....	13
Table 33.01 - Frame.....	13
Table 33.02 - Frame II.....	14
Table 33.03 - Stands.....	15
Table 33.04 - Front footrests.....	17
Table 33.05 - Rear footrests.....	18
Table 33.06 - Gear lever.....	19
Table 33.07 - Steering.....	20
Table 33.08 - Front fork.....	21
Table 33.09 - Swing arm.....	23
Table 33.10 - Transmission complete.....	24
Table 33.11 - Trans.cpl.-Cage.....	25
Table 33.12 - Trans.cpl.-Bevel gear.....	26
Table 33.13 - Connecting rod - rear shock abs.....	27
Table 33.14 - Fuel tank.....	28
Table 33.15 - Front body - Front fairing.....	29
Table 33.16 - Front body - Duct.....	31
Table 33.17 - Central body.....	33
Table 33.18 - Front mud.-Pillar.....	34
Table 33.19 - Saddle.....	35
Table 33.20 - Rear body I.....	36
Table 33.21 - Rear body II.....	37
Table 33.22 - Rear handle - Luggage rack.....	38
Table 33.23 - Dashboard.....	39
Table 33.24 - Handlebar - Controls.....	40
Table 33.25 - Front master cilinder.....	41
Table 33.26 - Clutch control complete.....	42
Table 33.27 - Oil radiator.....	43
Table 33.28 - Blow-by system.....	44
Table 33.29 - Fuel supply.....	45
Table 33.30 - Air box.....	46
Table 33.31 - Exhaust unit.....	47
Table 33.33 - Front wheel.....	48
Table 33.34 - Front brake caliper.....	50
Table 33.35 - Rear wheel.....	51
Table 33.36 - Rear master cylinder.....	52
Table 33.37 - Rear brake caliper.....	54
Table 33.39 - ABS Brake system 2010.....	55
Table 33.40 - Headlight/Horn.....	56
Table 33.41 - Taillight.....	57
Table 33.42 - Electrical system I.....	58



Table 33.43 - Electrical system II.....	60
Table 33.44 - Lock hardware kit.....	62
Table 33.45 - Plate set-decal-op.handbooks.....	63
Table 33.46 - Front wheel II.....	65
Table 33.47 - Rear wheel II.....	66
Table 33.66 - Special parts.....	67
Table 33.69 - Fuel vapour recover system.....	69
ENGINE.....	70
Table 34.46 - Crank-case I.....	70
Table 34.47 - Crank-case II.....	72
Table 34.48 - Cylinder head - valves.....	73
Table 34.49 - Head cover.....	74
Table 34.50 - RH cylinder timing system (bowl).....	75
Table 34.51 - LH cylinder timing system I.....	77
Table 34.52 - Drive shaft - Cylinder.....	79
Table 34.53 - Timing system.....	81
Table 34.54 - Lubrication.....	82
Table 34.55 - Oil pump.....	83
Table 34.56 - Oil filters.....	84
Table 34.57 - Clutch.....	85
Table 34.58 - Transmission cage.....	86
Table 34.59 - Gear box selector.....	87
Table 34.60 - Primary gear shaft.....	88
Table 34.61 - Driven shaft.....	89
Table 34.62 - Clutch shaft.....	90
Table 34.63 - Current generator.....	91
Table 34.64 - Starter motor.....	92
Table 34.65 - Throttle body.....	93
Table 34.66 - RH cylinder timing system (roller).....	94
Table 34.67 - LH cylinder timing system (roller).....	96
SPECIAL TOOLS.....	98
Table 36.67 - Specific tools I.....	98
Table 36.68 - Specific tools II.....	99



Finished products

Code	Validity
GU9032759AUB00	
GU9032759AUB03	
GU9032759EUA00	
GU9032759EUA01	
GU9032759EUA02	
GU9032759EUA03	
GU9032759GBA00	
GU9032759GBA01	
GU9032759GBA02	
GU9032759GBA03	
GU9032760AUB00	
GU9032760AUB01	
GU9032760AUC00	
GU9032760AUC02	
GU9032760CAC00	
GU9032760CAC01	
GU9032760CAC02	
GU9032760CAD00	
GU9032760CAD01	
GU9032760CAD02	
GU9032760CAE00	
GU9032760CAE01	
GU9032760CAE02	
GU9032760CAE03	
GU9032760EUA00	
GU9032760EUA01	
GU9032760EUC00	
GU9032760EUC02	
GU9032760GBA00	
GU9032760GBA01	
GU9032760GBC00	
GU9032760GBC02	
GU9032760USC00	
GU9032760USC01	
GU9032760USC02	
GU9032760USD00	
GU9032760USD01	
GU9032760USD02	
GU9032760USE00	
GU9032760USE01	
GU9032760USE02	
GU9032760USE03	



STELVIO
GU110 - Stelvio 1200 8V STD - NTX 2011-2014

Chassis prefix: ZGULZE00, ZGULZG00,
ZGULZU01
Engine prefix:

Code	Validity
GU9032761EUA00	
GU9032761EUA01	



Code	No. table	Pos.	Code	No. table	Pos.	Code	No. table	Pos.
013763	34.54	8	640879	33.43	18	874280	34.53	18
015792	34.50	5	641277	33.29	9	874281	34.53	11
015792	34.51	5	641541	34.54	16	874286	34.52	7
015792	34.66	5	642221	33.42	20	874287	34.52	4
015792	34.67	5	642233	33.42	11	874288	34.52	5
015935	34.46	34	825597	34.47	4	874289	34.52	6
018622	33.13	2	825597	34.48	11	874293	34.52	15
020470Y	36.67	5	825597	34.52	11	874482	34.55	8
020672Y	36.67	12	827018	34.48	10	874567	34.52	8
020673Y	36.67	16	829122	34.56	2	874601	34.50	19
020674Y	36.67	19	829232	34.53	13	874601	34.51	19
020675Y	36.67	20	829486	34.55	5	874601	34.66	26
020676Y	36.67	21	829661	34.55	6	874601	34.67	26
020677Y	36.67	1	833520	34.50	7	874621	34.50	3
020678Y	36.67	22	833520	34.51	7	874621	34.51	3
020689Y	36.67	23	833520	34.66	22	874621	34.52	12
020716Y	36.67	4	833520	34.67	22	874622	34.50	3
237553	34.55	7	842360	34.66	6	874622	34.51	3
244585	34.51	29	842360	34.67	6	874622	34.52	12
244585	34.67	33	843060	34.50	20	874645	34.54	9
248419	33.15	21	843060	34.51	20	874646	34.54	7
248419	33.16	11	843060	34.66	27	8746505	34.55	1
248419	33.17	5	843060	34.67	27	874655	34.54	11
248419	33.18	10	847180	33.42	22	874669	34.54	4
248419	33.20	2	849131	34.52	18	874801	34.55	10
248419	33.21	2	849866	34.52	23	874980	34.46	26
248419	33.22	15	85222R	33.24	15	875173	34.50	23
248419	33.23	19	85223R	33.24	16	875173	34.51	23
248419	33.40	7	854937	33.29	3	875243	34.52	19
269787	33.15	4	856062	33.69	8	875244	34.52	19
285846	34.48	8	856063	33.69	6	877056	34.65	17
292022	33.40	3	856152	33.43	28	877057	34.65	16
292022	33.41	13	856330	33.69	10	877062	33.30	1
292723	33.40	2	859777	33.33	21	877101	34.55	11
293556	33.66	24	859777	33.46	17	877820	34.56	6
2L000171	33.45	20	859792	33.33	19	878275	34.52	10
2L000172	33.45	18	859792	33.46	15	8783390001	34.52	17
2L000173	33.45	19	860138	33.69	7	8783390002	34.52	17
2R000006	33.40	22	872695	34.48	3	8783390003	34.52	17
2R000007	33.40	23	872696	34.48	4	878574	34.66	1
411209	34.46	2	872740	34.49	14	878574	34.67	1
414835	34.55	9	872741	34.49	11	8787074	34.53	15
414837	34.66	17	872742	34.49	7	878751	34.50	13
414837	34.67	17	872759	34.50	6	878751	34.51	13
434947	34.54	6	872759	34.51	6	878868	34.50	27
436438	34.48	6	872759	34.66	4	878868	34.51	27
484819	34.50	11	872759	34.67	4	878868	34.66	32
484819	34.51	11	873626	34.49	9	878868	34.67	32
487444	34.50	14	873631	34.50	12	8792724	34.50	16
487444	34.51	14	873631	34.51	12	879404	34.52	25
487444	34.66	23	873654	34.49	13	879405	34.52	26
487444	34.67	23	873667	34.52	2	879707	34.50	10
487567	34.65	25	873689	34.50	28	879707	34.51	10
560110	34.46	10	873689	34.52	20	879707	34.66	11
560173	33.15	5	873690	34.51	28	879707	34.67	11
581061	33.43	9	873690	34.52	21	879869	34.58	5
581957	34.54	12	873850	34.50	10	879871	34.58	1
584332	33.40	9	873850	34.51	10	879872	34.46	16
584332	33.41	2	873861	34.65	14	879874	34.46	18
584344	33.31	24	873879	34.65	7	879876	34.47	1
598839	33.28	4	873906	34.55	14	879877	34.65	8
598839	33.35	18	873928	34.53	8	879878	34.65	3
598839	33.36	12	874126	34.48	9	879916	34.50	11
598839	33.47	12	874127	34.48	5	879916	34.51	11
598839	34.57	4	874134	34.46	33	879916	34.66	10
639542	33.03	11	874223	34.54	3	879916	34.67	10
639687	33.42	12	874238	34.54	18	879936	34.66	19



Code	No. table	Pos.	Code	No. table	Pos.	Code	No. table	Pos.
879936	34.67	19	884093	33.33	1	886647	33.20	1
879937	34.66	20	884094	33.35	1	886738	33.66	8
879937	34.67	20	884166	33.35	1	886739	33.66	19
879938	34.66	18	884168	33.33	1	886740	33.66	2
879938	34.67	18	884312	33.24	24	886741	33.66	20
879975	34.49	3	884312	33.66	25	886819	33.23	6
879987	34.49	8	884318	33.45	20	886821	33.16	3
880123	34.49	10	884319	33.45	18	886822	33.16	4
880124	34.49	1	884320	33.45	19	886823	33.16	5
880127	34.49	15	886078	33.15	13	886824	33.16	6
880270	34.65	1	886079	33.15	14	886828	33.14	5
880398	34.46	1	886098	33.28	1	886831	33.27	1
880879	34.50	4	886149	33.39	3	886857	34.64	4
880881	34.51	4	886159	33.24	11	886858	33.27	5
880965	34.50	21	886162	33.39	1	886905	33.45	16
880965	34.51	21	886163	33.39	5	886906	33.45	15
880965	34.66	28	886164	33.39	2	886907	33.45	1
880965	34.67	28	886165	33.39	6	886911	33.43	13
883009	33.33	1	886175	33.19	6	886929	33.66	4
883023	33.20	5	88617600A2	33.19	1	886930	33.66	5
883024	33.20	4	886184	33.04	3	886933	33.04	21
883034	33.28	5	886185	33.04	10	886944	33.45	17
883035	33.28	6	886191	33.08	1	886987	33.04	1
883036	33.28	8	886192	33.08	23	887029	33.40	1
883044	33.06	9	886195	33.15	6	887033	33.15	16
883045	33.10	7	886196	33.15	7	887039	33.15	24
883046	33.10	2	886197	33.15	10	887040	33.15	25
883047	33.22	12	886198	33.15	11	887067	33.34	1
883048	33.19	9	886199	33.07	1	887068	33.34	2
883092	33.29	7	886199	33.08	11	887070	33.34	3
883093	33.29	8	886201	33.13	1	887082	33.35	2
883094	33.31	7	886202	33.07	2	887083	33.35	3
883097	33.30	12	886202	33.08	13	887085	33.33	5
883101	33.01	20	886205	33.20	9	887091	33.08	1
883103	33.04	2	886206	33.20	6	887092	33.08	23
883107	33.04	20	886207	33.20	7	887095	33.14	9
883127	34.63	13	88621100A2	33.19	4	887123	34.54	22
883134	33.66	14	886229	33.24	6	887134	33.15	3
883144	34.46	24	886234	33.24	10	887174	33.15	2
883148	33.42	29	886236	33.15	15	887209	34.65	24
883177	33.20	15	88625400BM	33.18	1	887313	33.66	23
883208	33.03	30	88625400NI	33.18	1	887319	33.08	8
883214	33.21	13	88625400XV6	33.18	1	887320	33.08	10
883253	33.66	10	88625400Y02	33.18	1	887328	33.15	3
883254	33.66	9	88625400YA2	33.18	1	887450	33.45	18
883413	33.03	31	886255	34.63	1	887451	33.45	19
883433	33.35	1	886307	33.31	15	887452	33.45	20
883460	33.24	19	886311	33.33	24	887458	33.66	2
883461	33.24	20	886311	33.46	9	887459	33.66	20
88346700NI	33.16	16	886312	33.35	8	887820	33.40	1
88346700Y11	33.16	16	886312	33.47	2	887821	33.40	21
88346800NI	33.16	17	886315	33.08	5	887947	33.43	29
88346800Y11	33.16	17	886316	33.08	15	890513	33.30	4
883493	34.49	4	886317	33.08	7	894704	33.33	10
883543	33.24	11	886318	33.08	20	894704	33.35	19
883617	33.20	8	886319	33.08	8	894704	33.46	20
883633	33.29	5	886320	33.08	10	894704	33.47	13
883655	33.66	15	886321	33.08	9	895351	33.39	4
883656	33.03	1	886322	33.08	26	895481	33.42	17
883657	33.66	7	886323	33.08	21	896011	33.33	12
883664	33.03	6	886324	33.08	14	896011	33.46	7
883768	33.23	13	886325	33.40	12	896012	33.33	11
883776	33.45	11	886326	33.03	10	896012	33.46	8
883966	33.09	3	886329	33.18	3	896110	33.31	12
883969	33.66	1	886339	33.28	17	896540	34.65	20
883991	33.66	22	88662300YE2	33.01	1	896715	33.42	19
884033	33.36	24	886646	33.02	1	897241	33.45	7



Code	No. table	Pos.	Code	No. table	Pos.	Code	No. table	Pos.
897618	33.29	4	976341	34.66	29	977582	33.31	20
897622	33.31	1	976341	34.67	29	977666	33.44	1
897623	33.31	2	976342	34.52	22	977681	33.15	12
897624	33.31	8	976350	34.50	18	977795	33.41	12
897629	33.46	1	976350	34.51	18	977916	33.43	3
897631	33.47	1	976350	34.66	25	977918	33.44	6
897634	33.42	2	976350	34.67	25	978002	33.03	7
897635	33.14	1	976351	34.62	1	978030	33.33	15
89763500BM	33.14	1	976355	34.53	6	978030	33.46	12
89763500NI	33.14	1	976359	34.50	8	978040	33.24	1
89763500XV6	33.14	1	976359	34.51	8	978042	33.24	4
89763500Y02	33.14	1	976360	34.50	9	978059	33.24	18
89763500YA2	33.14	1	976360	34.51	9	978152	33.17	3
897636	33.29	1	976376	33.31	3	978152	33.42	3
897637	33.16	1	976381	34.53	2	978220	33.44	5
89763700BM	33.16	1	976478	34.47	9	978301	33.35	14
89763700NI	33.16	1	976481	34.57	7	978350	33.09	1
89763700Y02	33.16	1	976484	34.57	8	978392	33.11	17
89763700Y11	33.16	1	976488	34.53	3	978414	33.37	1
89763700YA2	33.16	1	976498	34.65	5	978425	33.21	1
897638	33.16	2	976521	33.31	14	978427	33.40	10
89763800BM	33.16	2	976532	34.62	4	978428	33.40	8
89763800NI	33.16	2	976533	34.62	3	97843900Y10	33.22	1
89763800Y02	33.16	2	976535	34.57	5	978444	33.31	22
89763800Y11	33.16	2	976538	34.53	10	978445	33.18	1
89763800YA2	33.16	2	976554	34.47	5	978449	33.23	5
897639	33.16	8	976556	33.42	27	978516	33.33	4
89763900NI	33.16	8	976559	34.49	12	978516	33.46	2
89763900NI	33.16	8	976560	34.49	6	978526	33.01	14
89763900Y11	33.16	8	976564	34.57	10	978579	33.27	1
897640	33.16	9	976566	34.65	6	978606	33.25	1
89764000NI	33.16	9	976570	33.10	1	978607	33.26	1
89764000NI	33.16	9	976581	33.12	1	978647	33.45	8
89764000Y11	33.16	9	976589	34.50	17	978739	34.57	3
897641	33.15	1	976589	34.51	17	978776	33.18	5
89764100NI	33.15	1	976589	34.66	8	978777	33.18	4
89764100Y11	33.15	1	976589	34.67	8	978784	33.25	6
897645	33.23	1	976591	34.49	2	978810	33.33	6
897886	33.41	1	976592	34.54	5	978810	33.35	5
898165	33.17	1	976593	34.57	12	978811	33.33	8
89816500NI	33.17	1	976594	34.57	12	978811	33.35	6
89816600NI	33.23	2	976595	34.57	12	978814	33.35	4
89816600Y11	33.23	2	976596	34.57	12	978815	33.35	2
898169	33.05	12	976597	34.54	19	978816	33.35	3
899064	34.54	21	976614	33.15	26	978821	33.24	2
899505	33.42	1	976614	33.23	3	978841	33.01	4
899505	33.43	1	976625	34.54	14	978846	33.27	5
899522	33.40	20	976635	34.56	8	978864	33.33	5
969323	34.54	10	976636	34.56	7	978874	33.01	6
976053	34.57	2	976649	34.53	17	978882	33.45	6
976311	34.50	3	976665	34.53	16	978895	34.54	1
976311	34.51	3	976674	34.50	15	978911	33.26	7
976311	34.52	12	976674	34.51	15	978984	33.01	7
976312	34.52	9	976674	34.66	24	981007	34.52	13
976330	34.53	1	976674	34.67	24	981008	34.52	1
976331	34.53	4	976680	34.54	15	981009	34.52	3
976334	34.53	9	976681	34.54	17	981010	34.65	2
976337	34.50	26	976695	34.57	1	981024	33.08	16
976337	34.51	26	976696	34.57	14	981025	33.08	17
976337	34.66	31	976703	34.46	19	981026	33.08	18
976337	34.67	31	9769795	34.46	30	981027	33.08	19
976338	34.50	25	976985	34.58	17	981033	33.08	22
976338	34.51	25	9769865	34.46	30	981046	33.26	2
976338	34.66	30	977041	33.36	14	981050	33.25	2
976338	34.67	30	977056	33.35	15	981073	33.66	3
976341	34.50	24	977056	33.47	5	981087	33.23	18
976341	34.51	24	977303	33.45	4	981087	33.44	7



Code	No. table	Pos.	Code	No. table	Pos.	Code	No. table	Pos.
981099	33.24	22	AP8120446	33.69	18	AP8144007	33.06	7
981100	33.24	23	AP8120485	33.12	7	AP8144007	33.36	25
981101	33.24	21	AP8120622	33.15	8	AP8144038	33.30	18
AP4ADN000007	34.46	20	AP8120831	33.04	11	AP8144065	33.16	14
AP8101372	33.14	6	AP8120831	33.04	4	AP8144071	33.31	18
AP8101586	33.28	15	AP8120876	33.15	23	AP8144164	33.30	8
AP8101595	33.30	19	AP8120876	33.30	20	AP8144303	33.69	9
AP8101595	33.36	5	AP8120912	33.06	3	AP8144662	33.23	7
AP8101595	34.58	15	AP8120912	33.36	20	AP8149034	33.21	10
AP8101744	33.33	7	AP8120952	34.58	16	AP8150046	34.47	10
AP8101744	33.35	4	AP8120965	33.14	10	AP8150220	33.08	4
AP8101861	33.05	7	AP8121032	33.39	13	AP8150255	33.23	8
AP8102159	33.69	17	AP8121032	34.64	7	AP8150285	33.14	4
AP8102239	33.69	4	AP8121072	33.31	19	AP8150292	33.03	16
AP8102349	33.28	7	AP8121096	33.18	12	AP8150292	33.13	13
AP8102378	33.69	14	AP8121098	33.12	6	AP8150342	33.24	9
AP8102381	33.15	22	AP8121133	33.05	6	AP8150342	33.66	13
AP8102381	33.16	12	AP8121155	33.13	10	AP8150413	33.23	17
AP8102381	33.16	19	AP8121205	33.07	9	AP8150421	33.16	7
AP8102381	33.40	18	AP8121207	33.07	4	AP8150421	33.23	20
AP8102503	33.14	11	AP8121218	33.10	4	AP8150421	33.30	9
AP8102523	33.19	12	AP8121221	33.06	2	AP8150432	33.01	13
AP8102524	33.03	17	AP8121221	33.36	19	AP8150450	33.16	13
AP8102678	33.69	1	AP8121223	33.06	6	AP8150462	33.06	5
AP8102738	33.69	5	AP8121267	33.69	16	AP8150462	33.36	22
AP8102764	33.28	14	AP8121467	33.03	2	AP8150509	33.22	13
AP8102765	33.28	11	AP8121567	33.04	8	AP8150509	33.23	9
AP8102913	33.19	7	AP8121567	33.05	4	AP8152001	33.03	15
AP8104329	33.30	2	AP8121607	33.03	32	AP8152043	33.23	14
AP8104572	33.24	8	AP8121795	33.42	4	AP8152147	33.13	12
AP8104627	33.66	11	AP8121819	33.66	12	AP8152154	33.22	9
AP8104803	33.14	3	AP8121882	33.23	16	AP8152166	34.53	7
AP8104921	33.24	13	AP8121890	33.22	10	AP8152238	33.23	11
AP8104922	33.24	14	AP8121994	33.03	14	AP8152242	33.10	5
AP8110066	33.13	5	AP8123206	33.08	3	AP8152268	33.21	6
AP8110068	33.13	6	AP8123641	33.07	7	AP8152272	33.35	11
AP8110077	33.07	8	AP8123642	33.07	5	AP8152272	33.47	7
AP8112811	33.43	4	AP8123643	33.07	3	AP8152273	33.33	20
AP8112996	33.36	27	AP8123644	33.07	6	AP8152273	33.46	16
AP8113003	33.26	8	AP8124421	33.14	8	AP8152277	33.04	7
AP8113003	33.39	7	AP8124768	33.43	12	AP8152277	33.05	13
AP8113004	33.26	9	AP8124936	33.43	8	AP8152277	33.05	8
AP8113004	33.39	8	AP8125773	33.33	3	AP8152277	33.39	14
AP8113070	33.34	5	AP8125773	33.46	4	AP8152277	33.69	3
AP8113070	33.39	10	AP8125777	33.33	2	AP8152278	33.15	19
AP8113081	33.36	16	AP8125777	33.46	3	AP8152279	33.02	4
AP8113082	33.36	17	AP8126701	33.19	3	AP8152279	33.36	4
AP8113288	33.36	3	AP8127098	33.41	6	AP8152279	33.40	13
AP8113594	33.36	2	AP8128189	33.33	13	AP8152279	33.42	13
AP8113993	33.25	5	AP8128189	33.46	14	AP8152280	33.14	7
AP8113993	33.26	4	AP8133779	33.36	6	AP8152280	33.20	13
AP8113995	33.25	3	AP8133945	33.34	4	AP8152280	33.27	2
AP8113997	33.26	5	AP8133945	33.39	9	AP8152280	33.30	16
AP8113998	33.26	6	AP8133962	33.25	7	AP8152286	33.33	14
AP8117003	33.15	28	AP8134276	33.04	5	AP8152286	33.46	10
AP8117200	34.64	5	AP8134378	33.31	17	AP8152287	33.03	24
AP8118579	33.24	7	AP8134448	33.21	4	AP8152288	33.01	8
AP8120001	33.19	2	AP8134451	33.05	5	AP8152291	34.46	29
AP8120001	33.66	21	AP8134884	33.69	2	AP8152298	33.07	13
AP8120030	33.27	4	AP8134948	33.19	11	AP8152299	33.40	14
AP8120030	33.28	3	AP8135608	33.13	8	AP8152300	33.02	3
AP8120030	33.30	14	AP8135924	33.13	4	AP8152300	33.03	27
AP8120030	33.39	11	AP8140146	36.68	10	AP8152300	33.04	13
AP8120030	33.40	6	AP8140149	36.68	11	AP8152301	33.13	11
AP8120030	33.42	14	AP8140179	36.67	11	AP8152301	33.31	11
AP8120178	33.36	13	AP8140190	36.68	1	AP8152302	33.15	27
AP8120428	33.03	22	AP8140758	36.68	9	AP8152302	33.16	15



Code	No. table	Pos.	Code	No. table	Pos.	Code	No. table	Pos.
AP8152302	33.18	2	AP8706314	33.66	24	CM225720	33.43	20
AP8152302	33.20	16	AP9100765	33.43	27	CM225730	33.43	5
AP8152302	33.21	3	AP9100838	36.67	3	CM225740	33.43	6
AP8152302	33.22	16	AP9100855	33.08	25	GU00823923140	33.03	23
AP8152302	33.41	3	AP9100856	33.08	6	GU00823955080	33.28	12
AP8152306	33.21	7	AP9150472	34.54	23	GU01003651	34.46	15
AP8152306	33.41	11	B013036	34.57	9	GU01154230	33.28	10
AP8152306	33.42	34	B0133785001	34.52	14	GU01154230	34.46	11
AP8152318	33.09	2	B0133785002	34.52	14	GU01154230	34.54	2
AP8152320	33.37	2	B0133785003	34.52	14	GU01161331	33.28	9
AP8152325	33.24	5	B013479	34.50	22	GU01161331	34.54	13
AP8152329	33.20	10	B013479	34.51	22	GU01528930	33.11	8
AP8152329	33.30	5	B013479	34.66	14	GU01528930	34.46	23
AP8152329	33.36	10	B013479	34.67	14	GU01528930	34.58	9
AP8152339	33.16	10	B013517	34.48	7	GU01530588	33.08	2
AP8152339	33.17	2	B013552	34.66	21	GU01603480	33.24	12
AP8152339	33.18	9	B013552	34.67	21	GU01609630	33.24	17
AP8152339	33.20	3	B013603	34.50	8	GU01612190	33.33	16
AP8152339	33.21	9	B013603	34.51	8	GU01612190	33.46	11
AP8152384	33.07	10	B0136034	34.66	9	GU01659130	33.34	6
AP8152396	33.13	16	B0136034	34.67	9	GU01659131	33.34	7
AP8152397	33.13	9	B013605	34.50	9	GU01721600	33.42	21
AP8152409	33.04	9	B013605	34.51	9	GU01722700	33.42	23
AP8152409	33.05	9	B0136054	34.66	12	GU01722701	33.42	23
AP8152410	33.10	3	B0136054	34.67	12	GU01722702	33.42	23
AP8152410	33.31	9	B013661	34.50	1	GU01722703	33.42	23
AP8152414	33.34	9	B013661	34.51	1	GU01722704	33.42	23
AP8152482	33.13	15	B013661	34.66	16	GU01722705	33.42	23
AP8157631	33.45	9	B013661	34.67	16	GU01929100	36.67	7
AP8158359	33.29	2	B013807	34.48	2	GU03013800	33.22	14
AP8161254	33.08	24	B013808	34.48	1	GU03013800	34.55	12
AP8163094	33.08	27	B014223	34.51	16	GU03013800	34.64	9
AP8163095	33.08	30	B014576	34.66	7	GU03256800	33.06	16
AP8163096	33.08	29	B014576	34.67	7	GU03469201	34.64	8
AP8163097	33.08	28	B015681	34.50	12	GU03604845	33.26	3
AP8178918	33.03	3	B015681	34.51	12	GU03617710	33.46	5
AP8201417	33.39	15	B016785	34.66	2	GU03617710	33.47	9
AP8201727	33.43	25	B016785	34.67	2	GU03749845	33.25	9
AP8201749	33.33	22	B017026	34.67	3	GU05001630	34.47	12
AP8201749	33.46	18	B017029	34.66	3	GU05002130	34.47	3
AP8201808	33.37	7	B043198	33.45	7	GU05003630	34.46	17
AP8202238	33.37	6	B043864	33.14	13	GU05005730	34.56	4
AP8220162	33.28	13	B0630111	34.57	12	GU05103930	33.14	2
AP8220263	33.14	12	B063012	34.57	12	GU05103930	33.44	2
AP8220263	33.20	12	B063025	34.58	11	GU05128230	33.31	13
AP8220283	33.42	30	B063045	33.45	15	GU05152230	34.56	3
AP8220346	33.31	10	B063226	33.45	21	GU05204930	34.58	8
AP8220526	33.30	13	B063314	33.45	15	GU05206530	33.11	12
AP8220546	33.42	16	B063858	33.44	1	GU05210631	34.60	1
AP8221023	33.27	3	B063859	33.44	2	GU05211331	34.60	10
AP8221023	33.30	17	B064021	33.66	6	GU05211431	34.60	7
AP8221023	33.39	12	CM013202	33.43	26	GU05212031	34.60	4
AP8221023	33.40	5	CM074706	34.65	4	GU05212631	34.60	9
AP8221023	33.42	15	CM162701	34.50	2	GU05213631	34.61	1
AP8221036	33.07	14	CM162701	34.51	2	GU05214031	34.61	7
AP8221128	33.18	7	CM162702	34.50	2	GU05214231	34.61	3
AP8221145	33.36	11	CM162702	34.51	2	GU05214431	34.61	12
AP8221160	33.01	11	CM162703	34.50	2	GU05214630	34.60	5
AP8221204	33.03	18	CM162703	34.51	2	GU05214630	34.61	5
AP8221211	33.03	19	CM162704	34.50	2	GU05214731	34.61	9
AP8221277	33.04	6	CM162704	34.51	2	GU05215031	34.61	10
AP8221307	33.01	11	CM162705	34.50	2	GU05215631	34.60	2
AP8221310	33.43	19	CM162705	34.51	2	GU05220531	34.61	11
AP8221317	33.03	4	CM225603	33.43	23	GU05230531	34.59	18
AP8221318	33.03	5	CM225605	33.43	24	GU05230831	34.59	21
AP8224164	33.21	5	CM225610	33.43	21	GU05232431	34.59	19
AP8224462	33.42	35	CM225615	33.43	22	GU05232631	34.59	20

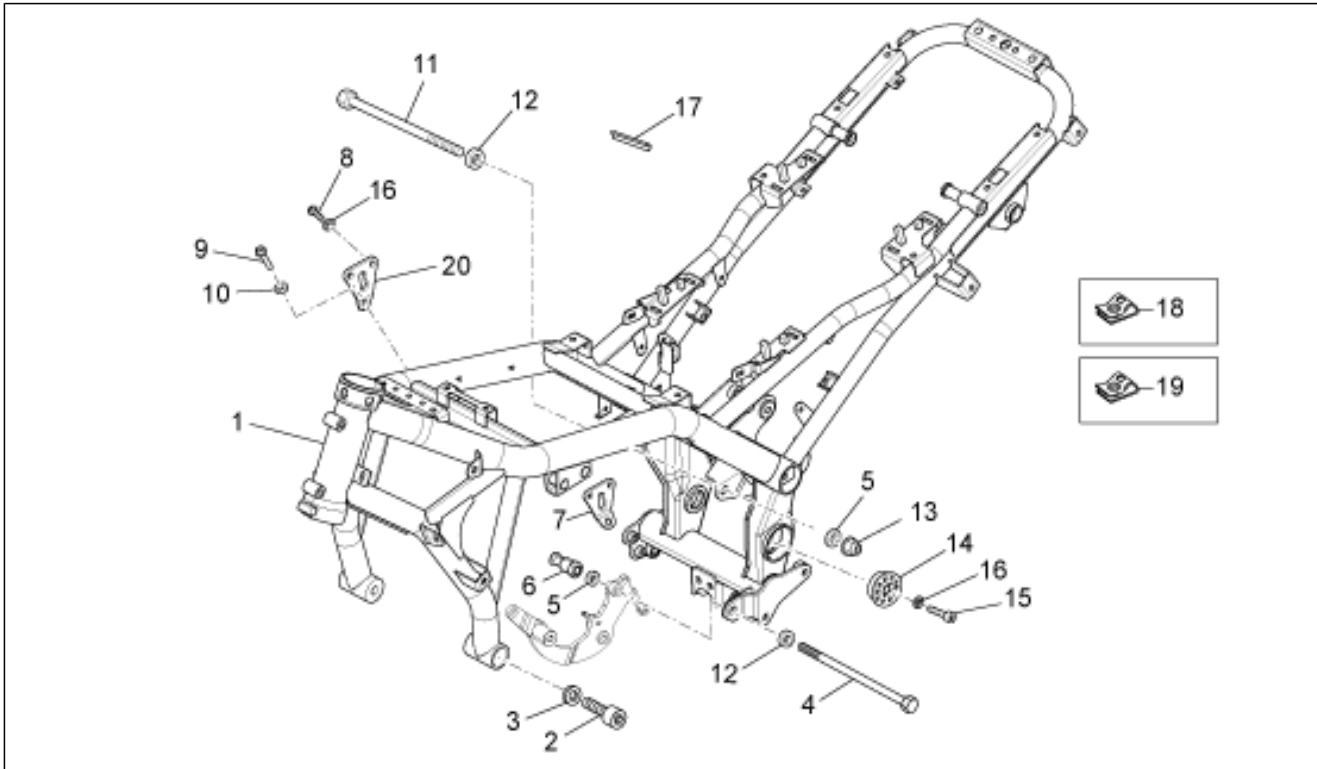


Code	No. table	Pos.	Code	No. table	Pos.	Code	No. table	Pos.
GU05234130	34.59	11	GU05902735	36.68	5	GU28576592	33.02	6
GU05234230	34.59	12	GU05902736	36.68	8	GU28576592	33.20	14
GU05234431	34.59	1	GU05911730	36.67	2	GU28576592	33.36	28
GU05234631	34.59	2	GU05927230	36.67	6	GU28576592	33.69	15
GU05234731	34.59	10	GU05944530	33.45	13	GU29722760	33.42	23
GU05234931	34.59	13	GU05944930	33.45	10	GU29729461	33.42	26
GU05235531	34.59	3	GU06113700	33.30	7	GU29732550	33.42	18
GU05236231	34.59	7	GU06114200	33.30	6	GU30027931	33.30	11
GU05238131	34.59	15	GU06123500	33.31	6	GU30150900	34.56	9
GU05238231	34.59	8	GU06250900	33.06	1	GU30153000	34.56	1
GU05238331	34.59	14	GU06409800	33.01	17	GU30158900	34.55	3
GU05238431	34.59	9	GU06412300	33.28	2	GU30158900	34.56	12
GU05239330	34.59	17	GU06609600	33.42	31	GU30217900	33.01	3
GU05256930	33.06	10	GU06609600	33.43	17	GU30217900	33.03	21
GU05326330	33.10	6	GU06616300	33.33	17	GU30434000	33.36	23
GU05351230	33.11	2	GU06616300	33.46	13	GU30714201	34.63	9
GU05352430	33.12	2	GU06677000	33.36	18	GU30716500	33.42	6
GU05358030	33.11	6	GU06704700	33.20	11	GU30729330	33.30	3
GU05358130	33.11	5	GU06747900	33.43	7	GU30944300	33.45	5
GU05358230	33.11	7	GU06765500	33.23	15	GU30970200	33.45	12
GU05358330	33.11	1	GU06917300	33.45	3	GU31003766	33.11	9
GU05358530	33.11	15	GU06917400	33.45	2	GU31003766	34.46	22
GU05358630	33.11	16	GU10528900	33.11	13	GU31003766	34.58	13
GU05429630	33.03	9	GU12006400	34.54	20	GU31159050	34.55	2
GU05466630	33.22	5	GU12018900	34.46	6	GU31159050	34.56	14
GU05466631	33.22	6	GU12022600	34.46	31	GU32258010	33.06	14
GU05466830	33.19	10	GU12911801	36.67	10	GU32258110	33.06	13
GU05466830	33.44	4	GU12912000	36.67	8	GU32441210	33.05	3
GU05547030	33.09	6	GU12913600	36.67	17	GU32442310	33.05	1
GU05547130	33.09	5	GU14018400	33.10	8	GU32442710	33.05	10
GU05547930	33.09	8	GU14085900	34.57	11	GU32443210	33.05	2
GU05560330	33.13	3	GU14086000	34.57	13	GU32443211	33.05	11
GU05562030	33.13	7	GU14217901	33.15	20	GU32461610	33.19	5
GU05562430	33.13	14	GU14433400	34.53	12	GU32474710	33.41	10
GU05606630	33.26	10	GU14609650	33.03	29	GU49609601	33.33	23
GU05632730	33.35	12	GU14609650	33.42	32	GU49609601	33.35	20
GU05632730	33.47	3	GU14609650	33.43	18	GU49609601	33.42	32
GU05635730	33.35	9	GU14615901	33.01	16	GU49609601	33.43	18
GU05635730	33.47	6	GU14615901	33.03	25	GU49609601	33.46	19
GU05638130	33.12	9	GU14615901	33.04	14	GU49609601	33.47	14
GU05654630	33.37	3	GU14615901	33.15	17	GU4FAN000030	34.63	10
GU05658431	33.07	12	GU14615901	33.22	4	GU61270300	34.46	13
GU05659030	33.37	5	GU14615901	33.31	5	GU80438610	33.21	8
GU05659130	33.37	4	GU14615901	34.46	5	GU90271014	34.59	16
GU05661130	33.25	4	GU14616150	33.33	18	GU90271022	34.59	4
GU05663530	33.36	7	GU14616150	33.35	10	GU90271030	34.60	8
GU05666030	33.36	9	GU14616150	33.46	6	GU90271030	34.61	8
GU05666930	33.36	1	GU14616150	33.47	8	GU90271230	34.60	6
GU05681530	33.35	13	GU14912603	36.67	24	GU90271230	34.61	6
GU05681530	33.47	10	GU14927100	36.67	9	GU90273026	33.12	8
GU05683730	33.35	17	GU17661052	33.36	8	GU90353014	34.59	22
GU05683730	33.47	11	GU17947560	36.67	15	GU90401424	34.58	12
GU05701430	34.63	7	GU18144350	34.55	4	GU90404558	33.12	3
GU05702530	34.63	6	GU18144350	34.56	13	GU90405367	34.46	4
GU05704531	33.43	2	GU18144350	34.58	7	GU90408511	33.11	10
GU05716730	33.42	7	GU19002020	34.58	14	GU90412237	34.47	2
GU05730730	34.64	1	GU19149800	33.01	10	GU90412541	34.61	14
GU05781630	33.08	31	GU19207220	34.58	10	GU90706009	33.69	11
GU05782530	33.23	10	GU19927100	36.67	18	GU90706009	34.65	23
GU05782530	33.44	3	GU19929600	36.67	14	GU90706061	33.33	9
GU05900130	33.45	14	GU25656100	33.25	8	GU90706061	33.35	7
GU05902530	36.67	13	GU25656100	33.34	8	GU90706151	34.56	5
GU05902730	36.68	7	GU28576591	33.01	18	GU90706178	34.46	25
GU05902731	36.68	4	GU28576591	33.27	7	GU90706203	34.46	32
GU05902732	36.68	2	GU28576591	33.28	16	GU90706347	34.47	8
GU05902733	36.68	3	GU28576591	33.31	23	GU90718120	33.11	3
GU05902734	36.68	6	GU28576592	33.01	19	GU91120507	33.40	16



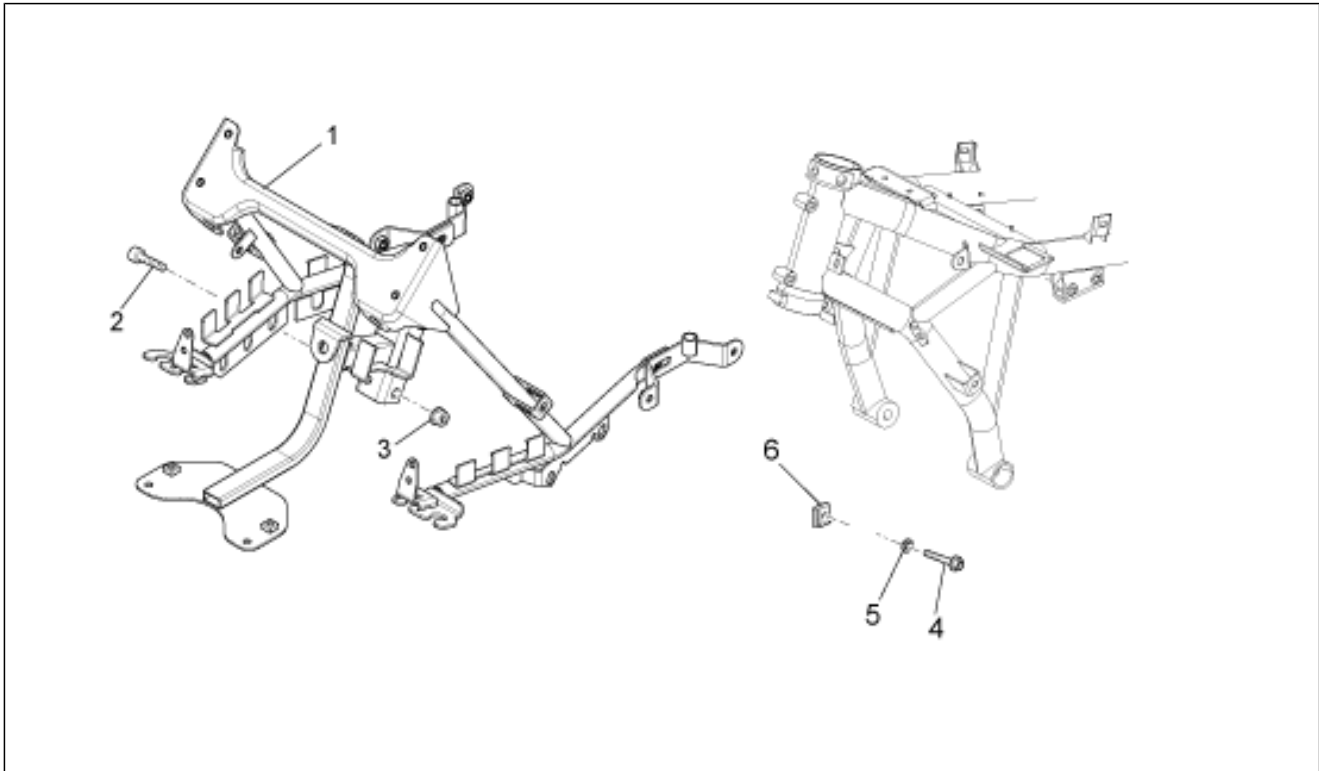
Code	No. table	Pos.	Code	No. table	Pos.	Code	No. table	Pos.
GU91120507	33.41	9	GU95100059	33.42	33	GU98680460	33.31	16
GU91120606	34.47	13	GU95100116	34.52	16	GU98680465	33.04	17
GU91120607	34.47	7	GU95100116	34.65	12	GU98680480	33.04	15
GU91180600	33.17	4	GU95100141	33.02	5	GU98682116	33.40	11
GU91180601	33.23	4	GU95129100	33.40	15	GU98682125	33.42	8
GU91180823	34.63	2	GU95129100	34.66	13	GU98682212	33.42	24
GU91551010	33.18	6	GU95129100	34.67	13	GU98682212	34.65	15
GU91600365	34.53	19	GU95129131	33.43	10	GU98682316	33.06	4
GU91600450	34.53	14	GU95129240	33.01	12	GU98682316	33.36	21
GU92201025	34.59	6	GU95510620	33.11	4	GU98682316	34.47	14
GU92201117	34.59	5	GU95512081	34.46	9	GU98682320	33.06	12
GU92201226	34.61	13	GU95963062	33.69	12	GU98682320	34.47	6
GU92201226	34.62	2	GU95963062	34.65	21	GU98682325	33.09	9
GU92201822	34.60	11	GU95980216	34.46	27	GU98682330	34.47	11
GU92201822	34.61	2	GU95980319	34.58	6	GU98682416	33.22	3
GU92204230	33.12	5	GU95990023	33.69	13	GU98682416	33.66	27
GU92208518	33.12	4	GU95990023	34.65	22	GU98682425	33.04	16
GU92232028	34.62	5	GU96508066	34.46	3	GU98682425	33.22	2
GU92249224	33.09	7	GU96508075	34.46	7	GU98682430	33.07	11
GU92252029	34.60	3	GU97202355	34.58	2	GU98682430	33.08	12
GU92252029	34.61	4	GU97202435	33.03	26	GU98682430	33.23	12
GU92605408	34.63	12	GU97202665	33.35	16	GU98682530	33.03	8
GU92606206	33.36	15	GU97202665	33.47	4	GU98682650	33.01	2
GU92606516	34.63	8	GU98054520	33.01	9	GU98683520	33.42	28
GU92609206	33.06	15	GU98082475	34.64	2	GU98690245	33.42	5
GU92609408	33.43	11	GU98084425	34.46	12	GU98692210	33.41	4
GU92630104	33.42	10	GU98223530	33.21	11	GU98692414	33.01	15
GU92630707	33.06	11	GU98230510	34.49	5	GU98692420	33.66	16
GU92630708	33.66	18	GU98230612	34.57	6	GU98692525	33.66	26
GU92650035	33.21	12	GU98230625	33.39	16	GU98700430	33.24	3
GU92650036	33.30	15	GU98230820	33.22	7	GU98882325	34.65	9
GU92650138	33.31	21	GU98230850	34.63	11	GU99210406	33.11	14
GU92660012	34.63	5	GU98231235	33.03	20			
GU92660021	33.31	4	GU98250635	33.22	11			
GU92660021	34.46	8	GU98257618	33.15	9			
GU92787205	33.43	16	GU98350210	33.43	14			
GU93180072	33.41	14	GU98350310	34.52	24			
GU93180220	34.58	3	GU98350310	34.65	11			
GU93242015	33.03	28	GU98350315	34.53	5			
GU93301313	33.30	10	GU98350320	33.39	17			
GU93304360	33.42	32	GU98350416	33.18	11			
GU93304390	33.09	4	GU98350425	33.18	8			
GU93304390	33.31	25	GU98350430	33.22	8			
GU93304390	33.42	32	GU98370412	33.16	18			
GU93304390	33.43	18	GU98370412	33.25	10			
GU93305061	34.65	13	GU98370609	34.64	6			
GU93306050	34.65	18	GU98370616	34.58	4			
GU94321077	34.56	10	GU98370625	33.19	8			
GU95005306	34.55	13	GU98612216	33.03	12			
GU95005308	33.66	17	GU98620335	34.46	14			
GU95005310	33.15	18	GU98620335	34.47	15			
GU95008204	33.42	9	GU98620445	34.63	3			
GU95008205	33.40	17	GU98620485	33.04	19			
GU95008205	33.41	8	GU98620560	34.63	4			
GU95008205	33.42	25	GU98622214	34.66	15			
GU95008205	33.43	15	GU98622214	34.67	15			
GU95008206	34.56	11	GU98680125	33.40	19			
GU95008206	34.65	10	GU98680222	33.29	6			
GU95008208	34.64	3	GU98680225	33.40	4			
GU95008210	33.06	8	GU98680225	33.41	7			
GU95008305	34.65	19	GU98680340	33.27	6			
GU95008310	33.36	26	GU98680340	34.46	28			
GU95008313	33.01	5	GU98680360	34.46	21			
GU95020105	33.03	13	GU98680435	33.04	12			
GU95021104	33.25	11	GU98680440	33.02	2			
GU95021206	33.36	29	GU98680450	33.11	11			
GU95100059	33.41	5	GU98680460	33.04	18			

Group	FRAME
Code	33.01
Description	Frame
Service	1



Pos.	Code	Description	Qty	Variants
1	88662300YE2	Frame	1	
2	GU98682650	Hex socket screw M12x50	2	
3	GU30217900	Washer 13x18x1,7	2	
4	978841	Pin M12x260	1	
5	GU95008313	Washer 13x24x2,5	2	
6	978874	Bushing	1	
7	978984	LH plate	1	
8	AP8152288	Screw w/ flange	4	
9	GU98054520	screw	2	
10	GU19149800	Washer 10,5x16x1	2	
11	AP8221160	Pin M12	1	Technical specification: NTX version[NTX]
11	AP8221307	Pin M12	1	Technical specification: Standard Version[Std]
12	GU95129240	Washer	2	
13	AP8150432	Low self-locking nut M12*	1	
14	978526	Cover	2	
15	GU98692414	screw M8x14	2	
16	GU14615901	Washer 8,4X13X0,8	6	
17	GU06409800	Gasket	1	
18	GU28576591	Clip M6	8	
19	GU28576592	Nut with clip M6	6	
20	883101	RH plate	1	

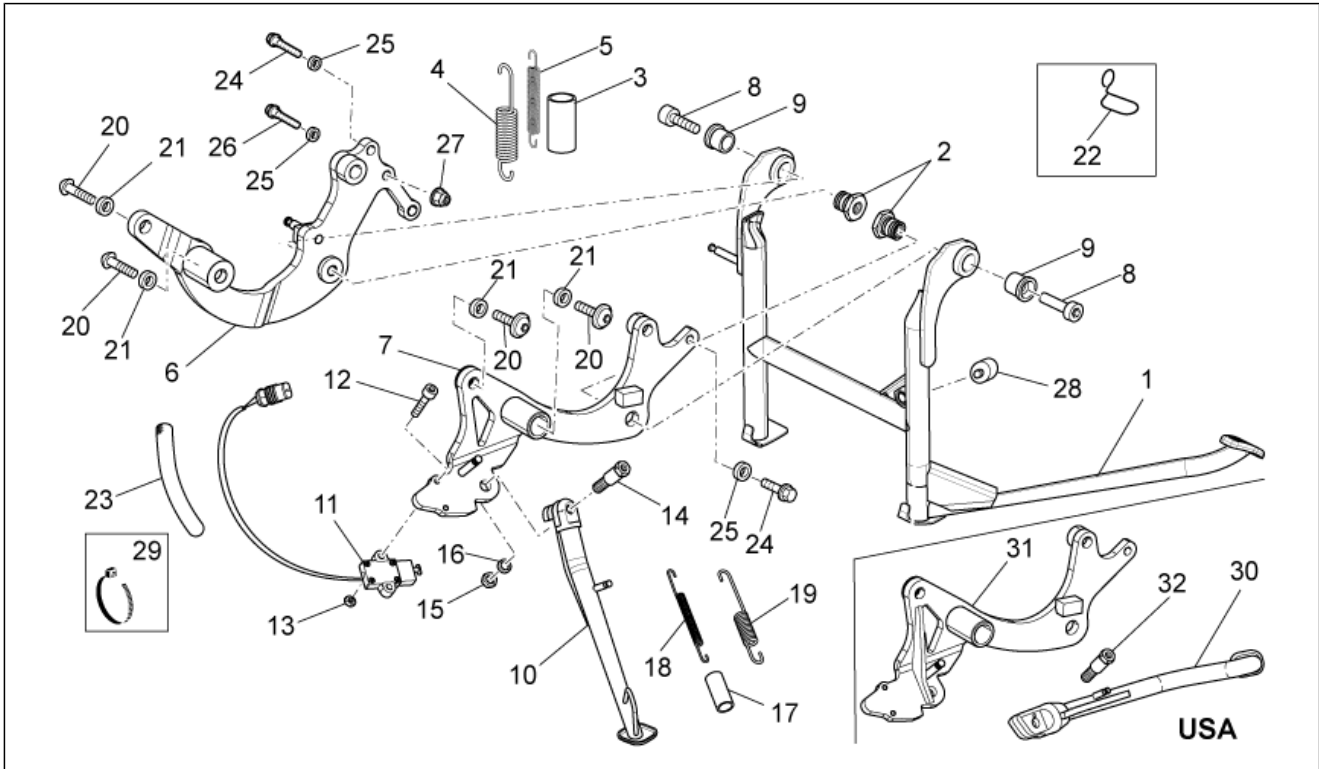
Group	FRAME
Code	33.02
Description	Frame II
Service	1



Pos.	Code	Description	Qty	Variants
1	886646	Front frame	1	
2	GU98680440	Hex socket screw M8x40	2	
3	AP8152300	Self-locking nut M8	2	
4	AP8152279	Screw w/ flange M6x20	2	
5	GU95100141	Washer 6,4x12x1,2	2	
6	GU28576592	Nut with clip M6	2	



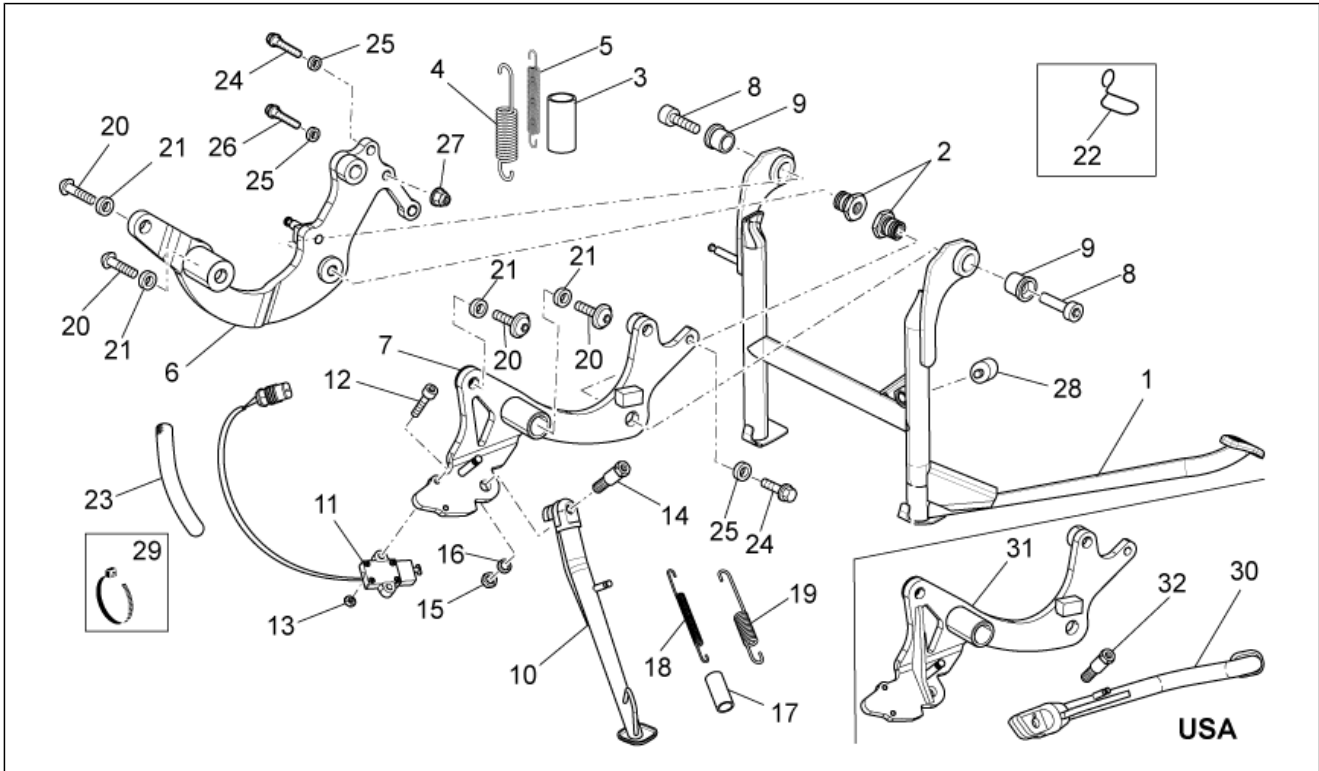
Group	FRAME
Code	33.03
Description	Stands
Service	1



Pos.	Code	Description	Qty	Variants
1	883656	Central stand	1	
2	AP8121467	Maintenance	2	
3	AP8178918	Stand spring protection	1	
4	AP8221317	Lateral stand spring	1	
5	AP8221318	Internal lateral stand spring	1	
6	883664	RH plate	1	
7	978002	LH plate	1	
8	GU98682530	Hex socket screw M10x30	2	
9	GU05429630	Bush	2	
10	886326	Lateral stand	1	
11	639542	Button for the side stand	1	
12	GU98612216	Hex socket screw	2	
13	GU95020105	Washer 5,3x8,9x2,4	2	
14	AP8121994	Central stand fixing screw	1	
15	AP8152001	Low nut M10x1,25	1	
16	AP8150292	Curved spring washer *	1	
17	AP8102524	Stand spring protection	1	
18	AP8221204	Lateral stand spring	1	
19	AP8221211	Internal lateral stand spring	1	
20	GU98231235	Hex socket screw M12x35	4	
21	GU30217900	Washer 13x18x1,7	2	
22	AP8120428	Cable-guide	1	
23	GU00823923140	Thermal sheath	1	
24	AP8152287	Screw w/ flange M8x25	1	
25	GU14615901	Washer 8,4X13X0,8	2	
26	GU97202435	screw	1	
27	AP8152300	Self-locking nut M8	1	
28	GU93242015	Pad	1	

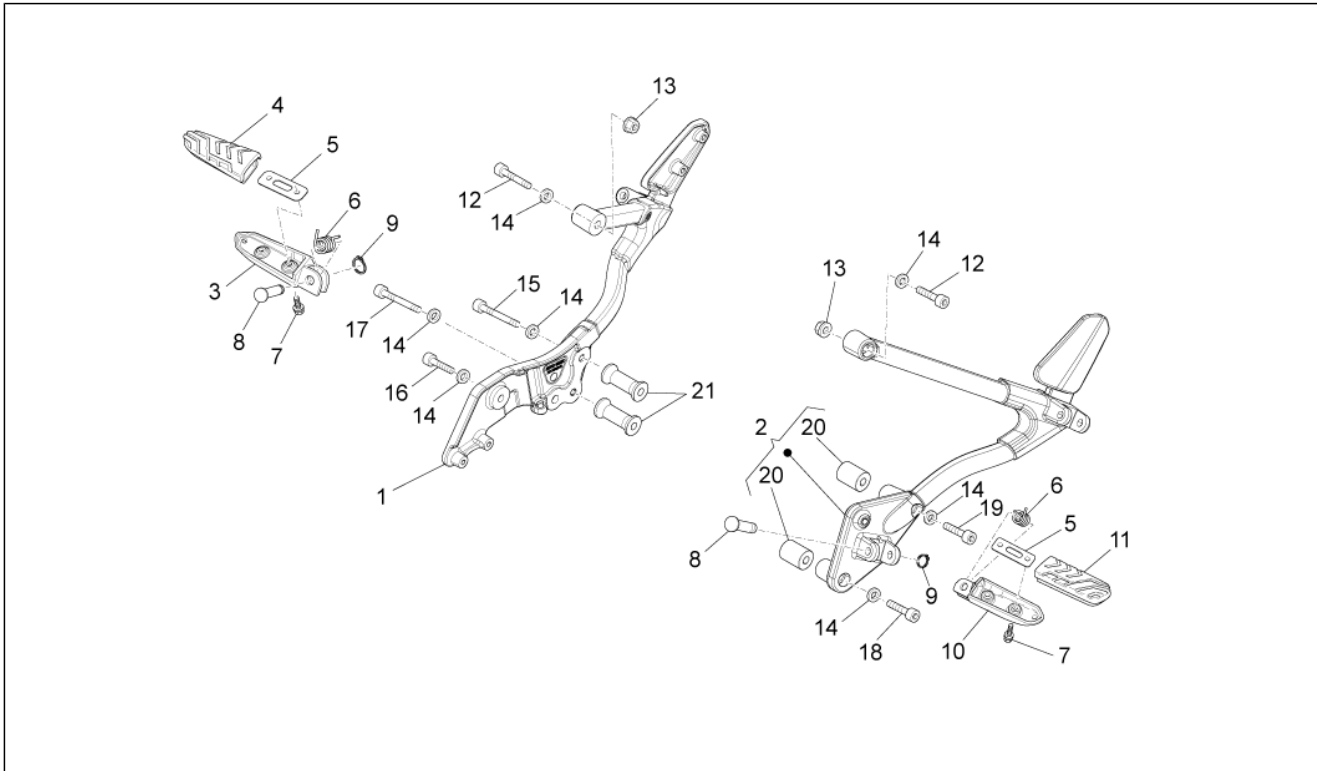


Group	FRAME
Code	33.03
Description	Stands
Service	1



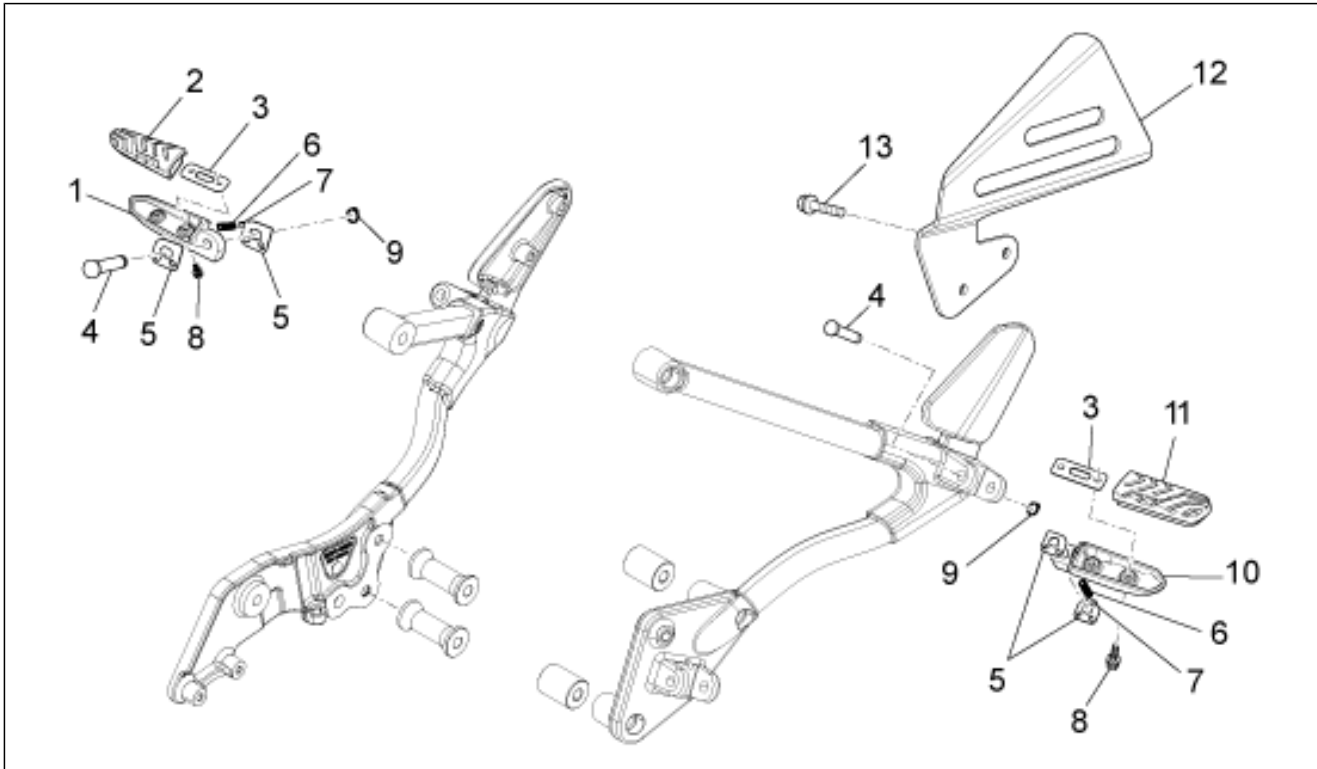
Pos.	Code	Description	Qty	Variants
29	GU14609650	Hose clamp 3,6x20,6	2	
30	883208	Lateral stand	1	Country:Canadian[CA], United States of America[USA]
31	883413	LH plate	1	Country:Canadian[CA], United States of America[USA]
32	AP8121607	Central stand fixing screw	1	Country:Canadian[CA], United States of America[USA]

Group	FRAME
Code	33.04
Description	Front footrests
Service	1



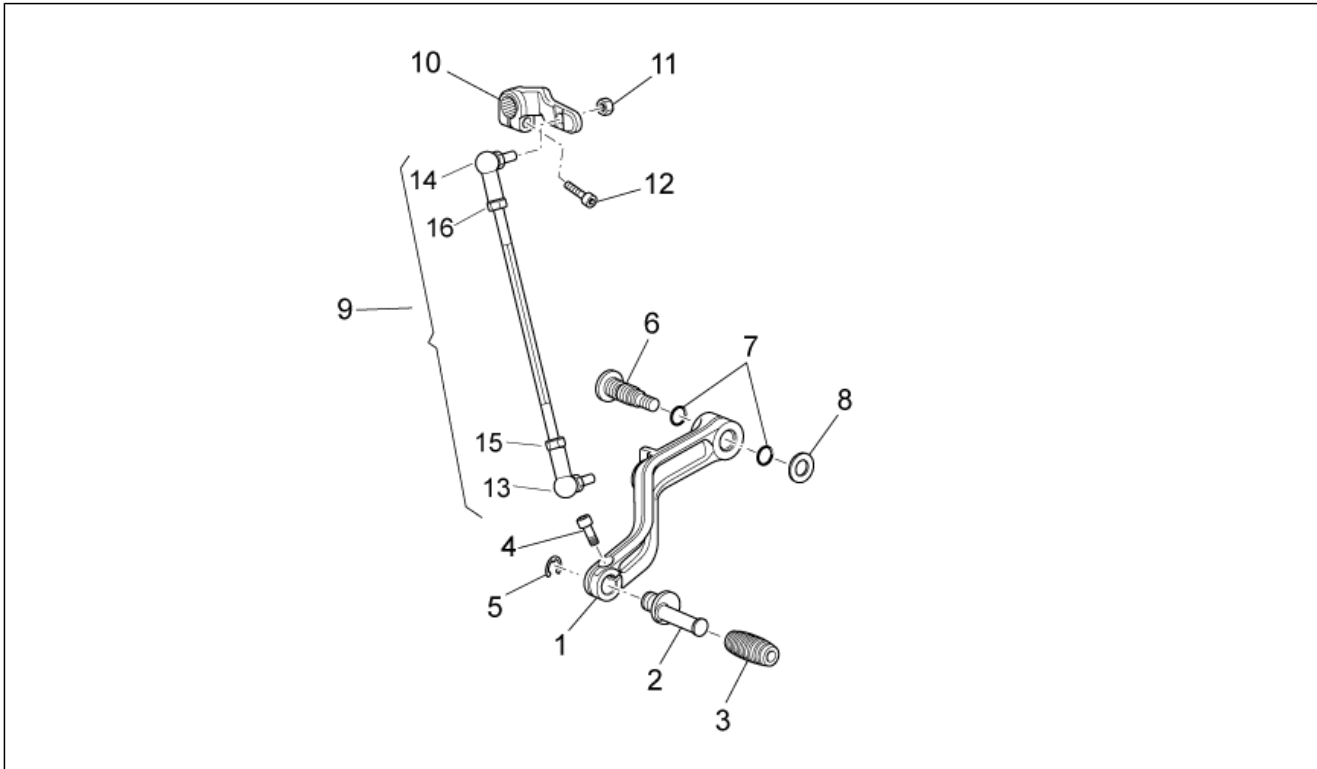
Pos.	Code	Description	Qty	Variants
1	886987	RH foot rest support	1	
2	883103	LH footrest support	1	
3	886184	RH Foot rests	1	
4	AP8120831	Footrest rubber	1	
5	AP8134276	Plate	1	
6	AP8221277	Footrest return spring	2	
7	AP8152277	Screw w/ flange M6x12	4	
8	AP8121567	Pin	2	
9	AP8152409	Stop ring	2	
10	886185	LH Foot rests	1	
11	AP8120831	Footrest rubber	1	
12	GU98680435	Hex socket screw M8x35	2	
13	AP8152300	Self-locking nut M8	2	
14	GU14615901	Washer 8,4X13X0,8	7	
15	GU98680480	screw	1	
16	GU98682425	Hex socket screw M8x25	1	
17	GU98680465	screw	1	
18	GU98680460	Hex socket screw M8x60	1	
19	GU98620485	screw	1	
20	883107	Spacer	2	
21	886933	Spacer	2	

Group	FRAME
Code	33.05
Description	Rear footrests
Service	1



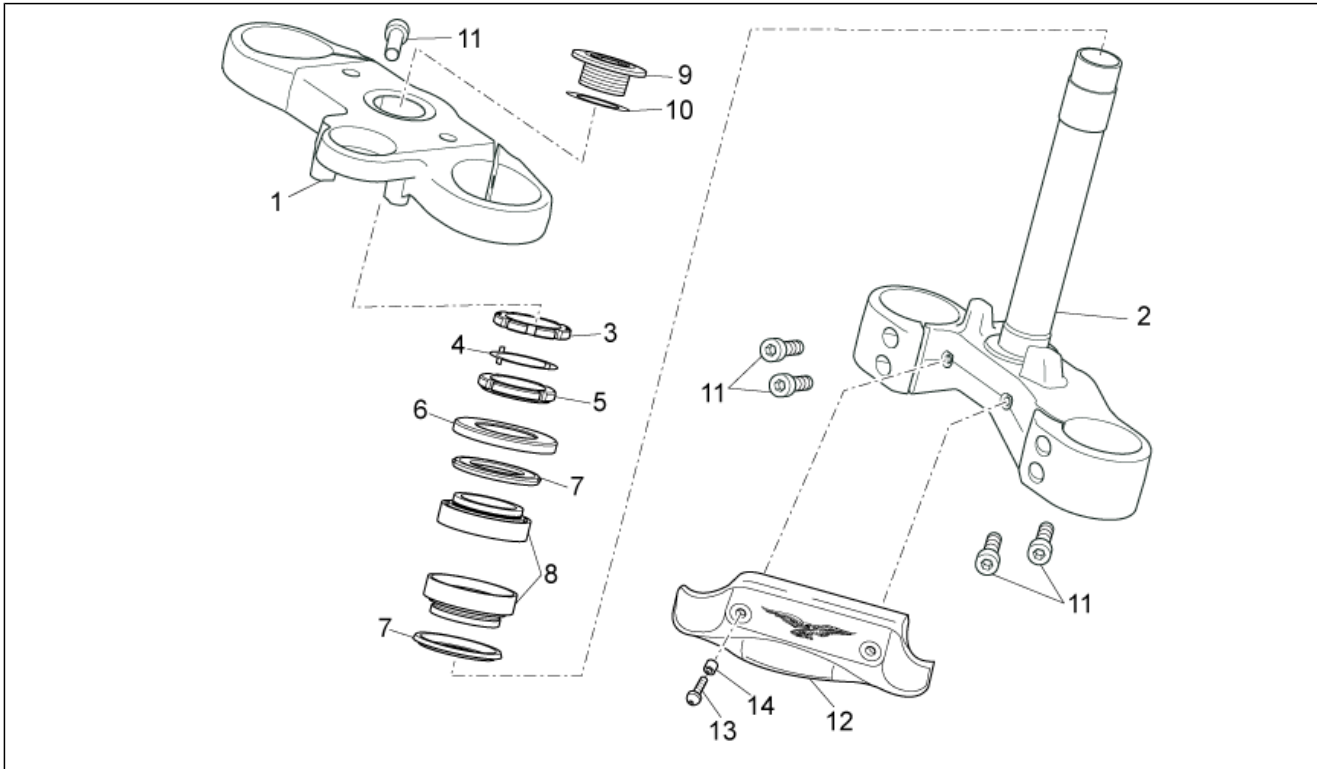
Pos.	Code	Description	Qty	Variants
1	GU32442310	Rear footrest, RH	1	
2	GU32443210	Support rubber part	1	
3	GU32441210	Plate	2	
4	AP8121567	Pin	2	
5	AP8134451	Footrest plate	4	
6	AP8121133	Coil compress. spring	2	
7	AP8101861	Ball D6,35	2	
8	AP8152277	Screw w/ flange M6x12	4	
9	AP8152409	Stop ring	2	
10	GU32442710	Rear footrest, LH	1	
11	GU32443211	Support rubber part	1	
12	898169	LH rear footrest guard	1	
13	AP8152277	Screw w/ flange M6x12	2	

Group	FRAME
Code	33.06
Description	Gear lever
Service	1



Pos.	Code	Description	Qty	Variants
1	GU06250900	Gear lever	1	
2	AP8121221	Brake lever pin	1	
3	AP8120912	Lever rubber	1	
4	GU98682316	Hex socket screw M6x16	1	
5	AP8150462	Circlip d9	1	
6	AP8121223	Rear brake lever pin	1	
7	AP8144007	O-ring 11,11x1,78	2	
8	GU95008210	Washer 10,2X18X2	1	
9	883044	Change gear tie rod compl.	1	
10	GU05256930	Lever	1	
11	GU92630707	Nut	2	
12	GU98682320	Hex socket screw M6x20	1	
13	GU32258110	Ball joint	1	
14	GU32258010	Ball joint	1	
15	GU92609206	Nut M6	1	
16	GU03256800	Nut M6	1	

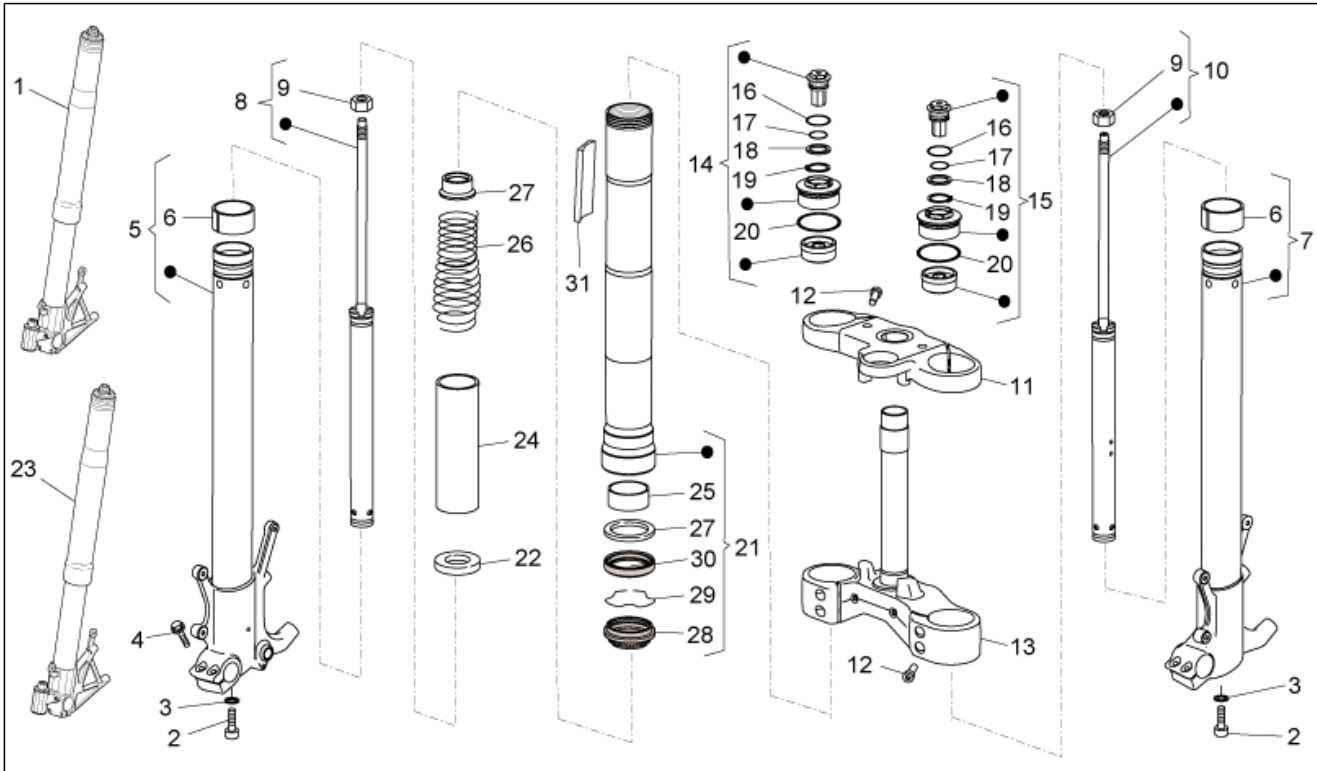
Group	FRAME
Code	33.07
Description	Steering
Service	1



Pos.	Code	Description	Qty	Variants
1	886199	Fork upper plate D45	1	
2	886202	Stem base D45	1	
3	AP8123643	Return ring nut	1	
4	AP8121207	Steering security plate	1	
5	AP8123642	Ring nut	1	
6	AP8123644	Dust cover ring	1	
7	AP8123641	Dust cover ring	2	
8	AP8110077	Axial ball bearing	2	
9	AP8121205	Upper plate fixing bush	1	
10	AP8152384	Stem plug washer	1	
11	GU98682430	Hex socket screw M8x30	6	
12	GU05658431	Brake hose fixing plate	1	
13	AP8152298	Screw w/ flange M5x16	2	
14	AP8221036	Bushing 5,3x8x7,1	2	

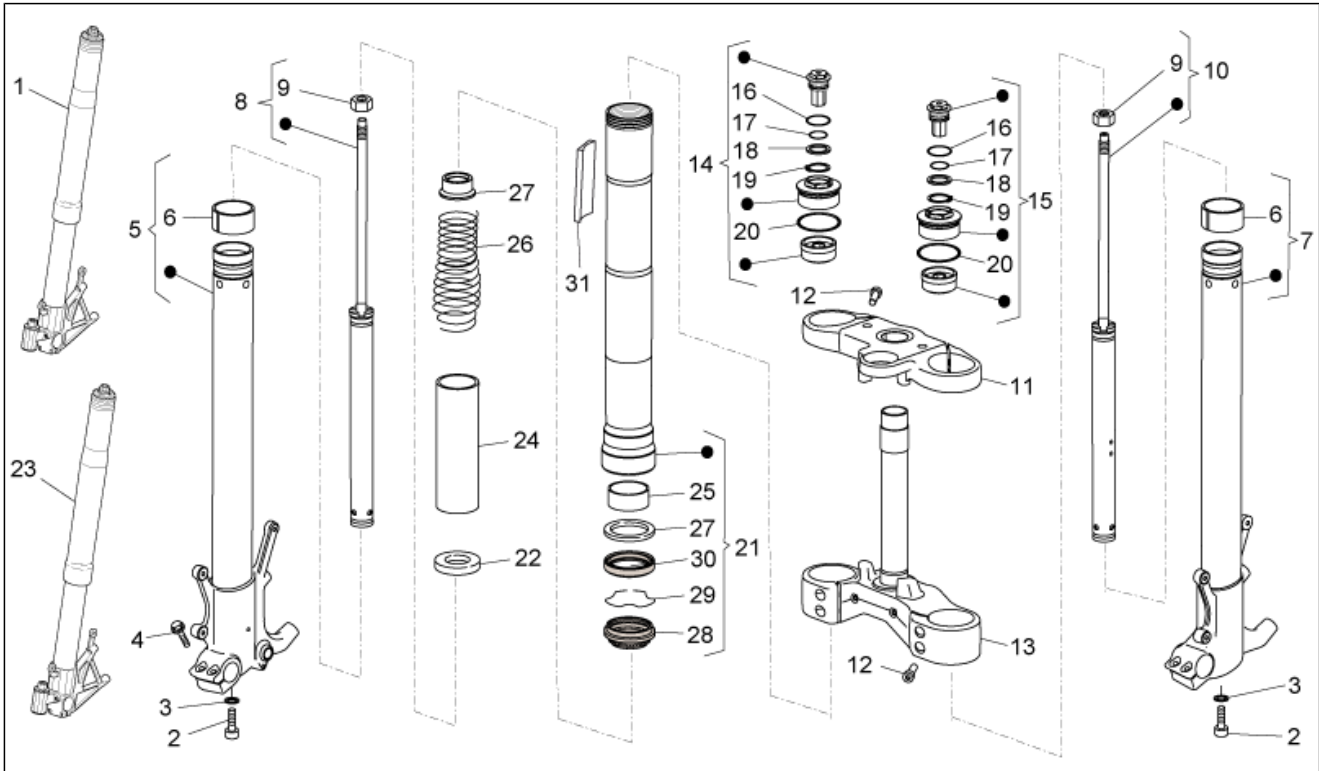


Group	FRAME
Code	33.08
Description	Front fork
Service	1



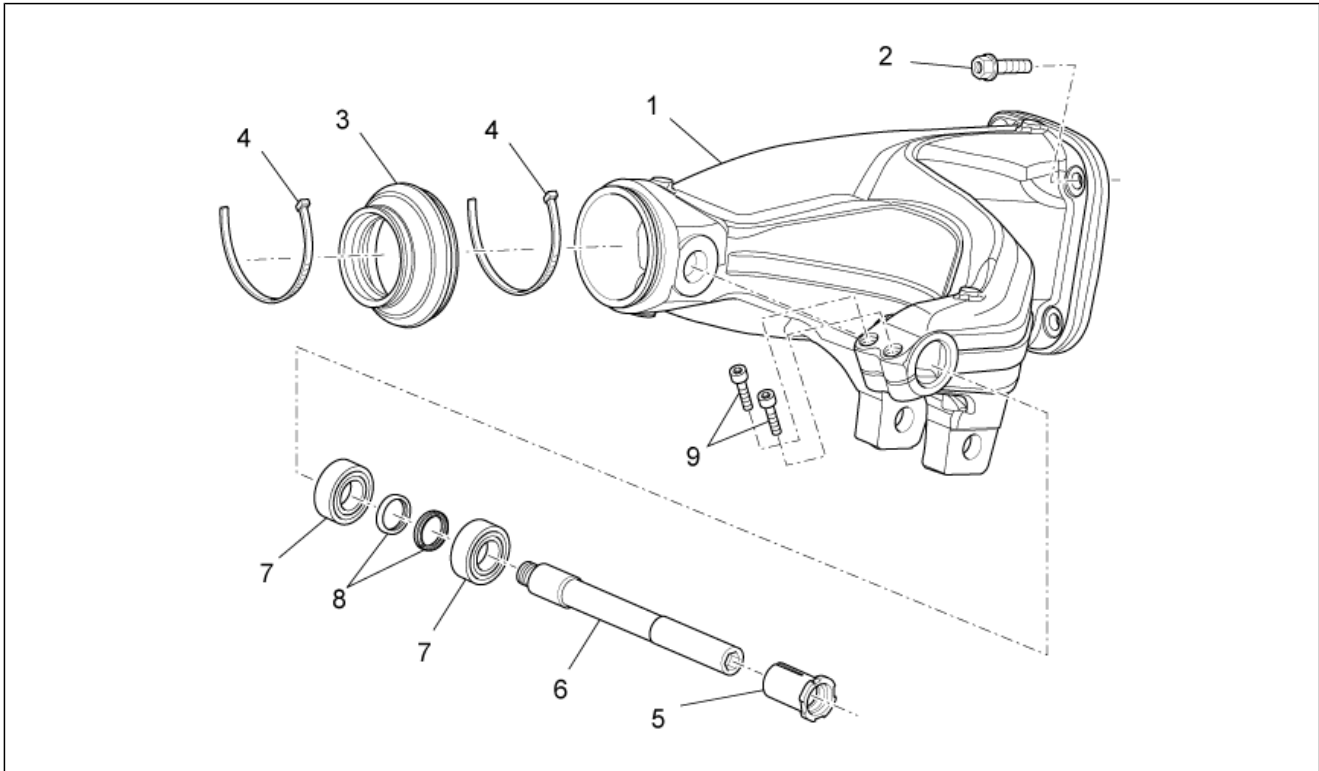
Pos.	Code	Description	Qty	Variants
1	886191	R.H. sleeve assy D45	1	Technical specification: 1A Serie con targhetta identificativa y1311164>A[F1A]
1	887091	R.H. sleeve assy D45	1	Technical specification: 2A Serie con targhetta identificativa y1311164>B[F2A]
2	GU01530588	screw	2	
3	AP8123206	Seal washer	2	
4	AP8150220	Hex socket screw M6x30	4	
5	886315	Hub+RH fork leg	1	
6	AP9100856	Lower bush 45x20	2	
7	886317	Hub+LH fork leg	1	
8	886319	RH plunger, complete	1	Technical specification: 1A Serie con targhetta identificativa y1311164>A[F1A]
8	887319	RH plunger, complete	1	Technical specification: 2A Serie con targhetta identificativa y1311164>B[F2A]
9	886321	Nut	2	
10	886320	LH plunger, complete	1	Technical specification: 1A Serie con targhetta identificativa y1311164>A[F1A]
10	887320	LH plunger, complete	1	Technical specification: 2A Serie con targhetta identificativa y1311164>B[F2A]
11	886199	Fork upper plate D45	1	
12	GU98682430	Hex socket screw M8x30	6	
13	886202	Stem base D45	1	
14	886324	RH sleeve plug	1	
15	886316	LH sleeve plug	1	
16	981024	O-ring	2	
17	981025	O-ring	2	
18	981026	Washer	2	
19	981027	Stop ring	2	
20	886318	O-ring	2	

Group	FRAME
Code	33.08
Description	Front fork
Service	1



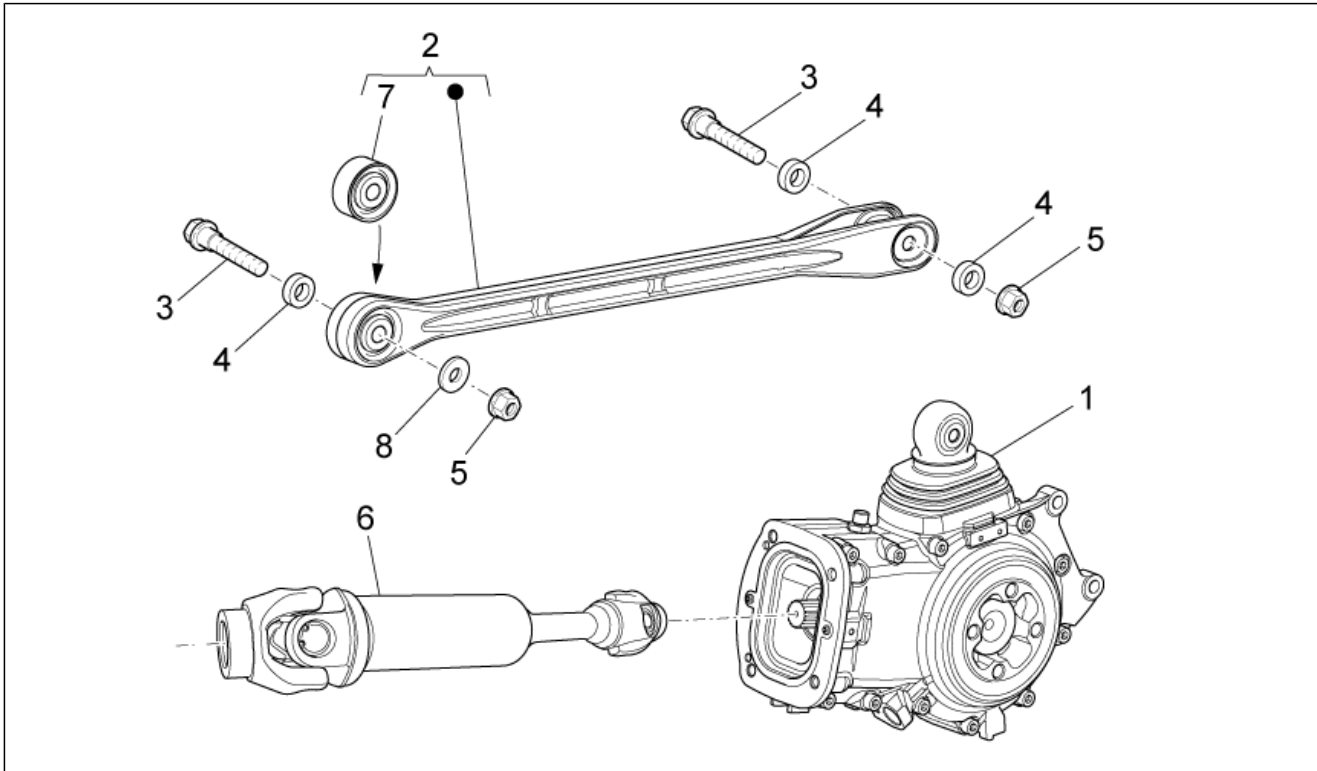
Pos.	Code	Description	Qty	Variants
21	886323	Sleeve cpl.	2	
22	981033	Spring seat	2	
23	886192	L.H. sleeve assy D45	1	Technical specification: 1A Serie con targhetta identificativa y1311164>A[F1A]
23	887092	L.H. sleeve assy D45	1	Technical specification: 2A Serie con targhetta identificativa y1311164>B[F2A]
24	AP8161254	Preload tube	2	
25	AP9100855	Upper bush 45x15	2	
26	886322	Spring	2	
27	AP8163094	Cup 58x46x3	2	
28	AP8163097	Dust cover D.45	2	
29	AP8163096	Stop ring D.63	2	
30	AP8163095	Gasket ring 45x58x11	2	
31	GU05781630	Reflector, amber	2	Country: Canadian[CA], United States of America[USA]

Group	FRAME
Code	33.09
Description	Swing arm
Service	1



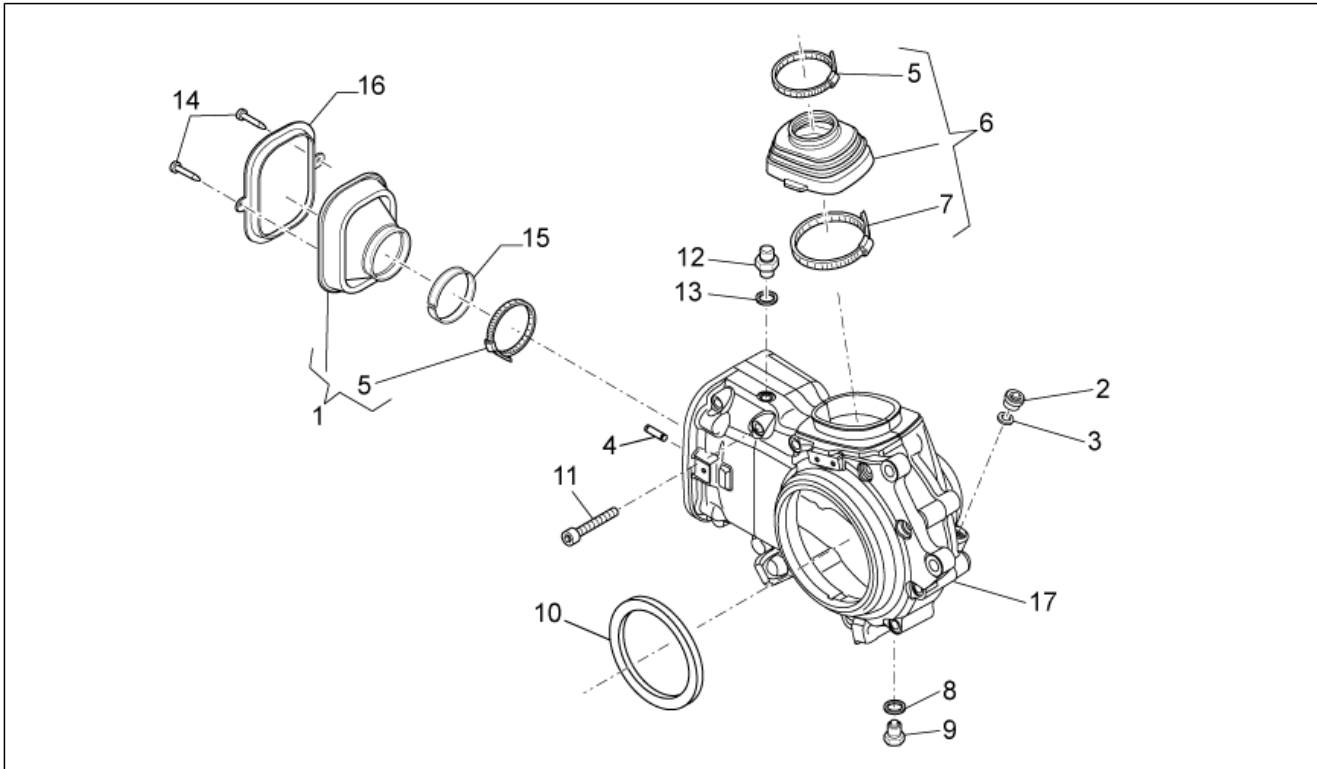
Pos.	Code	Description	Qty	Variants
1	978350	Swing arm, black	1	
2	AP8152318	Screw w/ flange M10x35	4	
3	883966	Rubber bellows	1	
4	GU93304390	Hose clamp 3,6x375	2	
5	GU05547130	Bush	1	
6	GU05547030	Pin	1	
7	GU92249224	Roller bearing 25x47x17	2	
8	GU05547930	Gasket ring	2	
9	GU98682325	Hex socket screw M6x25	2	

Group	FRAME
Code	33.10
Description	Transmission complete
Service	1



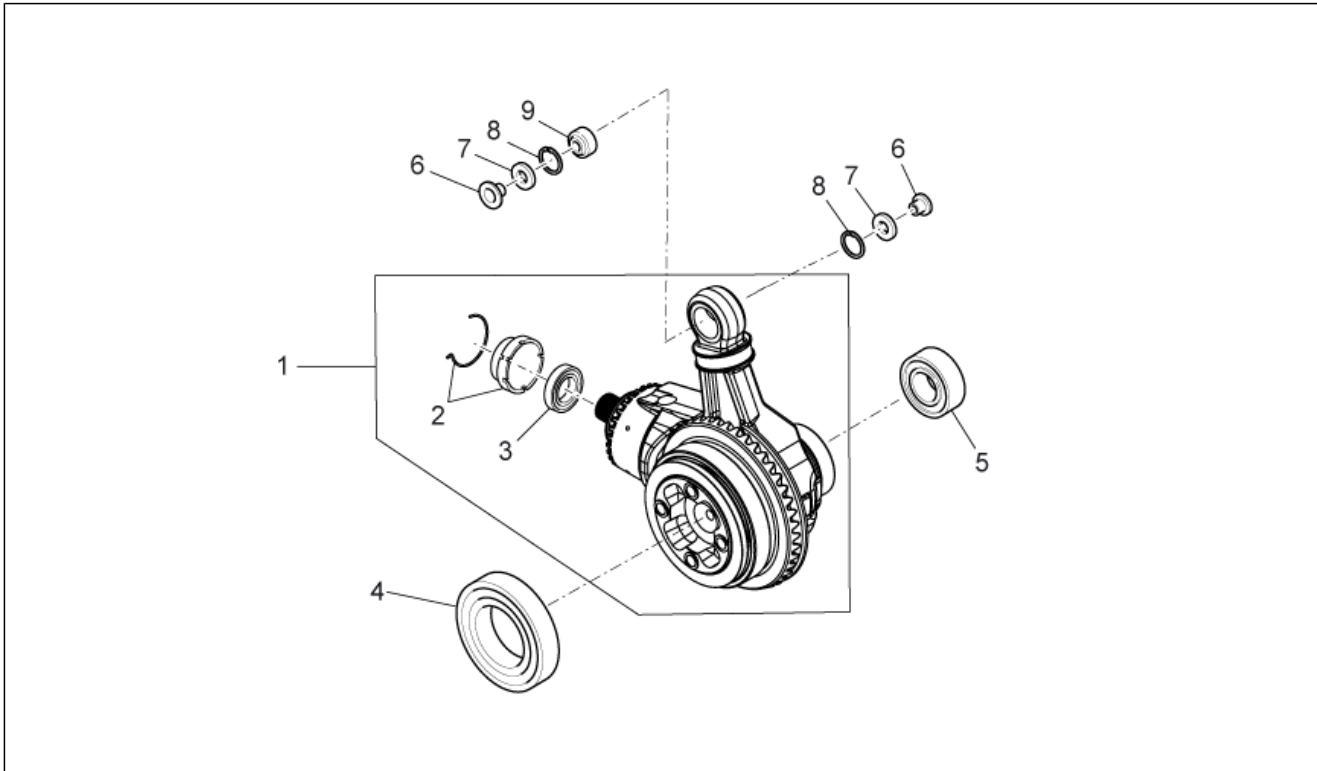
Pos.	Code	Description	Qty	Variants
1	976570	Transmission complete black	1	
2	883046	Reaction rod assy.	1	
3	AP8152410	Screw w/ flange M10x55	2	
4	AP8121218	Spacer 10,2x20x4	3	
5	AP8152242	Nut	2	
6	GU05326330	Drive shaft	1	
7	883045	Silent-block	1	
8	GU14018400	Washer 10,5X21X1	1	

Group	FRAME
Code	33.11
Description	Trans.cpl.-Cage
Service	1



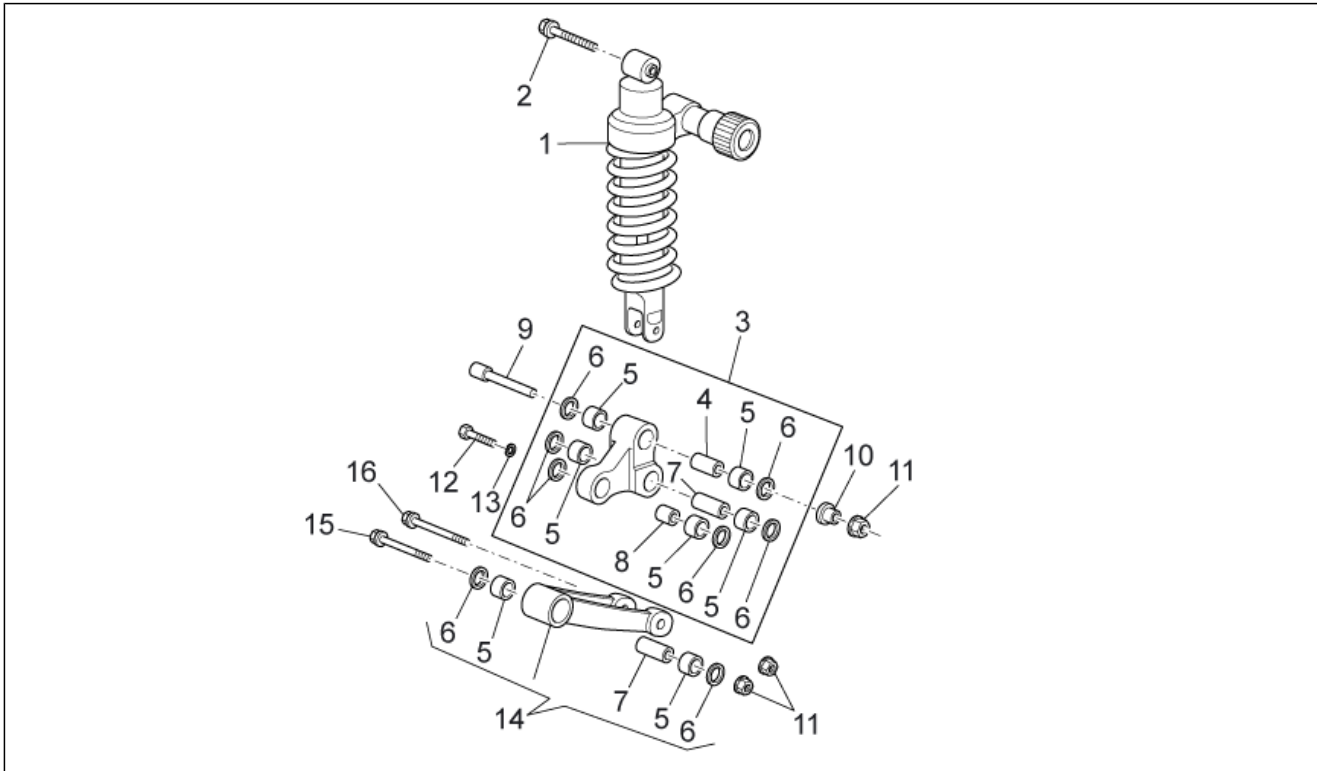
Pos.	Code	Description	Qty	Variants
1	GU05358330	Upper dust cover	1	
2	GU05351230	Oil plug M12x1,5	1	
3	GU90718120	Washer	1	
4	GU95510620	Pin 6x20	2	
5	GU05358130	Hose clamp	2	
6	GU05358030	Upper dust cover	1	
7	GU05358230	Hose clamp	1	
8	GU01528930	Gasket 10x18x1,5	1	
9	GU31003766	Oil unload plug M10x1	1	
10	GU90408511	Gasket ring 85x110x8BASL	1	
11	GU98680450	Hex socket screw M8x50	11	
12	GU05206530	Breather plug	1	
13	GU10528900	Gasket	1	
14	GU99210406	screw M3,9x6,5	2	
15	GU05358530	Ring	1	
16	GU05358630	Gasket	1	
17	978392	Transmission housingblack	1	

Group	FRAME
Code	33.12
Description	Trans.cpl.-Bevel gear
Service	1



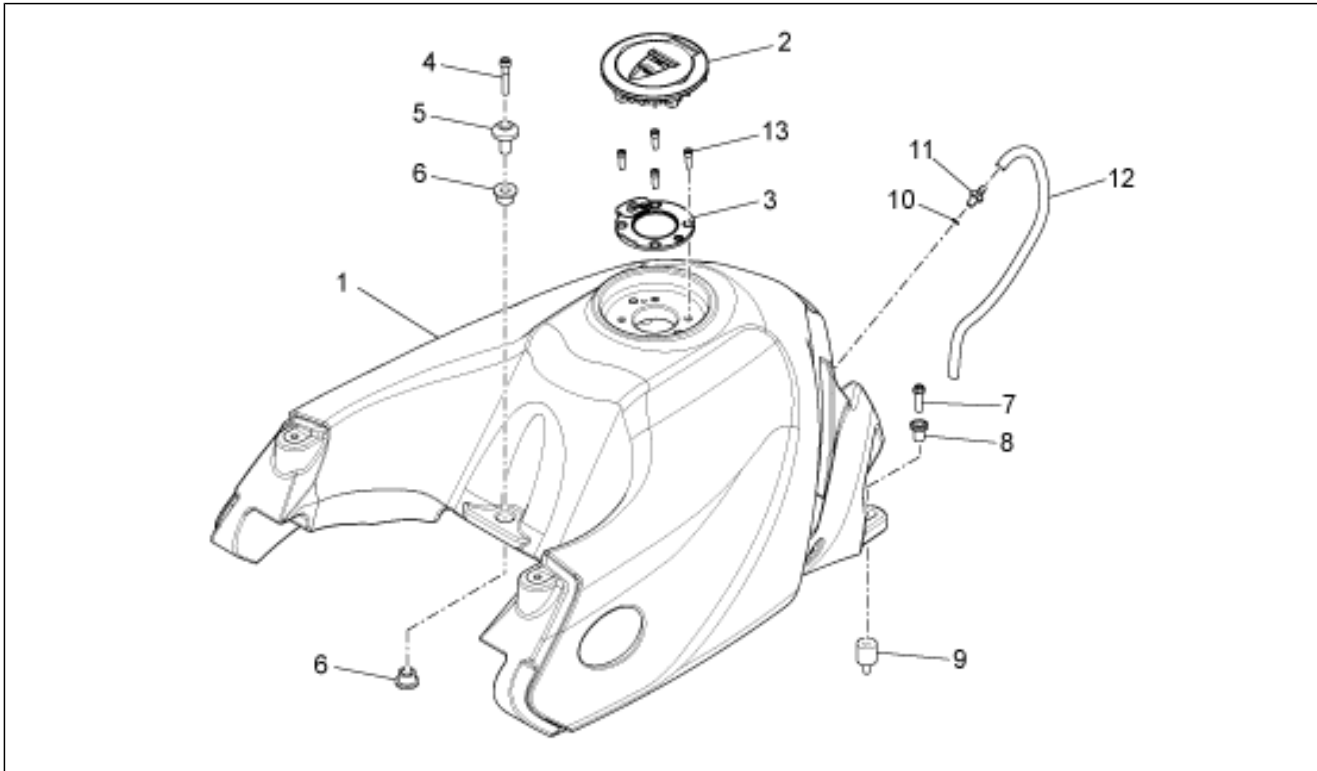
Pos.	Code	Description	Qty	Variants
1	976581	Bevel gear kit 12/44	1	
2	GU05352430	Ring nut	1	
3	GU90404558	Gasket ring 45x58x7	1	
4	GU92208518	Ball bearing 85x120x18	1	
5	GU92204230	Ball bearing 30x62x16	1	
6	AP8121098	Bush	2	
7	AP8120485	Gasket ring	2	
8	GU90273026	Circlip	2	
9	GU05638130	Ball joint	1	

Group	FRAME
Code	33.13
Description	Connecting rod - rear shock abs.
Service	1



Pos.	Code	Description	Qty	Variants
1	886201	Rear shock absorber	1	
2	018622	screw	1	
3	GU05560330	Double conrod	1	
4	AP8135924	Double connecting rod pin L40	1	
5	AP8110066	Cage à rouleaux	7	
6	AP8110068	Oil seal D18x24x3	8	
7	GU05562030	Double connecting rod pin L47	2	
8	AP8135608	Double connecting rod pin L25	1	
9	AP8152397	Hex socket screw M10x82	1	
10	AP8121155	T bush *	1	
11	AP8152301	Self-locking nut	3	
12	AP8152147	Hex screw M10x47	1	
13	AP8150292	Curved spring washer *	1	
14	GU05562430	Single conrod comp.	1	
15	AP8152482	Screw w/ flange M10x85	1	
16	AP8152396	Screw w/ flange M10x95	1	

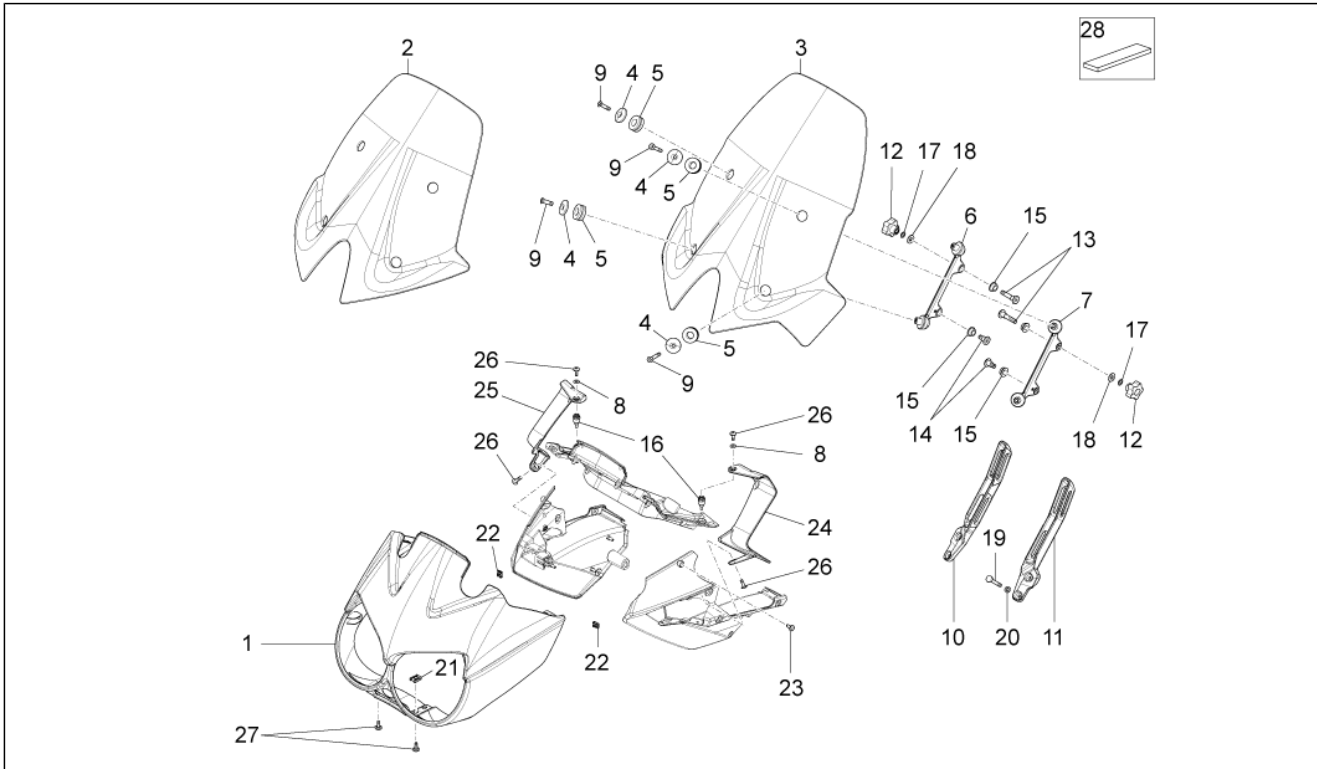
Group	FRAME
Code	33.14
Description	Fuel tank
Service	1



Pos.	Code	Description	Qty	Variants
1	897635	Serbatoio benz. grezzo	1	
1	89763500BM	Fuel tank, white	1	Vehicle colour: Bianco diamante (s.t.886900)[whd] Technical specification: Standard Version[Std]
1	89763500NI	Fuel tank, black	1	Vehicle colour: Nero competition (s.t.886899)[blc] Technical specification: NTX version[NTX]
1	89763500XV6	Fuel tank, green	1	Vehicle colour: Verde Raptor Opaco (s.t.B063041)[green] Technical specification: NTX version[NTX]
1	89763500Y02	Fuel tank, black	1	Vehicle colour: Nero Guzzi (s.t.886901)[blg] Technical specification: Standard Version[Std]
1	89763500YA2	Fuel tank, orange	1	Vehicle colour: Arancio rame (s.t.886902)[ar] Country: United States of America[USA] Technical specification: NTX version[NTX], Standard Version[Std]
2	GU05103930	Tank cap	1	
3	AP8104803	Fuel filler cap gasket	1	
4	AP8150285	Hex socket screw M6x35	1	
5	886828	Bush Fixing	1	
6	AP8101372	Silent-block	2	
7	AP8152280	Screw w/ flange M6x25	2	
8	AP8124421	Terminal	2	
9	887095	Silent-block	2	
10	AP8120965	O-ring 2018	2	
11	AP8102503	Hose holder union	2	
12	AP8220263	Breather pipe 4x8	5	
13	B043864	Hex socket screw M5x14	4	

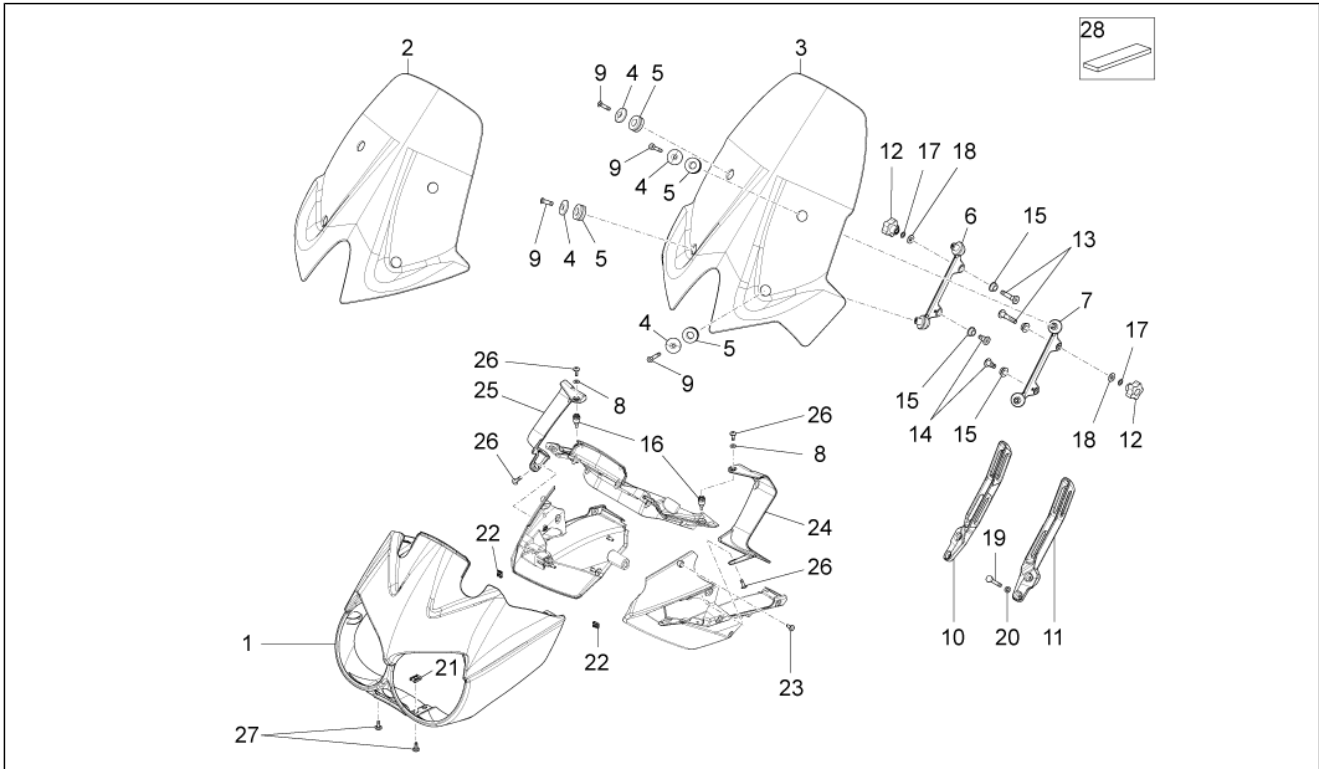


Group	FRAME
Code	33.15
Description	Front body - Front fairing
Service	1



Pos.	Code	Description	Qty	Variants
1	897641	Headlight windshield blank	1	
1	89764100NI	Front fairing, black	1	Vehicle colour: Arancio rame (s.t.886902)[ar], Nero Guzzi (s.t.886901)[blg], Verde Raptor Opaco (s.t.B063041)[green], Bianco diamante (s.t.886900)[whd] Country: United States of America[USA] Technical specification: NTX version[NTX], Standard Version[Std]
1	89764100Y11	Windshield, grey	1	Vehicle colour: Nero competition (s.t.886899)[blc] Technical specification: NTX version[NTX]
2	887174	Windscreen	1	Technical specification: Standard Version[Std]
3	887134	Windscreen	1	Technical specification: NTX version[NTX]
3	887328	Windscreen	1	Country: Australia[AUS], Canadian[CA], United States of America[USA] Technical specification: NTX version[NTX]
4	269787	Special washer nero	4	
5	560173	Rubber spacer	4	
6	886195	RH support	1	
7	886196	LH support	1	
8	AP8120622	Front dust cover ring	2	
9	GU98257618	Screw M6x18	4	
10	886197	RH clamp	1	
11	886198	LH clamp	1	
12	977681	Knob	2	
13	886078	Threaded pin	2	
14	886079	Threaded pin	2	
15	886236	T bush	4	
16	887033	Stud bolt	2	
17	GU14615901	Washer 8,4X13X0,8	2	
18	GU95005310	Washer 8,4x18x2	2	
19	AP8152278	Screw w/ flange M6x16	4	

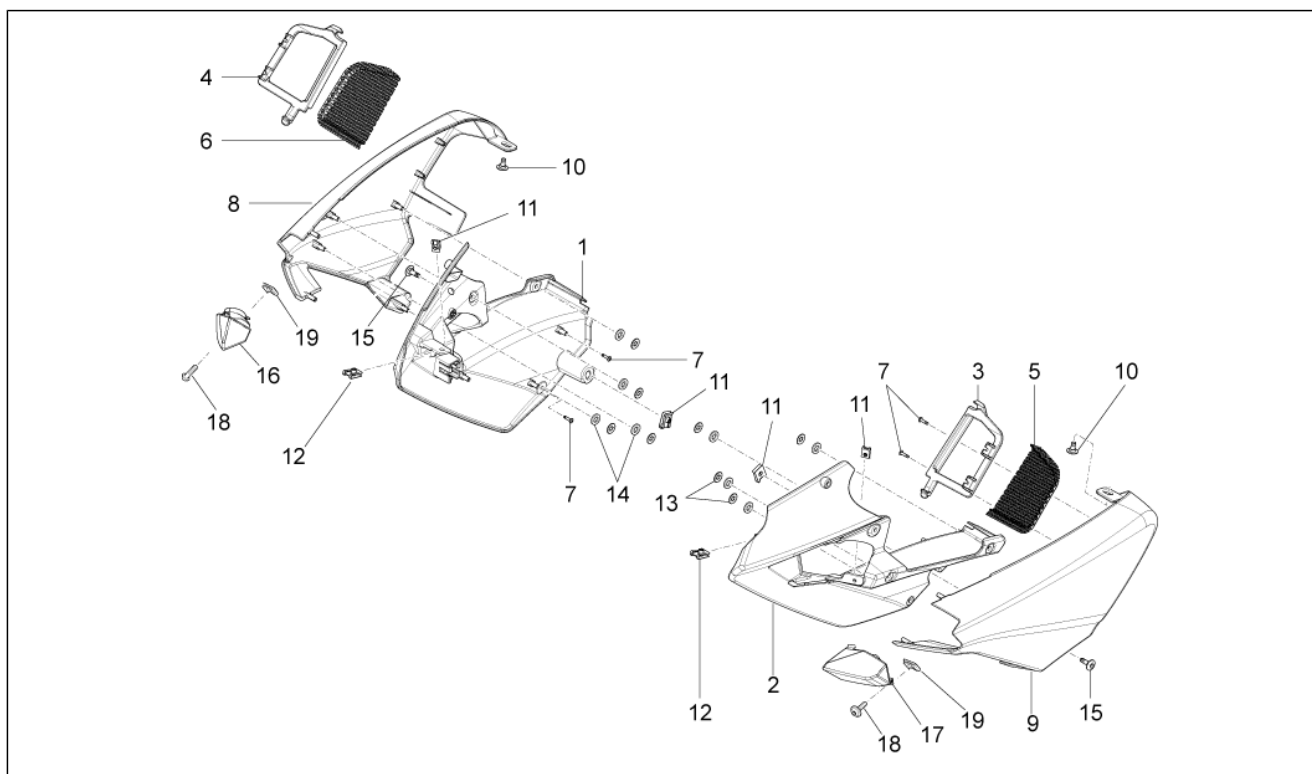
Group	FRAME
Code	33.15
Description	Front body - Front fairing
Service	1



Pos.	Code	Description	Qty	Variants
20	GU14217901	Washer 6,4x10x0,7	4	
21	248419	Spring plate m5	1	
22	AP8102381	Clip M4	2	
23	AP8120876	Plug	1	
24	887039	LH baffle	1	Technical specification:NTX version[NTX]
25	887040	RH baffle	1	Technical specification:NTX version[NTX]
26	976614	Screw M5X15	4	
27	AP8152302	Screw w/ flange M5x12	2	
28	AP8117003	Adhesive sponge 15X5	1	



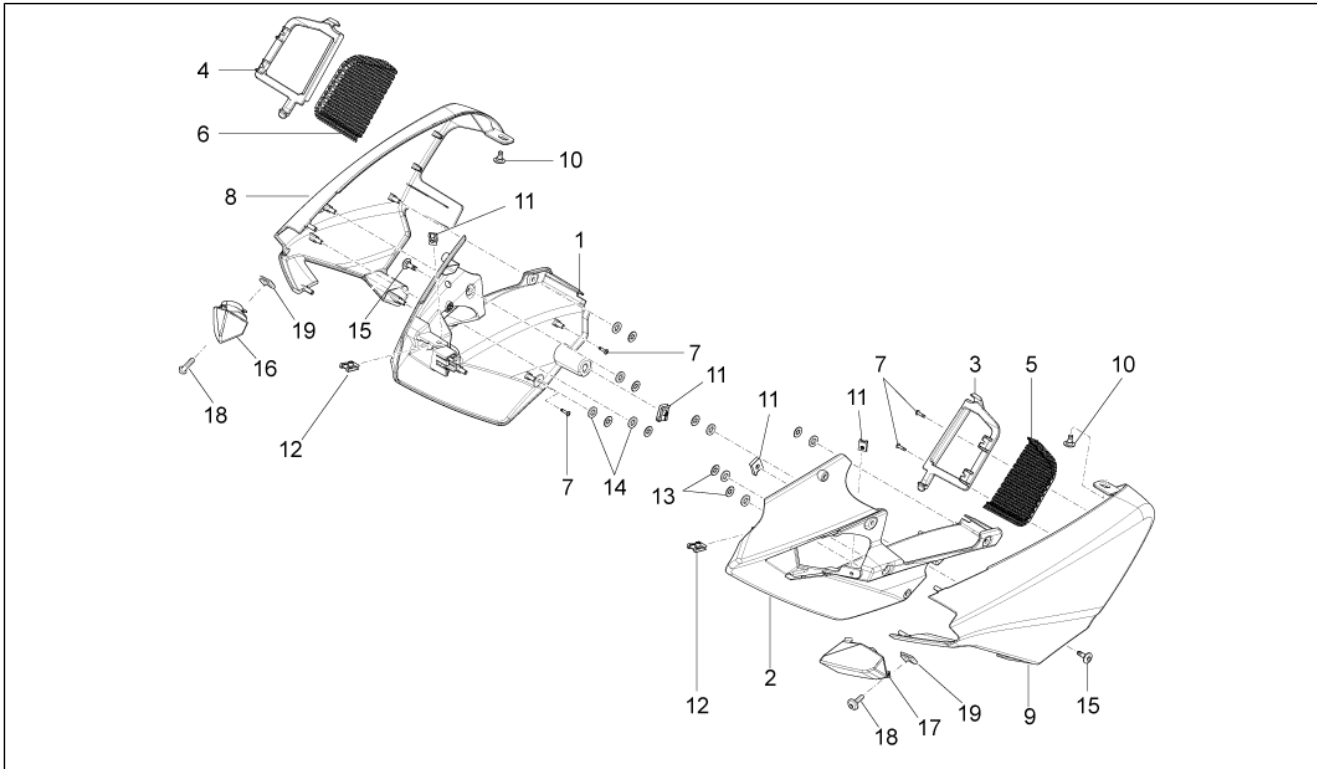
Group	FRAME
Code	33.16
Description	Front body - Duct
Service	1



Pos.	Code	Description	Qty	Variants
1	897637	RH side panel, blank	1	
1	89763700BM	RH side panel	1	Vehicle colour: Bianco diamante (s.t.886900)[whd] Technical specification: Standard Version[Std]
1	89763700NI	RH side panel, black	1	Vehicle colour: Arancio rame (s.t.886902)[ar], Verde Raptor Opaco (s.t.B063041)[green] Country: United States of America[USA] Technical specification: NTX version[NTX]
1	89763700Y02	RH side panel, black Guzzi	1	Vehicle colour: Nero Guzzi (s.t.886901)[blg] Technical specification: Standard Version[Std]
1	89763700Y11	RH side panel technogrey	1	Vehicle colour: Nero competition (s.t.886899)[blc] Technical specification: NTX version[NTX]
1	89763700YA2	RH side panel	1	Vehicle colour: Arancio rame (s.t.886902)[ar] Technical specification: Standard Version[Std]
2	897638	LH side panel, blank	1	
2	89763800BM	LH side panel	1	Vehicle colour: Bianco diamante (s.t.886900)[whd] Technical specification: Standard Version[Std]
2	89763800NI	LH side panel, black	1	Vehicle colour: Arancio rame (s.t.886902)[ar], Verde Raptor Opaco (s.t.B063041)[green] Country: United States of America[USA] Technical specification: NTX version[NTX]
2	89763800Y02	LH side panel, black Guzzi	1	Vehicle colour: Nero Guzzi (s.t.886901)[blg] Technical specification: Standard Version[Std]
2	89763800Y11	LH side panel technogrey	1	Vehicle colour: Nero competition (s.t.886899)[blc] Technical specification: NTX version[NTX]
2	89763800YA2	LH side panel	1	Vehicle colour: Arancio rame (s.t.886902)[ar] Technical specification: Standard Version[Std]
3	886821	Telaio griglia SX	1	
4	886822	Telaio griglia DX	1	
5	886823	Griglia convogliatore SX	1	
6	886824	Griglia convogliatore DX	1	
7	AP8150421	Self-tap screw 2,9x12	4	
8	897639	Convogliatore dx grezzo	1	

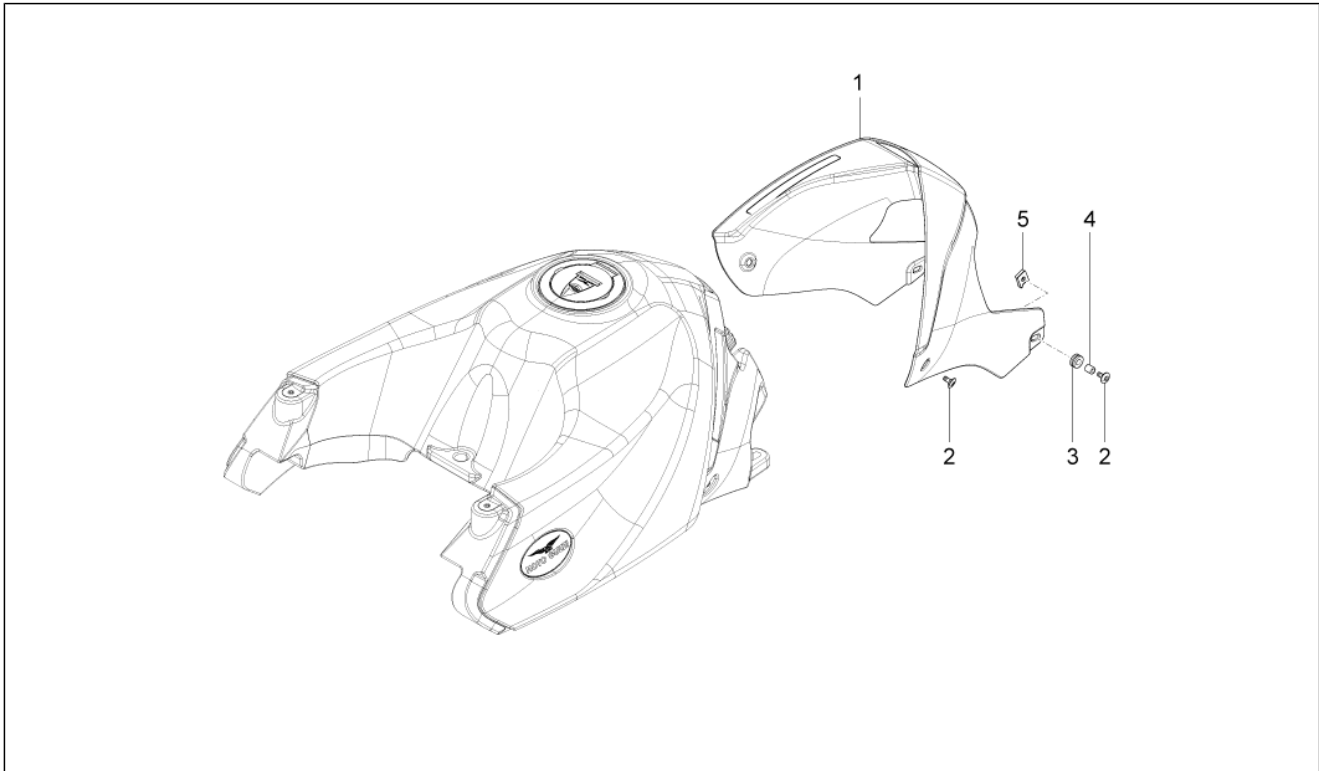


Group	FRAME
Code	33.16
Description	Front body - Duct
Service	1



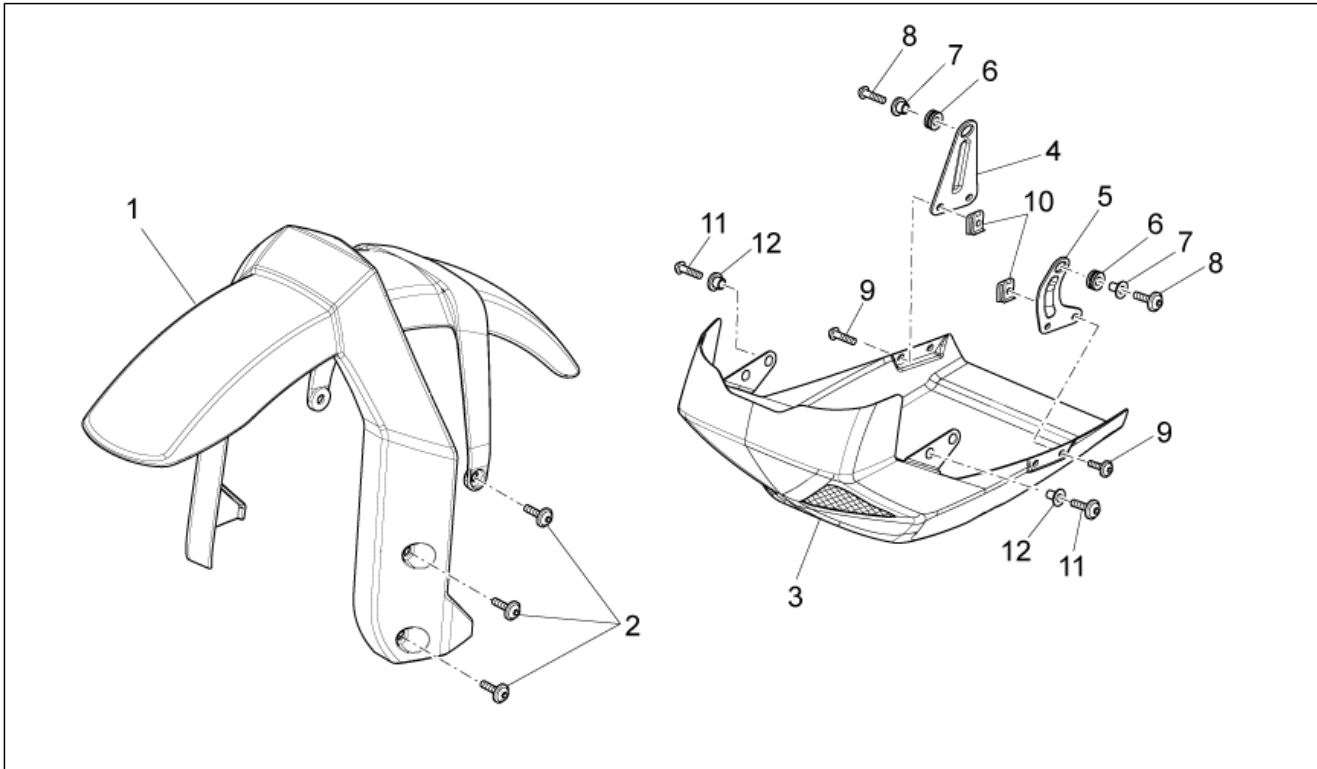
Pos.	Code	Description	Qty	Variants
8	89763900NI	RH air duct, black	1	Vehicle colour: Arancio rame (s.t.886902)[ar], Nero Guzzi (s.t.886901)[blg], Bianco diamante (s.t.886900)[whd] Technical specification: Standard Version[Std]
8	89763900NI	RH air duct, black	1	Vehicle colour: Arancio rame (s.t.886902)[ar], Verde Raptor Opaco (s.t.B063041)[green] Country: United States of America[USA] Technical specification: NTX version[NTX]
8	89763900Y11	RH air duct technogrey	1	Vehicle colour: Nero competition (s.t.886899)[blc] Technical specification: NTX version[NTX]
9	897640	Convogliatore sx grezzo	1	
9	89764000NI	LH air duct, black	1	Vehicle colour: Arancio rame (s.t.886902)[ar], Nero Guzzi (s.t.886901)[blg], Bianco diamante (s.t.886900)[whd] Technical specification: Standard Version[Std]
9	89764000NI	LH air duct, black	1	Vehicle colour: Arancio rame (s.t.886902)[ar], Verde Raptor Opaco (s.t.B063041)[green] Country: United States of America[USA] Technical specification: NTX version[NTX]
9	89764000Y11	LH air duct technogrey	1	Vehicle colour: Nero competition (s.t.886899)[blc] Technical specification: NTX version[NTX]
10	AP8152339	Screw w/ flange M5x9	1	
11	248419	Spring plate m5	4	
12	AP8102381	Clip M4	2	
13	AP8150450	Washer for shafts D5	8	
14	AP8144065	Rubber spacer	8	
15	AP8152302	Screw w/ flange M5x12	2	
16	88346700NI	Tappo dx nero	1	Country: Canadian[CA], United States of America[USA]
16	88346700Y11	Tappo dx grigio	1	Country: Canadian[CA], United States of America[USA]
17	88346800NI	Tappo sx nero	1	Country: Canadian[CA], United States of America[USA]
17	88346800Y11	Tappo sx grigio	1	Country: Canadian[CA], United States of America[USA]
18	GU98370412	Hex socket screw M4x12	2	Country: Canadian[CA], United States of America[USA]
19	AP8102381	Clip M4	2	Country: Canadian[CA], United States of America[USA]

Group	FRAME
Code	33.17
Description	Central body
Service	1



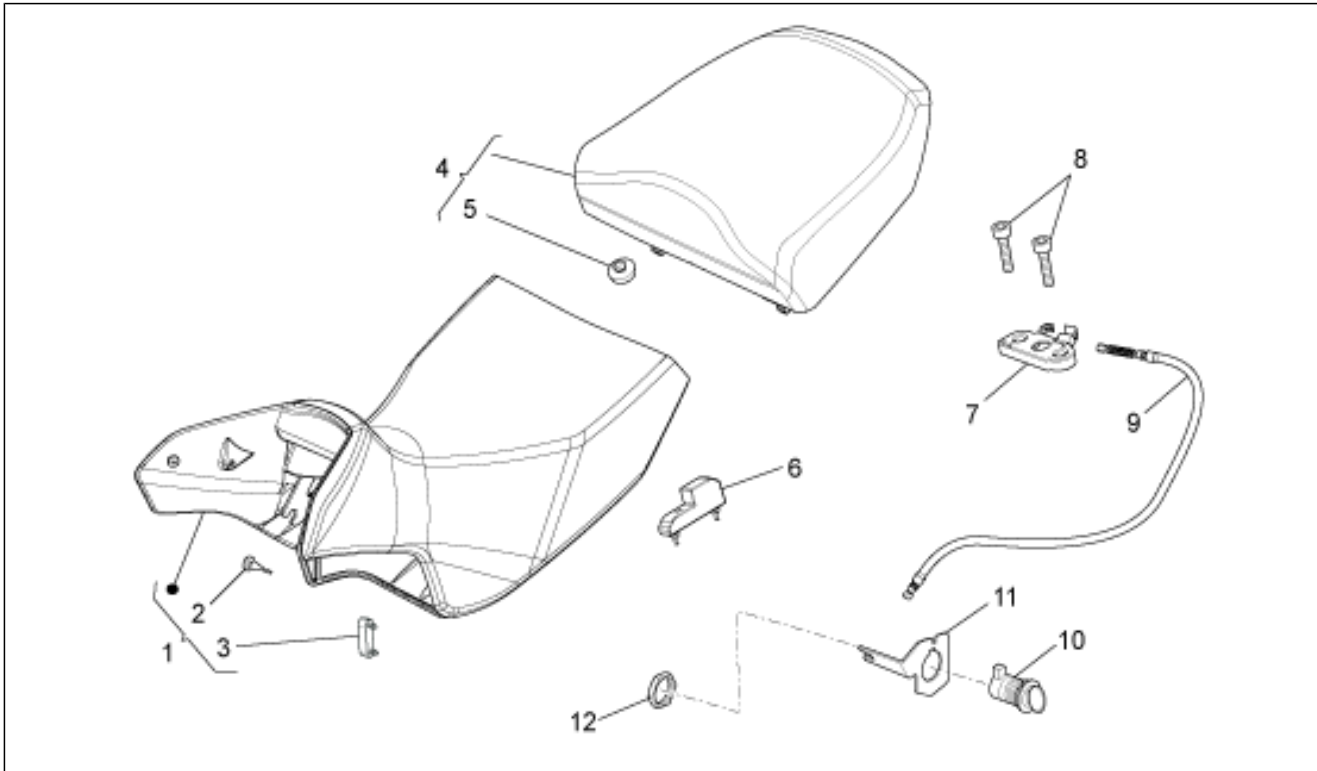
Pos.	Code	Description	Qty	Variants
1	898165	Copertura serbatoio grezza	1	
1	89816500NI	Tank cover	1	
2	AP8152339	Screw w/ flange M5x9	4	
3	978152	Rubber spacer	2	
4	GU91180600	Spacer 6,25x8x5	2	
5	248419	Spring plate m5	2	

Group	FRAME
Code	33.18
Description	Front mud.-Pillar
Service	1



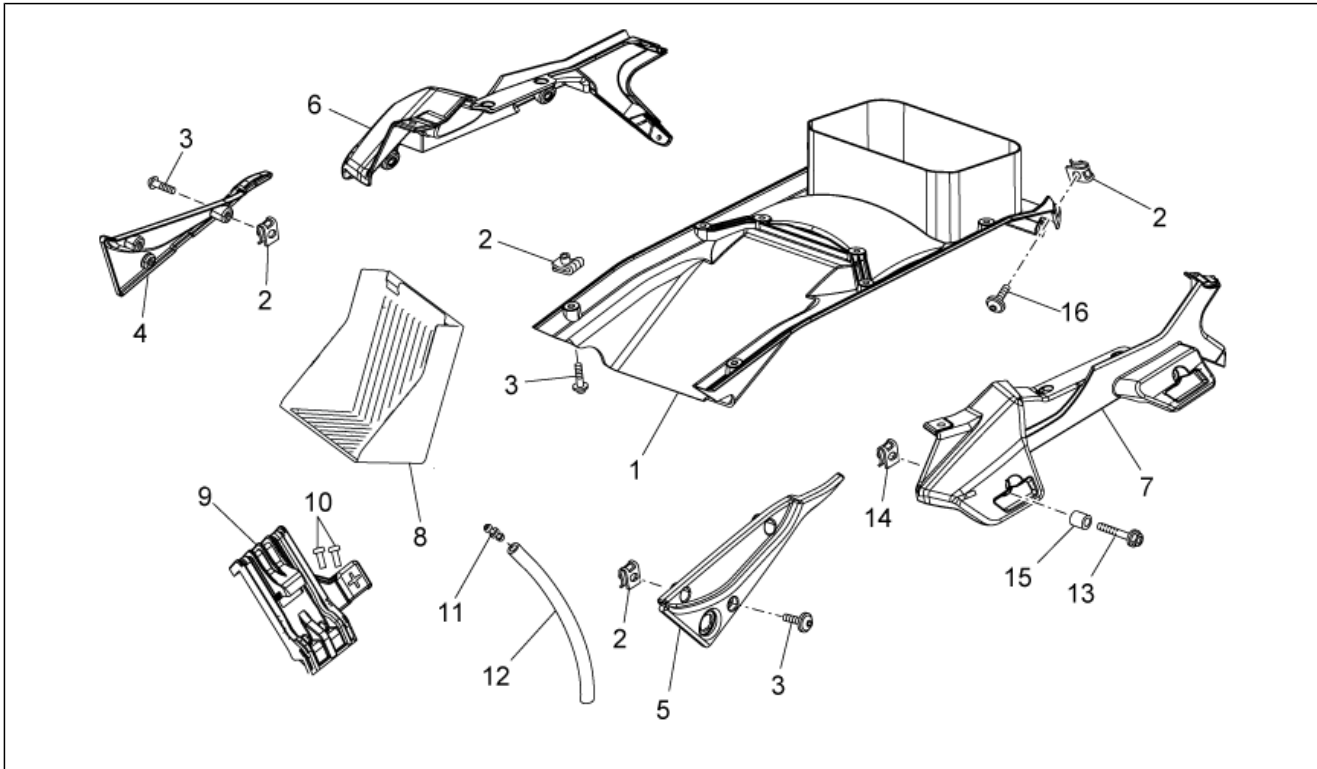
Pos.	Code	Description	Qty	Variants
1	88625400BM	Front mudguard, white	1	Vehicle colour: Bianco diamante (s.t.886900)[whd] Technical specification: Standard Version[Std]
1	88625400NI	Front mudguard, black	1	Vehicle colour: Nero competition (s.t.886899)[blc] Technical specification: NTX version[NTX]
1	88625400XV6	Front mudguard, green	1	Vehicle colour: Verde Raptor Opaco (s.t.B063041)[green] Technical specification: NTX version[NTX]
1	88625400Y02	Front mudguard, black	1	Vehicle colour: Nero Guzzi (s.t.886901)[blg] Technical specification: Standard Version[Std]
1	88625400YA2	Front mudguard, orange	1	Vehicle colour: Arancio rame (s.t.886902)[ar] Country: United States of America[USA] Technical specification: NTX version[NTX], Standard Version[Std]
1	978445	Front mudguard blank	1	
2	AP8152302	Screw w/ flange M5x12	6	
3	886329	Pillar, black	1	
4	978777	RH clamp	1	
5	978776	LH clamp	1	
6	GU91551010	Rubber spacer	2	
7	AP8221128	T bush 8,5x10,7x12	2	
8	GU98350425	Hex socket screw	2	
9	AP8152339	Screw w/ flange M5x9	4	
10	248419	Spring plate m5	4	
11	GU98350416	Hex socket screw M8x16	4	
12	AP8121096	T bush 8,2x12x4	4	

Group	FRAME
Code	33.19
Description	Saddle
Service	1



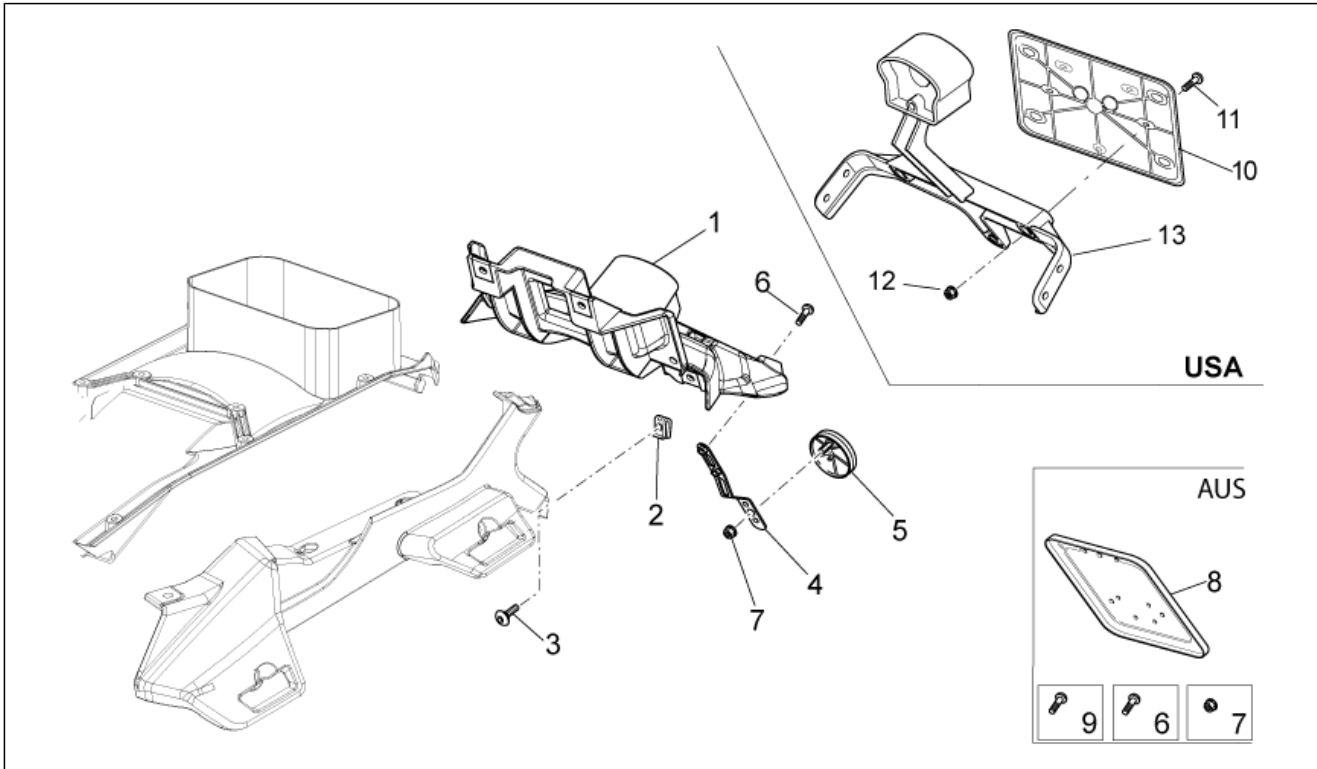
Pos.	Code	Description	Qty	Variants
1	88617600A2	Driver saddle	1	
2	AP8120001	Rubber spacer	2	
3	AP8126701	Saddle rubber	2	
4	88621100A2	Rear saddle	1	
5	GU32461610	Rubber spacer	5	
6	886175	Rubber spacer	4	
7	AP8102913	Pass.saddle connecting plate	1	
8	GU98370625	Hex socket screw	2	
9	883048	Saddle release cable	1	
10	GU05466830	Saddle lock	1	
11	AP8134948	Plate	1	
12	AP8102523	Lock nut M22x1,5	1	

Group	FRAME
Code	33.20
Description	Rear body I
Service	1



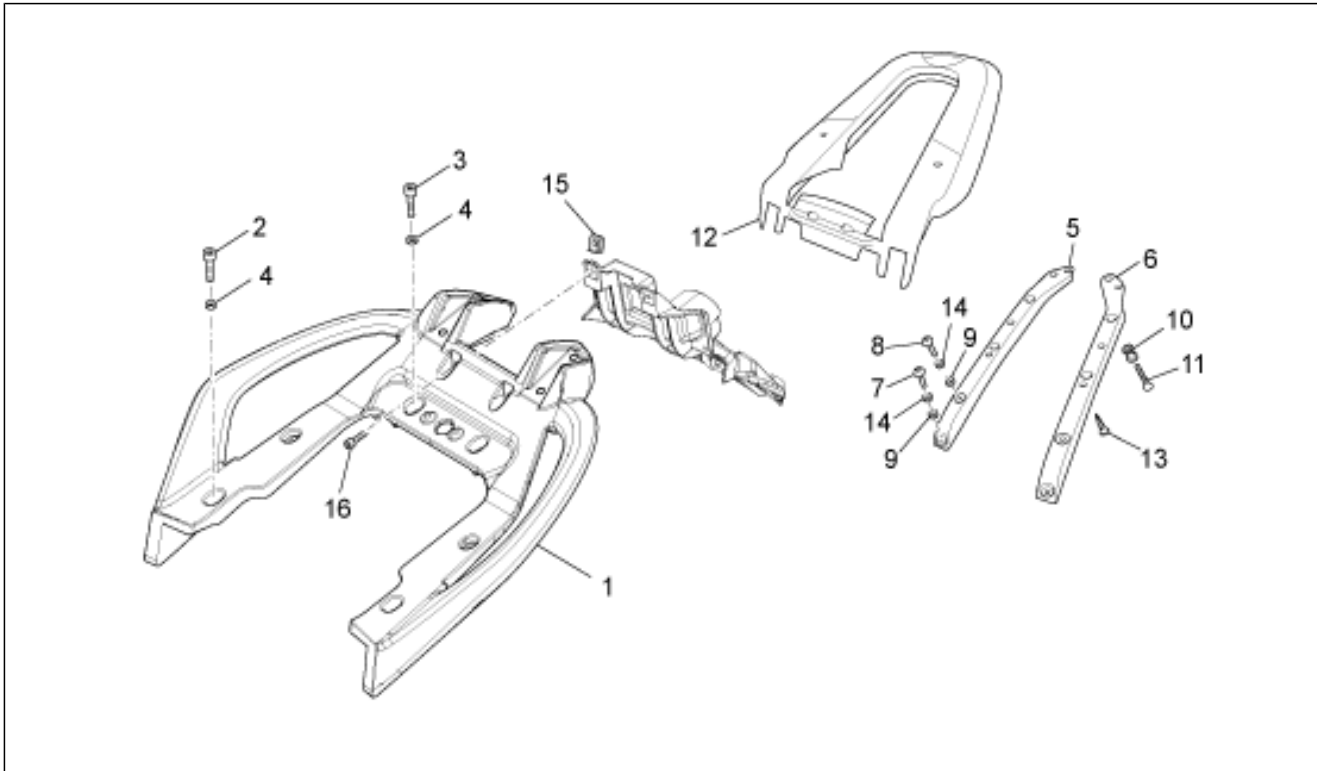
Pos.	Code	Description	Qty	Variants
1	886647	Splash guard	1	
2	248419	Spring plate m5	9	
3	AP8152339	Screw w/ flange M5x9	10	
4	883024	RH side panel	1	
5	883023	LH side panel	1	
6	886206	RH support	1	
7	886207	LH support	1	
8	883617	Battery holder	1	
9	886205	Battery fixing plate	1	
10	AP8152329	Phillips screw, SWP M5x20	2	
11	GU06704700	Joint	1	
12	AP8220263	Breather pipe 4x8	1	
13	AP8152280	Screw w/ flange M6x25	4	
14	GU28576592	Nut with clip M6	4	
15	883177	Bushing 6,2x10x10,7	4	
16	AP8152302	Screw w/ flange M5x12	2	

Group	FRAME
Code	33.21
Description	Rear body II
Service	1



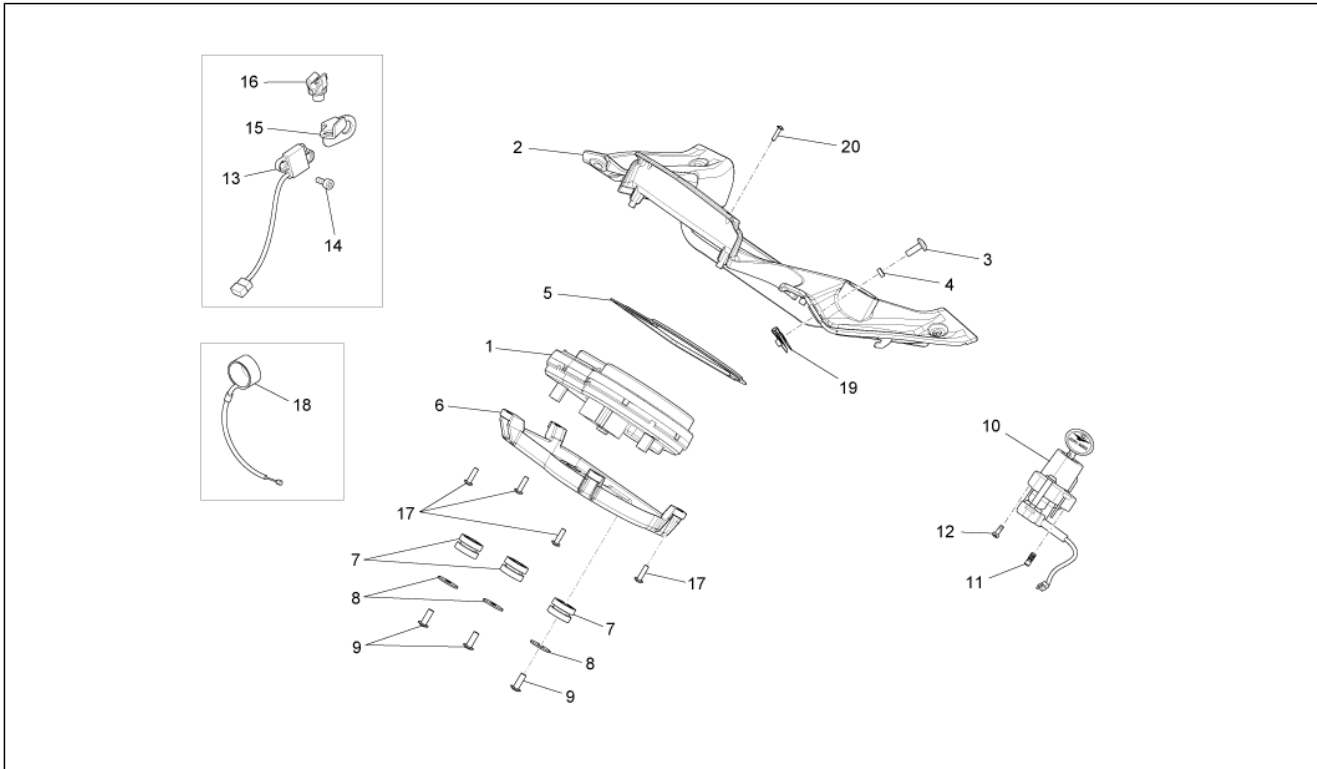
Pos.	Code	Description	Qty	Variants
1	978425	Number plate holder	1	
2	248419	Spring plate m5	2	
3	AP8152302	Screw w/ flange M5x12	2	
4	AP8134448	Reflector support	1	
5	AP8224164	Rear reflector, red	1	
6	AP8152268	Hex socket screw M5x16	6	
7	AP8152306	Self-locking nut m5	4	
8	GU80438610	Number plate holder	1	Country:Australia[AUS]
9	AP8152339	Screw w/ flange M5x9	4	Country:Australia[AUS]
10	AP8149034	Number plate support	1	Country:Canadian[CA], United States of America[USA]
11	GU98223530	screw	2	Country:Canadian[CA], United States of America[USA]
12	GU92650035	Flanged nut	2	Country:Canadian[CA], United States of America[USA]
13	883214	Rear reflector support	1	Country:Canadian[CA], United States of America[USA]

Group	FRAME
Code	33.22
Description	Rear handle - Luggage rack
Service	1



Pos.	Code	Description	Qty	Variants
1	97843900Y10	Passenger handle	1	
2	GU98682425	Hex socket screw M8x25	4	
3	GU98682416	Hex socket screw M8x16	2	
4	GU14615901	Washer 8,4X13X0,8	6	
5	GU05466630	RH lugg.rack support	1	
6	GU05466631	LH lugg.rack support	1	
7	GU98230820	Hex socket screw M8x20	2	
8	GU98350430	Hex socket screw M8x30	2	
9	AP8152154	Washer 8,4x13*	4	
10	AP8121890	Rear stand bush	2	
11	GU98250635	Screw M6x35	2	
12	883047	Luggage rack cover	1	
13	AP8150509	Self-tap screw 5x14	4	
14	GU03013800	Washer 6,4x12	4	
15	248419	Spring plate m5	2	
16	AP8152302	Screw w/ flange M5x12	2	

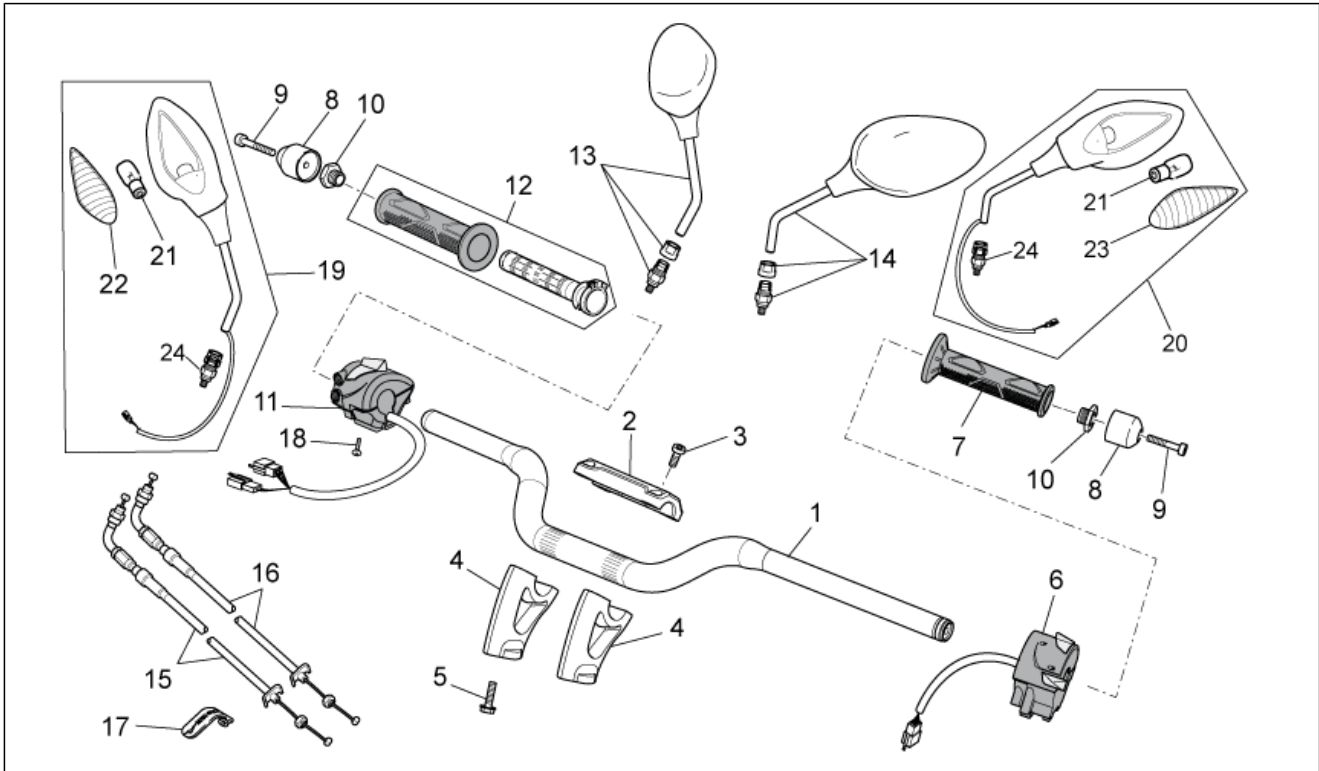
Group	FRAME
Code	33.23
Description	Dashboard
Service	1



Pos.	Code	Description	Qty	Variants
1	897645	Dashboard	1	
2	89816600NI	Dashboard panel blank	1	Vehicle colour: Arancio rame (s.t.886902)[ar], Verde Raptor Opaco (s.t.B063041)[green] Country: United States of America[USA] Technical specification: NTX version[NTX], Standard Version[Std]
2	89816600Y11	Dashboard panel blank	1	Technical specification: NTX version[NTX]
3	976614	Screw M5X15	4	
4	GU91180601	Spacer 6,2x8x3	2	
5	978449	Gasket	1	
6	886819	Socket support	1	
7	AP8144662	Rubber spacer	3	
8	AP8150255	Washer 5x20x1,5	3	
9	AP8150509	Self-tap screw 5x14	3	
10	GU05782530	Main switch - steering lock	1	
11	AP8152238	Shear rivet M8x28	1	
12	GU98682430	Hex socket screw M8x30	1	
13	883768	Speed sensor	1	Technical specification: Version without ABS[No ABS]
14	AP8152043	Hex socket screw M4x10	2	Technical specification: Version without ABS[No ABS]
15	GU06765500	Fairlead	1	Technical specification: Version without ABS[No ABS]
16	AP8121882	Cable-guide	1	Technical specification: Version without ABS[No ABS]
17	AP8150413	Self-tap screw 3,9x14	2	
18	981087	Immobilizer antenna	1	
19	248419	Spring plate m5	4	
20	AP8150421	Self-tap screw 2,9x12	2	

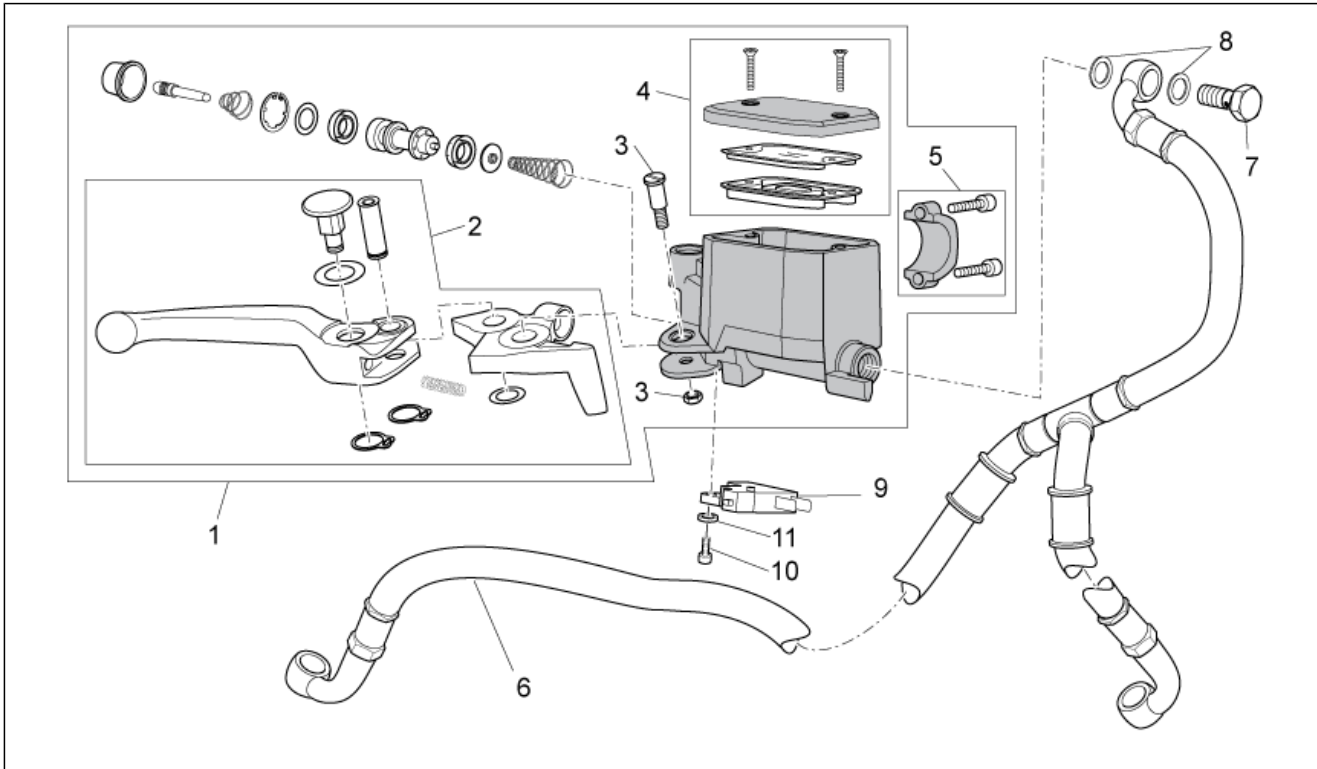


Group	FRAME
Code	33.24
Description	Handlebar - Controls
Service	1



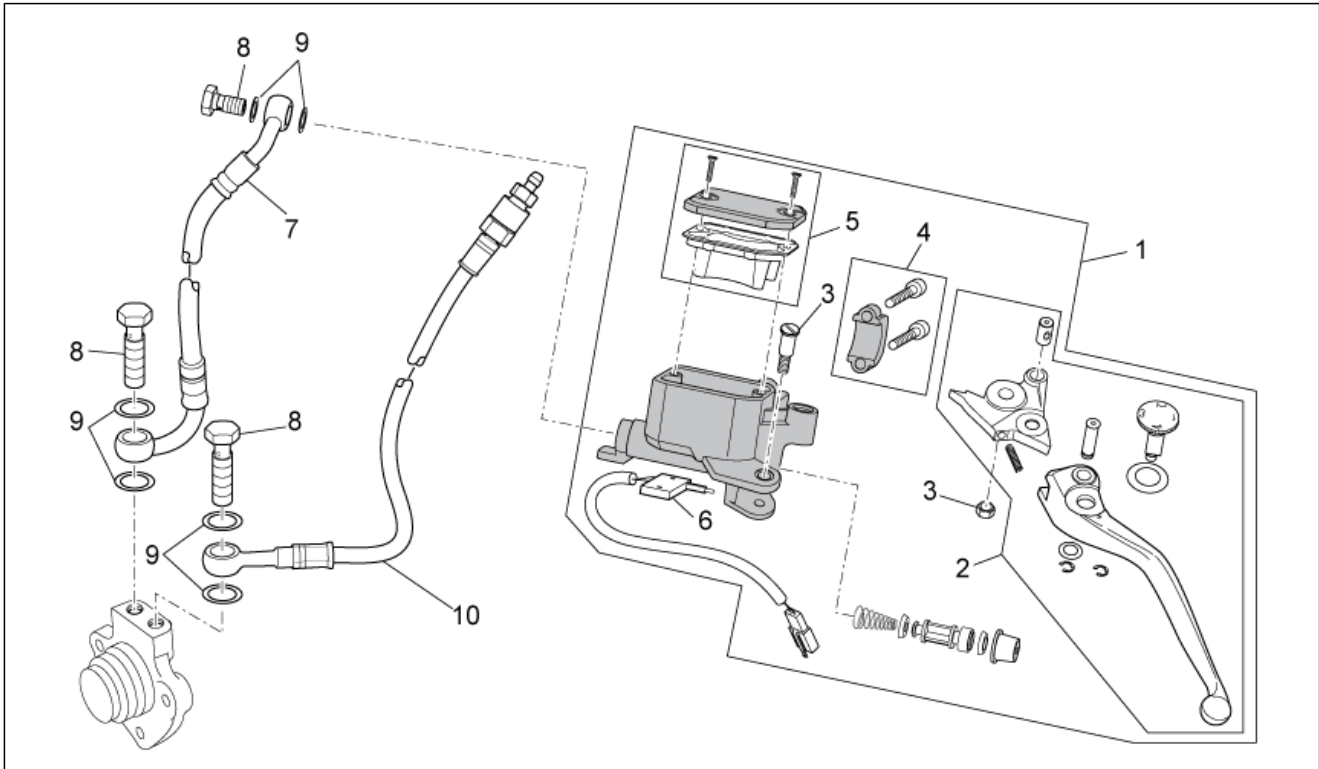
Pos.	Code	Description	Qty	Variants
1	978040	Handlebar	1	
2	978821	Upper U-bolt	1	
3	GU98700430	Screw M8x30	4	
4	978042	Lower U-bolt	2	
5	AP8152325	Screw w/ flange	2	
6	886229	LH lights selector	1	
7	AP8118579	LH hand grip	1	
8	AP8104572	Anti.v weight, black	2	
9	AP8150342	Hex socket screw M6x70	2	
10	886234	Anti vib.weight trailing	2	
11	883543	Engine stop-start device	1	Technical specification: Version without ABS[No ABS]
11	886159	Engine stop-start device	1	Technical specification:
12	GU01603480	RH hand grip	1	
13	AP8104921	RH rearview mirror	1	
14	AP8104922	LH rearview mirror	1	
15	85222R	Gas trasmission delivery	1	
16	85223R	Gas trasmission return	1	
17	GU01609630	Hose clamp L46 mm	4	
18	978059	Self-tap screw	1	
19	883460	RH rearview mirror	1	Country: Canadian[CA], United States of America[USA]
20	883461	LH rearview mirror	1	Country: Canadian[CA], United States of America[USA]
21	981101	Lamp 12V-15W	1	Country: Canadian[CA], United States of America[USA]
22	981099	RH.turn indicator lens	1	Country: Canadian[CA], United States of America[USA]
23	981100	LH turn indicator lens	1	Country: Canadian[CA], United States of America[USA]
24	884312	Mirror mounting clump	2	Country: Canadian[CA], United States of America[USA]

Group	FRAME
Code	33.25
Description	Front master cilinder
Service	1



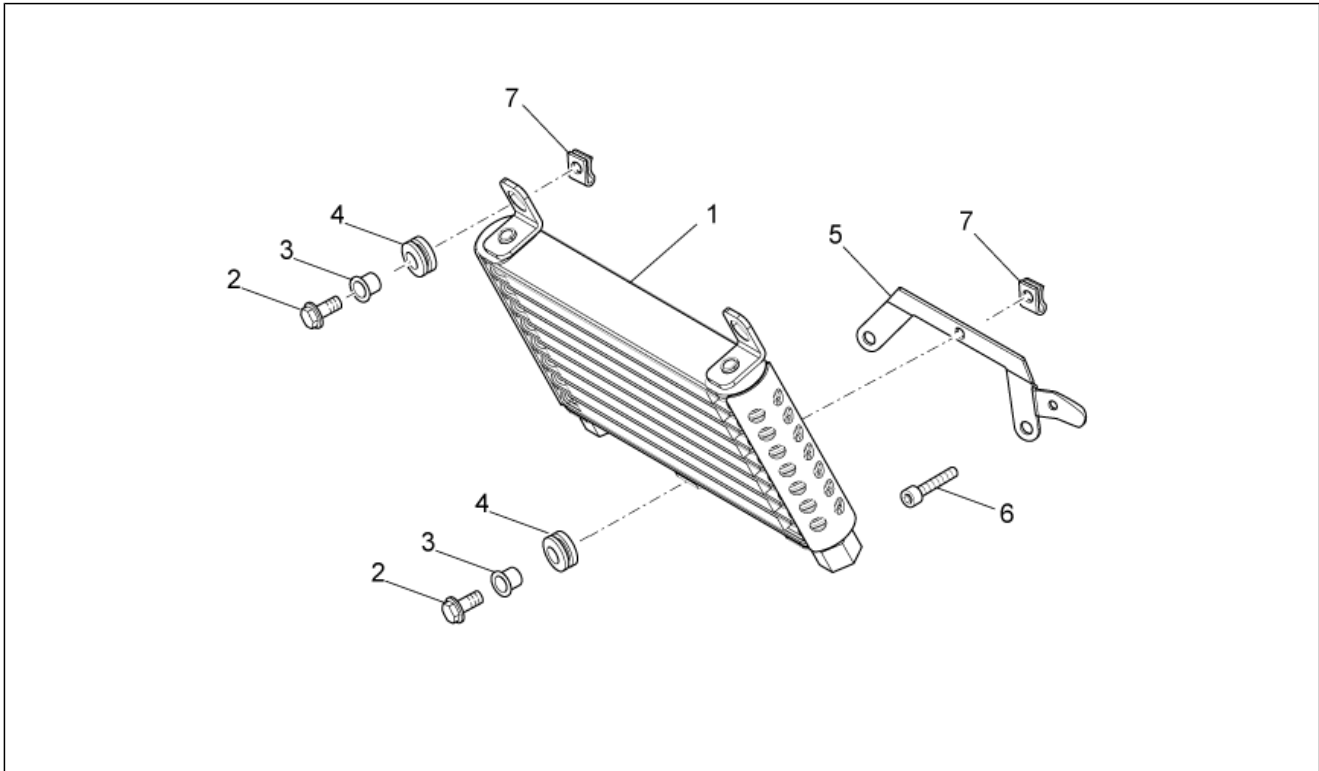
Pos.	Code	Description	Qty	Variants
1	978606	Front master cilinder	1	
2	981050	Front brake lever	1	
3	AP8113995	Lever pin	1	
4	GU05661130	Tank cap	1	
5	AP8113993	U-bolt	1	
6	978784	Front brake hose	1	Technical specification: Version without ABS[No ABS]
7	AP8133962	Oil pipe screw *	1	Technical specification: Version without ABS[No ABS]
8	GU25656100	Gasket	2	
9	GU03749845	Stop switch	1	
10	GU98370412	Hex socket screw M4x12	1	
11	GU95021104	Washer 4,3x8x1,5	1	

Group	FRAME
Code	33.26
Description	Clutch control complete
Service	1



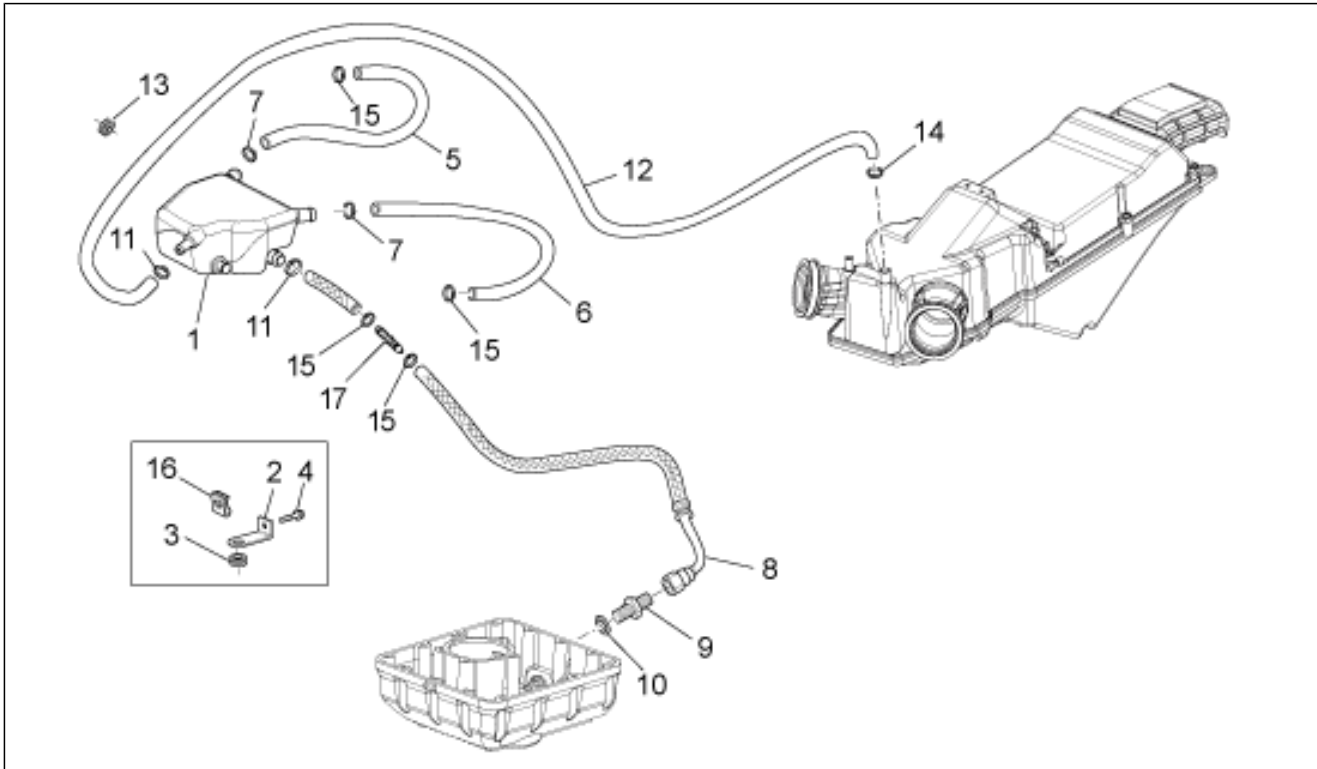
Pos.	Code	Description	Qty	Variants
1	978607	Clutch pump	1	
2	981046	Clutch lever	1	
3	GU03604845	Lever pin	1	
4	AP8113993	U-bolt	1	
5	AP8113997	Tank cap	1	
6	AP8113998	Microswitch	1	
7	978911	Clutch pipe	1	
8	AP8113003	Oil pipe screw *	3	
9	AP8113004	Washer 10x14x1,6*	6	
10	GU05606630	Float chambe clutch pipe	1	

Group	FRAME
Code	33.27
Description	Oil radiator
Service	1



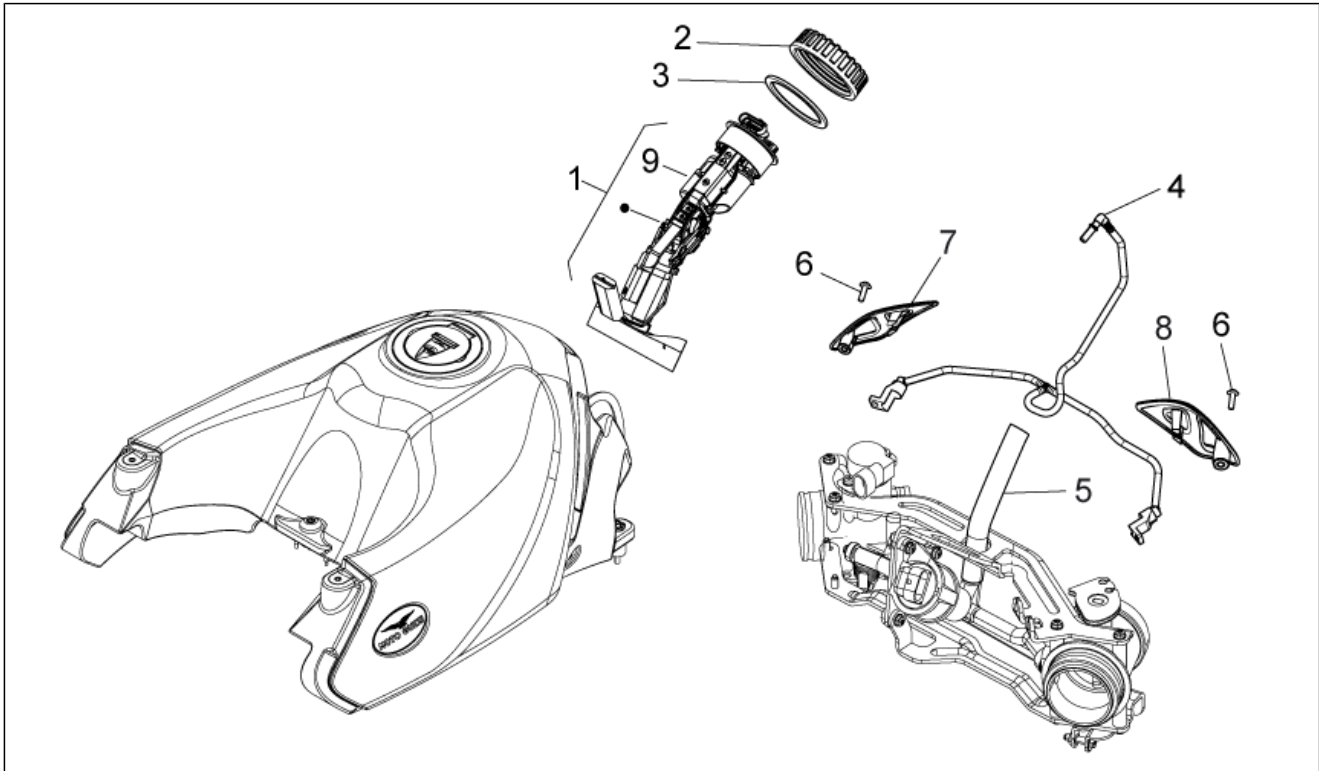
Pos.	Code	Description	Qty	Variants
1	886831	Oil cooler cpl.	1	
1	978579	Oil cooler cpl.	1	
2	AP8152280	Screw w/ flange M6x25	3	
3	AP8221023	T bush	3	
4	AP8120030	Rubber spacer	3	
5	886858	Water cooler support	1	
5	978846	Water cooler support	1	
6	GU98680340	Hex socket screw M6x40	2	
7	GU28576591	Clip M6	1	

Group	FRAME
Code	33.28
Description	Blow-by system
Service	1



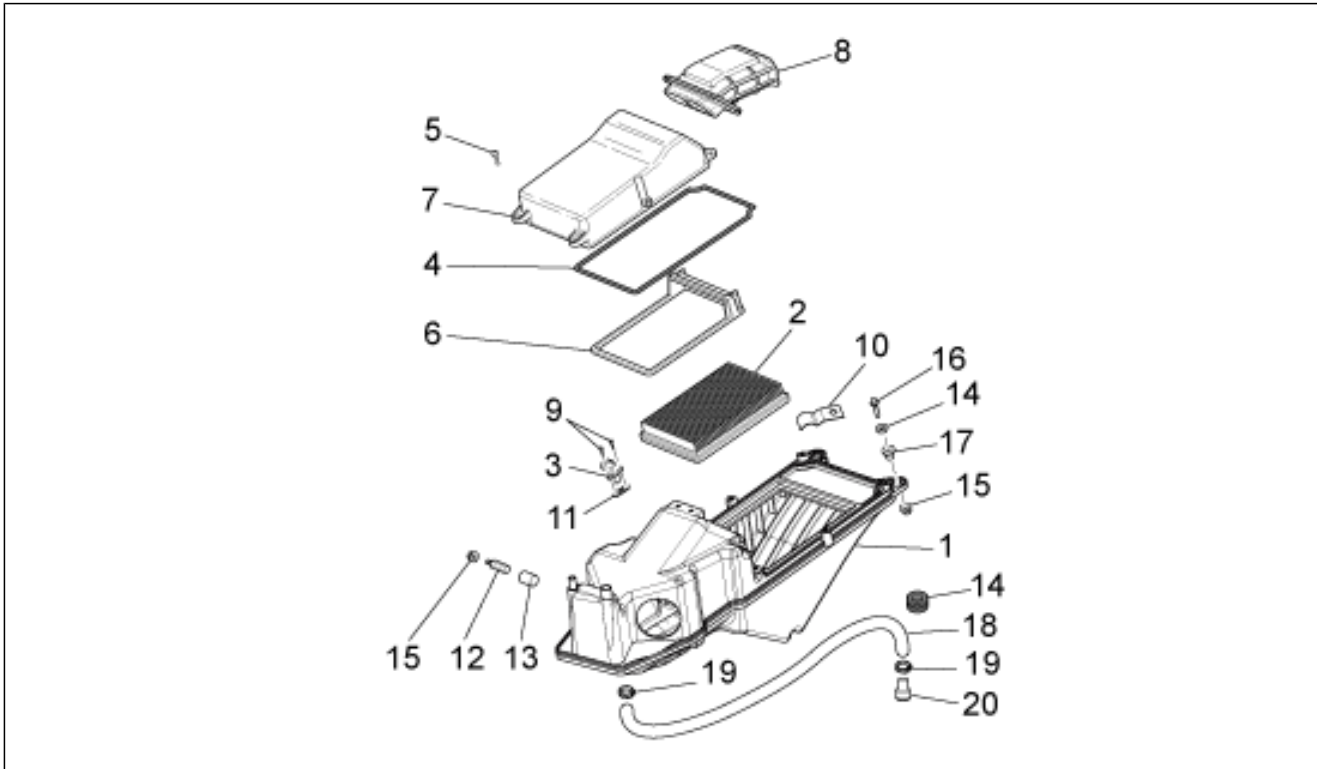
Pos.	Code	Description	Qty	Variants
1	886098	Housing	1	
2	GU06412300	Plate	1	
3	AP8120030	Rubber spacer	1	
4	598839	Screw w/ flange	1	
5	883034	RH pipe	1	
6	883035	LH pipe	1	
7	AP8102349	White hose clip D17,5x8	2	
8	883036	Pipe	1	
9	GU01161331	Reduction	1	
10	GU01154230	Gasket	1	
11	AP8102765	White hose clip D.13,5x6	2	
12	GU00823955080	Breather pipe	1	
13	AP8220162	Rubber spacer	1	
14	AP8102764	White hose clip d.13x6	1	
15	AP8101586	Hose clip D.15,5x6,6	4	
16	GU28576591	Clip M6	1	
17	886339	2-way union	1	

Group	FRAME
Code	33.29
Description	Fuel supply
Service	1



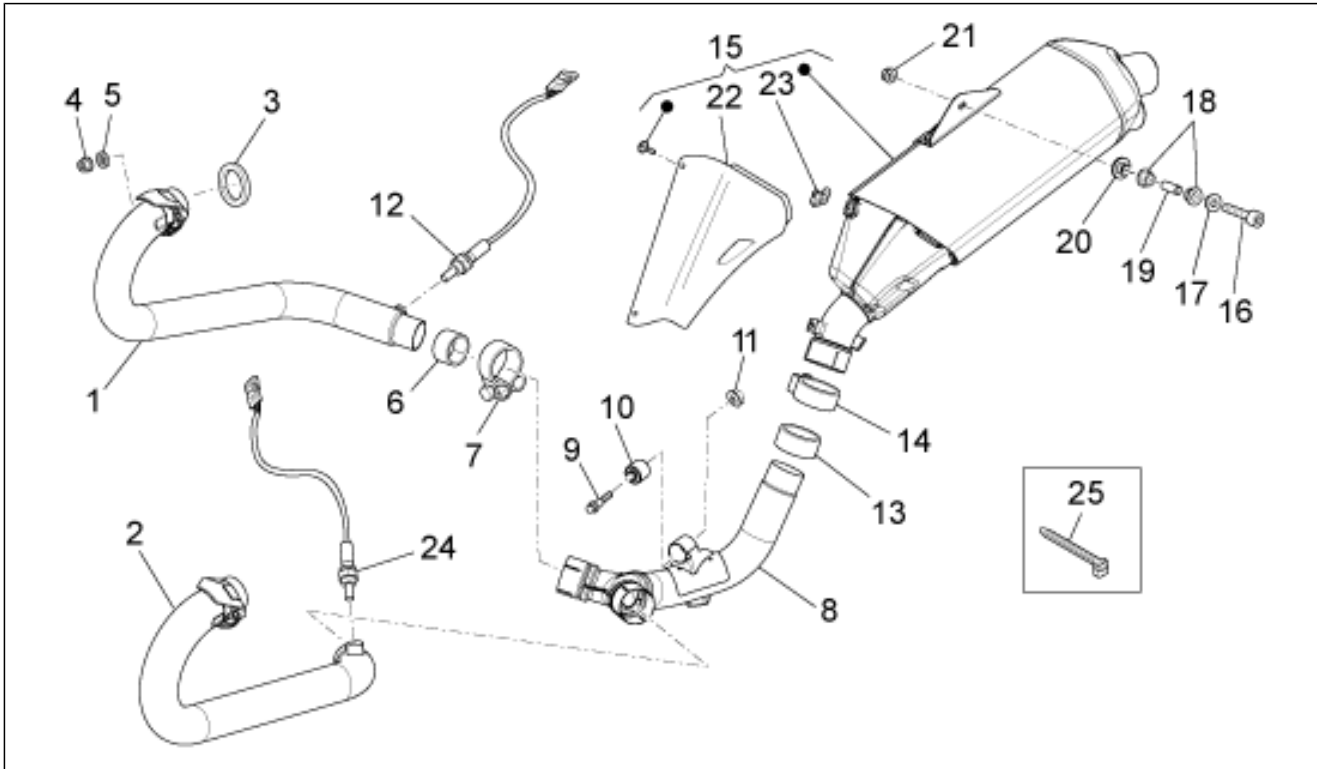
Pos.	Code	Description	Qty	Variants
1	897636	Fuel pump	1	
2	AP8158359	Ring nut	1	
3	854937	Gasket	1	
4	897618	petrol tube	1	
5	883633	Breather pipe	1	
6	GU98680222	Hex socket screw	2	
7	883092	RH protection	1	
8	883093	LH protection	1	
9	641277	Fuel filter	1	

Group	FRAME
Code	33.30
Description	Air box
Service	1



Pos.	Code	Description	Qty	Variants
1	877062	Air box	1	
2	AP8104329	Air filter	1	
3	GU30729330	Air temp. Sensor	1	
4	890513	Gasket D4	1	
5	AP8152329	Phillips screw, SWP M5x20	6	
6	GU06114200	Protection	1	
7	GU06113700	Cover	1	
8	AP8144164	Intake hose	1	
9	AP8150421	Self-tap screw 2,9x12	2	
10	GU93301313	U-bolt	1	
11	GU30027931	Gasket	1	
12	883097	Filter housing support spindle	2	
13	AP8220526	Rubber spacer	2	
14	AP8120030	Rubber spacer	2	
15	GU92650036	Flanged nut M6	2	
16	AP8152280	Screw w/ flange M6x25	2	
17	AP8221023	T bush	2	
18	AP8144038	Fuel pipe 6x10	2	
19	AP8101595	Hose clamp D10,1	4	
20	AP8120876	Plug	2	

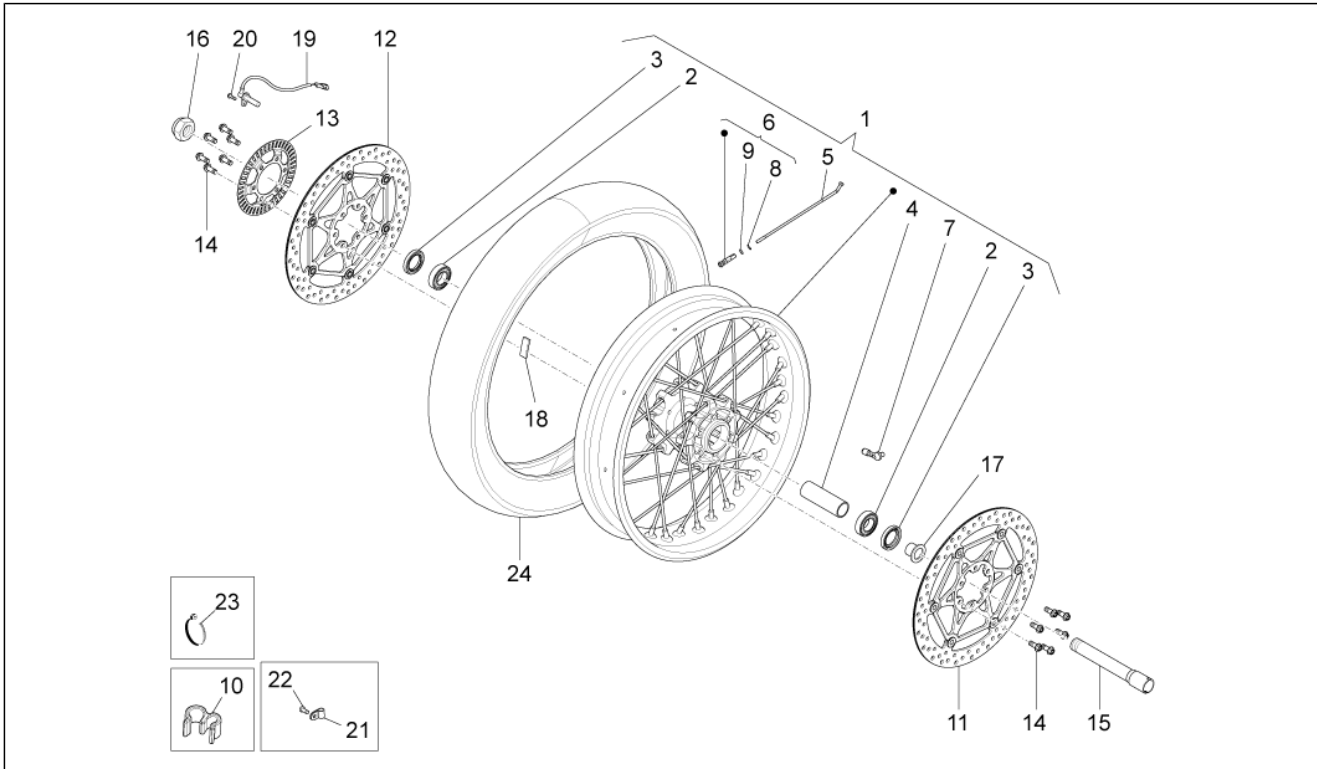
Group	FRAME
Code	33.31
Description	Exhaust unit
Service	1



Pos.	Code	Description	Qty	Variants
1	897622	RH exhaust pipe	1	
2	897623	LH exhaust pipe	1	
3	976376	Gasket	2	
4	GU92660021	Flanged nut M8	4	
5	GU14615901	Washer 8,4X13X0,8	4	
6	GU06123500	Gasket	2	
7	883094	Hose clamp	2	
8	897624	Central exhaust pipe	1	
9	AP8152410	Screw w/ flange M10x55	1	
10	AP8220346	Silent-block	1	
11	AP8152301	Self-locking nut	1	
12	896110	Lamda sensor l.660 mm	1	
13	GU05128230	Gasket	1	
14	976521	Hose clamp	1	
15	886307	Silencer	1	
16	GU98680460	Hex socket screw M8x60	1	
17	AP8134378	Silencer fixing bush	1	
18	AP8144071	Rubber exhaust	2	
19	AP8121072	Spacer	1	
20	977582	Spacer	1	
21	GU92650138	Nut M8x1,25	1	
22	978444	Guard	1	
23	GU28576591	Clip M6	2	
24	584344	Lamda sensor l. 325 mm	1	
25	GU93304390	Hose clamp 3,6x375	1	



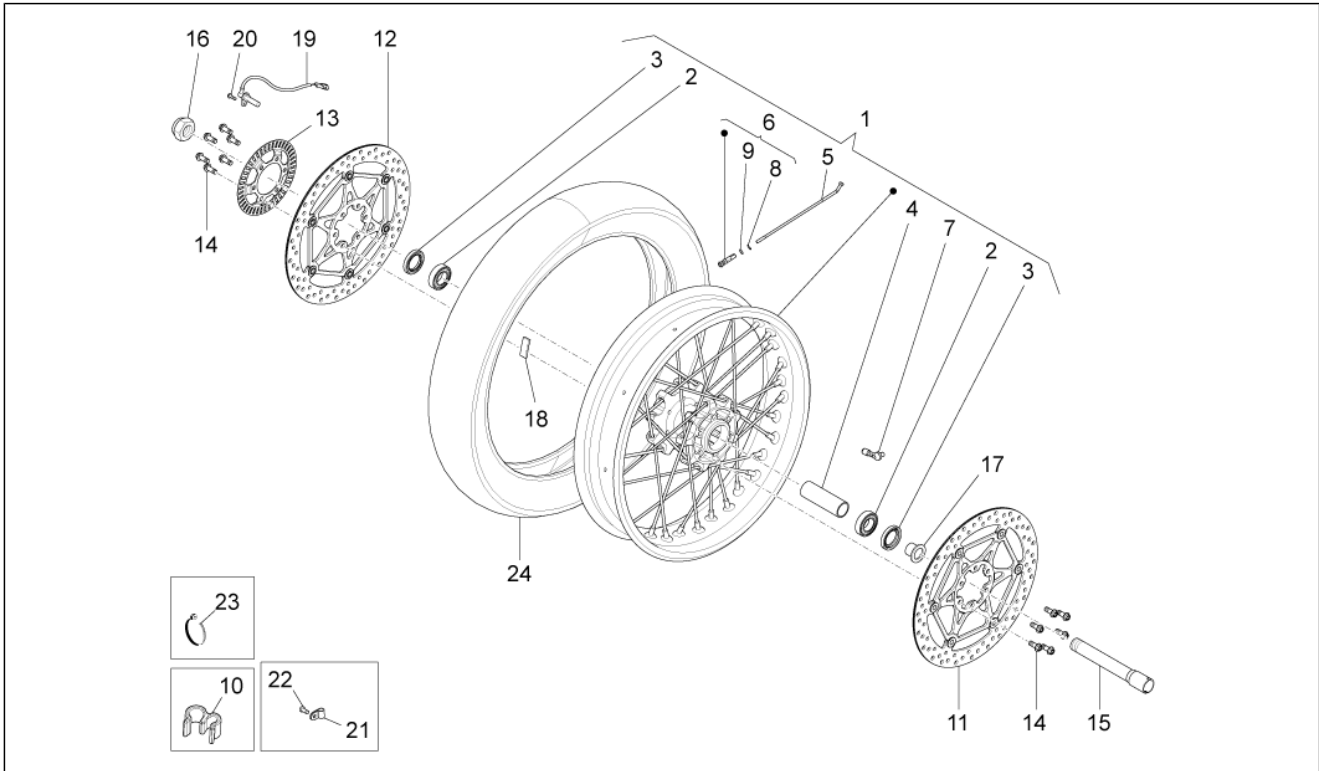
Group	FRAME
Code	33.33
Description	Front wheel
Service	1



Pos.	Code	Description	Qty	Variants
1	883009	Front wheel 2,50x19"	1	Technical specification: Ruota marchiata BEHR[RBE], Ruota con raggi CR[RCR]
1	884093	Front wheel 2,50x19"	1	Technical specification: Ruota marchiata BEHR[RBE], Ruota con raggi ZN[RZN]
1	884168	Front wheel 2,50x19"	1	Technical specification: Ruota marchiata GIANT[RGI], Ruota con raggi ZN[RZN]
2	AP8125777	Ball bearing 25x47x12	2	
3	AP8125773	Gasket ring 30x47x7	2	
4	978516	Spacer	1	
5	887085	Spoke	36	Technical specification: Galvanized[ZN]
5	978864	Spoke	36	Technical specification: Polished Chrome[CR]
6	978810	Nipples L=34	36	
7	AP8101744	Tubeless tyre valve	1	
8	978811	Snap ring	36	
9	GU90706061	O-ring OR2025	36	
10	894704	Fairlead	3	
11	896012	Front brake disc SX	1	
12	896011	Front brake disc DX	1	
13	AP8128189	Wheel speed sensor, left front	1	
14	AP8152286	Screw w/ flange M8x20	12	
15	978030	Front wheel spindle	1	
16	GU01612190	Nut	1	
17	GU06616300	Spacer	1	
18	GU14616150	Counterweight	1	
19	859792	Sensor ABS	1	
20	AP8152273	Screw w/ flange M5x16	1	
21	859777	Fairlead	3	
22	AP8201749	Screw M4x6	1	
23	GU49609601	Hose clamp 2,4x92	1	

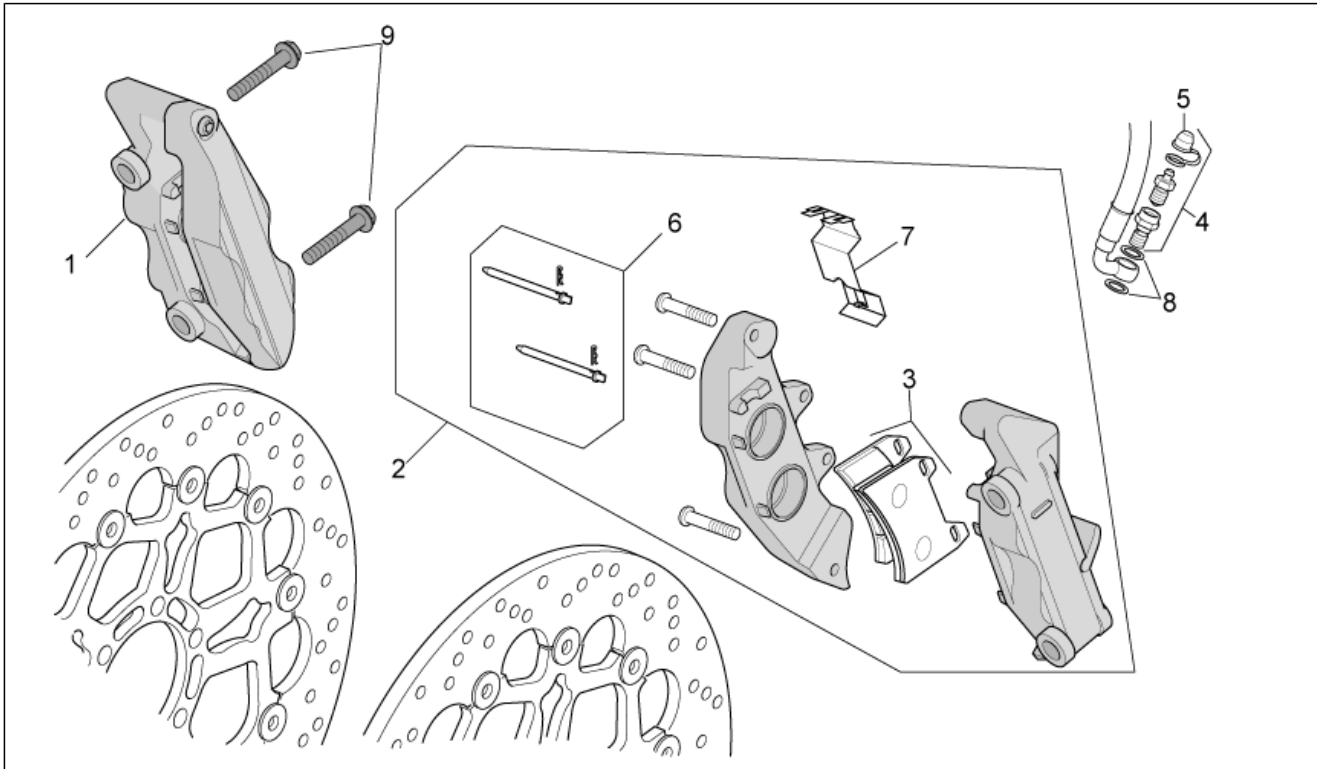


Group	FRAME
Code	33.33
Description	Front wheel
Service	1



Pos.	Code	Description	Qty	Variants
24	886311	Front tyre 110/80 R19	1	

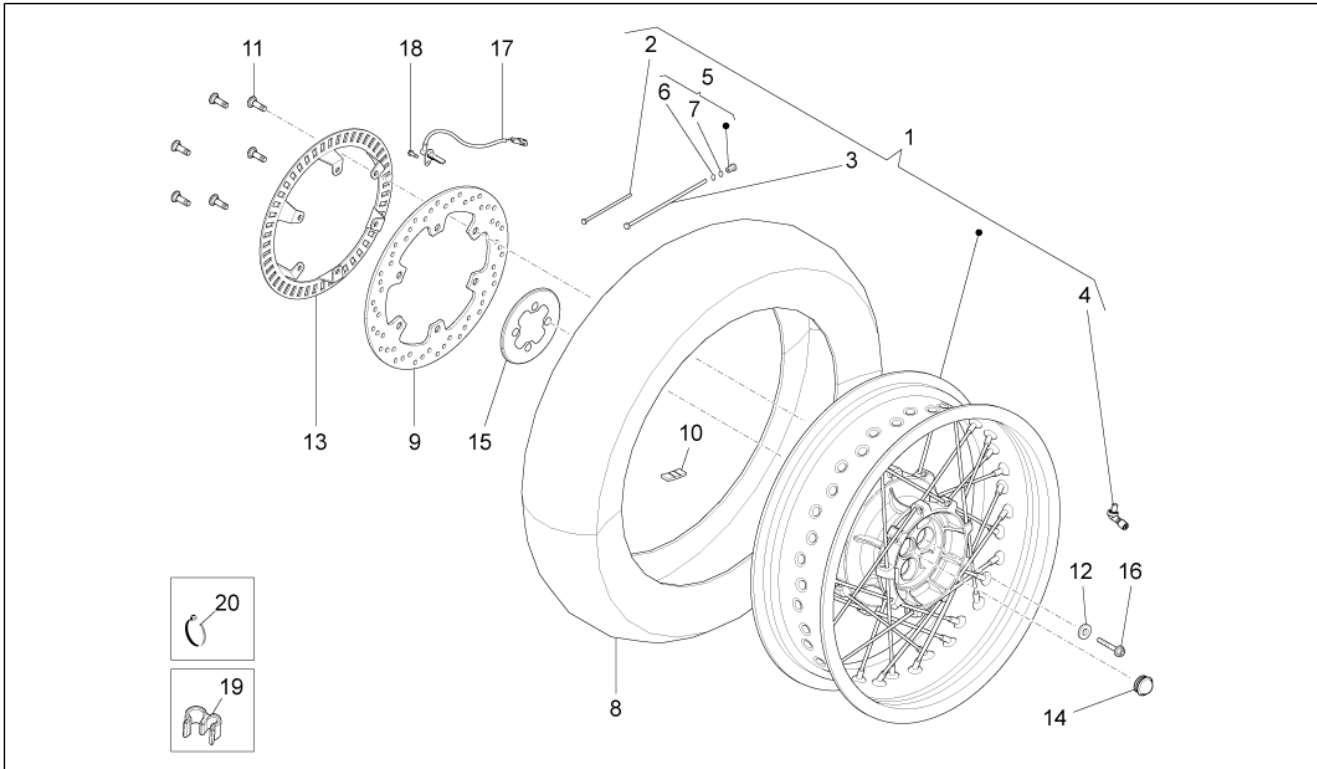
Group	FRAME
Code	33.34
Description	Front brake caliper
Service	1



Pos.	Code	Description	Qty	Variants
1	887067	RH front brake caliper	1	Technical specification:
2	887068	LH front brake caliper	1	Technical specification:
3	887070	Pads (pair)	2	Technical specification:
4	AP8133945	Bleeder kit	2	
5	AP8113070	Bleed valve cap	2	
6	GU01659130	Pins+Caliper springs	2	
7	GU01659131	Spring	2	
8	GU25656100	Gasket	4	
9	AP8152414	Screw w/ flange M10x55	4	

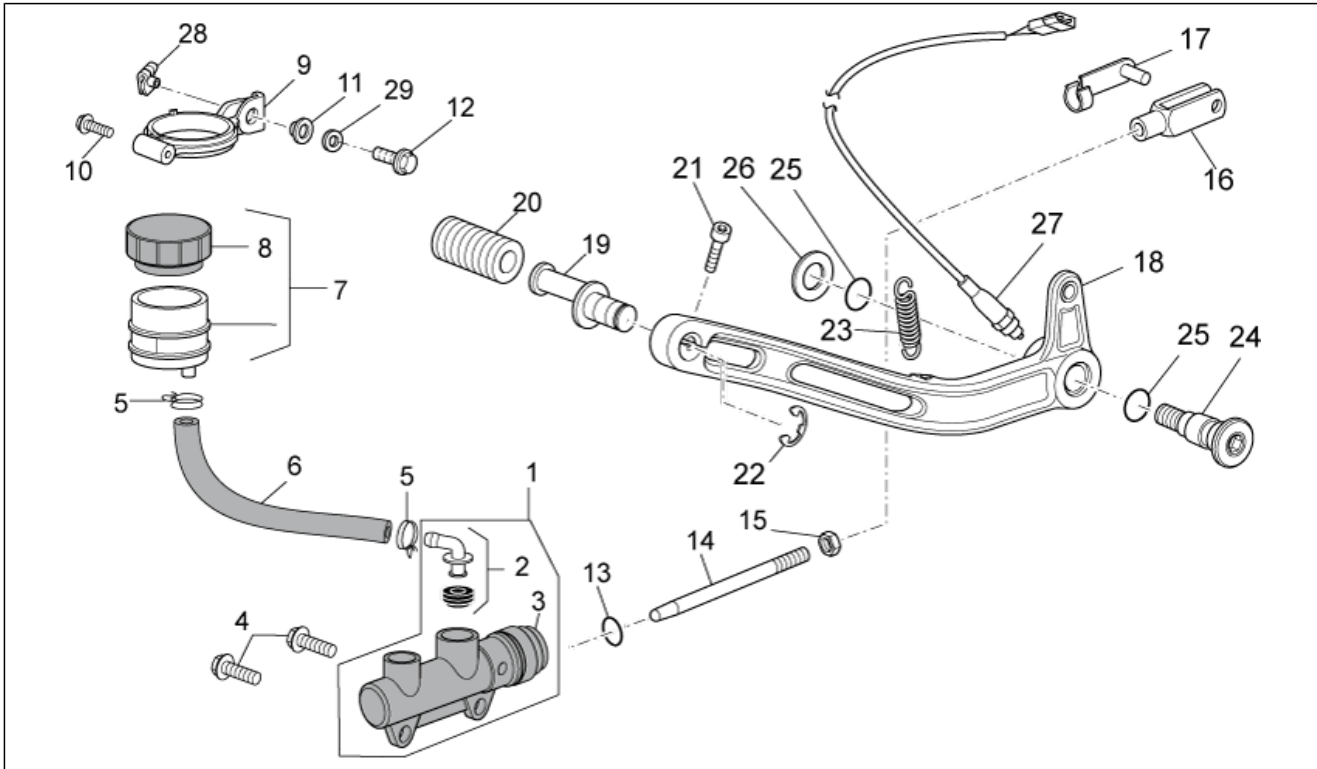


Group	FRAME
Code	33.35
Description	Rear wheel
Service	1



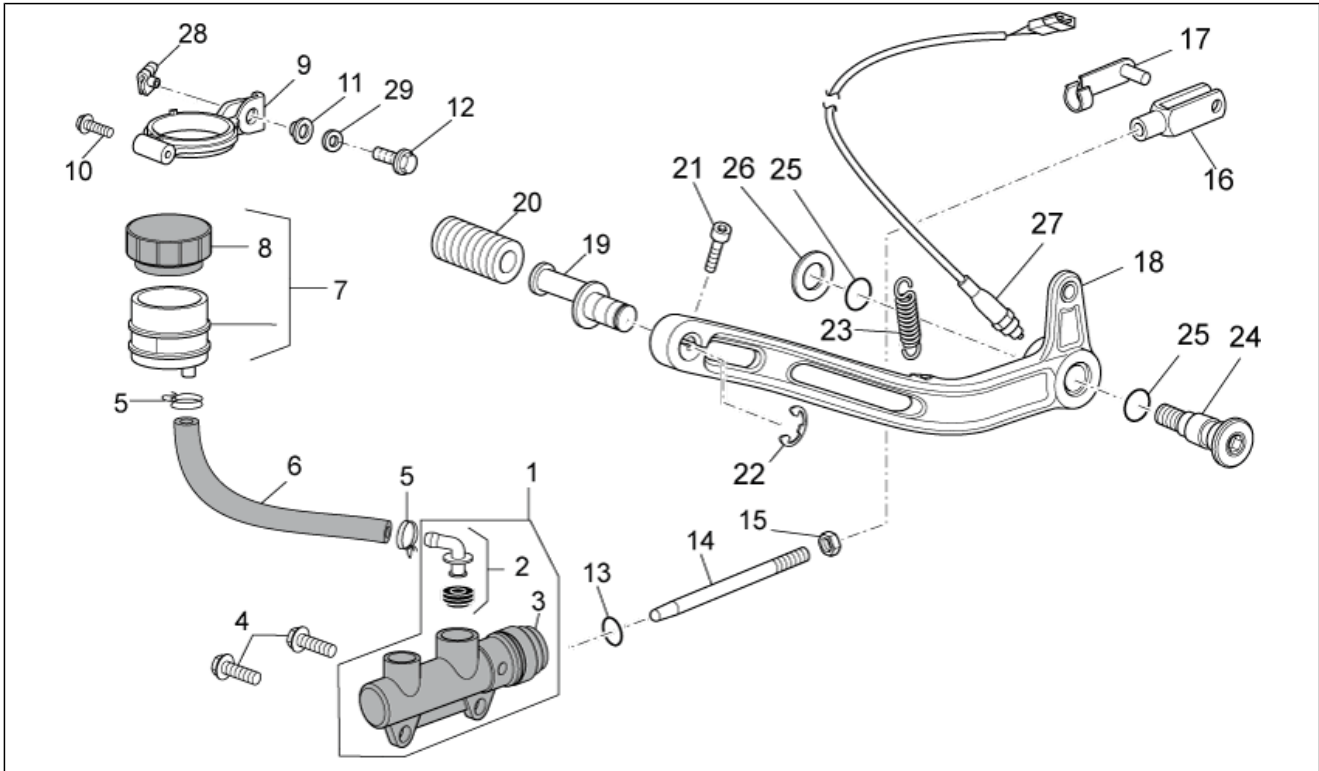
Pos.	Code	Description	Qty	Variants
1	883433	Rear wheel 4,25X17"	1	Technical specification: Ruota marchiata BEHR[RBE], Ruota con raggi CR[RCR]
1	884094	Rear wheel 4,25X17"	1	Technical specification: Ruota marchiata BEHR[RBE], Ruota con raggi ZN[RZN]
1	884166	Rear wheel 4,25X17"	1	Technical specification: Ruota marchiata GIANT[RGI], Ruota con raggi ZN[RZN]
2	887082	Short spoke L=147,4mm	18	Technical specification: Galvanized[ZN]
2	978815	Short spoke	18	Technical specification: Polished Chrome[CR]
3	887083	Long spoke L=154,9mm	18	Technical specification: Galvanized[ZN]
3	978816	Long spoke	18	Technical specification: Polished Chrome[CR]
4	978814	Tubeless tyre valve	1	
4	AP8101744	Tubeless tyre valve	1	
5	978810	Nipples L=34	36	
6	978811	Snap ring	36	
7	GU90706061	O-ring OR2025	36	
8	886312	Rear tyre 150/70 R17	1	
9	GU05635730	Rear brake disc	1	
10	GU14616150	Counterweight	1	
11	AP8152272	Screw w/ flange M5x12	6	
12	GU05632730	Conical bush	4	
13	GU05681530	Wheel speed sensor, left front	1	
14	978301	Cover	1	
15	977056	Dust cover ring	1	
16	GU97202665	Screw w/ flange M12x65	4	
17	GU05683730	Sensor	1	
18	598839	Screw w/ flange	1	
19	894704	Fairlead	4	
20	GU49609601	Hose clamp 2,4x92	1	

Group	FRAME
Code	33.36
Description	Rear master cylinder
Service	1



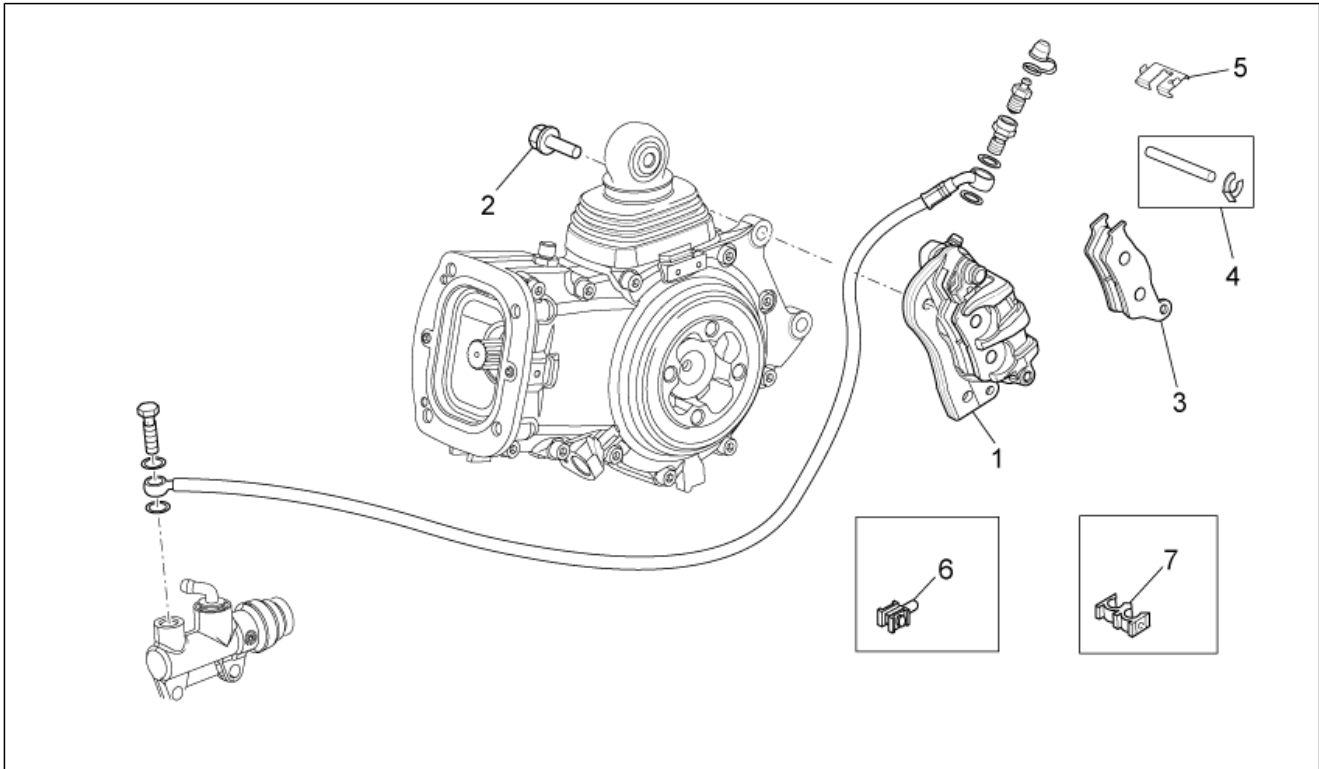
Pos.	Code	Description	Qty	Variants
1	GU05666930	Rear master cylinder	1	
2	AP8113594	Rear brake pump union	1	
3	AP8113288	Rubber bellows	1	
4	AP8152279	Screw w/ flange M6x20	2	
5	AP8101595	Hose clamp D10,1	2	
6	AP8133779	Rear brake hose	1	
7	GU05663530	Brake oil tank complete	1	
8	GU17661052	Tank cap	1	
9	GU05666030	Tank support	1	
10	AP8152329	Phillips screw, SWP M5x20	1	
11	AP8221145	T bush *	1	
12	598839	Screw w/ flange	1	
13	AP8120178	O-ring OR112	1	
14	977041	Master cylinder rod	1	
15	GU92606206	Nut	1	
16	AP8113081	Fork	1	
17	AP8113082	Gear selector fork clips	1	
18	GU06677000	Rear brake lever	1	
19	AP8121221	Brake lever pin	1	
20	AP8120912	Lever rubber	1	
21	GU98682316	Hex socket screw M6x16	1	
22	AP8150462	Circlip d9	1	
23	GU30434000	Inner spring	1	
24	884033	Rear brake lever pin	1	
25	AP8144007	O-ring 11,11x1,78	2	
26	GU95008310	Washer 10,5x22x2,5	1	
27	AP8112996	clutch switch	1	
28	GU28576592	Nut with clip M6	1	

Group	FRAME
Code	33.36
Description	Rear master cylinder
Service	1



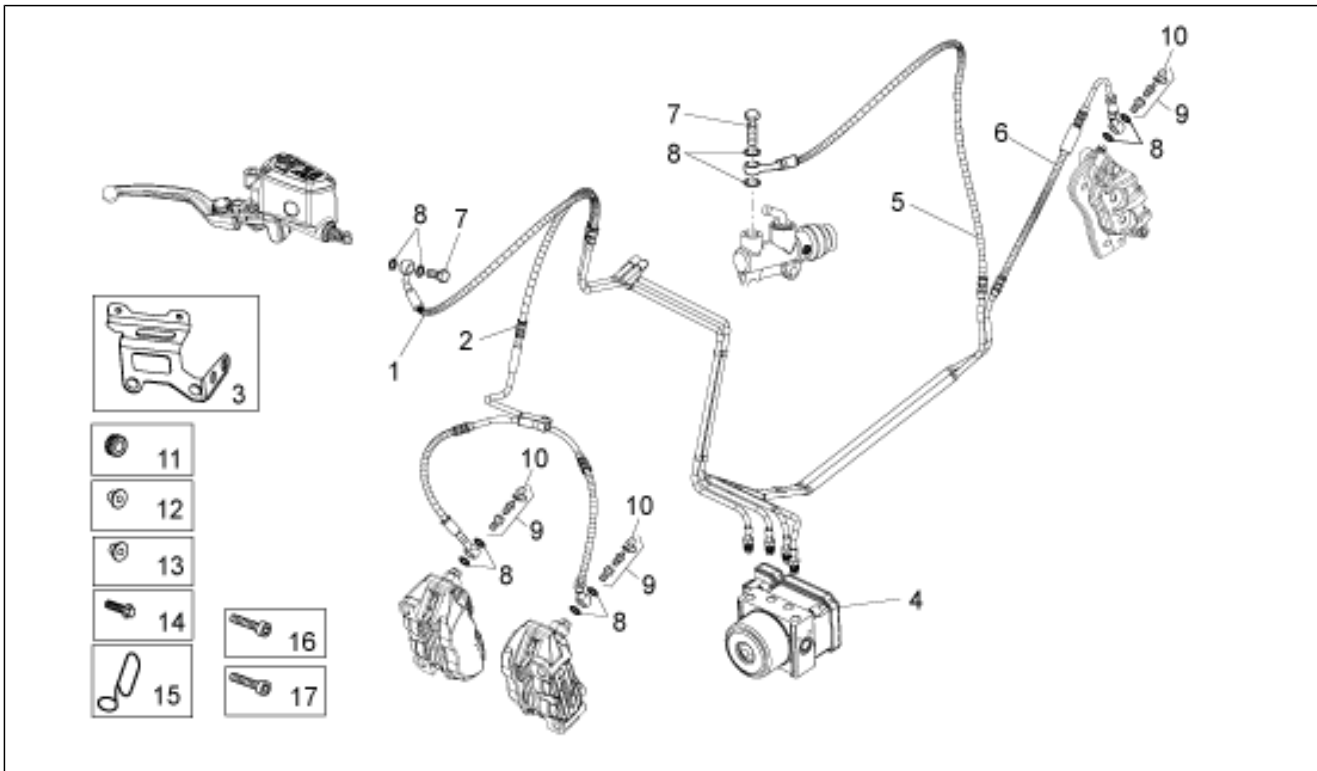
Pos.	Code	Description	Qty	Variants
29	GU95021206	Washer	1	

Group	FRAME
Code	33.37
Description	Rear brake caliper
Service	1



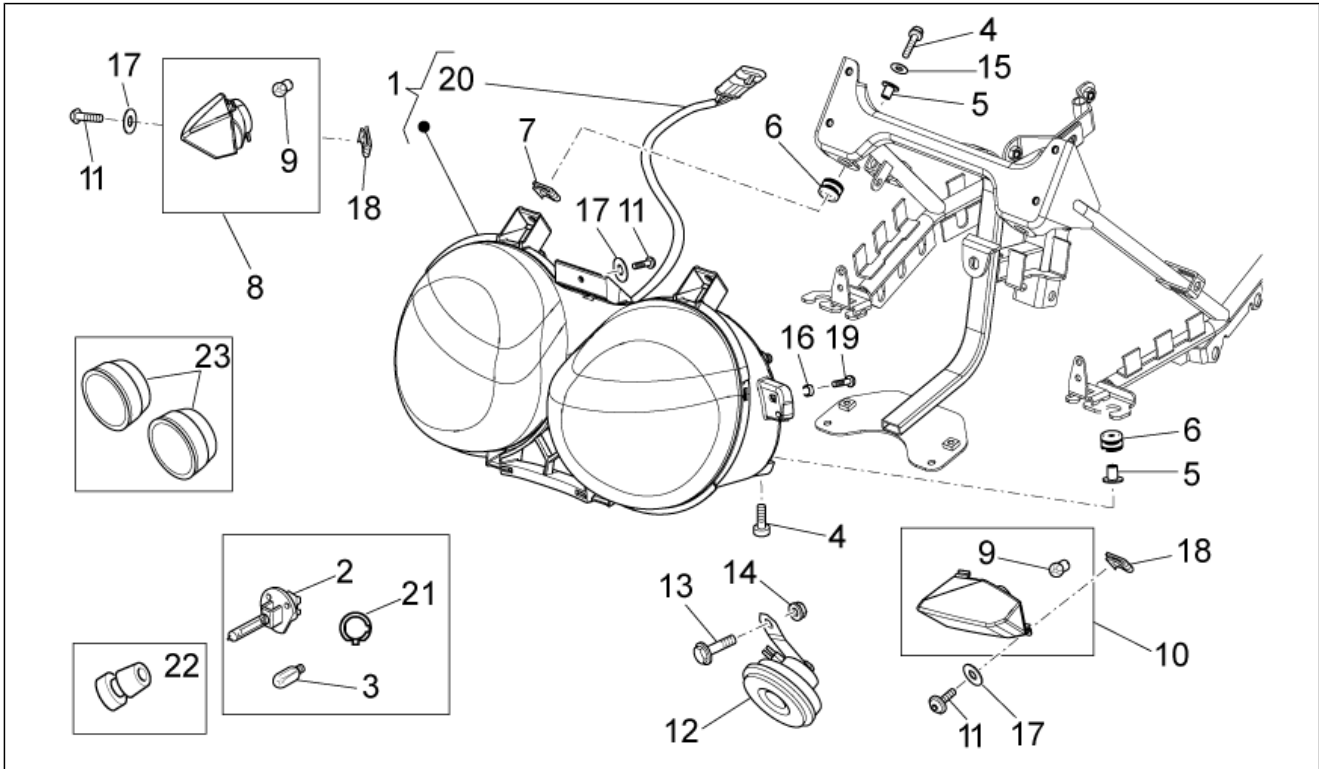
Pos.	Code	Description	Qty	Variants
1	978414	Rear brake caliper, black	1	
2	AP8152320	Screw w/ flange	2	
3	GU05654630	Pads pair	1	
4	GU05659130	Pin+split pin	1	
5	GU05659030	Spring	1	
6	AP8202238	Cable-guide hook	4	
7	AP8201808	Cable-guide D8	5	

Group	FRAME
Code	33.39
Description	ABS Brake system 2010
Service	1



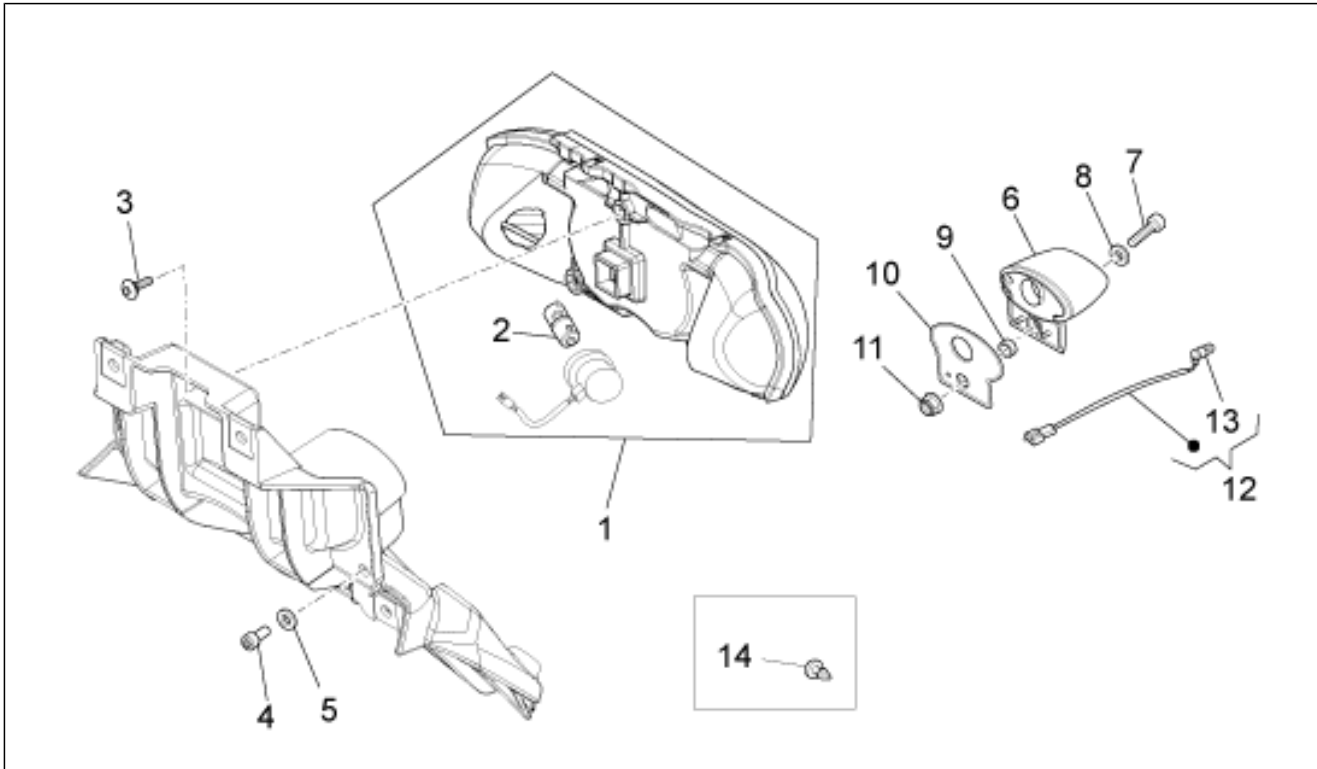
Pos.	Code	Description	Qty	Variants
1	886162	Front brake line	1	Technical specification:
2	886164	Front brake line	1	Technical specification:
3	886149	Maintenance	1	Technical specification:
4	895351	ECU ABS	1	Technical specification:
5	886163	Rear brake line	1	Technical specification:
6	886165	Rear brake line	1	Technical specification:
7	AP8113003	Oil pipe screw *	2	Technical specification:
8	AP8113004	Washer 10x14x1,6*	10	Technical specification:
9	AP8133945	Bleeder kit	3	Technical specification:
10	AP8113070	Bleed valve cap	3	Technical specification:
11	AP8120030	Rubber spacer	3	Technical specification:
12	AP8221023	T bush	3	Technical specification:
13	AP8121032	Bush	1	Technical specification:
14	AP8152277	Screw w/ flange M6x12	2	Technical specification:
15	AP8201417	Cable-guide	1	Technical specification:
16	GU98230625	Hex socket screw M6x25	1	
17	GU98350320	Hex socket screw M6x20	2	

Group	FRAME
Code	33.40
Description	Headlight/Horn
Service	1



Pos.	Code	Description	Qty	Variants
1	887029	Front headlight assy	1	
1	887820	Front headlight assy	1	Country:Australia[AUS], Great Britain[GB]
2	292723	Lamp H4 60/55W 12V	2	
3	292022	Lamp 12V-5W	2	
4	GU98680225	Hex socket screw M5x25	2	
5	AP8221023	T bush	4	
6	AP8120030	Rubber spacer	4	
7	248419	Spring plate m5	4	
8	978428	RH front turn indicator	1	
9	584332	Lamp 12V-10W	2	
10	978427	LH front turn indicator	1	
11	GU98682116	screw	3	
12	886325	Horn	1	
13	AP8152279	Screw w/ flange M6x20	1	
14	AP8152299	Self-locking nut M6	1	
15	GU95129100	Spring washer 5,3X10X0,5	2	
16	GU91120507	Bush	2	
17	GU95008205	Washer 5,3x10x0,8	3	
18	AP8102381	Clip M4	2	
19	GU98680125	screw M4x25	2	
20	899522	Headlight wiring w/harness	1	
21	887821	Oscuratore per proiettore	1	Country:Australia[AUS], Great Britain[GB]
22	2R000006	Bulb socket	2	
23	2R000007	***HEADLIGHT LAMP PROTECTION CAP	2	

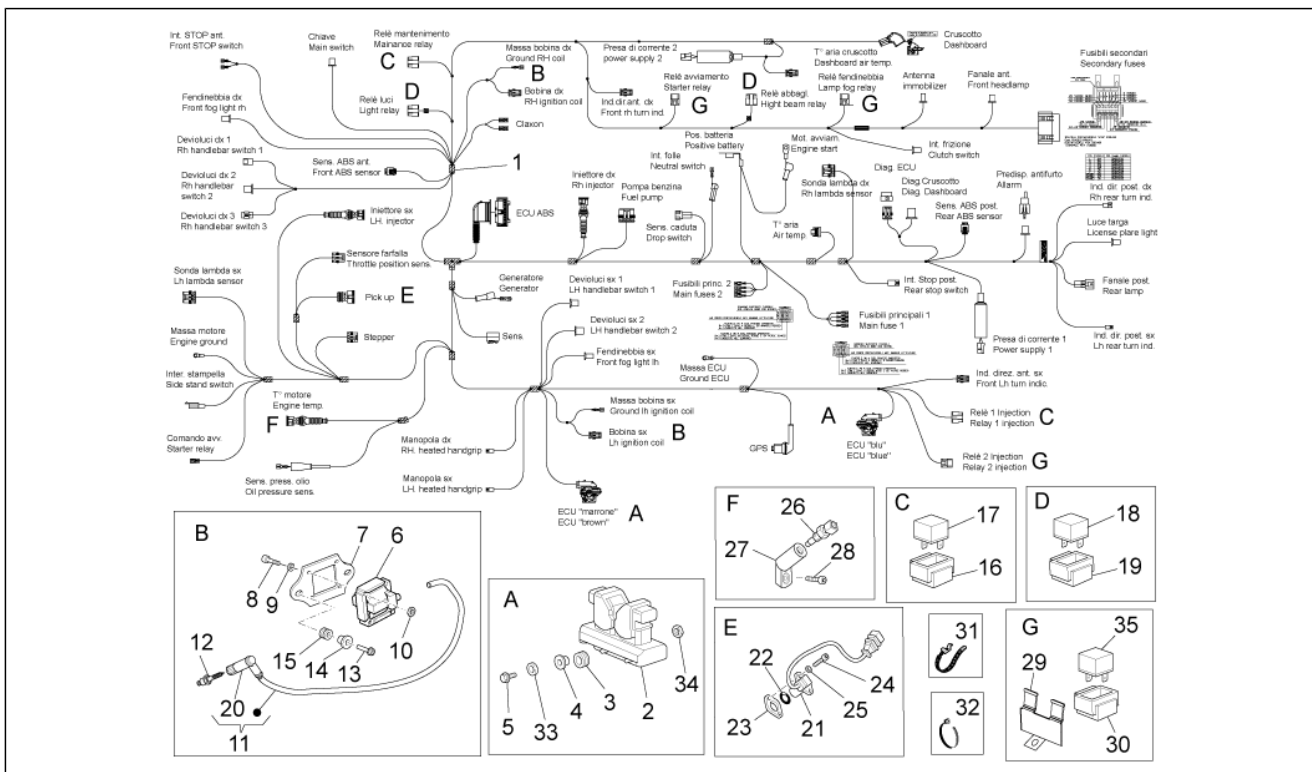
Group	FRAME
Code	33.41
Description	Taillight
Service	1



Pos.	Code	Description	Qty	Variants
1	897886	Taillight	1	
2	584332	Lamp 12V-10W	2	
3	AP8152302	Screw w/ flange M5x12	1	
4	GU98692210	Hex socket screw	2	
5	GU95100059	Washer 5,25x14x1,5	2	
6	AP8127098	Number-plate light	1	
7	GU98680225	Hex socket screw M5x25	1	
8	GU95008205	Washer 5,3x10x0,8	1	
9	GU91120507	Bush	1	
10	GU32474710	Support rubber part	1	
11	AP8152306	Self-locking nut m5	1	
12	977795	Plate light wiring	1	
13	292022	Lamp 12V-5W	1	
14	GU93180072	Rubber spacer	2	



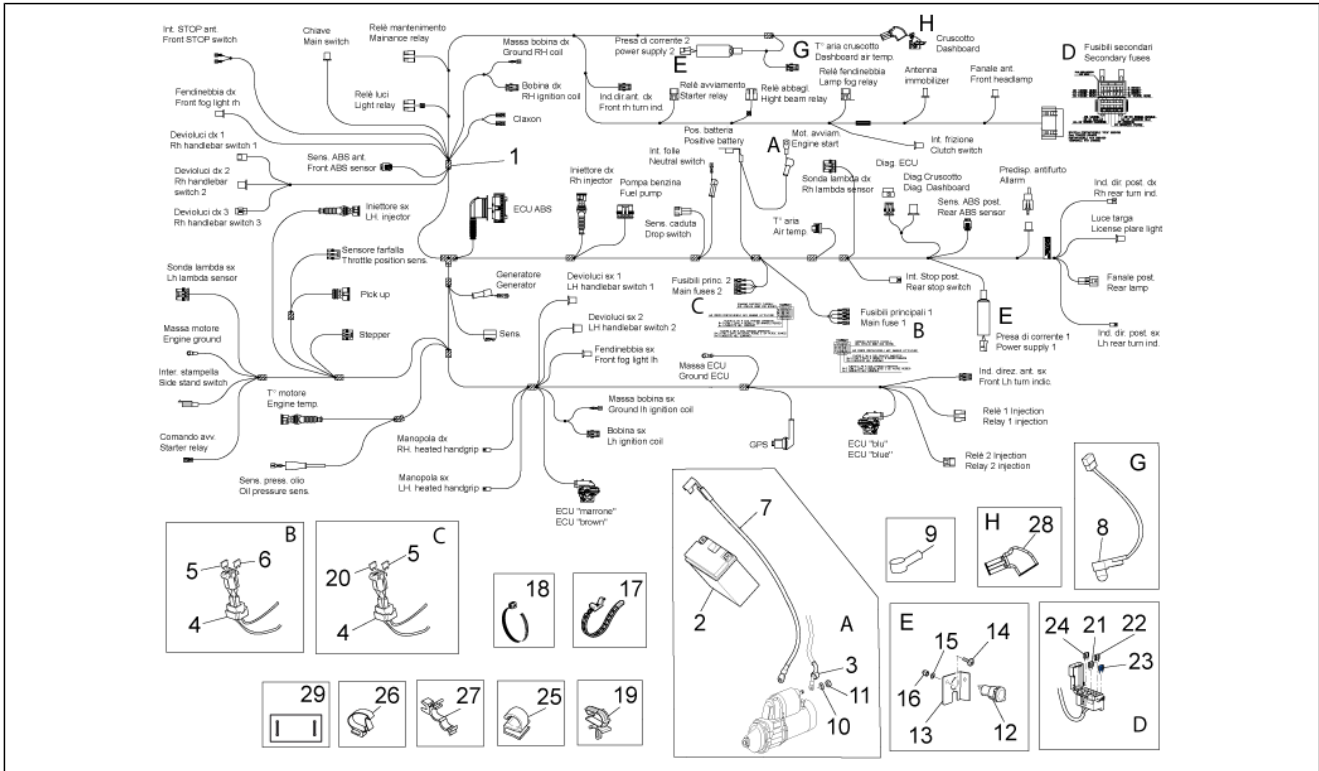
Group	FRAME
Code	33.42
Description	Electrical system I
Service	1



Pos.	Code	Description	Qty	Variants
23	GU29722760	Gasket 0,5 mm	1	
24	GU98682212	Hex socket screw M5x12	2	
25	GU95008205	Washer 5,3x10x0,8	2	
26	GU29729461	Oil temperature sensor	1	
27	976556	Sensor support	1	
28	GU98683520	Hex socket screw M10x20	1	
29	883148	plate	1	
30	AP8220283	Rubber spacer *	3	
31	GU06609600	Hose clamp	9	
32	GU14609650	Hose clamp 3,6x20,6	23	
32	GU49609601	Hose clamp 2,4x92	5	
32	GU93304360	Hose clamp 7,6x380	2	
32	GU93304390	Hose clamp 3,6x375	2	
33	GU95100059	Washer 5,25x14x1,5	2	
34	AP8152306	Self-locking nut m5	2	
35	AP8224462	Relay 12V/30A	3	

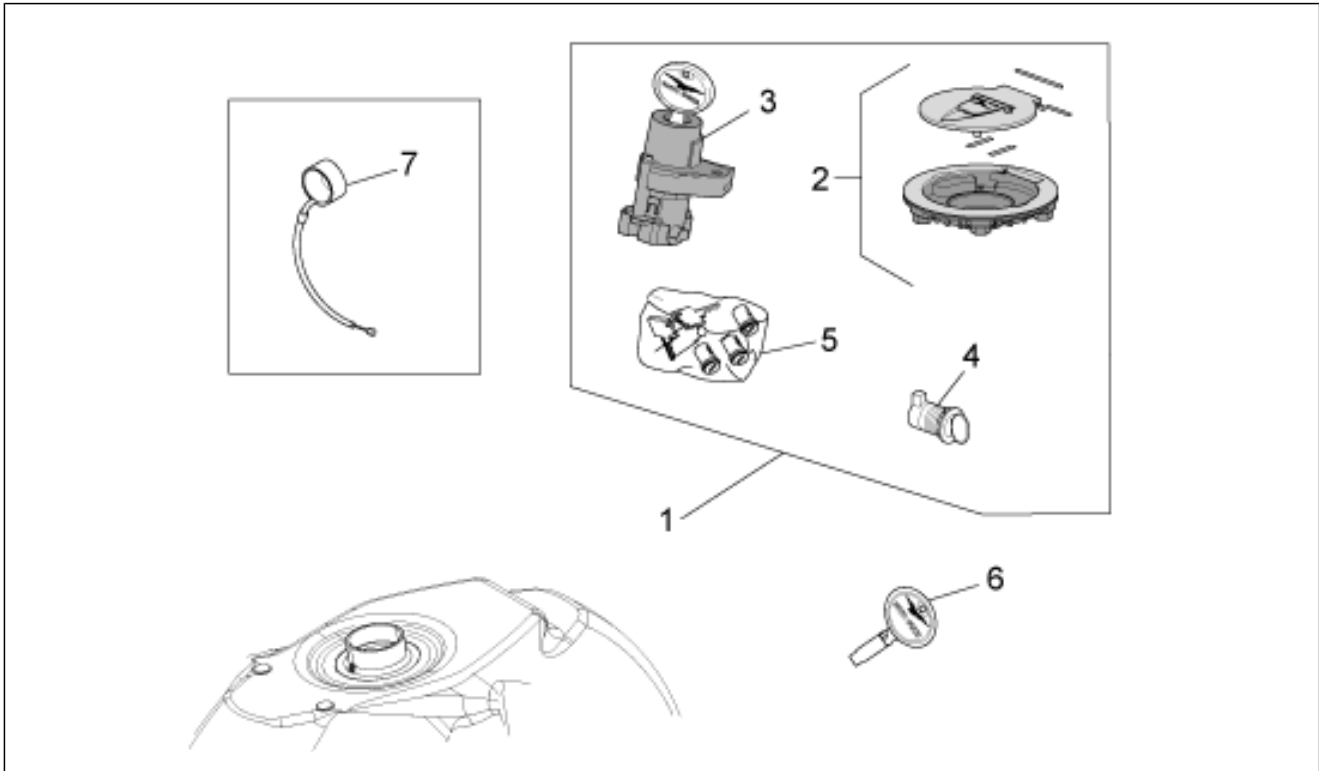


Group	FRAME
Code	33.43
Description	Electrical system II
Service	1



Pos.	Code	Description	Qty	Variants
1	899505	Main wiring harness	1	Technical specification:
2	GU05704531	Battery 12V-20Ah	1	
3	977916	Insulating cap	1	
4	AP8112811	Rubber fuse box	2	
5	CM225730	Fuse 30A	2	
6	CM225740	Fuse 40A	2	
7	GU06747900	Ground-battery lead	1	
8	AP8124936	Air temp. Sensor	1	
9	581061	Cap	1	
10	GU95129131	Washer 8,4x15x1,7	1	
11	GU92609408	Nut M8x1,25	1	
12	AP8124768	Socket	2	
13	886911	Support plate	1	
14	GU98350210	Hex socket screw	2	
15	GU95008205	Washer 5,3x10x0,8	2	
16	GU92787205	Cap nut	2	
17	GU06609600	Hose clamp	9	
18	640879	Hose clamp 2,7x132	2	
18	GU14609650	Hose clamp 3,6x20,6	23	
18	GU49609601	Hose clamp 2,4x92	5	
18	GU93304390	Hose clamp 3,6x375	2	
19	AP8221310	Cable-guide	4	
20	CM225720	Fuse 20A	2	
21	CM225610	Fuse 10A	4	
22	CM225615	Fuse 15A	3	
23	CM225603	Fuse 3A	2	
24	CM225605	Fuse 5A	2	
25	AP8201727	Black cable guide	1	

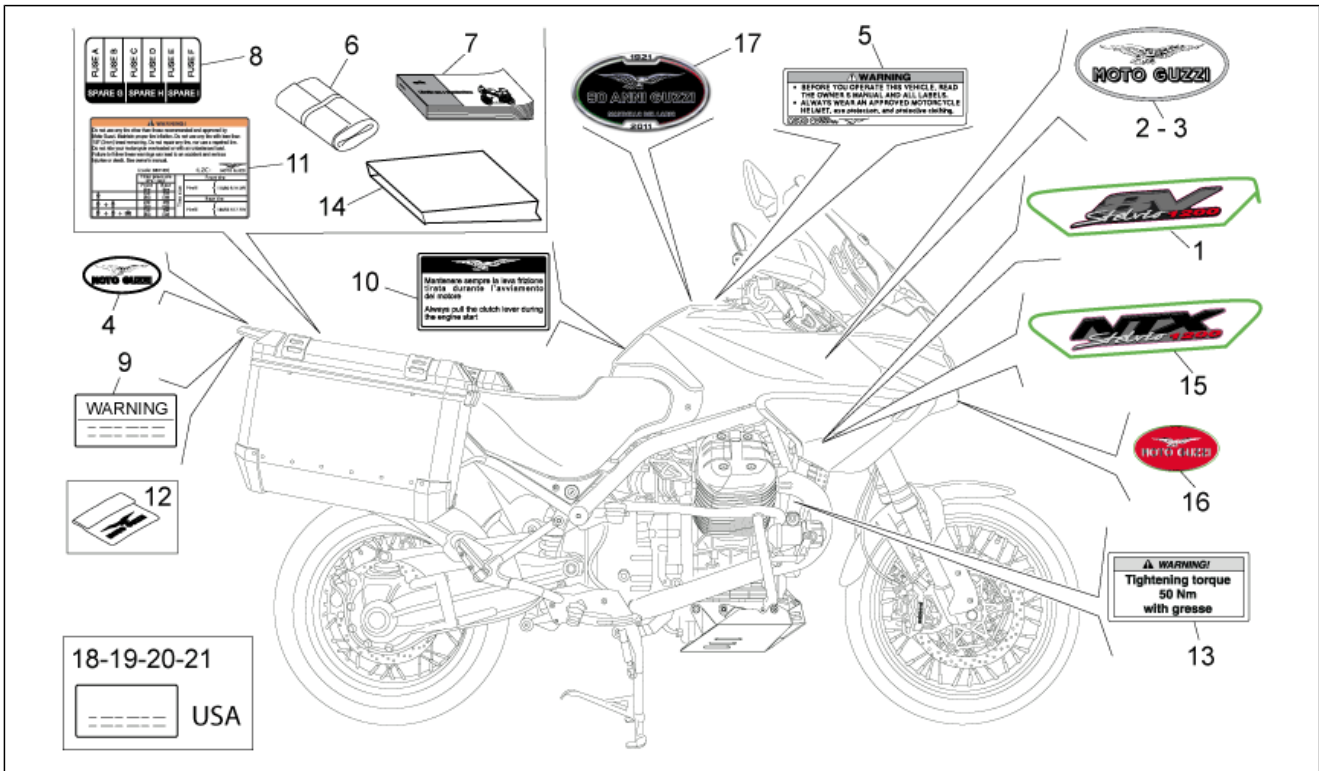
Group	FRAME
Code	33.44
Description	Lock hardware kit
Service	1



Pos.	Code	Description	Qty	Variants
1	977666	Lock kit	1	Country:Australia[AUS], Canadian[CA], Europe[EU], Great Britain[GB]
1	B063858	Lock kit	1	Country:United States of America[USA]
2	B063859	Main switch - steering lock	1	Country:United States of America[USA]
2	GU05103930	Tank cap	1	
3	GU05782530	Main switch - steering lock	1	Country:Australia[AUS], Canadian[CA], Europe[EU], Great Britain[GB]
4	GU05466830	Saddle lock	1	
5	978220	Rotor kit with key	1	
6	977918	Non indented key blank	1	
7	981087	Immobilizer antenna	1	



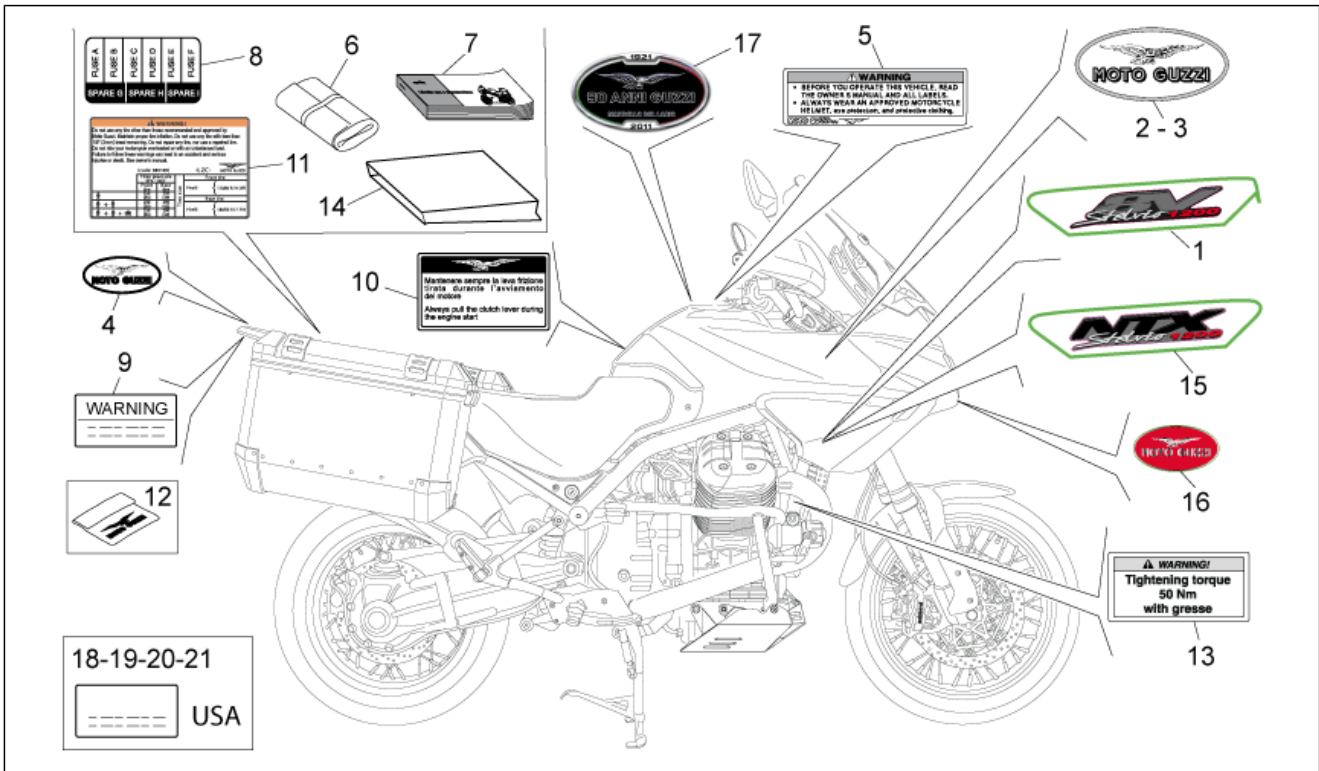
Group	FRAME
Code	33.45
Description	Plate set-decal-op.handbooks
Service	1



Pos.	Code	Description	Qty	Variants
1	886907	Decal "Stelvio 1200 8V"	2	Technical specification: Standard Version[Std]
2	GU06917400	LH Name plate,red/gold AL	1	
3	GU06917300	RH Name plate,red/gold AL	1	
4	977303	"Moto Guzzi" dataplate	1	
5	GU30944300	Decal "Attention"	1	
6	978882	Toolkit	1	
7	897241	Operator's handbook I-F-D-E-NL-UK	1	
7	B043198	Operator's handbook	1	Country: Canadian[CA], United States of America[USA]
8	978647	Sticker "schema fusibili"	1	
9	AP8157631	Name plate	1	
10	GU05944930	Decal Engine Start	1	
11	883776	Tyre pressure decal	1	
12	GU30970200	Bike cover	1	
13	GU05944530	Decal Warning	1	
14	GU05900130	Bag for document	1	
15	886906	Decal "Stelvio 1200 NTX"	2	Technical specification: NTX version[NTX]
15	B063045	Decal "Stelvio 1200 NTX"	2	Vehicle colour: Verde Raptor Opaco (s.t.B063041)[green] Country: United States of America[USA] Technical specification: NTX version[NTX]
15	B063314	Decal "Stelvio 1200 NTX"	2	Vehicle colour: Arancio rame (s.t.886902)[ar] Country: United States of America[USA] Technical specification: NTX version[NTX]
16	886905	"Moto Guzzi" dataplate	1	
17	886944	Decal "90 Anni Guzzi"	1	
18	2L000172	Emission control sticker	1	Year: 2014[E] Country: Canadian[CA], United States of America[USA]
18	884319	Emission control sticker	1	Year: 2013[D] Country: Canadian[CA], United States of America[USA]
18	887450	Emission control sticker	1	Year: 2011[B], 2012[C] Country: Canadian[CA], United States of America[USA]

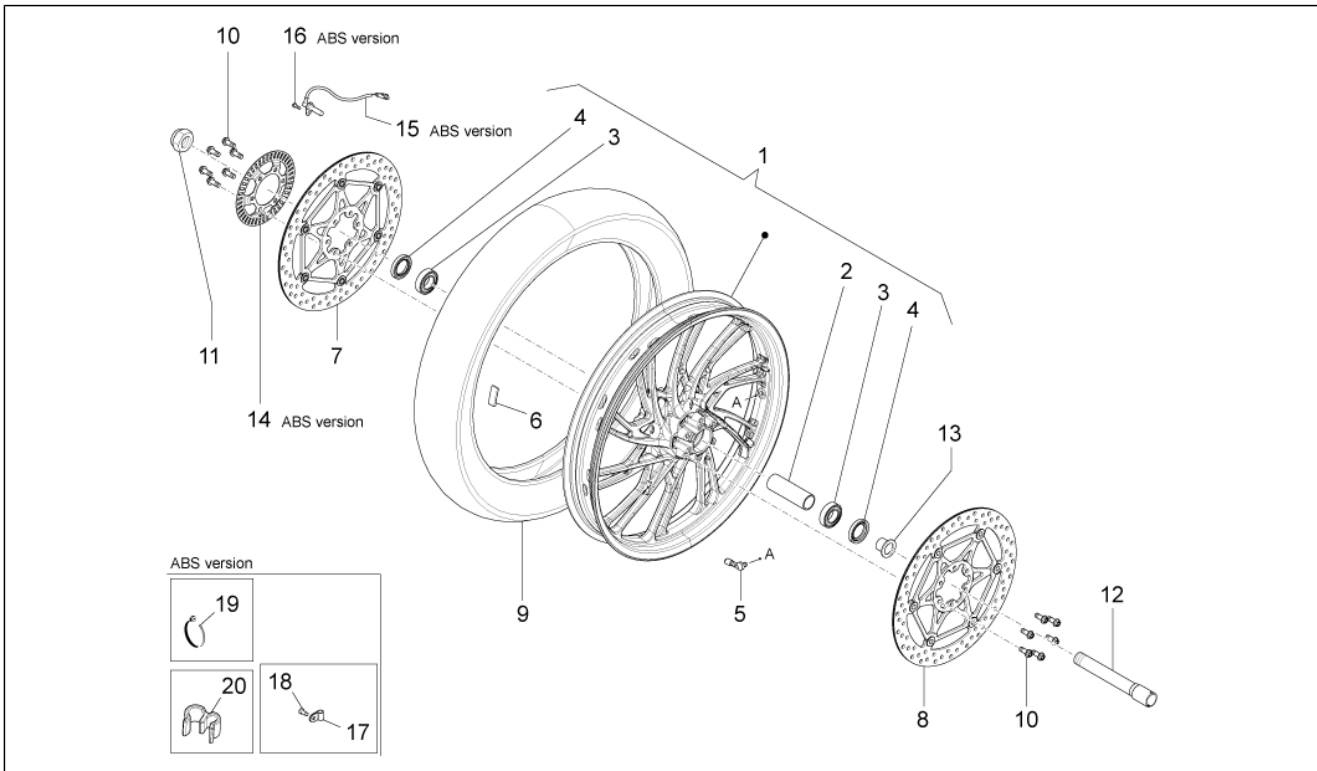


Group	FRAME
Code	33.45
Description	Plate set-decal-op.handbooks
Service	1



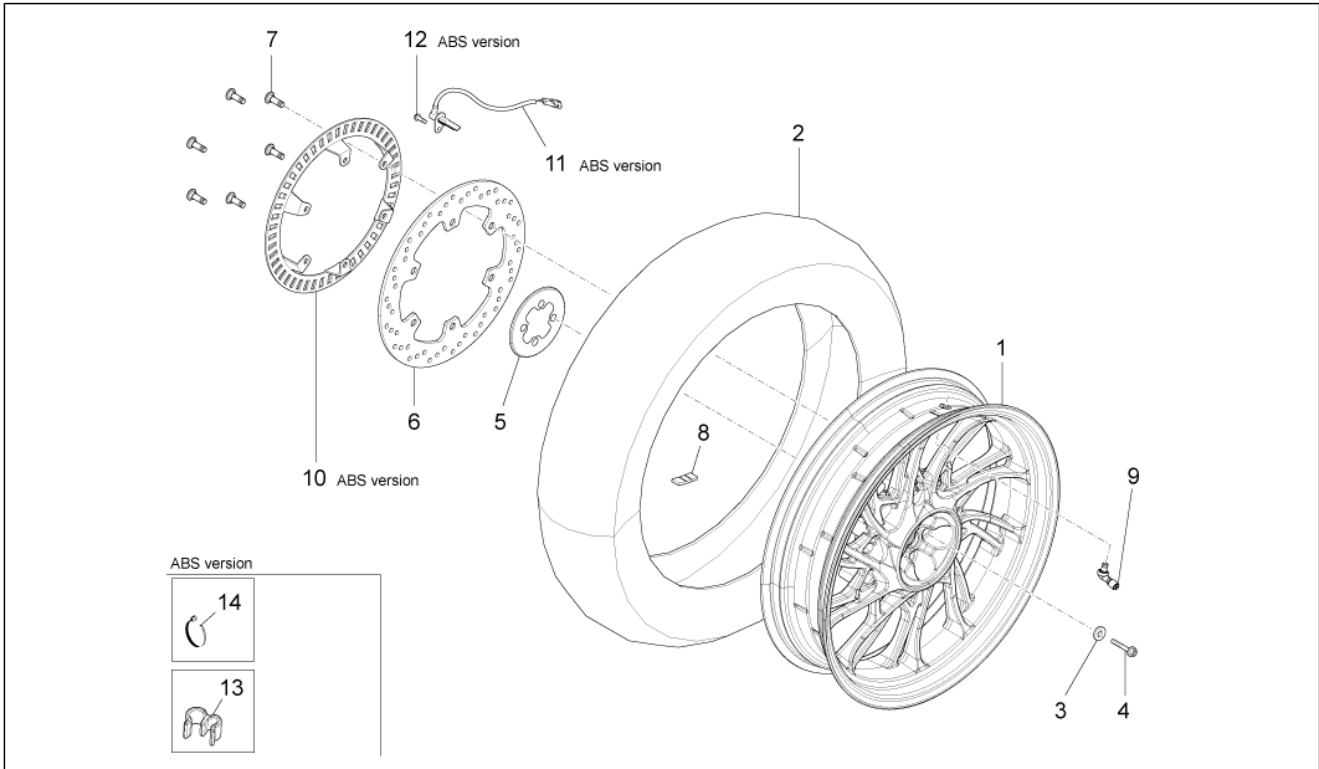
Pos.	Code	Description	Qty	Variants
19	2L000173	Shed scheme decal	1	Year:2014[E] Country:Canadian[CA], United States of America[USA]
19	884320	Shed scheme decal	1	Year:2013[D] Country:Canadian[CA], United States of America[USA]
19	887451	Shed scheme decal	1	Year:2011[B], 2012[C] Country:Canadian[CA], United States of America[USA]
20	2L000171	Noise emission sticker	1	Year:2014[E] Country:Canadian[CA], United States of America[USA]
20	884318	Noise emission sticker	1	Year:2013[D] Country:Canadian[CA], United States of America[USA]
20	887452	Noise emission sticker	1	Year:2011[B], 2012[C] Country:Canadian[CA], United States of America[USA]
21	B063226	Tyre pressure decal	1	Country:Canadian[CA], United States of America[USA]

Group	FRAME
Code	33.46
Description	Front wheel II
Service	1



Pos.	Code	Description	Qty	Variants
1	897629	Wheel	1	
2	978516	Spacer	1	
3	AP8125777	Ball bearing 25x47x12	2	
4	AP8125773	Gasket ring 30x47x7	2	
5	GU03617710	Tubeless tyre valve	1	
6	GU14616150	Counterweight	1	
7	896011	Front brake disc DX	1	
8	896012	Front brake disc SX	1	
9	886311	Front tyre 110/80 R19	1	
10	AP8152286	Screw w/ flange M8x20	12	
11	GU01612190	Nut	1	
12	978030	Front wheel spindle	1	
13	GU06616300	Spacer	1	
14	AP8128189	Wheel speed sensor, left front	1	Technical specification:
15	859792	Sensor ABS	1	Technical specification:
16	AP8152273	Screw w/ flange M5x16	1	Technical specification:
17	859777	Fairlead	1	Technical specification:
18	AP8201749	Screw M4x6	1	Technical specification:
19	GU49609601	Hose clamp 2,4x92	1	Technical specification:
20	894704	Fairlead	3	Technical specification:

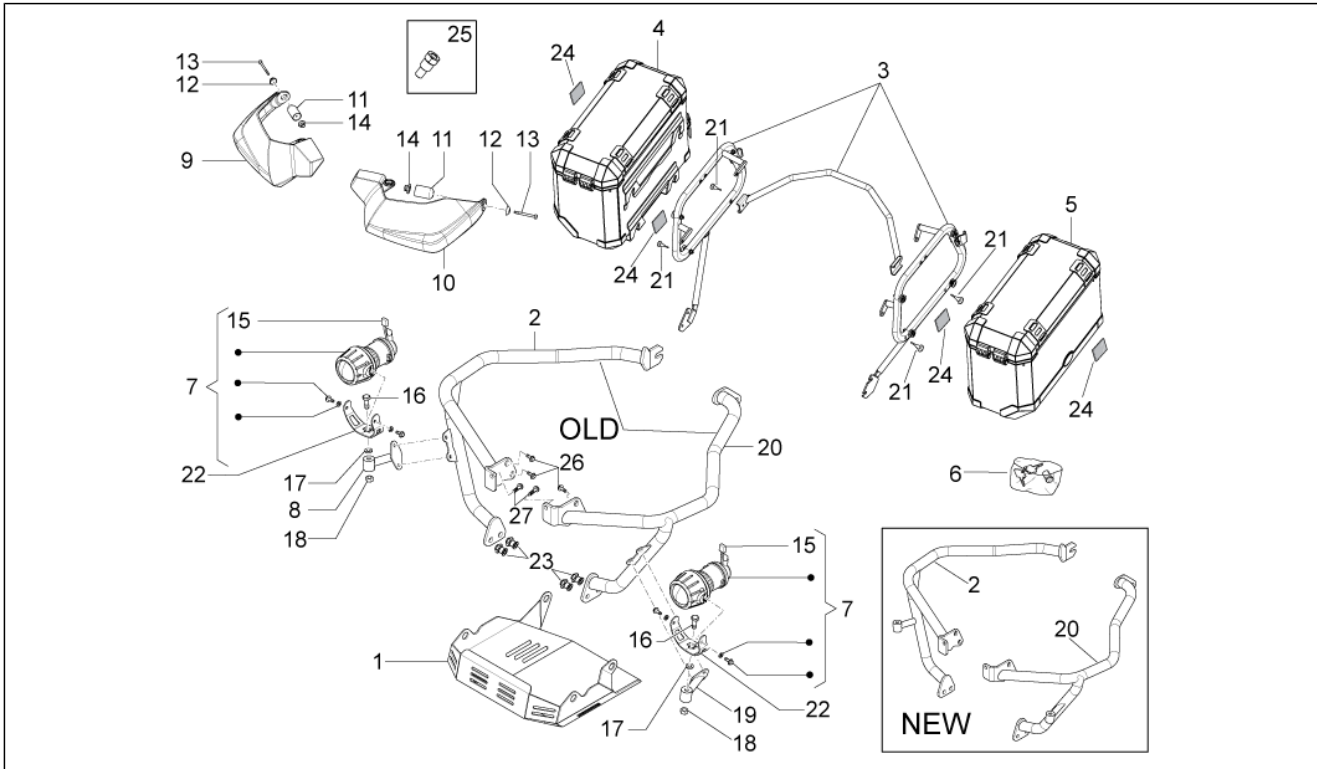
Group	FRAME
Code	33.47
Description	Rear wheel II
Service	1



Pos.	Code	Description	Qty	Variants
1	897631	Wheel rim	1	
2	886312	Rear tyre 150/70 R17	1	
3	GU05632730	Conical bush	4	
4	GU97202665	Screw w/ flange M12x65	4	
5	977056	Dust cover ring	1	
6	GU05635730	Rear brake disc	1	
7	AP8152272	Screw w/ flange M5x12	6	Technical specification:
8	GU14616150	Counterweight	1	
9	GU03617710	Tubeless tyre valve	1	
10	GU05681530	Wheel speed sensor, left front	1	Technical specification:
11	GU05683730	Sensor	1	Technical specification:
12	598839	Screw w/ flange	1	Technical specification:
13	894704	Fairlead	4	Technical specification:
14	GU49609601	Hose clamp 2,4x92	1	Technical specification:

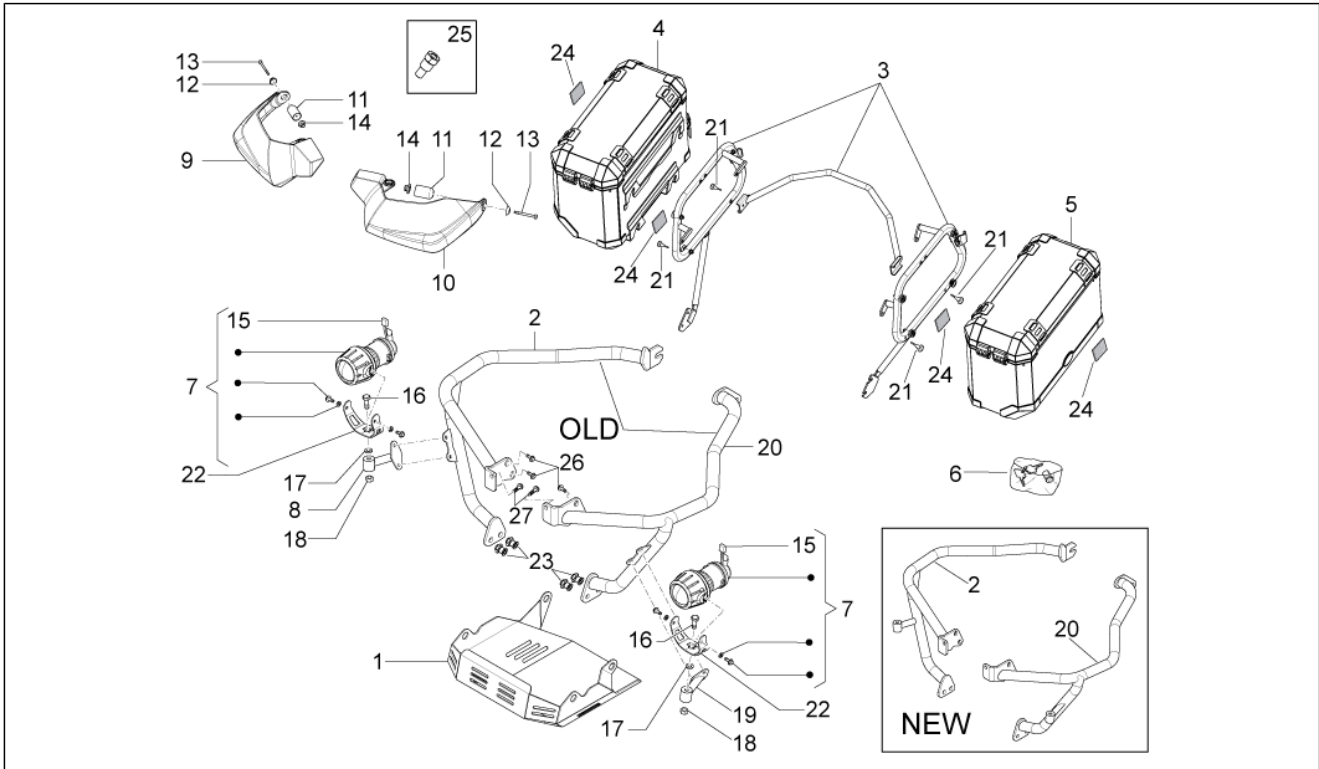


Group	FRAME
Code	33.66
Description	Special parts
Service	1



Pos.	Code	Description	Qty	Variants
1	883969	Sump guard	1	Technical specification:
2	886740	Paracilindri DX Old	1	Technical specification:
2	887458	Paracilindri DX New	1	Technical specification: NTX version[NTX]
3	981073	suitcase connect. Kit	1	Technical specification:
4	886929	RH suitcase	1	Technical specification:
5	886930	LH suitcase	1	Technical specification:
6	B064021	kit serratura coppia chiavi unificate	1	Technical specification:
7	883657	Fog headlight	2	Technical specification:
8	886738	Supporto faretto DX	1	Technical specification:
9	883254	RH handguard	1	Technical specification:
10	883253	LH handguard	1	Technical specification:
11	AP8104627	Anti.v weight, black	2	Technical specification:
12	AP8121819	Washer 6,5x12,5*	2	Technical specification:
13	AP8150342	Hex socket screw M6x70	2	Technical specification:
14	883134	Terminal	2	Technical specification:
15	883655	Headlight wiring w/harness	1	Technical specification: NTX version[NTX]
16	GU98692420	Hex socket screw M8x20	1	Technical specification: NTX version[NTX]
17	GU95005308	Washer 8,4x14,57x1,6	1	Technical specification: NTX version[NTX]
18	GU92630708	Nut	1	Technical specification: NTX version[NTX]
19	886739	Supporto faretto SX	1	Technical specification: NTX version[NTX]
20	886741	Paracilindri SX Old	1	Technical specification: NTX version[NTX]
20	887459	Paracilindri SX New	1	Technical specification: NTX version[NTX]
21	AP8120001	Rubber spacer	4	Technical specification:
22	883991	Staffa fissaggio fendinebbia	2	Technical specification:
23	887313	Spacer	4	Technical specification:
24	293556	Lateral reflector	4	Country: Australia[AUS] Technical specification: NTX version[NTX]
24	AP8706314	Reflector	4	Country: Canadian[CA], United States of America[USA] Technical specification: NTX version[NTX]

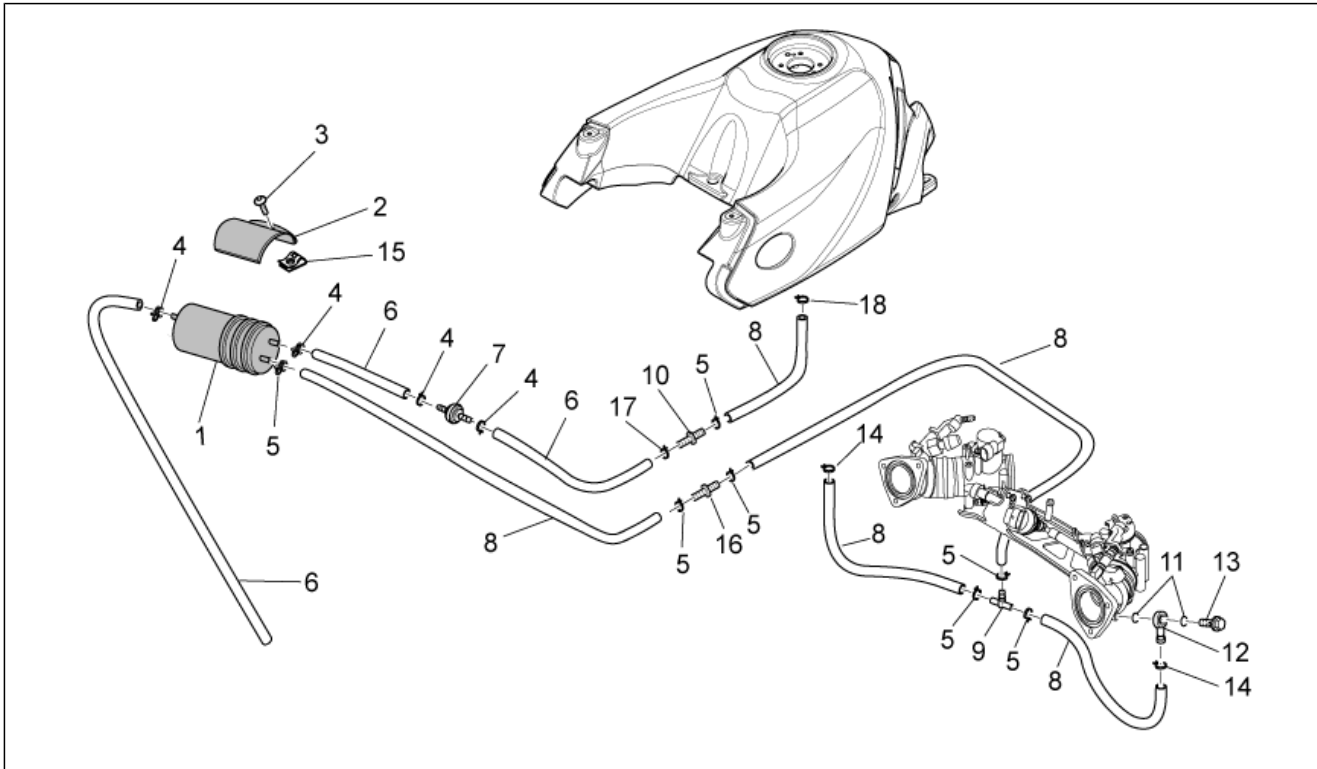
Group	FRAME
Code	33.66
Description	Special parts
Service	1



Pos.	Code	Description	Qty	Variants
25	884312	Mirror mounting clump	2	Country: United States of America[USA] Technical specification: NTX version[NTX]
26	GU98692525	Hex socket screw M10x25	4	Technical specification: NTX version[NTX]
27	GU98682416	Hex socket screw M8x16	2	Technical specification: NTX version[NTX]

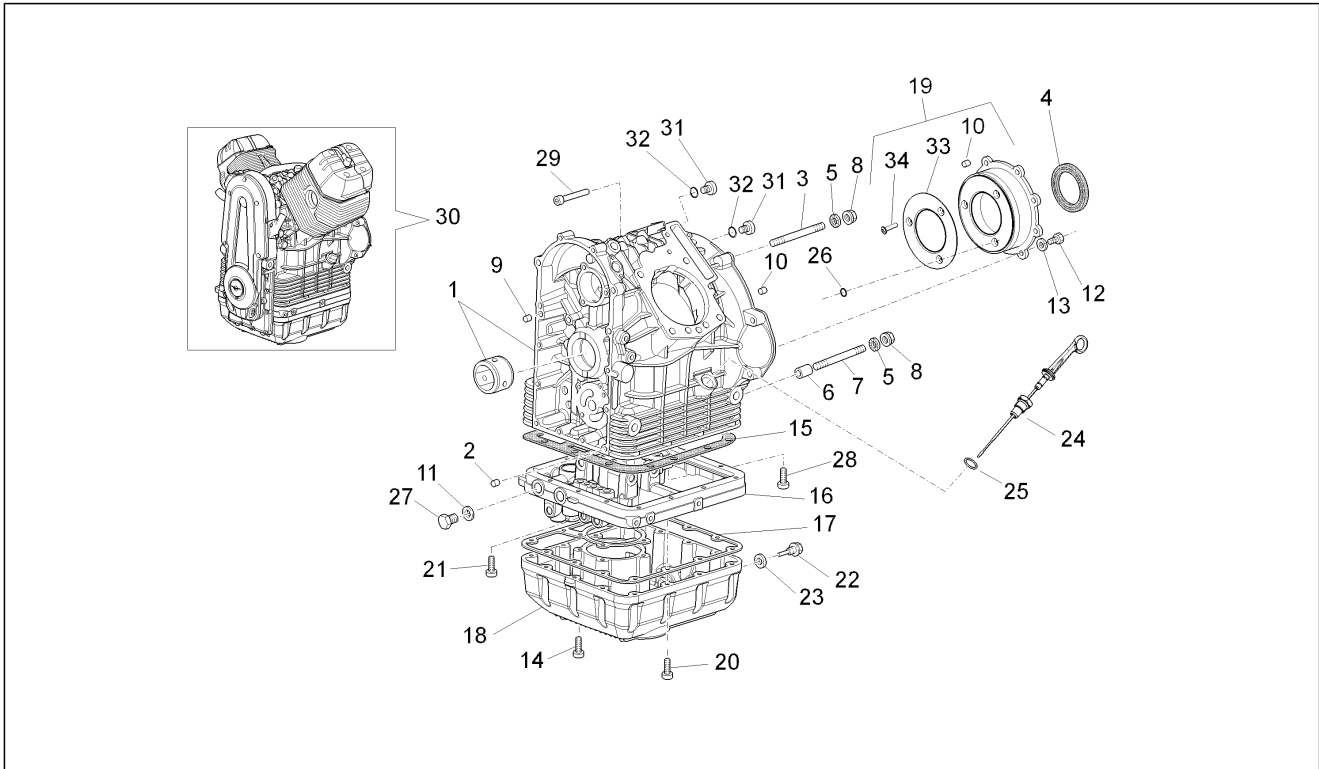


Group	FRAME
Code	33.69
Description	Fuel vapour recover system
Service	1



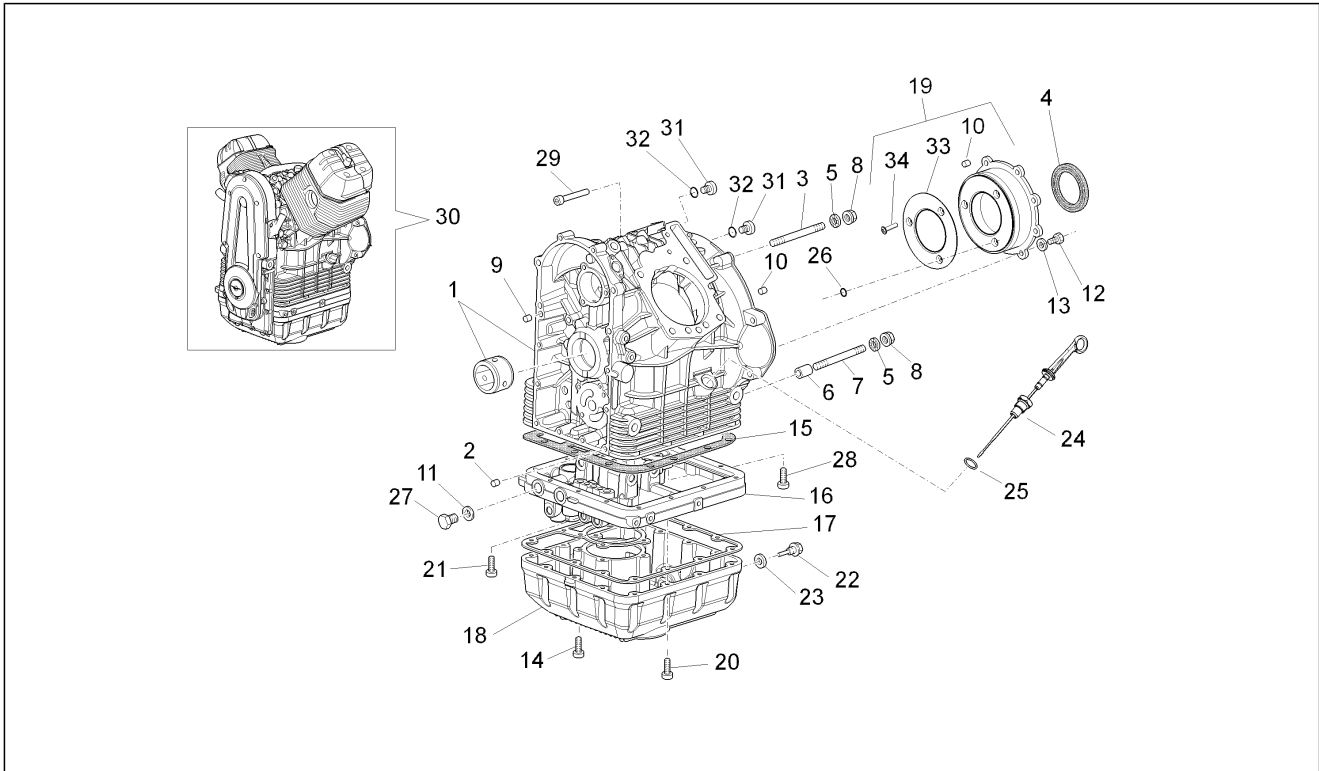
Pos.	Code	Description	Qty	Variants
1	AP8102678	Carbon filter	1	Country:Canadian[CA], United States of America[USA]
2	AP8134884	Canister support plate	1	Country:Canadian[CA], United States of America[USA]
3	AP8152277	Screw w/ flange M6x12	1	Country:Canadian[CA], United States of America[USA]
4	AP8102239	Hose clamp 12,5x8	6	Country:Canadian[CA], United States of America[USA]
5	AP8102738	Hose clamp	6	Country:Canadian[CA], United States of America[USA]
6	856063	pipe SAE 30 d.12,7x6,35	4	Country:Canadian[CA], United States of America[USA]
7	860138	Valve	1	Country:Canadian[CA], United States of America[USA]
8	856062	pipe SAE 30 d.11,11x4,8	3	Country:Canadian[CA], United States of America[USA]
9	AP8144303	3-way union	1	Country:Canadian[CA], United States of America[USA]
10	856330	Joint	1	Country:Canadian[CA], United States of America[USA]
11	GU90706009	O-ring 6x1	4	Country:Canadian[CA], United States of America[USA]
12	GU95963062	Joint	2	Country:Canadian[CA], United States of America[USA]
13	GU95990023	Bored screw	2	Country:Canadian[CA], United States of America[USA]
14	AP8102378	Hose clamp D11,3	2	Country:Canadian[CA], United States of America[USA]
15	GU28576592	Nut with clip M6	1	Country:Canadian[CA], United States of America[USA]
16	AP8121267	Choke hold	1	Country:Canadian[CA], United States of America[USA]
17	AP8102159	Hose clamp	1	Country:Canadian[CA], United States of America[USA]
18	AP8120446	Hose clip, green D11x6,6x1	1	Country:Canadian[CA], United States of America[USA]

Group	ENGINE
Code	34.46
Description	Crank-case I
Service	1



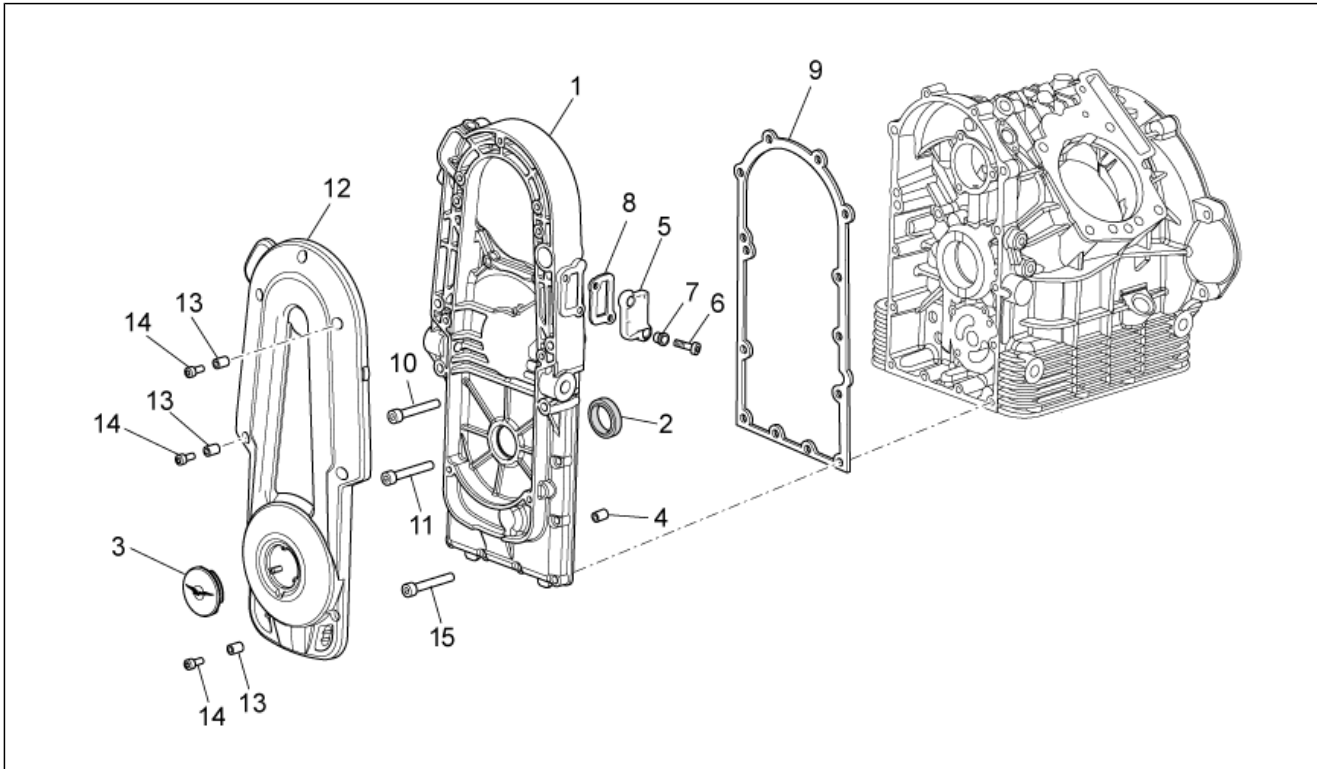
Pos.	Code	Description	Qty	Variants
1	880398	Crank-case	1	
2	411209	Pin	2	
3	GU96508066	Stud bolt M8X66	3	
4	GU90405367	Gasket ring	1	
5	GU14615901	Washer 8,4X13X0,8	5	
6	GU12018900	Coupling bush	2	
7	GU96508075	Stud bolt M8x75	2	
8	GU92660021	Flanged nut M8	5	
9	GU95512081	Pin	2	
10	560110	Pin	2	
11	GU01154230	Gasket	2	
12	GU98084425	Hex screw M8x25	8	
13	GU61270300	Spring washer 8x15x0,3	8	
14	GU98620335	screw M6x35	4	
15	GU01003651	Gasket	1	
16	879872	Flange	1	
17	GU05003630	Gasket	1	
18	879874	Pan oil	1	
19	976703	Complete flange	1	
20	AP4ADN000007	Hex socket screw	14	
21	GU98680360	Hex socket screw M6x60	2	
22	GU31003766	Oil unload plug M10x1	1	
23	GU01528930	Gasket 10x18x1,5	1	
24	883144	Oil level rod cpl.	1	
25	GU90706178	O-ring 17,86X2,62	1	
26	874980	O-ring 7,5X2	1	
27	GU95980216	Cover	2	
28	GU98680340	Hex socket screw M6x40	2	

Group	ENGINE
Code	34.46
Description	Crank-case I
Service	1



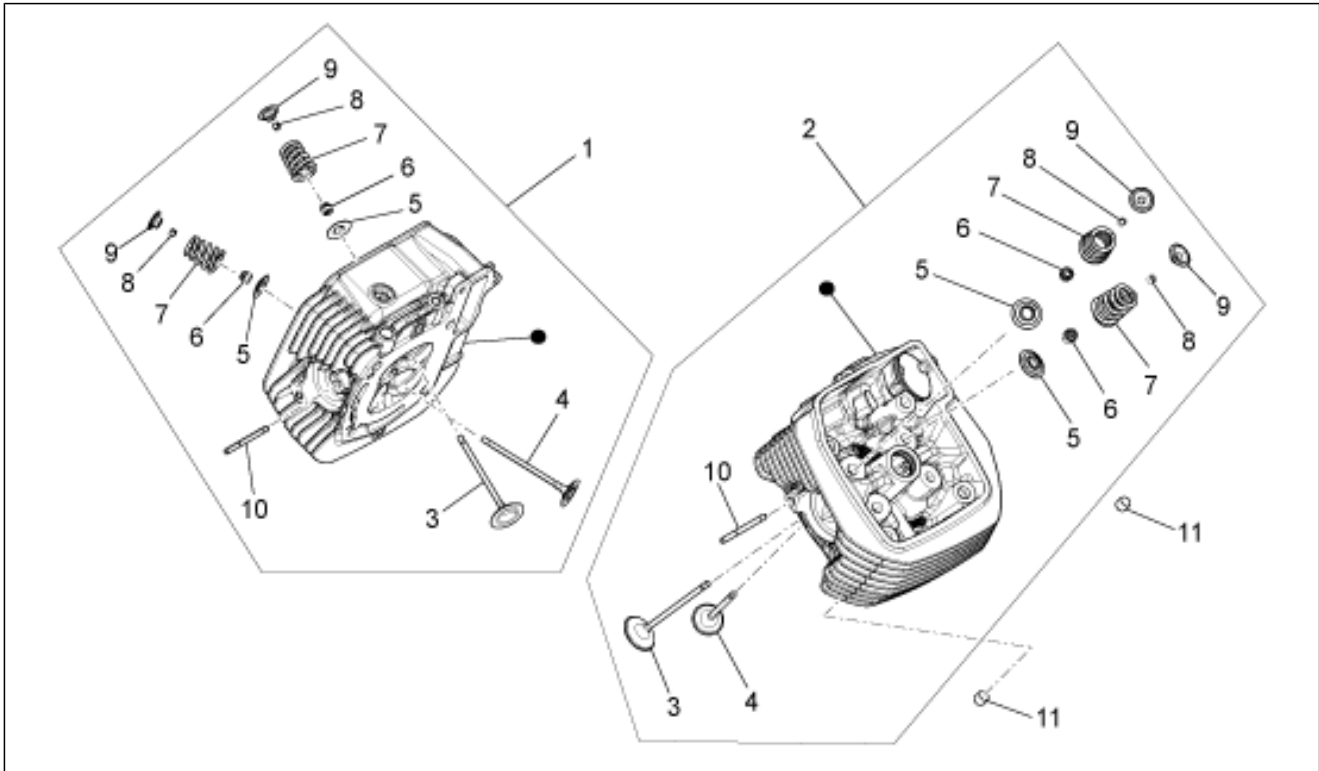
Pos.	Code	Description	Qty	Variants
29	AP8152291	Screw w/ flange	1	
30	9769795	Engine cpl.	1	Technical specification: Vecchia distribuzione[VD]
30	9769865	Engine cpl.	1	Technical specification: Nuova distribuzione a rullini[ND]
31	GU12022600	Oil plug	2	
32	GU90706203	O-ring 20,24X2,62	2	
33	874134	Disco recupero olio	1	
34	015935	TBCIC Screw M5x12	3	

Group	ENGINE
Code	34.47
Description	Crank-case II
Service	1



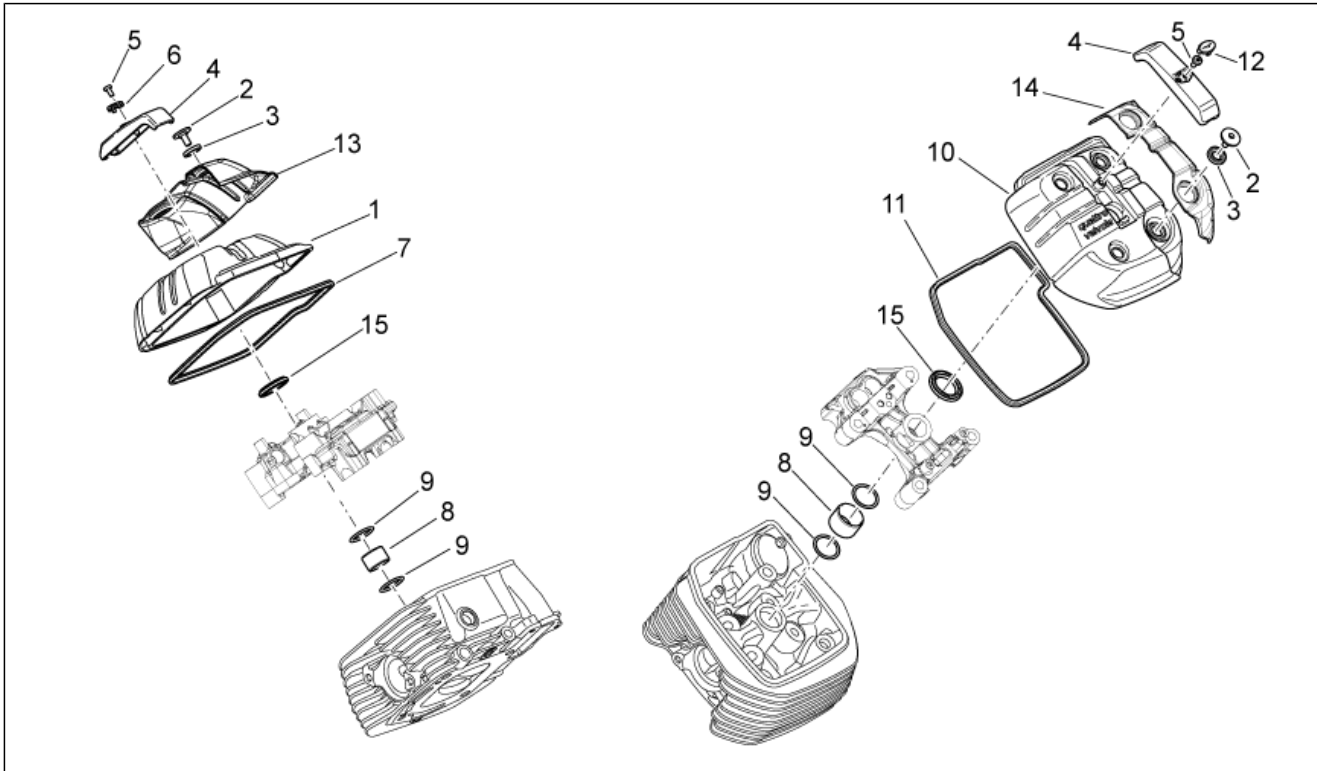
Pos.	Code	Description	Qty	Variants
1	879876	Timing system cover	1	
2	GU90412237	Gasket ring 22x35x7viton	1	
3	GU05002130	Cover	1	
4	825597	Pin 11,8X10	2	
5	976554	Cover	1	
6	GU98682320	Hex socket screw M6x20	2	
7	GU91120607	Bushing 6,4x8,4x10,5	2	
8	GU90706347	O-ring 34,65x1,78viton	1	
9	976478	Cover gasket	1	
10	AP8150046	Hex socket screw M8x55	4	
11	GU98682330	Hex socket screw M6x20	9	
12	GU05001630	Alternator cover grey	1	
13	GU91120606	Bushing 6,8x8,8x5,8	6	
14	GU98682316	Hex socket screw M6x16	5	
15	GU98620335	screw M6x35	1	

Group	ENGINE
Code	34.48
Description	Cylinder head - valves
Service	1



Pos.	Code	Description	Qty	Variants
1	B013808	RH cylinder head	1	
2	B013807	LH cylinder head	1	
3	872695	Intake valve	4	
4	872696	Exhaust valve	4	
5	874127	Lower cup	8	
6	436438	Valve gasket ring	8	
7	B013517	Valve spring	8	
8	285846	Valve half-cone	8	
9	874126	Upper cup	8	
10	827018	Exhaust pipe stud bolt M8X3X46	4	
11	825597	Pin 11,8X10	8	

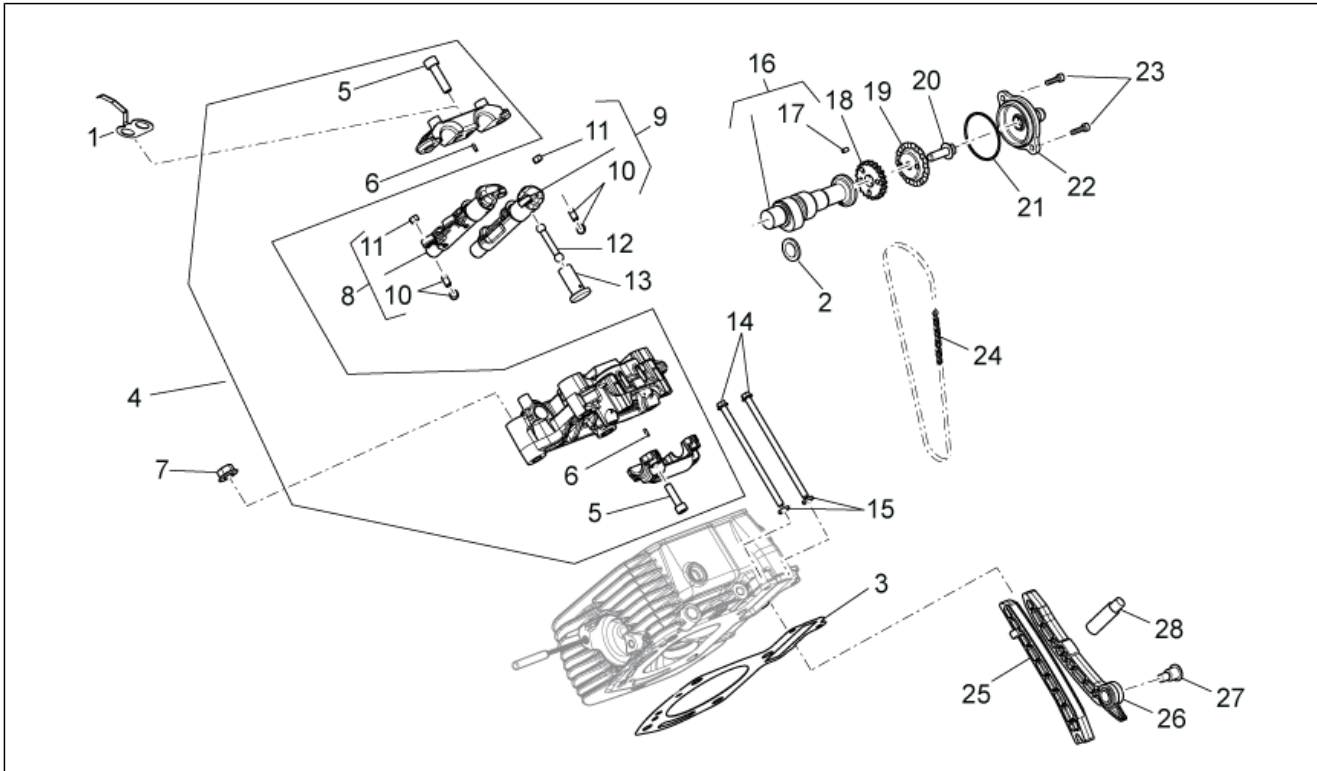
Group	ENGINE
Code	34.49
Description	Head cover
Service	1



Pos.	Code	Description	Qty	Variants
1	880124	RH Head cover	1	
2	976591	Special screw	8	
3	879975	Damper drift	8	
4	883493	Spark plug cover	2	
5	GU98230510	Hex socket screw	2	
6	976560	RH Name plate "Moto Guzzi"	1	
7	872742	RH gasket	1	
8	879987	Spark plug pipe	2	
9	873626	O-ring 26X2,5	4	
10	880123	LH Head cover	1	
11	872741	LH gasket	1	
12	976559	LH Name plate "Moto Guzzi"	1	
13	873654	RH cover	1	
14	872740	LH cover	1	
15	880127	Gasket	2	

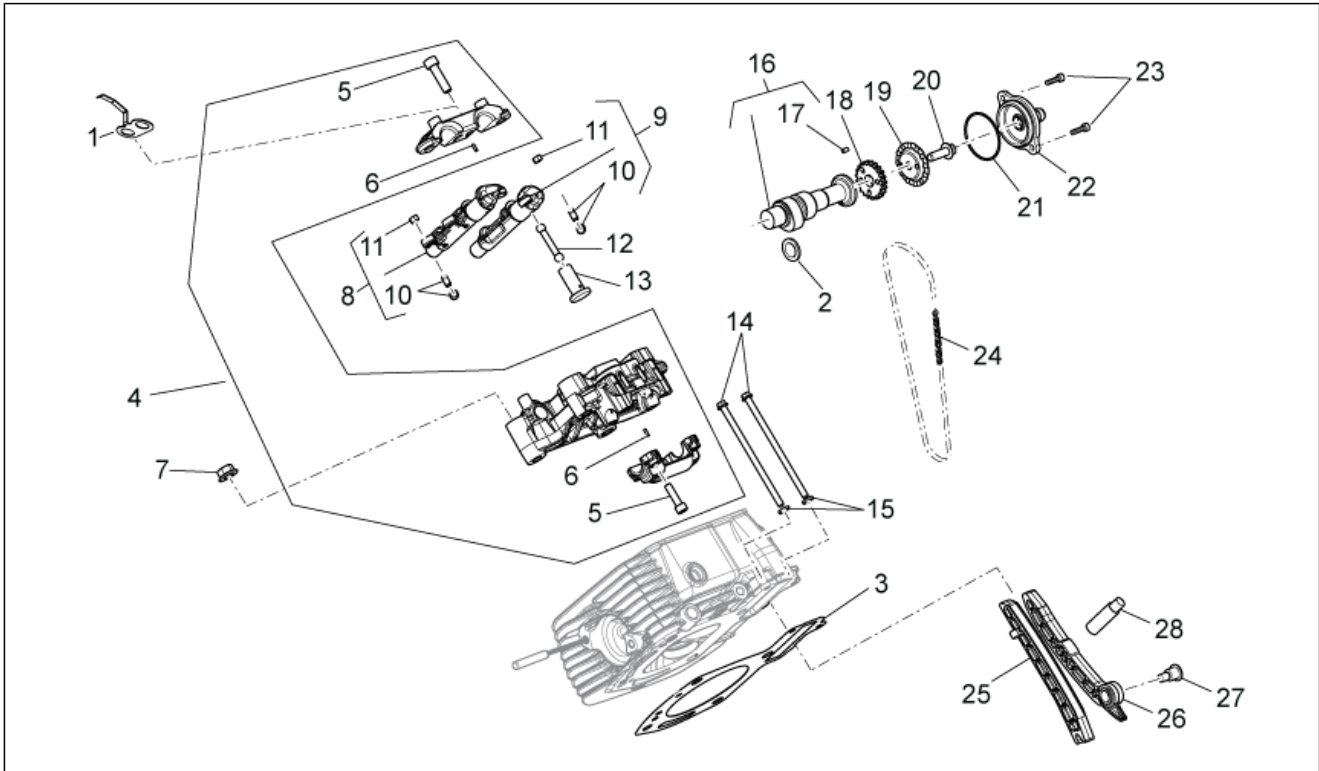


Group	ENGINE
Code	34.50
Description	RH cylinder timing system (bowl)
Service	1



Pos.	Code	Description	Qty	Variants
1	B013661	Plate	1	
2	CM162701	Spacer 1,06	1	
2	CM162702	Spacer 1,08	1	
2	CM162703	Spacer 1,10	1	
2	CM162704	Spacer 1,12	1	
2	CM162705	Spacer 1,14	1	
3	874621	Cylinder head gasket 0,65 mm	2	
3	874622	Cylinder head gasket 0,85 mm	2	
3	976311	Cylinder head gasket 1,05 mm	2	
4	880879	RH.Rocker arm support	1	
5	015792	screw M8x30	6	
6	872759	Pin D. 2,5	4	
7	833520	Nut M10X1,25 6H	4	
8	976359	Rocker arm assy.	1	Technical specification: Asta comando bilanciere old[OLD]
8	B013603	Bilanciere aspirazione sx scarico dx	1	Technical specification: Asta comando bilanciere new[NEW]
9	976360	Rocker arm assy.	1	Technical specification: Asta comando bilanciere old[OLD]
9	B013605	Bilanciere aspirazione dx scarico sx	1	Technical specification: Asta comando bilanciere new[NEW]
10	873850	Adjuster screw	4	Technical specification: Asta comando bilanciere old[OLD]
10	879707	Adjuster screw	4	Technical specification: Asta comando bilanciere new[NEW]
11	484819	Nut	4	Technical specification: Asta comando bilanciere old[OLD]
11	879916	Rocker arm adjuster nut	4	Technical specification: Asta comando bilanciere new[NEW]
12	873631	Rocker arm rod	2	Technical specification: Asta comando bilanciere old[OLD]
12	B015681	Rocker arm rod	2	Technical specification: Asta comando bilanciere new[NEW]
13	878751	Tappet closing	2	
14	487444	Screw w/ flange M6x120	2	
15	976674	Plain washer 12x6,1x2	2	
16	8792724	Camshaft	1	
17	976589	Pin	1	

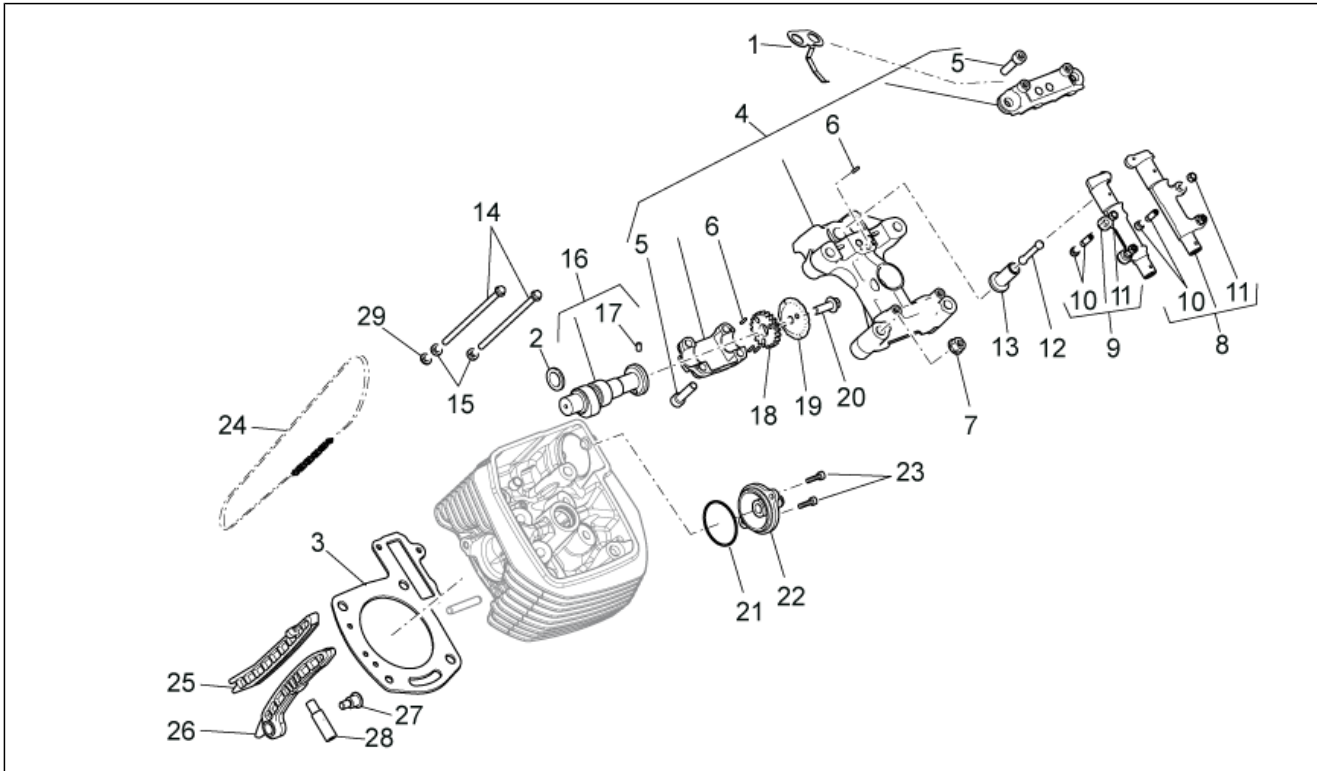
Group	ENGINE
Code	34.50
Description	RH cylinder timing system (bowl)
Service	1



Pos.	Code	Description	Qty	Variants
18	976350	Timing gear	1	
19	874601	sheet oil breather	1	
20	843060	Screw w/ flange	1	
21	880965	Gasket ring 2,62x46,52	1	
22	8013479	Breather cover cpl.	1	
23	875173	Torx convex big end screw	2	
24	976341	Camshaft chain	1	
25	976338	Chain guide plate	1	
26	976337	Chain tensioner sliding block	1	
27	878868	Spacer screw M8	1	
28	873689	RH chain tensioner	1	

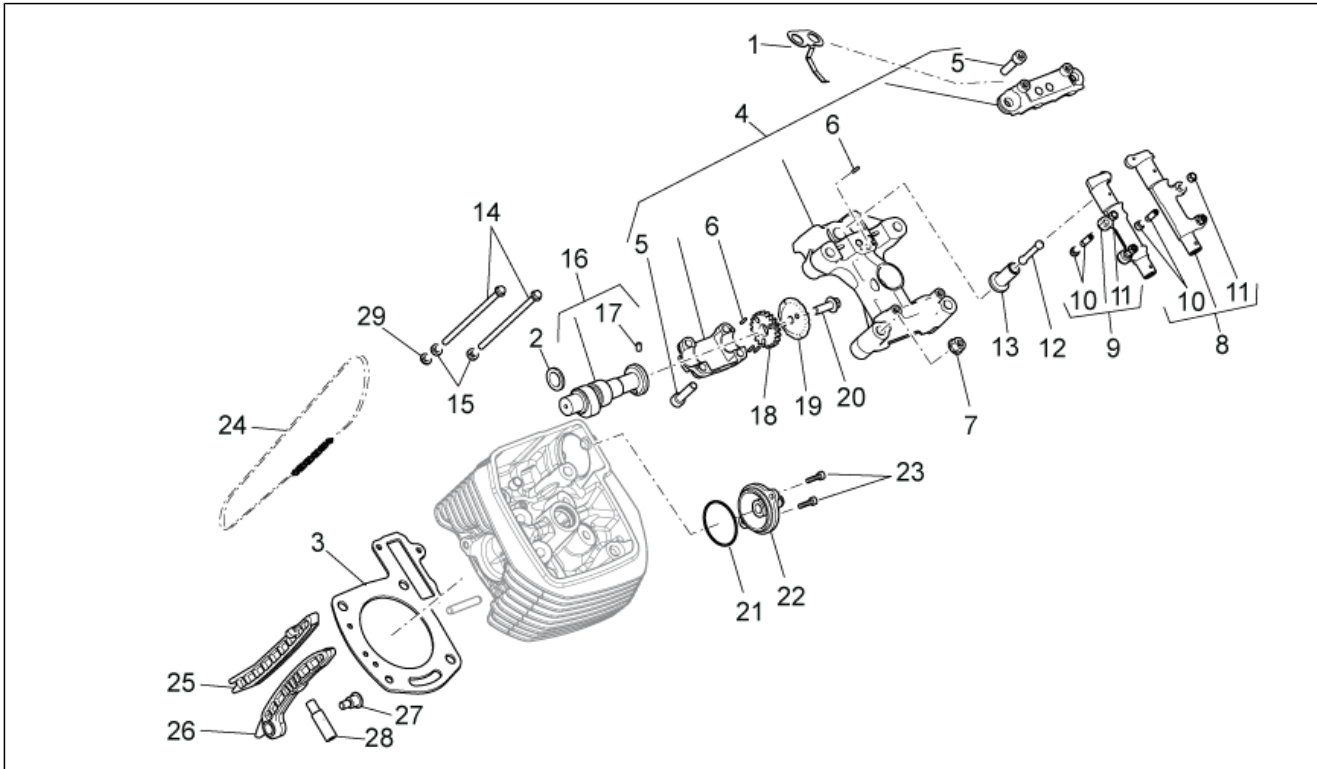


Group	ENGINE
Code	34.51
Description	LH cylinder timing system I
Service	1



Pos.	Code	Description	Qty	Variants
1	B013661	Plate	1	
2	CM162701	Spacer 1,06	1	
2	CM162702	Spacer 1,08	1	
2	CM162703	Spacer 1,10	1	
2	CM162704	Spacer 1,12	1	
2	CM162705	Spacer 1,14	1	
3	874621	Cylinder head gasket 0,65 mm	2	
3	874622	Cylinder head gasket 0,85 mm	2	
3	976311	Cylinder head gasket 1,05 mm	2	
4	880881	LH.Rocker arm support	1	
5	015792	screw M8x30	6	
6	872759	Pin D. 2,5	4	
7	833520	Nut M10X1,25 6H	4	
8	976359	Rocker arm assy.	1	Technical specification: Asta comando bilanciere old[OLD]
8	B013603	Bilanciere aspirazione sx scarico dx	1	Technical specification: Asta comando bilanciere new[NEW]
9	976360	Rocker arm assy.	1	Technical specification: Asta comando bilanciere old[OLD]
9	B013605	Bilanciere aspirazione dx scarico sx	1	Technical specification: Asta comando bilanciere new[NEW]
10	873850	Adjuster screw	4	Technical specification: Asta comando bilanciere old[OLD]
10	879707	Adjuster screw	4	Technical specification: Asta comando bilanciere new[NEW]
11	484819	Nut	4	Technical specification: Asta comando bilanciere old[OLD]
11	879916	Rocker arm adjuster nut	4	Technical specification: Asta comando bilanciere new[NEW]
12	873631	Rocker arm rod	2	Technical specification: Asta comando bilanciere old[OLD]
12	B015681	Rocker arm rod	1	Technical specification: Asta comando bilanciere new[NEW]
13	878751	Tappet closing	2	
14	487444	Screw w/ flange M6x120	2	
15	976674	Plain washer 12x6,1x2	2	
16	B014223	Camshaft axle with U.P.	1	
17	976589	Pin	1	

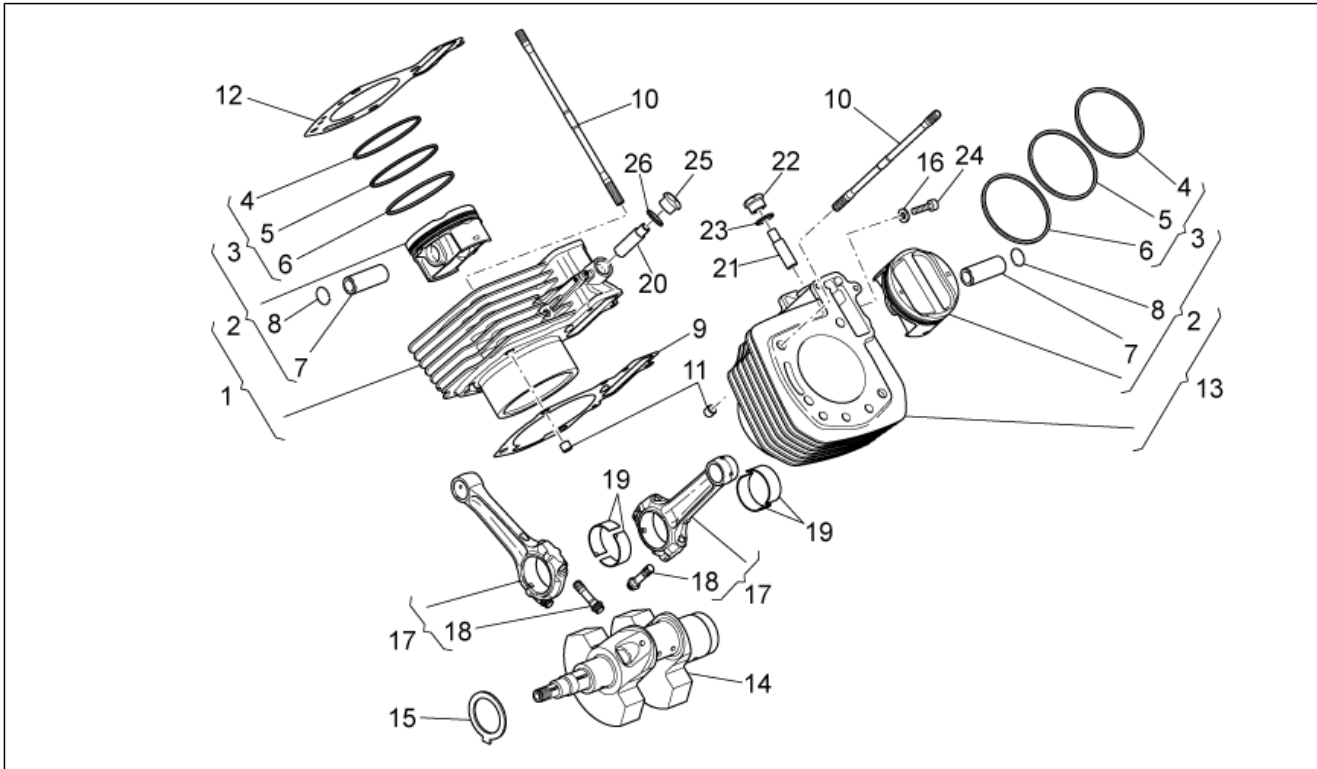
Group	ENGINE
Code	34.51
Description	LH cylinder timing system I
Service	1



Pos.	Code	Description	Qty	Variants
18	976350	Timing gear	1	
19	874601	sheet oil breather	1	
20	843060	Screw w/ flange	1	
21	880965	Gasket ring 2,62x46,52	1	
22	8013479	Breather cover cpl.	1	
23	875173	Torx convex big end screw	1	
24	976341	Camshaft chain	1	
25	976338	Chain guide plate	1	
26	976337	Chain tensioner sliding block	1	
27	878868	Spacer screw M8	1	
28	873690	LH chain tensioner	1	
29	244585	Spacer	1	

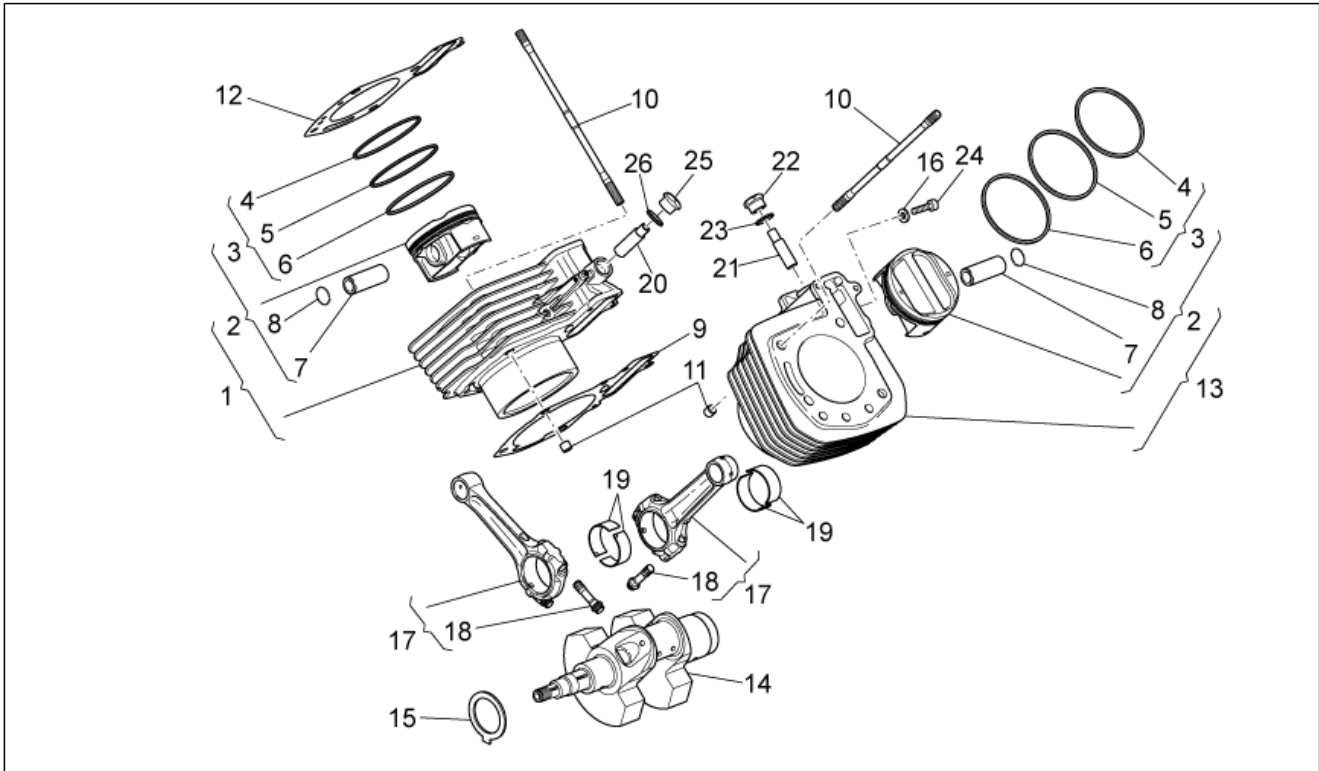


Group	ENGINE
Code	34.52
Description	Drive shaft - Cylinder
Service	1



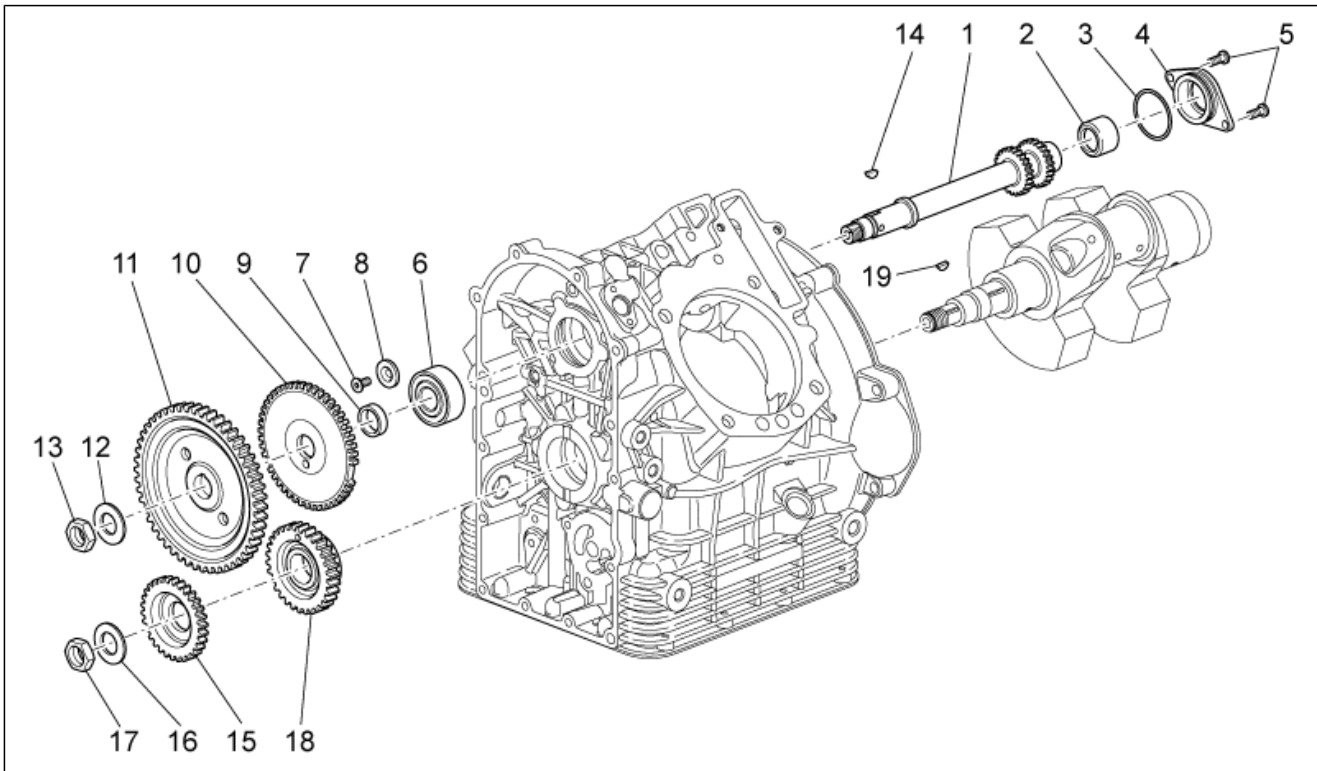
Pos.	Code	Description	Qty	Variants
1	981008	Cylinder with piston assy., RH	1	
2	873667	Piston D95 cpl	2	
3	981009	Pistonring set	2	
4	874287	Piston ring	2	
5	874288	Piston ring	2	
6	874289	Piston ring	2	
7	874286	Piston pin	2	
8	874567	Stop ring	4	
9	976312	Cylinder base gasket	2	
10	878275	Stud bolt	8	
11	825597	Pin 11,8X10	4	
12	874621	Cylinder head gasket 0,65 mm	2	
12	874622	Cylinder head gasket 0,85 mm	2	
12	976311	Cylinder head gasket 1,05 mm	2	
13	981007	Cylinder with piston assy., LH	1	
14	B0133785001	Shaft assy	1	Technical specification: Colore selezione Marrone[C1]
14	B0133785002	Shaft assy	1	Technical specification: Colore selezione Verde[C2]
14	B0133785003	Shaft assy	1	Technical specification: Colore selezione Nero[C3]
15	874293	Thrust washer	1	
16	GU95100116	Washer 6,25x10x1,5	1	
17	8783390001	Connecting rod cpl.	2	Technical specification: Colore selezione Marrone[C1]
17	8783390002	Connecting rod cpl.	2	Technical specification: Colore selezione Verde[C2]
17	8783390003	Connecting rod cpl.	2	Technical specification: Colore selezione Nero[C3]
18	849131	Connecting rod screw	4	
19	875243	Bearing half-shell 1,535-1,540	4	Technical specification: Red sign[RS]
19	875244	Bearing half-shell 1,539-1,544	4	Technical specification: Blue sign[BS]
20	873689	RH chain tensioner	1	
21	873690	LH chain tensioner	1	

Group	ENGINE
Code	34.52
Description	Drive shaft - Cylinder
Service	1



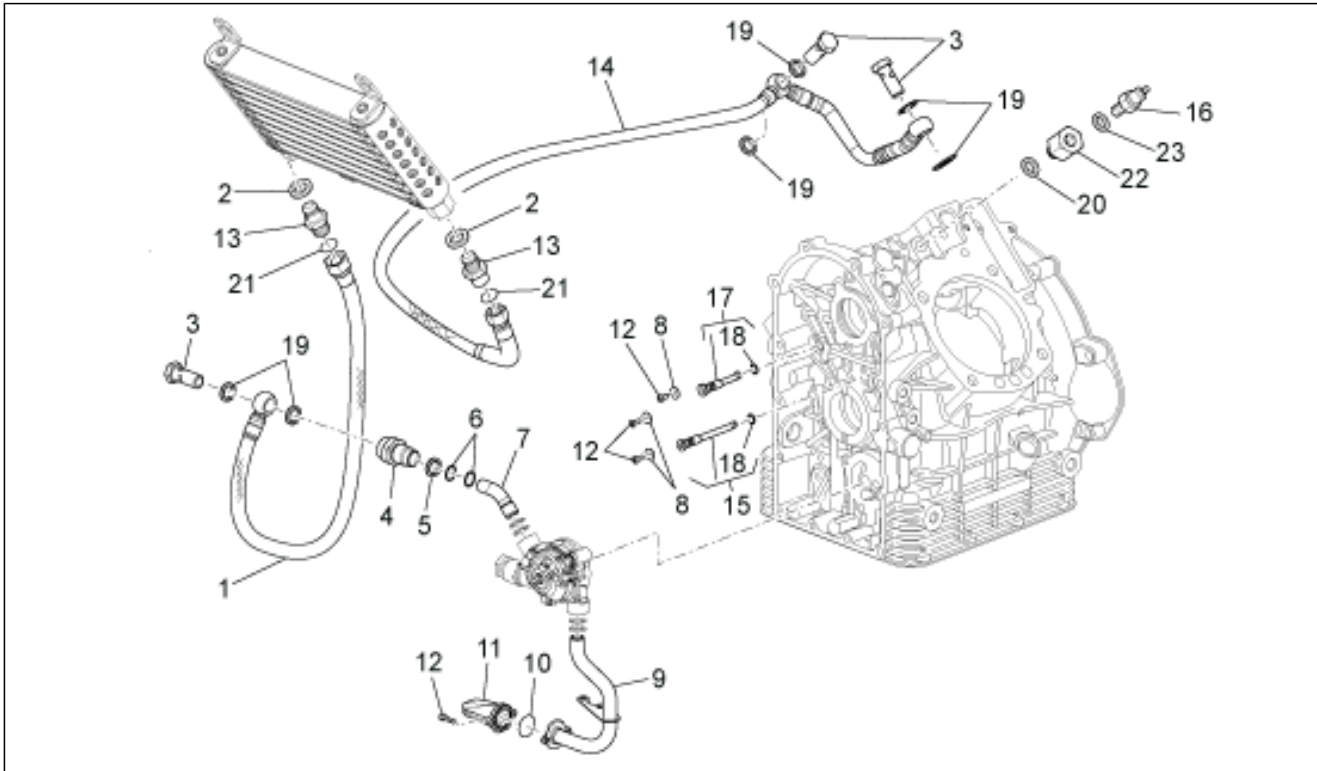
Pos.	Code	Description	Qty	Variants
22	976342	Chain tension.plug	2	
23	849866	Washer	2	
24	GU98350310	Hex socket screw M6x20	1	
25	879404	Chain tension.plug	2	
26	879405	Washer	1	

Group	ENGINE
Code	34.53
Description	Timing system
Service	1



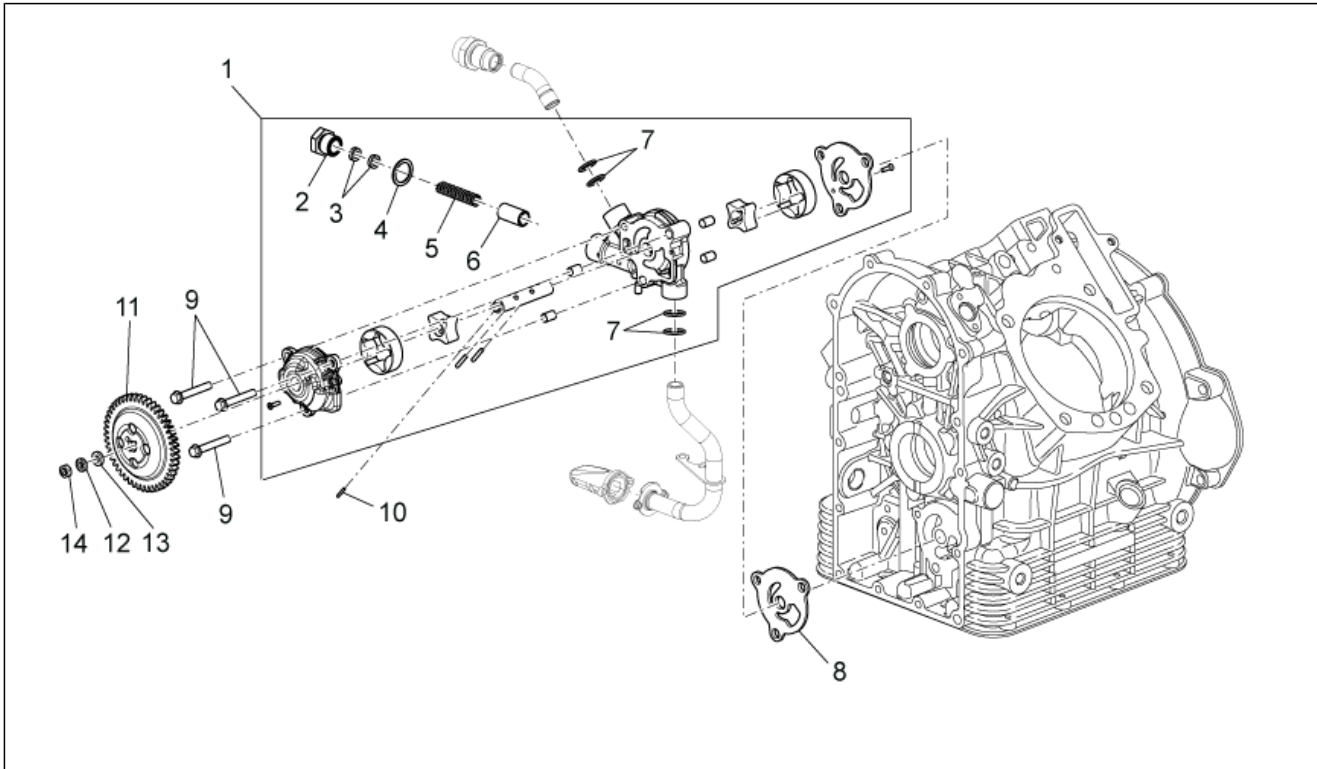
Pos.	Code	Description	Qty	Variants
1	976330	Timing system	1	
2	976381	Roller cage 25x32x12	1	
3	976488	O-ring 37,82x1,78	1	
4	976331	Flange	1	
5	GU98350315	Hex socket screw M6x14	2	
6	976355	Ball bearing 20x47x18	1	
7	AP8152166	screw M6x16	1	
8	873928	Washer	1	
9	976334	Spacer	1	
10	976538	Wheel speed sensor, left front	1	
11	874281	Timing system gear	1	
12	GU14433400	Spring washer 19x34x1,5	1	
13	829232	Nut M18x1,5	1	
14	GU91600450	Transmission key	1	
15	8787074	Oil pump drive gear	1	
16	976665	Belleville spring	1	
17	976649	Nut M25x1,5	1	
18	874280	Drive gear	1	
19	GU91600365	Transmission key 3x6,5	1	

Group	ENGINE
Code	34.54
Description	Lubrication
Service	1



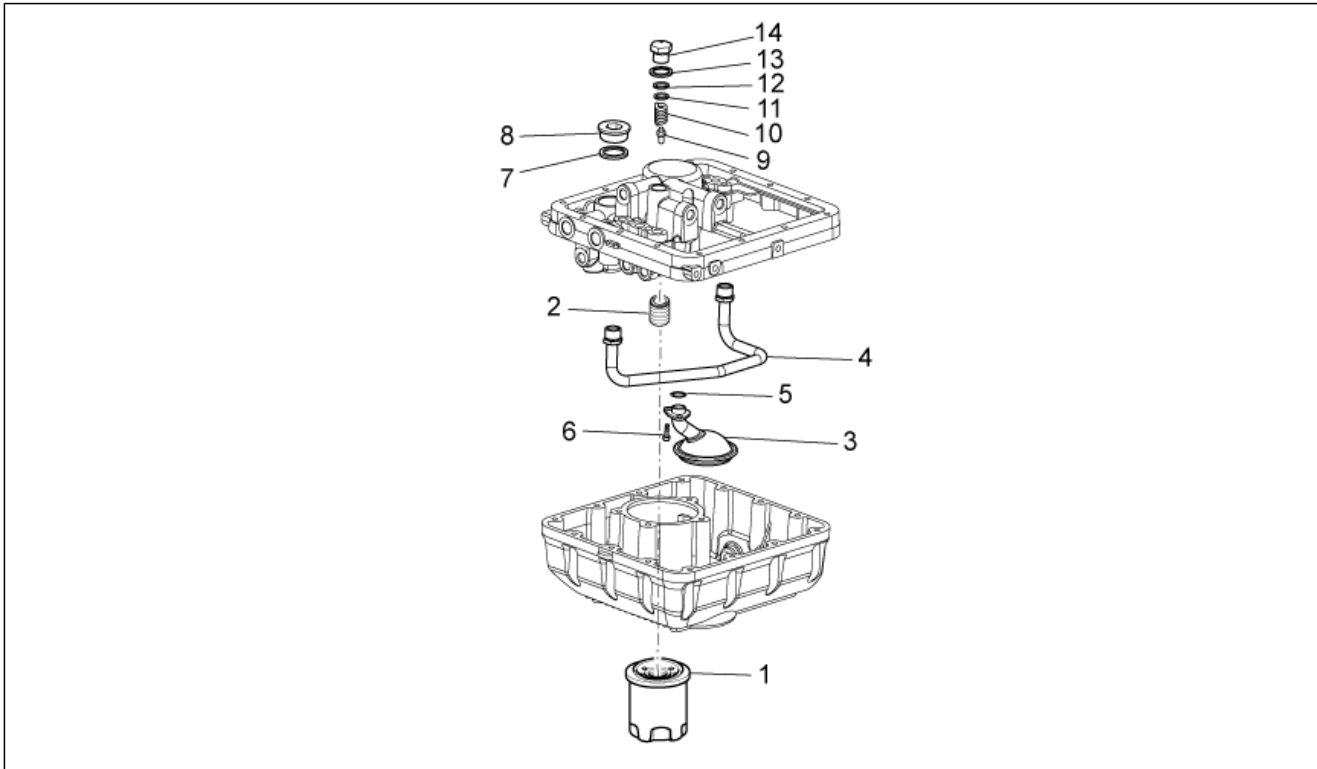
Pos.	Code	Description	Qty	Variants
1	978895	Pipe	1	
2	GU01154230	Gasket	2	
3	874223	Bored screw	3	
4	874669	Nipple	1	
5	976592	Gasket	1	
6	434947	O-ring 12,42x1	2	
7	874646	Oil pipe	1	
8	013763	Flat washer 4,2x12x1	3	
9	874645	Intake pipe	1	
10	969323	O-ring	1	
11	874655	Intake oil filter	1	
12	581957	Hex socket screw	5	
13	GU01161331	Reduction	2	
14	976625	Pipe	1	
15	976680	LH Nozzle	1	
16	641541	Oil pressure sensor	1	
17	976681	RH Nozzle	1	
18	874238	O-ring	4	
19	976597	Copper gasket	6	
20	GU12006400	Gasket 12,25	1	
21	899064	O-ring	4	
22	887123	Joint M12x1,5	1	
23	AP9150472	Washer 10,5x17x1,5	1	

Group	ENGINE
Code	34.55
Description	Oil pump
Service	1



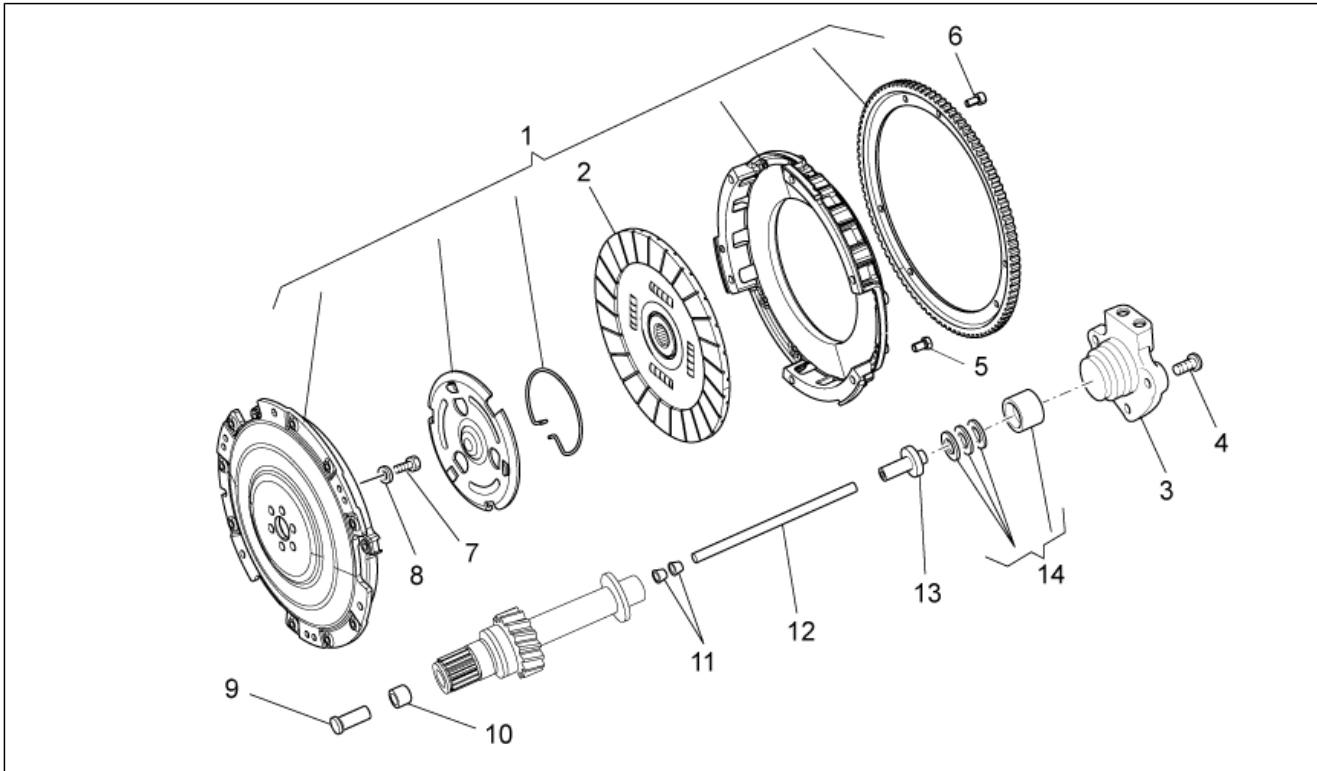
Pos.	Code	Description	Qty	Variants
1	8746505	Oil pump assy.	1	
2	GU31159050	Cover	1	
3	GU30158900	Washer	2	
4	GU18144350	Washer 18,25x24x1	1	
5	829486	Spring	1	
6	829661	Oil pressure valve	1	
7	237553	O-ring	4	
8	874482	Gasket	1	
9	414835	screw	3	
10	874801	Pin 2x13,8	1	
11	877101	Oil pump gear	1	
12	GU03013800	Washer 6,4x12	1	
13	GU95005306	Washer 6,4x13x1,5	1	
14	873906	Low nut	1	

Group	ENGINE
Code	34.56
Description	Oil filters
Service	1



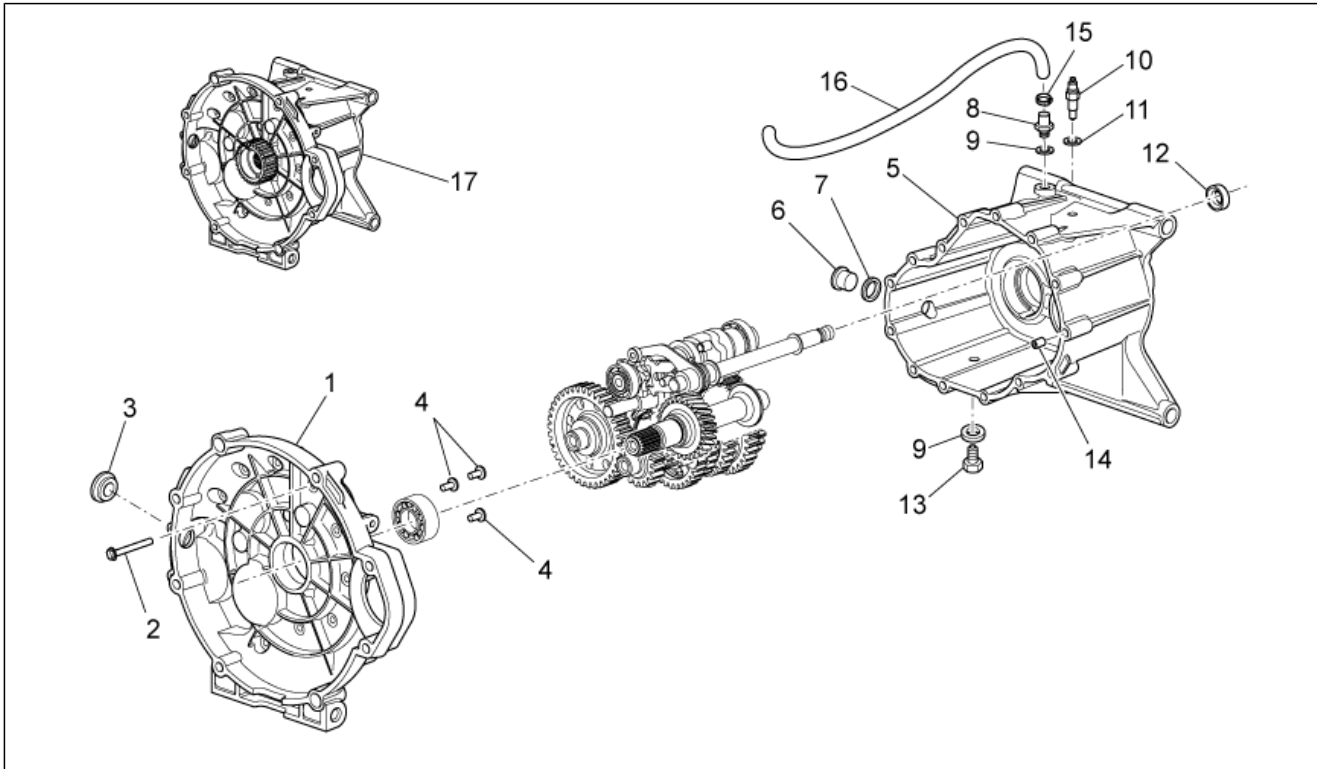
Pos.	Code	Description	Qty	Variants
1	GU30153000	Oil filter	1	
2	829122	Oil filter union	1	
3	GU05152230	Oil filter	1	
4	GU05005730	pipe	1	
5	GU90706151	O-ring 15,08x2,62viton	1	
6	877820	Hex socket screw M6x18	2	
7	976636	Copper gasket	1	
8	976635	Cover	1	
9	GU30150900	Piston	1	
10	GU94321077	Spring	1	
11	GU95008206	Washer 6,15x11x0,8	2	
12	GU30158900	Washer	1	
13	GU18144350	Washer 18,25x24x1	1	
14	GU31159050	Cover	1	

Group	ENGINE
Code	34.57
Description	Clutch
Service	1



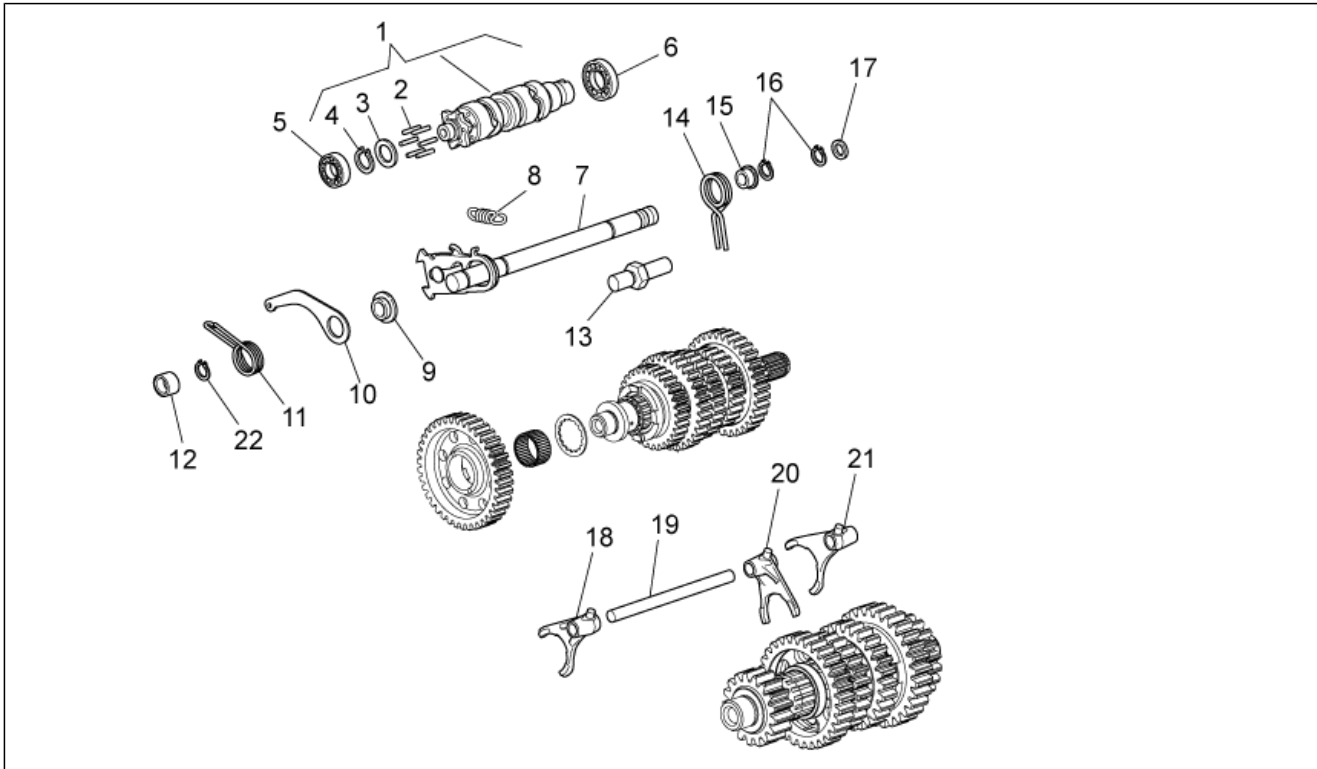
Pos.	Code	Description	Qty	Variants
1	976695	Clutch cpl.	1	
2	976053	Clutch disc	1	
3	978739	Clutch command cylinder	1	
4	598839	Screw w/ flange	3	
5	976535	Hex socket screw M7x16	6	
6	GU98230612	screw	6	
7	976481	Screw w/ flange M8x25	6	
8	976484	Conical spring washer 8,2X15	6	
9	B013036	Clutch drive tapped	1	
10	976564	Bushing	1	
11	GU14085900	Bush	2	
12	976593	Rod L=mm183	1	Technical specification:
12	976594	Rod L=mm184,5	1	Technical specification:
12	976595	Rod L=mm186	1	Technical specification:
12	976596	Rod L=mm187,5	1	Technical specification:
12	B0630111	Asta L=mm 1 185	1	Technical specification: Cinque tagli di identificazione[5T]
12	B063012	Asta L=mm 185,5	1	Technical specification: Sei tagli di identificazione[6T]
13	GU14086000	Inner body	1	
14	976696	Engine bearing set	1	

Group	ENGINE
Code	34.58
Description	Transmission cage
Service	1



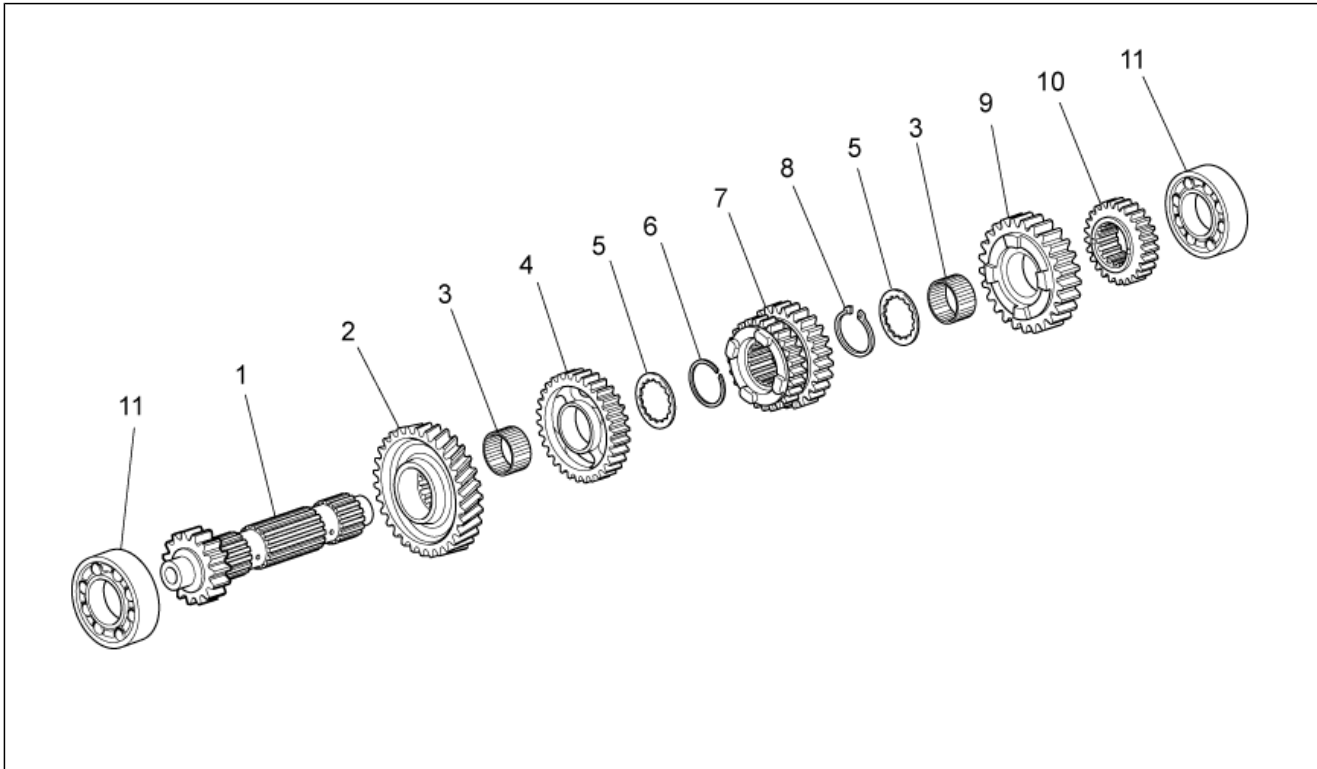
Pos.	Code	Description	Qty	Variants
1	879871	Clutch drum	1	
2	GU97202355	Screw w/ flange M6x55	14	
3	GU93180220	Cover	1	
4	GU98370616	Hex socket screw M6x16 inox	3	
5	879869	Transmission cage	1	
6	GU95980319	Oil plug M18x1,5	1	
7	GU18144350	Washer 18,25x24x1	1	
8	GU05204930	Breather plug	1	
9	GU01528930	Gasket 10x18x1,5	2	
10	GU19207220	Sensor	1	
11	B063025	Guarnizione 8,7x14,2x1,3	1	
12	GU90401424	Gasket ring 14x24x7	1	
13	GU31003766	Oil unload plug M10x1	1	
14	GU19002020	Bushing 6,6x9x13	2	
15	AP8101595	Hose clamp D10,1	1	
16	AP8120952	Fuel pipe 5,5x10	1	
17	976985	Gear box assy	1	

Group	ENGINE
Code	34.59
Description	Gear box selector
Service	1



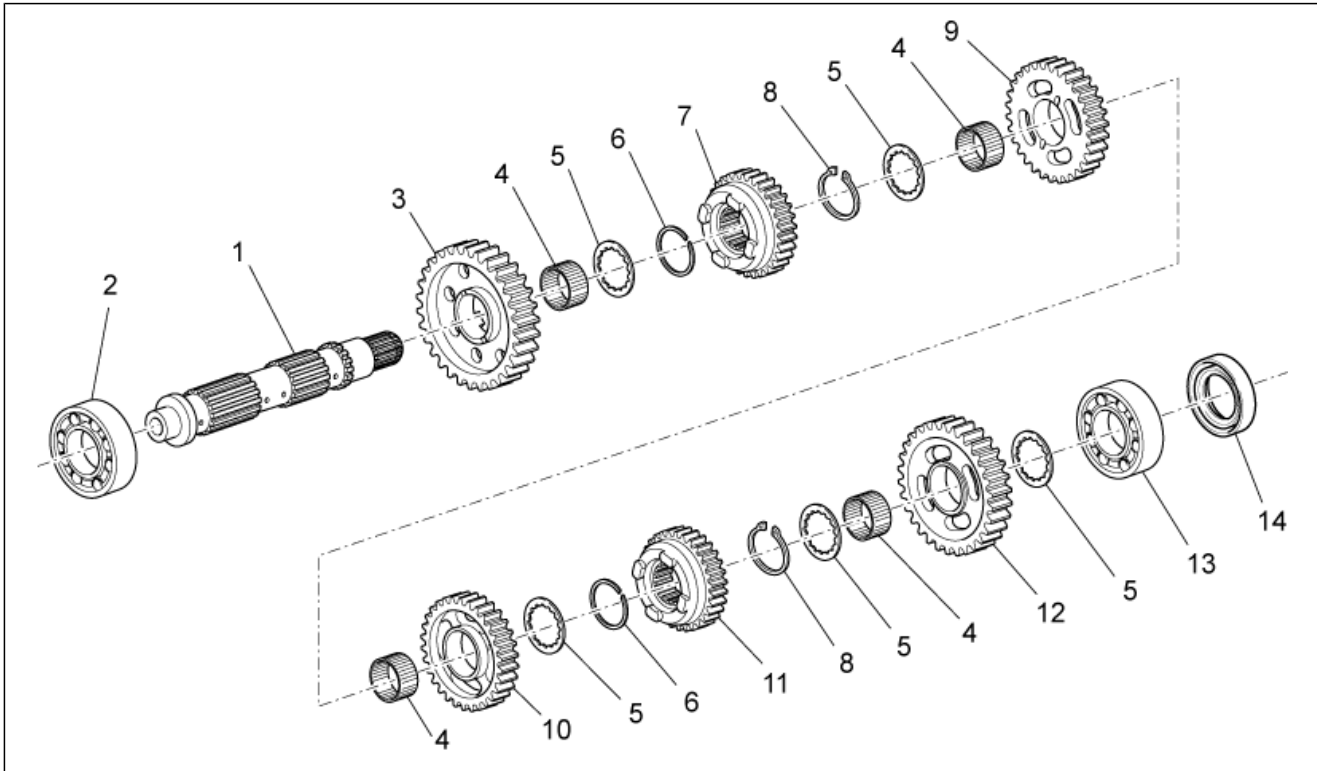
Pos.	Code	Description	Qty	Variants
1	GU05234431	Shift cam cpl.	1	
2	GU05234631	Pin	6	
3	GU05235531	Spacer	1	
4	GU90271022	Circlip	1	
5	GU92201117	Ball bearing 17x35x10	1	
6	GU92201025	Ball bearing 25x42x9	1	
7	GU05236231	Preselection complete	1	
8	GU05238231	Spring	1	
9	GU05238431	Bushing	1	
10	GU05234731	Lever Index	1	
11	GU05234130	Spring	1	
12	GU05234230	Spacer	1	
13	GU05234931	Fixing pin	1	
14	GU05238331	Spring	1	
15	GU05238131	Spacer	1	
16	GU90271014	Circlip	2	
17	GU05239330	Fifth wheel	1	
18	GU05230531	Fork 1a-3a	1	
19	GU05232431	Fork shaft	1	
20	GU05232631	Fork 5a-6a	1	
21	GU05230831	Fork 2a-4a	1	
22	GU90353014	Circlip	1	

Group	ENGINE
Code	34.60
Description	Primary gear shaft
Service	1



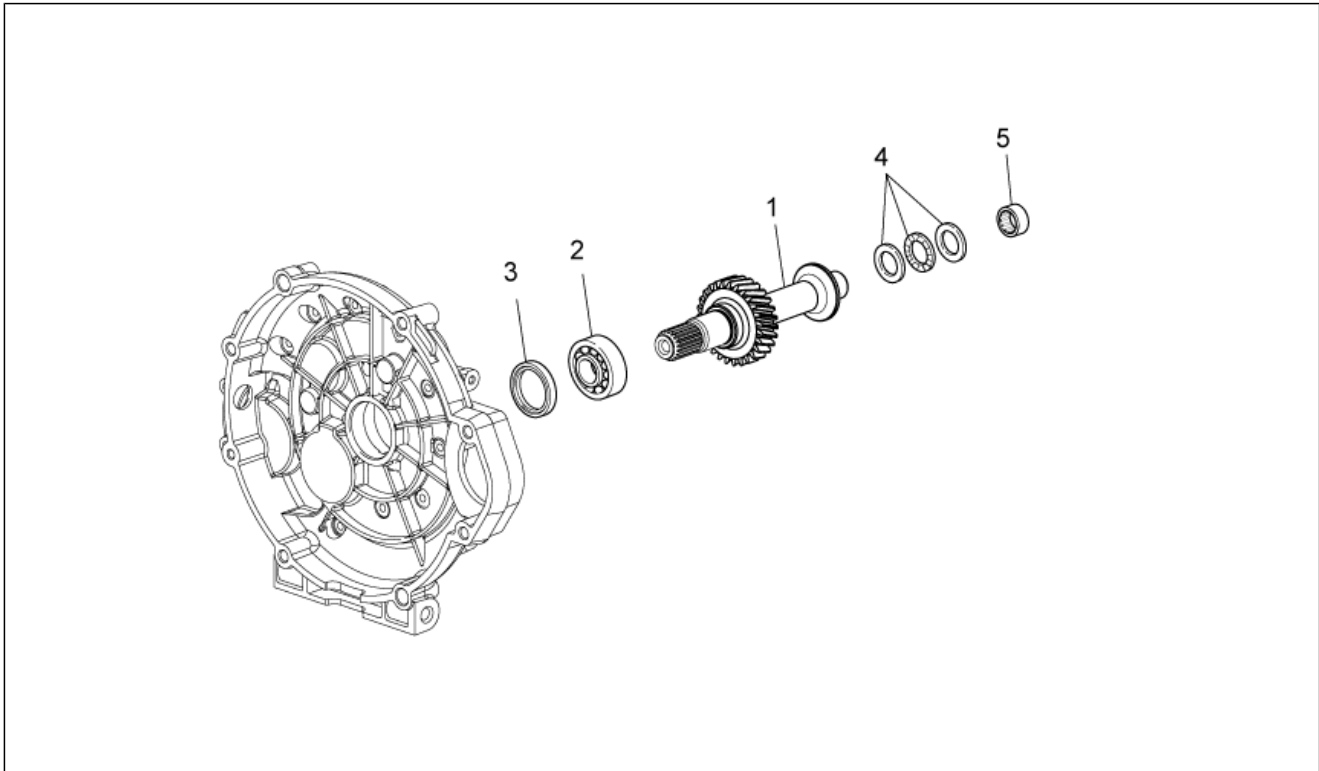
Pos.	Code	Description	Qty	Variants
1	GU05210631	Primary gear shaft Z=17	1	
2	GU05215631	Drive gears Z=35	1	
3	GU92252029	Roller cage 26x30x15,6	2	
4	GU05212031	Gear 5a Z=31	1	
5	GU05214630	Clearance washer	2	
6	GU90271230	Snap ring 30x1,25W	1	
7	GU05211431	Gear 3a-4a Z=23-26	1	
8	GU90271030	Snap ring 30x27,9	1	
9	GU05212631	Gear 6a Z=29	1	
10	GU05211331	Gear 2a Z=20	1	
11	GU92201822	Ball bearing 20x52x15	2	

Group	ENGINE
Code	34.61
Description	Driven shaft
Service	1



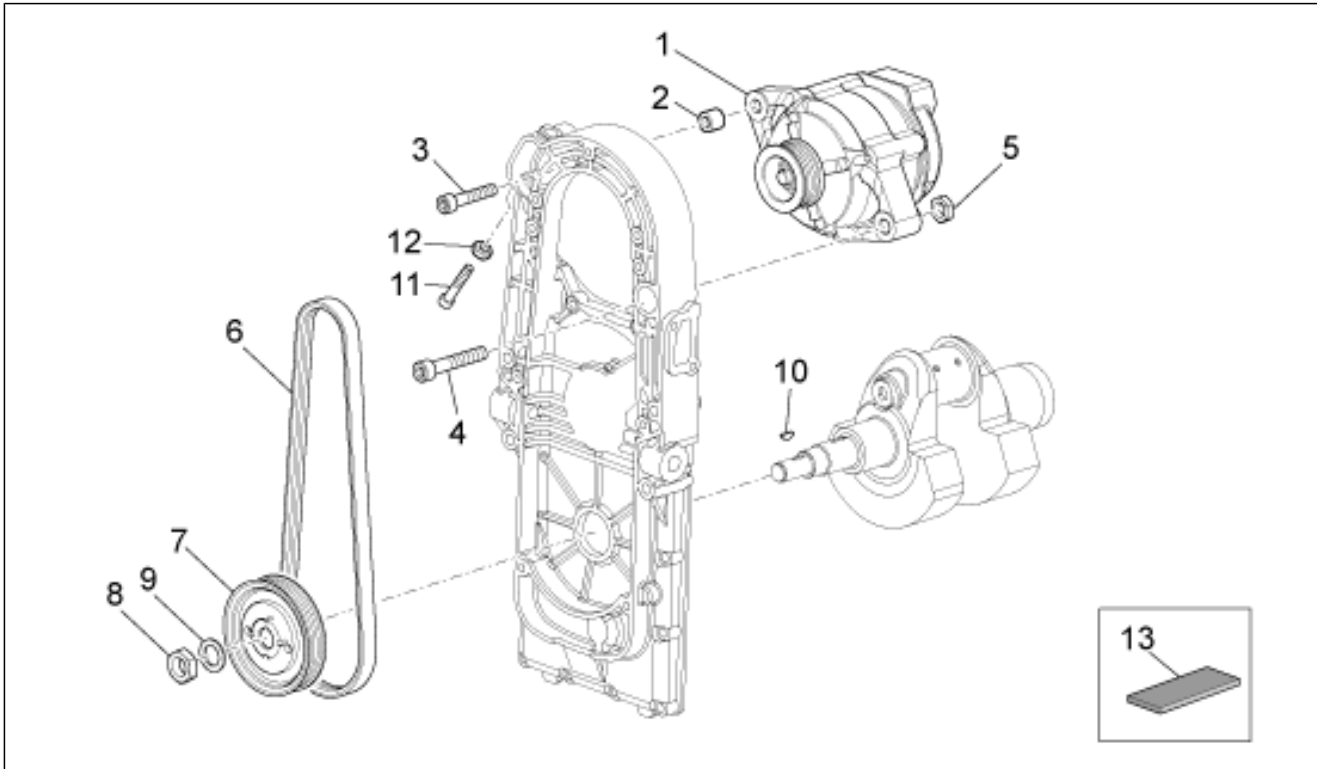
Pos.	Code	Description	Qty	Variants
1	GU05213631	Driven shaft	1	
2	GU92201822	Ball bearing 20x52x15	1	
3	GU05214231	Gear 1a Z=38	1	
4	GU92252029	Roller cage 26x30x15,6	4	
5	GU05214630	Clearance washer	5	
6	GU90271230	Snap ring 30x1,2SW	2	
7	GU05214031	Gear 5a Z=30	1	
8	GU90271030	Snap ring 30x27,9	2	
9	GU05214731	Gear 3a Z=31	1	
10	GU05215031	Gear 4a Z=29	1	
11	GU05220531	Gear 6a Z=25	1	
12	GU05214431	Gear 2a Z=34	1	
13	GU92201226	Ball bearing 25x52x15	1	
14	GU90412541	Gasket ring 25X40X7	1	

Group	ENGINE
Code	34.62
Description	Clutch shaft
Service	1



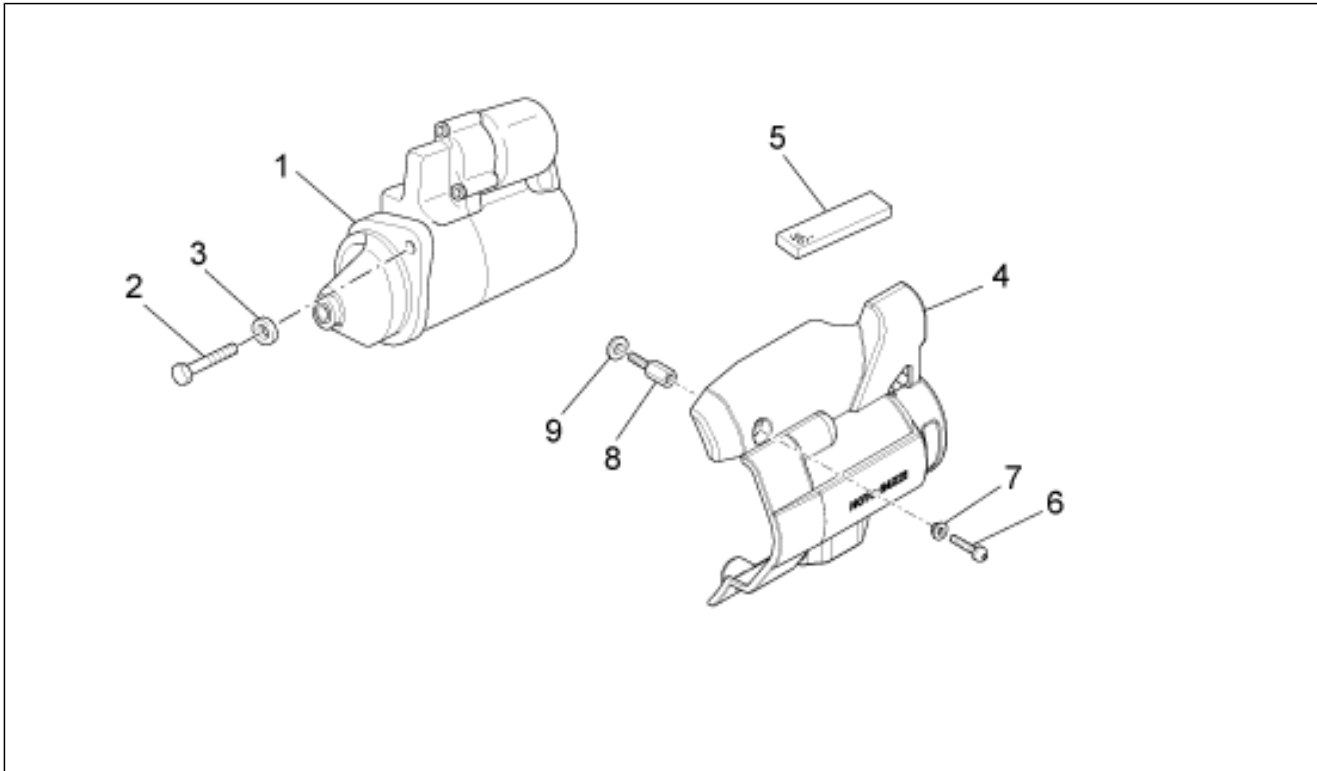
Pos.	Code	Description	Qty	Variants
1	976351	Clutch shaft Z=26	1	
2	GU92201226	Ball bearing 25x52x15	1	
3	976533	Gasket ring 25x47x7	1	
4	976532	Thrust bearing	1	
5	GU92232028	Roller bearing 20x28x13	1	

Group	ENGINE
Code	34.63
Description	Current generator
Service	1



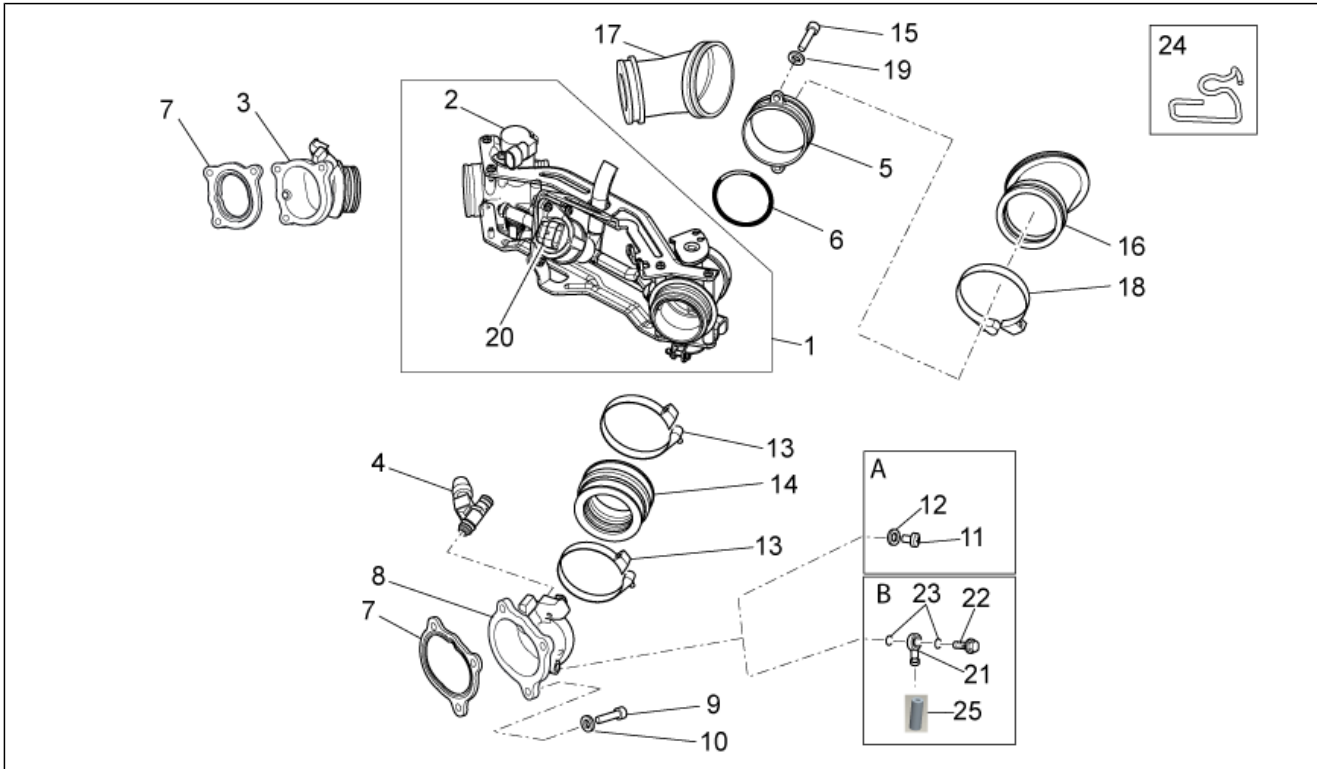
Pos.	Code	Description	Qty	Variants
1	886255	Generator	1	
2	GU91180823	Spacer 8,5x17x13	1	
3	GU98620445	Hex socket screw M8x45	1	
4	GU98620560	Hex socket screw M10x60	1	
5	GU92660012	Nut M10X1,5	1	
6	GU05702530	Belt	1	
7	GU05701430	Generator lever pulley	1	
8	GU92606516	Nut M16	1	
9	GU30714201	Washer 16,25x24,5x5	1	
10	GU4FAN000030	Flywheel magneto key	1	
11	GU98230850	Hex socket screw M8x50	1	
12	GU92605408	Nut M8x1,25	1	
13	883127	Support rubber part 5mm	1	

Group	ENGINE
Code	34.64
Description	Starter motor
Service	1



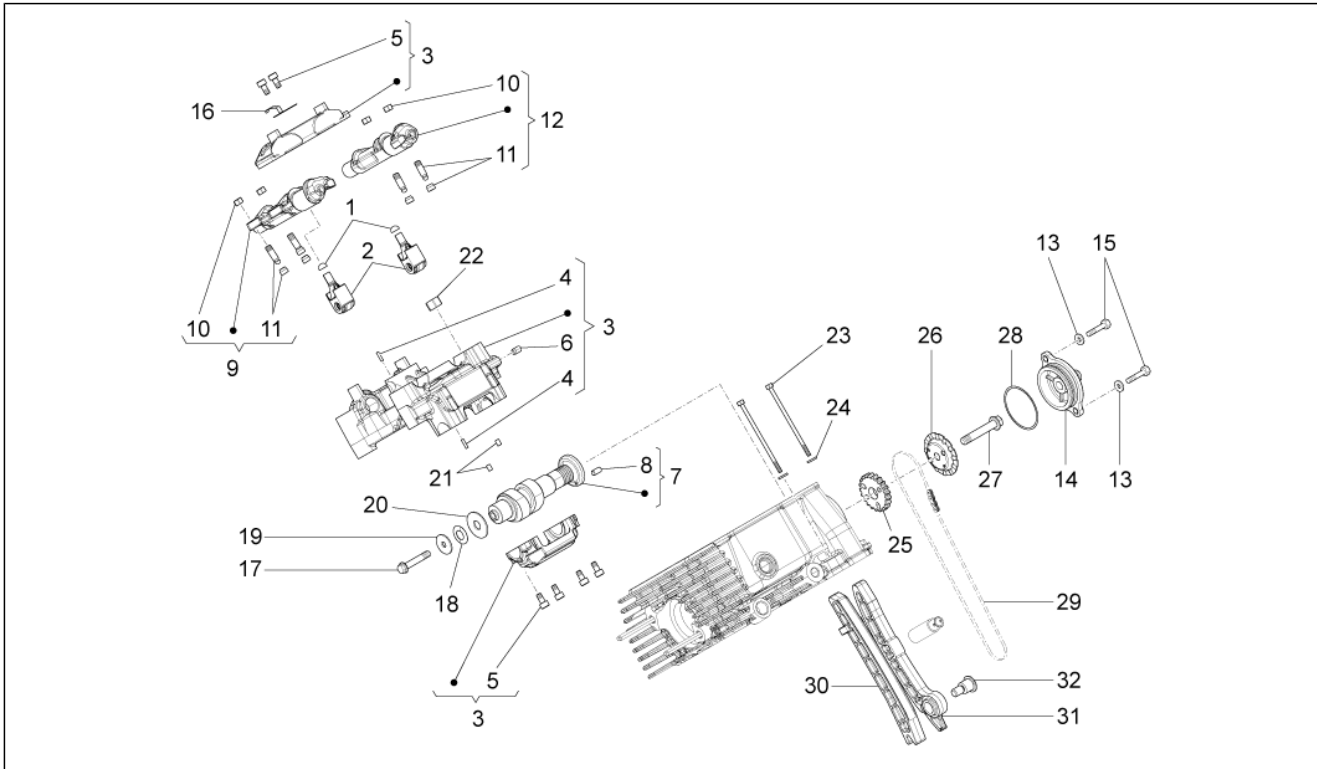
Pos.	Code	Description	Qty	Variants
1	GU05730730	Starter motor Bosch	1	
2	GU98082475	Hex screw M8x75	2	
3	GU95008208	Washer 8,4X15X1,5	2	
4	886857	Engine cover	1	
5	AP8117200	Adhesive sponge	1	
6	GU98370609	Hex socket screw M6x10	2	
7	AP8121032	Bush	2	
8	GU03469201	Stud bolt	2	
9	GU03013800	Washer 6,4x12	1	

Group	ENGINE
Code	34.65
Description	Throttle body
Service	1



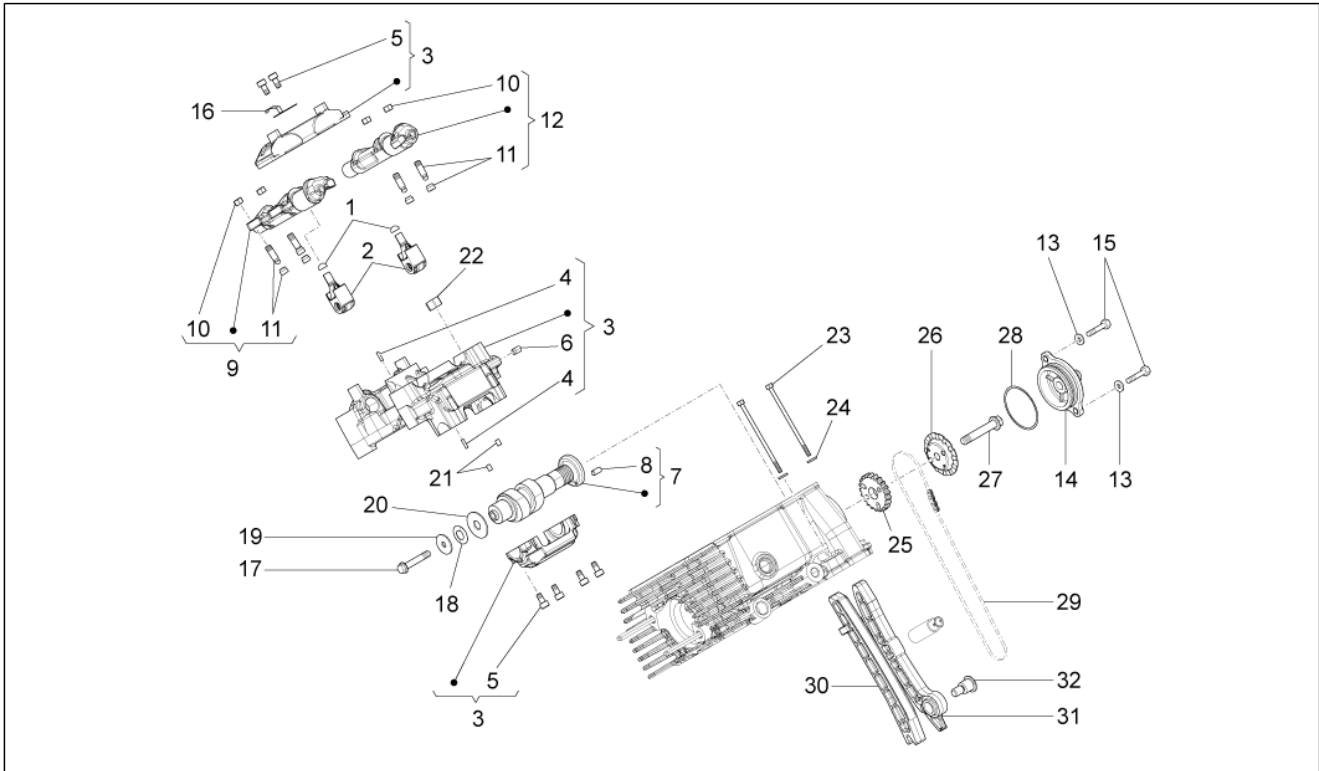
Pos.	Code	Description	Qty	Variants
1	880270	Throttle body	1	
2	981010	Potentiometer	1	
3	879878	RH manifold	1	
4	CM074706	Injector kit complete	2	
5	976498	Flange	2	
6	976566	O-ring 53,7x1,78	2	
7	873879	Inl. manifold gasket	2	
8	879877	LH manifold	1	
9	GU98882325	Low head socket screw M6x25 M6x25	6	
10	GU95008206	Washer 6,15x11x0,8	6	
11	GU98350310	Hex socket screw M6x20	2	
12	GU95100116	Washer 6,25x10x1,5	2	
13	GU93305061	Hose clamp 61/65,5	4	
14	873861	Hose	2	
15	GU98682212	Hex socket screw M5x12	2	
16	877057	Intake hose RH	1	
17	877056	Intake hose LH	1	
18	GU93306050	Clamp 50x90x9	2	
19	GU95008305	Washer 5,3X10X1	2	
20	896540	Min.regulation engine	1	
21	GU95963062	Joint	2	
22	GU95990023	Bored screw	2	
23	GU90706009	O-ring 6x1	4	
24	887209	Fairlead	1	
25	487567	Cover	1	

Group	ENGINE
Code	34.66
Description	RH cylinder timing system (roller)
Service	1



Pos.	Code	Description	Qty	Variants
1	878574	Pad	2	
2	B016785	Tappet	2	
3	B017029	Rockers axle support DX	1	
4	872759	Pin D. 2,5	4	
5	015792	screw M8x30	6	
6	842360	Plug M6x10	1	
7	B014576	Cam axle	1	
8	976589	Pin	1	
9	B0136034	Bilanciere aspirazione sx scarico dx	1	
10	879916	Rocker arm adjuster nut	4	
11	879707	Adjuster screw	4	
12	B0136054	Bilanciere aspirazione dx scarico sx	1	
13	GU95129100	Spring washer 5,3X10X0,5	2	
14	B013479	Breather cover cpl.	1	
15	GU98622214	screw	2	
16	B013661	Plate	1	
17	414837	Screw w/ flange M6x25	1	
18	879938	Belleville spring	1	
19	879936	Shim washer	1	
20	879937	Shim washer	1	
21	B013552	Roller	2	
22	833520	Nut M10X1,25 6H	8	
23	487444	Screw w/ flange M6x120	2	
24	976674	Plain washer 12x6,1x2	2	
25	976350	Timing gear	1	
26	874601	sheet oil breather	1	
27	843060	Screw w/ flange	1	
28	880965	Gasket ring 2,62x46,52	0	

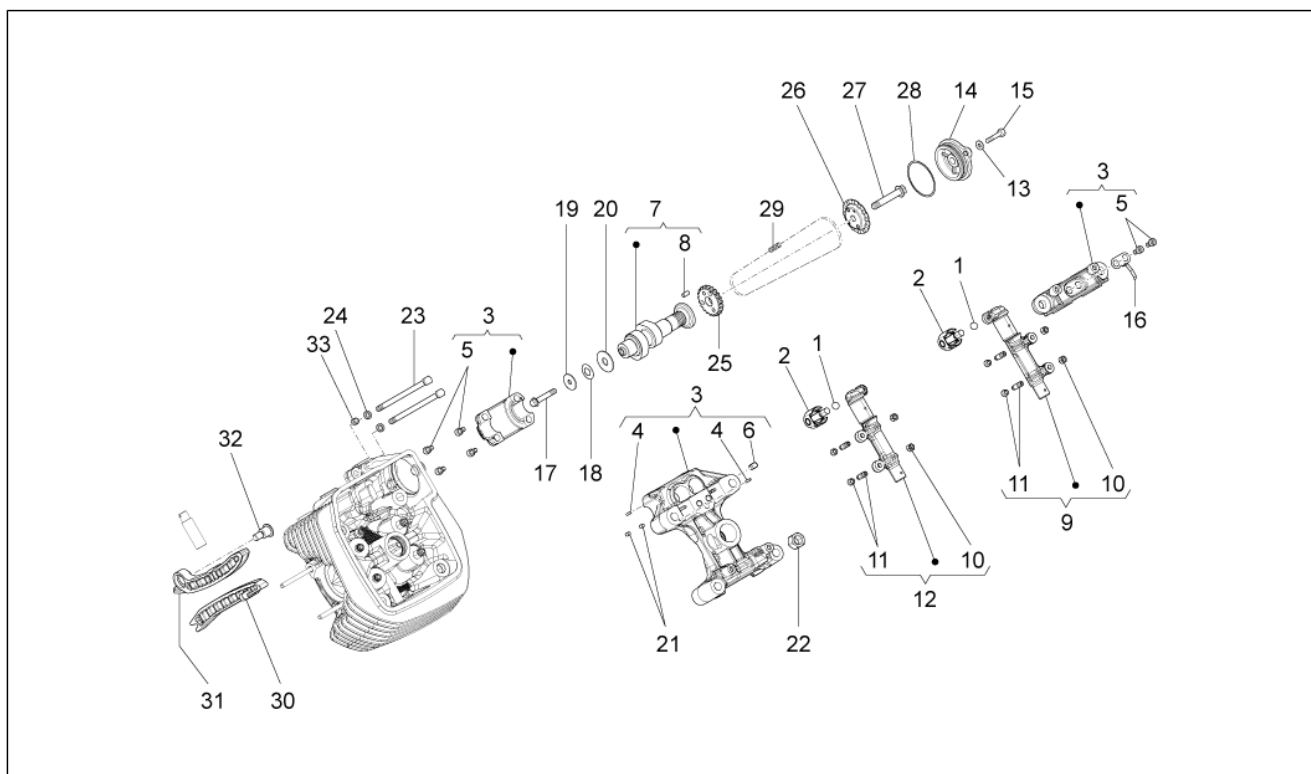
Group	ENGINE
Code	34.66
Description	RH cylinder timing system (roller)
Service	1



Pos.	Code	Description	Qty	Variants
29	976341	Camshaft chain	1	
30	976338	Chain guide plate	1	
31	976337	Chain tensioner sliding block	1	
32	878868	Spacer screw M8	1	

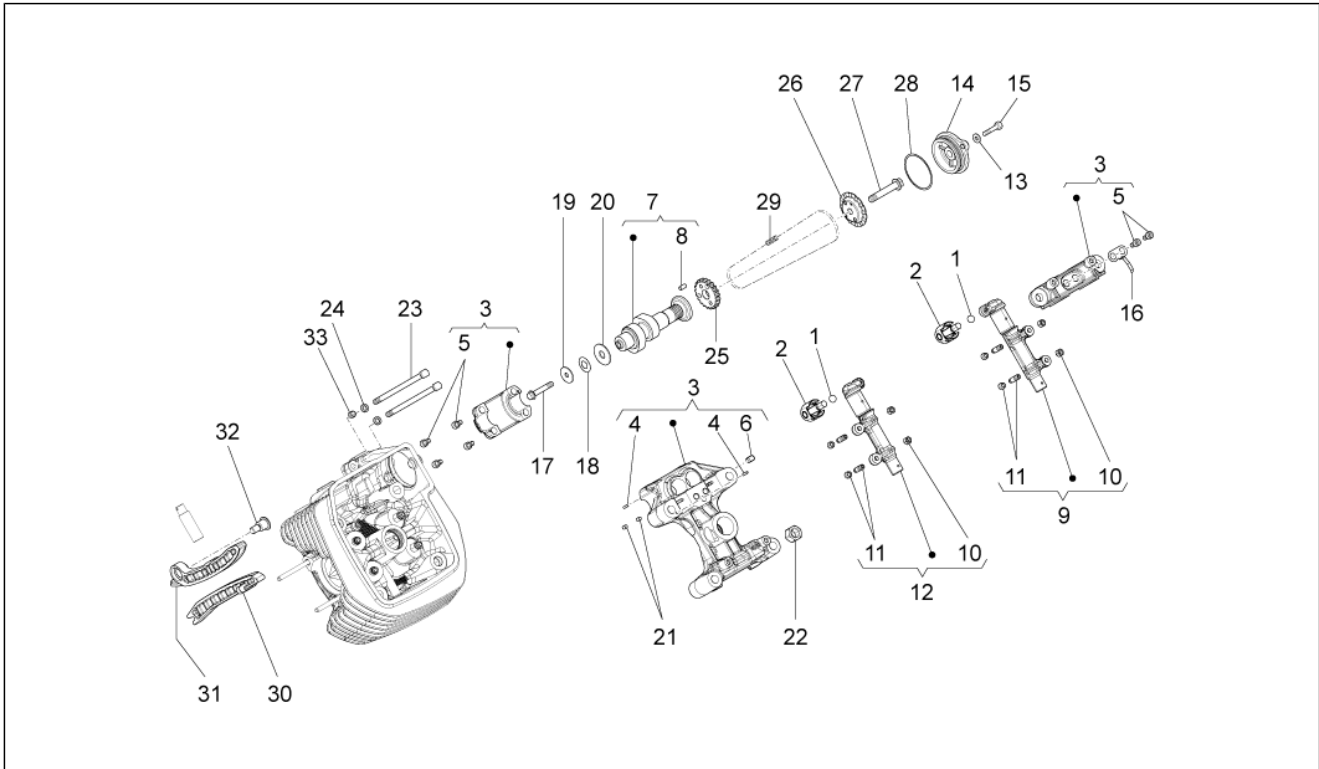


Group	ENGINE
Code	34.67
Description	LH cylinder timing system (roller)
Service	1



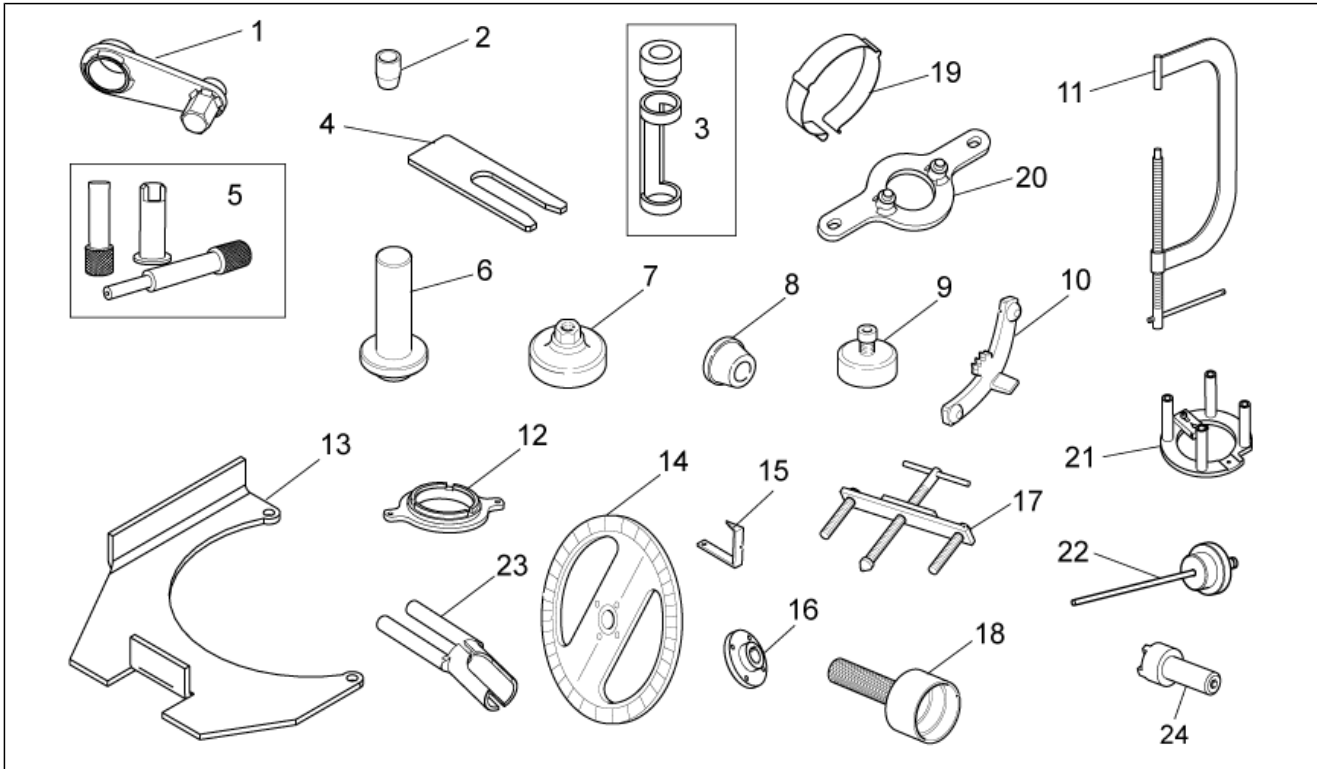
Pos.	Code	Description	Qty	Variants
1	878574	Pad	2	
2	B016785	Tappet	2	
3	B017026	Rockers axle support SX	1	
4	872759	Pin D. 2,5	4	
5	015792	screw M8x30	6	
6	842360	Plug M6x10	1	
7	B014576	Cam axle	1	
8	976589	Pin	1	
9	B0136034	Bilanciere aspirazione sx scarico dx	1	
10	879916	Rocker arm adjuster nut	4	
11	879707	Adjuster screw	4	
12	B0136054	Bilanciere aspirazione dx scarico sx	1	
13	GU95129100	Spring washer 5,3X10X0,5	2	
14	B013479	Breather cover cpl.	1	
15	GU98622214	screw	2	
16	B013661	Plate	1	
17	414837	Screw w/ flange M6x25	1	
18	879938	Belleville spring	1	
19	879936	Shim washer	1	
20	879937	Shim washer	1	
21	B013552	Roller	2	
22	833520	Nut M10X1,25 6H	4	
23	487444	Screw w/ flange M6x120	2	
24	976674	Plain washer 12x6,1x2	2	
25	976350	Timing gear	1	
26	874601	sheet oil breather	1	
27	843060	Screw w/ flange	1	
28	880965	Gasket ring 2,62x46,52	1	

Group	ENGINE
Code	34.67
Description	LH cylinder timing system (roller)
Service	1



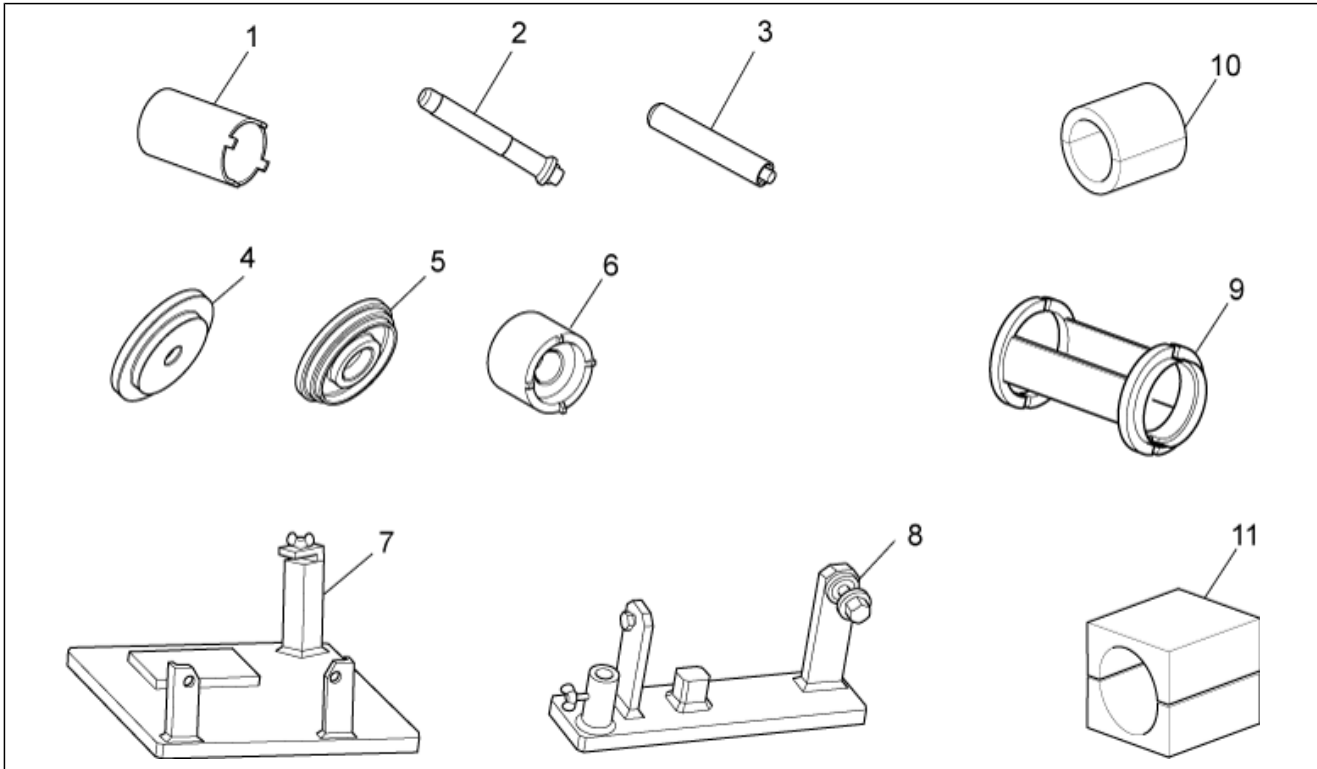
Pos.	Code	Description	Qty	Variants
29	976341	Camshaft chain	1	
30	976338	Chain guide plate	1	
31	976337	Chain tensioner sliding block	1	
32	878868	Spacer screw M8	1	
33	244585	Spacer	1	

Group	SPECIAL TOOLS
Code	36.67
Description	Specific tools I
Service	1



Pos.	Code	Description	Qty	Variants
1	020677Y	Belt tensioning tool	1	
2	GU05911730	Front cover installation cone	1	
3	AP9100838	Valve spring comp insert	1	
4	020716Y	Connecting rod stopper	1	
5	020470Y	Tool for piston pin catch ass.	1	
6	GU05927230	Timing cover seal drift	1	
7	GU01929100	Wrench remov.cover sump/filter	1	
8	GU12912000	Flange flywheel side	1	
9	GU14927100	Seal ring onto flange fly.side	1	
10	GU12911801	Lock flywh.starter motor gear	1	
11	AP8140179	Bow for valve assy&disassy	1	
12	020672Y	Clutch spring comp insert	1	
13	GU05902530	Gearbox housing support	1	
14	GU19929600	Index plate tim.sett./ign.cont	1	
15	GU17947560	Arrow tim.set.ignition control	1	
16	020673Y	Index plate hub	1	
17	GU12913600	Flange removal flywheel side	1	
18	GU19927100	Seal ring flange flywheel side	1	
19	020674Y	Piston ring spanner	1	
20	020675Y	Service shaft gear ret.	1	
21	020676Y	Piston pos.dial gauge supp.	1	
22	020678Y	Clutch rod inspection tool	1	
23	020689Y	Extractor spark plug cap	1	
24	GU14912603	Key	1	

Group	SPECIAL TOOLS
Code	36.68
Description	Specific tools II
Service	1



Pos.	Code	Description	Qty	Variants
1	AP8140190	Steering lock tool	1	
2	GU05902732	Handle for drifts	1	
3	GU05902733	Ball joint seal drift	1	
4	GU05902731	Transmis.box oil seal drift 85	1	
5	GU05902735	Sprocket oil seal drift 45x58	1	
6	GU05902734	Wrench for sprocket ring nut	1	
7	GU05902730	Transmission box support	1	
8	GU05902736	Bevel gears support	1	
9	AP8140758	Tool oil seal assy	1	
10	AP8140146	Weight for AP8140189	1	
11	AP8140149	Protection for disassembly op	1	