



**SUZUKI**®

**DR350SE**

**(Street Model Only)**

**Spare Parts Catalog**

**1997 – 1999**



## **Accuracy**

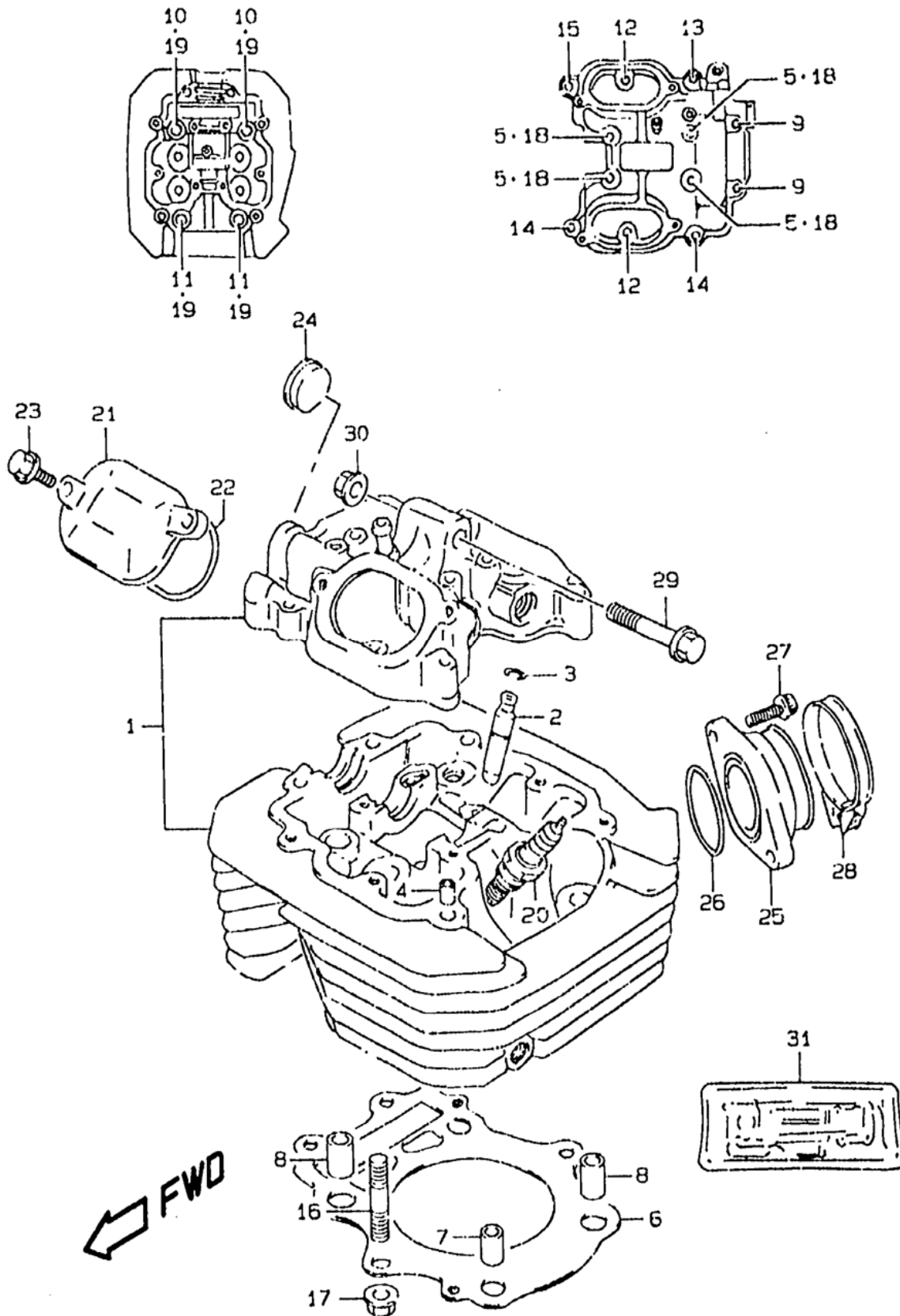
I've made every attempt to ensure the data within this document is accurate. However, mistakes do happen. Be sure to double check everything before you place an order and get stuck with the wrong part. If you discover a mistake, please let me know.

## **Letter Designations**

Suzuki uses alphabetic codes to differentiate model years. These letter codes are referenced throughout this spare parts catalog. Here they are in case you've forgotten:

<b>L</b>	<b>1990</b>
<b>M</b>	<b>1991</b>
<b>N</b>	<b>1992</b>
<b>P</b>	<b>1993</b>
<b>R</b>	<b>1994</b>
<b>S</b>	<b>1995</b>
<b>T</b>	<b>1996</b>
<b>V</b>	<b>1997</b>
<b>W</b>	<b>1998</b>
<b>X</b>	<b>1999</b>

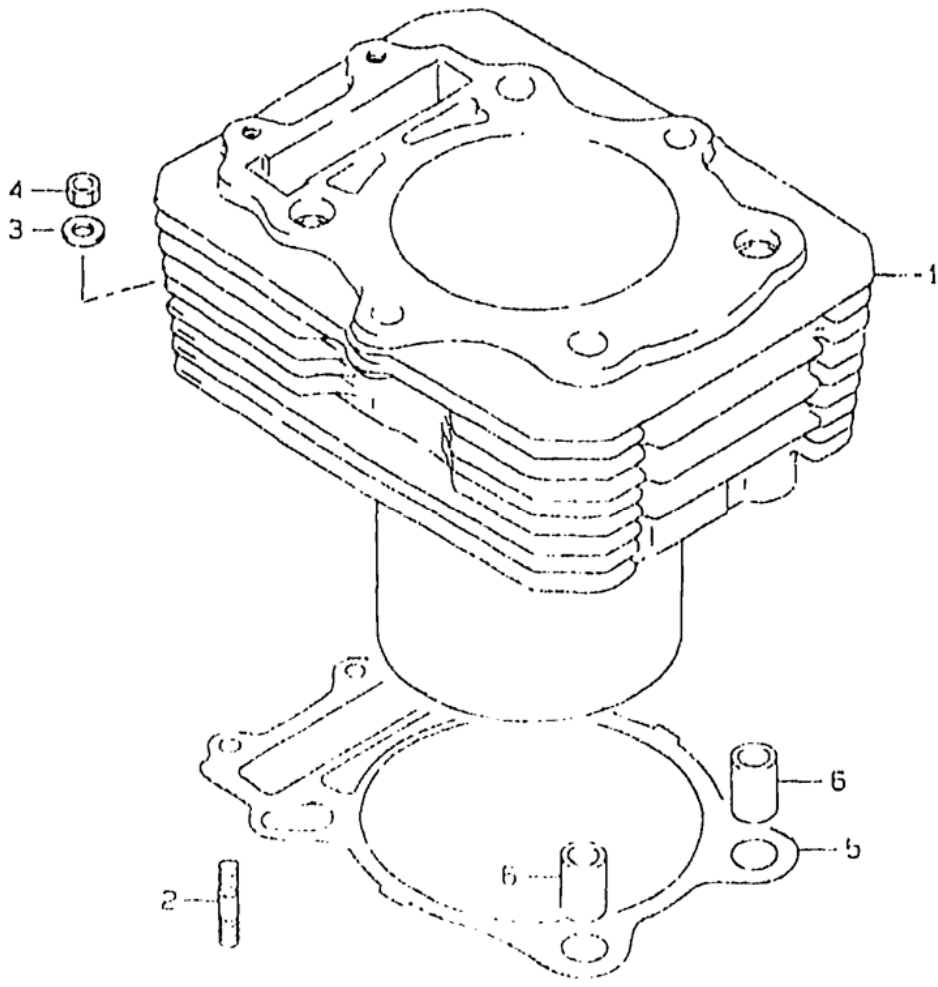
FIG. 1



**Table 1. CYLINDER HEAD**

Reference Number	Quantity Required	Part Number	Description
1	1	11100-14D70	HEAD ASSY, CYLINDER
2	4	11115-14D71	GUIDE, VALVE (OS:0.3)
3	4	09381-10004	.SNAP RING
4	2	09206-08001	PIN
5	4	09103-06102	.BOLT (6X55)
6	1	11141-14D01	GASKET, CYLINDER HEAD
7	1	04211-13189	PIN
8	2	09206-13004	.PIN
9	2	09103-06167	BOLT (6X115)
10	2	09103-10178	BOLT (10X180)
11	2	09103-10223	BOLT
12	2	01550-0625A	BOLT
13	1	01550-0630A	BOLT
14	2	09103-06108	BOLT (6X35)
15	1	09103-06504	BOLT (6X39)
16	2	09108-08142	STUD BOLT (8X30)
17	2	08316-1008B	NUT
18	4	09168-06023	WASHER, OIL GALLERY EXHAUST
19	4	09160-10039	WASHER (10.5X22X2.3)
20-1	1	09482-00410	SPARK PLUG (NGK,CR9EK)
20-2	1	09482-00459	SPARK PLUG (ND,U27ESR-N)
20-3	1	09482-00412	SPARK PLUG (NGK,CR8EK)
20-4	1	09482-00462	SPARK PLUG (NGK,CR10EK)
20-5	1	09482-00413	SPARK PLUG (DENSO,U24ETR)
20-6	1	09482-00463	SPARK PLUG (DENSO,U31ETR)
21	2	11175-47D00	CAP, INSPECTION
22	2	11177-14D01	O RING
23	4	01550-0620A	BOLT
24	1	09241-25007	PLUG, HEAD
25	1	13101-14D21	PIPE, INTAKE
26	1	09280-40010	.O RING, INTAKE PIPE
27	2	07120-0620B	BOLT
28	1	09402-52208	CLAMP, CARB
31	1	09493-26004	.JET, AIR (1.3)
32	1	09493-60004	.JET, MAIN AIR (0.6)
33	1	09352-30503-600	.HOSE
34	1	13671-15D60	.CLIP
35	1	02112-05087	.SCREW
36	1	09352-70113-600	HOSE (SILENCER TO IAC)
37	1	09355-45855-600	.HOSE (4.5X8.5X600)
38	1	09352-50823-600	HOSE
39	1	13671-14E00	.CLIP
40-1	1	09404-06432	.CLAMP, SW LEADS
40-2	1	09404-06432	.CLAMP, SW LEADS

FIG. 2

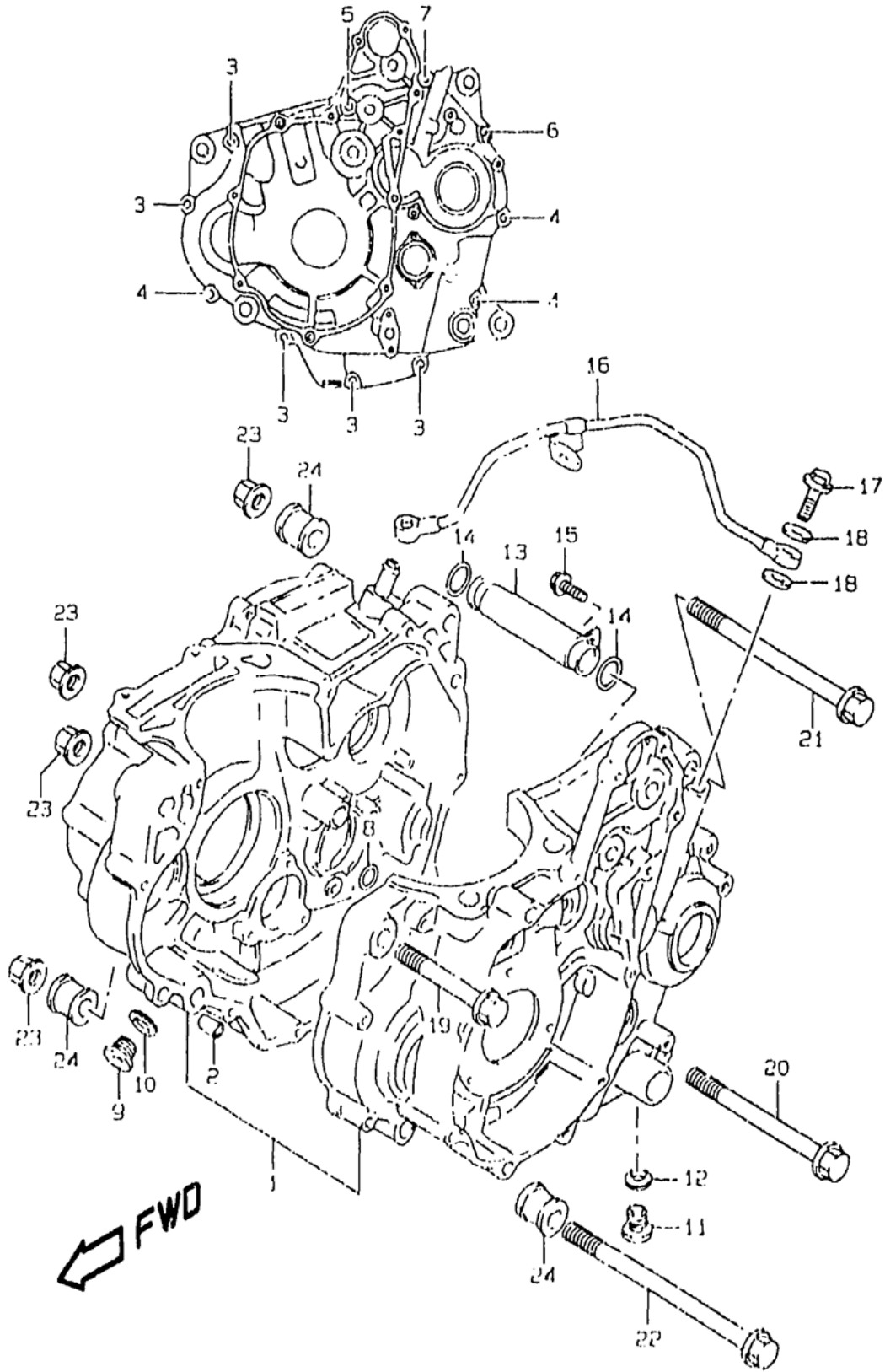


← FWD

**Table 2. CYLINDER**

Reference Number	Quantity Required	Part Number	Description
1	1	11210-47D00-0F0	CYLINDER
2	2	01421-0620A	STUD BOLT
3	2	08322-0106A	WASHER
4	2	09140-06502	NUT
5	1	11241-14D01	GASKET, CYLINDER
6	2	04211-13189	PIN

FIG. 3

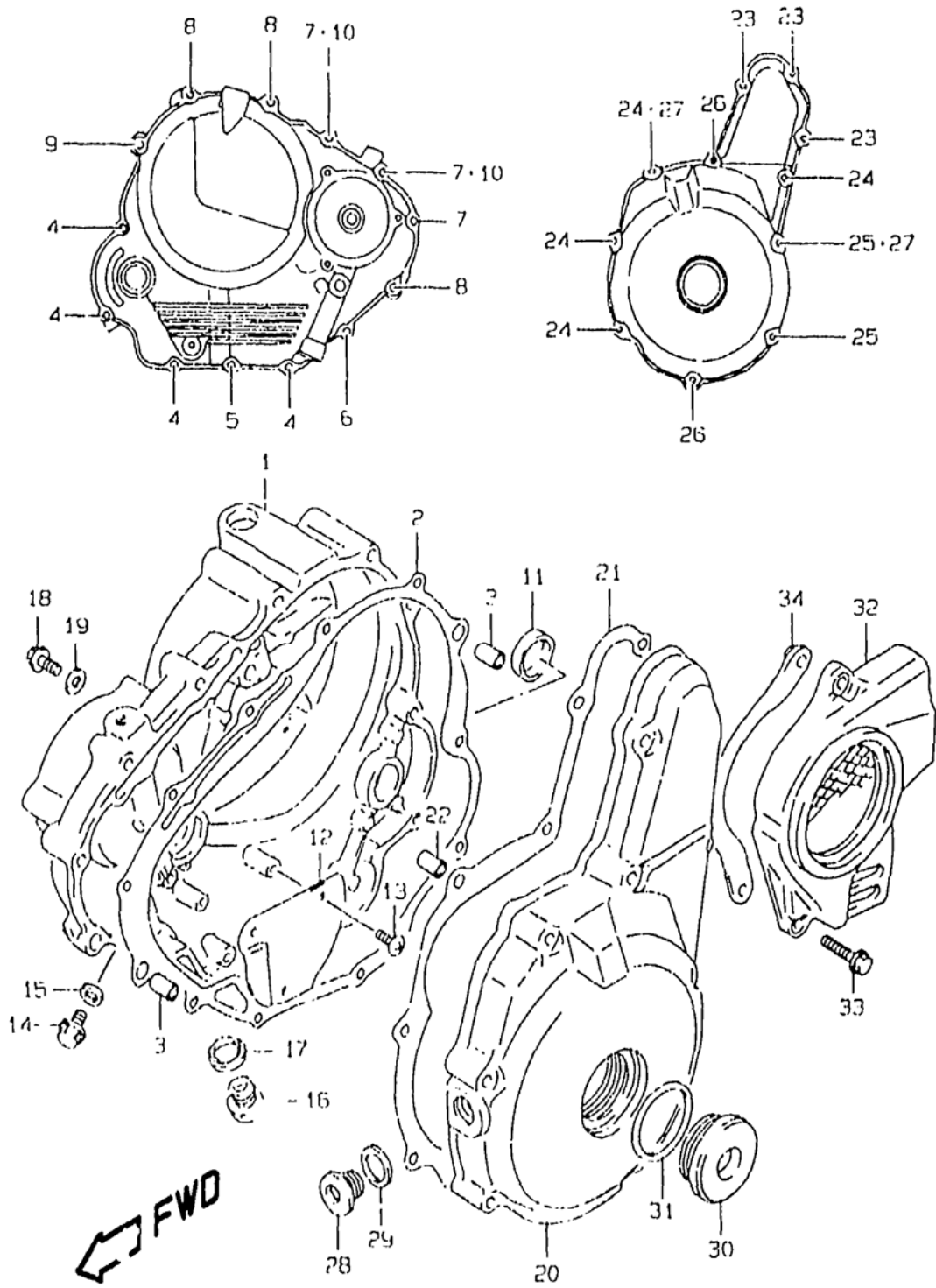




**Table 3. CRANKCASE**

Reference Number	Quantity Required	Part Number	Description
1	1	11301-15814	CRANKCASE SET
2	2	04211-09149	DOWEL PIN
3	5	01547-0645B	BOLT
4	3	01547-0650B	BOLT
5	1	01547-0665B	BOLT
6	1	01547-06707	BOLT, HEAD COVER CAP NO.1
7	1	01547-0690B	BOLT
8	1	09280-12009	O RING, CRANKCASE
9	1	09248-14005	PLUG, OIL GALLERY
10	1	09168-14004	.GASKET (14.1X18X1.5)
11	1	01500-1220B	BOLT
12	1	09168-12002	GASKET, OIL LEVEL PLUG
13	1	11450-14D01	PIPE, MISSION OIL INNER
14	2	09280-15007	O RING (D:2.4 ID:15.8)
15	1	01550-0612A	BOLT
16	1	11280-15D10	PIPE, MISSION OIL OUTER
17	2	09360-08011	UNION BOLT, OIL PIPE
18	4	09168-08016	GASKET (8.2X14X1.0)
19	1	09103-10230	BOLT (10X85)
20	1	09103-10242	BOLT (10X100)
21	1	09103-10063	BOLT, MUFFLER BRACKET & CVT
22	1	09103-10241	BOLT (10X143)
23	4	09159-10115	NUT
24	3	11611-14D00	SPACER (L:19.85)

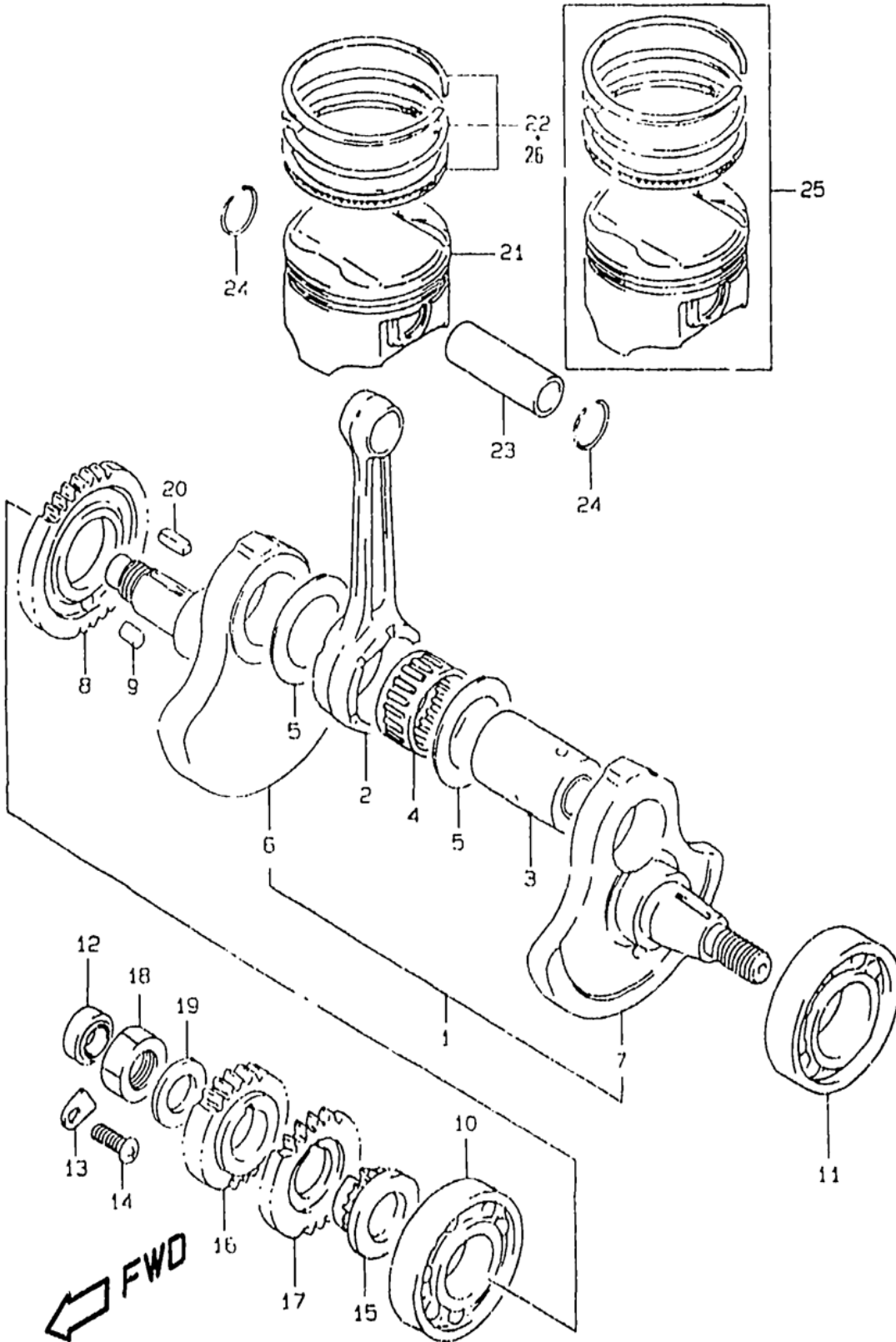
FIG. 4



**Table 4. CRANKCASE COVER**

Reference Number	Quantity Required	Part Number	Description
1-1	1	11340-47810	COVER, CLUTCH
1-2	1	11340-47810	COVER, CLUTCH
2	1	11482-14D03	GASKET, CLUTCH COVER
3	2	04211-09149	DOWEL PIN
4	4	01547-0625B	BOLT
5	2	01547-0630B	BOLT
6	2	01547-06353	BOLT, WATER PUMP
7	3	01547-0640B	BOLT
8	2	01547-0660B	BOLT
9	1	01547-0665B	BOLT
10	4	09168-06024	.GASKET
11	4	11342-15D00	PLUG, CLUTCH COVER KICK
13	3	02142-0510B	SCREW
14	1	09103-06078	BOLT, STARTING MOTOR
15	1	09168-06004	GASKET (6.2X11X1.2)
16	1	09248-10007	.PLUG, PARKING PAWL
17	1	09168-10002	GASKET, OIL GALLERY PLUG
18-1	1	09128-06058	BOLT (6X10)
18-2	1	09128-06044	SCREW (6X10)
19	1	09168-06024	.GASKET
20	1	11351-15D02	COVER, MAGNETO
21	1	11483-15D02	GASKET, MAGNETO COVER
22	2	04211-09149	DOWEL PIN
23	3	01547-0625B	BOLT
24	5	01547-0640B	BOLT
25	2	01547-0645B	BOLT
26	1	01547-0650B	BOLT
27	2	09168-06024	.GASKET
28	1	09248-14005	PLUG, OIL GALLERY
29	1	09168-14004	.GASKET (14.1X18X1.5)
30	1	09259-36016-20H	PLUG, CRANKSHAFT HOLE
31	1	09280-33004	O RING (ID:32.7,DD:3.1)
32	1	11360-14D01	COVER, ENGINE SPROCKET
33	2	01547-0625B	BOLT
34	1	27640-14D10	PLATE, FRONT CHAIN GUIDE

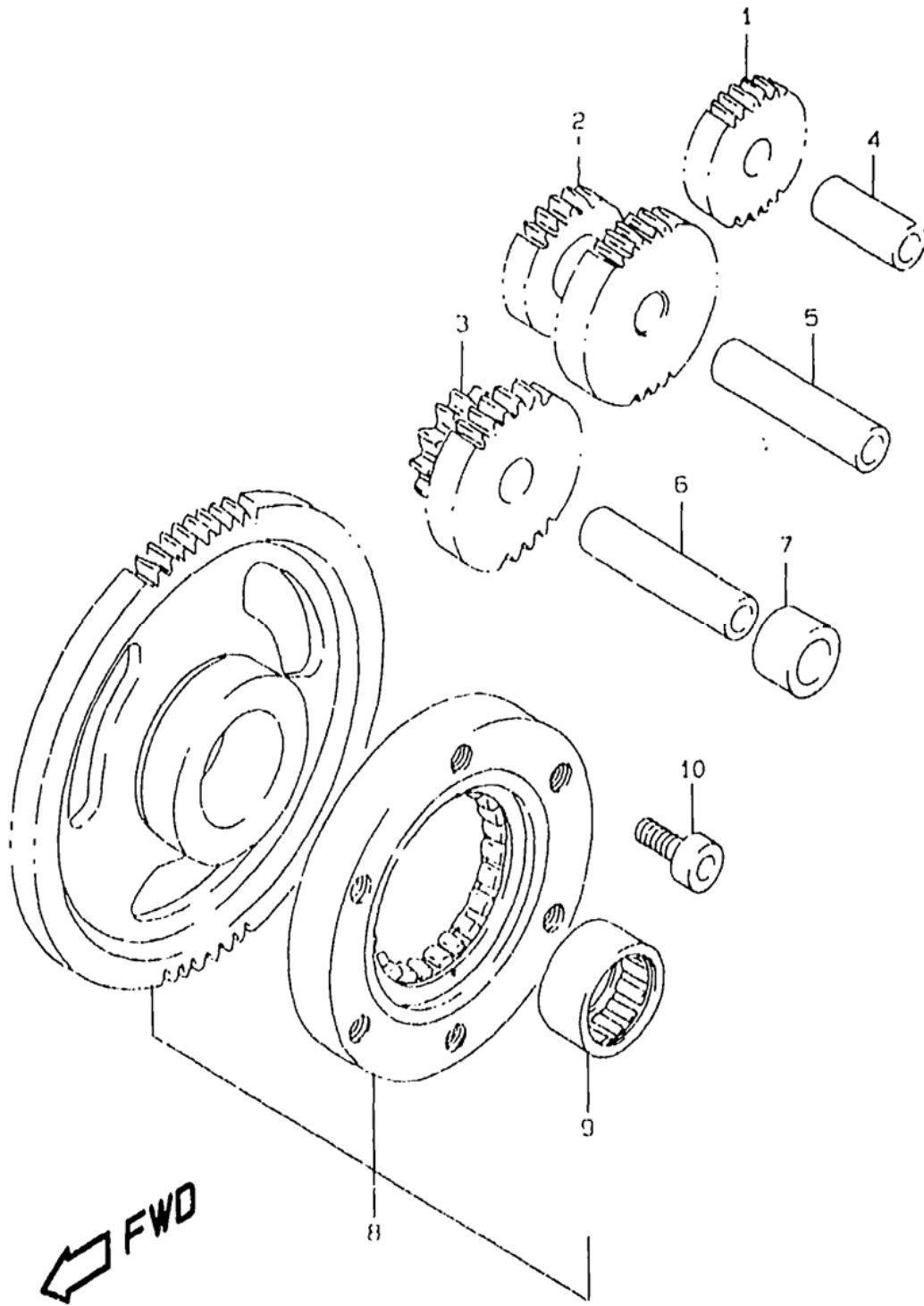
FIG. 5



**Table 5. CRANKSHAFT**

Reference Number	Quantity Required	Part Number	Description
1	1	12200-14E00	CRANKSHAFT ASSY
2	1	12161-14D00	.ROD, CONNECTING
3	1	12210-14D03	.PIN, CRANK
4	1	09263-34005	.BEARING (34X43X22)
5	2	09160-34003	.WASHER (34X52X1)
6	1	12221-14D01	.CRANKSHAFT, RH
8	1	12661-14D00	GEAR, BALANCER DRIVE (NT:37)
9	1	04221-08149	PIN
10	1	09262-30077	BEARING (30X72X19)
11	1	09262-35038	BEARING (35X72X17)
12	1	09282-14003	OIL SEAL, RH (14X24X6)
13	1	24742-18A00	RETAINER, OIL SEAL RH
14	1	02112-0612A	SCREW
15	1	12731-14D00	SPROCKET, CAM CHAIN DRIVE
16-1	1	21111-15D21	GEAR, PRIMARY DRIVE (NT:20)
16-2	1	21111-15D21	GEAR, PRIMARY DRIVE (NT:20)
17	1	16321-15D01	GEAR,OIL PUMP D
18	1	09140-18012	NUT
19	1	09164-18001	WASHER
20	1	09421-05009	KEY
21	1	12111-14D03-0F0	PISTON
22	1	12140-14D10	RING SET, PISTON
23	1	12151-24A00	PIN, PISTON
24	2	09381-20004	CIRCLIP
25-1	1	12100-14D01-050	PISTON SET (OS:0.5)
26-1	1	12140-14D10-050	RING SET (OS:0.5)
26-2	1	12140-14D10-100	RING SET (OS:1.0)

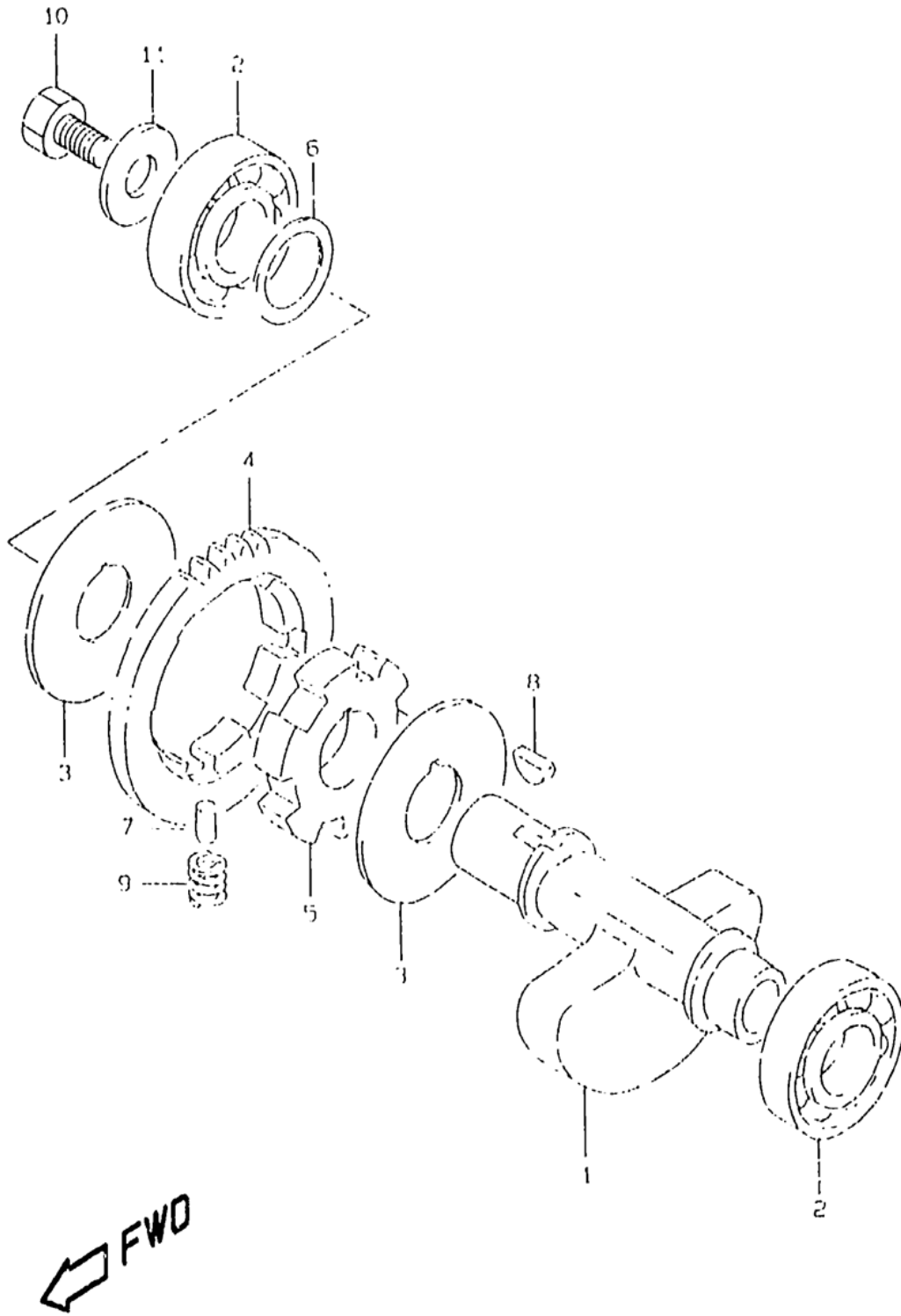
FIG. 6



**Table 6. STARTER CLUTCH**

Reference Number	Quantity Required	Part Number	Description
2	1	12612-15D00	GEAR, STARTER IDLE NO.2
3	1	12613-15D00	GEAR, STARTER IDLE NO.3
4	1	09206-10012	PIN (10x32)
5	1	09206-10011	PIN (10x55.5)
6	1	09206-12003	PIN (12x55.5)
7	1	09180-12139	SPACER
8	1	12600-47821	CLUTCH SET,STAR
9	1	09263-29008	.BEARING (29X36X18)
10	6	07130-0816A	BOLT

FIG. 7

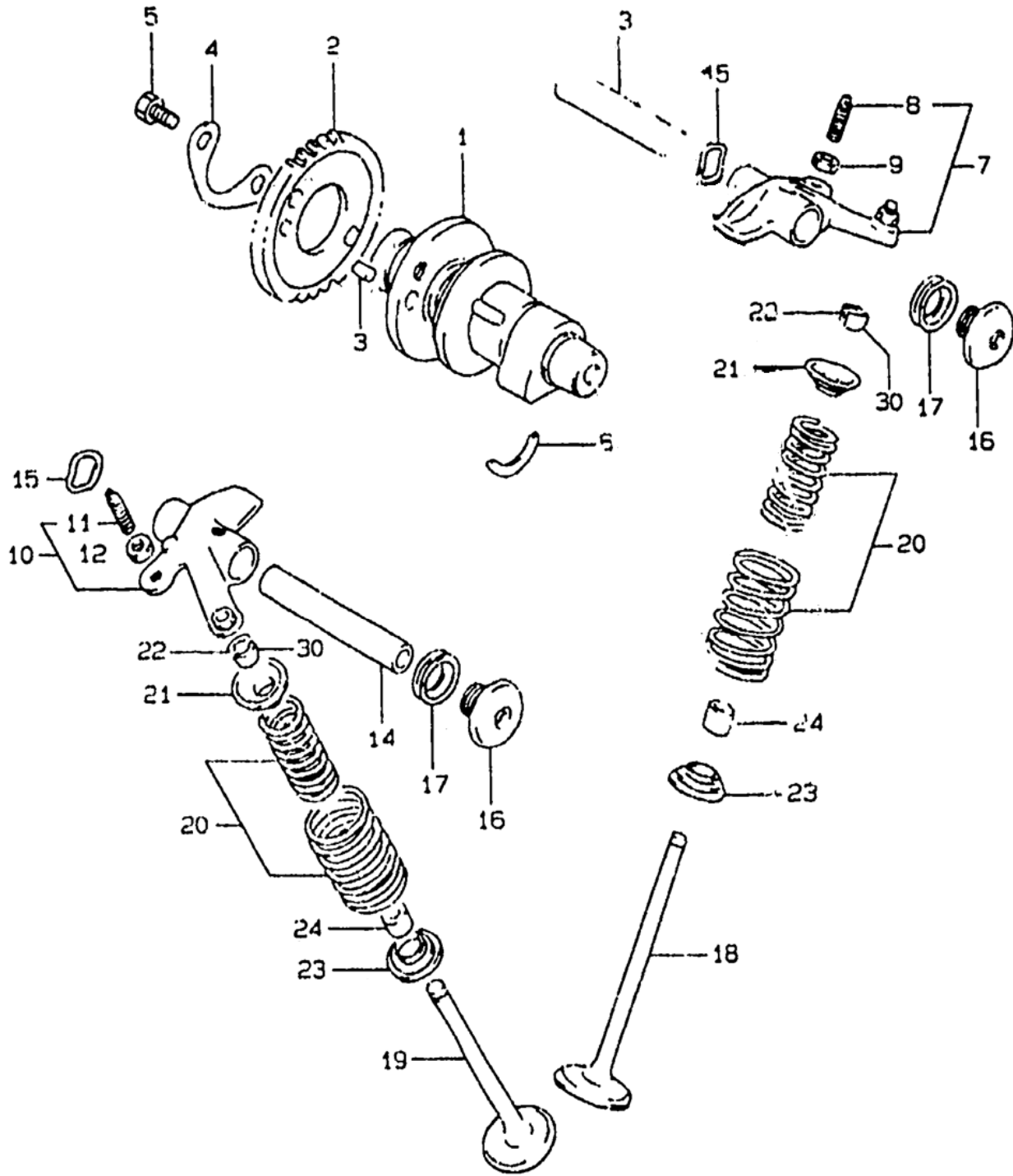




**Table 7. CRANK BALANCER**

Reference Number	Quantity Required	Part Number	Description
1	1	12651-14D01	SHAFT, CRANK BALANCER
2	2	09262-20121	BEARING (ID:20,OD:47)
3	2	09166-20012	WASHER, DRIVEN GEAR
4	1	12666-14D02	GEAR, DRIVEN (NT:37)
5-1	1	12669-24B01	RACE, INNER
5-2	1	12669-24B01	RACE, INNER
6	1	09181-20158	WASHER
7	3	09202-04017	PIN (D:4.5,L:9.5)
8	1	09420-04008	KEY
9	6	09440-09031	SPRING
10	1	01500-10163	BOLT
11	1	08211-10283	WASHER

**FIG. 8**

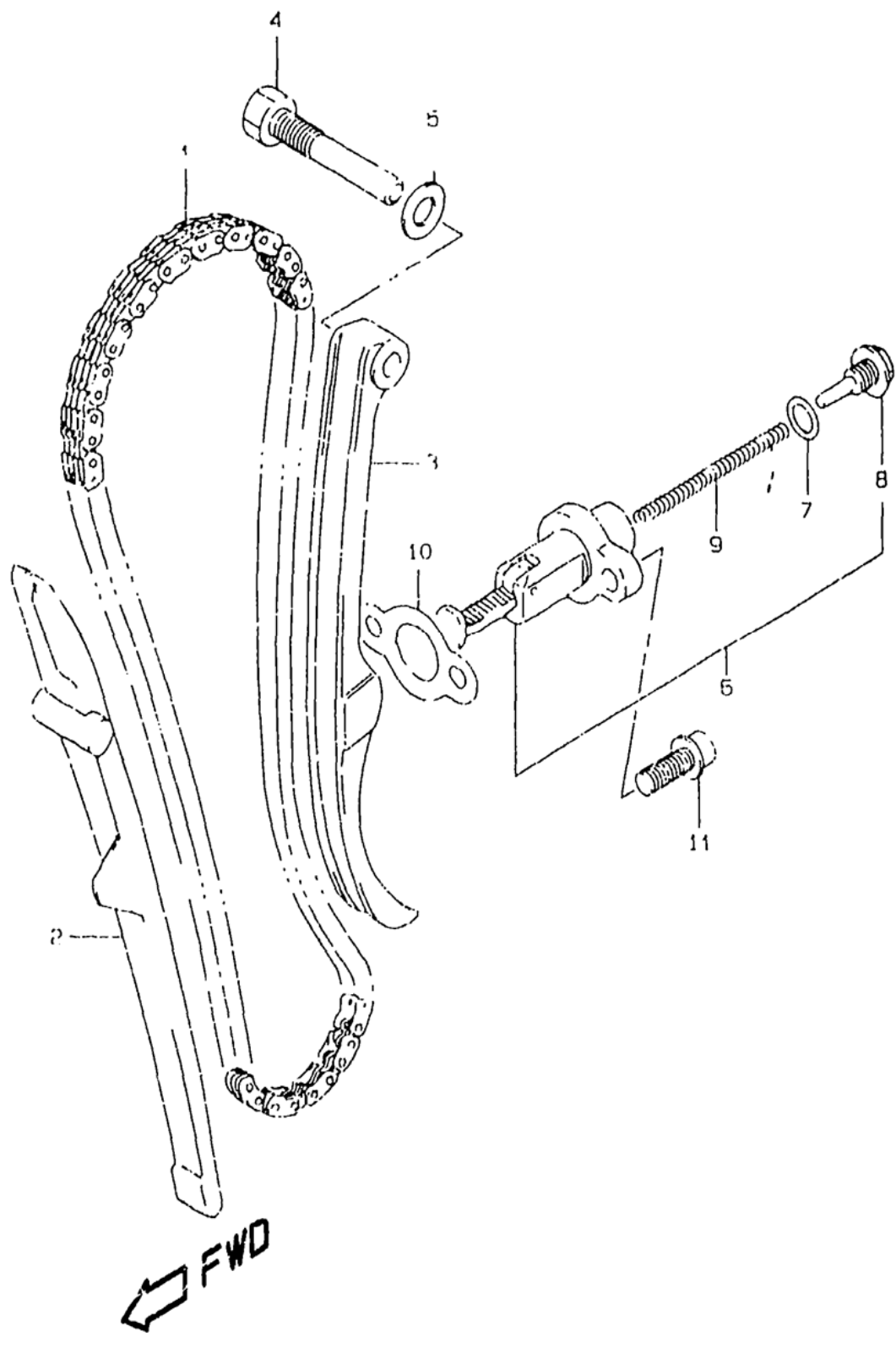


**FWD**

**Table 8. CAM SHAFT VALVE**

Reference Number	Quantity Required	Part Number	Description
1-1	1	12710-14D70	SHAFT COMP,CAM
1-2	1	12710-14D70	SHAFT COMP,CAM
2	1	12741-14D50	SPROCKET, CAM SHAFT
3	1	09261-05005	PIN
4	1	12747-44B00	WASHER
5	2	09111-06032	BOLT
6	1	09390-22002	C RING
7	1	12840-15G00	ARM, VALVE ROCKER, IN
8	2	12842-17C50	.SCREW
9	2	12843-27A00	.NUT, TAPPET ADJUSTING
10	1	12850-14D50	ARM, VALVE ROCKER, EX
11	2	12842-17C50	.SCREW
12	2	12843-27A00	.NUT, TAPPET ADJUSTING
13	1	12861-14D50	SHAFT, ROCKER ARM IN
14	1	12871-14D50	SHAFT, ROCKER ARM EX
15	2	09164-12018	WASHER
16	2	09248-14005	PLUG, OIL GALLERY
17	2	09168-14004	.GASKET (14.1X18X1.5)
18	2	12911-14D10	VALVE, INTAKE
19	2	12912-14D01	VALVE, EXHAUST
20	4	12920-06B00	SPRING SET, VALVE, IN
21	4	12931-27A01	RETAINER, SPRING
22	8	12932-27A00	COTTER, VALVE
23	4	12933-81400	SEAT, VALVE
24	4	09289-05011	OIL SEAL (4.5X10X8)

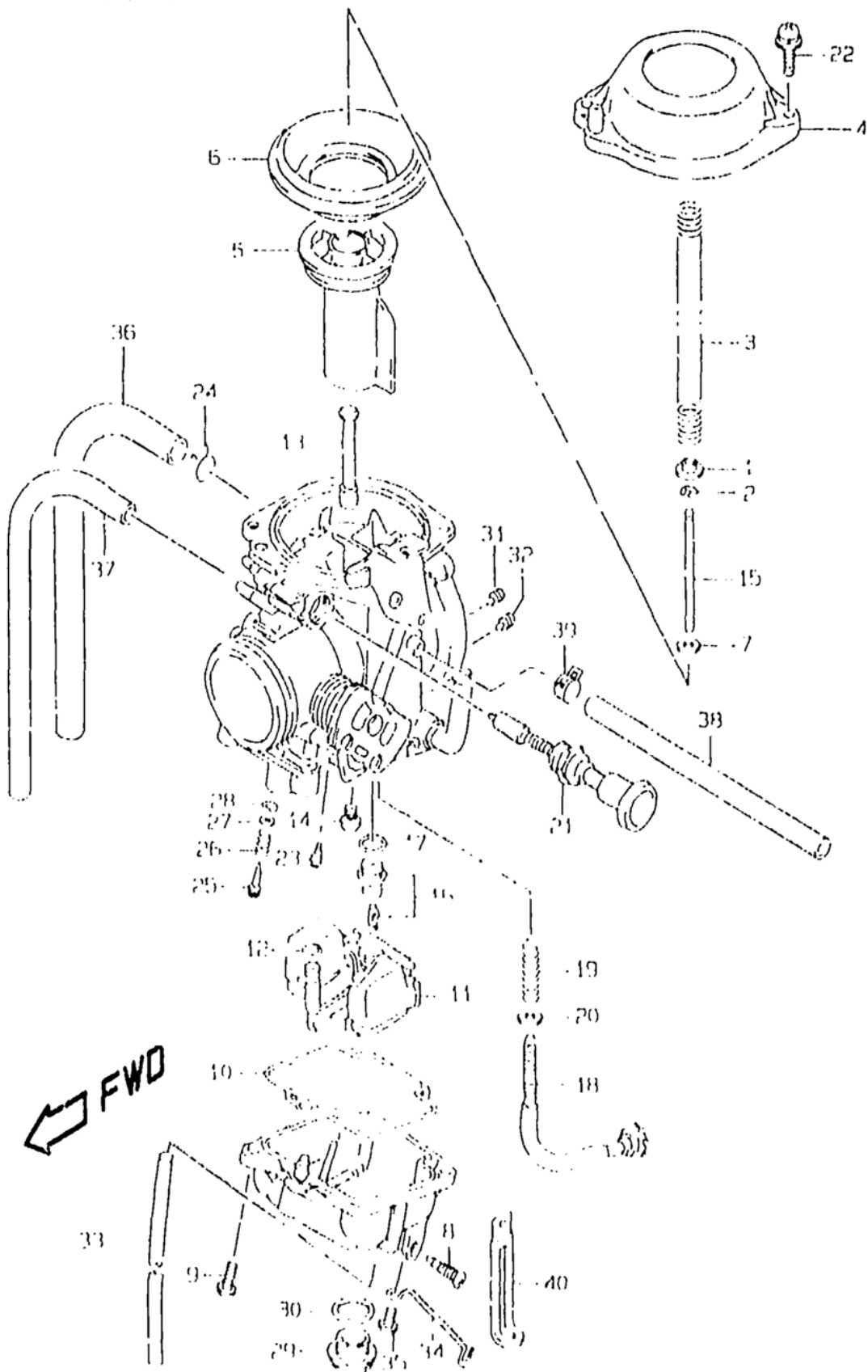
FIG. 9



**Table 9. CAM CHAIN**

Reference Number	Quantity Required	Part Number	Description
1	1	12760-19B71	CHAIN, CAM (108LE)
2	1	12771-14D10	GUIDE, CAM CHAIN
3	1	12811-14D10	TENSIONER, CAM CHAIN
4	1	12812-32410	BOLT, CAM CHAIN TENSIONER
5	1	09168-08016	GASKET (8.2X14X1.0)
6	1	12830-29B11	ADJUSTER ASSY, TENSIONER
7	1	12832-02A00	.O RING
8	1	12834-26B00	.PLUG
9	1	12833-29B00	.SPRING
10	1	12837-19B10	GASKET
11	2	07120-0620B	BOLT

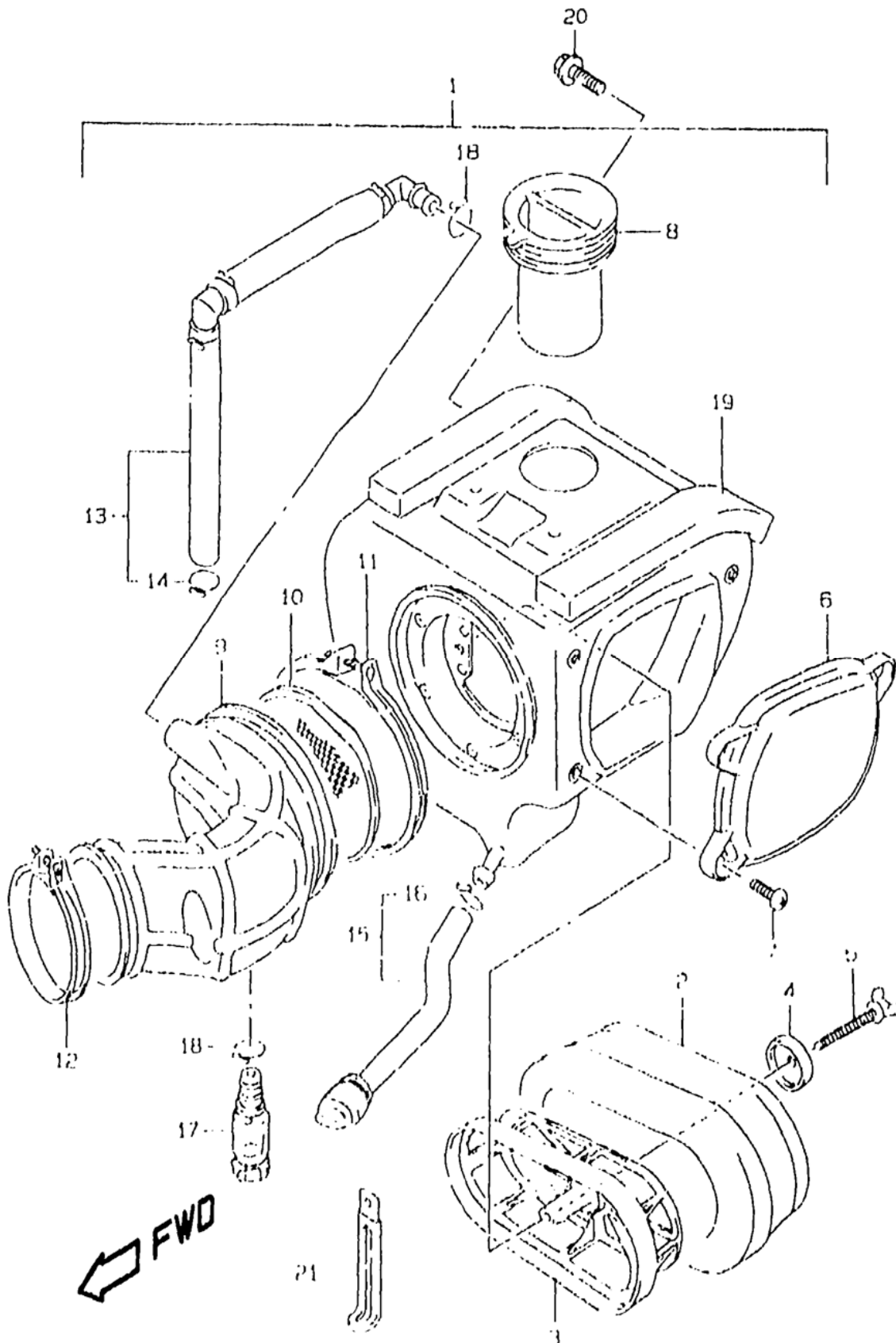
FIG. 10



**Table 10. CARBURETOR**

Reference Number	Quantity Required	Part Number	Description
	1	13200-14EP1	CARBURETOR ASSY
-1	1	13200-14ES1	CARBURETOR ASSY
1	1	13382-42A00	.RING
2	1	13394-01D00	.E RING
3	1	13417-44B00	.SPRING
4	1	13502-01D00	.COVER, DIAPHRAGM
5	1	13551-44B10	.VALVE, PISTON
6	1	13507-44B00	.DIAPHRAGM
7	1	13387-47010	.RING
8	1	13247-02340	.SCREW, DRAIN
9	2	02112-05127	SCREW
10	1	13258-44B00	.GASKET, FLOAT CHAMBER
11	1	13240-17E10	.FLOAT ASSY
12	1	13374-46710	.O RING
13	1	09494-00883	.JET, NEEDLE (0-6M)
14	1	09491-25011	.JET, MAIN (127.5)
15	1	13383-14D20	.NEEDLE, JET (5CD56-3)
16-1	1	13370-02D00	.VALVE ASSY, NEEDLE
16-2	1	13370-02D00	.VALVE ASSY, NEEDLE
17	1	13374-35C00	.O RING
18	1	13267-15E00	.ADJUSTER
19	1	13268-31210	.SPRING
20	1	13615-43010	.WASHER
21	1	13411-14E10	PLUNGER ASSY
22	2	02112-7516A	SCREW
23	1	09492-35010	.JET, PILOT (37.5)
24	1	09401-10410	CLIP
25	1	13279-47070	.SCREW, PILOT (1,1/2)
26	1	13268-47070	.SPRING
27	1	13291-29900	.WASHER
28	1	13295-29900	.O RING
29	1	13247-32210	.CAP, DRAIN
30	1	13249-41310	.O RING
31	1	09493-26004	.JET, AIR (1.3)
32	1	09493-60004	.JET, MAIN AIR (0.6)
33	1	09352-30503-600	.HOSE
34	1	13671-15D60	.CLIP
35	1	02112-05087	.SCREW
36	1	09352-70113-600	HOSE (SILENCER TO IAC)
37	1	09355-45855-600	.HOSE (4.5X8.5X600)
38	1	09352-50823-600	HOSE
39	1	13671-14E00	.CLIP
40-1	1	09404-06432	.CLAMP, SW LEADS
40-2	1	09404-06432	.CLAMP, SW LEADS

**FIG. 11**

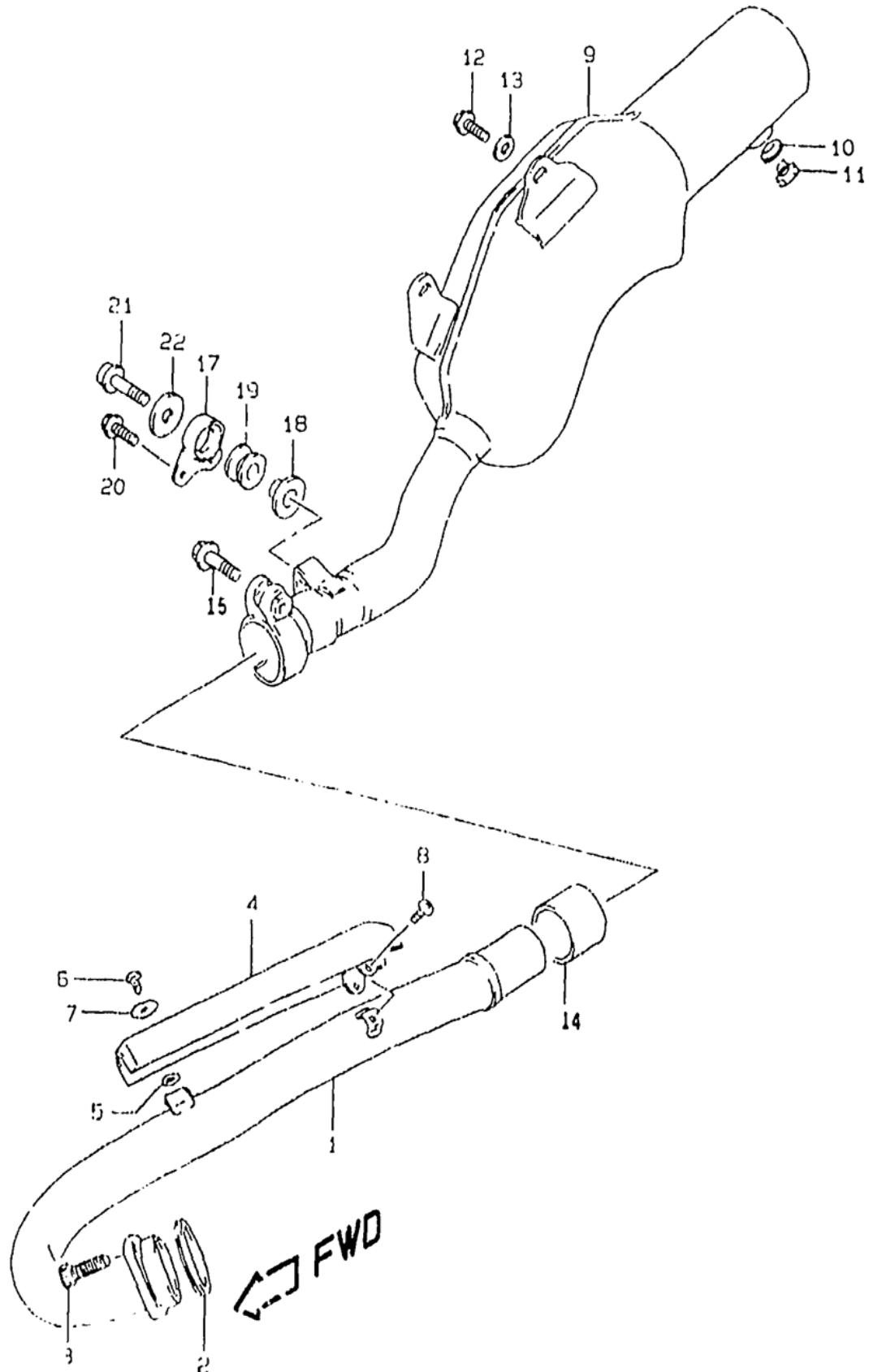




**Table 11. AIR CLEANER**

Reference Number	Quantity Required	Part Number	Description
1	1	13700-14D40	CLEANER ASSY, AIR
2	1	13780-14D02	.FILTER
3	1	13791-14D00	.HOLDER, FILTER
4	1	13792-13A01	.WASHER, FILTER
5	1	13831-02B00	.BOLT, WING
6	1	13740-14D00	.CAP, AIR CLEANER
7	3	02142-05207	.SCREW
8	1	13891-14D10	.TUBE, INLET
9	1	13881-14D30	.TUBE, OUTLET
10	1	13810-14D02	.TRAP, FRAME
11	1	13826-14D01	.CLAMP (CLEANER SIDE)
12	1	09402-66208	CLAMP
13	1	13850-14D41	.TUBE, BREATHER
14	1	09401-14301	.CLIP
15	1	13870-14D20	.TUBE, DRAIN, A
16	1	09401-14301	.CLIP
17	1	13870-11458	.TUBE, DRAIN
18	2	09401-14301	.CLIP
19	1	13736-14D20	.CUSHION
20	3	01550-0612A	BOLT
21-1	1	09404-08419	CLAMP (L:97)
21-2	1	09404-08207	CLAMP

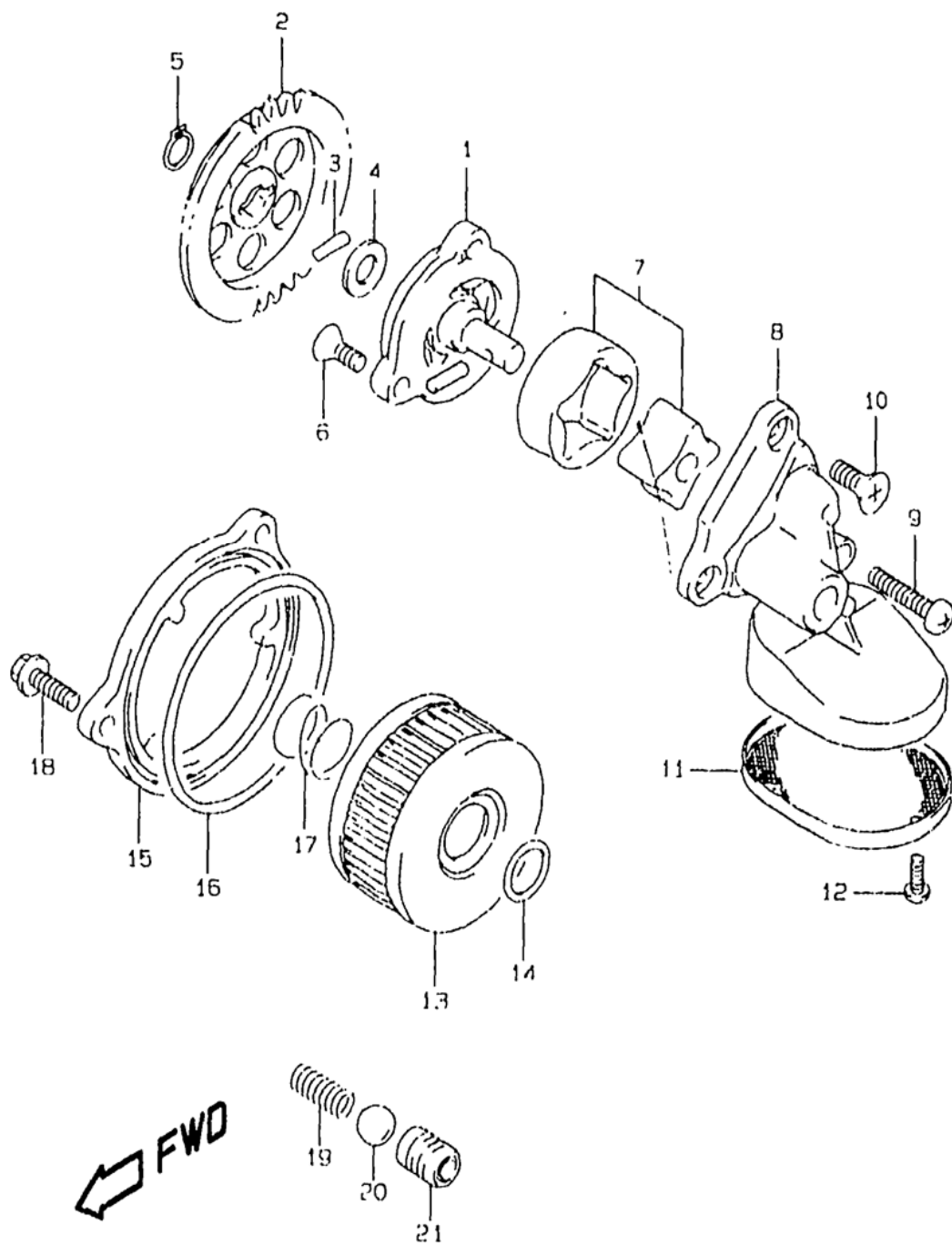
FIG. 12



**Table 12. MUFFLER**

Reference Number	Quantity Required	Part Number	Description
1	1	14150-14E00	PIPE, EXHAUST
2	1	14181-40C00	GASKET, EXHAUST PIPE
3	2	07130-0825B	BOLT, SPEED ROTOR
4	1	14180-14D10	COVER, EXHAUST PIPE
5	1	09168-06120	.GASKET (5.8X13X1.4)
6	1	09139-06076	SCREW, EXHAUST COVER
7	1	09160-06056	WASHER (6.5X18X1)
8	2	02142-0508A	SCREW
9	1	14310-14D73-H01	MUFFLER ASSY
10	2	09168-12002	GASKET, OIL LEVEL PLUG
11	2	09247-12103	PLUG, TDC
12	2	09103-08286	BOLT, REAR
13	2	09160-08039	WASHER
14	1	14771-13E00	CONNECTOR
15	1	01550-0835A	BOLT
16	1	14770-14D01	DAMPER, JOINT
17	1	09180-08151	SPACER (8.6X12X17.5)
18	1	09320-12043	CUSHION
19	2	09103-06285	BOLT
20	1	09103-08197	.BOLT, REAR FINAL GR
21-1	1	09160-08135	WASHER (8.5X28X1.6)
21-2	1	09160-08135	WASHER (8.5X28X1.6)

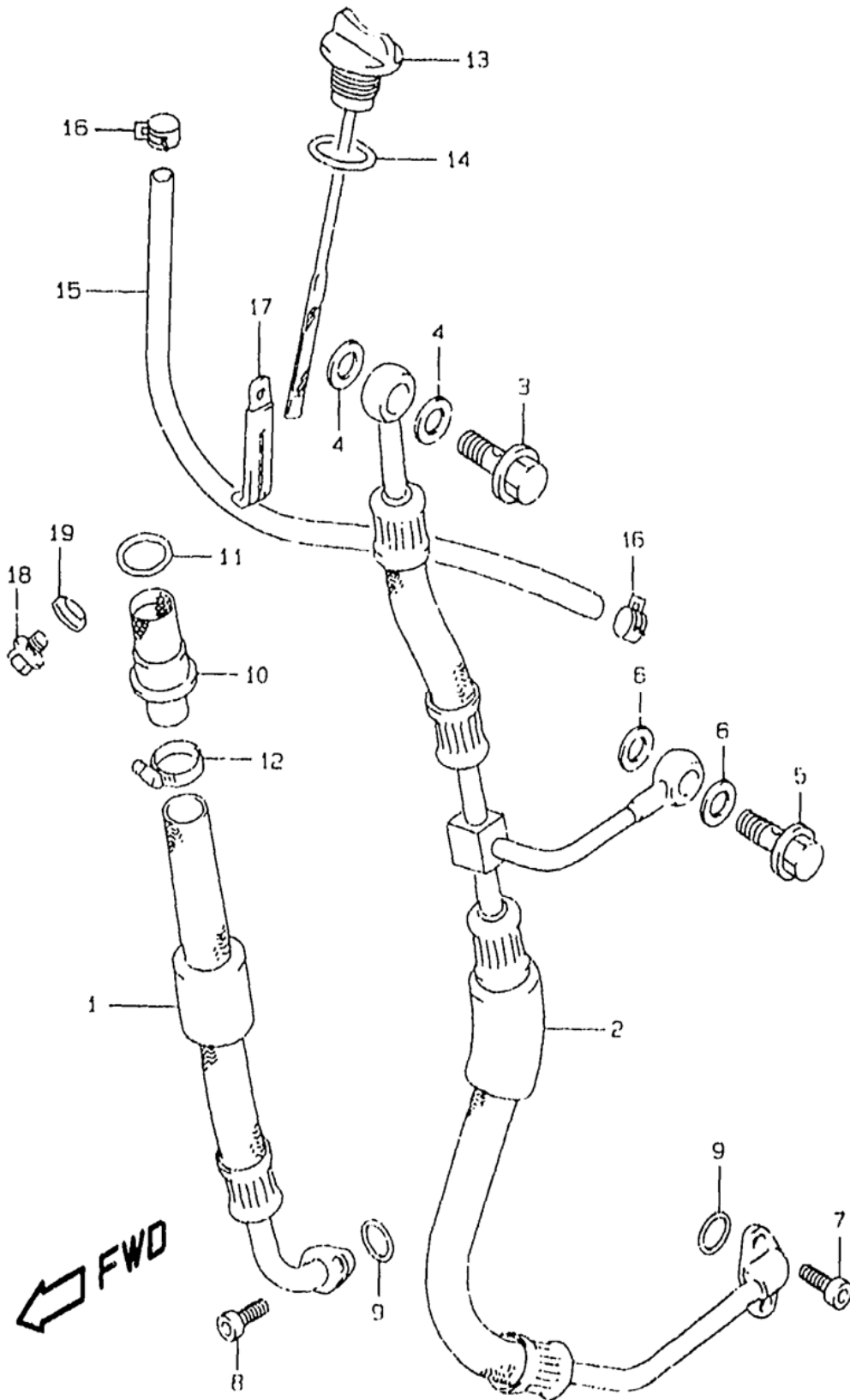
FIG. 13



**Table 13. OIL PUMP**

Reference Number	Quantity Required	Part Number	Description
1	1	16400-14D01	PUMP ASSY, ENGINE OIL NO.1
2	1	16331-14D01	GEAR, DRIVEN (NT:47)
3	2	09261-04009	PIN
4	1	09181-10158	WASHER
5	1	08331-3110A	CIRCLIP
6	3	02122-0616A	.SCREW
7	1	16410-14D00	ROTOR SET, OIL PUMP
8	1	16431-14D01	COVER, OIL PUMP NO.2
9	1	02112-0630A	SCREW
10	2	02122-0616A	.SCREW
11	1	16520-14D00	STRAINER, ENGINE OIL
12	3	02112-0510A	.SCREW
13	1	16510-38240	FILTER, ENGINE OIL
14	1	09280-15007	O RING (D:2.4 ID:15.8)
15	1	16512-14D00	CAP, OIL FILTER
16	1	09280-72001	O RING (D:2.4, ID:73)
17	1	09440-21006	SPRING
18	3	01547-0620B	BOLT, THERMOSTAT COVER
19	1	09440-07073	SPRING
20	1	06111-12004	BALL
21	1	16442-14D00	SEAT, OIL CHECK VALVE

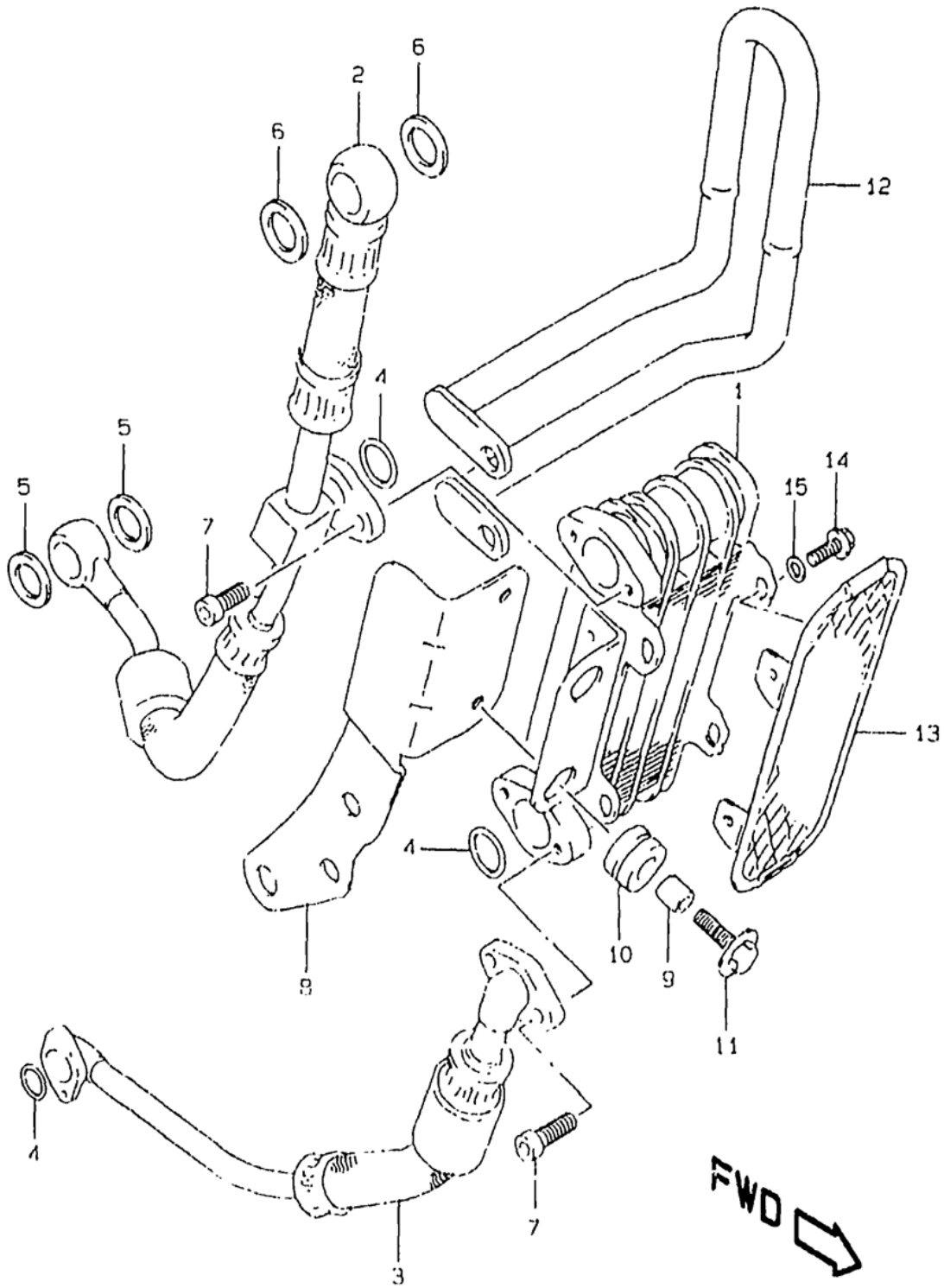
**FIG. 14**



**Table 14. OIL HOSE**

Reference Number	Quantity Required	Part Number	Description
1	1	16460-14D03	HOSE, OIL TANK INLET
2	1	16470-14D51	HOSE, OIL TANK OUTLET
3	1	09360-16002	BOLT, UNION (16X32)
4-1	2	09168-16003	GASKET (16X22X2.0)
4-2	2	09168-16002	GASKET (16X22X2.0)
5	1	09360-12008	UNION
6	2	09168-12017	GASKET
7	2	07130-0616A	BOLT, PISTON JET VALVE
8	2	07130-0620B	BOLT
9	2	09280-12008	O RING (D:2.4,ID:12.3)
10	1	16550-14D02	STRAINER, FRAME HEAD UNDER
11	1	09280-22008	O RING (D:3.1,ID:22.7)
12	1	09402-22511	CLAMP
13	1	16560-14D01	GAUGE, OIL LEVEL
14	1	09280-17003	O RING, OIL FILLER CAP
15	1	16480-47D00	HOSE, OIL OVER FLOW
16	2	09401-11415	CLIP
18	1	09247-10008	PLUG, OIL GALLERY
19	1	09168-10002	GASKET, OIL GALLERY PLUG

FIG. 15

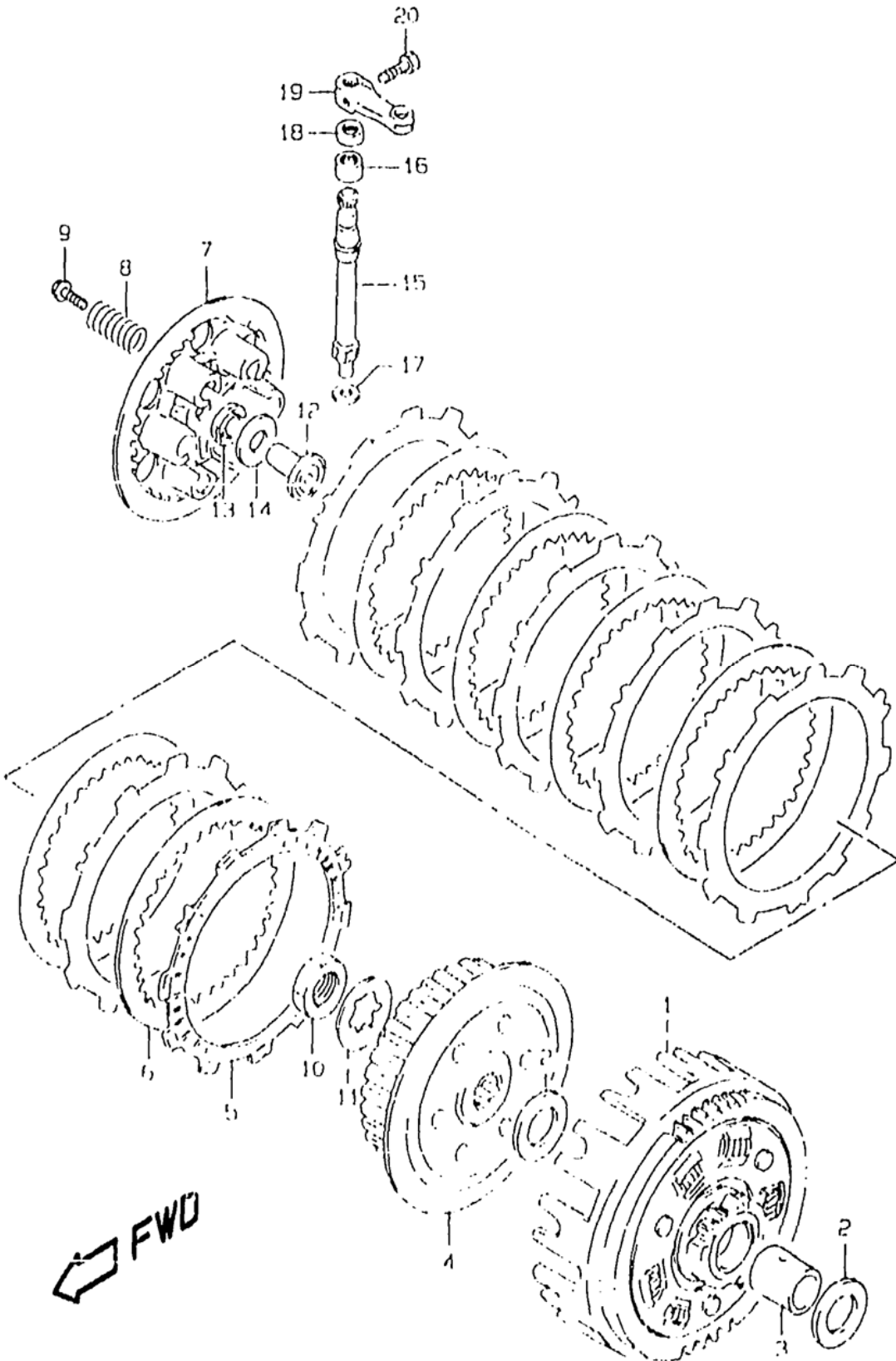




**Table 15. OIL COOLER (OPTIONAL EXCEPT E33)**

Reference Number	Quantity Required	Part Number	Description
1	1	16600-14D00	.OIL COOLER
2	1	16450-14D00	.HOSE, OIL COOLER, UPPER
3	1	16490-14D00	.HOSE, OIL COOLER, LOWER
4	3	09280-12008	O RING (D:2.4,ID:12.3)
5	2	09168-12017	GASKET
6-1	2	09168-16003	GASKET (16X22X2.0)
6-2	2	09168-16002	GASKET (16X22X2.0)
7	4	07130-0616A	.BOLT, PISTON JET VALVE
8	1	16620-14D00	.BRACKET
9	2	09180-06310	.SPACER
10	2	09320-10015	CUSHION
11	2	09116-06115	BOLT
13	1	16650-14D00	.BUMPER, OIL COOLER
14	4	01547-05103	BOLT, GUIDE
15	4	08321-0105A	WASHER, LOCK

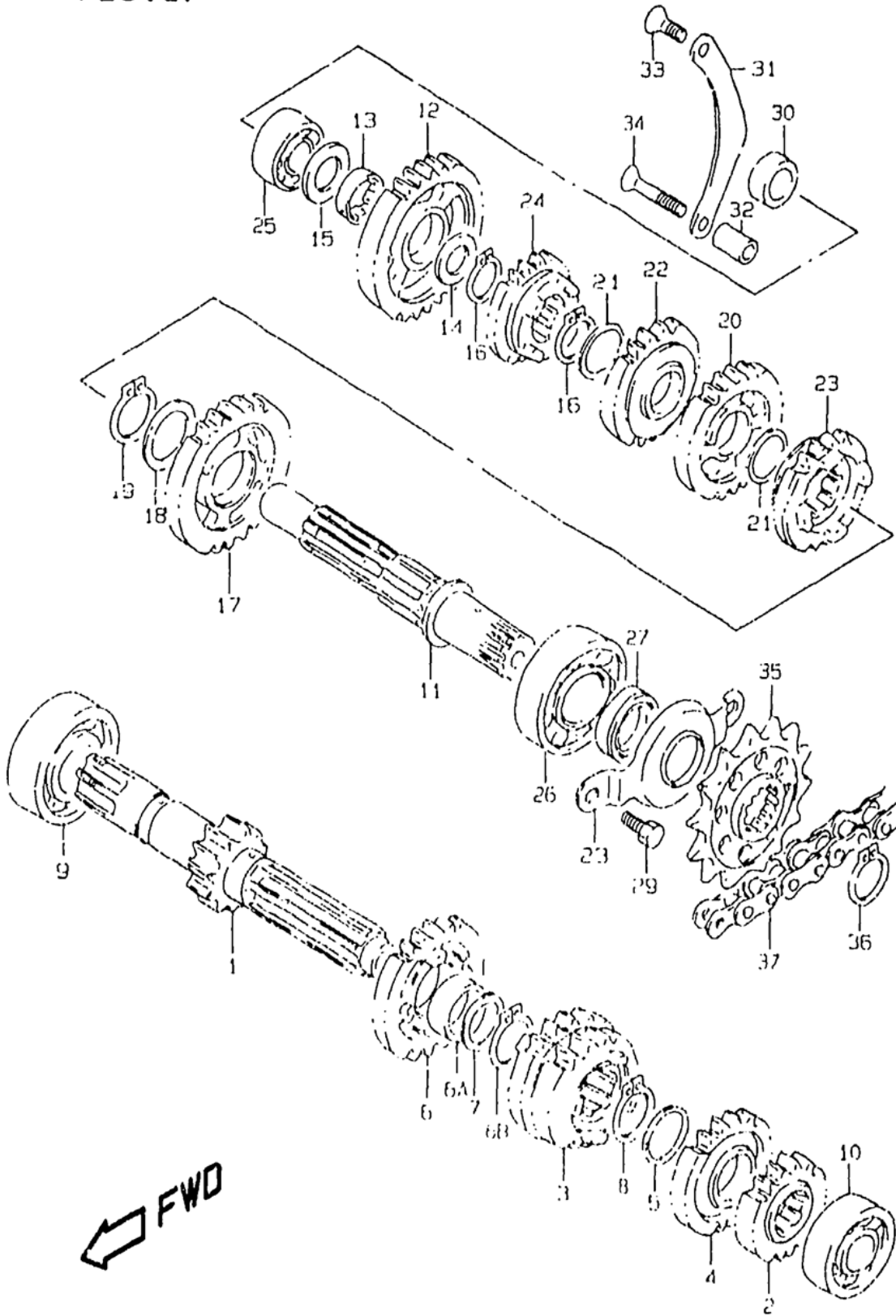
FIG. 16



**Table 16. CLUTCH**

Reference Number	Quantity Required	Part Number	Description
1	1	21200-15D21	GEAR ASSY, PRIMARY DRIVEN
2	2	08211-20363	THRUST WASHER
3	1	09180-20109	SPACER (20X25X29)
4	1	21410-14D00	HUB, SLEEVE
5	7	21441-12D01	PLATE, DRIVE NO.1
6	6	21451-28C31	PLATE, CLUTCH DRIVEN (T:1.6)
7	1	21462-00B02	DISC, PRESSURE
8	6	09440-15014	SPRING
9-1	6	09116-05020	BOLT, CLUTCH REACTION (5X16)
9-2	6	09116-05020	BOLT, CLUTCH REACTION (5X16)
10	1	09140-20001	NUT
11	1	09167-20009	WASHER
12	1	23165-44B01	RACK
13	1	09263-10016	THRUST BEARING (10X24X2.0)
14	1	08211-10241	WASHER, BRG THR
15	1	23261-14D02	PINION (NT:12)
16	1	09263-12024	BEARING, CL RLSE UP
17	1	09181-08139	WASHER, GEAR SHIFT ARM
18	1	09285-10004	OIL SEAL (10X17X5)
19	1	23271-20902	ARM, CL RLSE
20	1	01500-0616A	BOLT

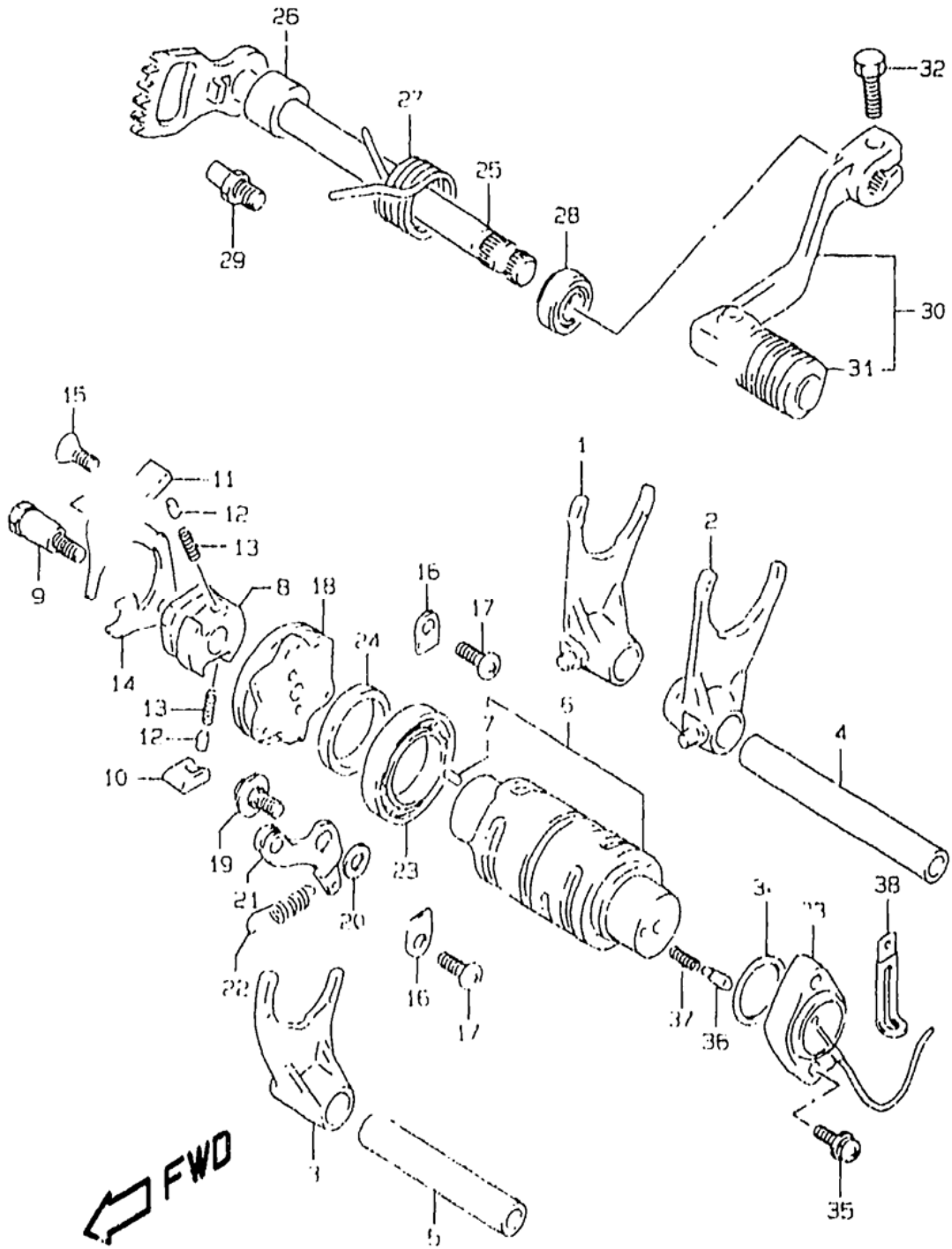
FIG. 17



**Table 17. TRANSMISSION**

Reference Number	Quantity Required	Part Number	Description
1	1	24120-14D03	COUNTERSHAFT (NT:12)
2-1	1	24221-14D01	GEAR, 2ND DRIVE (NT:15)
2-2	1	24221-14D01	GEAR, 2ND DRIVE (NT:15)
3	1	24231-14D00	GEAR, 3RD/4TH DRIVE (NT:18/18)
4	1	24251-14D00	GEAR, 5TH DRIVE (NT:21)
5	1	09181-22111	SHIM
6	1	24261-14D02	GEAR, 6TH DRIVE (NT:23)
6A	1	09300-22008	BUSH (22X27X0.5)
6B	1	08331-3122A	CIRCLIP, FINAL DRIVEN
7	1	09181-22167	WASHER, 6TH DRIVE
8	1	09380-22006	CIRCLIP
9	1	09262-20145	BEARING,20X52X1
10	1	09262-17027	BEARING, CNTR SHAFT LH
11	1	24130-14D14	DRIVESHAFT
12	1	24311-15D00	GEAR, 1ST DRIVEN (NT:30)
13	1	24312-14D00	BUSH, 1ST DRIVEN GEAR
14	1	08211-17322	THRUST WASHER
15	1	09181-22167	WASHER, 6TH DRIVE
16	2	09380-22006	CIRCLIP
17	1	24320-14D00	GEAR, 2ND DRIVEN (NT:26)
18	1	09181-25167	WASHER, 5TH DRIVE
19	1	09380-25010	CIRCLIP
20	1	24331-14D01	GEAR, 3RD DRIVEN (NT:24)
21	2	09181-22139	WASHER (22X28X1.0)
22	1	24341-14D00	GEAR, 4TH DRIVEN (NT:20)
23-1	1	24351-14D01	GEAR, 5TH DRIVEN (NT:20)
23-2	1	24351-14D01	GEAR, 5TH DRIVEN (NT:20)
24	1	24361-14D01	GEAR, 6TH DRIVEN (NT:19)
25	1	09267-17003	BEARING (17X40X17.5)
26	1	09262-22024	BEARING, DRIVE SHAFT, LH
27	1	09283-22025	OIL SEAL (22X34X7)
28	1	24751-14D00	RETAINER, DRIVE SHAFT OIL SEA
29	2	01500-0612A	BOLT
30	1	09180-17004	.SPROCKET DRUM SHAFT SPACER
31	1	26264-14D00	RETAINER
32	1	09180-06314	SPACER (6.5X12X21)
33	1	02122-0616A	.SCREW
34	1	02122-06353	SCREW
35	1	27511-14320	SPROCKET (NT:15)
36	1	09380-22012	CIRCLIP, SPROCKET
37-1	1	27600-01C10-108	CHAIN, DRIVE (DID520V7x108LE)
37-2	1	27600-14A10-108	CHAIN, DRIVE (DID520VC5x108LE)

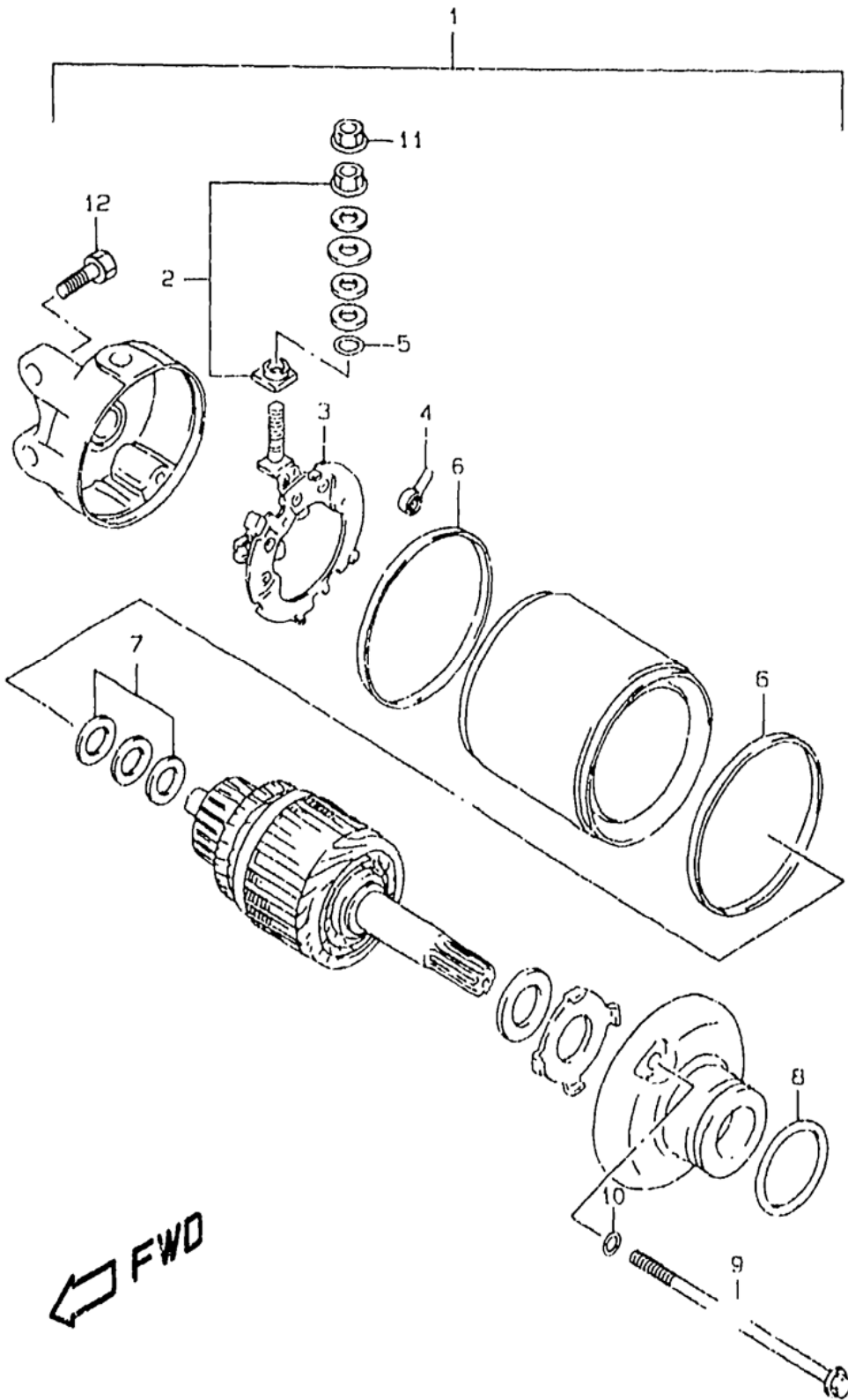
FIG. 18



**Table 18. GEAR SHIFTING**

Reference Number	Quantity Required	Part Number	Description
1	1	25211-14D02	FORK, GEAR SHIFT NO.1
2	1	25221-14D03	FORK, GEAR SHIFT NO.2
3	1	25231-14D02	FORK, GEAR SHIFT NO.3
4	1	25411-37F20	SHAFT, GEAR FORK, NO.1
5	1	25421-14D00	SHAFT, GEAR SHIFT FORK (L:70)
6	1	25310-14D01	CAM
7	2	04221-04089	PIN
8-1	1	25322-31310	GEAR, GEAR SHIFT CAM DRIVEN
8-2	1	25322-31310	GEAR, GEAR SHIFT CAM DRIVEN
9	1	25312-38A00	PIN, SHIFT CAM
10	1	25323-34201	PAWL, GEAR SHIFT, NO.1
11	1	25324-34201	PAWL, GEAR SHIFT, NO.2
12	2	09261-05003	PIN, SHIFT POLE (5X8)
13	2	09440-04003	SPRING, SHIFT PAWL RETURN
14	1	25331-14D00	LIFTER, PAWL
15	2	02122-0612A	SCREW
16	2	24741-21A00	RETAINER, SHIFT CAM BEARING
17	2	02112-0612A	SCREW
18	1	25380-14D01	PLATE, STOPPER
19	1	09111-06041	BOLT (6X14.3)
20	1	08211-06141	WASHER
21	1	25350-14D01	STOPPER, CAM
22	1	09443-09026	SPRING
23	1	08113-69050	BEARING, SHIFT CAM
24	1	09160-25068	WASHER (25X32X5.3)
25	1	25510-14D01	SHAFT, GEAR SHIFTING
26	1	09180-12068	SPACER (12X20X15.3)
27	1	09444-26004	SPRING
28	1	09285-12006	OIL SEAL (12X22X9)
29	1	25671-36A00	STOPPER, GEAR SHIFT
30	1	25600-15D20	LEVER, GEAR SHIFTING
31	1	25652-03D00	.RUBBER, GEAR PEDAL
32	1	01500-0620A	BOLT, GEAR SHIFT LINK ARM
33	1	37720-47D00	BASE ASSY, TERMINAL
34	1	09280-26005	O RING (D:2.4 ID:26.2)
35	2	02112-7520A	SCREW
36	1	09209-05011	CONTACT
37	1	09440-04010	SPRING
38-1	1	09404-06432	.CLAMP, SW LEADS
38-2	1	09404-06432	.CLAMP, SW LEADS

FIG. 19

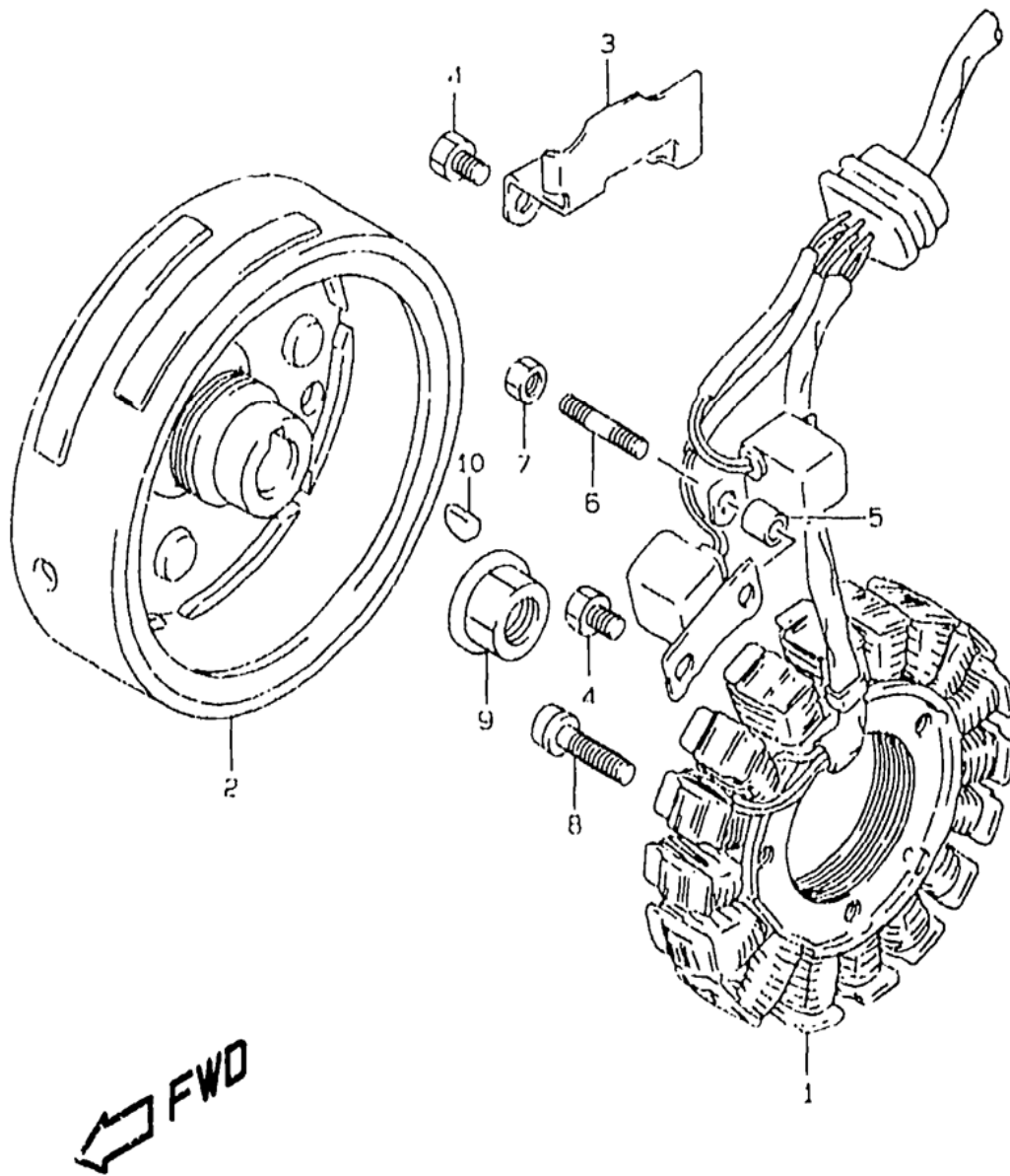




**Table 19. STARTING MOTOR**

Reference Number	Quantity Required	Part Number	Description
1	1	31100-15D10	MOTOR ASSY, STARTING
2	1	31130-13E00	.BRUSH TERMINAL SET
3	1	31132-33E00	.BRUSH HOLDER SET
4	2	31135-31300	.SPRING, BRUSH
5	1	31143-49040	.O RING
6	2	31156-13E00	..O RING
7	1	31170-19B10	.WASHER SET
8	2	31264-13E00	.O RING
9	2	31280-15D10	.SET BOLT ASSY
10	1	09280-24003	.O RING (D:3.0,ID:24.5)
11	1	08361-3506A	NUT
12	2	07130-0820B	BOLT

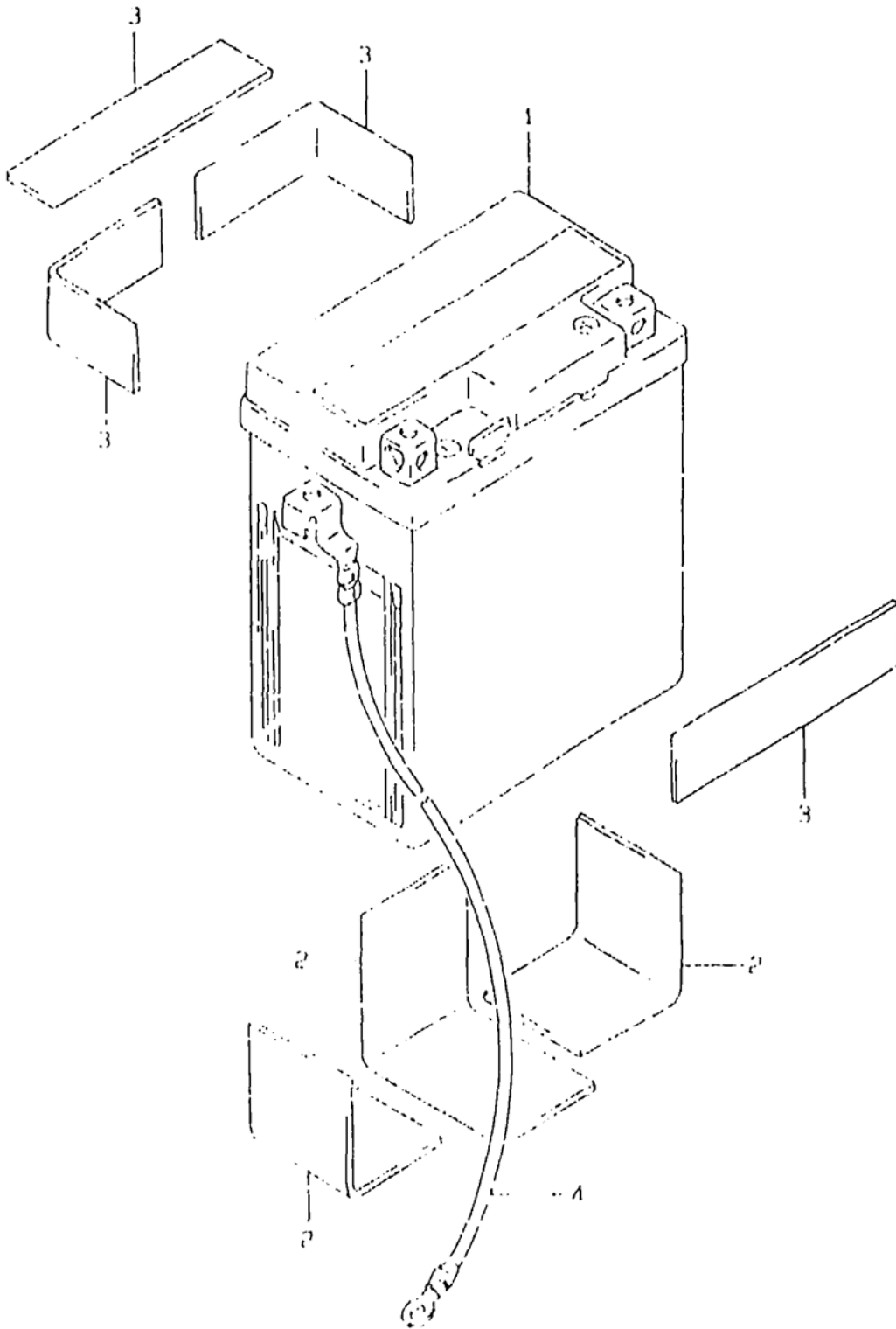
FIG. 20



**Table 20. MAGNETO**

Reference Number	Quantity Required	Part Number	Description
1	1	32101-15D01	STATOR
2	1	32102-14D50	RUTOR
3	1	32371-15D00	CLAMP, MAGNETO LEAD WIRE
4	3	09100-05019	BOLT (5X10)
5	1	09180-05053	SPACER (5.5X9.5X6.5)
6	1	09108-05014	STUD BOLT
7	1	08310-0005A	NUT
8	3	07130-0625B	BOLT
9	1	09159-14015	NUT, MAGNETO ROTOR
10	1	09420-04008	KEY

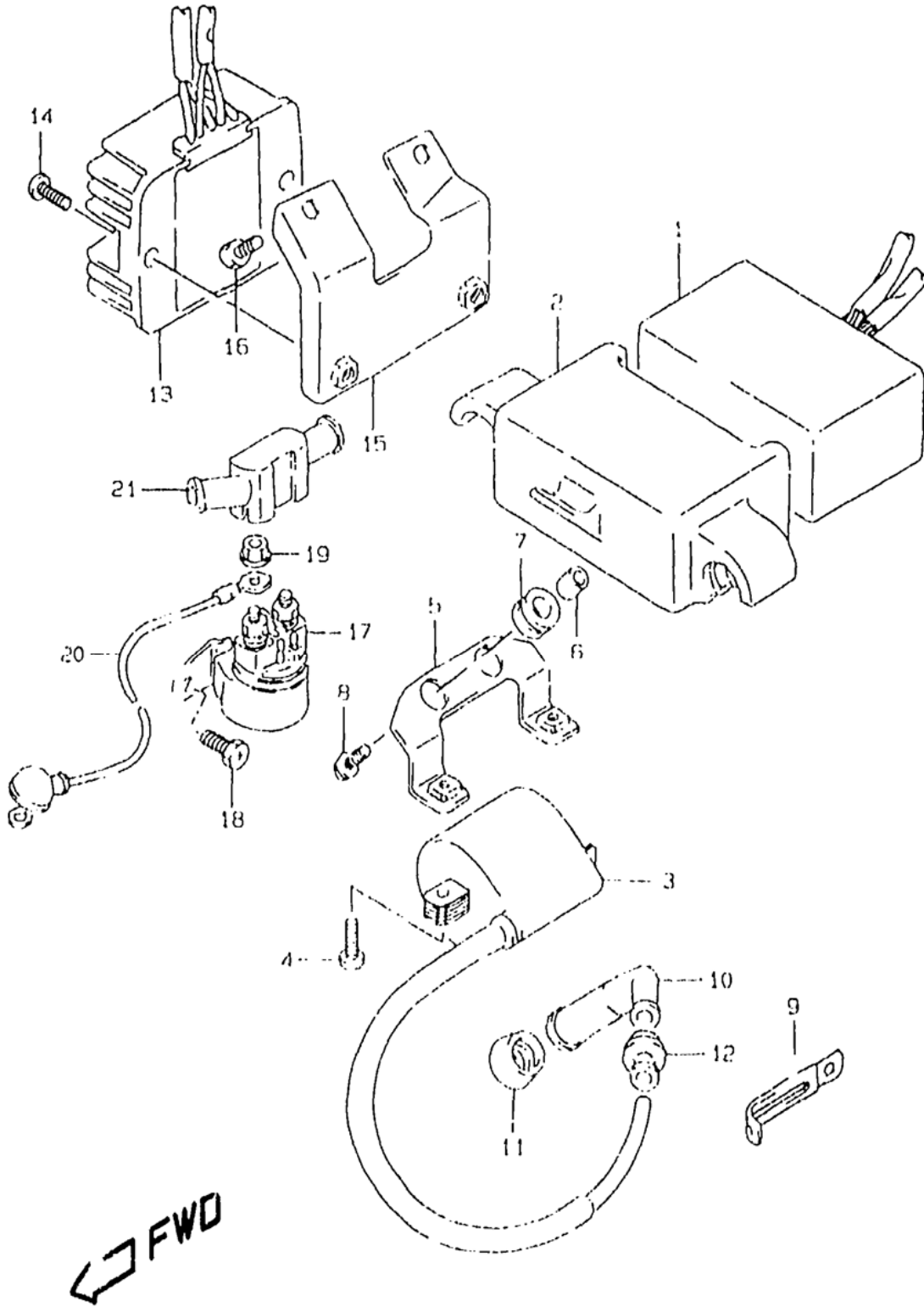
FIG. 21



**Table 21. BATTERY**

Reference Number	Quantity Required	Part Number	Description
1-1	1	33610-15D20	BATTERY ASSY
1-2	1	33610-15D20	BATTERY ASSY (MODEL W/X E3E28)
2	3	33651-37000	PROTECTOR (170X95X3.0) (CUT AS REQUIRED PROFILE (40x85x3.0)IT AS REQUIRED PROFILE (@@x90x3.0))
4	1	33860-15D01	WIRE, BATTERY MINUS (-)

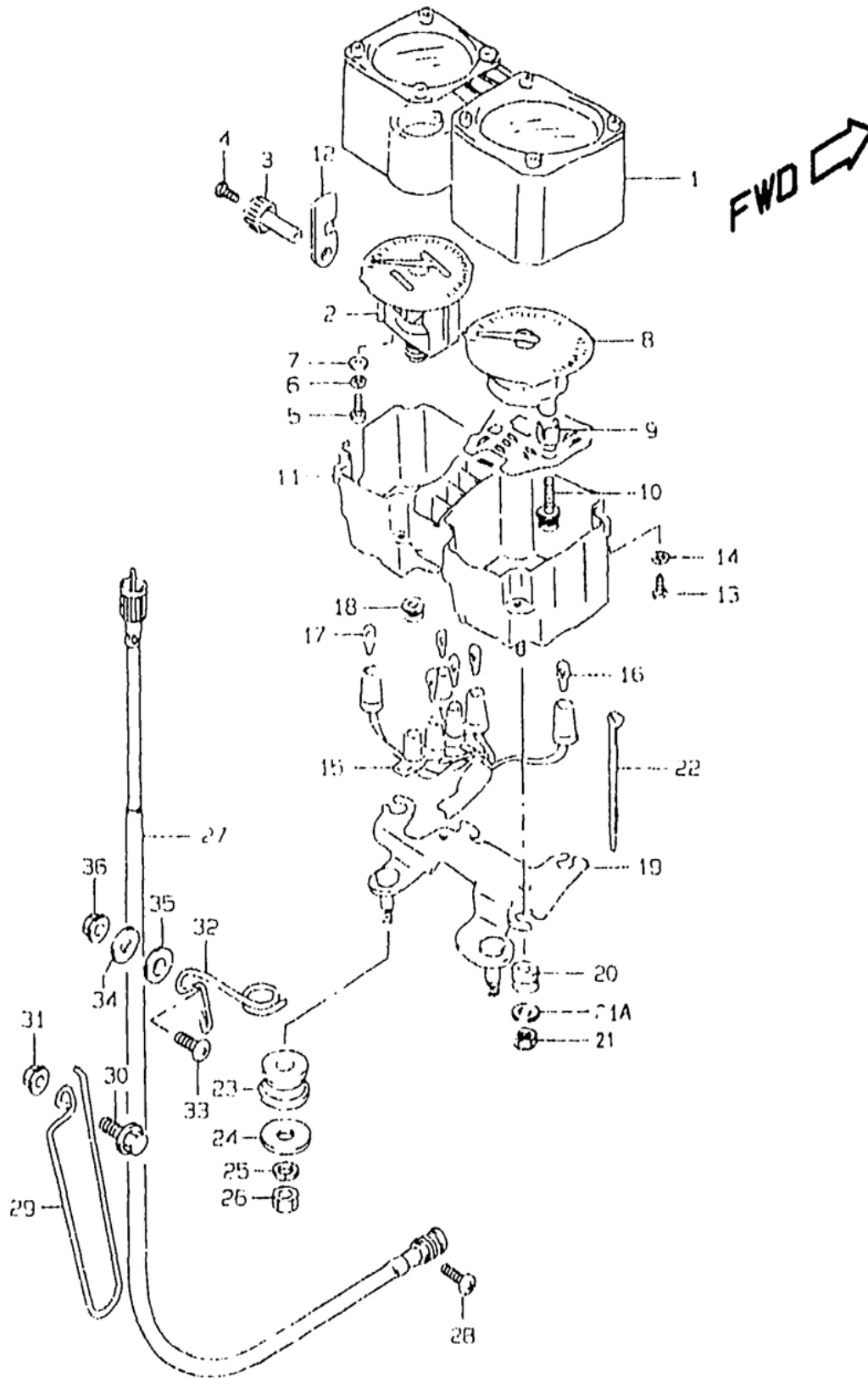
**FIG. 22**



**Table 22. ELECTRICAL**

Reference Number	Quantity Required	Part Number	Description
1	1	32900-14D50	CDI UNIT
2	1	32980-14D00	CUSHION
3	1	33410-14D00	COIL ASSY, IGNITION
4	2	02112-0620A	SCREW
5	1	33416-14D00	BRACKET, IGNITION COIL
6	2	09180-06258	SPACER (6.5X9X6.7)
7	2	09320-09036	CUSHION
8	2	01560-0616A	BOLT
9-1	1	09404-06432	.CLAMP, SW LEADS
9-2	1	09404-06432	.CLAMP, SW LEADS
10	1	33510-43010	CAP, SPARK PLUG OUTER
11	1	33541-47D00	SEAL, SPARK PLUG CAP (SIDE)
12	1	33542-38B00	SEAL, HIGH TENSION CORD
13	1	32800-14D11	RECTIFIER
14	2	02112-0616A	.SCREW
15	1	32831-14D03	BRACKET, RECTIFIER
16	2	01550-0616A	BOLT
17	1	31800-49100	RELAY, STARTING MOTOR
18	2	09128-06044	SCREW (6X10)
19	2	08361-3506A	NUT
20	1	33850-00A01	WIRE, STARTING LEAD
21	1	31861-24500	CAP, STARTER RELAY TERMINAL

FIG. 23

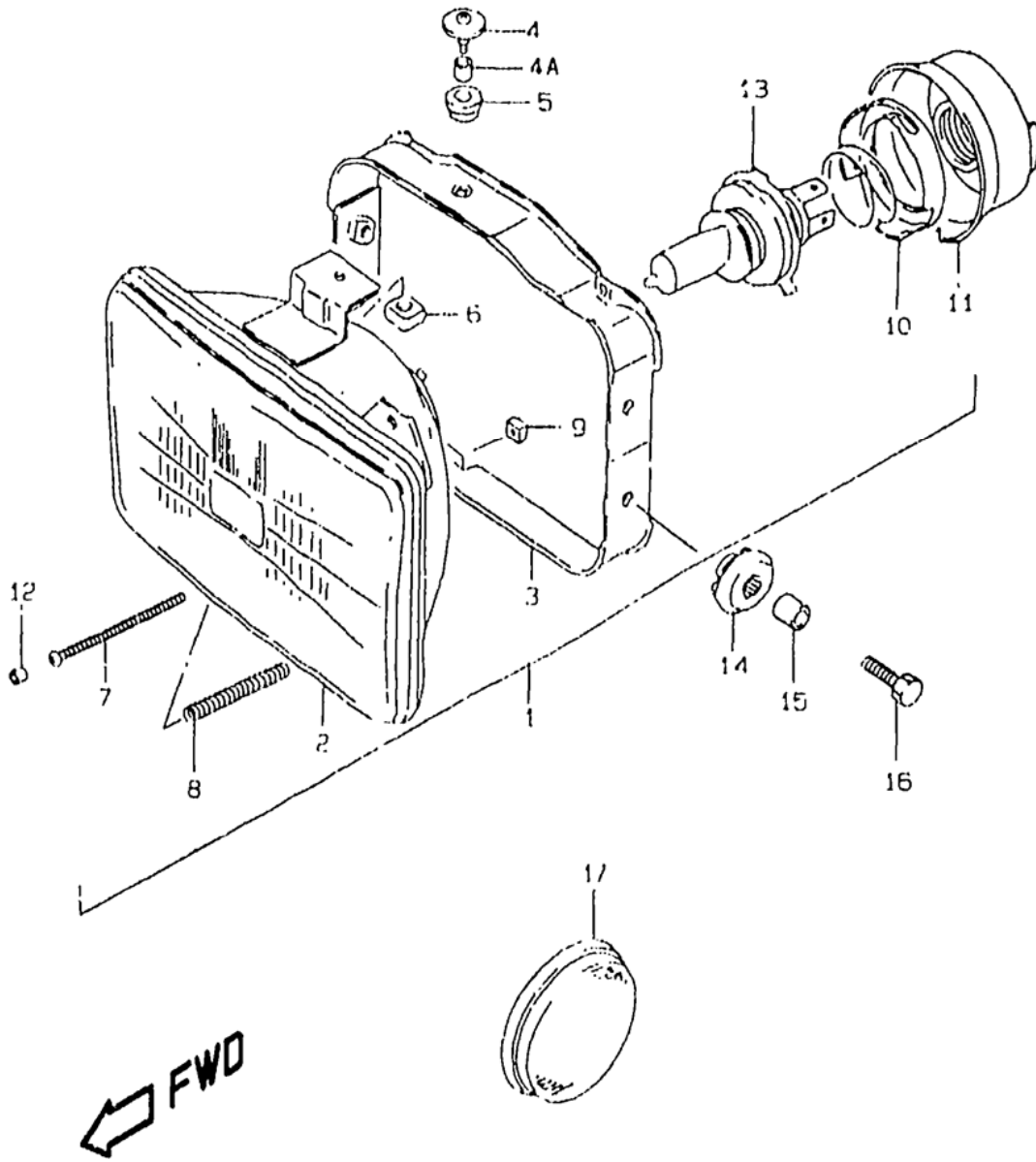




**Table 23. SPEEDOMETER**

Reference Number	Quantity Required	Part Number	Description
1-1	1	34150-14D20	HOOD, METER
1-2	1	34150-14C10	HOOD, METER
1-3	1	34150-14D20	HOOD, METER
2-1	1	34110-14D00	SPEEDOMETER (MILE/KILO)
3	1	34124-44B30	.KNOB, TRIP
4	1	34184-12D00	.SCREW, TRIP KNOB
5	2	02112-03103	SCREW
6	2	08321-21033	.LOCK WASHER
7	2	08322-01033	WASHER
8	1	34210-14D00	TACHOMETER
9	2	34187-14A00	SPACER
10	2	02112-74253	SCREW
11	1	34111-44B10	CASE, METER
12	1	34196-14A00	GROMMET
13	4	03112-05123	SCREW
14	4	08321-0105A	WASHER, LOCK
15-1	1	34170-44B11	SOCKET, METER
15-2	1	34170-44B11	SOCKET, METER
16	1	09471-12085	BULB (12V,3W)
17	5	09471-12100	BULB (12V,1.7W)
18	1	34194-14A00	CAP
19	1	34950-14D00	BRACKET, METER
20	3	34996-43410	CUSHION, SPEEDOMETER
21	3	08310-0005A	NUT
21A	3	09160-05037	WASHER, REAR RR BKT
22	1	09404-10417	CLAMP
23	2	34956-31001	CUSHION
24-1	2	09160-08135	WASHER (8.5X28X1.6)
24-2	2	09160-08135	WASHER (8.5X28X1.6)
25	2	09162-08008	WASHER
26	2	08310-0008A	NUT
27	1	34910-12E00	CABLE ASSY, SPEEDOMETER
28	1	02112-0516A	SCREW, METER CABLE
29	1	34938-14D30	GUIDE, METER CABLE NO.2
30	1	09116-06167	BOLT
31	1	08316-1006B	NUT
32	1	34938-14D21	GUIDE, METER CABLE NO.1
33	1	02142-0616A	SCREW
34	1	09160-06109	WASHER, 6.5X18X1.6
35	1	09169-06053	WASHER, CA HOLDER (6.3X16X1)
36	1	08310-0006A	NUT, NO.1

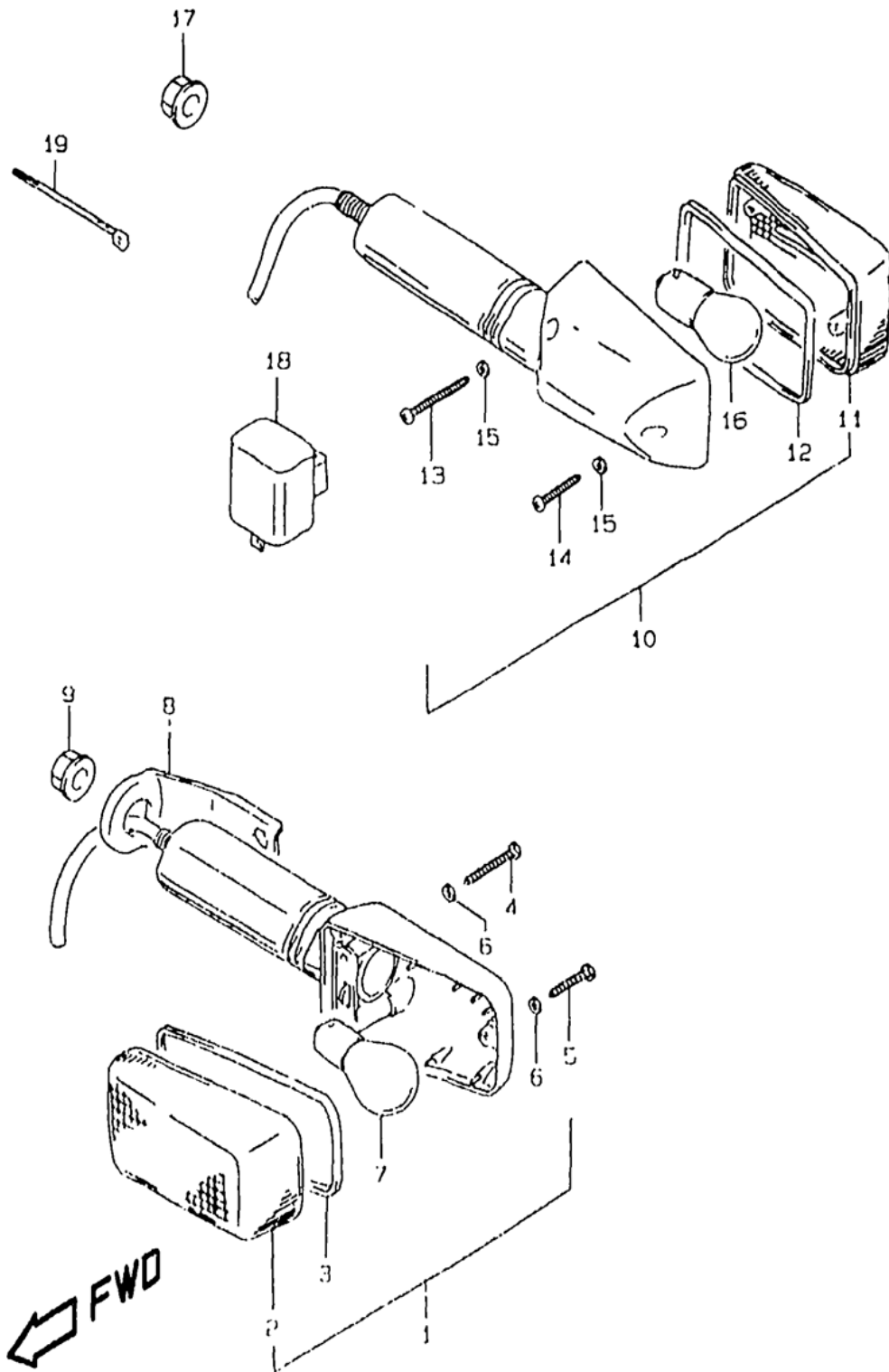
FIG. 24



**Table 24. HEADLAMP**

Reference Number	Quantity Required	Part Number	Description
1	1	35100-14A32-999	HEADLAMP ASSY
2	1	35121-14A31	.LAMP UNIT
3	1	35141-14A00	.RING, MOUNTING
4	1	35136-38A00	.SCREW, MOUNTING
4A	1	35133-14A00	.SPACER
5	1	35139-45230	.CUSHION
6	1	35135-45900	.NUT
7	2	35151-45900	.SCREW
8	2	35154-49200	.SPRING
9	2	35135-45600	.NUT
10	1	35136-01A00	.HOLDER, BULB
11	1	35173-01440	.COVER, SOCKET
12	1	35158-43400	.CAP
13	1	09471-12060	BULB (12V60/55W,H4)
14	4	09320-09018	CUSHION
15	4	09180-06138	SPACER (6.3X9.1X11.5)
16	4	09116-06167	BOLT
17	2	35950-14A00	REFLEX REFLECTOR ASSY, FR SID

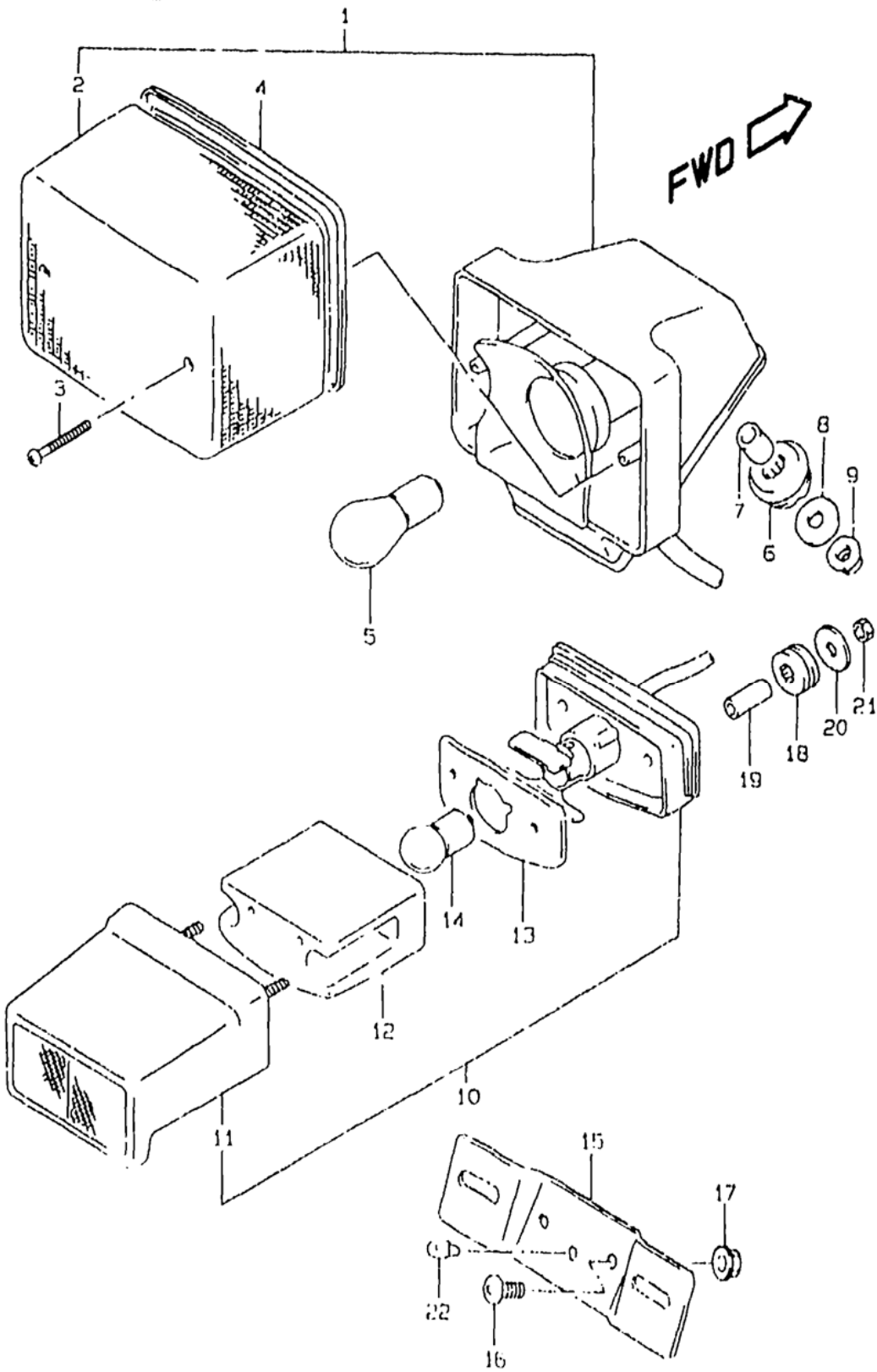
FIG. 25



**Table 25. TURN SIGNAL LAMP**

Reference Number	Quantity Required	Part Number	Description
1	2	35601-29EC0	LAMP ASSY, FRONT TURN SIGNAL
2	2	35612-17C20	.LENS
3	2	35613-27A00	.GASKET
4	4	35623-27A00	.TAPPING SCREW, 3X30
5	2	35725-40511	.TAPPING SCREW, 3X20
6	6	35627-27A02	.GASKET
7	2	09471-12045	.BULB (12V,21W)
8-1	1	35670-14D12	BRACKET, FRONT RH
8-2	1	35680-14D12	BRACKET, FRONT LH
9	2	08316-1010A	NUT
10	2	35603-29E90	LAMP ASSY, REAR TURNSIGNAL
11	2	35652-17C20	.LENS
12	2	35613-27A00	.GASKET
13	4	35623-27A00	.TAPPING SCREW, 3X30
14	2	35725-40511	.TAPPING SCREW, 3X20
15	6	35627-27A02	.GASKET
16	2	09471-12045	.BULB (12V,21W)
17	2	08316-1010A	NUT
18	1	38610-31X50	RELAY, TURN SIGNAL
19	2	09407-03401	CLAMP

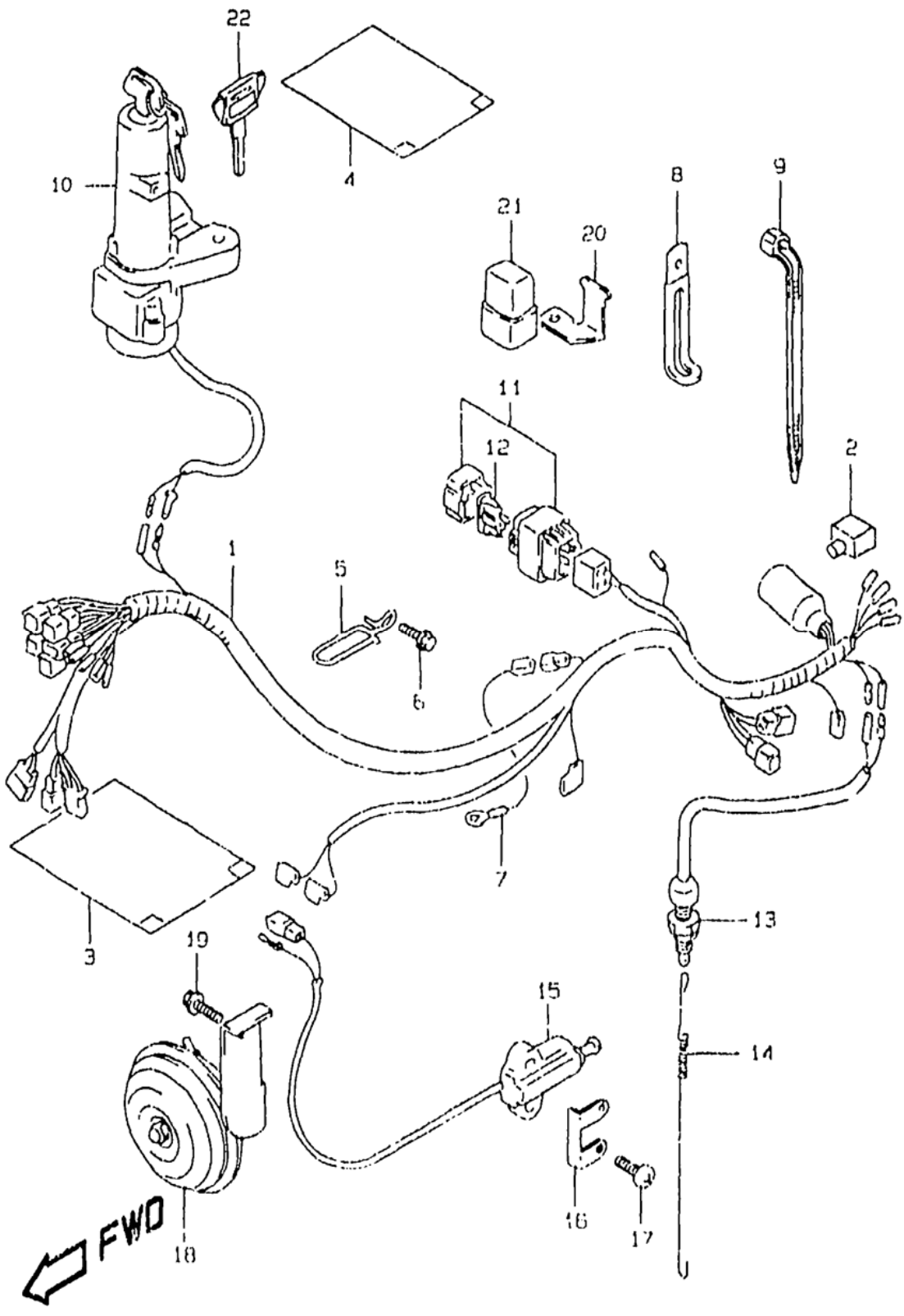
FIG. 26



**Table 26. TAIL LAMP**

Reference Number	Quantity Required	Part Number	Description
1	1	35710-14D30	LAMP ASSY, TAIL
2	1	35712-14D30	.LENS
3	2	09125-04501	.SCREW (4X45)
4	1	35713-14D30	.GASKET
5	1	09471-12128	BULB (12V,21/5W)
6	3	09320-09028	CUSHION
7	3	09180-06263	SPACER
8	3	09160-06088	WASHER (6.5X20X1.60)
9	3	08310-0006A	NUT, NO.1
10	1	35910-14D00	LAMP ASSY, LICENSE
11	1	35917-14D00	.REFLECTOR & COVER
12	1	35912-38A30	.LENS
13	1	35913-38A30	.GASKET
14	1	09471-12058	.BULB (12V,5W)
15	1	35927-14D30	BRACKET, LICENSE PLATE
16	2	02142-0616A	SCREW
17	2	08316-1006B	NUT
18	2	09320-09009	CUSHION
19	2	09180-05061	SPACER (5.5x9.5x28.5)
20	2	09160-05501	WASHER (5.5X20X1.2)
21	2	08310-0005A	NUT
22	1	09321-06030	CUSHION, PLATE

FIG. 27

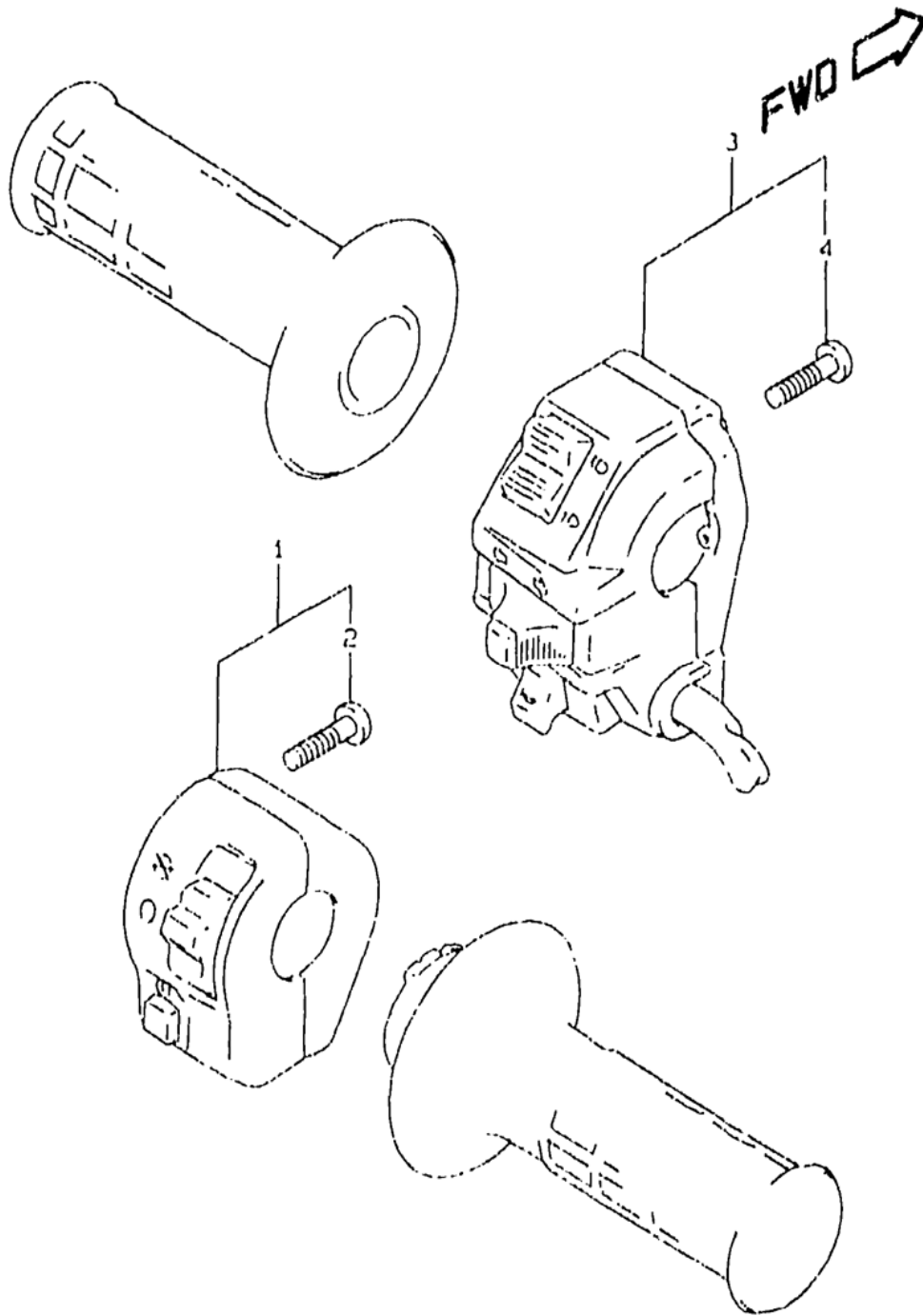




**Table 27. WIRING HARNESS**

Reference Number	Quantity Required	Part Number	Description
1	1	36610-15D80	HARNESS, WIRING
2	1	33624-15D00	.CAP, BATTERY (+)
3	1	36618-15D20	COVER, WIRING HARNESS
5	1	36619-15D11	GUIDE, WIRE HARNESS
6	2	01550-0610A	BOLT
7	1	36851-05D00	WIRE, IGNITION COIL
8-1	2	09404-06432	.CLAMP, SW LEADS
8-2	2	09404-06432	.CLAMP, SW LEADS
8-3	1	09404-06434	CLAMP (L:95)
8-4	2	09404-08419	CLAMP (L:97)
9-1	2	09407-03401	CLAMP
9-2	11	09407-14403	.CLAMP, BATTERY CABLE
9-3	4	09407-18402	CLAMP (L:165)
9-4	7	09407-25401	CLAMP (L:235)
10-1	1	37110-03D01	LOCK ASSY, STEERING
10-2	1	37110-03D10	LOCK ASSY, STEERING
11	1	36740-24B01	BOX ASSY, FUSE
12	1	09481-20101	.FUSE (20A)
13	1	37740-31D00	SWITCH ASSY, STOP LAMP
14	1	09443-06080	SPRING
15	1	37840-12X50	SWITCH ASSY, SIDE STAND
17	2	02142-0620A	SCREW
18-1	1	38500-14D02	HORN ASSY
18-2	1	38500-15D10	HORN ASSY
19	1	01550-0616A	BOLT
20	1	36744-14D01	BRACKET, RELAY
21	1	38740-24X50	RELAY ASSY, FUEL PUMP
22-1	1	37146-03A00	KEY, BLANK
22-2	1	37146-03A10	KEY, BLANK
22-3	1	37146-03A20	KEY, BLANK
22-4	1	37146-03A30	KEY, BLANK

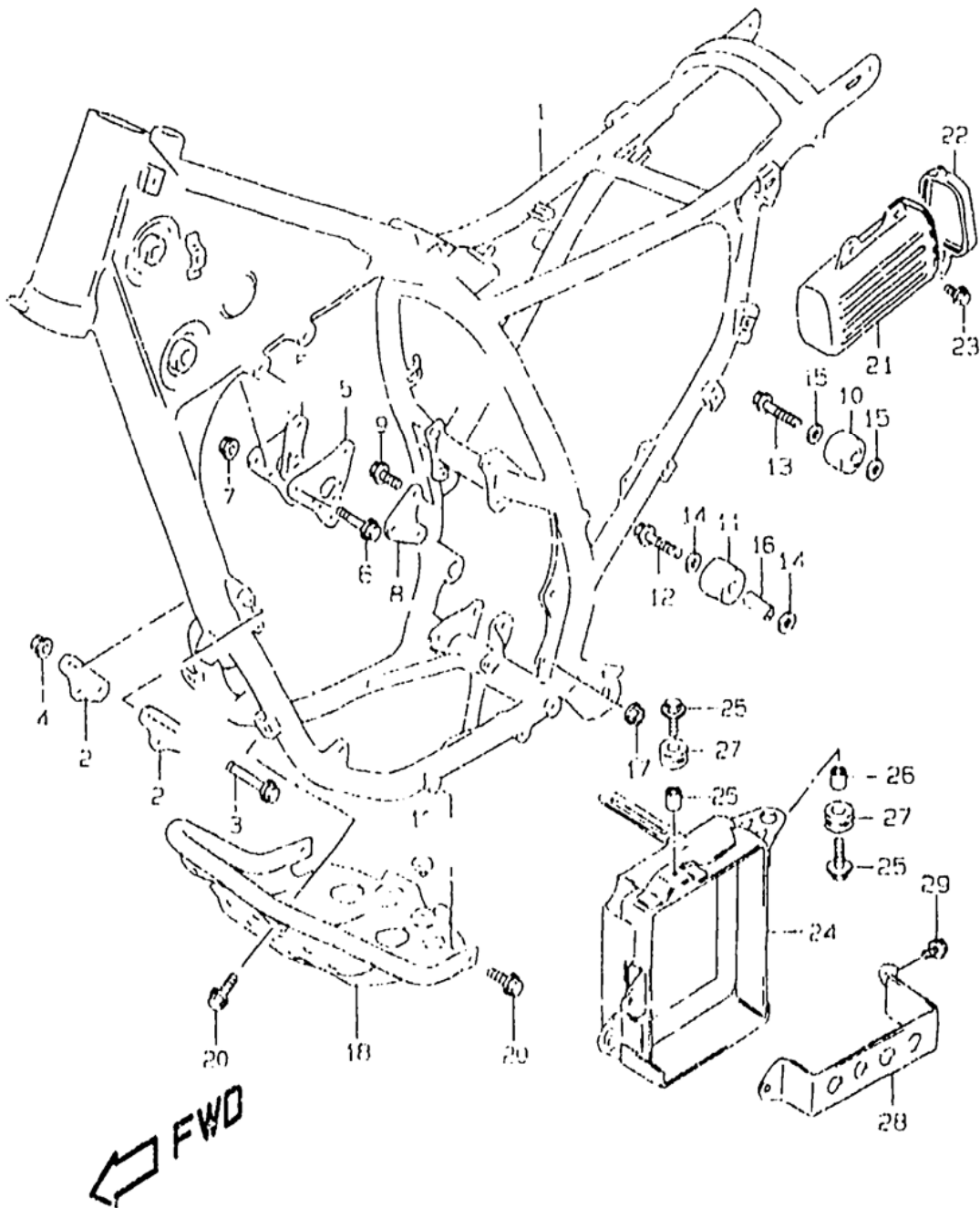
**FIG. 28**



**Table 28. HANDLE SWITCH**

<b>Reference Number</b>	<b>Quantity Required</b>	<b>Part Number</b>	<b>Description</b>
1	1	37200-15D60	SWITCH ASSY, HANDLE RH
2	2	02112-0420A	SCREW
3	1	37400-15D20	SWITCH ASSY, HANDLE LH
4	2	02112-0530B	SCREW

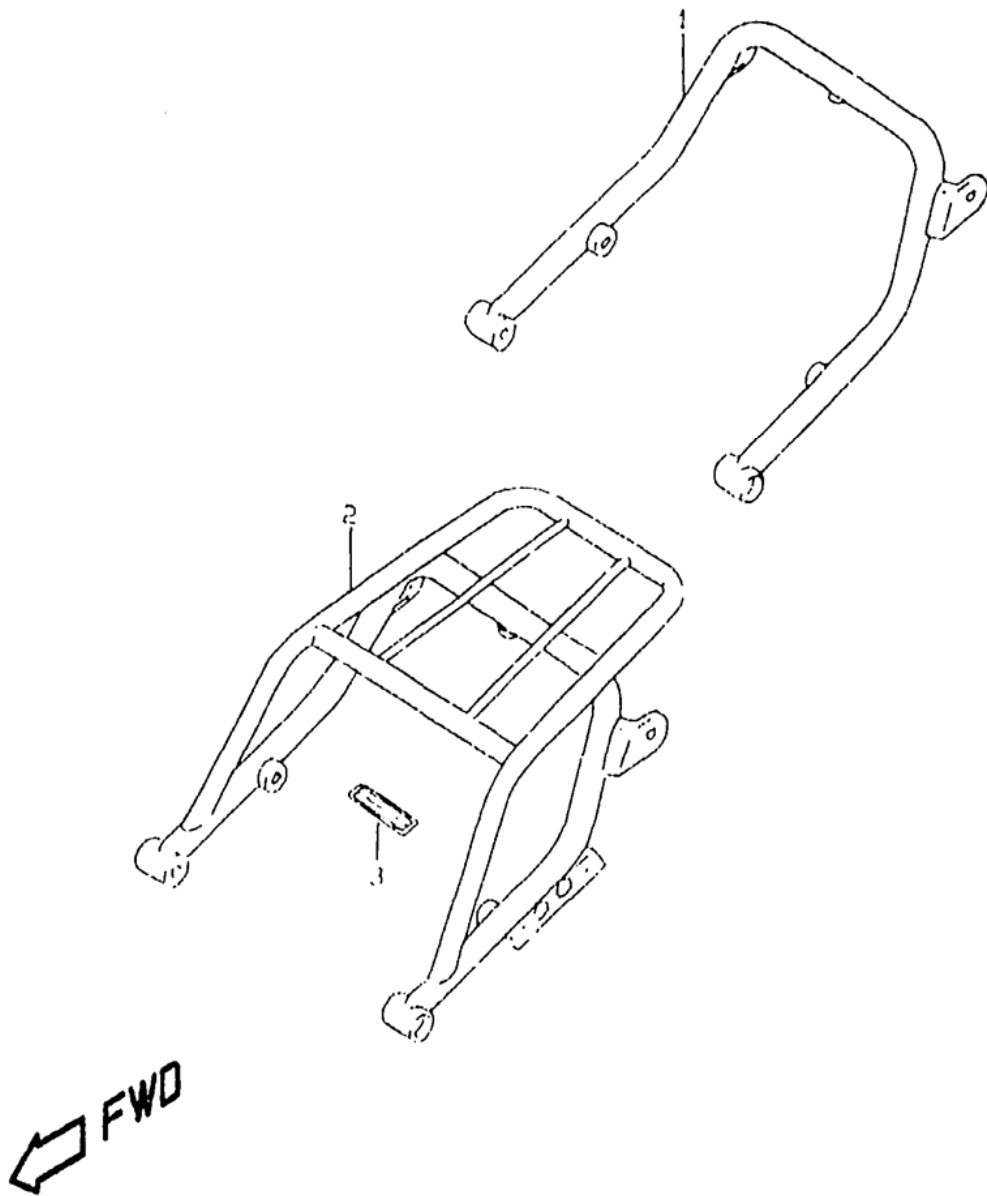
FIG. 29



**Table 29. FRAME**

Reference Number	Quantity Required	Part Number	Description
1-1	1	41100-14E30-Z16	FRAME (PURPLE)
1-2	1	41100-14E30-24K	FRAME (CHARCOAL)
2	2	41911-14D01	PLATE, FRONT
3	2	09103-08294	BOLT
4	2	09159-08034	NUT
5	2	41991-14D01	PLATE, UPPER
6	2	09103-08293	BOLT
7	2	09159-08034	NUT
8	1	41971-14D01	PLATE, LOWER (SILVER)
9	2	09103-08283-A05	BOLT
10	1	43910-27C11	ROLLER, CHAIN LOWER
11	1	43911-35B00	ROLLER, CHAIN CONTROL
12	1	09103-08178	BOLT
13	1	09103-08043	BOLT
14	2	08211-08201	WASHER
15	2	09181-08111	WASHER
16	1	09180-08156	SPACER
17	1	08313-2008A	NUT
18	1	42510-14D10-13L	PROTECTOR, ENGINE (SILVER)
19	1	09321-10026	CUSHION
20	4	01550-0812A	PLUG, OIL GALLERY
21	1	47431-14D00	HOLDER, TOOL
22	1	47432-14D00	CAP, TOOL HOLDER
23	2	09116-06165	BOLT (6X16)
24	1	41540-15D00	HOLDER, BATTERY
25	3	09116-06010	BOLT (6X20)
26	3	09180-06285	SPACER, LOWER LH
27	3	09320-10501	CUSHION
28	1	41542-15D00	BAND, BATTERY HOLDER
29	2	09128-06058	BOLT (6X10)

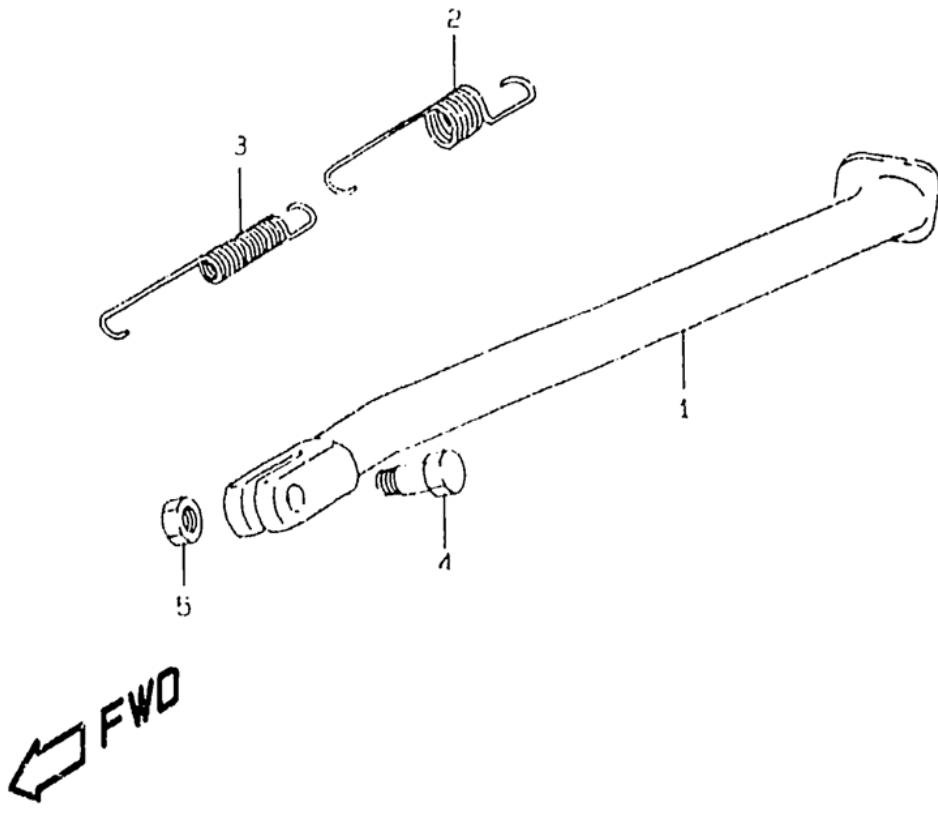
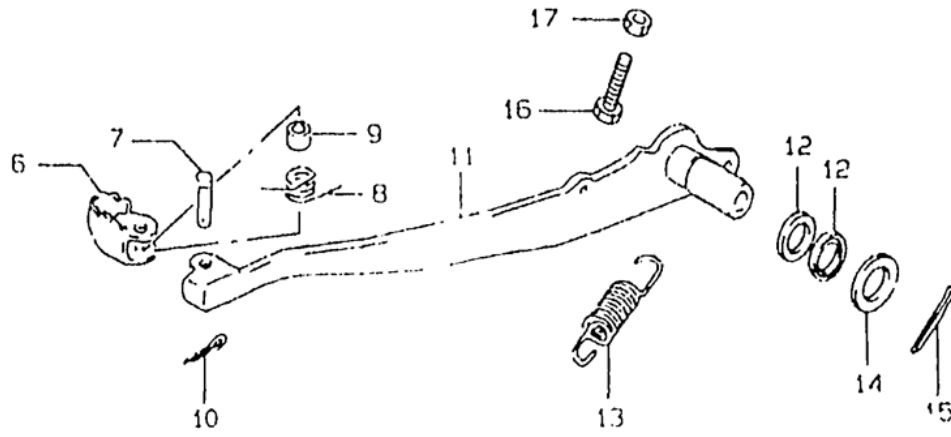
FIG. 30



**Table 30. REAR GRIP**

Reference Number	Quantity Required	Part Number	Description
1	1	43980-15D30-1TS	GRIP, REAR (WHITE)
3	1	68391-14D00	LABEL

FIG. 31

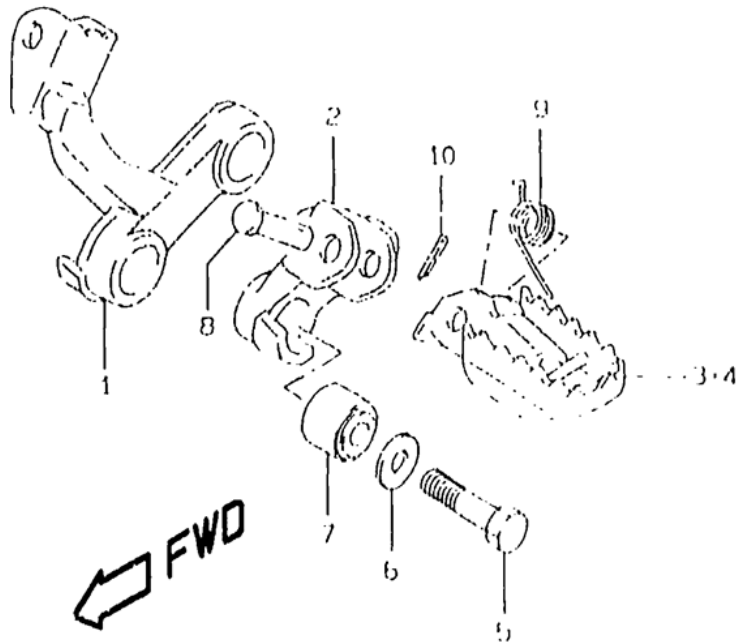
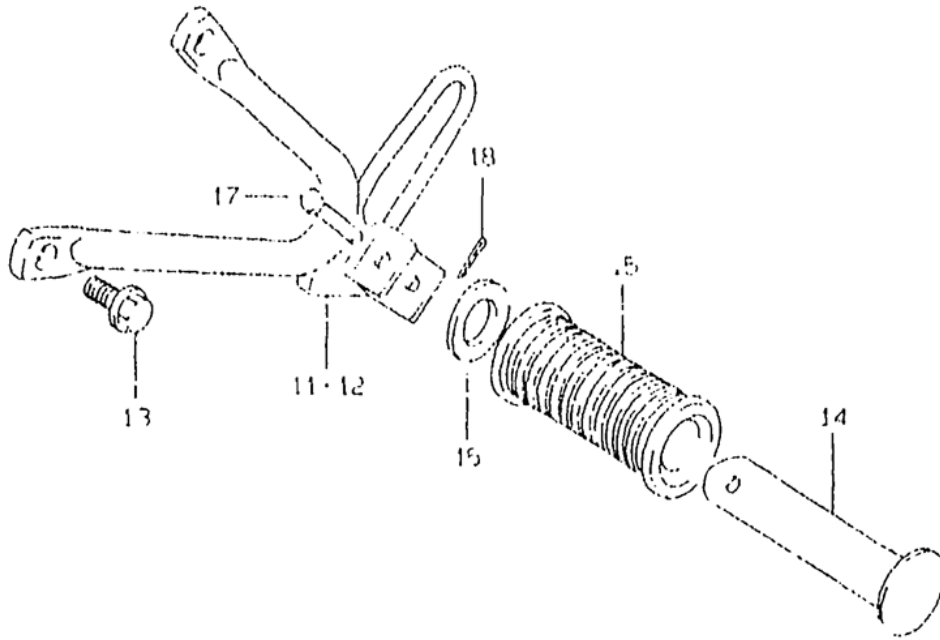




**Table 31. STAND REAR BRAKE**

Reference Number	Quantity Required	Part Number	Description
1	1	42310-14D20-019	STAND, PROP (BLACK)
2	1	09443-19010	SPRING, OUTER
3	1	09443-12036	SPRING, INNER
4	1	09111-10047	BOLT
5	1	09159-10097	NUT
6	1	43110-14130	PEDAL, BRAKE
7	1	09200-06038	PIN
8	1	09444-11005	SPRING
9	1	09180-06257	SPACER
10	1	04111-20158	COTTER PIN
11	1	43120-15D00	ARM, BRAKE PEDAL
12	2	09284-15006	.OIL SEAL
13	1	09443-14025	SPRING
14	1	09160-15002	WASHER
15	1	04111-3030A	COTTER PIN
16	1	09100-06009	BOLT (6X23)
17	1	08310-0006A	NUT, NO.1

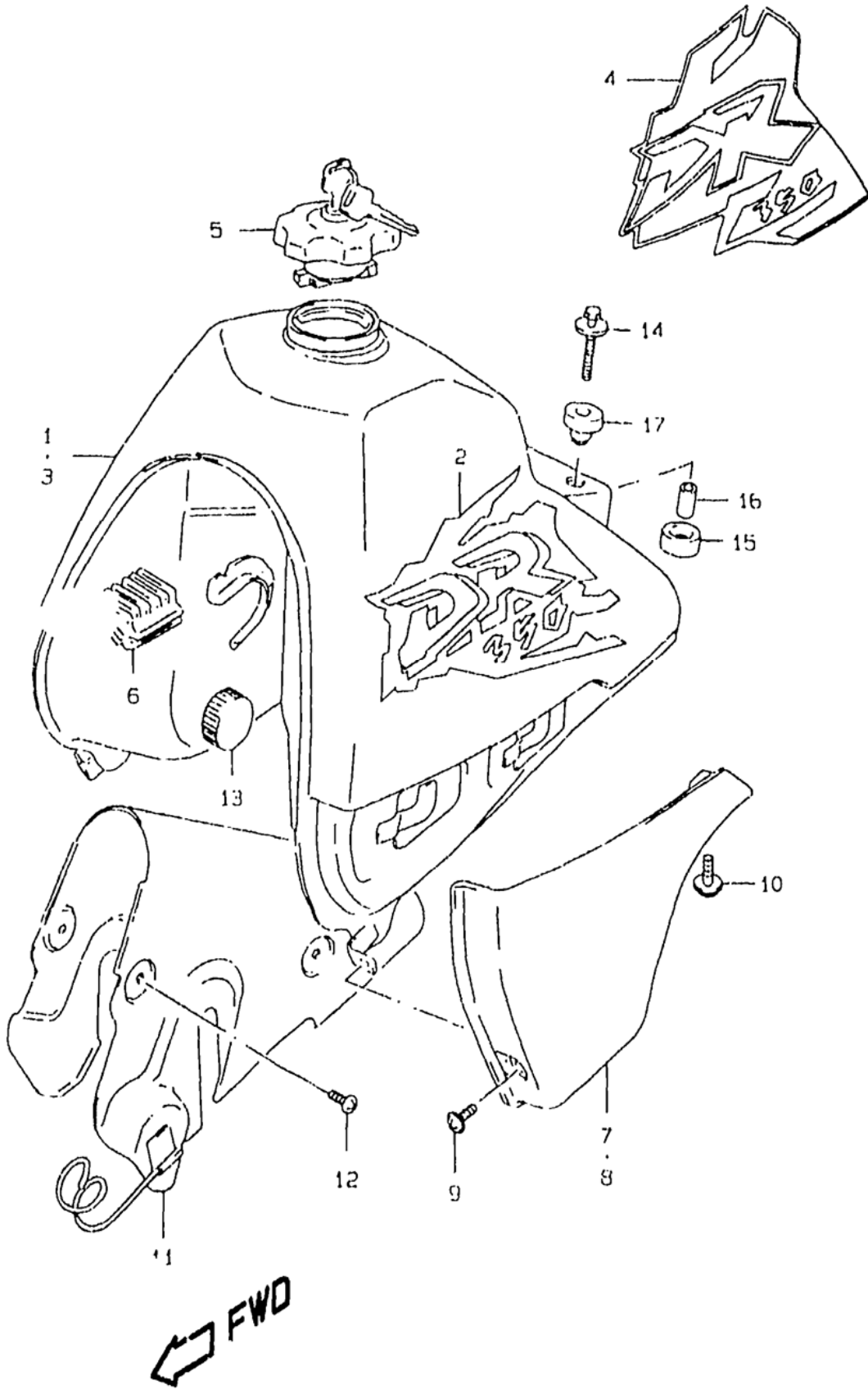
FIG. 32



**Table 32. FOOTREST**

Reference Number	Quantity Required	Part Number	Description
1	1	43510-15D00-019	BRACKET, FOOTREST RH (BLACK)
2	1	43520-15D00-019	BRACKET, FOOTREST LH (BLACK)
3-1	1	43550-14D10	FOOTREST,FRONT, (MODEL VMODEL W/X)
4-1	1	43560-14D10	FOOTREST, FRONT LH
4-2	1	43560-14D10	FOOTREST, FRONT LH
5	4	09100-10283	BOLT, FOOTREST FRONT
6	4	09160-10143	WASHER,10.5X22X
7	4	09319-10033	BUSH
8	2	09200-10013	PIN
9	2	09448-15004	SPRING
10	2	04111-20158	COTTER PIN
11	1	43650-14D00-019	BRACKET, PILLION RH (BLACK)
12	1	43750-14D00-019	BRACKET, PILLION LH (BLACK)
13	4	01550-0820A	BOLT, FUNNEL BRACKET
14	2	43610-03001	BAR, FOOTREST RUBBER
15	2	43612-33200	RUBBER, PILLION FOOTREST
16-1	2	09160-19024	WASHER (19.5X32X2)
16-2	2	09160-19024	WASHER (19.5X32X2)
17	2	09200-06033	PIN
18	2	04111-20158	COTTER PIN

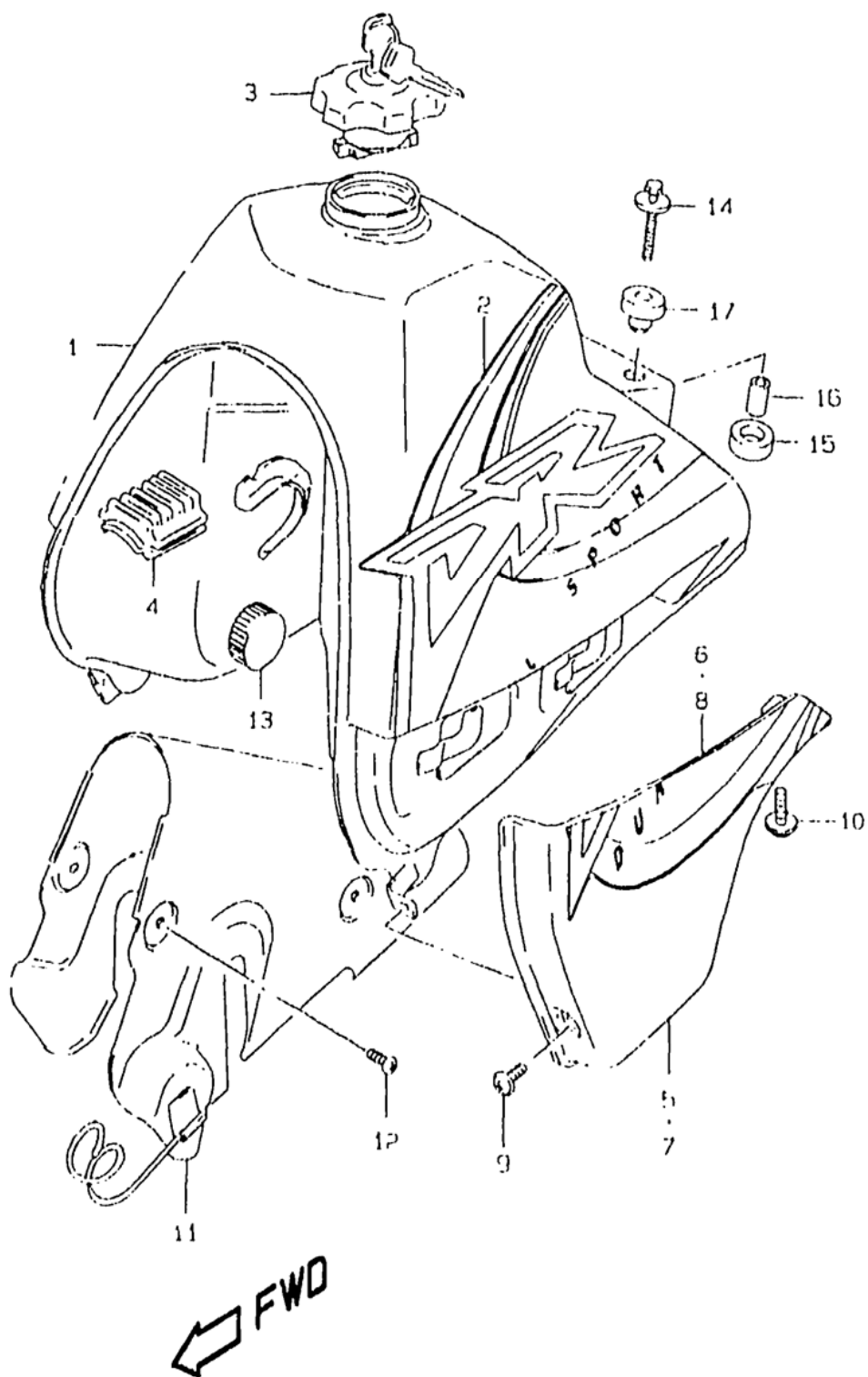
FIG. 33



**Table 33. FUEL TANK (MODEL V W)**

Reference Number	Quantity Required	Part Number	Description
1-1	1	49100-14E20-30H	TANK ASSY, FUEL (WHITE)
1-2	1	49100-14E30-30H	TANK ASSY, FUEL (WHITE)
3-1	1	49100-14E60-30H	TANK ASSY, FUEL (WHITE) (MODEL WMODEL W E33)
4	1	68110-14E60-Y5P	.TAPE SET, FUEL TANK
5-1	1	44200-03811	CAP SET, FUEL TANK
5-2	1	44200-05820	CAP SET, FUEL TANK
6	1	44541-15D01	CUSHION, UPPER
7	1	44171-15D00-30H	COVER, FUEL TANK RH (WHITE)
8	1	44181-15D00-30H	COVER, FUEL TANK LH (WHITE)
9	2	02142-06107	SCREW
10	2	09136-06002	SCREW
11-1	1	49131-14D20	HEAT SHIELD, FUEL TANK
12	4	01560-05103	SCREW
13	2	09329-10016	CUSHION
14	2	09116-06172	BOLT
15	2	09320-14013	CUSHION
16	2	09180-06271	SPACER
17	2	09320-10020	CUSHION, LOWER

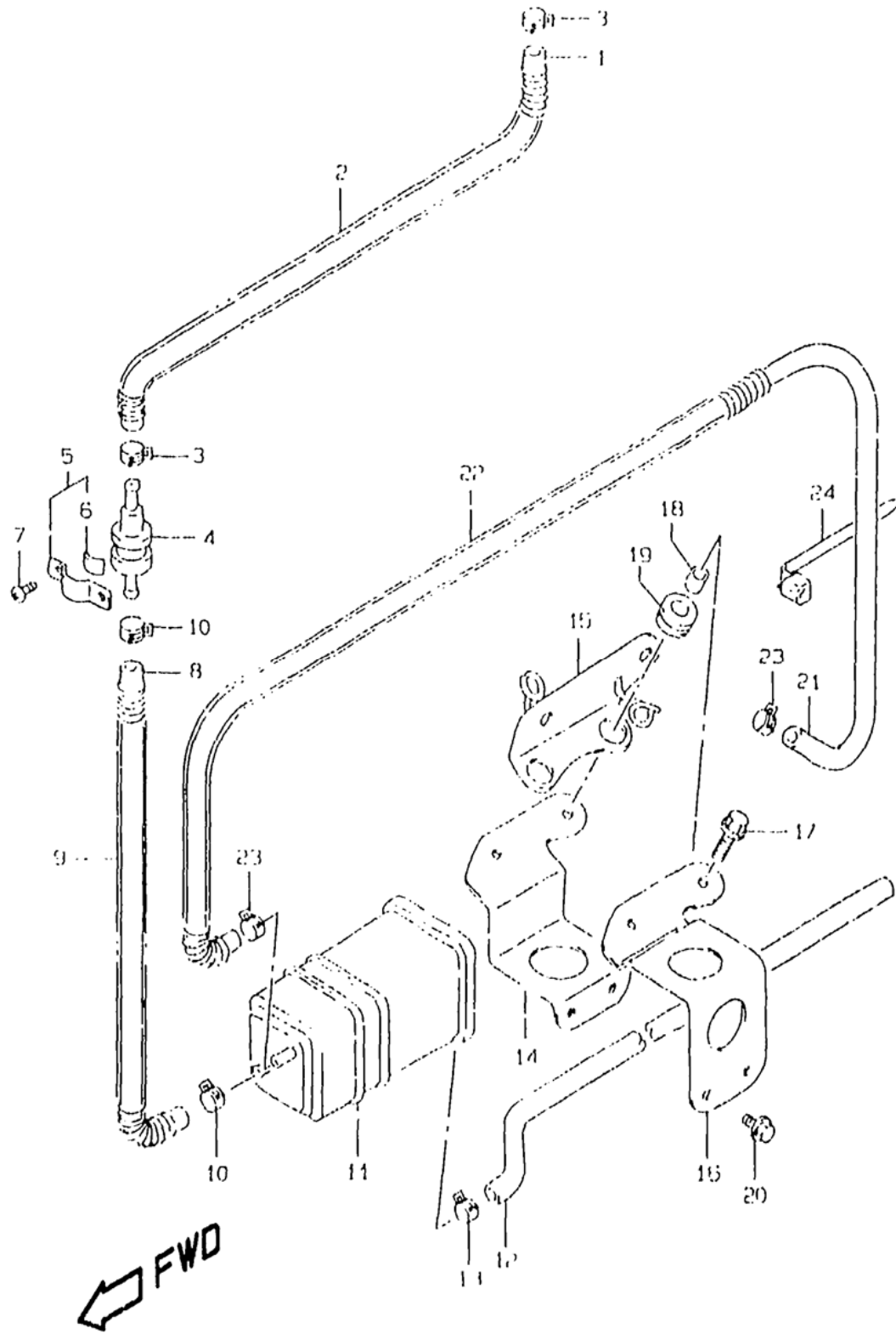
FIG. 33A



**Table 33A. FUEL TANK (MODEL X)**

Reference Number	Quantity Required	Part Number	Description
1-1	1	49100-14EB0-30H	TANK ASSY, FUEL (WHITE)
1-2	1	49100-14ED0-30H	TANK ASSY, FUEL (WHITE)
2	1	68110-14E80-Y8P	TANK SET, FUEL TANK
3-1	1	44200-03811	CAP SET, FUEL TANK
3-2	1	44200-05820	CAP SET, FUEL TANK
4	1	44541-15D01	CUSHION, UPPER
5	1	44171-15D00-30H	COVER, FUEL TANK RH (WHITE)
6	1	68115-14E00-Y9S	TAPE, RH
7	1	44181-15D00-30H	COVER, FUEL TANK LH (WHITE)
8	1	68125-14E00-Y9S	TAPE, LH
9	2	02142-06107	SCREW
10	2	09136-06002	SCREW
11-1	1	49131-14D20	HEAT SHIELD, FUEL TANK
12	4	01560-05103	SCREW
13	2	09329-10016	CUSHION
14	2	09116-06172	BOLT
15	2	09320-14013	CUSHION
16	2	09180-06271	SPACER
17	2	09320-10020	CUSHION, LOWER

FIG. 34

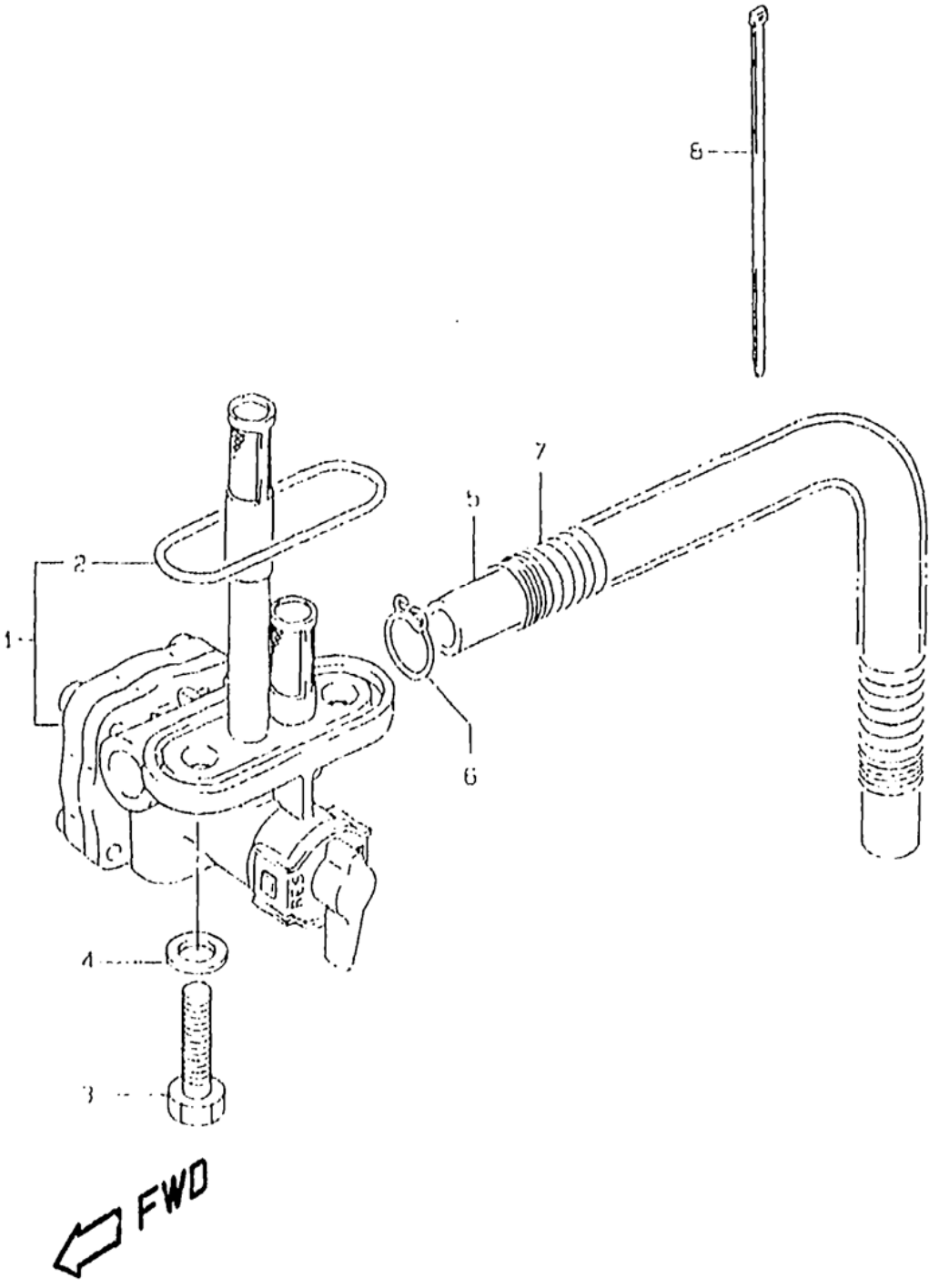




**Table 34. CANISTER E33**

Reference Number	Quantity Required	Part Number	Description
1	1	09343-05509	HOSE, FUEL TANK
2	1	09440-13051	SPRING
3	2	09401-11413	CLIP
4	1	44240-38A00	VALVE, BREATHER
5	1	44892-24A00	PLATE
6	1	44894-24A00	.CUSHION
7	2	02142-0408B	SCREW
9	2	09440-13052	SPRING
10	2	09401-11413	CLIP
11	1	17210-14A00	CANISTER
13	1	09401-11413	CLIP
14	1	44930-15D01	PLATE, CANISTER LOWER
15	1	44910-15D01	PLATE, CANISTER INNER
16	1	44921-15D01	PLATE, CANISTER OUTER
17	2	09103-06066	BOLT (6X23)
18	2	09180-06286	SPACER
19	2	09320-10501	CUSHION
20	1	01550-0612A	BOLT
21	1	09343-05509	HOSE, FUEL TANK
22	1	09440-13053	SPRING
23	2	09401-11413	CLIP
24	1	09407-14403	.CLAMP, BATTERY CABLE

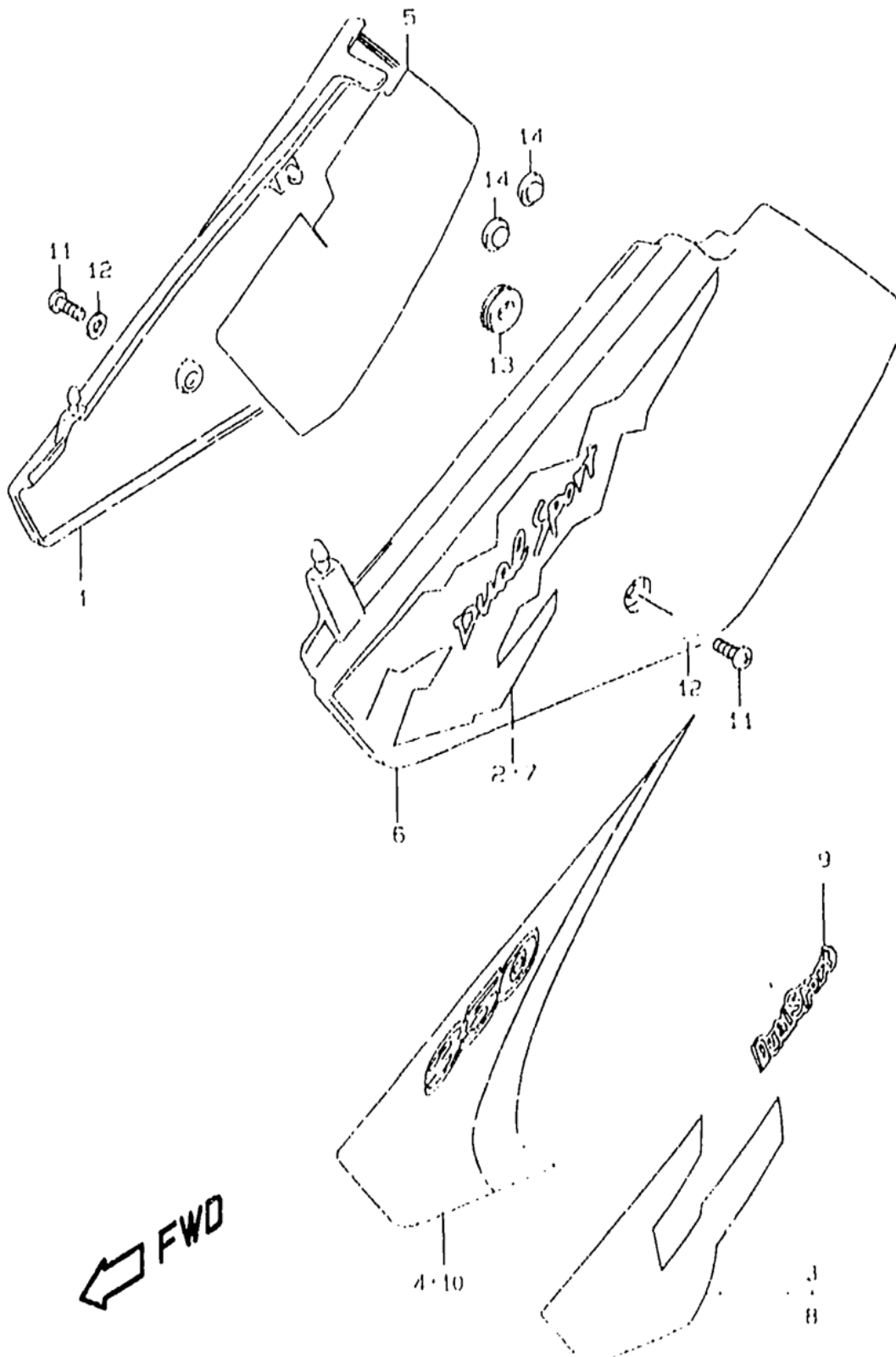
FIG. 35



**Table 35. FUEL COCK**

Reference Number	Quantity Required	Part Number	Description
1-1	1	44300-15D31	COCK ASSY, FUEL
1-2	1	44300-15D31	COCK ASSY, FUEL
2	1	44348-87420	.O RING
3	2	09128-06057	BOLT
4	2	09168-06026	GASKET, DRAIN BOLT
5-1	1	09352-70103-600	CUSHION, R/CON CABLE STOPPER
5-2	1	09354-65113-600	HOSE, FUEL (6.5X11.5X600)
6-1	2	09401-10401	CLIP
6-2	2	09401-11415	CLIP
7-1	1	09440-13052	SPRING
7-2	1	09440-14048	SPRING
8-1	1	09404-06432	.CLAMP, SW LEADS
8-2	1	09404-06432	.CLAMP, SW LEADS

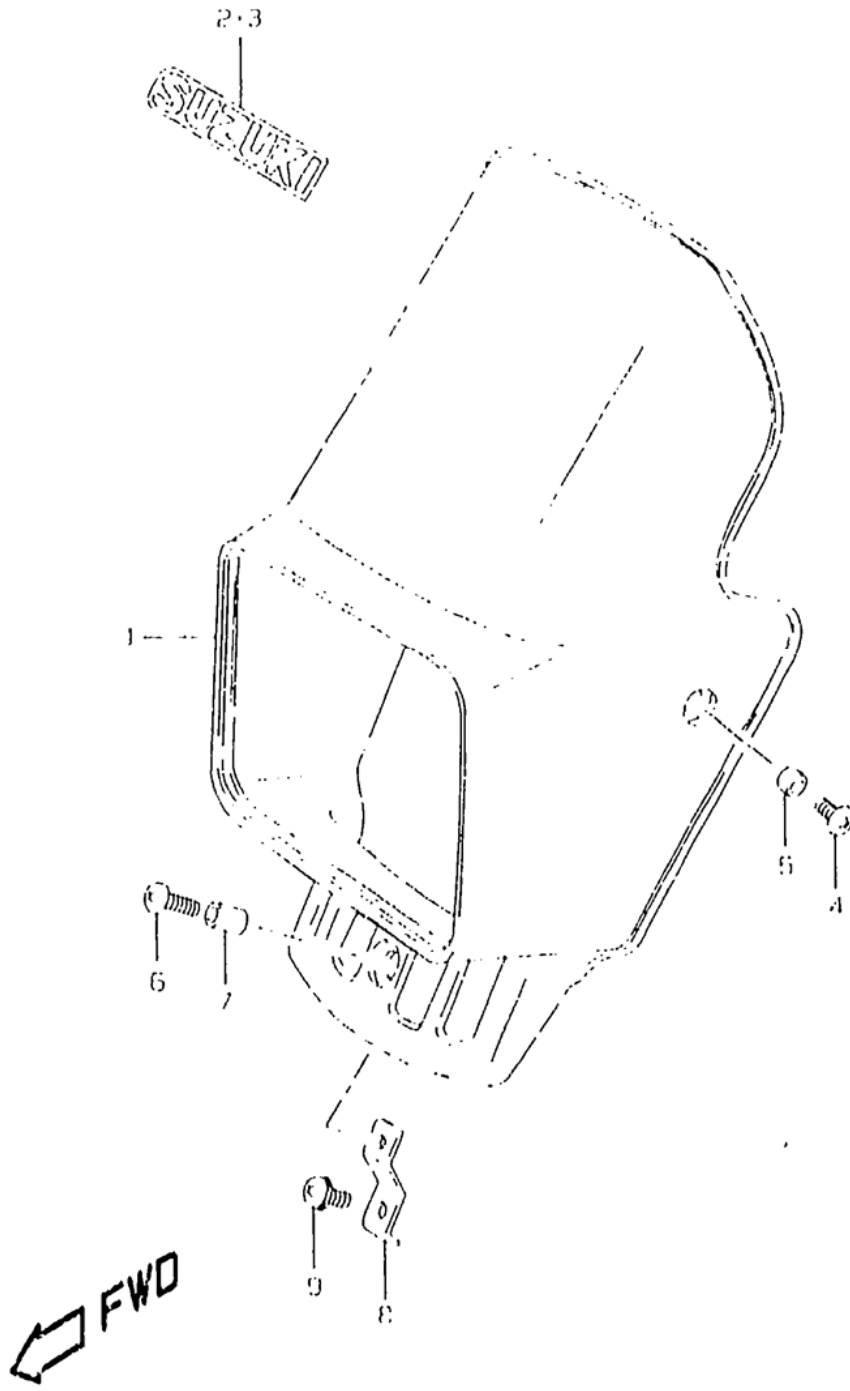
FIG. 36



**Table 36. FRAME COVER**

Reference Number	Quantity Required	Part Number	Description
1	1	47111-14D00-30H	COVER, FRAME RH (WHITE)
2	1	68135-14E50-G3M	TAPE, RH
3	1	68135-14E60-J7V	TAPE, RH
4	1	68135-14E80-L5C	TAPE, RH
5	1	47166-14D00	SHIELD, FRAME COVER RH
6	1	47211-15D00-30H	COVER, FRAME LH (WHITE)
7	1	68145-14E50-G3M	TAPE, LH
8	1	68145-14E60-J7V	TAPE, LH
9	2	68131-32E00-J7B	EMBLEM
10	1	68145-14E80-L5C	TAPE, LH
11	2	02142-06167	SCREW
12	2	09169-06041	WASHER, GUIDE RR BRAKE HOSE
13	2	09320-08029	CUSHION
14	2	09321-10018	CUSHION, MUFFLER

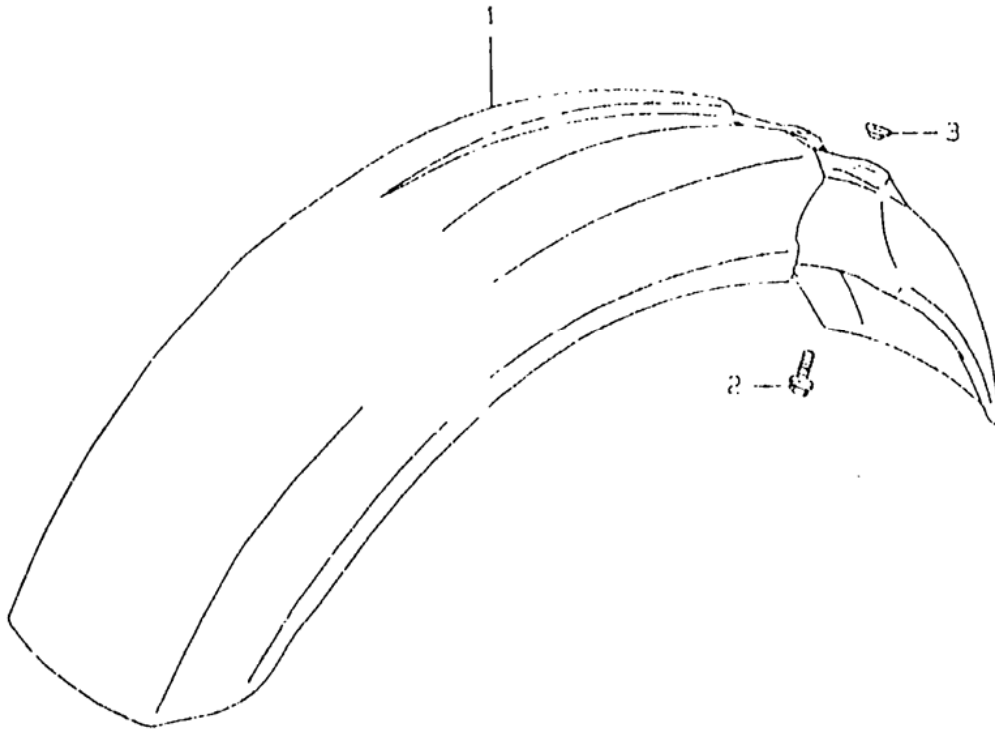
FIG. 37



**Table 37. HEADLAMP COVER**

Reference Number	Quantity Required	Part Number	Description
1	1	51811-14A20-30H	COVER, HEADLAMP (WHITE)
2	1	68174-35B00-E9G	EMBLEM, SUZUKI
3-1	1	68171-44B00-F6F	EMBLEM, SUZUKI
3-2	1	68171-44B00-L5D	EMBLEM
4	2	02142-06127	SCREW
5	2	09180-06245	SPACER (6.1X8X3.5)
6	1	02142-06207	SCREW
7	1	09180-06249	SPACER (6.1X8X12)
8	1	51860-14D00	PLATE, HOUSING
9	2	02112-35103	SCREW

FIG. 38



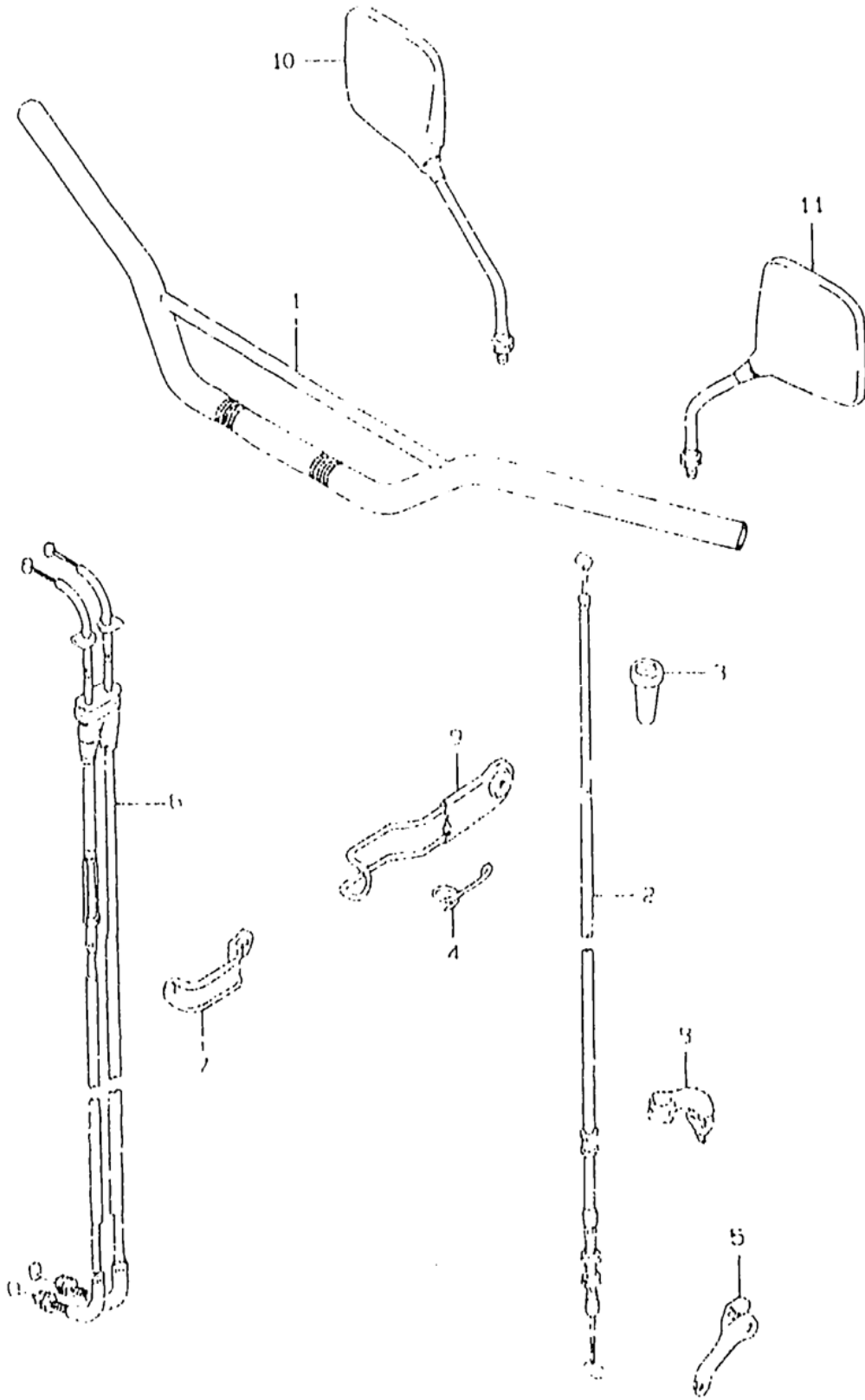
← FWD



**Table 38. FRONT FENDER**

Reference Number	Quantity Required	Part Number	Description
1	1	53111-14D11-30H	FENDER, FRONT (WHITE)
2	4	09116-06170	BOLT (6X16)
3	4	09169-06073	WASHER

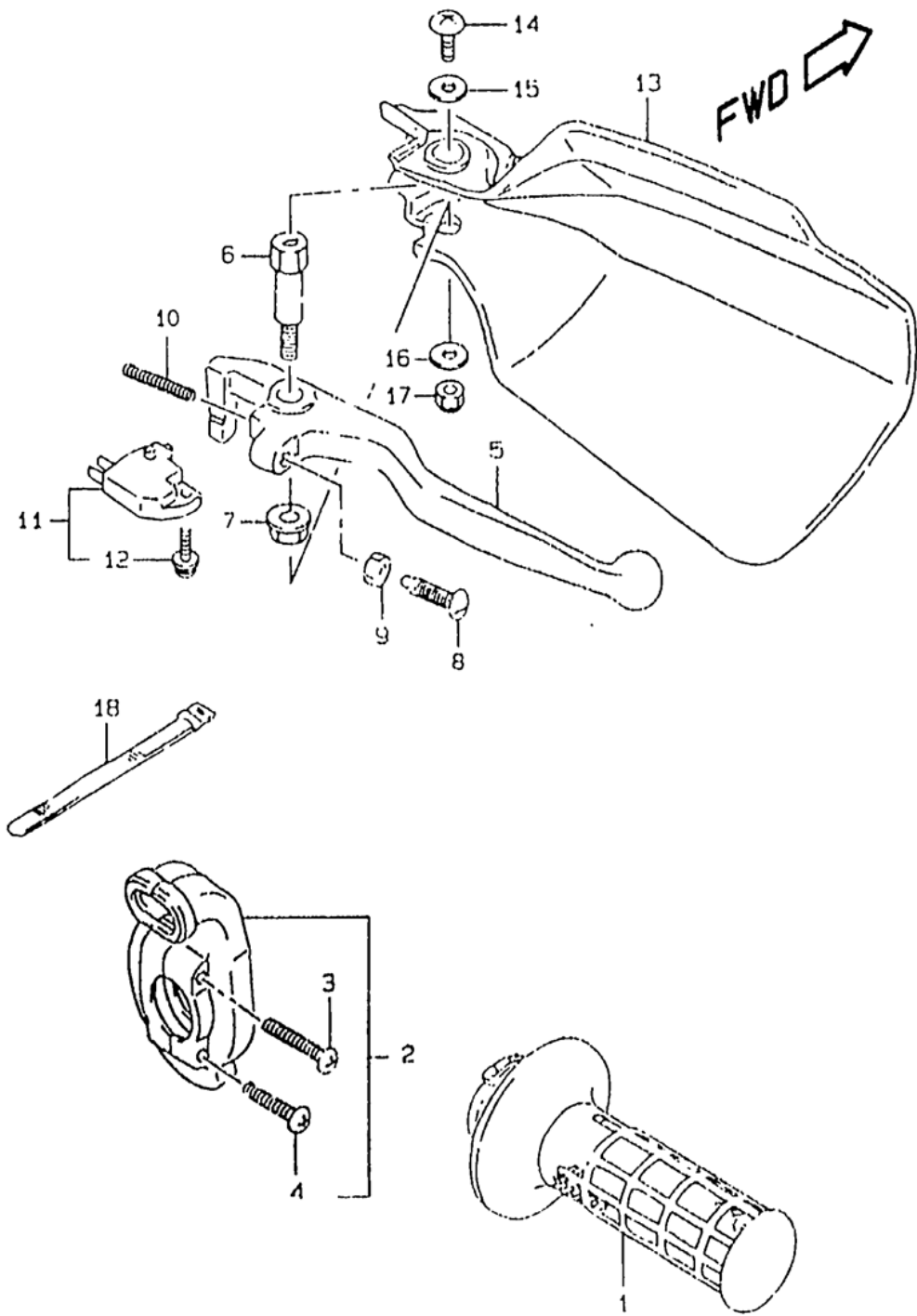
FIG. 39



**Table 39. HANDLEBAR**

Reference Number	Quantity Required	Part Number	Description
1	1	56110-14D11-291	HANDLEBAR (BLACK)
2	1	58200-14D21	CABLE ASSY, CLUTCH
3	1	58273-31000	BOOT, CLUTCH CABLE
4	1	58294-15D00	GUIDE, CLUTCH CABLE
5	1	58634-14D00	STOPPER, CLUTCH CABLE
6	1	58300-14E00	CABLE ASSY, ROTTLE
7	1	09403-09307	CLAMP
8	1	58285-14D01	CLAMP, CLUTCH CABLE
9	1	58620-15D20	GUIDE, CLUTCH CABLE
10	1	56500-13A11	MIRROR ASSY,REA
11	1	56600-13A11	MIRROR ASSY,REA

FIG. 40

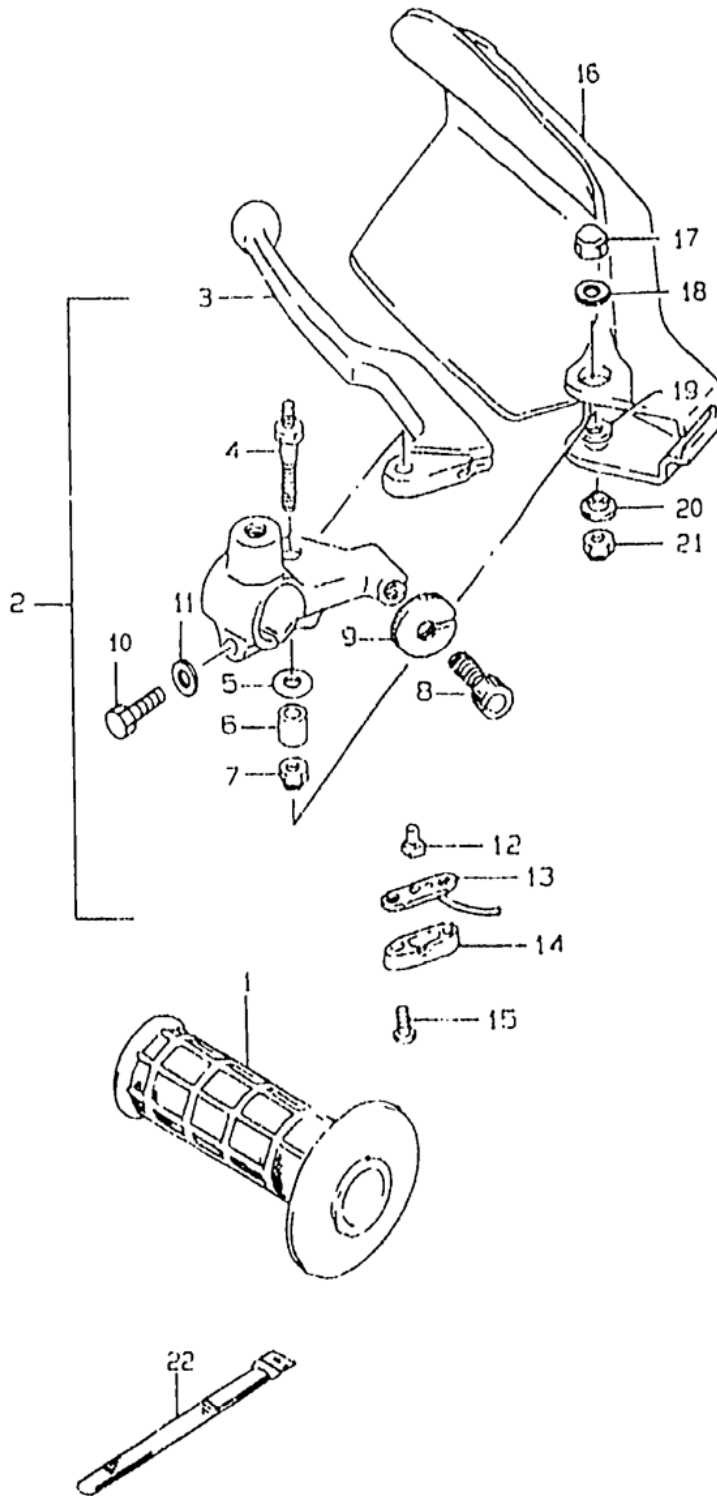


**Table 40. RIGHT HANDLE LEVER**

Reference Number	Quantity Required	Part Number	Description
1	1	57110-14D11	GRIP, THROTTLE
2	1	57100-14D00	CASE ASSY, THROTTLE
3	1	09125-05066	.SCREW
4	1	02112-0520B	SCREW
5	1	57421-03D00	LEVER, BRAKE
6	1	57431-05D00	BOLT, BRAKE LEVER PIVOT
7	1	08319-21068	.NUT
8	1	57431-14511	BOLT
9	1	08310-0005A	NUT
10	1	57318-14502	SPRING
11	1	57460-17C01	SWITCH ASSY, STOP
12	1	57465-17C00	.SCREW
13-1	1	57341-05D00-Z16	COVER, KNUCKLE RH (PURPLE)
13-2	1	57341-05D00-019	COVER, KNUCKLE RH (BLACK)
14	1	02142-05107	SCREW, SHIFT PLATE
15-1	1	09160-05043	.WASHER, 5.5X16X1.20
15-2	1	09160-05043	.WASHER, 5.5X16X1.20
16-1	1	09160-06130	.WASHER
16-2	1	09160-06130	.WASHER
17	1	08319-21068	.NUT
18	1	09407-12402	CLAMP

FIG. 41

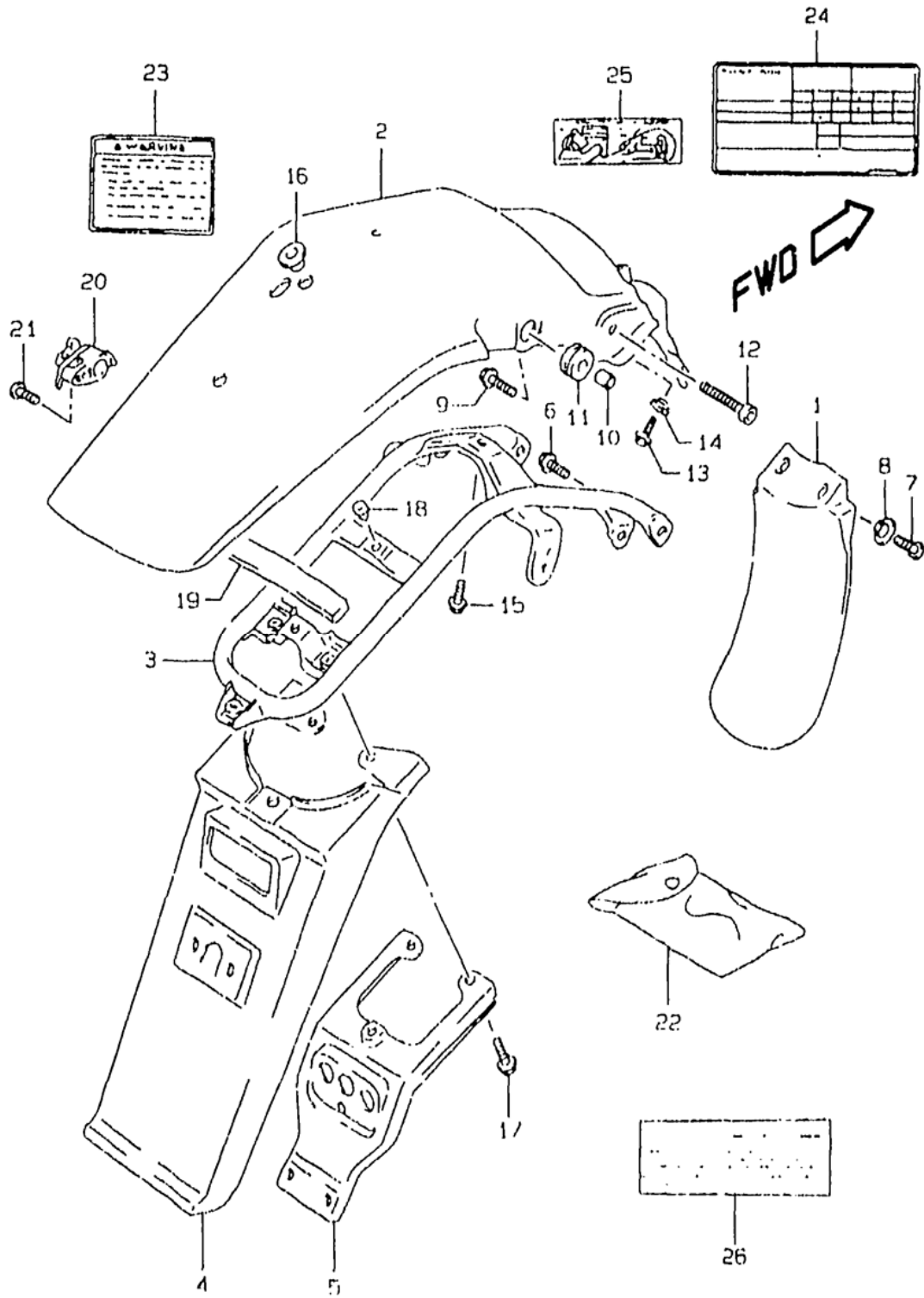
FWD 



**Table 41. LEFT HANDLE LEVER**

Reference Number	Quantity Required	Part Number	Description
1	1	57211-27C00	GRIP, LH
2	1	57500-15D11	LEVER ASSY, CLUTCH
3	1	57620-15D11	.LEVER
4-1	1	57531-44B01	.BOLT
4-2	1	57531-44B01	.BOLT
5	1	08322-01067	.WASHER, THROTTLE ROD
6	1	57532-44B00	.SPACER
7	1	08319-2106B	NUT
8	1	57441-44400	.ADJUSTER, CABLE
9	1	57442-44B00	.NUT
10	1	01500-06207	BOLT
11	1	08322-01067	.WASHER, THROTTLE ROD
12	1	57465-18601	.CONTACT
13	1	57541-49100	.WIRE HARNESS
14	1	57481-33010	.COVER
15	2	57484-49110	.SCREW
16-1	1	57541-31D00-Z16	COVER, KNUCKLE LH (PURPLE)
16-2	1	57541-31D00-019	COVER, KNUCKLE LH (BLACK)
17	1	08313-1006A	NUT
18	1	09160-06066	WASHER, THROTTLE LEVER
19	1	09160-06019	WASHER
20	1	09169-06040	WASHER
21	1	08319-21068	.NUT
22	1	09407-12402	CLAMP

FIG. 42

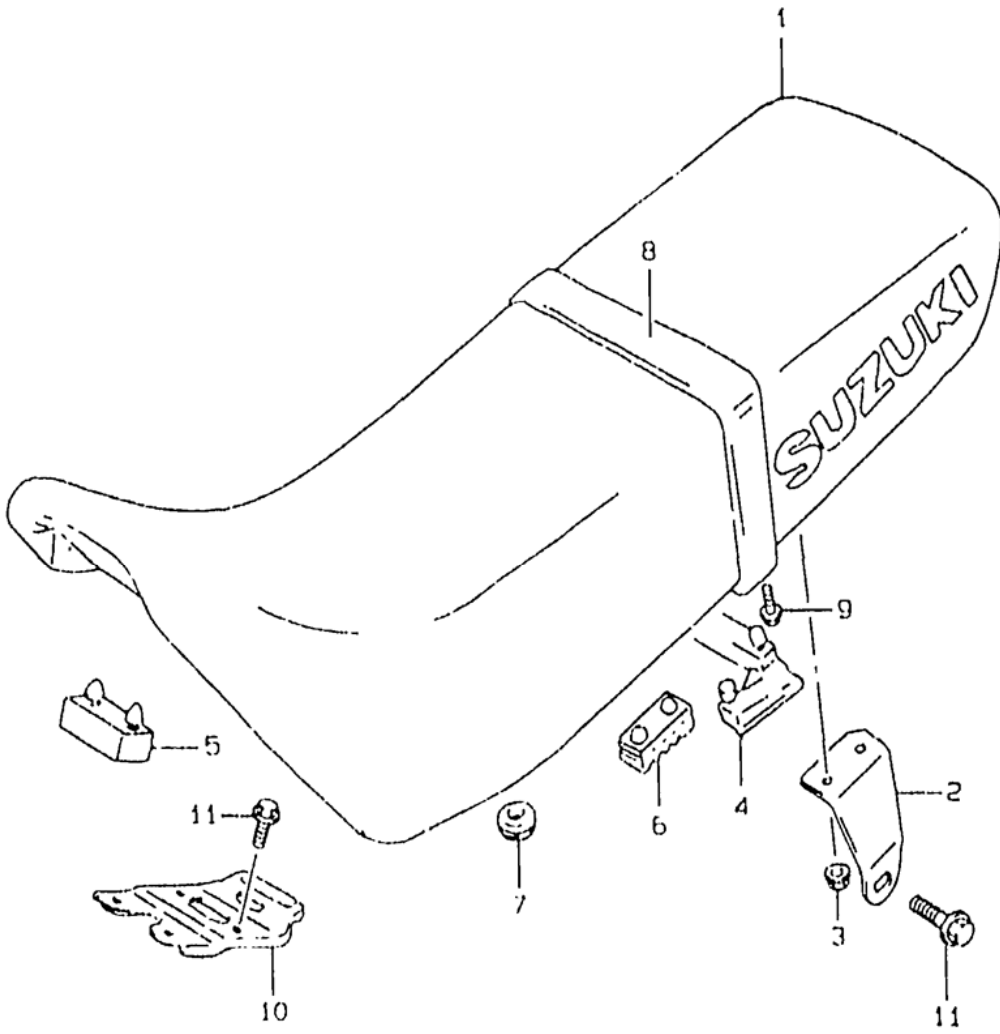




**Table 42. REAR FENDER**

Reference Number	Quantity Required	Part Number	Description
1	1	63112-14D00	BODY, REAR FENDER FRONT
2	1	63113-14D23-30H	BODY, REAR FENDER, REAR WHITE
3	1	63120-14D11	REINFORCEMENT, REAR FENDER
4	1	63311-03D20	EXTENSION, REAR FENDER
5	1	63320-03D03	REINFORCEMENT, EXTENSION
6	2	09103-08275	BOLT, FRONT
7	2	02142-0612A	SCREW
8	2	09169-06055	WASHER
9	2	09103-08292	BOLT, CENTER
10	2	09180-08187	SPACER
11	2	09320-12011	CUSHION
12	2	09106-08105	BOLT, SPACER
13	1	01550-0616A	BOLT
14	1	09169-06038	WASHER
15	1	01580-0816A	BOLT
16-1	1	09160-14032	WASHER
16-2	1	09160-14032	WASHER
17	3	01580-0616A	BOLT
18	1	09321-06013	CUSHION
19	1	63191-44A00	CUSHION
20	1	95700-03811	LOCK SET, HELMET
21	1	02112-0512A	.SCREW, VACUUM VALVE
22	1	09800-21034	TOOL ASSY
23-1	1	68319-33E01	LABEL, WARNING
23-2	1	68319-33E11	LABEL, WARNING
24-1	1	68332-14D00	LABEL, TIRE AIR PRESSURE
24-2	1	68332-14E30	LABEL, TIRE INFORMATION
25	1	68387-15D00	LABEL, PIPING DIAPHRAGM
26	1	68353-26E02	LABEL, MANUAL NOTICE
27-1	1	99011-14D93-03A	MANUAL, OWNER'S
27-2	1	99011-14D94-03A	MANUAL, OWNER'S
27-3	1	99011-14D95-03A	MANUAL, OWNER'S

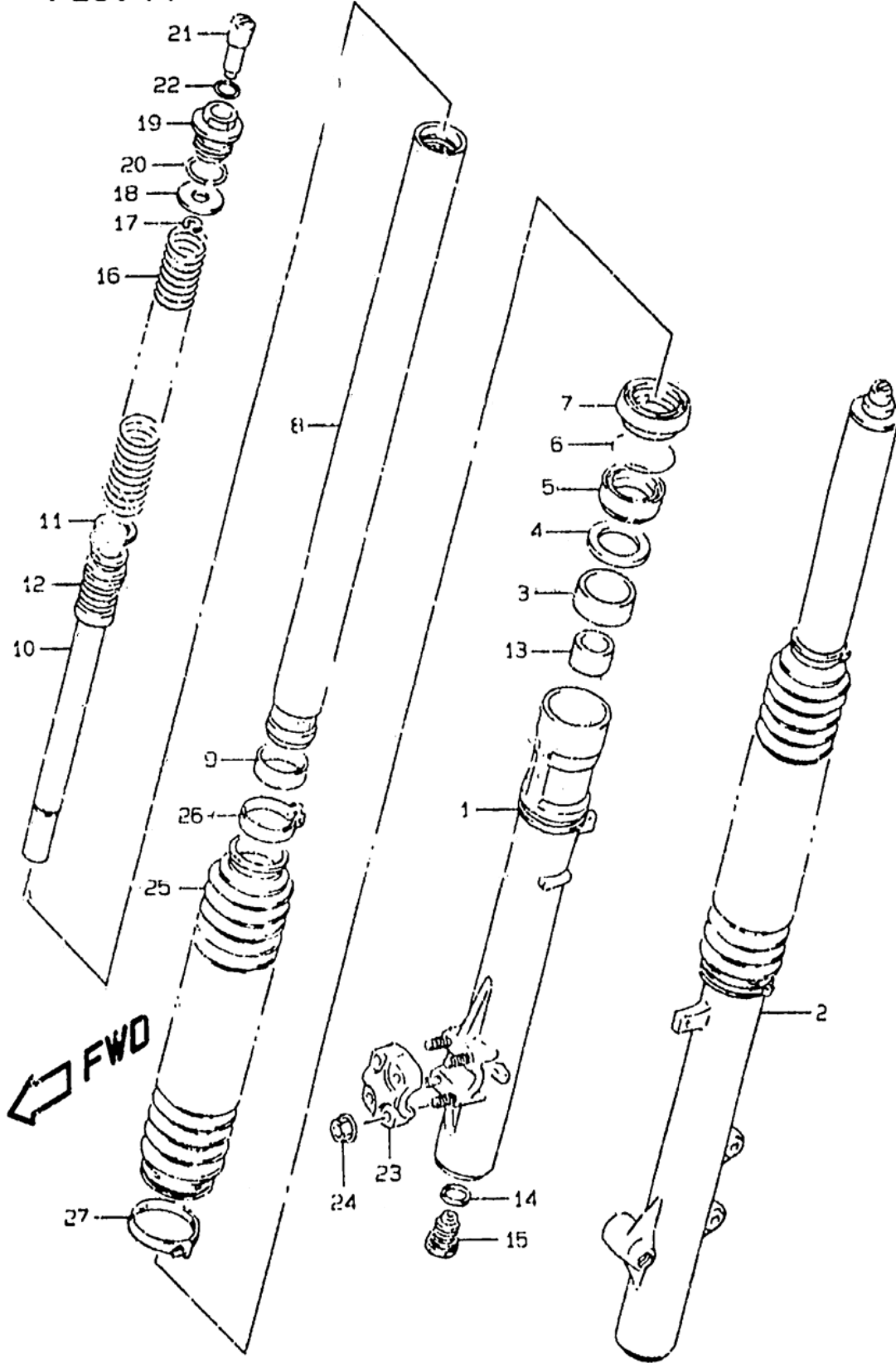
FIG. 43



**Table 43. SEAT**

Reference Number	Quantity Required	Part Number	Description
1-1	1	45100-15D40-E8U	SEAT ASSY
1-2	1	45100-15D60-L3R	SEAT ASSY
2-1	1	45116-14D00	.BRACKET, RH
2-2	1	45117-14D00	.BRACKET, LH
3	4	08316-1006B	NUT
4	1	45255-14D00	.CUSHION, SEAT
5	3	09321-08006	.CUSHION
6	2	45149-31300	.CUSHION, CENTER (40X20X15)
7	2	09320-08013	CUSHION
8-1	1	45180-15D10-R32	.BAND, SEA (PURPLE)
8-2	1	45180-15D10-T65	.BAND, SEA (BLACK)
9	2	01550-0620A	BOLT
10	1	45120-15D01	PLATE,SEAT SUPPORT FRONT
11	4	01550-0812A	PLUG, OIL GALLERY

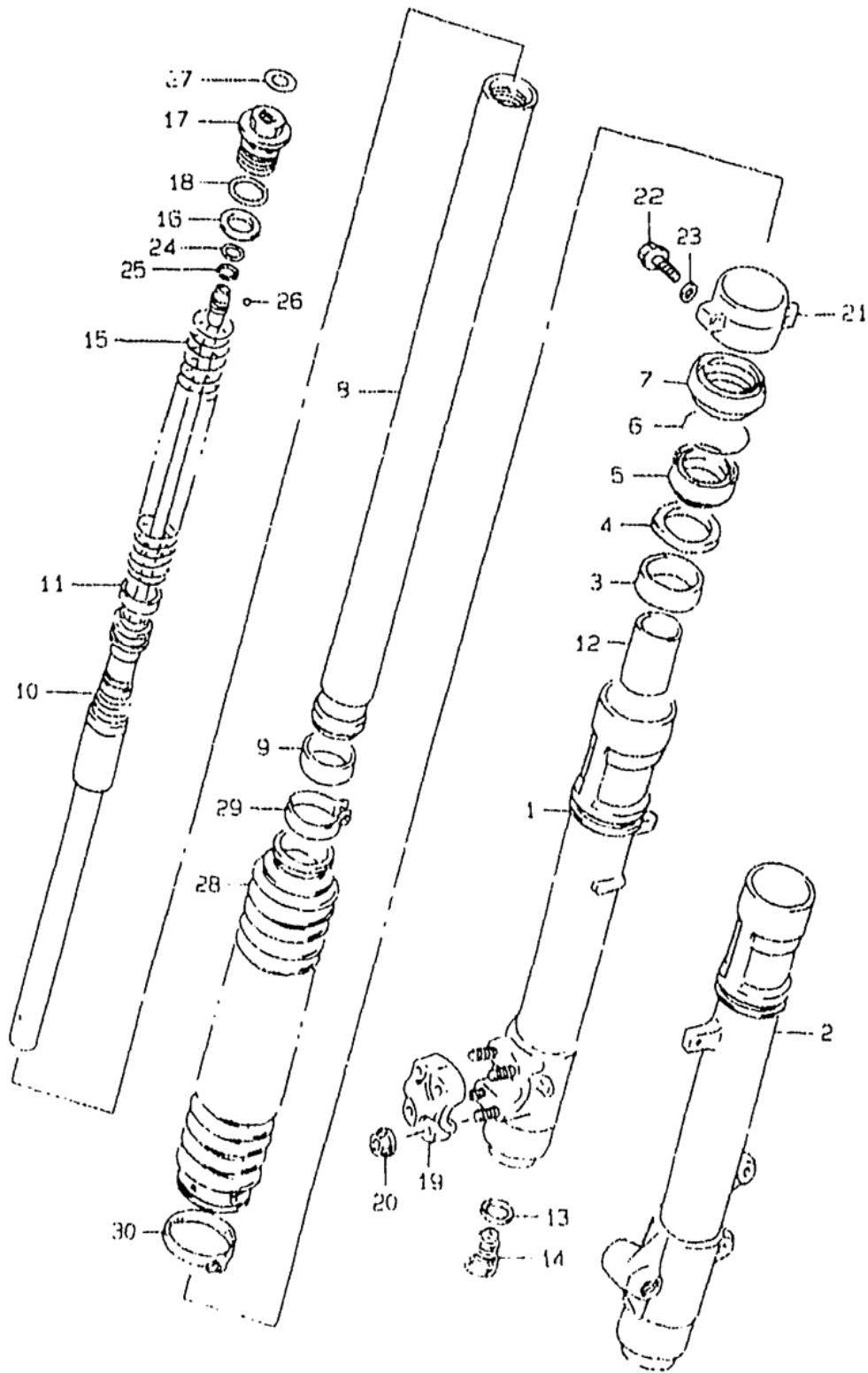
**FIG. 44**



**Table 44. FRONT DAMPER (MODEL V)**

Reference Number	Quantity Required	Part Number	Description
	1	51103-14EA0	DAMPER ASSY, FRONT FORK RH
-1	1	51104-14EA0	DAMPER ASSY, FRONT FORK LH
1	1	51130-14EA0	.TUBE, OUTER RH
2	1	51140-14EA0	.TUBE, OUTER LH
3	2	51152-07D00	.BUSH, GUIDE
4	2	51168-17C00	.SPACER, SEAL
5	2	51153-14D00	.SEAL, OIL
6	2	51556-38B00	.RING, STOPPER
7	2	51173-14D00	.SEAL, DUST
8	2	51110-14D40	.TUBE, INNER
9	2	51121-14D00	.BUSH, SLIDE
10	2	51190-14D40	.ROD, FRONT DAMPER
11	2	51196-14D00	.RING, PISTON
13	2	51195-14D00	.PIECE, OIL LOCK
14	2	51148-14D00	.GASKET
15	2	51170-14D40	.BOLT, PIECE
16	2	51171-14D40	.SPRING, FRONT
17	2	51788-11420	.E RING
18	2	51186-12C00	.SEAT, SPRING
19	2	51189-14D00	.BOLT, FORK
20	2	51117-17C00	.O RING
21	2	51185-14D00	.ADJUSTER, SPRING
22	2	09280-14011	O RING (D:2.5,ID:13.8)
23	1	51132-15D40	HOLDER, AXLE RH
24	1	51168-14D00	.NUT, AXLE HOLDER
25	2	51571-14D00-163	BOOT (YELLOW)
26	2	51575-14D00	BAND, BOOT UPPER
27	2	51576-42AA0	BAND, BOOT LOWER

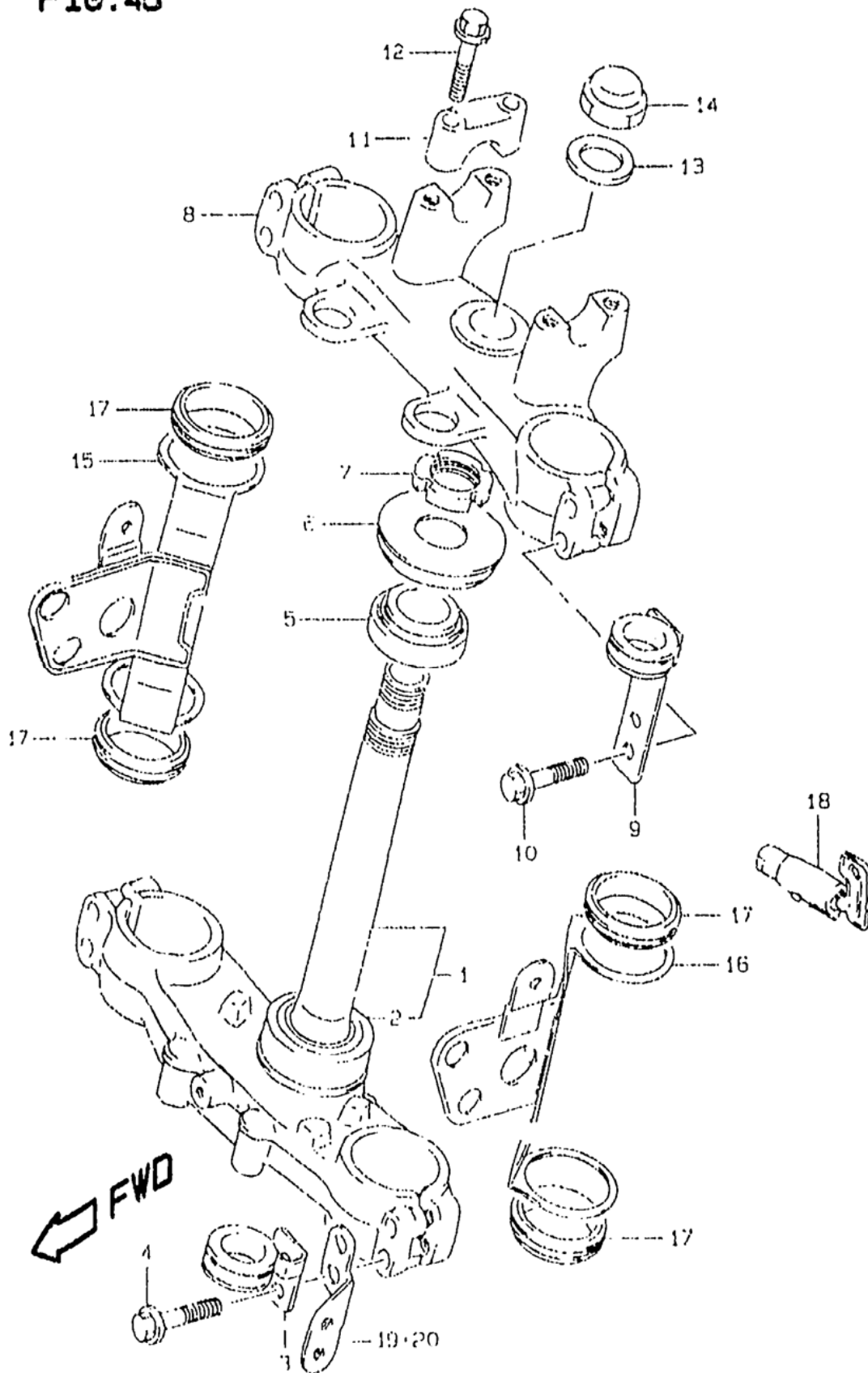
FIG. 44A



**Table 44A. FRONT DAMPER (MODEL W X)**

Reference Number	Quantity Required	Part Number	Description
	1	51103-14EE0	DAMPER ASSY, FRONT FORK RH
-1	1	51104-14EE0	DAMPER ASSY, FRONT FORK LH
1	1	51130-13E00	.TUBE, OUTER RH
2	1	51140-13E00	.TUBE, OUTER LH
3	2	51152-13E00	.BUSH, GUIDE
4	2	51168-17C00	.SPACER, SEAL
5	2	51153-14D00	.SEAL, OIL
6	2	51556-38B00	.RING, STOPPER
7	2	51173-14D00	.SEAL, DUST
8	2	51110-14E90	.TUBE, INNER
9	2	51121-13E00	.BUSH, SLIDE
10	2	51190-14EE0	.ROD, FRONT DAMPER
11	2	51197-14E30	.BUSH, SLIDE
12	2	51195-14E90	.PIECE, OIL LOCK
13	2	51148-08D00	.GASKET
14	2	51170-14E90	.BOLT, CENTER
15	2	51171-14EE0	.SPRING, FRONT
16	2	51186-17C00	.SEAT, SPRING LOWER
17	2	51351-14E90	.BOLT, FORK
18	2	51117-17C00	.O RING
19	1	51132-13E00	.HOLDER, AXLE RH
20	4	08319-31067	.NUT, AXLE HOLDER
21	2	51203-13E00	.HOLDER
22	2	07130-05207	.BOLT
23	2	09160-05044	.WASHER
24	2	09280-14011	O RING (D:2.5,ID:13.8)
25	2	51836-17C00	.EXPANDER
26	2	51835-17C00	.BALL
27	2	51149-29E00	.LABEL, S-H
28	2	51571-14D00-163	BOOT (YELLOW)
29	2	51575-14D00	BAND, BOOT UPPER
30	2	51576-14D00	BAND, BOOT LOWER

FIG. 45

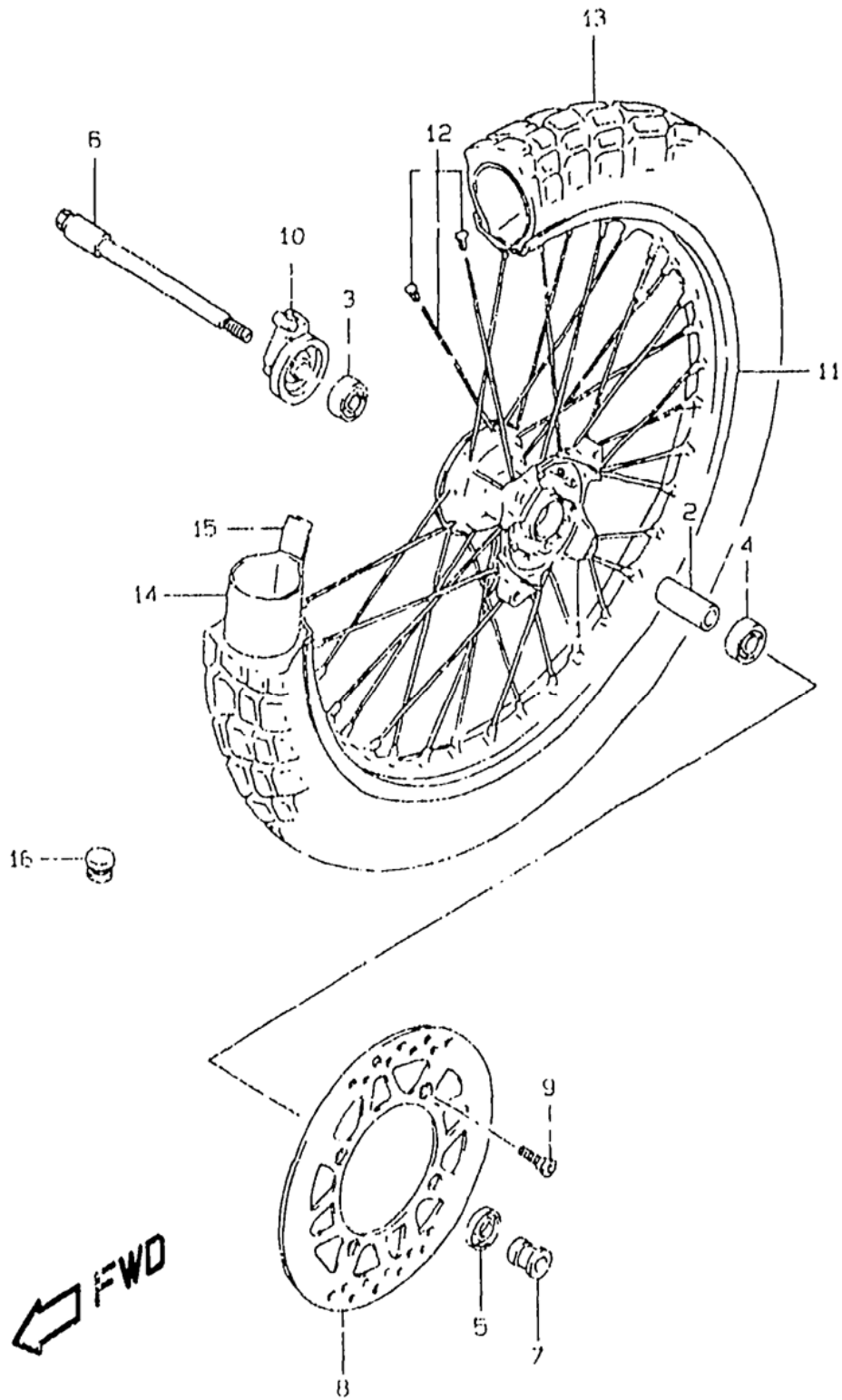




**Table 45. STEERING STEM**

Reference Number	Quantity Required	Part Number	Description
1-1	1	51410-14ED0	STEM, STEERING
1-2	1	51410-14ED0	STEM, STEERING
2	1	09265-30009	.BEARING (30X55X17)
3	1	51453-03D10	GUIDE, CABLE LH LOWER
4	4	01550-08407	BOLT
5	1	09265-25019	BEARING (25X47X15)
6	1	51643-40200	DUST SEAL
7	1	51631-40200	NUT, STEM
8	1	51311-14D10	HEAD, STEERING STEM
9	1	51288-14D10	GUIDE, CABLE LH UPPER
10	4	01550-0840A	BOLT
11	2	56211-27200-291	HOLDER, HANDLE UPPER (BLACK)
12	4	01550-0835A	BOLT
13	1	51354-14D00	WASHER
14	1	51353-24B00	NUT
15	1	51530-15D00	BRACKET, HOUSING RH
16	1	51540-15D00	BRACKET, HOUSING LH
17	4	51553-15D00	RUBBER, DAMPER
18	1	51900-30901	LOCK ASSY, STEERING (SPARE KEYS FOR THIS LOCK CAN BE ORDERED THROUGH YOUR PARTS COORDINATOR. YOU MUST HAVE THE KEY NUMBER WHICH IS ONLY FOUND ON THE ORIGINAL PLASTIC DOG TAG SUPPLIED WITH THE VEHICLE WHEN NEW.)
19	1	35956-14D01	BRACKET, REFLECTOR RH
20	1	35957-14D01	BRACKET, REFLECTOR LH

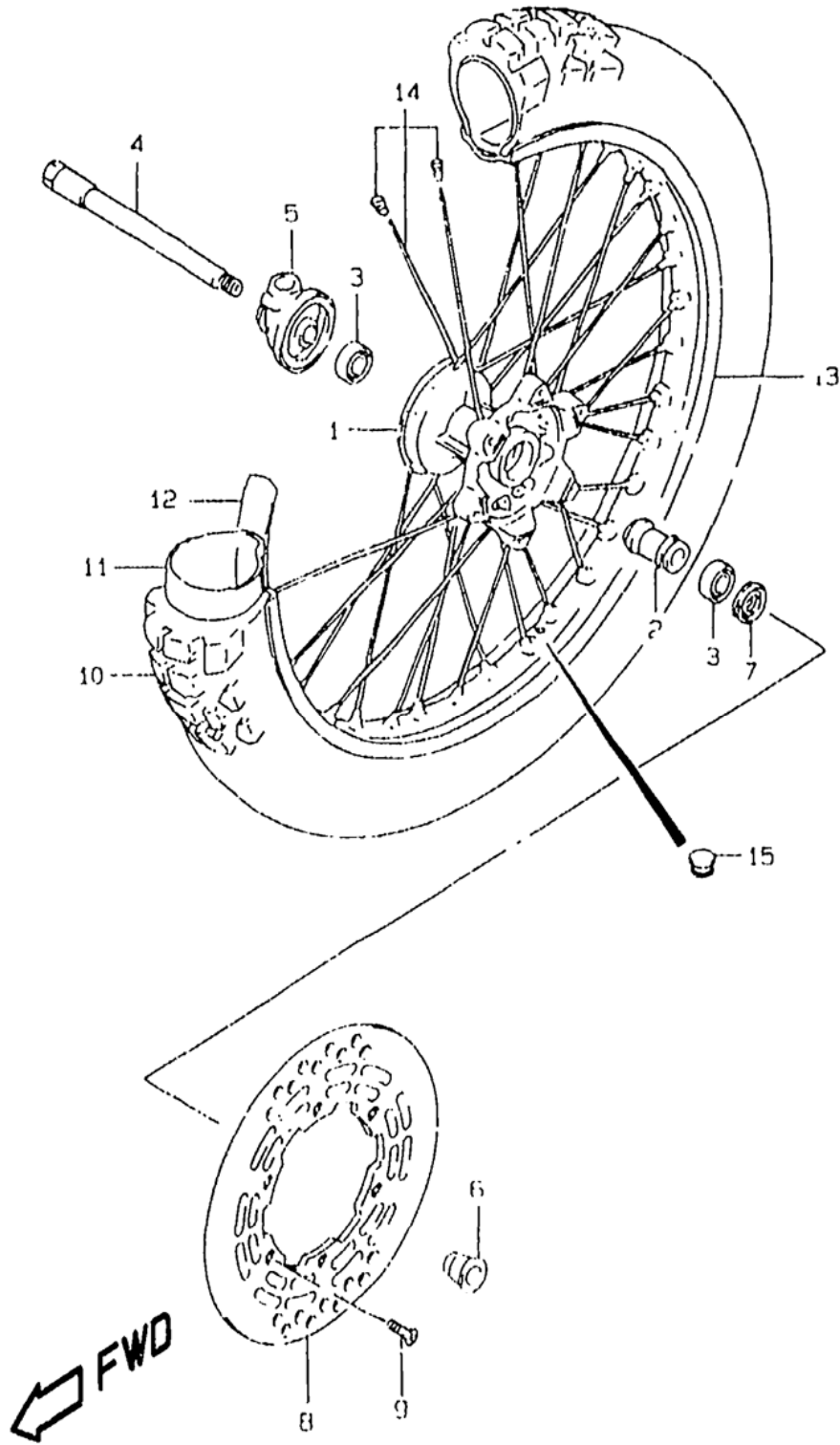
FIG. 46



**Table 46. FRONT WHEEL (MODEL V)**

Reference Number	Quantity Required	Part Number	Description
1	1	54111-15D00	HUB, FRONT WHEEL
2	1	54731-44B00	SPACER, HUB BEARING
3	1	08113-62027	BEARING, RH
4	1	08123-62027	BEARING, FRONT WHEEL
5	1	09284-22004	SEAL, FRONT WHEEL DUST
6	1	54711-14D00	AXLE, FRONT
7	1	54751-14D00	SPACER, AXLE LH
8	1	59221-14D00	DISC, FRONT BRAKE
9	4	09106-08155	BOLT, DISC
10	1	54600-14D00	BOX ASSY, SPEEDOMETER GEAR
11	1	55311-08D01	RIM, FRONT WHEEL (1.60x21)
12	1	55320-44B00	SPOKE SET, FRONT WHEEL
13	1	55110-15D50	TIRE, FRONT (80/100-21)
14	1	55200-16510	TUBE ASSY, WHEEL INNER
15	1	55261-14540	PROTECTOR, INNER TUBE
16	1	09250-08013	CAP

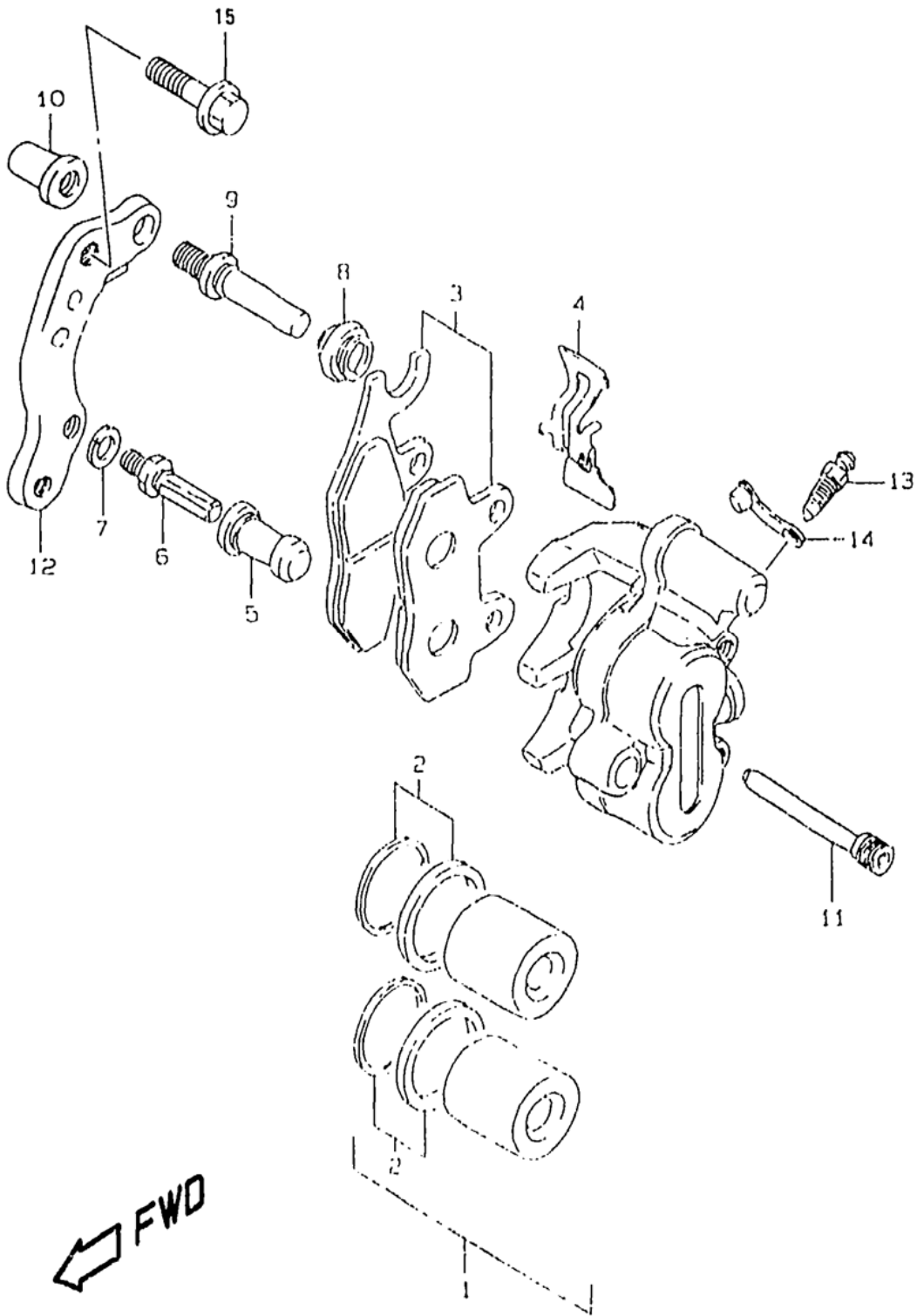
FIG. 46A



**Table 46A. FRONT WHEEL (MODEL W X)**

Reference Number	Quantity Required	Part Number	Description
1	1	54111-29E00	HUB, FRONT WHEEL
2	1	54730-01B00	SPACER, BEARING
3	2	08123-60037	BEARING
4	1	54711-05D01	AXLE, FRONT
5	1	54600-05D00	BOX ASSY, SPEEDOMETER GEAR
6	1	54751-05D00	SPACER, FRONT AXLE LH
7	1	09284-23001	OIL SEAL (23X35X6)
8	1	59221-13E00	DISC, FRONT BRAKE LH
9	6	09120-06014	SCREW, DISC
10	1	55110-15D50	TIRE, FRONT (80/100-21)
11	1	55200-16510	TUBE ASSY, WHEEL INNER
12	1	55261-14540	PROTECTOR, INNER TUBE
13	1	55311-08D01	RIM, FRONT WHEEL (1.60x21)
14	1	55320-44B00	SPOKE SET, FRONT WHEEL
15	1	09250-08013	CAP

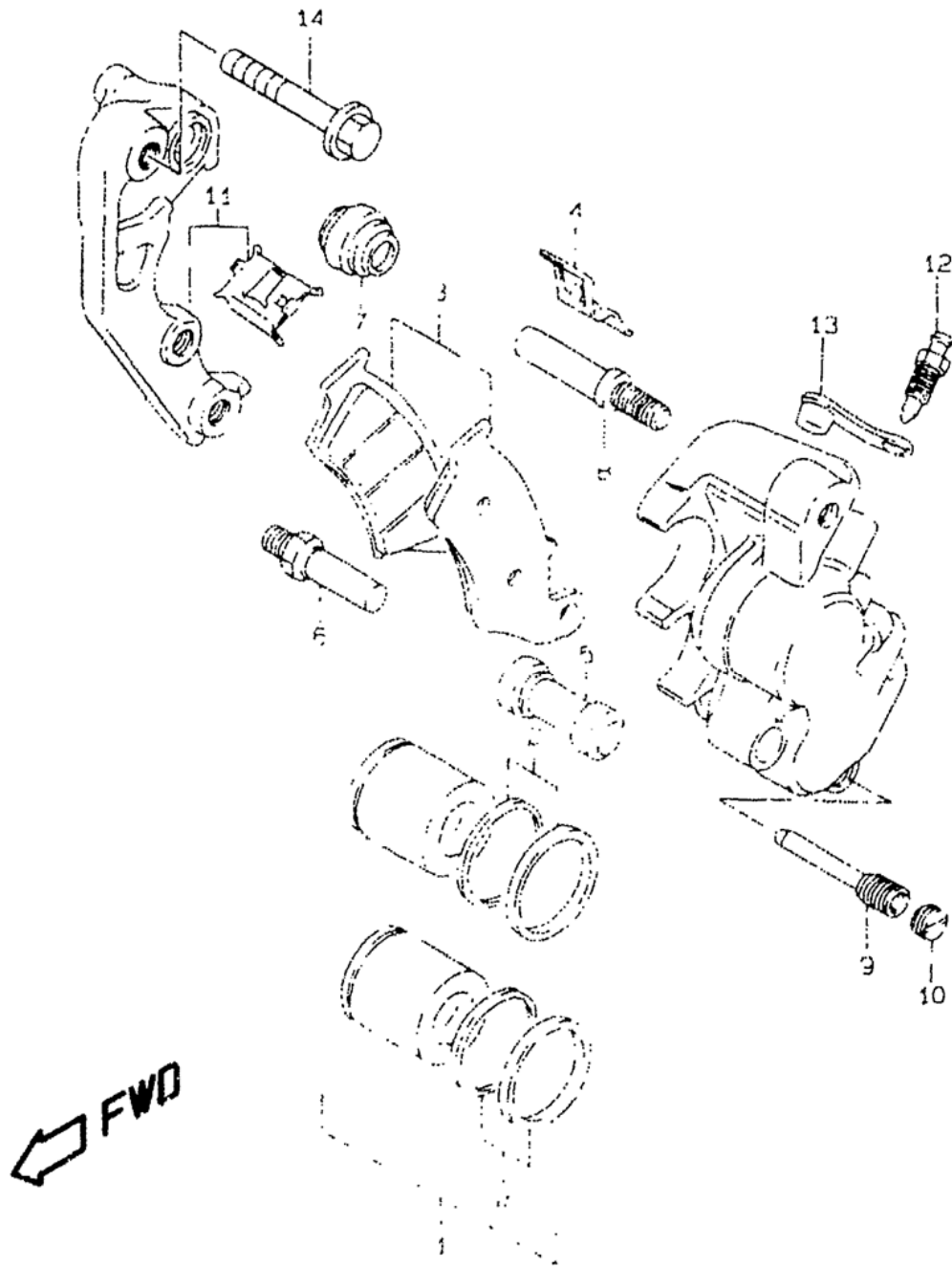
FIG. 47



**Table 47. FRONT CALIPER (MODEL V)**

Reference Number	Quantity Required	Part Number	Description
	1	59300-08D00-999	CALIPER ASSY,FR
1	1	59300-26840	.PISTON SET
2	1	59300-13820	..SEAL SET, PISTON
3	1	59300-08810	.PAD SET
4	1	59315-00B20	.SPRING, PAD
5	1	59386-13A00	.BOOT
6	1	59382-13A00	.BOLT
7	1	59314-13A00	.WASHER
8	1	59303-14500	.BOOT
9	1	59387-00B20	.PIN
10	1	59388-00B20	.NUT
11	2	59345-00B20	.PIN
12	1	59351-00B20	.BRACKET, RH
13	1	59121-01A00	.BLEEDER
14	1	59122-01A00	.CAP, BLEEDER
15	2	09103-08226	BOLT (8X24)

**FIG. 47A**

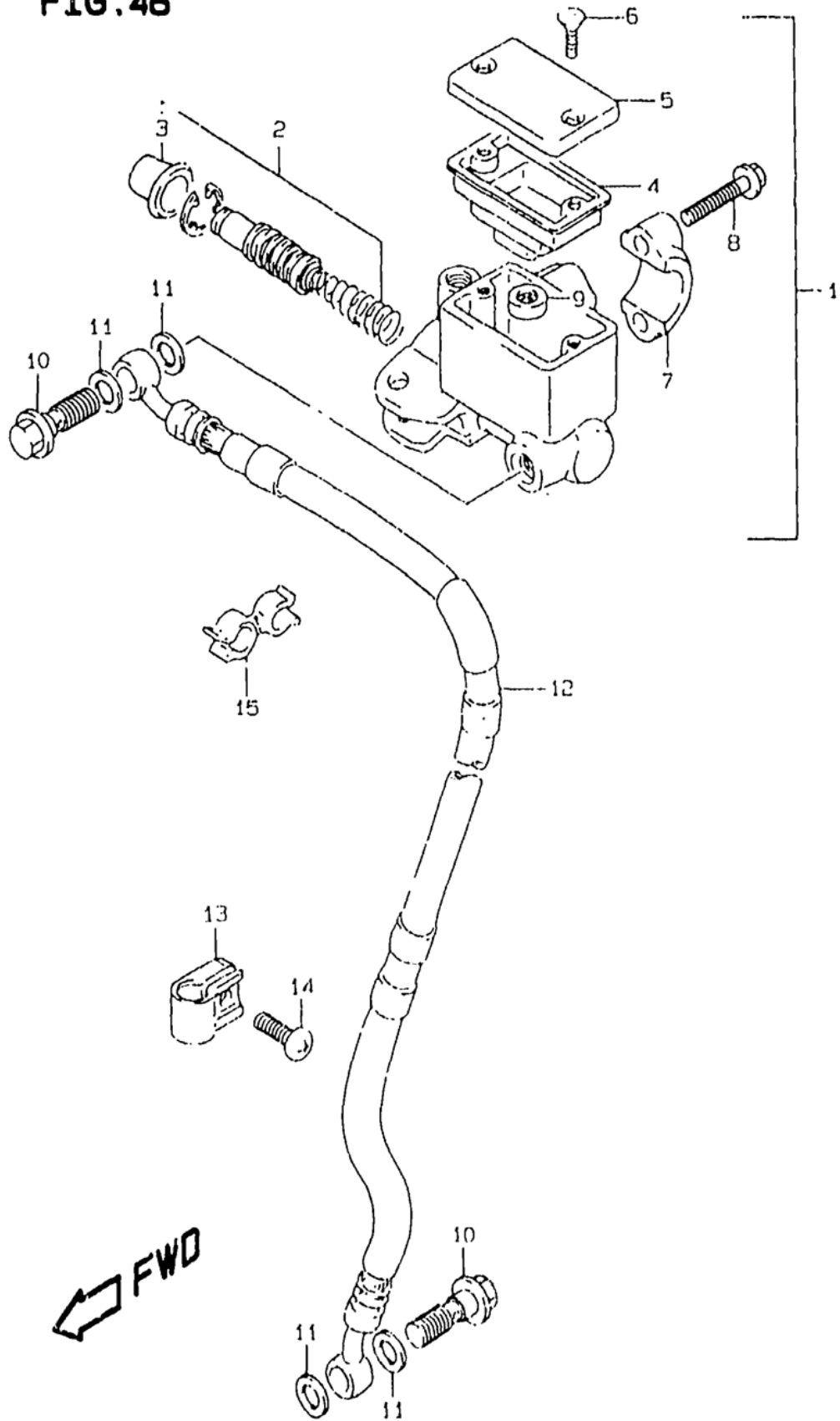




**Table 47A. FRONT CALIPER (MODEL W X)**

Reference Number	Quantity Required	Part Number	Description
	1	59300-13E00-999	CALIPER ASSY, FRONT LH
1	1	59300-27840	.PISTON SET
2	1	59300-13820	..SEAL SET, PISTON
3	1	59300-13830	PAD SET
4	1	59315-13E00	.SPRING
5	1	59386-13A00	.BOOT
6	1	59382-27C30	.BOLT
7	1	59303-14500	.BOOT
8	1	59305-27C00	.PIN
9	1	59345-13E00	.PIN, HANGER
10	1	59146-21E10	.PLUG, PIN
11	1	59350-13E00	.BRACKET
12	1	59121-01A00	.BLEEDER
13	1	59122-01A00	.CAP, BLEEDER
14	2	09103-08338	BOLT (8X40)

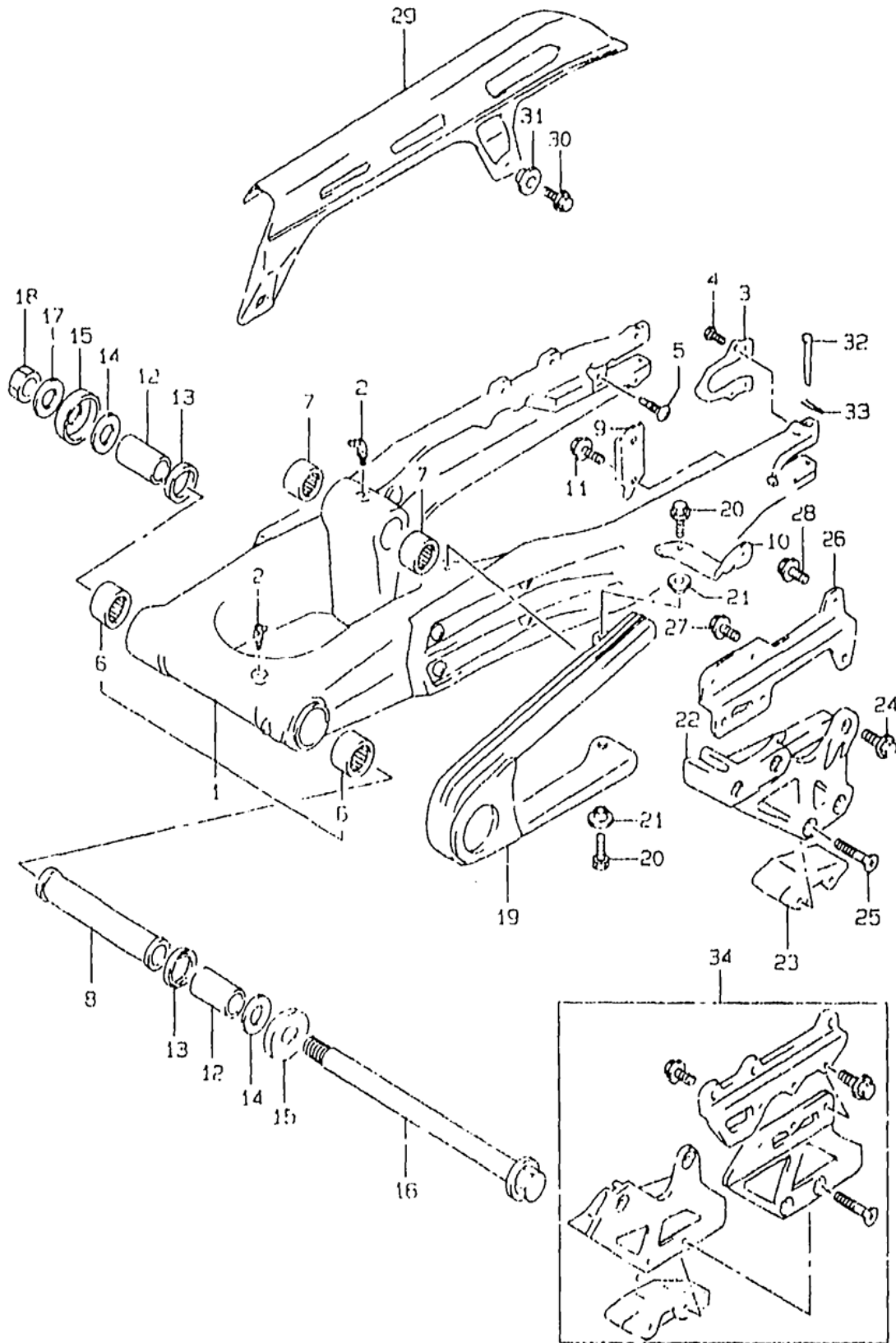
FIG. 48



**Table 48. FRONT MASTER CYLINDER**

Reference Number	Quantity Required	Part Number	Description
1	1	59600-03D00	CYLINDER ASSY, FRONT MASTER
2	1	69600-38810	.PISTON/CUP SET
3	1	59666-44300	..BOOT
4	1	59667-44B00	.DIAPHRAGM
5	1	59669-03D00	.CAP
6	2	02122-0412A	SCREW
7	1	59671-03D00	.HOLDER
8	2	59675-27C00	.BOLT
9	1	59748-14500	.SEPARATOR
10-1	2	09360-10061	UNION (MODEL VMODEL W/X)
10-3	1	09360-10040	BOLT, CYLINDER HEAD HOSE UNIO
11	4	09161-10009	WASHER (10X15X1.5)
12-1	1	59480-15D01	HOSE, FRONT BRAKE
12-2	1	59480-14D40	HOSE, FRONT BRAKE
13	1	58621-07A10	CLAMP, BRAKE HOSE
14	1	02142-0616A	SCREW
15	1	09408-00145	CLIP

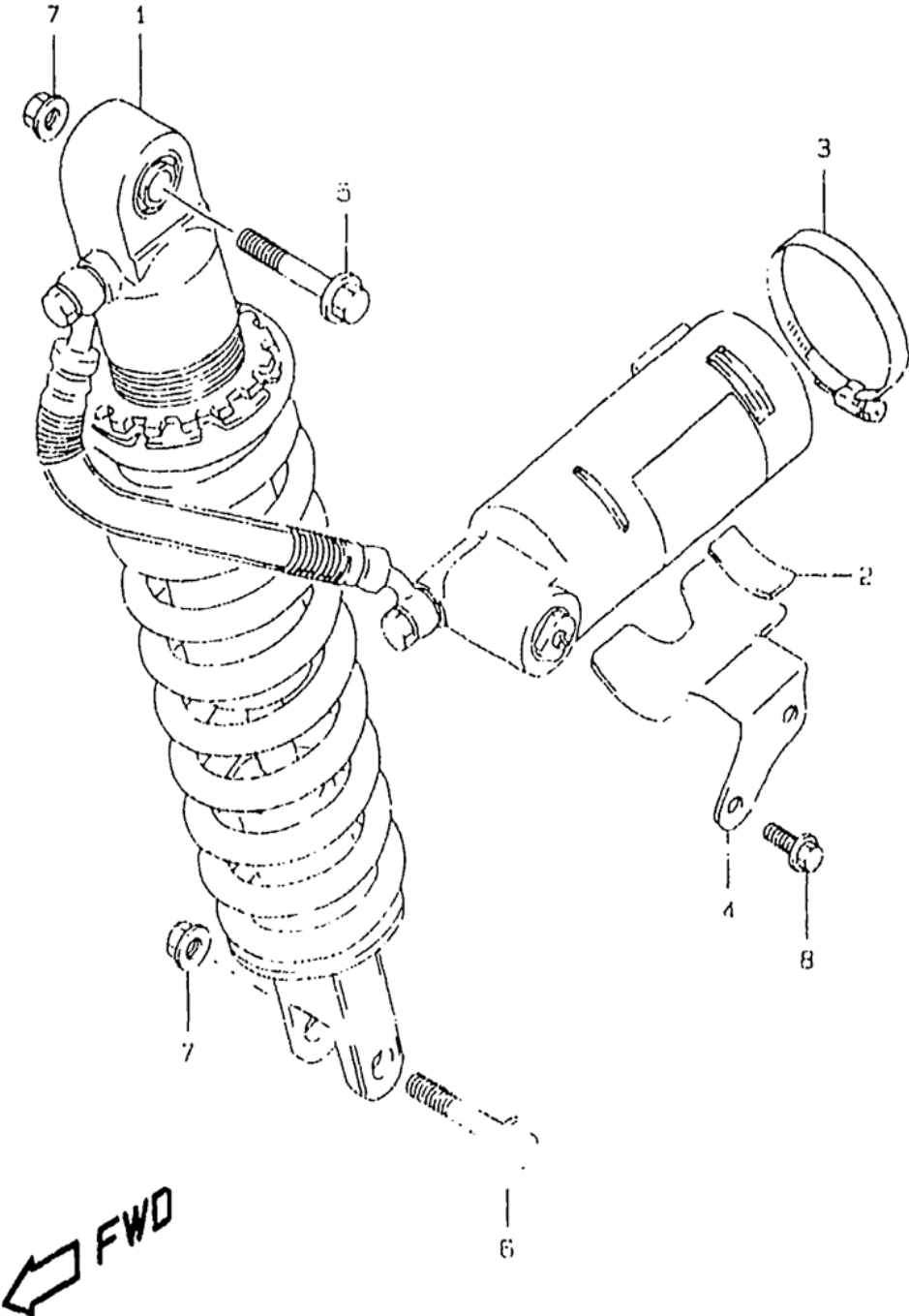
FIG. 49



**Table 49. REAR SWINGING ARM**

Reference Number	Quantity Required	Part Number	Description
1	1	61000-14D50	SWINGING ARM ASSY, REAR
2	2	08351-3100A	NIPPLE,GREASE
3	2	61128-14D00	.PLATE, REAR
4	4	09125-05072	SCREW
5	2	09139-10001	.SCREW (10X21)
6	2	09263-22017	.BEARING, PIVOT (22X29X30)
7	2	09263-20071	.BEARING, CENTER (20X27X23.5)
8	1	09180-17097	.SPACER, PIVOT CENTER
9	1	61140-15D10	PLATE, CHAIN CASE, FRONT
10	1	61144-15D10	PLATE, CHAIN CASE, REAR
11	1	09103-05013	BOLT (5x8)
12	2	61251-14D00	SPACER, PIVOT BEARING
13	2	09285-22001	.SEAL, INNER (22X29X4)
14	2	08211-17341	THRUST WASHER
15	2	61262-28C10	COVER, PIVOT
16	1	61211-14D00	SHAFT, PIVOT
17	1	08322-0116A	WASHER
18	1	09159-16007	NUT
19	1	61273-14D00	BUFFER, CHAIN TOUCH DEFENSE
20	2	01500-0616A	BOLT
21	2	09169-06057	WASHER
22	1	61340-15E00	GUIDE, CHAIN
23	1	61348-15E00	DEFENSE, CHAIN GUIDE
24	3	01550-0616A	BOLT
25	2	02122-06503	SCREW, LOWER
26	1	61154-14D00	BRACKET, CHAIN GUIDE
27	2	01550-0616A	BOLT
28	1	01550-0612A	BOLT
29	1	61310-14A00	CHAIN CASE
30-1	2	01550-0610A	BOLT
30-2	2	09116-06096	SCREW, CHAIN CASE
31	2	09169-06026	WASHER
32	2	09200-06065	PIN, REAR AXLE
33	2	09385-06012	CLIP
34	1	61300-14811	GUIDE SET,CHAIN

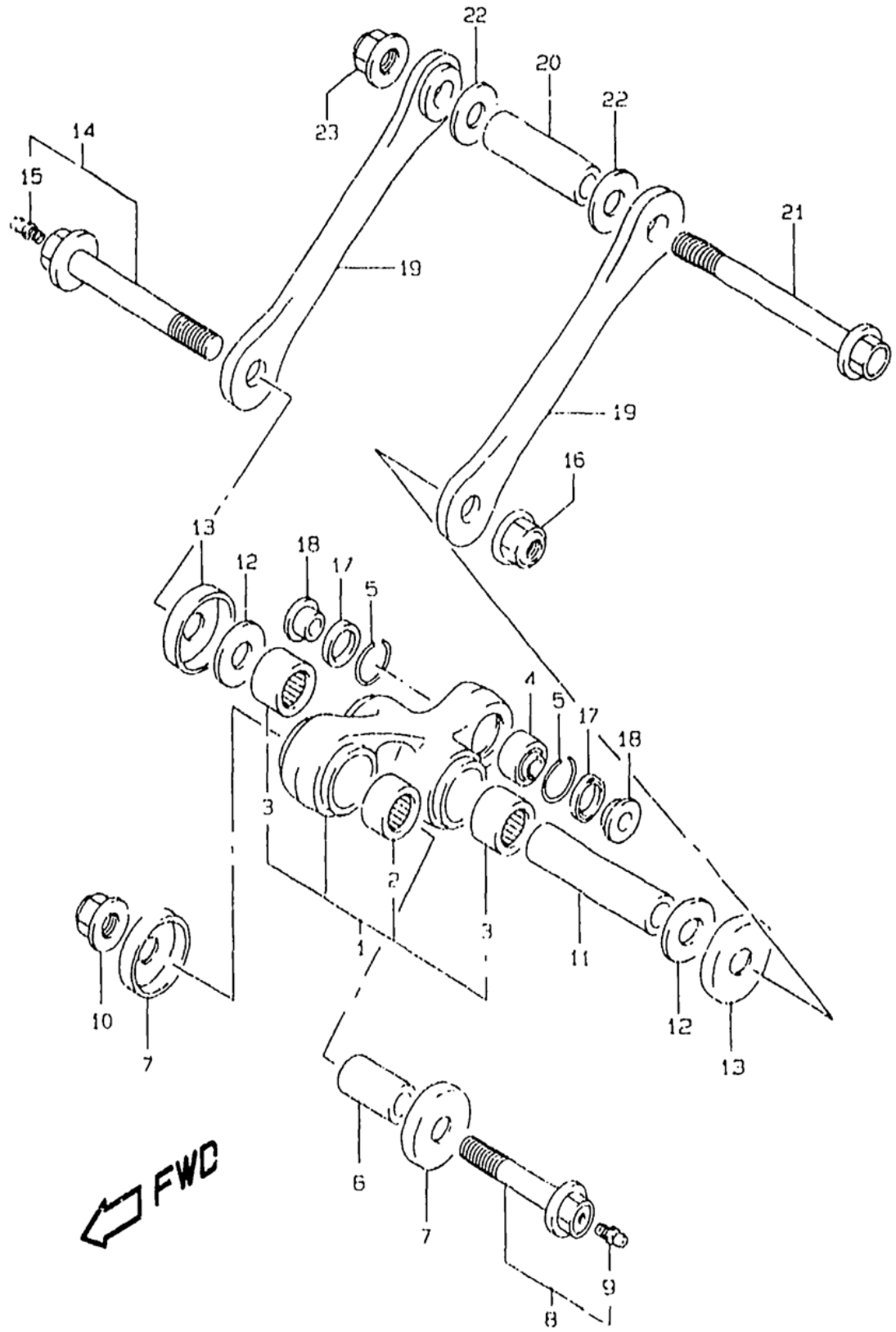
FIG. 50



**Table 50. REAR SHOCK ABSORBER**

Reference Number	Quantity Required	Part Number	Description
1-1	1	62100-14E61-1TS	ABSORBER ASSY, REAR SHOCK (WHI
1-2	1	62100-14E71-1TS	ABSORBER ASSY,R
2	2	53146-20C00	CUSHION, FENDER UNDER
3	2	09402-60502	CLAMP
4	1	62420-14D10	.BRACKET, TANK
5	1	62311-28E00	BOLT, LOWER (10X54)
6-1	1	62648-14500	BOLT
6-2	1	62311-28E00	BOLT, LOWER (10X54)
7	2	09159-10115	NUT
8	2	01550-0610A	BOLT

**FIG. 51**





**Table 51. REAR CUSHION LEVER**

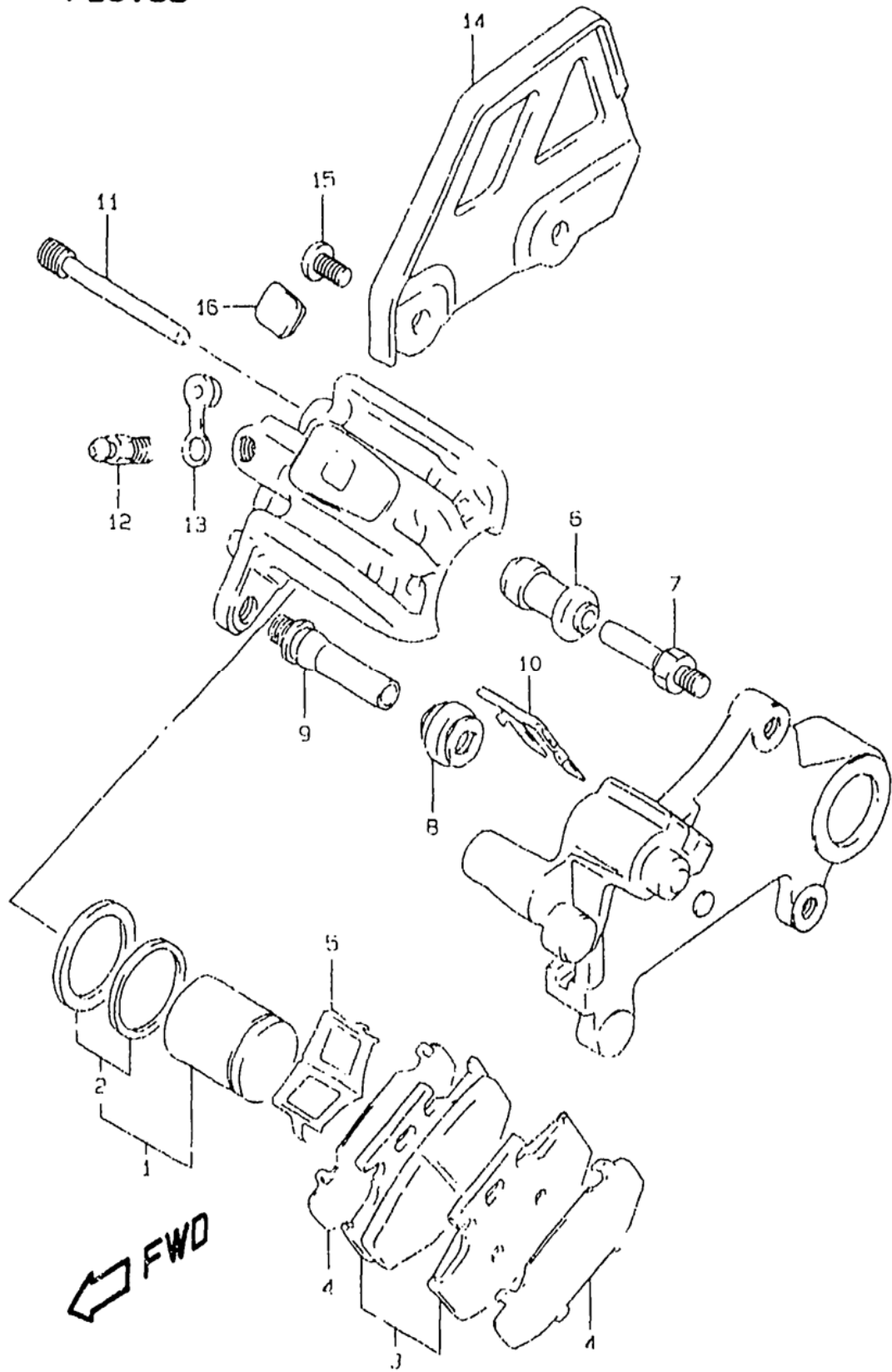
Reference Number	Quantity Required	Part Number	Description
1	1	62602-14850	LEVER SET, REAR CUSHION
2	1	09263-20074	.BEARING, 20X27X32
3	2	09263-20071	.BEARING, CENTER (20X27X23.5)
4	1	62175-00B00	.BEARING, REAR (10X24X14.5)
5	2	62657-34A01	.RING, STOPPER
6	1	62317-05D00	SPACER
7	2	62162-28E00	SEAL, FRONT DUST
8	1	62650-14D00	BOLT, FRONT
9	1	08351-2100A	NIPPLE,GREASE
10	1	08319-3112A	NUT
11	1	62626-14D00	SPACER, CENTER
12	2	08211-14321	THRUST WASHER
13	2	62683-27C00	SEAL, DUST
14	1	62620-14D00	BOLT, ROD
15	1	08351-2100A	NIPPLE,GREASE
16	1	08319-3114A	NUT, REAR CUSHION ROD
17	2	09285-17001	SEAL, RR CUSHION ROD
18	2	62684-27C10	SPACER, REAR
19	2	62640-14D00	ROD, REAR CUSHION
20	1	62646-14D00	SPACER, ROD
21	1	62622-14D10	BOLT
22	2	08211-14323	WASHER, FRONT
23	1	08319-3114A	NUT, REAR CUSHION ROD



**Table 52. REAR WHEEL**

Reference Number	Quantity Required	Part Number	Description
1	1	64111-14D10	HUB, REAR WHEEL
2	1	64731-14D00	SPACER, BEARING
3	2	08133-60047	BEARING, LH
4	1	08123-62047	BEARING, REAR HUB
5	1	09282-26001	OIL SEAL, RH (26X42X8)
6	1	09283-26019	OIL SEAL, LH (26X47X5)
7	1	69211-03D10	DISC, REAR BRAKE
8	4	09106-08155	BOLT, DISC
9	1	64741-14D00	SPACER, REAR AXLE RH
10	1	64751-14D00	SPACER, AXLE LH
11	1	61410-14D10	ADJUSTER, CHAIN RH (T:4.0)
12	1	61421-14D10	ADJUSTER, CHAIN LH (T:4.0)
13	1	64711-15D50	AXLE, REAR (L:283.5)
14	1	09160-19022	WASHER
15	1	08314-4018A	NUT
16	1	04111-4030A	PIN
17	1	64511-14E00	SPROCKET, REAR (NT:41-520)
18	6	09120-08004	BOLT (8X20)
19	6	08322-0108A	WASHER, SEAT DAMPER UPPER
20	6	08319-31087	NUT
21	1	65311-08D00	RIM, REAR WHEEL (2.15x18)
22	1	65320-03D10	SPOKE ASSY, REAR WHEEL
23	1	65110-15D50	TIRE, REAR (110/90-18) DUNLOP
24	1	65200-42AA0	TUBE ASSY, WHEEL INNER
25	1	65261-15D00	PROTECTOR, INNER TUBE
26	1	09250-08013	CAP
27	1	69200-28C00	COVER, REAR DISC

**FIG. 53**



**Table 53. REAR CALIPER**

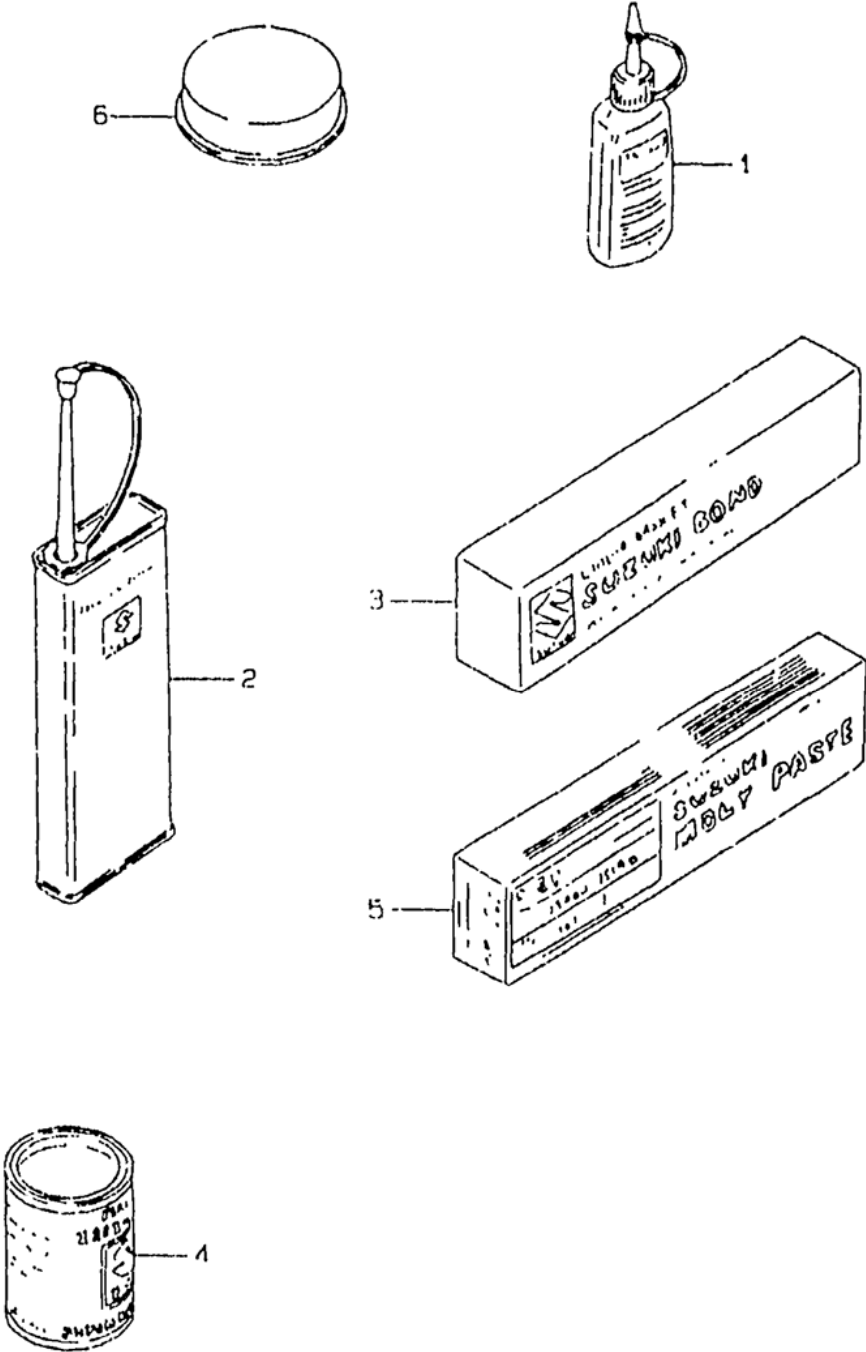
Reference Number	Quantity Required	Part Number	Description
1	1	69100-03810	.PISTON SET
2	1	69100-13810	..SEAL SET, PISTON
3	1	69100-15810	.PAD SET
4	2	69132-28C00	.SHIM
5	1	59315-27C10	.SPRING
6	1	59386-13A00	.BOOT
7	1	59382-27C30	.BOLT
8	1	59303-14500	.BOOT
9	1	59305-27C00	.PIN
10	1	69113-43D00	.RETAINER
11	2	59345-14600	.PIN
12	1	59121-01A00	.BLEEDER
13	1	59122-01A00	.CAP, BLEEDER
14	1	69725-14D00	GUARD, CALIPER
15	2	02142-0612A	SCREW
16	1	69171-14D00	COVER, CALIPER BODY



**Table 54. REAR MASTER CYLINDER**

Reference Number	Quantity Required	Part Number	Description
1	1	69600-14D01	CYLINDER ASSY, REAR MASTER
2	1	69600-04820	.PISTON / CAP SET
3	1	69691-00A00	..BOOT
4	1	69692-00B21	.YOKE
5	1	69670-00B21	.ROD, PUSH
6	2	69693-05A00	.NUT
7	1	59672-17C00	.CONNECTOR
8	1	69686-34200	.O RING
9	1	69674-00B20	.CIRCLIP
10	2	09139-06067	SCREW (6X16)
11	1	69740-03D00	TANK ASSY, RESERVOIR
12	1	69669-03D00	.CAP
13	1	69668-00B20	.PLATE
14	1	69667-00B20	.DIAPHRAGM
15	1	01550-0816A	PLUG, T/M OIL DRAIN
16	1	69743-14D10	GUARD, TANK CAP
17	1	69730-14D00	HOSE, RESERVOIR TANK
18	2	09401-12404	CLIP
19	1	69480-14D00	HOSE, REAR BRAKE
20	1	09360-10061	UNION
21	1	09360-10040	BOLT, CYLINDER HEAD HOSE UNIO
22	4	09161-10009	WASHER (10X15X1.5)
23	1	61196-00B21	CLAMP, REAR BRAKE HOSE
24	2	02142-0510B	SCREW
25	1	61196-03D00	GUIDE, HOSE REAR
26	2	02112-3516A	SCREW
27	1	09200-08048	PIN
28-1	1	09160-08074	WASHER
28-2	1	09160-08090	WASHER
29	1	04111-25158	COTTER PIN

FIG. 55





**Table 55. OPTIONAL**

Reference Number	Quantity Required	Part Number	Description
1-1	1	99000-32020	THREAD LOCK NO.1333B
1-2	1	99000-32030	THREAD LOCK SUPER (1303B)
1-3	1	99000-32050	THREAD LOCK NO.1342
1-4	1	99000-32100	THREAD LOCK SUPER (1305)
1-5	1	99000-32130	THREAD LOCK SUPER (1360)
2	1	99000-32040	THREAD LOCK NO.1401
3-1	1	99104-31140	LIQUID GASKET 1
3-2	1	99104-31140	LIQUID GASKET 1
4	1	99000-25030	SUZUKI SUPER GREASE
5	1	99000-25140	SUZUKI MOLY PASTE
6	1	99000-25110	SUZUKI PBC GREASE