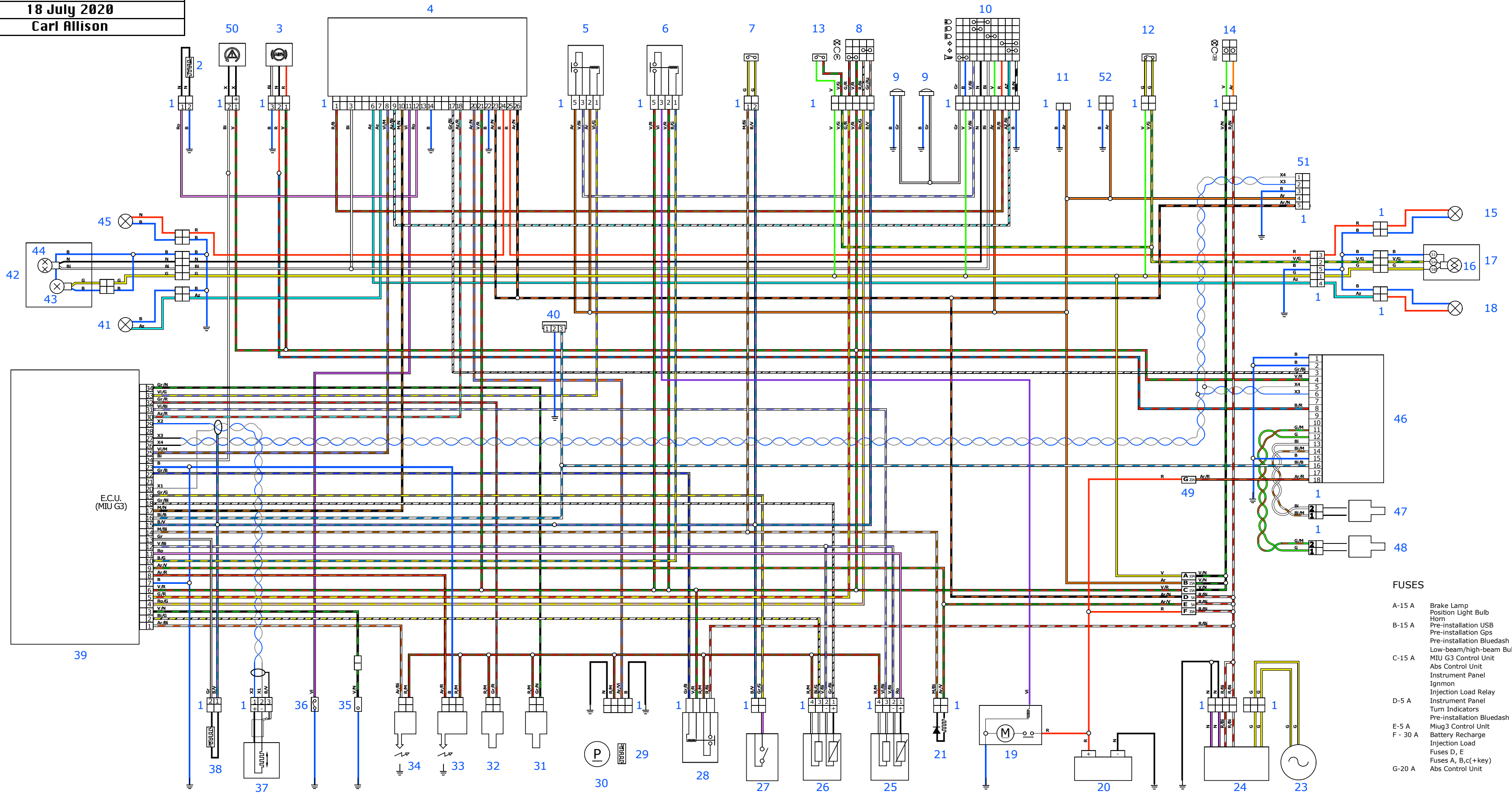


2016 U7 II Racer ABS, U7 II  
 Special ABS, U7 II Stone ABS  
 18 July 2020  
 Carl Allison



- KEY**
- 1 Multiple Connectors
  - 2 Ambient Airtemperature Sensor
  - 3 Voyant Abs
  - 4 Instrument Panel
  - 5 Light Logic Relay
  - 6 Relais De Demarrage
  - 7 Clutch Switch
  - 8 Right Light Switch
  - 9 Horn
  - 10 Left Light Switch
  - 11 Pre-installation Gps
  - 12 Rear Stop Switch
  - 13 Front Stop Switch
  - 14 Key Switch
  - 15 Rear Rightturn Indicator
  - 16 Position Light Bulb
  - 17 Rear Light Assembly
  - 18 Rear Leftturn Indicator

- 19 Starter Motor
- 20 Battery
- 21 Pull-up
- 22 Fuses
- 23 Flywheel
- 24 Voltage Regulator
- 25 Lambda Probe 1 (lh)
- 26 Lambda Probe 2 (rh)
- 27 Side Stand Switch
- 28 Injection Load Relay
- 29 Fuel Level Sensor
- 30 Fuel Pump
- 31 Left Cylinder Injector
- 32 Right Cylinder Injector
- 33 Right Cylinder Coil
- 34 Left Cylinder Coil
- 35 Neutral Sensor
- 36 Oil Pressure Sensor

- 37 Pick-up
- 38 Engine/temperature Sensor
- 39 Miug3 Control Unit
- 40 Diagnostic Plug
- 41 Front Leftturn Indicator
- 42 Headlamp
- 43 Front Daylight Running Light Bulb
- 44 Low-beam/high-beam Bulb
- 45 Front Rightturn Indicator
- 46 Abs Control Unit
- 47 Abs Front Sensor
- 48 Abs Rear Sensor
- 49 Abs Control Unit Fuse
- 50 Voyant Mgct
- 51 Pre-installation Bluedash
- 52 Pre-installation USB

- MIU G3 CONTROL UNIT PINOUT**
- 1 Cylinder Coil Command Output 1 (lh)
  - 2 Oxygen Sensor Heater Command Output 2 (rh)
  - 3 Neutral Sensor
  - 4 "engine Stop"Input
  - 5 Starter Button
  - 6 Ignition Switched Live
  - 7 Ground!
  - 8 Cylinder Coil Command Output 2 (rh)
  - 9 + Battery
  - 10 Starter Relay Command Output
  - 11 Lambda Probe 1 (lh) (+)
  - 12 Lambda Probe 1-2 (-)
  - 13 Water Temperature Sensor Input
  - 14 Clutch Switch
  - 15 Sensor Ground
  - 16 Diagnostic Plug
  - 17 Neutral Sensor Warning Light
  - 18 Lambda Probe 2 (rh) (+)

- 19 Side Stand Switch
- 20 Pick-up (-)
- 21 -
- 22 Injection Relay Command Output
- 23 Ground 2
- 24 Voyant Mgct
- 25 Injection Tell-tale Light
- 26 Can H Line
- 27 Can L Line
- 28 -
- 29 Pick-up (+)
- 30 Revolution Sensor Signal
- 31 Oxygen Sensor Heater Command Output! (lh)
- 32 Rh Cylinder Injector Command Output
- 33 Light Logic Relay Command Output
- 34 Lh Cylinder Injector Command Output

- ABS CONTROL UNIT PINOUT**
- 1 Ground
  - 2 Ground
  - 3 Vehicle Speed
  - 4 +key
  - 5 Can H Line
  - 6 Can L Line
  - 7 -
  - 8 ABS WARNING LIGHT
  - 9 -
  - 10 -
  - 11 Rear Speed Sensor Signal
  - 12 Rear Speed Sensor Ground
  - 13 Front Speed Sensor Ground
  - 14 Front Speed Sensor Signal
  - 15 Ground
  - 16 Diagnostic Plug
  - 17 -
  - 18 + Battery

- INSTRUMENT PANEL PINOUT**
- 1 Rh Turn Indicator Output
  - 2 -
  - 3 High-beam Warning Light
  - 4 -
  - 5 -
  - 6 Rear Left Arrow
  - 7 Front Left Arrow
  - 8 Injection Tell-tale Light
  - 9 Lh Turn Indicator Output
  - 10 Neutral Sensor
  - 11 Oil Pressure Sensor
  - 12 Airtemperature Sensor
  - 13 -
  - 14 Ground
  - 15 -
  - 16 -
  - 17 Vehicle Speed
  - 18 Revolution Sensor Signal

- FUSES**
- A-15 A Brake Lamp  
Position Light Bulb  
Horn
  - B-15 A Pre-installation USB  
Pre-installation Gps  
Pre-installation Bluedash  
Low-beam/high-beam Bulb
  - C-15 A MIU G3 Control Unit  
Abs Control Unit  
Instrument Panel  
Ignmon  
Injection Load Relay  
Instrument Panel  
Turn Indicators
  - D-5 A Pre-installation Bluedash  
Miug3 Control Unit
  - E-5 A Battery Recharge
  - F-30 A Injection Load  
Injection Load  
Fuses D, E  
Fuses A, B,c(+key)
  - G-20 A Abs Control Unit