

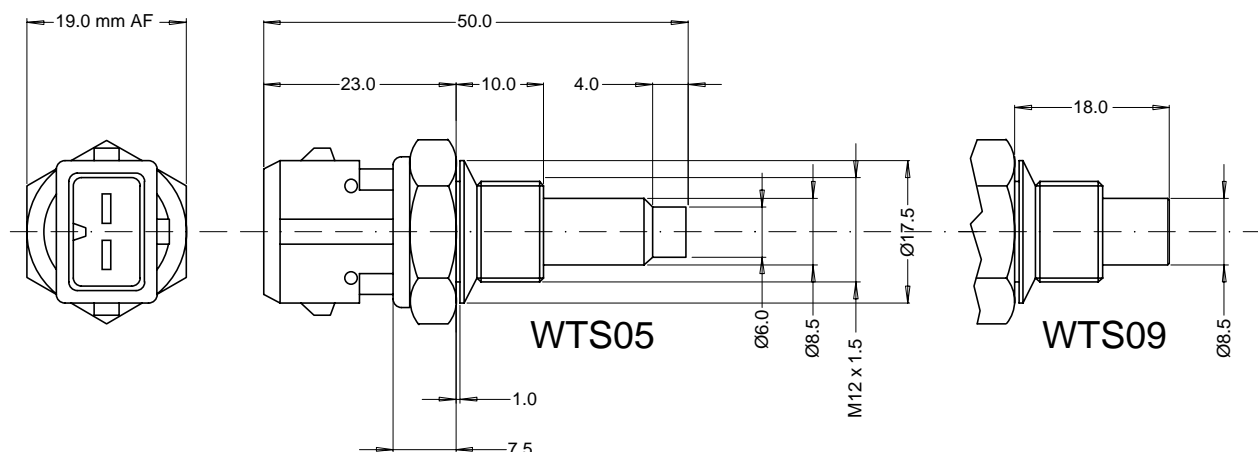
WTS05 / 09

NTC Weber Temperature Sensor



Description

The WTS05 / 09 are analogue sensors with a temperature dependant resistor providing a variable resistance across the 2 contacts. Signal is negative temperature coefficient (NTC). Active device is a thermistor fitted coated leads in a hermetically sealed brass housing.



Technical Data

Resistance @ 25 °C..... 3 kΩ
Accuracy from nominal values 5% (W/°C)
..... @ -40 > +125 °C
Maximum operating voltage 5 V (series)
Thread M12 x 1.5
Seal 19mm Hex
Weight 26 g
Connector Mini – Timer 2 way
Tightening torque..... 24 Nm max

Temperature °C	Resistance kΩ
-40	100.95
-30	53.10
-20	29.12
-10	16.60
0	9.75
10	5.97
20	3.75
25	3.00
30	2.42

Temperature °C	Resistance kΩ
40	1.60
50	1.08
60	0.75
70	0.53
80	0.38
90	0.28
100	0.20
110	0.15
125	0.10

Ordering information

Part No.	Connector	Description	Order Code
WTS09	2 way minitimer	Fluid temperature sensor - short	215810500200
WTS05	2 way minitimer	Fluid temperature sensor - extended	83800242000

MM Competition Systems Ltd Unit 3, Old Station Business Park, Compton, Berkshire, RG20 6NE England		For further details please contact	Tel: +44 (0)8707 444666 Fax: +44 (0)8707 444888 www.mmcompsys.com mail@mmcompsys.com
----------------------------------------------------------------------------------------------------------------	--	------------------------------------	-----------------------------------------------------------------------------------------------