

TAVOLA 1

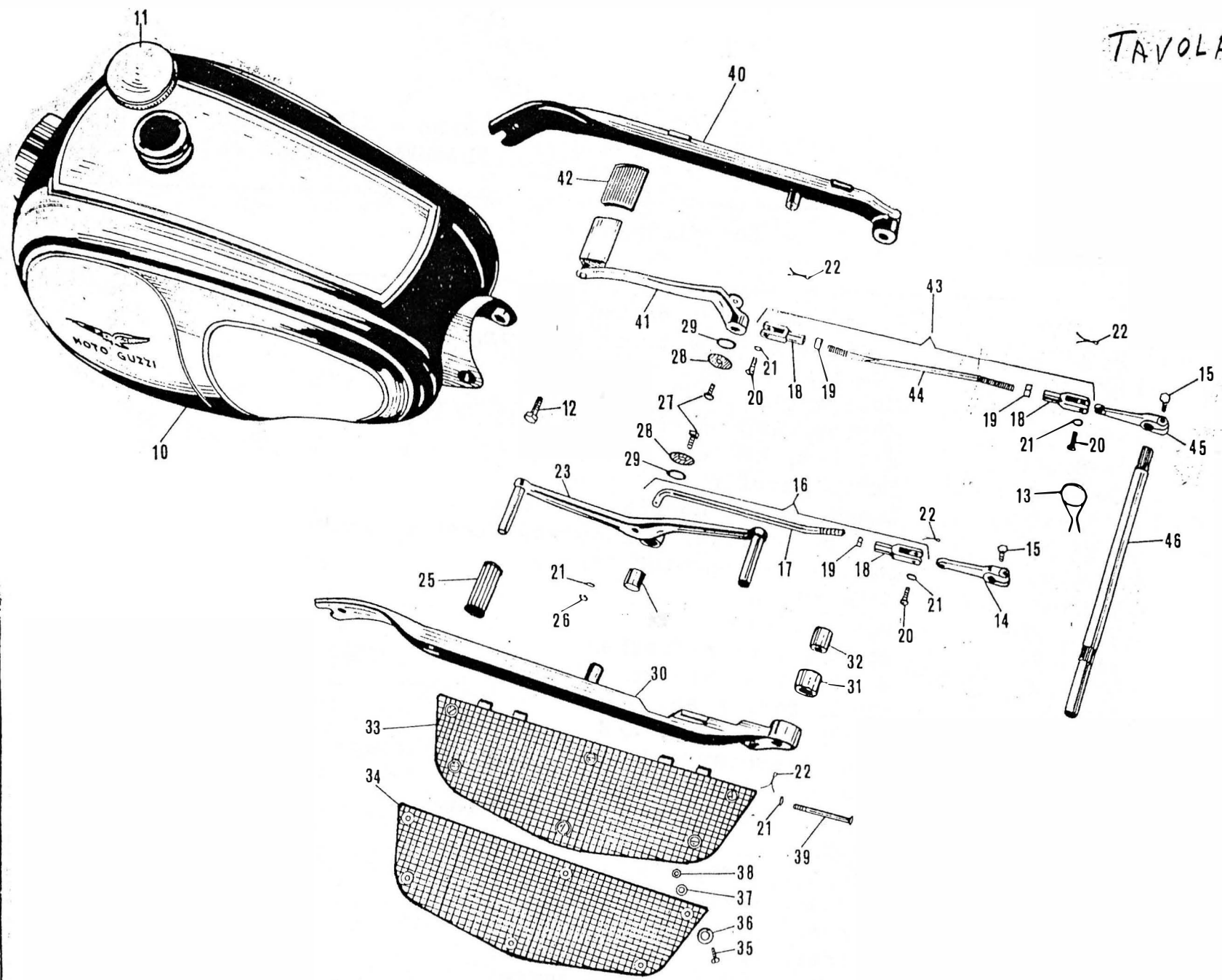
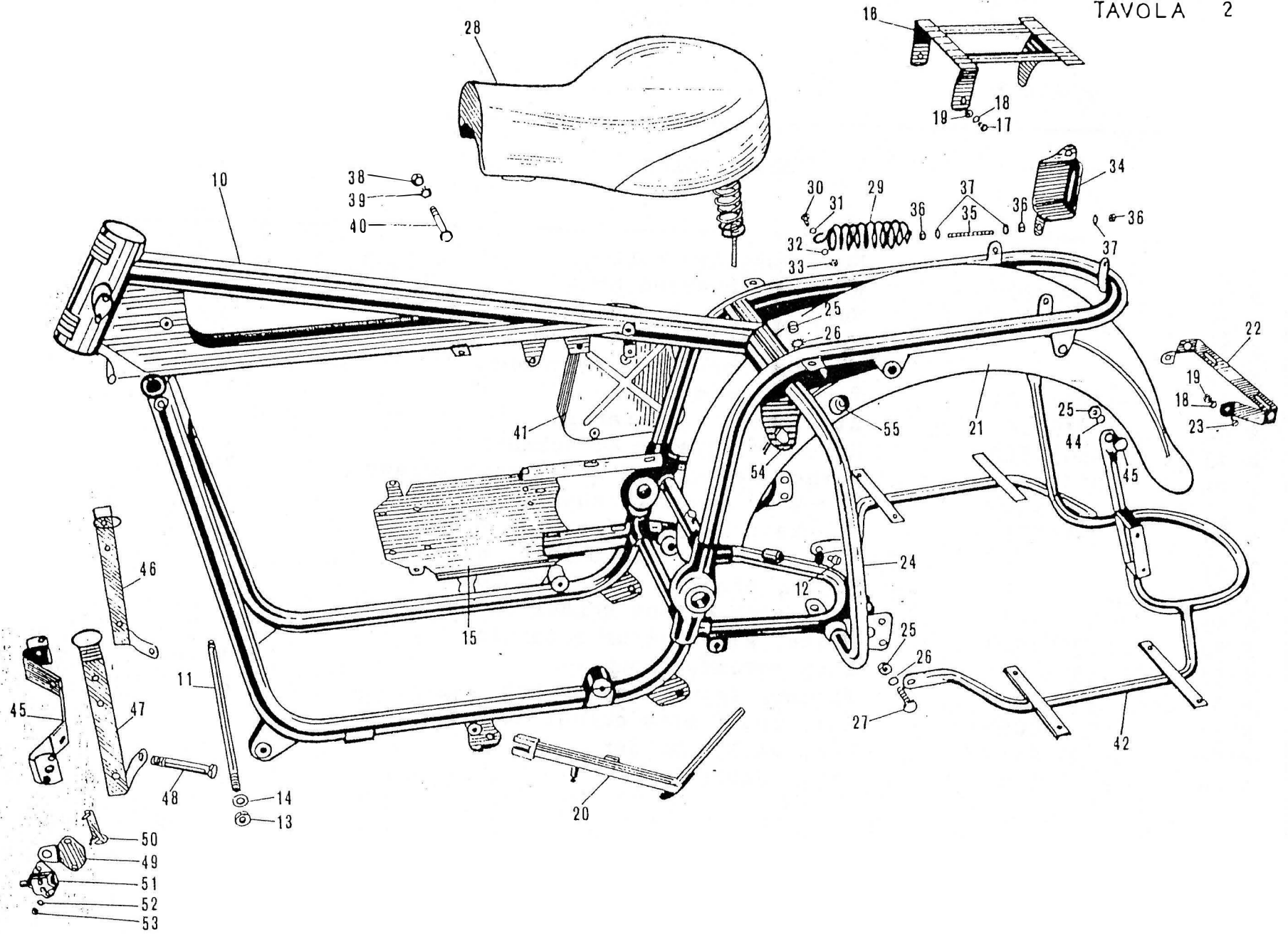


PLATE 1

| Fig.<br>n° | Order<br>n° | Description                     | Q.ty |    |
|------------|-------------|---------------------------------|------|----|
| N 36       | 43594380    | Washer, external, mat screws    | 12   |    |
| N 37       | 95000205    | Washer, flat, mat screws        | 12   |    |
| N 38       | 92602205    | Nut, mat screws                 | 12   |    |
| N 39       | 95780268    | Pin, footboards to brackets     | 4    |    |
| N 40       | 13455140    | Bracket, footboard, R/H         | 1    |    |
| N          | 13677040    | Lever, rear brake               | 1    | 41 |
| M          | 43262180    | Pedal, rubber, brake lever      | 1    | 42 |
| N          | 13675040    | Rod, rear brake lever, complete | 1    | 43 |
| 44         | 13675140    | Rod                             | 1    |    |
| 45         | 12258501    | Lever, rear brake pivot         | 1    |    |
| 46         | 136754      | Spindle, rear brake lever       | 1    |    |

M = modified

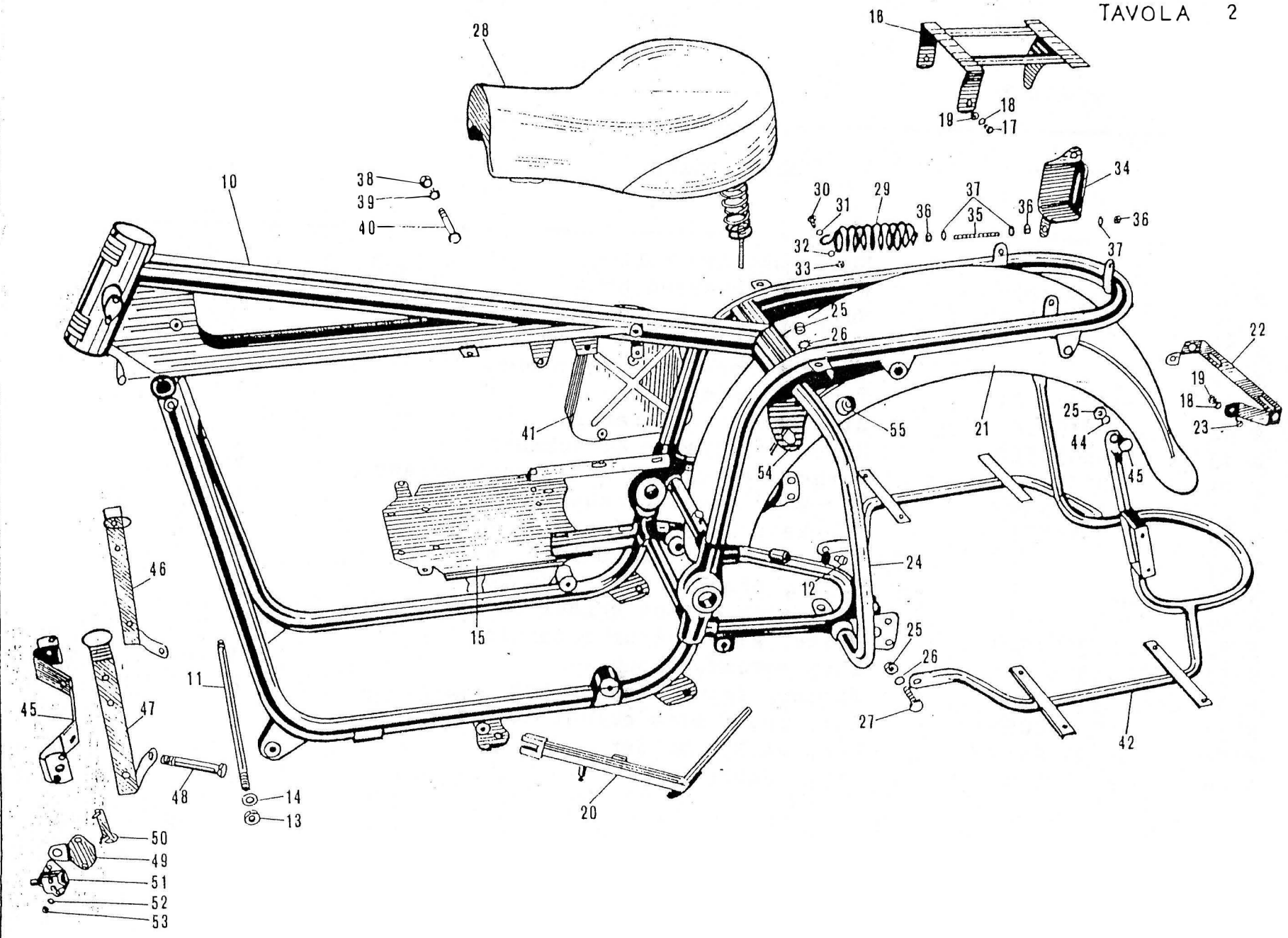
N = new



## PLATE 2

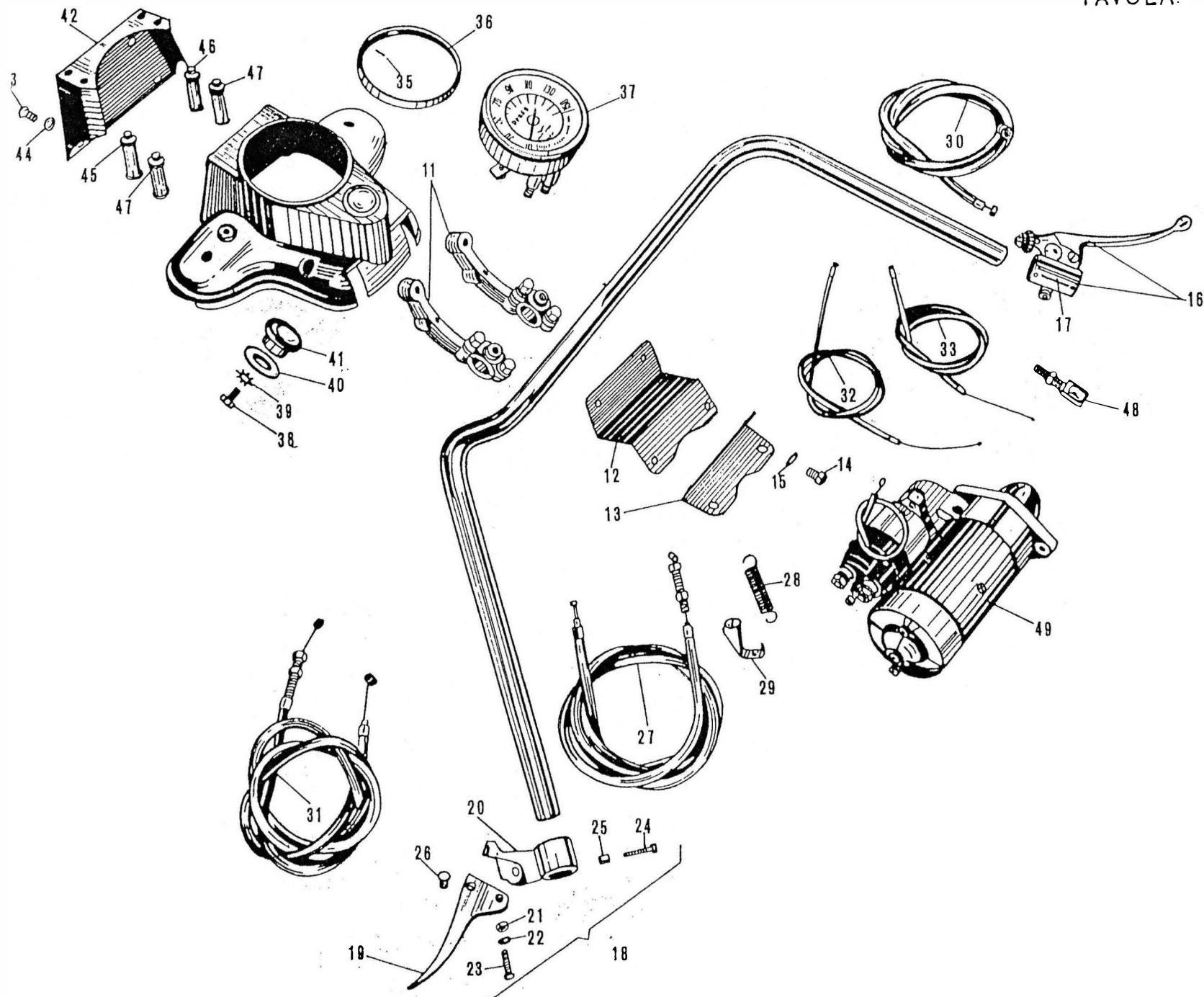
FRAME - SAFETY BARS - SADDLEBAGS - FRONT AND REAR  
FLASHER BRACKETS AND WINDSHIELD - SEAT

| Fig.<br>n° | Order<br>n° | Description | Q. ty   |   |
|------------|-------------|-------------|---|---|
| M          | 10          | 13400140    | Frame, modified and with syren bracket welded     | 1 |
| M          | 11          | 13429600    | Stud, engine to frame securing                    | 2 |
| N          | 12          | 43263325    | Cushion, syren                                    | 1 |
| M          | 13          | 92700128    | Nut, engine to frame stud                         | 4 |
| M          | 14          | 95100415    | Washer, engine securing stud                      | 4 |
| M          | 15          | 13418240    | Bracket, battery                                  | 1 |
| N          | 16          | 13469440    | Radio carrier                                     | 1 |
| N          | 17          | 95054314    | Screw, radio carrier to frame                     | 3 |
| N          | 18          | 95021106    | Washer, carrier screws and flasher bracket screws | 5 |
| N          | 19          | 92602206    | Nut, radio carrier screws                         | 5 |
| M          | 20          | 13432040    | Side stand  | 1 |
| M          | 21          | 13437040    | Fender, rear                                      | 1 |
| N          | 22          | 13436840    | Bracket, rear flashers                            | 1 |
| N          | 23          | 98024312    | Screw, rear bracket flashers                      | 2 |
| N          | 24          | 13458840    | Crash bar, rear, L/H                              | 1 |
| N          |             | 13458240    | Crash bar, rear, R/H                              | 1 |
| N          | 25          | 92602210    | Nut, crashbar and saddlebags securing             | 6 |
| N          | 26          | 95021110    | Washer, crashbar securing                         | 4 |
| N          | 27          | 98054530    | Screw, bottom crashbar securing                   | 2 |
| M          | 28          | 13460540    | Seat  | 1 |
| N          | 29          | 13461900    | Spring, seat, R/H                                 | 1 |
| N          |             | 13462100    | Spring, seat, L/H                                 | 1 |
| N          | 30          |             | Screw, spring to seat                             | 1 |
| N          | 31          |             | Washer, flat, seat screw                          | 2 |
| N          | 32          |             | Washer, spring, seat screws                       | 2 |
| N          | 33          |             | Nut, seat screws                                  | 2 |
| N          | 34          | 13462040    | CONTAINER, R/H, seat springs                      | 1 |
| N          |             | 13462045    | Container, L/H, seat spring                       | 1 |
| N          | 35          | 13463240    | Bolt, threaded, rear securing                     | 2 |



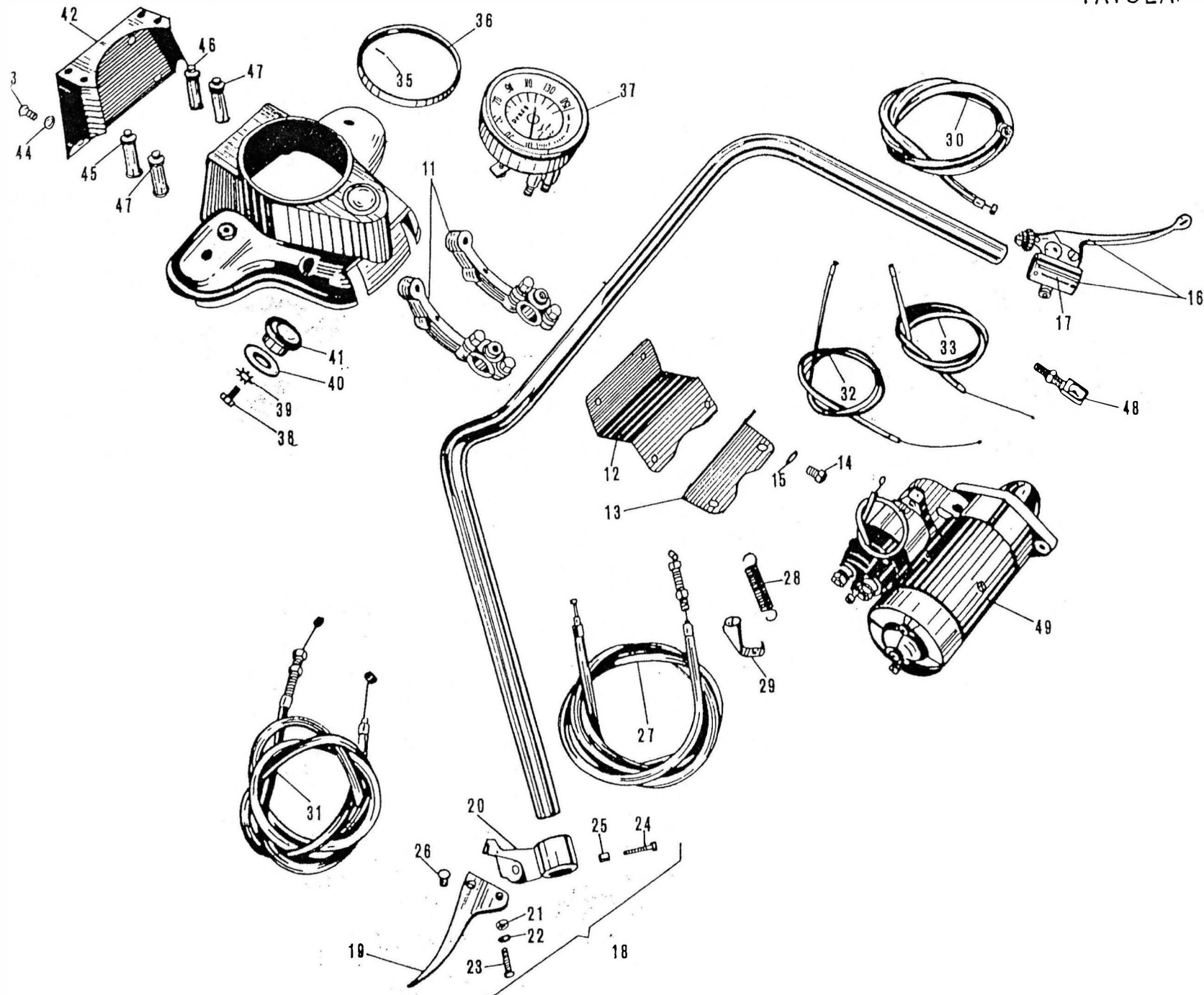
## PLATE 2

| Fig.<br>n° | Order<br>n° | Description                          | Q. ty |
|------------|-------------|--------------------------------------|-------|
| N 36       | 92602208    | Nut, threaded bolt                   | 8     |
| N 37       | 95000208    | Washer, threaded bolt                | 8     |
| N 38       | 92630108    | Nut, front seat screw                | 1     |
| N 39       |             | Washer, front seat screw             | 1     |
| N 40       |             | Screw, front seat securing           | 1     |
| M 41       | 12476001    | Tool box c/w lock                    | 1     |
| M 42       | 13485040    | Attachment, saddlebags               | 1     |
| M 43       | 98054522    | Screw, saddlebag attachment          | 2     |
| M 44       | 95100311    | Washer, saddlebag attachment screws  | 2     |
| N 45       | 13506340    | Bracket, front flashers              | 1     |
| N 46       | 13506840    | Bracket, R/H, windshield attach.     | 1     |
| N 47       | 13506940    | Bracket, L/H, windshield attach.     | 1     |
| N 48       | 98053690    | Screw, bracket to bottom yoke        | 2     |
| N 49       | 13629240    | Lug, stop cutout holder on hub cover | 1     |
| N 50       | 13629540    | Plate, stop cutout retaining         | 1     |
| N 51       | 55741100    | Stop cutout, front                   | 1     |
| N 52       | 95100055    | Washer, front stop cutout            | 2     |
| N 53       | 93700050    | Nut, front stop cutout securing      | 2     |
| N 54       | 13736440    | Lug, switch holder                   | 1     |
| N 55       | 13735840    | Cap, rubber                          | 1     |



| Fig.<br>n° | Order<br>n° | Description  | Q. ty |
|------------|-------------|--|-------|
| M 10       | 13600340    | Handlebar  | 1     |
| M 11       | 13500240    | Clamp  | 2     |
| N 12       | 13502540    | Bracket, front, microphone, bottom                           | 1     |
| N 13       | 13502440    | Bracket, microphone, top                                     | 1     |
| N 14       | 98054314    | Screw, bracket   | 2     |
| N 15       | 95100130    | Washer, bracket screws                                       | 2     |
| M 16       | 13605440    | Lever, front brake, complete                                 | 1     |
| M 17       | 12601050    | Fulcrum, lever   | 1     |
| N 18       | 13606840    | Lever, syren control, complete                               | 1     |
| N 19       | 43605440    | Lever, syren, bare   | 1     |
| N 20       | 40603700    | Fulcrum, syren lever   | 1     |
| N 21       | 45605100    | Nut, lever screw   | 1     |
| N 22       | 45605000    | Washer, lever screw  | 1     |
| N 23       | 45604900    | Screw, lever securing to fulcrum                             | 1     |
| N 24       | 45606300    | Screw, fulcrum to handlebar                                  | 1     |
| N 25       | 45605300    | Bushing on fulcrum   | 1     |
| N 26       | 45605800    | Roller, syren cable  | 1     |
| N 27       | 13606640    | Cable, syren control   | 1     |
| N 28       | 13744440    | Spring, syren return   | 1     |
| N 29       | 13744540    | Clip, syren cable fixing                                     | 1     |
| M 30       |             | Cable, front brake   | 1     |
| M 31       |             | Cable, clutch  | 1     |
| M 32       |             | Cable, throttle to 2-way adaptor                             | 1     |
| M 33       |             | Cable, easy start control from handlebar to<br>2-way adaptor | 1     |
| M 34       | 13501540    | Panel, instruments   | 1     |
| N 35       | 95510108    | Dowel, instrument panel                                      | 1     |
| N 36       | 13501740    | Spacer ring, instrument panel                                | 1     |
| M 37       | 13761640    | Speedo head  | 1     |





---

| Fig.<br>n° | Order<br>n° | Description                                    | Q. ty |
|------------|-------------|--|-------|
| N 38       | 98106009    | Bolt, instrument panel plug                    |       |
| N 39       | 95021106    | Washer, toothed, plug bolt securing            | 1     |
| N 40       | 95100142    | Washer, flat, panel plug                       | 1     |
| N 41       | 13501440    | Plug, instrument panel                         | 1     |
| N 42       | 13502740    | Panel, indicator lights                        | 1     |
| N 43       | 98240812    | Screw, indicator lights panel                  | 1     |
| N 44       | 95100225    | Washer, indicator panel screw                  | 1     |
| N 45       | 13744901    | Indicator light, green, parking                | 1     |
| N 46       | 10744900    | Indicator light, amber, neutral                | 1     |
| N 47       | 10744902    | Indicator light, generator and oil press (red) | 2     |
| N 48       | 13740740    | Block, threaded, headlight securing            | 2     |
| M 49       | 13730740    | Starter motor, Marelli MT40 HA                 | 1     |

---