



PIAGGIO & C.s.p.a.



SPARE PARTS CATALOGUE



V7 Racer 750 2011

Chassis prefix: ZGULWB00

Engine prefix:

V7

GU100



Index

Finished products.....	4
Alphanumeric index.....	5
FRAME.....	11
Table 33.01 - Frame I.....	11
Table 33.02 - Frame II.....	12
Table 33.03 - Lateral stand.....	13
Table 33.06 - Gear lever.....	14
Table 33.07 - Front fork I.....	15
Table 33.08 - Fron fork II.....	16
Table 33.11 - Rear shock absorber.....	19
Table 33.12 - Fuel tank.....	20
Table 33.13 - Front body - Front mudguard.....	23
Table 33.14 - Saddle-Central bod.....	24
Table 33.15 - Rear body I- Mudguard.....	25
Table 33.16 - Rear body II- Plate holder.....	26
Table 33.17 - Dashboard.....	27
Table 33.18 - Handlebar - Controls.....	28
Table 33.19 - Front brake system.....	30
Table 33.20 - Fuel supply.....	31
Table 33.21 - Fuel pump.....	32
Table 33.22 - Air box.....	33
Table 33.23 - Exhaust unit.....	35
Table 33.24 - Front wheel.....	37
Table 33.25 - Rear wheel.....	38
Table 33.26 - Rear master cylinder.....	39
Table 33.27 - Rear brake caliper.....	41
Table 33.28 - Front lights.....	42
Table 33.29 - Rear lights.....	44
Table 33.30 - Electrical system I.....	45
Table 33.31 - Electrical system II.....	46
Table 33.32 - Lock hardware kit.....	48
Table 33.33 - Decal and plate set.....	49
Table 33.51 - Fuel vapour recover system.....	51
ENGINE.....	52
Table 34.09 - Transmission complete I.....	52
Table 34.10 - Transmission complete II.....	53
Table 34.34 - Crank-case.....	56
Table 34.35 - Timing system cover.....	58
Table 34.36 - Cylinder head.....	59
Table 34.37 - Crankshaft cpl.....	60
Table 34.38 - Timing system.....	61
Table 34.39 - Oil pump.....	63
Table 34.40 - Clutch I.....	65



Table 34.41 - Clutch II.....	66
Table 34.42 - Transmission cage.....	67
Table 34.43 - Gear box.....	68
Table 34.44 - Gear box selector.....	70
Table 34.45 - Generator - Regulator.....	71
Table 34.46 - Starter motor.....	72
Table 34.47 - Throttle body.....	73



Finished products

Code	Validity
GU9032178AUA01	
GU9032178CAB01	
GU9032178EUA00	
GU9032178EUA01	
GU9032178GBA00	
GU9032178GBA01	
GU9032178JPA00	
GU9032178JPA01	
GU9032178USB01	



Code	No. table	Pos.	Code	No. table	Pos.	Code	No. table	Pos.
0000000	33.24	16	883796	33.17	1	887280	33.06	17
0000000	33.24	17	883797	33.17	1	887445	33.12	1
0000000	33.24	18	883798	33.31	19	887874	33.32	3
0000000	33.25	18	883802	33.18	10	887878	33.08	1
0000000	33.25	19	883852	33.21	5	887879	33.08	2
0000000	33.25	20	883870	33.23	1	887880	33.08	3
254485	33.14	16	883871	33.23	2	887881	33.08	36
290860	33.31	16	883877	34.45	1	887882	33.08	5
292022	33.28	9	883878	34.45	2	887883	33.08	6
292723	33.28	10	883911	33.33	20	887884	33.08	7
2D000006	33.32	10	883912	33.33	21	887885	33.08	8
2R000009	33.12	2	883913	33.33	22	887886	33.08	9
584332	33.28	15	883930	33.33	19	887887	33.08	10
584332	33.29	7	883940	33.18	3	887888	33.08	11
584509	33.31	24	884198	33.33	20	887889	33.08	12
599501	33.08	7	884199	33.33	21	887890	33.08	13
599502	33.08	9	884200	33.33	22	887891	33.08	14
599503	33.08	8	886141	33.33	10	887892	33.08	15
599504	33.08	6	886368	33.14	12	887893	33.08	16
639542	33.03	8	886369	33.12	3	887894	33.08	17
640201	33.31	5	886369	33.12	3	887895	33.08	18
640598	33.28	11	886370	33.12	20	887896	33.08	19
641541	34.39	8	886581	33.01	17	887899	33.08	25
672381	33.33	23	886582	33.01	18	887900	33.08	23
856062	33.51	7	886617	33.12	18	887905	33.08	28
856063	33.51	6	886625	33.12	19	887906	33.08	35
856064	33.51	11	886630	33.11	3	887916	33.08	22
856796	33.06	20	886637	33.33	13	887944	33.12	1
860138	33.51	10	886638	33.33	12	887989	33.32	1
883075	33.18	15	886639	33.33	1	898082	33.01	1
883077	33.30	1	886640	33.33	9	898083	33.02	1
883077	33.31	1	886643	33.33	8	898084	33.02	2
883161	33.31	12	886644	33.33	14	898086	33.07	7
883180	33.27	6	886645	33.01	11	898118	33.24	5
883182	33.32	1	886665	33.06	13	898120	33.25	11
883191	33.31	11	886665	33.26	1	898167	33.24	1
883192	33.27	7	886666	33.26	9	898168	33.25	1
883193	33.12	4	886668	33.06	16	898170	33.18	1
883193	33.12	4	886675	33.11	1	898171	33.18	8
883252	33.12	12	886676	34.09	11	898174	33.33	2
883252	33.12	12	886677	33.07	1	898178	33.14	1
883265	33.20	1	886678	33.33	3	898179	33.13	7
883265	33.20	1	886681	33.24	2	898180	33.13	8
883295	33.14	5	886684	33.08	17	898270	33.14	20
883296	33.27	1	886706	33.14	15	898271	33.14	21
883303	33.19	13	886709	33.33	5	898277	33.14	10
883349	33.25	8	886711	33.25	2	898278	33.14	9
883350	33.25	7	886712	33.16	9	898280	33.16	6
883417	33.28	26	886713	33.16	10	898281	33.06	7
883469	33.12	1	886714	33.28	16	898281	33.26	27
883470	33.16	12	886724	33.13	10	898282	33.06	1
883471	33.03	1	886727	33.14	19	898283	33.06	3
883476	33.32	3	88673000Y02	33.13	1	898284	33.06	9
883477	33.32	1	88673100Y02	33.13	7	898285	33.26	30
883478	33.28	5	88673200Y02	33.16	6	898286	33.26	17
883478	33.29	5	88673200Y02	33.16	6	898287	33.26	12
883479	33.29	1	886784	33.13	2	898288	33.26	4
883480	33.16	15	886820	33.14	22	898611	33.06	12
883498	33.08	23	886825	33.33	11	898612	33.26	28
883552	33.08	24	886830	34.36	9	976600	34.34	1
883581	33.19	2	886841	33.14	14	976603	34.35	1
883602	33.08	34	886842	33.08	21	976604	34.34	12
883688	33.24	10	886944	33.33	24	976605	34.42	1
883696	33.22	16	887093	34.39	9	976606	34.42	17
883697	33.22	15	887205	33.12	1	976608	34.10	1
883711	33.23	11	887206	33.33	5	976614	33.14	13
883712	33.23	10	887207	33.12	1	976685	34.34	16



Code	No. table	Pos.	Code	No. table	Pos.	Code	No. table	Pos.
976939	34.34	28	AP8121367	33.02	10	AP8152329	33.31	20
976940	34.42	21	AP8121375	33.03	2	AP8152329	33.31	8
976941	34.09	1	AP8121420	33.14	6	AP8152339	33.16	8
977088	33.03	1	AP8121420	33.32	8	AP8152385	33.19	16
977527	33.14	8	AP8121607	33.03	2	AP8201358	33.22	2
977527	33.32	4	AP8121927	33.26	3	AP8201358	33.51	23
978311	33.28	2	AP8121929	33.16	7	AP8210007	33.06	18
978323	33.19	15	AP8124528	33.31	22	AP8212588	33.30	11
978323	33.27	20	AP8124718	33.16	13	AP8213028	33.18	23
978385	33.23	12	AP8124869	33.31	28	AP8213057	33.26	15
978386	33.23	15	AP8124936	33.30	2	AP8220283	33.31	29
978387	33.23	4	AP8127346	33.31	17	AP8220460	33.07	6
978415	33.14	7	AP8133643	33.26	14	AP8220546	33.31	27
978415	33.32	9	AP8133873	33.26	22	AP8221114	33.51	16
978570	33.18	10	AP8134378	33.23	18	AP8221128	33.12	12
978662	33.28	2	AP8134448	33.16	2	AP8221172	33.01	16
978930	33.20	2	AP8134640	33.26	35	AP8221172	33.18	29
978930	33.21	1	AP8144038	33.22	31	AP8221197	33.03	5
97894600Y02	33.15	1	AP8144046	33.31	25	AP8221277	33.06	10
978947	33.15	2	AP8144071	33.23	16	AP8221297	33.23	30
978949	33.16	1	AP8144071	34.36	23	AP8224164	33.16	3
97895015	33.29	1	AP8144081	33.07	5	AP8224462	33.31	30
978970	33.26	13	AP8144146	33.07	3	AP8257609	33.33	18
978974	33.08	19	AP8144538	33.31	7	AP8257742	33.33	16
978977	33.08	29	AP8144606	33.01	15	AP8257794	33.33	17
978978	33.08	4	AP8149034	33.16	17	AP9100477	33.06	15
981070	34.40	8	AP8150026	33.06	19	AP9100477	33.26	31
981149	33.28	12	AP8150044	33.06	14	B063033	33.20	4
AP8101594	33.26	20	AP8150044	33.26	25	B063034	33.20	1
AP8101595	33.12	15	AP8150115	33.06	5	B06303600Y02	33.12	1
AP8102159	33.22	25	AP8150115	33.26	26	B06315100Y02	33.16	6
AP8102239	33.22	30	AP8150137	33.06	4	B063163	33.12	1
AP8102375	33.26	19	AP8150248	33.16	19	B063234	33.12	19
AP8102375	33.31	15	AP8150349	33.32	6	B063236	33.12	18
AP8102378	33.51	25	AP8150413	33.13	6	B063429	33.14	23
AP8102524	33.03	4	AP8150413	33.22	3	B063645	33.20	2
AP8102678	33.51	1	AP8150421	33.31	33	B063645	33.21	1
AP8102688	33.51	2	AP8150436	33.02	12	B063735	33.29	6
AP8102766	33.22	10	AP8150468	33.26	29	B063752	33.20	2
AP8102766	33.51	21	AP8152138	33.06	21	CM001928	33.07	9
AP8102913	33.14	3	AP8152166	34.44	15	CM001929	33.07	8
AP8104242	33.22	8	AP8152220	33.02	11	CM2271024	33.31	19
AP8104251	33.22	24	AP8152268	33.16	18	GU00823923140	33.03	7
AP8104525	33.22	13	AP8152273	33.16	11	GU00823923140	33.22	32
AP8110053	33.06	22	AP8152273	33.20	3	GU00823923140	33.51	22
AP8113004	33.19	14	AP8152277	33.19	3	GU00823931055	33.28	25
AP8113004	33.27	8	AP8152277	33.31	23	GU00823944050	33.12	16
AP8113288	33.26	16	AP8152278	33.15	3	GU00823950050	33.26	21
AP8113553	33.26	23	AP8152278	33.28	13	GU01103860	33.01	13
AP8118490	33.18	24	AP8152279	33.15	9	GU01106090	33.21	2
AP8120116	33.51	8	AP8152281	34.45	12	GU01108490	33.21	4
AP8120246	34.09	10	AP8152286	33.24	11	GU01528930	34.10	9
AP8120531	33.14	18	AP8152287	33.02	13	GU01609630	33.18	14
AP8120615	33.22	14	AP8152288	33.02	15	GU01654630	33.19	17
AP8120708	33.30	10	AP8152291	33.12	9	GU01659130	33.19	11
AP8120772	33.22	11	AP8152298	34.47	6	GU01659131	33.19	12
AP8120876	33.22	23	AP8152299	33.15	15	GU01665410	33.26	6
AP8120912	33.06	2	AP8152299	33.27	10	GU01717430	33.30	8
AP8120912	33.26	2	AP8152299	33.51	5	GU01718330	33.30	6
AP8120952	33.22	1	AP8152300	33.02	14	GU01721600	33.30	13
AP8120965	33.12	13	AP8152300	33.27	13	GU01744200	33.28	18
AP8120965	33.12	13	AP8152306	33.16	5	GU02107100	33.12	11
AP8120965	33.51	17	AP8152320	33.06	6	GU02107100	33.12	11
AP8121014	33.03	3	AP8152320	33.26	33	GU03013800	33.23	8
AP8121032	33.17	7	AP8152329	33.15	11	GU03013800	34.47	10
AP8121072	33.23	22	AP8152329	33.22	18	GU03067730	34.10	19
AP8121307	33.07	4	AP8152329	33.22	22	GU03101600	33.12	7



Code	No. table	Pos.	Code	No. table	Pos.	Code	No. table	Pos.
GU03101720	33.12	5	GU14217901	34.44	17	GU19353500	34.10	24
GU03101900	33.12	3	GU14609650	33.30	17	GU19355200	34.10	35
GU03101900	33.12	3	GU14609650	33.31	34	GU19355202	34.10	36
GU03102200	33.12	6	GU14609650	33.51	24	GU19355300	34.10	33
GU03102400	33.12	24	GU14615901	33.13	5	GU19355301	34.10	33
GU03103200	33.12	8	GU14615901	34.09	20	GU19355302	34.10	33
GU03103500	33.12	4	GU14615901	34.37	5	GU19355303	34.10	33
GU03163330	33.31	3	GU14616150	33.24	15	GU19355304	34.10	33
GU03270300	33.15	7	GU14616150	33.25	10	GU19355305	34.10	33
GU03270300	33.26	34	GU14717600	33.30	7	GU19355306	34.10	33
GU03270300	33.27	22	GU18144350	34.39	16	GU19355307	34.10	33
GU03468100	33.01	20	GU18161150	34.39	21	GU19355308	34.10	33
GU03530529	33.08	2	GU18257551	33.26	8	GU19355309	34.10	33
GU03530530	33.08	1	GU19001200	34.35	2	GU19355320	34.10	27
GU03530551	33.08	12	GU19002020	34.35	5	GU19355321	34.10	27
GU03604845	33.19	8	GU19002020	34.42	16	GU19355322	34.10	27
GU03605645	33.19	9	GU19003602	34.34	13	GU19355323	34.10	27
GU03609600	33.18	14	GU19003800	34.34	8	GU19355324	34.10	27
GU03631250	33.24	4	GU19007700	34.35	10	GU19355325	34.10	27
GU03631250	33.25	9	GU19007700	34.45	8	GU19355326	34.10	27
GU03658201	33.27	16	GU19015020	34.34	5	GU19355327	34.10	27
GU03658330	33.27	17	GU19016320	34.34	9	GU19355328	34.10	27
GU03658330	33.51	12	GU19017000	33.02	4	GU19355329	34.10	27
GU03658430	33.27	14	GU19018920	34.39	10	GU19355400	34.10	21
GU03660145	33.19	1	GU19021360	34.36	18	GU19355402	34.10	21
GU03661145	33.19	6	GU19021920	34.36	7	GU19355404	34.10	21
GU03664045	33.19	7	GU19023700	34.36	10	GU19355406	34.10	21
GU03740930	33.29	2	GU19025280	33.23	5	GU19355408	34.10	21
GU03744760	33.28	19	GU19025300	34.36	6	GU19355410	34.10	21
GU03749845	33.19	5	GU19025460	33.23	6	GU19355411	34.10	21
GU03922280	34.09	23	GU19027500	34.38	15	GU19355412	34.10	21
GU03995730	33.33	15	GU19030500	34.38	7	GU19355413	34.10	21
GU04000500	34.34	10	GU19032080	34.38	10	GU19356700	34.10	30
GU05107430	33.21	3	GU19032980	34.36	17	GU19356760	34.41	16
GU05112830	34.47	2	GU19032980	34.38	14	GU19356801	34.10	28
GU05659230	33.19	10	GU19034000	34.38	8	GU19357660	34.10	25
GU05730730	34.46	1	GU19037820	34.36	8	GU19547000	34.09	12
GU05781630	33.16	20	GU19045861	34.38	25	GU20036020	34.38	1
GU05900130	33.33	6	GU19055700	34.38	23	GU20036120	34.38	2
GU06740200	33.28	12	GU19058021	34.38	19	GU20085720	34.41	13
GU06740400	33.28	17	GU19058220	34.38	20	GU20147710	34.39	17
GU06751600	33.28	5	GU19061063	34.37	12	GU20147810	34.39	3
GU06751600	33.29	5	GU19062261	34.37	4	GU20148410	34.39	4
GU10054100	34.43	12	GU19065400	34.37	2	GU20148610	34.39	5
GU10214300	34.43	27	GU19067700	34.37	18	GU20208520	34.44	9
GU10214301	34.43	27	GU19083462	34.40	2	GU20352421	34.10	31
GU10214302	34.43	27	GU19146422	34.39	1	GU20355121	34.10	34
GU10214303	34.43	27	GU19149800	34.39	18	GU23200370	34.42	10
GU10214304	34.43	27	GU19152200	34.39	11	GU23204471	34.40	21
GU10214305	34.43	27	GU19201120	34.42	15	GU23204571	34.40	22
GU10528900	34.34	15	GU19202320	34.42	9	GU23211372	34.43	8
GU10528900	34.40	13	GU19203460	34.40	11	GU23217800	34.38	3
GU10528900	34.42	23	GU19206501	34.10	10	GU23328081	34.09	7
GU12003702	34.34	20	GU19207220	34.42	11	GU23442210	33.06	11
GU12022600	34.10	6	GU19212900	34.43	15	GU23442210	33.26	11
GU12022600	34.42	24	GU19213720	34.43	17	GU23548080	34.09	8
GU12087001	34.41	9	GU19213760	34.41	15	GU23548180	34.09	9
GU12154200	34.34	23	GU19214660	34.43	11	GU23943410	33.08	31
GU12154200	34.42	12	GU19215460	34.43	3	GU27001136	34.35	7
GU13021900	34.34	26	GU19234600	34.44	2	GU27004985	34.34	18
GU13021900	34.36	12	GU19237800	34.42	13	GU27020820	34.37	21
GU14086000	34.41	10	GU19327601	34.09	5	GU27022060	34.36	19
GU14086100	34.41	7	GU19328801	34.09	3	GU27037521	34.38	4
GU14090201	34.41	1	GU19350700	34.10	22	GU27060860	34.37	15
GU14090400	34.41	2	GU19351100	34.10	4	GU27061286	34.37	13
GU14217901	34.40	6	GU19351900	34.10	2	GU27061385	34.37	14
GU14217901	34.42	7	GU19352300	34.10	23	GU27061585	34.37	3



Code	No. table	Pos.	Code	No. table	Pos.	Code	No. table	Pos.
GU27061885	34.37	17	GU32001610	34.35	6	GU32235710	34.44	14
GU27062060	34.37	6	GU32022110	34.36	1	GU32236210	34.44	8
GU27065660	34.37	7	GU32022210	34.36	2	GU32238210	34.44	10
GU27066460	34.37	9	GU32032310	34.38	11	GU32251610	33.06	8
GU27066560	34.37	8	GU32051710	34.38	27	GU32350410	34.10	13
GU27152885	34.34	22	GU32053410	34.38	16	GU32351410	34.10	16
GU27153085	34.39	14	GU32054510	34.38	17	GU32354610	34.10	18
GU27210760	34.41	12	GU32060110	34.37	19	GU32418210	33.31	6
GU27530510	33.08	25	GU32060210	34.37	10	GU32418260	33.01	4
GU27633910	33.25	4	GU32060610	34.37	16	GU32431310	33.02	9
GU28157950	33.51	20	GU32060710	34.37	11	GU32432711	33.03	11
GU28252060	33.02	8	GU32064110	34.37	1	GU32433011	33.03	6
GU28576591	33.12	23	GU32067910	34.40	5	GU32439260	33.51	3
GU28576591	33.15	4	GU32080310	34.40	1	GU32461610	33.14	2
GU28576591	33.28	20	GU32084410	34.40	4	GU32506360	33.28	1
GU28576591	34.45	13	GU32103060	33.21	5	GU32517710	33.31	9
GU28742562	33.31	18	GU32103961	33.32	2	GU32525410	33.08	10
GU29108550	33.51	19	GU32112510	34.47	1	GU32526310	33.08	16
GU29217960	34.45	7	GU32112610	34.47	16	GU32526610	33.08	15
GU29711460	34.45	5	GU32112611	34.47	17	GU32530502	33.08	13
GU29711960	34.45	11	GU32113410	33.22	17	GU32530503	33.08	14
GU29729461	33.31	2	GU32113510	33.22	5	GU32530504	33.08	28
GU29732550	33.31	26	GU32114011	33.22	12	GU32530505	33.08	22
GU29759150	33.18	17	GU32114110	33.22	9	GU32530509	34.47	5
GU30027931	33.31	32	GU32114310	34.47	14	GU32530610	33.08	32
GU30103730	33.12	14	GU32114410	33.22	7	GU32530611	33.08	33
GU30103730	33.51	18	GU32115010	34.47	3	GU32555210	33.11	4
GU30109330	33.23	24	GU32115011	34.47	8	GU32555211	33.11	5
GU30525861	33.08	11	GU32115510	34.47	7	GU32602860	33.18	28
GU30526761	33.08	5	GU32115710	34.47	4	GU32603010	33.18	16
GU30576100	33.22	19	GU32116910	33.22	4	GU32603310	33.18	7
GU30577800	33.29	13	GU32117010	33.18	4	GU32605510	33.18	2
GU30601060	33.18	25	GU32117011	33.18	5	GU32611660	33.24	3
GU30602500	33.18	22	GU32120710	33.23	1	GU32615660	33.24	14
GU30714201	34.45	3	GU32120711	33.23	2	GU32632510	33.25	17
GU30716500	33.30	3	GU32121010	33.23	7	GU32633360	33.25	14
GU30729330	33.31	31	GU32121910	33.23	25	GU32633560	34.10	11
GU30970200	33.33	7	GU32121911	33.23	26	GU32634160	33.27	5
GU31003766	34.10	8	GU32123910	33.23	3	GU326358601	33.27	3
GU31003766	34.34	14	GU32128610	33.23	13	GU32636160	33.25	21
GU31003766	34.40	19	GU32129010	33.23	14	GU32718010	34.47	18
GU31003766	34.42	26	GU32137010	33.18	13	GU32724510	33.30	12
GU31016050	34.39	20	GU32159310	33.22	26	GU32727010	33.23	21
GU31037015	34.38	13	GU32159610	33.22	28	GU32735510	33.32	5
GU31038015	34.38	5	GU32202010	34.43	28	GU32735511	33.32	5
GU31045015	34.38	26	GU32206510	34.42	22	GU32738810	33.18	6
GU31112965	33.22	33	GU32208210	34.42	8	GU32747910	33.31	10
GU31121880	33.23	9	GU32210510	34.43	1	GU32750660	33.28	4
GU31150950	34.39	26	GU32211110	34.43	9	GU32750660	33.29	4
GU31159050	34.39	15	GU32211410	34.43	6	GU32750661	33.28	4
GU31327783	34.09	2	GU32211810	34.43	5	GU32750661	33.29	4
GU31438765	33.15	12	GU32212011	34.43	2	GU32753410	33.28	3
GU31439565	33.13	4	GU32213610	34.43	14	GU32753410	33.29	8
GU31513480	33.08	20	GU32213810	34.42	5	GU32753711	33.28	14
GU31544181	34.09	15	GU32214010	34.43	24	GU32753711	33.29	6
GU31547882	34.09	14	GU32214510	34.43	20	GU32753760	33.28	14
GU31613381	33.25	12	GU32214810	34.43	21	GU32753760	33.29	6
GU31614183	33.24	9	GU32215010	34.43	22	GU32768710	34.39	8
GU31615260	33.24	6	GU32215210	34.43	23	GU32768810	34.39	9
GU31616384	33.24	12	GU32231010	34.44	5	GU32781910	33.16	16
GU31634281	33.27	4	GU32231210	34.44	4	GU32782510	33.32	2
GU31634481	33.25	15	GU32233010	34.44	6	GU32909960	33.33	4
GU31654681	33.27	2	GU32234110	34.44	13	GU32999010	34.34	25
GU31659181	33.27	11	GU32234410	34.44	1	GU32999510	34.34	24
GU31659281	33.27	12	GU32234710	34.44	11	GU35214300	34.09	13
GU31712365	34.45	9	GU32234810	34.44	12	GU39094200	33.18	18
GU31717061	33.30	9	GU32234910	34.44	16	GU39238100	34.43	25

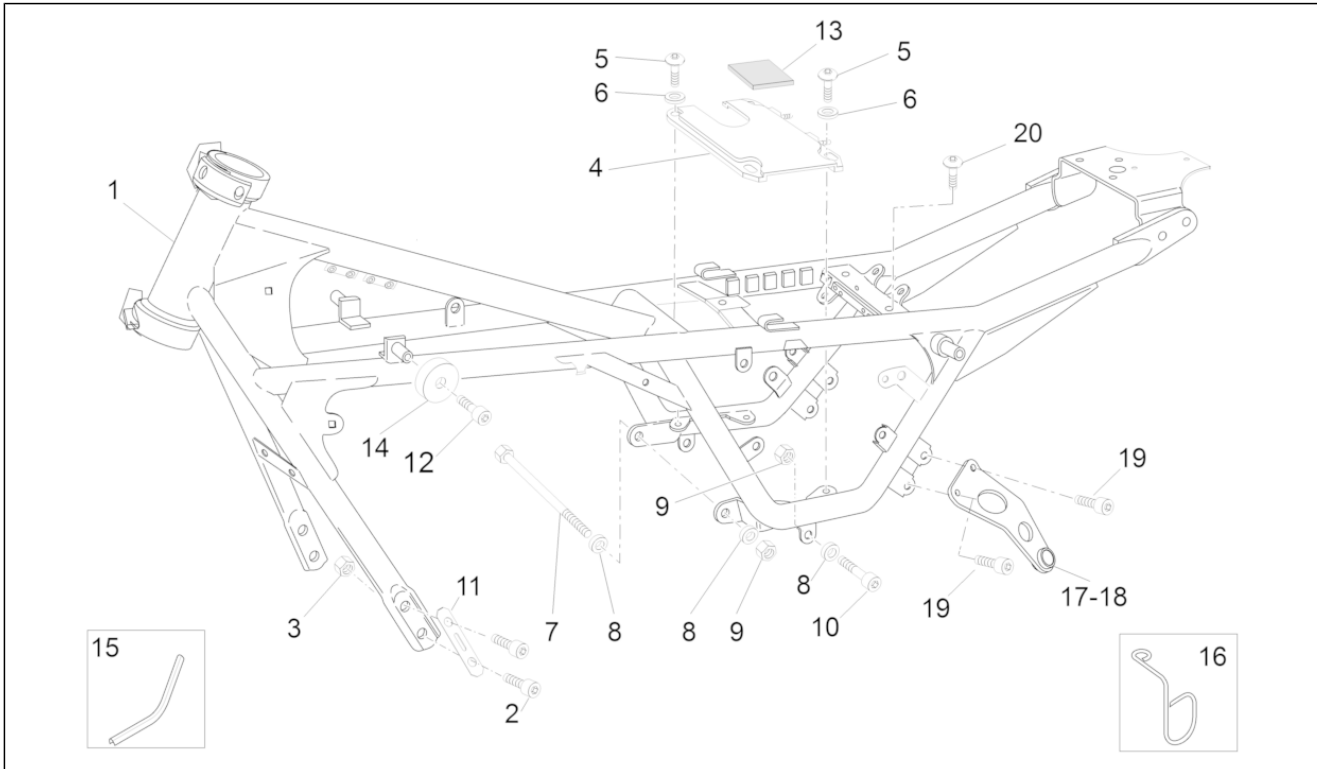


Code	No. table	Pos.	Code	No. table	Pos.	Code	No. table	Pos.
GU49609601	33.30	17	GU92249220	34.10	32	GU95008210	34.09	17
GU49609601	33.31	34	GU92249225	33.07	2	GU95008305	33.18	20
GU53429500	33.02	3	GU92249227	34.10	20	GU95008306	33.19	20
GU61027200	34.37	20	GU92251028	34.43	7	GU95008306	33.27	21
GU61036801	34.36	3	GU92252210	34.39	2	GU95020105	33.03	10
GU61038100	34.38	6	GU92252235	34.10	5	GU95021104	33.19	19
GU61054900	34.38	18	GU92296723	34.39	6	GU95021105	33.18	21
GU61108500	33.22	29	GU92602406	34.38	9	GU95021206	33.17	5
GU61270300	34.10	26	GU92602510	34.39	19	GU95021206	33.28	8
GU61270300	34.34	6	GU92603010	34.36	11	GU95021206	33.29	10
GU61270300	34.36	21	GU92606206	33.17	6	GU95100059	33.22	21
GU61270300	34.40	17	GU92606208	34.34	7	GU95100059	33.26	24
GU66103415	33.01	14	GU92606208	34.40	18	GU95100059	33.31	14
GU90271018	34.38	12	GU92606210	33.01	9	GU95100116	34.47	12
GU90271117	34.43	29	GU92606210	33.02	5	GU95100125	34.45	14
GU90271121	34.43	19	GU92606210	33.11	7	GU95100141	33.12	22
GU90271124	34.43	4	GU92606210	34.09	18	GU95100141	33.15	14
GU90272023	34.09	4	GU92606316	33.25	16	GU95100141	33.28	24
GU90272075	34.40	3	GU92606508	34.41	3	GU95100244	34.38	29
GU90274026	34.44	3	GU92606512	34.42	14	GU95100309	34.39	27
GU90353009	34.36	4	GU92606516	34.45	4	GU95100602	34.39	25
GU90353029	34.38	24	GU92630104	33.27	19	GU95100709	34.34	21
GU90353030	34.10	17	GU92630104	33.51	14	GU95129101	33.31	21
GU90400616	34.41	11	GU92630106	33.08	27	GU95129115	34.38	22
GU90402538	33.25	6	GU92630204	33.16	14	GU95129180	34.34	27
GU90402642	33.24	8	GU92630206	33.26	5	GU95129180	34.36	13
GU90402841	34.42	3	GU92630310	33.03	6	GU95129181	33.11	6
GU90402842	34.35	9	GU92630510	33.01	3	GU95187006	34.39	13
GU90403246	34.40	20	GU92640508	33.23	19	GU95401215	33.26	10
GU90403251	34.10	38	GU92787006	33.28	6	GU95500222	34.41	6
GU90403549	34.10	3	GU92787006	33.29	11	GU95780271	34.41	5
GU90407591	34.10	15	GU92787008	33.15	8	GU95963062	33.51	9
GU90706009	33.51	27	GU92787008	34.09	19	GU95990023	33.51	26
GU90706076	34.34	29	GU93110060	33.15	13	GU96451316	33.27	15
GU90706111	34.39	22	GU93180105	34.09	21	GU96451430	34.34	3
GU90706140	34.42	4	GU93180111	33.24	13	GU96451560	34.34	2
GU90706141	33.30	16	GU93180220	34.40	9	GU96506042	34.36	5
GU90706170	34.41	8	GU93180245	34.36	22	GU96508055	34.10	12
GU90706188	34.10	29	GU93222023	33.17	4	GU96508055	34.34	4
GU90706188	34.43	18	GU93231605	33.29	14	GU96508145	34.36	20
GU90706203	34.10	7	GU93301175	33.23	20	GU96510181	34.36	15
GU90706203	34.42	25	GU93301313	33.51	15	GU96510214	34.36	14
GU90706235	34.41	14	GU93305057	34.47	13	GU97202325	33.18	26
GU90706281	34.34	19	GU93305061	33.22	6	GU97202435	33.27	9
GU90706444	34.34	17	GU93305061	34.47	15	GU97270212	34.47	19
GU90706584	34.10	37	GU93450127	33.28	15	GU973221100027	34.47	20
GU90714082	33.22	27	GU93450127	33.29	7	GU98054422	34.38	28
GU91113826	33.23	29	GU93450224	33.29	3	GU98082435	34.46	2
GU91120806	33.15	6	GU94321074	33.18	12	GU98082565	33.02	7
GU91180601	33.15	10	GU94321079	34.39	24	GU98084314	34.39	12
GU91181003	33.18	11	GU94321099	34.09	6	GU98084314	34.40	12
GU91181003	33.19	18	GU94321105	34.41	4	GU98084316	34.40	7
GU91551010	33.22	20	GU95004210	33.31	4	GU98110007	33.23	23
GU91551086	33.14	11	GU95005306	33.17	3	GU98110199	33.01	7
GU91551131	33.12	11	GU95005306	33.23	28	GU98230510	33.16	4
GU91600450	34.45	10	GU95005308	33.28	23	GU98230510	33.18	19
GU92201070	34.10	14	GU95005308	34.09	22	GU98252420	33.06	23
GU92201120	34.42	20	GU95005311	33.51	4	GU98252420	33.26	32
GU92201220	34.43	16	GU95005312	33.12	10	GU98257410	33.27	18
GU92201225	34.40	10	GU95005330	33.08	26	GU98257410	33.51	13
GU92204215	34.42	2	GU95008204	33.30	5	GU98310609	34.47	11
GU92204217	33.25	5	GU95008205	33.30	15	GU98350215	33.29	12
GU92204218	33.25	3	GU95008206	34.39	23	GU98350312	34.44	7
GU92204221	33.24	7	GU95008208	33.01	6	GU98350416	33.01	5
GU92218417	34.43	10	GU95008208	34.46	3	GU98350440	33.13	3
GU92230320	34.43	13	GU95008210	33.01	8	GU98370412	33.19	4
GU92234716	34.43	26	GU95008210	33.02	6	GU98370515	33.14	17



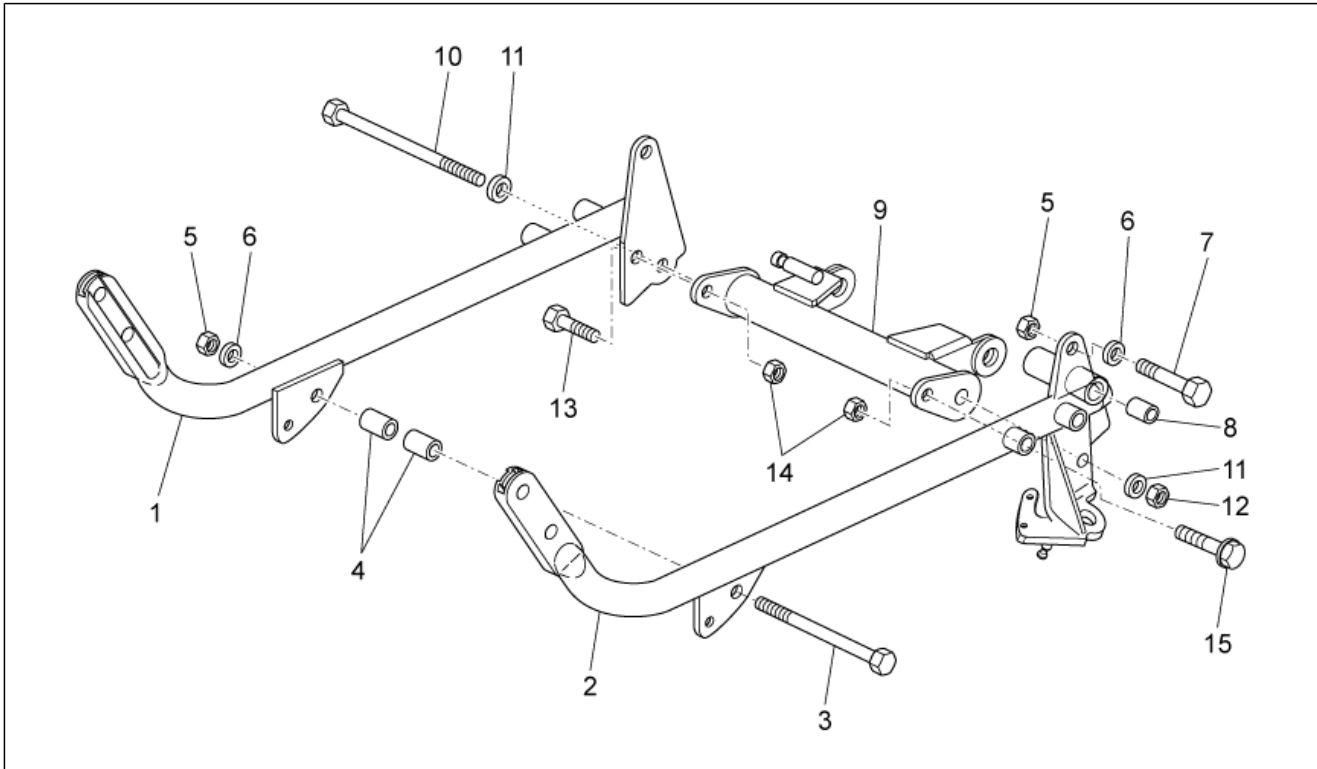
Code	No. table	Pos.
GU98370520	33.12	8
GU98370520	33.12	8
GU98370609	33.17	2
GU98370609	33.23	27
GU98370616	33.12	21
GU98370616	33.13	9
GU98370625	33.14	4
GU98370625	33.26	7
GU98370655	33.28	7
GU98370655	33.29	9
GU98370831	33.15	5
GU98370831	33.28	22
GU98612216	33.03	9
GU98620335	34.39	7
GU98620540	33.08	18
GU98680265	34.45	6
GU98680330	33.08	3
GU98680330	34.35	4
GU98680335	34.35	8
GU98680335	34.42	27
GU98680350	33.08	30
GU98680435	34.40	15
GU98680435	34.42	19
GU98680440	33.23	17
GU98680450	34.40	16
GU98680545	34.09	16
GU98680555	33.01	10
GU98682125	33.30	4
GU98682212	33.30	14
GU98682212	33.31	13
GU98682215	33.26	18
GU98682314	34.42	6
GU98682322	34.47	9
GU98682325	34.34	11
GU98682325	34.35	3
GU98682330	34.40	14
GU98682330	34.42	18
GU98682414	33.01	12
GU98682416	33.32	7
GU98682425	33.25	13
GU98682530	33.01	2
GU98690335	33.18	27
GU98692210	33.12	17
GU98692210	33.12	17
GU98692318	33.11	2
GU98692325	33.18	9
GU98692325	34.36	16
GU98692420	33.01	19
GU98880540	33.28	21
GU98882316	34.38	21

Group	FRAME
Code	33.01
Description	Frame I
Service	1



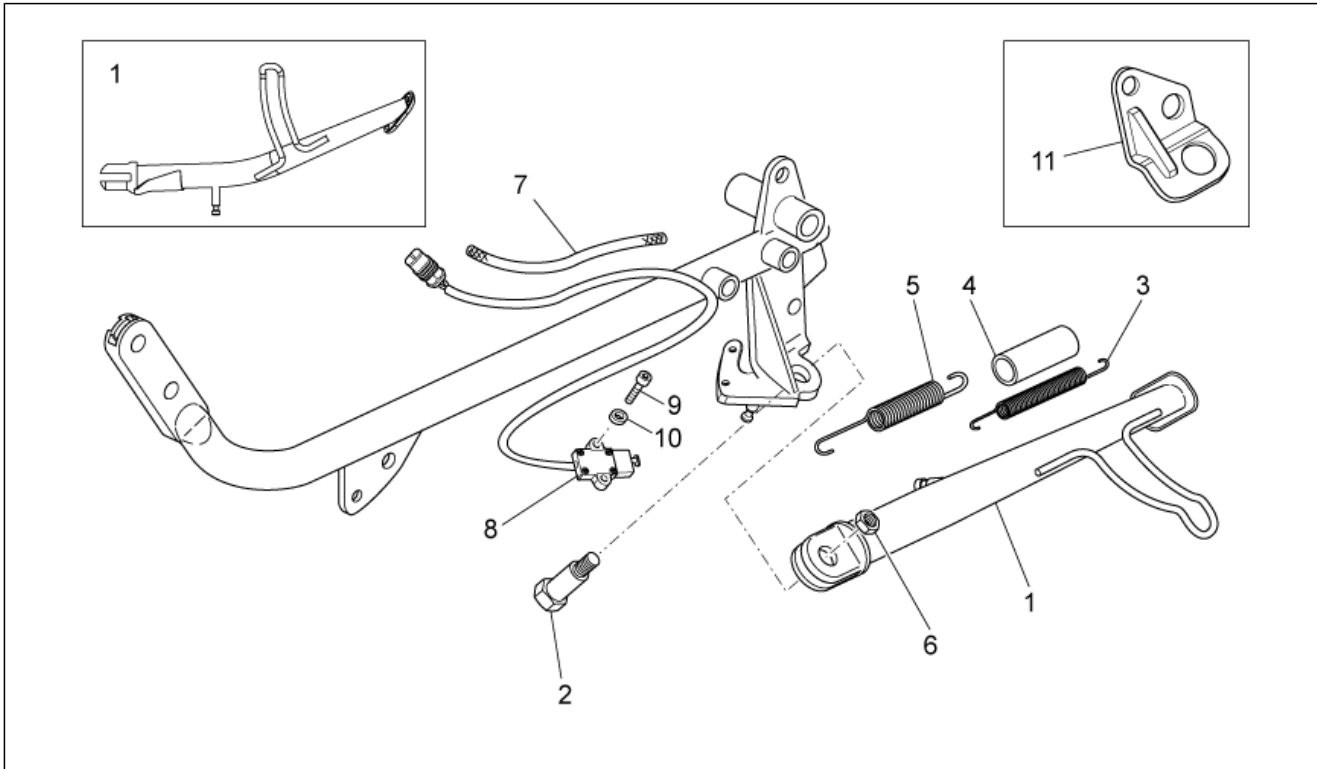
Pos.	Code	Description	Qty	Variants
1	898082	Frame p.	1	
2	GU98682530	Hex socket screw M10x30	4	
3	GU92630510	Nut M10x1,5	4	
4	GU32418260	Plate	1	
5	GU98350416	Hex socket screw M8x16	4	
6	GU95008208	Washer 8,4X15X1,5	4	
7	GU98110199	Pin M10x205	1	
8	GU95008210	Washer 10,2X18X2	11	
9	GU92606210	Nut M10x1,5	2	
10	GU98680555	screw M10x55	2	
11	886645	Plate	2	
12	GU98682414	Hex socket screw	2	
13	GU01103860	Vibration-damping rubber	1	
14	GU66103415	Rubber spacer	2	
15	AP8144606	Gasket 10X5	1	
16	AP8221172	Cable-guide	1	
17	886581	RH plate	1	
18	886582	LH plate	1	
19	GU98692420	Hex socket screw M8x20	4	
20	GU03468100	screw	1	

Group	FRAME
Code	33.02
Description	Frame II
Service	1



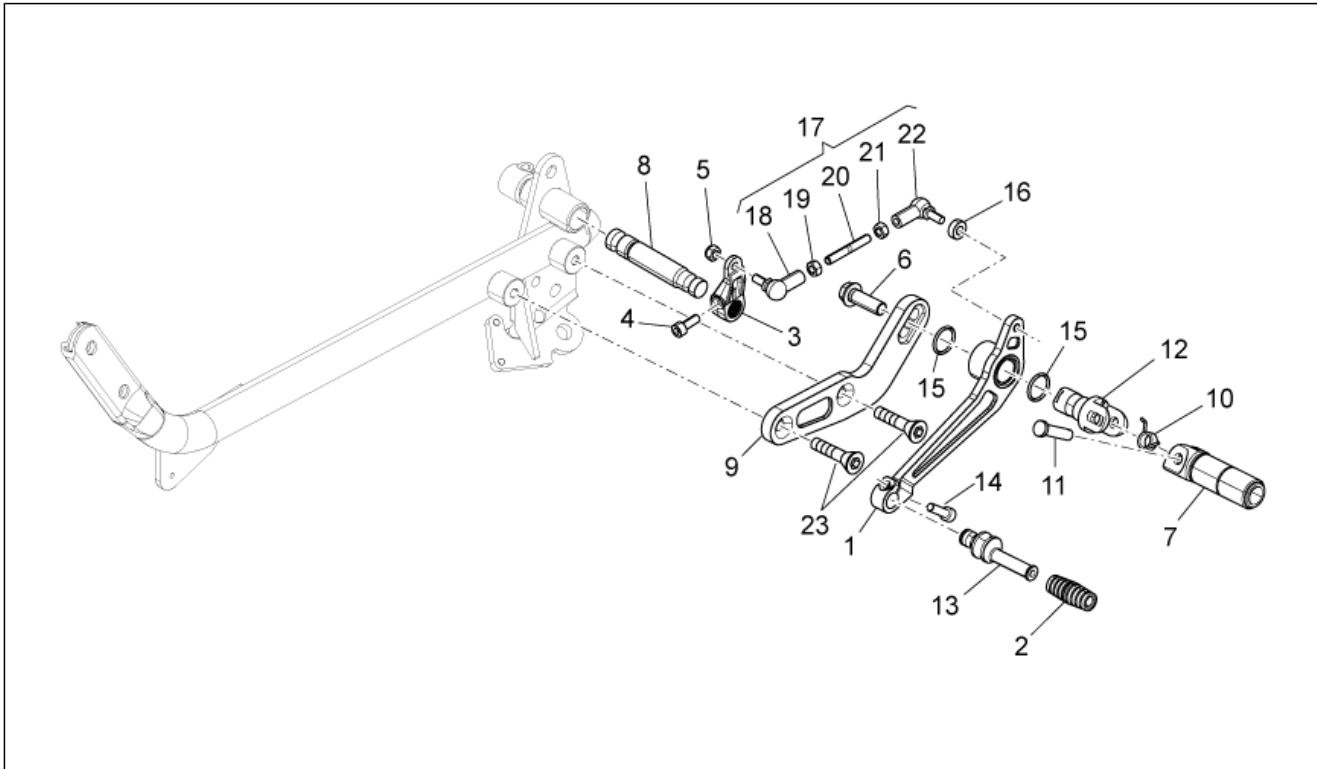
Pos.	Code	Description	Qty	Variants
1	898083	RH cradle arm	1	
2	898084	LH cradle arm	1	
3	GU53429500	Pin M10x250	1	
4	GU19017000	Bushing	2	
5	GU92606210	Nut M10x1,5	3	
6	GU95008210	Washer 10,2X18X2	3	
7	GU98082565	screw M10x65	2	
8	GU28252060	Bush 18 mm est.	2	
9	GU32431310	Cradle arms conn.crosspiece	1	
10	AP8121367	Pin M10x260	1	
11	AP8152220	Washer	2	
12	AP8150436	Low self-locking nut	1	
13	AP8152287	Screw w/ flange M8x25	1	
14	AP8152300	Self-locking nut M8	1	
15	AP8152288	Screw w/ flange	1	

Group	FRAME
Code	33.03
Description	Lateral stand
Service	1



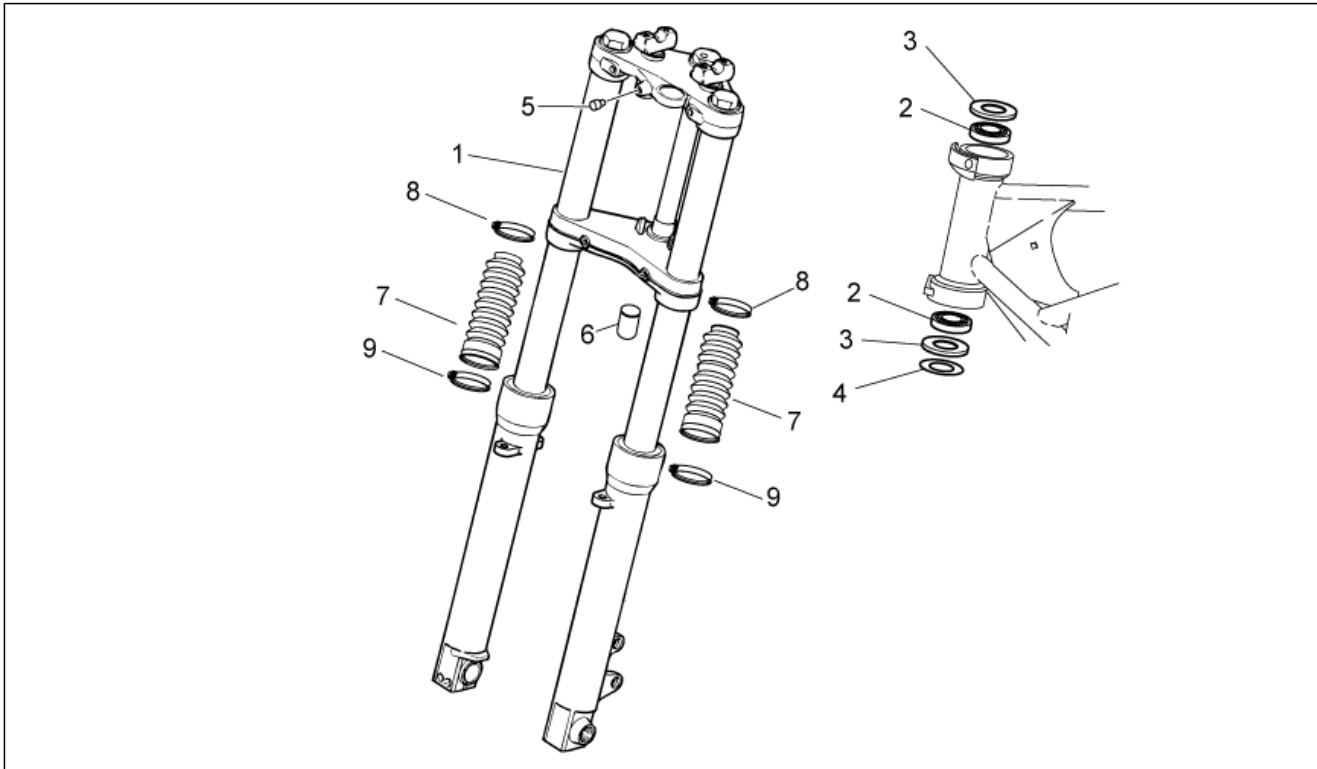
Pos.	Code	Description	Qty	Variants
1	883471	Side arm black	1	Country:Canadian[CA], USA[USA]
1	977088	Side arm black	1	Country:Australia[AA], europe[EU], Japan[J], Great Britain[UK]
2	AP8121375	Central stand fixing screw	1	Country:Australia[AA], europe[EU], Japan[J], Great Britain[UK]
2	AP8121607	Central stand fixing screw	1	Country:Canadian[CA], USA[USA]
3	AP8121014	Coil pull spring *	1	
4	AP8102524	Stand spring protection	1	
5	AP8221197	Lateral stand spring	1	
6	GU32433011	Nut	1	Country:Canadian[CA], USA[USA]
6	GU92630310	Nut	1	Country:Australia[AA], europe[EU], Japan[J], Great Britain[UK]
7	GU00823923140	Thermal sheath	1	
8	639542	Button for the side stand	1	
9	GU98612216	Hex socket screw	2	
10	GU95020105	Washer 5,3x8,9x2,4	2	
11	GU32432711	plate	1	Country:Canadian[CA], USA[USA]

Group	FRAME
Code	33.06
Description	Gear lever
Service	1



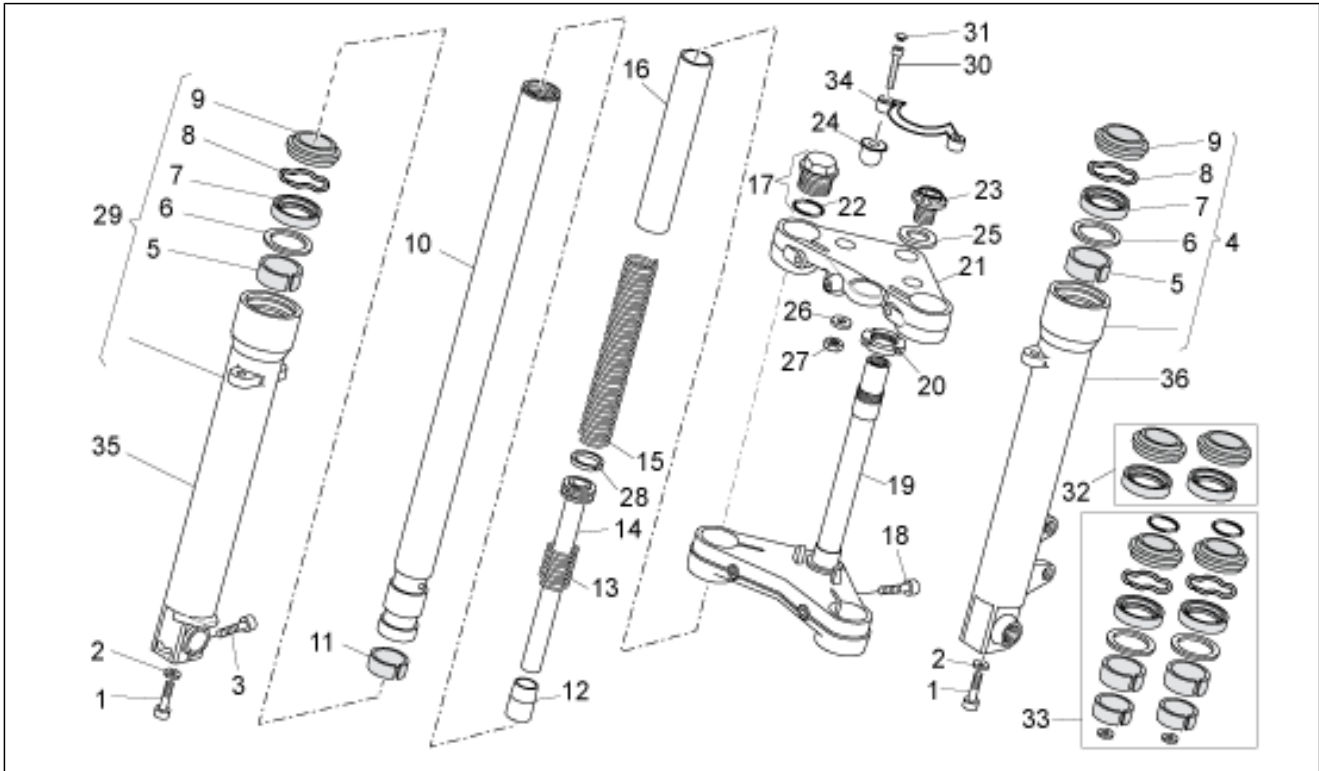
Pos.	Code	Description	Qty	Variants
1	898282	Gear lever	1	
2	AP8120912	Lever rubber	1	
3	898283	Shift lever	1	
4	AP8150137	Hex socket screw	1	
5	AP8150115	Low self-locking nut M6	1	
6	AP8152320	Screw w/ flange	1	
7	898281	RH Foot rests	1	
8	GU32251610	Lever pin	1	
9	898284	Rider footrest plate	1	
10	AP8221277	Footrest return spring	1	
11	GU23442210	Pin	1	
12	898611	LH front footrest bracket	1	
13	886665	Pin	1	
14	AP8150044	Hex socket screw M6x20	1	
15	AP9100477	O-ring 18x2	2	
16	886668	Spacer	1	
17	887280	Gear control tie rod	1	
18	AP8210007	RH ball joint M6	1	
19	AP8150026	Nut M6	1	
20	856796	Gearbox linkage rod	1	
21	AP8152138	Nut	1	
22	AP8110053	Left ball joint M6	1	
23	GU98252420	Screw M8x20	2	

Group	FRAME
Code	33.07
Description	Front fork I
Service	1



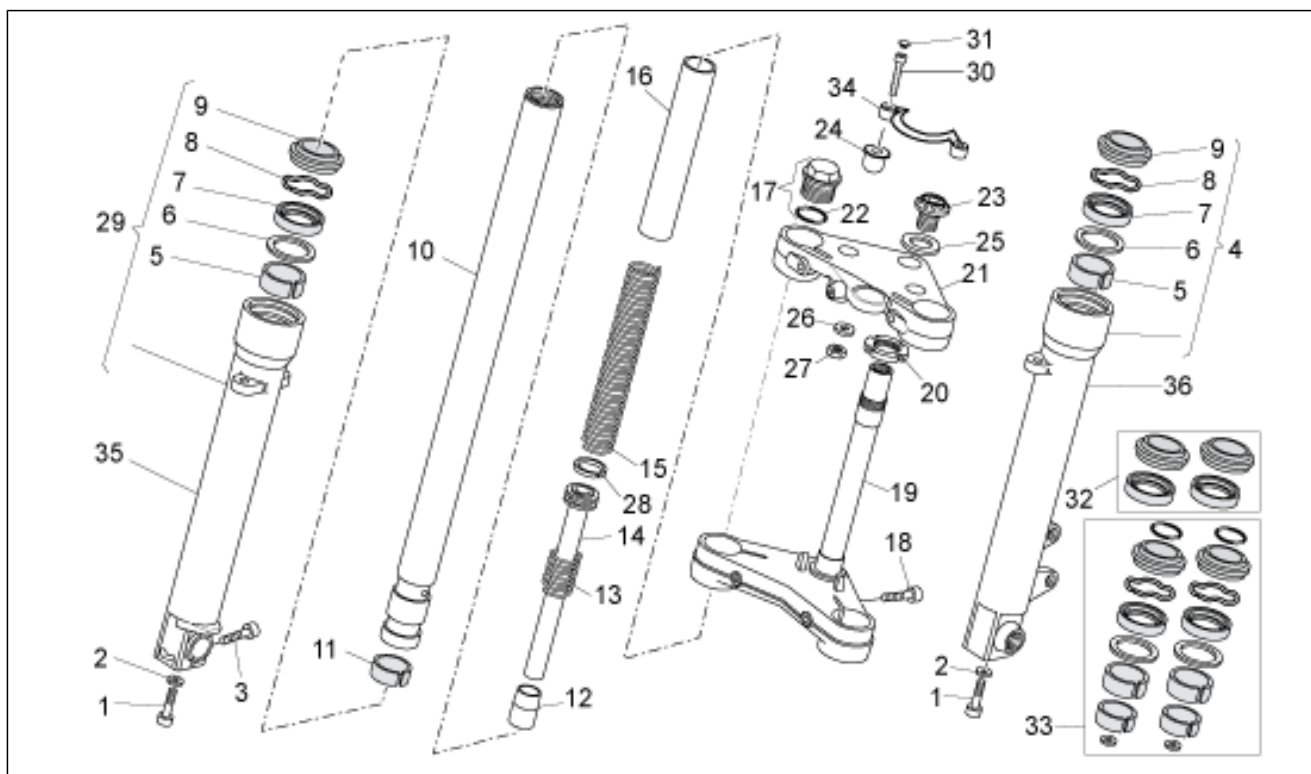
Pos.	Code	Description	Qty	Variants
1	886677	Front fork	1	
2	GU92249225	Tap.roller bearing	2	
3	AP8144146	Gasket ring	1	
4	AP8121307	Washer	1	
5	AP8144081	Rubber spacer	1	
6	AP8220460	Rubber cup	1	
7	898086	Anti-dust tube	7	
8	CM001929	Hose clamp 36.5	2	
9	CM001928	Hose clamp 44	2	

Group	FRAME
Code	33.08
Description	Fron fork II
Service	1



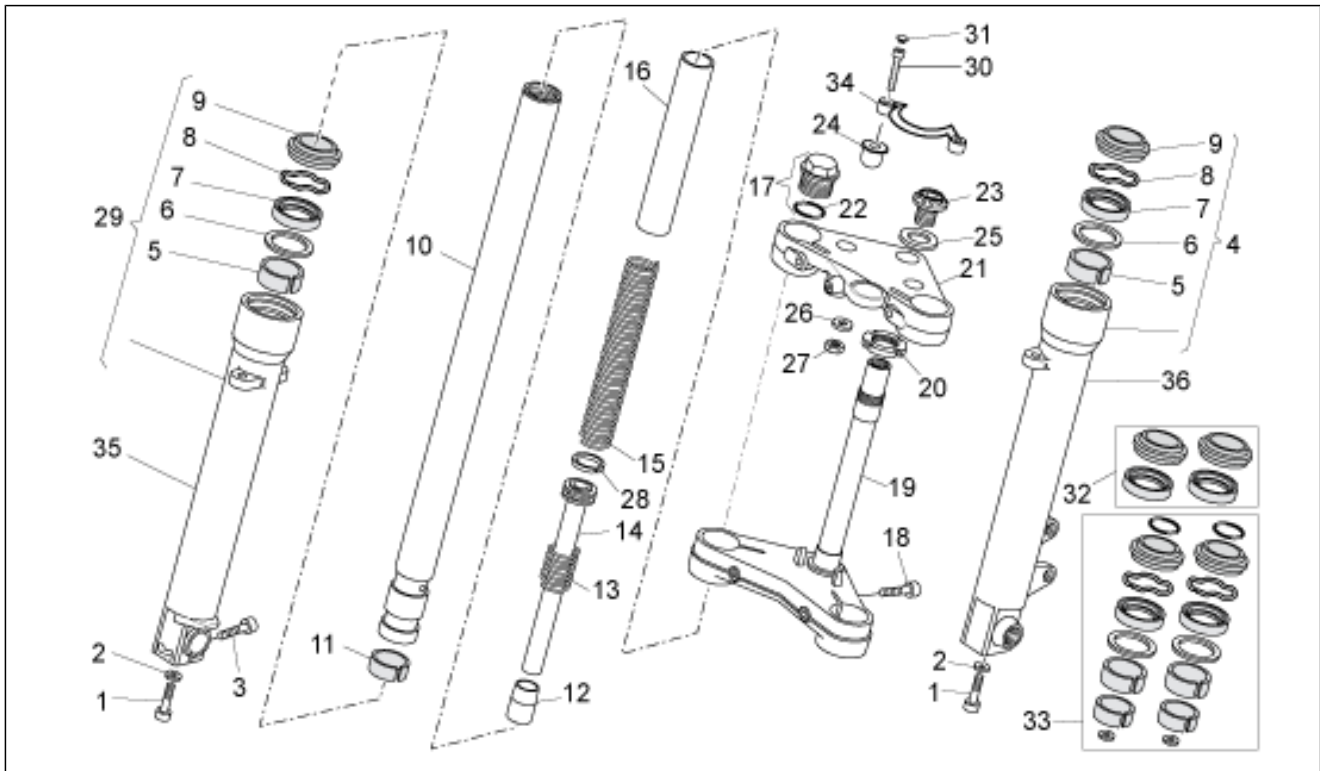
Pos.	Code	Description	Qty	Variants
1	887878	screw M10x30	2	Technical specification:Kaifa[K]
1	GU03530530	screw M10x30	2	Technical specification:Marzocchi[M]
2	887879	Washer	2	Technical specification:Kaifa[K]
2	GU03530529	Washer	2	Technical specification:Marzocchi[M]
3	887880	screw	2	Technical specification:Kaifa[K]
3	GU98680330	Hex socket screw M6x30	2	Technical specification:Marzocchi[M]
4	978978	LH sleeve cpl. Black	1	Technical specification:Marzocchi[M]
5	887882	Upper bush	2	Technical specification:Kaifa[K]
5	GU30526761	Upper bush	2	Technical specification:Marzocchi[M]
6	599504	Cup (Marzocchi)	2	Technical specification:Marzocchi[M]
6	887883	Washer	2	Technical specification:Kaifa[K]
7	599501	Gasket ring (Marzocchi)	2	Technical specification:Marzocchi[M]
7	887884	Gasket ring	2	Technical specification:Kaifa[K]
8	599503	Stop ring (Marzocchi)	2	Technical specification:Marzocchi[M]
8	887885	Stop ring	2	Technical specification:Kaifa[K]
9	599502	Dust cover + spring (Marzocchi)	2	Technical specification:Marzocchi[M]
9	887886	Dust cover	2	Technical specification:Kaifa[K]
10	887887	Sleeve	2	Technical specification:Kaifa[K]
10	GU32525410	Sleeve	2	Technical specification:Marzocchi[M]
11	887888	Bush	2	Technical specification:Kaifa[K]
11	GU30525861	Lower bush	2	Technical specification:Marzocchi[M]
12	887889	Pad	2	Technical specification:Kaifa[K]
12	GU03530551	Pad	2	Technical specification:Marzocchi[M]
13	887890	Return spring	2	Technical specification:Kaifa[K]
13	GU32530502	Return spring	2	Technical specification:Marzocchi[M]
14	887891	Plunger, complete	2	Technical specification:Kaifa[K]
14	GU32530503	Plunger, complete	2	Technical specification:Marzocchi[M]
15	887892	Spring	2	Technical specification:Kaifa[K]

Group	FRAME
Code	33.08
Description	Fron fork II
Service	1



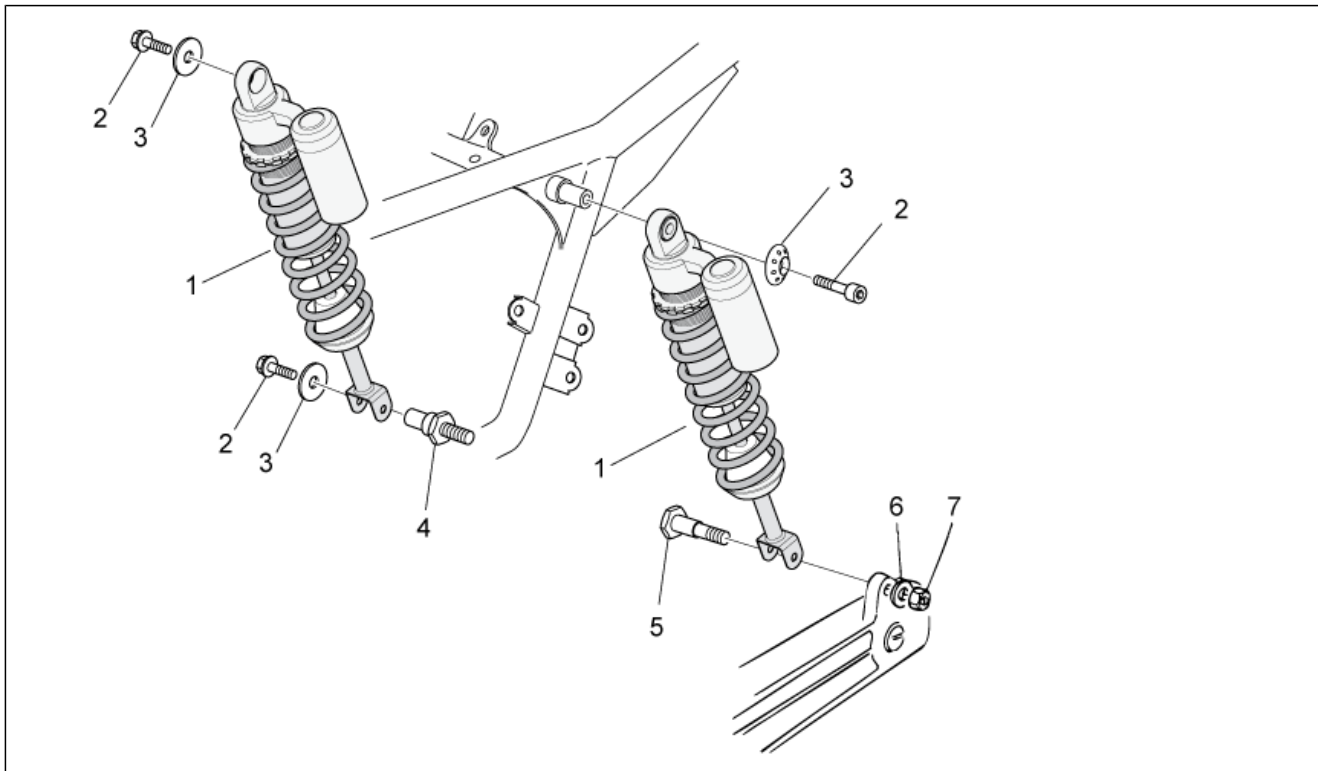
Pos.	Code	Description	Qty	Variants
15	GU32526610	Spring	2	Technical specification:Marzocchi[M]
16	887893	pipe	2	Technical specification:Kaifa[K]
16	GU32526310	pipe	2	Technical specification:Marzocchi[M]
17	886684	Plug cpl.	2	Technical specification:Marzocchi[M]
17	887894	Plug cpl.	2	Technical specification:Kaifa[K]
18	887895	screw	2	Technical specification:Kaifa[K]
18	GU98620540	screw	2	Technical specification:Marzocchi[M]
19	887896	Stem base	1	Technical specification:Kaifa[K]
19	978974	Stem base Black	1	Technical specification:Marzocchi[M]
20	GU31513480	Ring nut M25X1	1	
21	886842	Fork upper plate	1	
22	887916	O-ring 4118	2	Technical specification:Kaifa[K]
22	GU32530505	O-ring 4118	2	Technical specification:Marzocchi[M]
23	883498	Upper plate fixing bush	1	Technical specification:Marzocchi[M]
23	887900	Nut	1	Technical specification:Kaifa[K]
24	883552	Bush	2	
25	887899	Washer	1	Technical specification:Kaifa[K]
25	GU27530510	Washer	2	Technical specification:Marzocchi[M]
26	GU95005330	Washer 6,4x30x1,5	2	
27	GU92630106	Nut M6x1	2	
28	887905	Ring	2	Technical specification:Kaifa[K]
28	GU32530504	Ring	2	Technical specification:Marzocchi[M]
29	978977	RH sleeve cpl.	1	Technical specification:Marzocchi[M]
30	GU98680350	Hex socket screw M6x50	2	
31	GU23943410	Plug	8	
32	GU32530610	Gaskets set	1	Technical specification:Marzocchi[M]
33	GU32530611	Engine oil seal kit	1	Technical specification:Marzocchi[M]
34	883602	Pipe	1	

Group	FRAME
Code	33.08
Description	Fron fork II
Service	1



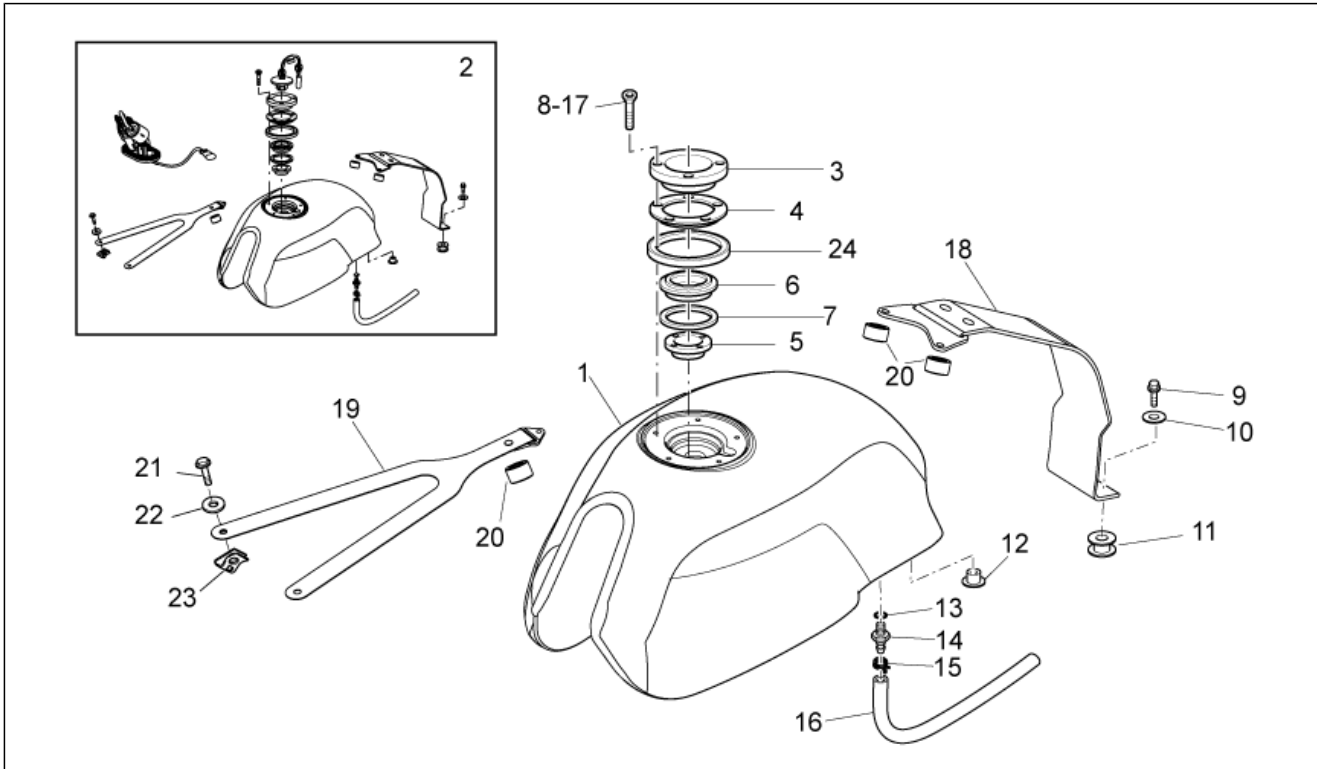
Pos.	Code	Description	Qty	Variants
35	887906	RH sleeve	1	Technical specification:Kaifa[K]
36	887881	LH sleeve	1	Technical specification:Kaifa[K]

Group	FRAME
Code	33.11
Description	Rear shock absorber
Service	1



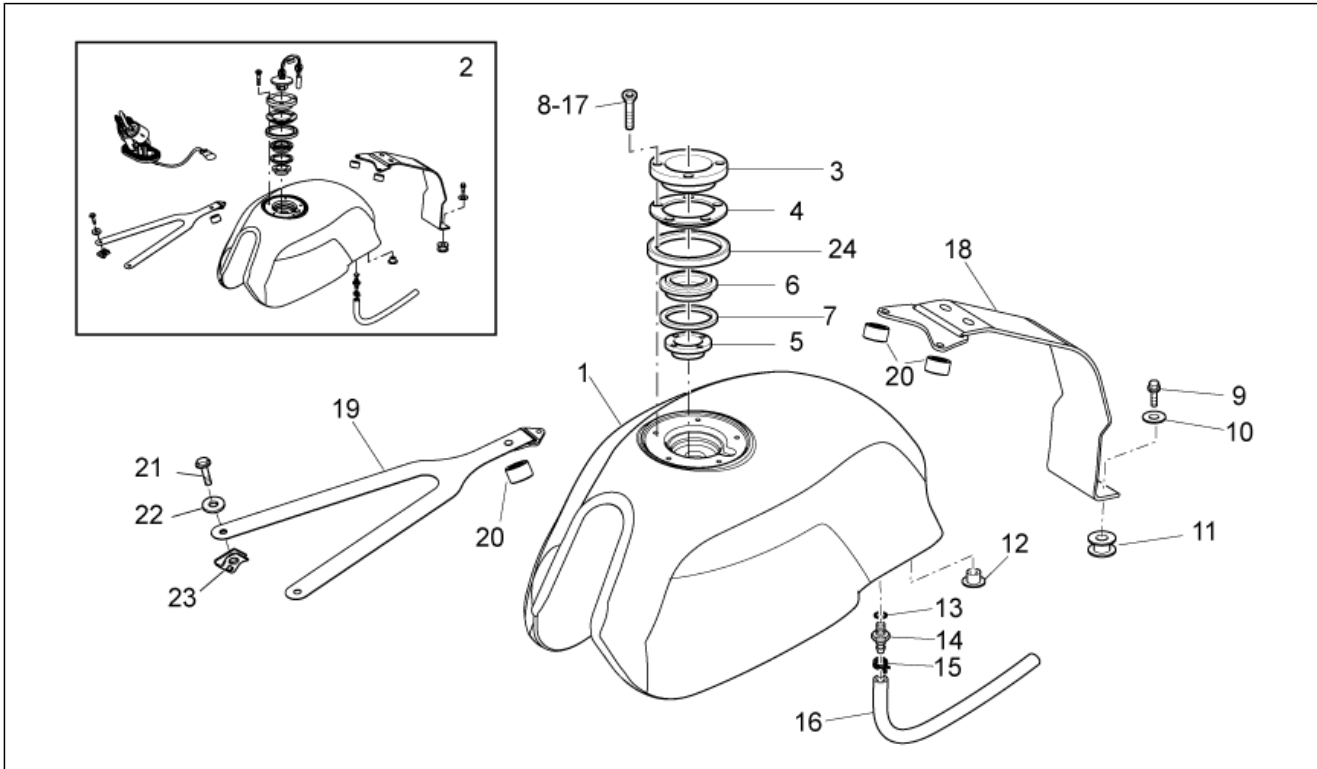
Pos.	Code	Description	Qty	Variants
1	886675	Rear shock absorber	2	
2	GU98692318	Hex socket screw	3	
3	886630	***Bush	3	
4	GU32555210	Pin	1	
5	GU32555211	Pin	1	
6	GU95129181	Washer	1	
7	GU92606210	Nut M10x1,5	1	

Group	FRAME
Code	33.12
Description	Fuel tank
Service	1



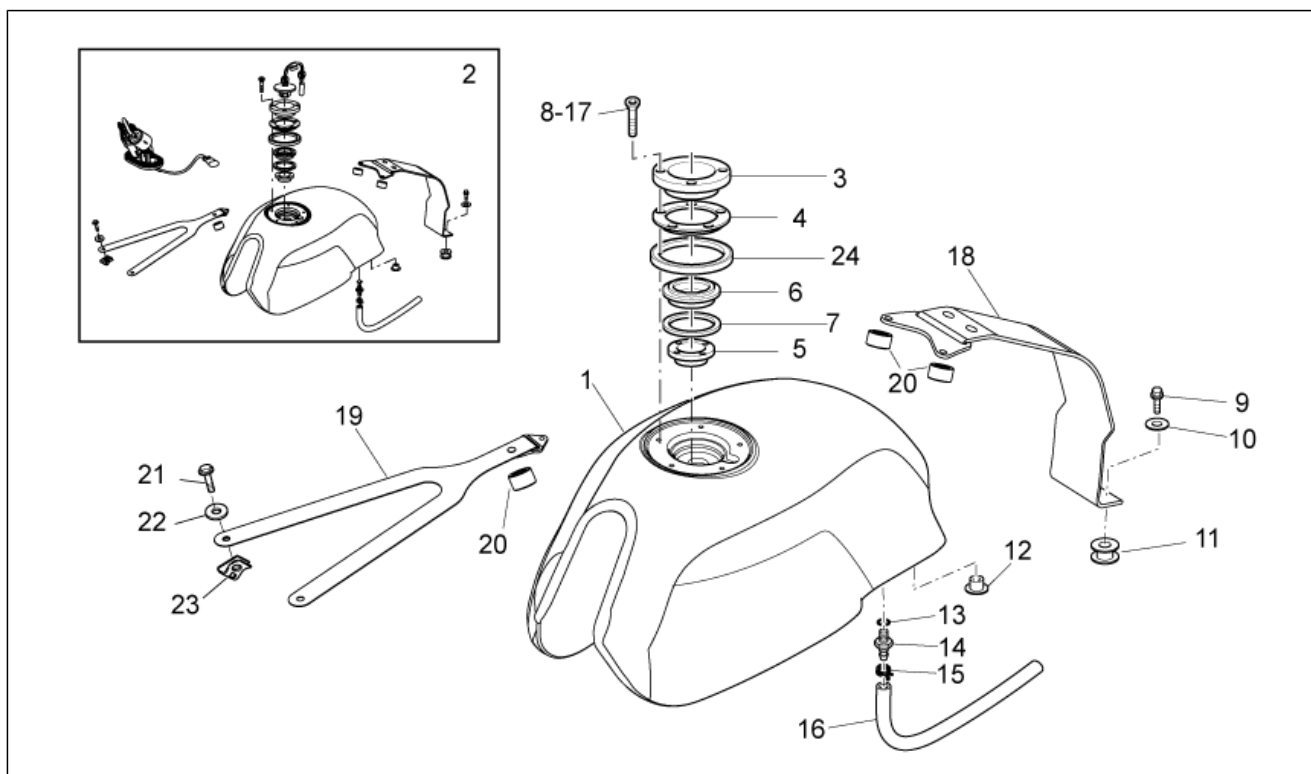
Pos.	Code	Description	Qty	Variants
1	883469	Fuel tank blank	1	Year:2010[A], 2011[b] Country:Canadian[CA], USA[USA]
1	887205	Fuel tank, black	1	Year:2010[A], 2011[b] Country:Canadian[CA], USA[USA] Technical specification:Decal[D]
1	887207	Serbatoio benz. grezzo	1	Country:Australia[AA], europe[EU], Japan[J], Great Britain[UK] Technical specification:Serbatoio in ferro[FE]
1	887445	Fuel tank, black	1	Vehicle colour:BLACK[Black] Country:Japan[J]
1	887944	Fuel tank blank	1	Year:2012[c] Country:Canadian[CA], USA[USA]
1	B06303600Y02	Fuel tank, black	1	Year:2012[c] Vehicle colour:BLACK[Black] Country:Canadian[CA], USA[USA]
1	B063163	Tank Chrome	1	Year:2010[A], 2011[b] Vehicle colour:Chromed[CR] Country:Australia[AA], europe[EU], Japan[J], Great Britain[UK] Technical specification:Decal[D], Serbatoio in ferro[FE]
2	2R000009	Kit serbatoio benz.metallo	1	
3	886369	Fuel tank flange	1	Year:2010[A], 2011[b] Country:Canadian[CA], USA[USA]
3	886369	Fuel tank flange	1	Year:2010[A], 2011[b] Country:Australia[AA], europe[EU], Japan[J], Great Britain[UK]
3	GU03101900	Flange	1	Year:2012[c] Country:Canadian[CA], USA[USA]
3	GU03101900	Flange	1	Year:2012[c] Country:Australia[AA], europe[EU], Japan[J], Great Britain[UK]
4	883193	Gasket	1	Year:2010[A], 2011[b]

Group	FRAME
Code	33.12
Description	Fuel tank
Service	1



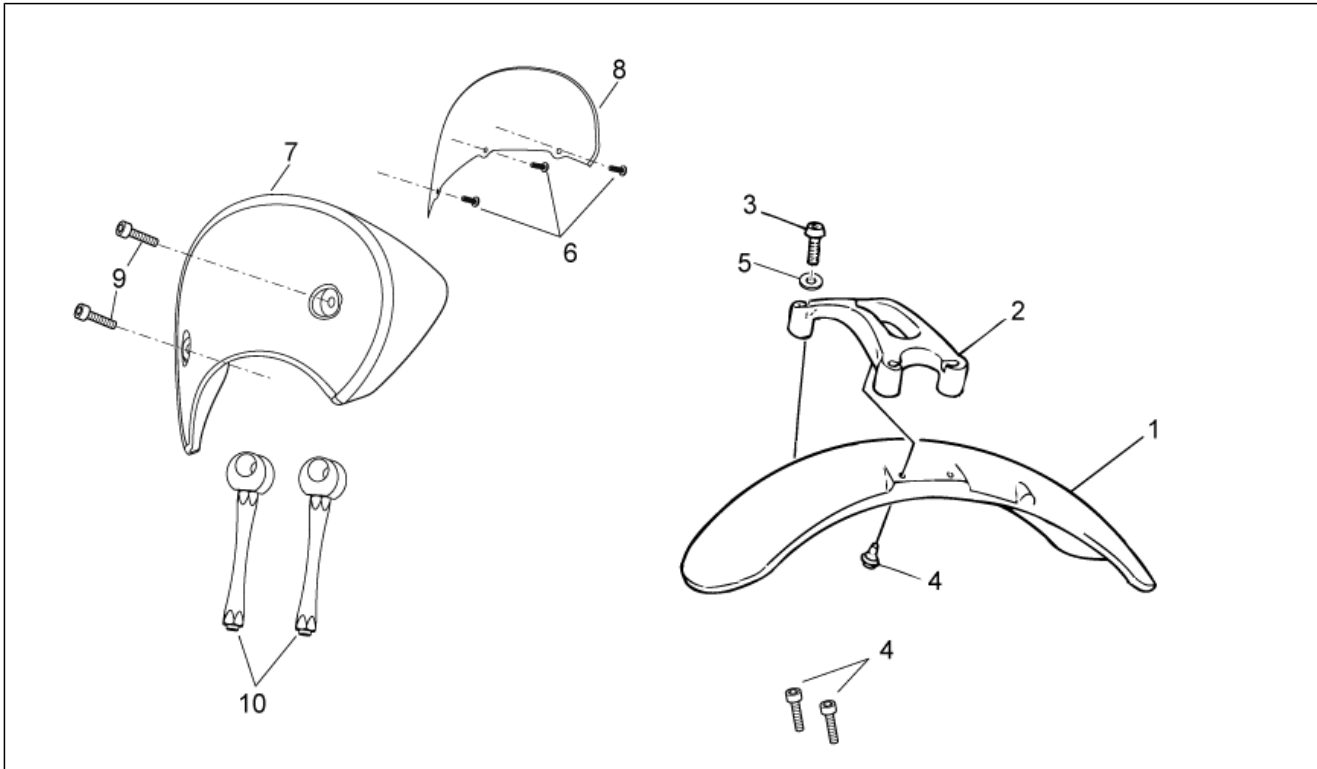
Pos.	Code	Description	Qty	Variants
				Country:Australia[AA], europe[EU], Japan[J], Great Britain[UK]
4	883193	Gasket	1	Year:2010[A], 2011[b] Country:Canadian[CA], USA[USA]
4	GU03103500	Ring	1	Year:2012[c] Country:Canadian[CA], USA[USA]
5	GU03101720	Reduction 38 mm	1	
6	GU03102200	Plug ring nut	1	
7	GU03101600	Gasket	1	
8	GU03103200	screw	5	Year:2012[c] Country:Canadian[CA], USA[USA]
8	GU98370520	Hex socket screw	3	Year:2010[A], 2011[b] Country:Australia[AA], europe[EU], Japan[J], Great Britain[UK]
8	GU98370520	Hex socket screw	3	Year:2010[A], 2011[b] Country:Canadian[CA], USA[USA]
9	AP8152291	Screw w/ flange	1	
10	GU95005312	Washer 8,5x24x2	1	
11	GU02107100	Rubber spacer	1	Year:2010[A], 2011[b] Country:Australia[AA], europe[EU], Japan[J], Great Britain[UK]
11	GU02107100	Rubber spacer	1	Year:2010[A], 2011[b] Country:Canadian[CA], USA[USA]
11	GU91551131	Rubber spacer	1	Year:2012[c] Country:Canadian[CA], USA[USA]
12	883252	Spacer	1	Year:2010[A], 2011[b] Country:Australia[AA], europe[EU], Japan[J], Great Britain[UK]
12	883252	Spacer	1	Year:2010[A], 2011[b] Country:Canadian[CA], USA[USA]
12	AP8221128	T bush 8,5x10,7x12	1	Year:2012[c] Country:Canadian[CA], USA[USA]

Group	FRAME
Code	33.12
Description	Fuel tank
Service	1



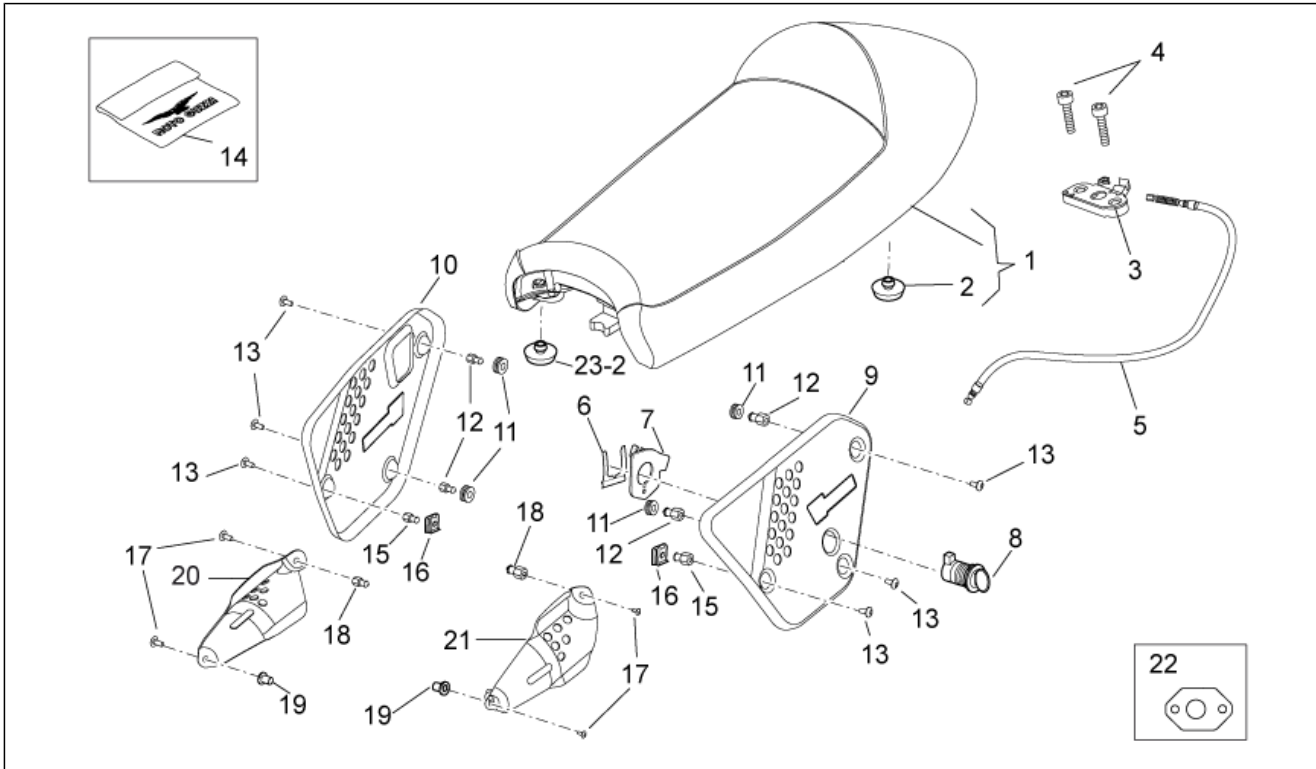
Pos.	Code	Description	Qty	Variants
13	AP8120965	O-ring 2018	1	Year:2010[A], 2011[b] Country:Australia[AA], europe[EU], Japan[J], Great Britain[UK]
13	AP8120965	O-ring 2018	1	Year:2010[A], 2011[b] Country:Canadian[CA], USA[USA]
14	GU30103730	Joint	1	
15	AP8101595	Hose clamp D10,1	1	
16	GU00823944050	pipe 5X9	1	
17	GU98692210	Hex socket screw	2	Year:2010[A], 2011[b] Country:Canadian[CA], USA[USA]
17	GU98692210	Hex socket screw	3	Country:Australia[AA], europe[EU], Japan[J], Great Britain[UK]
18	886617	Rear belt	1	
18	B063236	Cinghia post. rosso	1	Year:2012[c] Country:Canadian[CA], USA[USA]
19	886625	Front belt	1	
19	B063234	cinghia ant. rosso	1	Year:2012[c] Country:Canadian[CA], USA[USA]
20	886370	Spacer bush 5.5x9.5x5.5	3	
21	GU98370616	Hex socket screw M6x16 inox	2	
22	GU95100141	Washer 6,4x12x1,2	2	
23	GU28576591	Clip M6	2	
24	GU03102400	Gasket	1	Year:2012[c] Country:Canadian[CA], USA[USA]

Group	FRAME
Code	33.13
Description	Front body - Front mudguard
Service	1



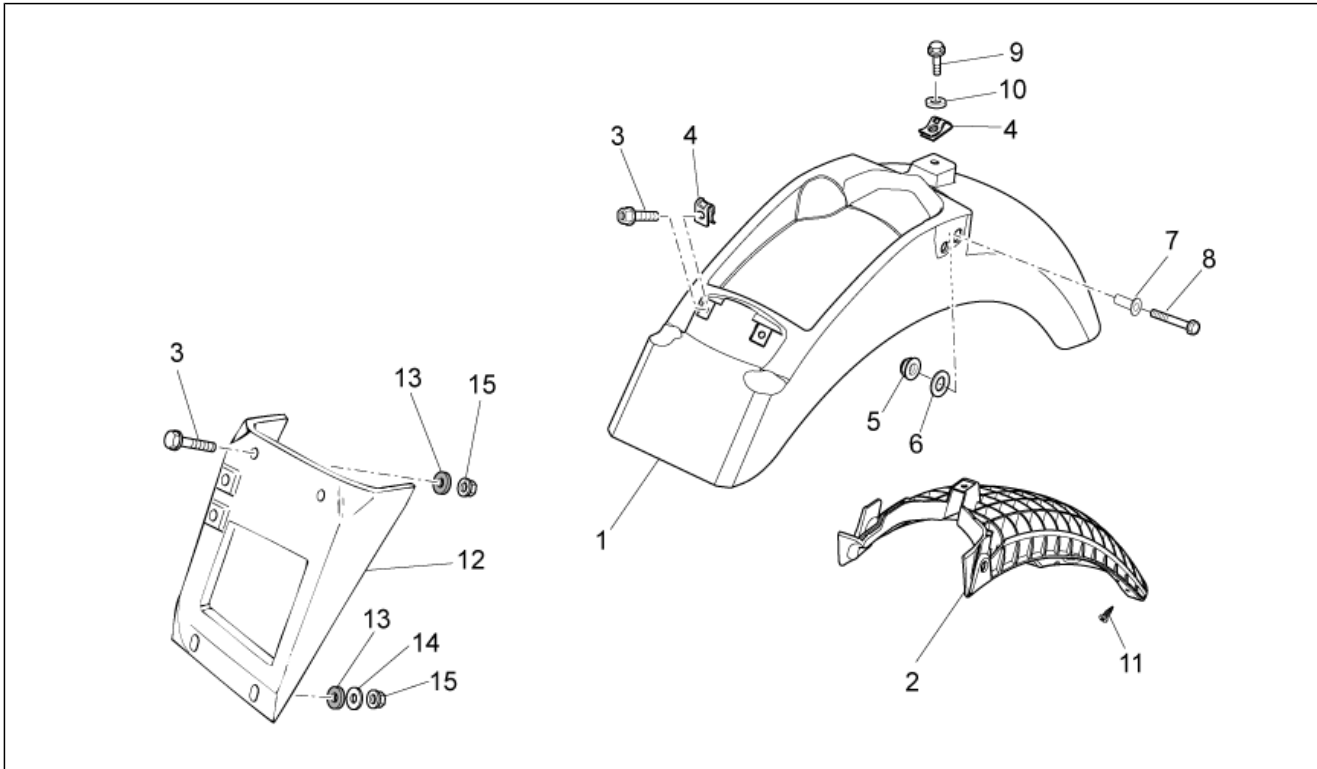
Pos.	Code	Description	Qty	Variants
1	88673000Y02	Front mudguard, black	1	
2	886784	Stabilization plate	1	
3	GU98350440	screw	4	
4	GU31439565	Special screw	4	
5	GU14615901	Washer 8,4X13X0,8	4	
6	AP8150413	Self-tap screw 3,9x14	3	
7	88673100Y02	Front fairing, black	0	
7	898179	Headlight windshield blank	1	
8	898180	Windshield	1	
9	GU98370616	Hex socket screw M6x16 inox	2	
10	886724	Windshield support	2	

Group	FRAME
Code	33.14
Description	Saddle-Central bod
Service	1



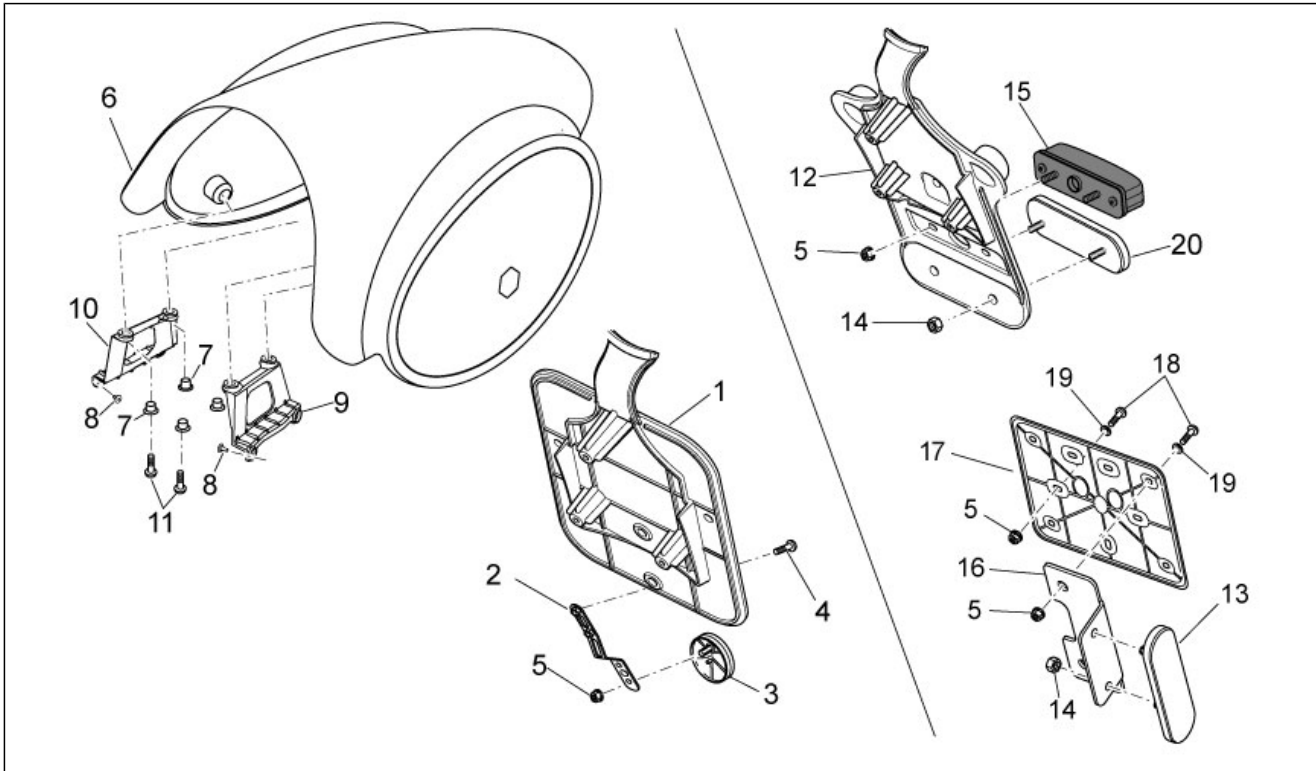
Pos.	Code	Description	Qty	Variants
1	898178	Saddle	1	
2	GU32461610	Rubber spacer	8	
3	AP8102913	Pass.saddle connecting plate	1	
4	GU98370625	Hex socket screw	2	
5	883295	Saddle release cable	1	
6	AP8121420	Fork spring	1	
7	978415	Cable fixing plate	1	
8	977527	Serratura completa di chiavi	1	
9	898278	LH side panel	1	Technical specification:no decals[ND]
10	898277	RH side panel	1	Technical specification:no decals[ND]
11	GU91551086	Rubber spacer	4	
12	886368	Fixing pin	4	
13	976614	Screw M5X15	6	
14	886841	Saddle protection bag	1	
15	886706	Fixing pin	2	
16	254485	Spring plate M6	2	
17	GU98370515	screw	4	
18	AP8120531	Rubber w/ insert *	2	
19	886727	Fixing pin	2	
20	898270	Right throttle cover	1	
21	898271	Left throttle cover	1	
22	886820	Saddle lock fix.plate	1	
23	B063429	Rubber spacer	2	

Group	FRAME
Code	33.15
Description	Rear body I- Mudguard
Service	1



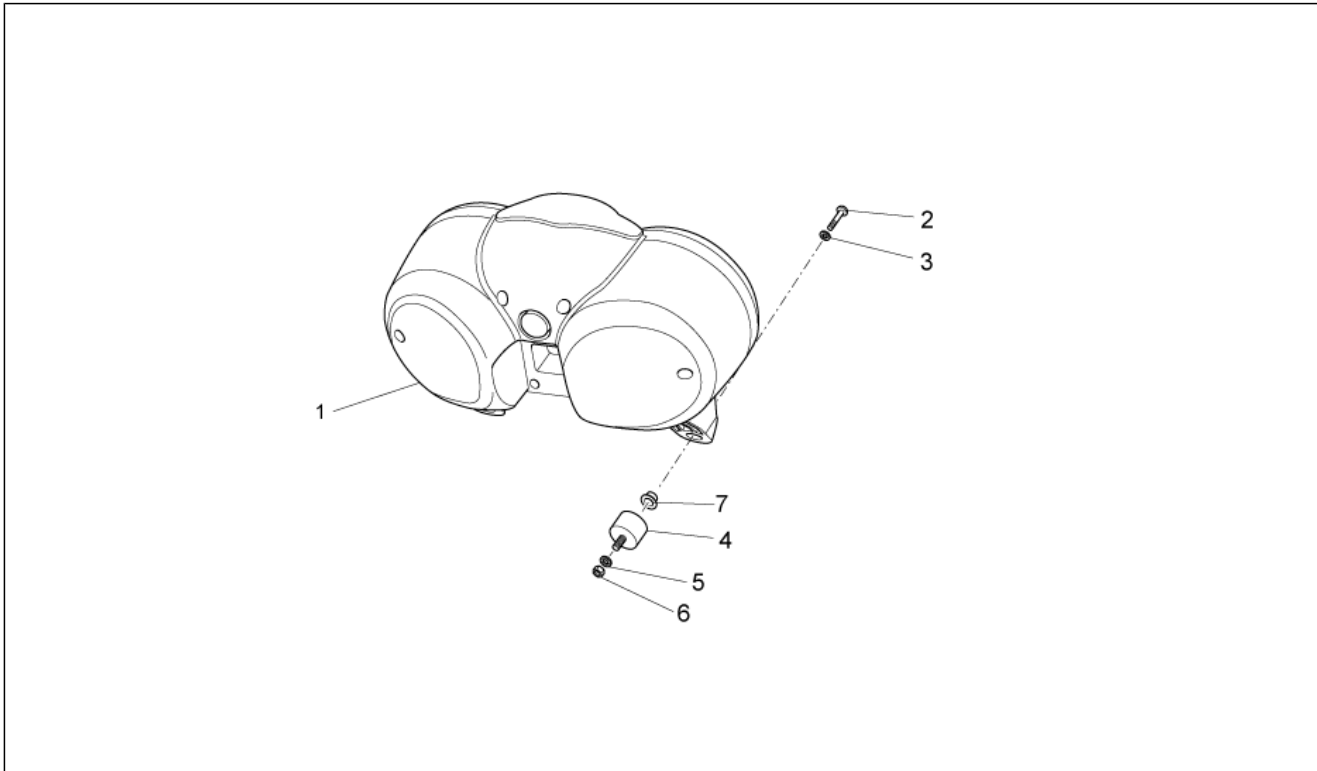
Pos.	Code	Description	Qty	Variants
1	97894600Y02	Rear mudguard, black	1	
2	978947	Support	1	
3	AP8152278	Screw w/ flange M6x16	4	
4	GU28576591	Clip M6	3	
5	GU98370831	Hex socket screw M8x30	2	
6	GU91120806	Spacer	2	
7	GU03270300	Washer 8,4x15	2	
8	GU92787008	Cap nut M8x1,25	2	
9	AP8152279	Screw w/ flange M6x20	2	
10	GU91180601	Spacer 6,2x8x3	2	
11	AP8152329	Phillips screw, SWP M5x20	3	
12	GU31438765	Splash guard	1	
13	GU93110060	Rubber spacer	4	
14	GU95100141	Washer 6,4x12x1,2	2	
15	AP8152299	Self-locking nut M6	4	

Group	FRAME
Code	33.16
Description	Rear body II- Plate holder
Service	1



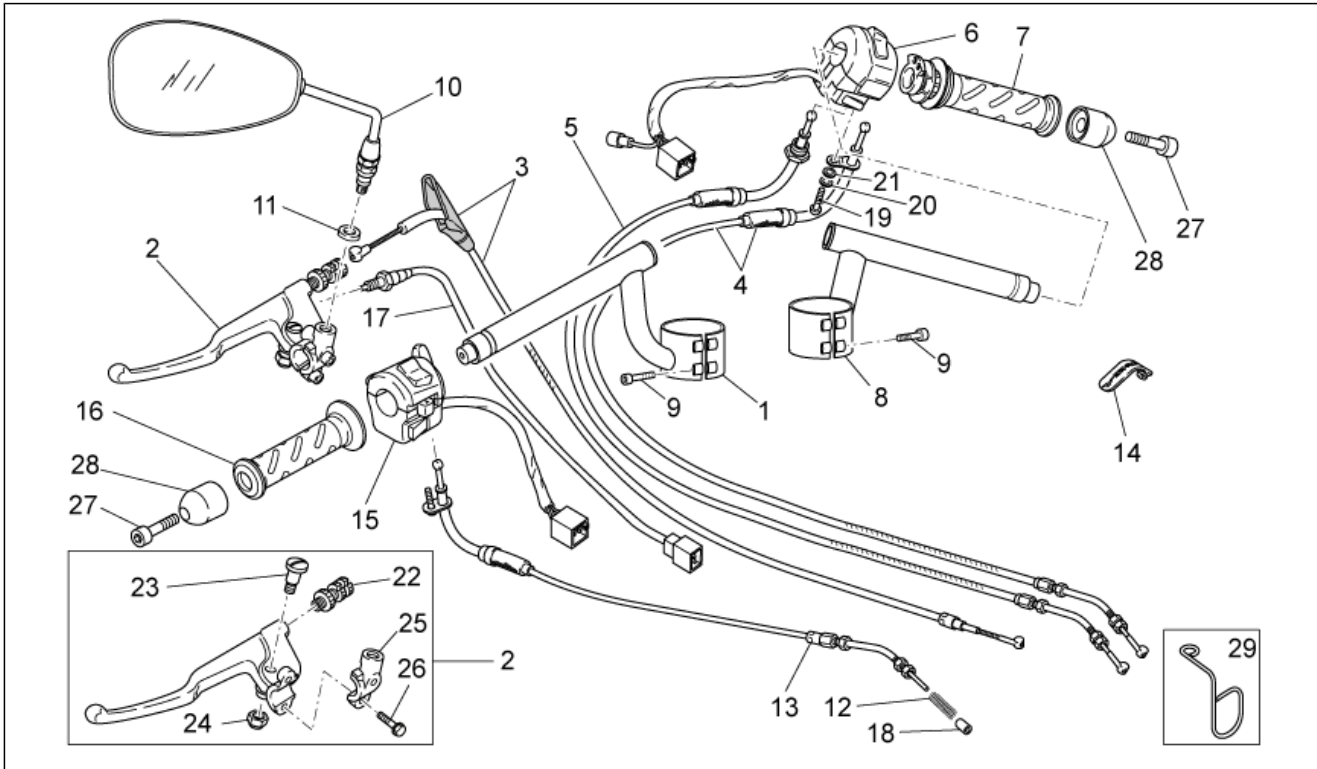
Pos.	Code	Description	Qty	Variants
1	978949	Number plate holder	1	
2	AP8134448	Reflector support	1	
3	AP8224164	Rear reflector, red	1	
4	GU98230510	Hex socket screw	2	
5	AP8152306	Self-locking nut m5	1	
6	88673200Y02	Rear fairing, black	1	Year:2010[A], 2011[b] Country:Australia[AA], europe[EU], Japan[J], Great Britain[UK] Technical specification:Decal[D]
6	88673200Y02	Rear fairing, black	1	Year:2012[c] Country:Canadian[CA], USA[USA]
6	898280	Rear fairing, blank	1	
6	B06315100Y02	Rear fairing, black	1	Year:2012[c] Country:Australia[AA], europe[EU], Japan[J], Great Britain[UK]
7	AP8121929	T bush 6,5x8,6x9	4	
8	AP8152339	Screw w/ flange M5x9	4	
9	886712	LH clamp	1	
10	886713	RH clamp	1	
11	AP8152273	Screw w/ flange M5x16	4	
12	883470	Number plate holder	1	Country:Canadian[CA], USA[USA]
13	AP8124718	Rear reflector, red	2	Country:Canadian[CA], USA[USA]
14	GU92630204	Nut	6	Country:Canadian[CA], USA[USA]
15	883480	Number-plate light	1	Country:Canadian[CA], USA[USA]
16	GU32781910	Reflector support	2	Country:Canadian[CA], USA[USA]
17	AP8149034	Number plate support	1	Country:Canadian[CA], USA[USA]
18	AP8152268	Hex socket screw M5x16	7	Country:Canadian[CA], USA[USA]
19	AP8150248	Washer 5,5x15x1,6	7	Country:Canadian[CA], USA[USA]
20	GU05781630	Reflector, amber	1	Country:Canadian[CA], USA[USA]

Group	FRAME
Code	33.17
Description	Dashboard
Service	1



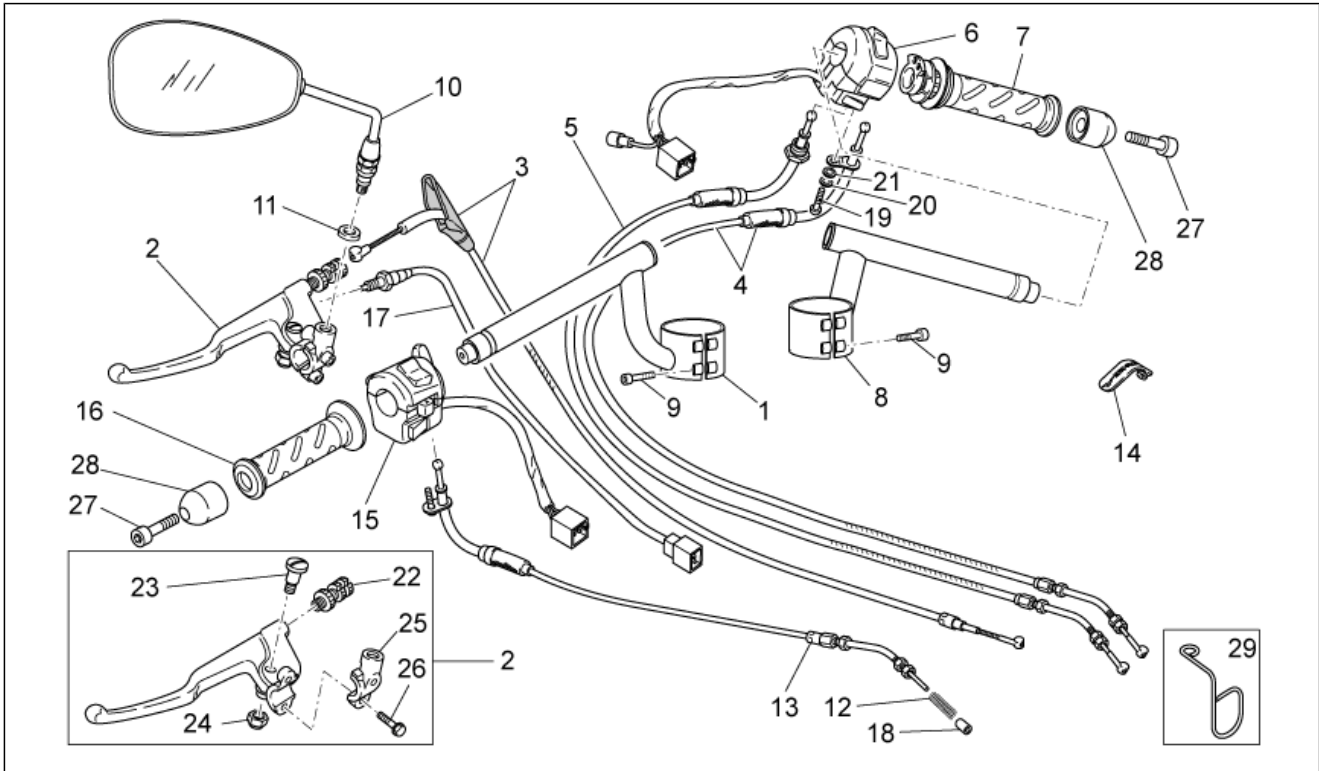
Pos.	Code	Description	Qty	Variants
1	883796	Dashboard complete	1	Country:Australia[AA], Canadian[CA], europe[EU], Japan[J]
1	883797	Dashboard complete	1	Country:Great Britain[UK], USA[USA]
2	GU98370609	Hex socket screw M6x10	3	
3	GU95005306	Washer 6,4x13x1,5	3	
4	GU93222023	Silent-block	3	
5	GU95021206	Washer	3	
6	GU92606206	Nut	3	
7	AP8121032	Bush	3	

Group	FRAME
Code	33.18
Description	Handlebar - Controls
Service	1



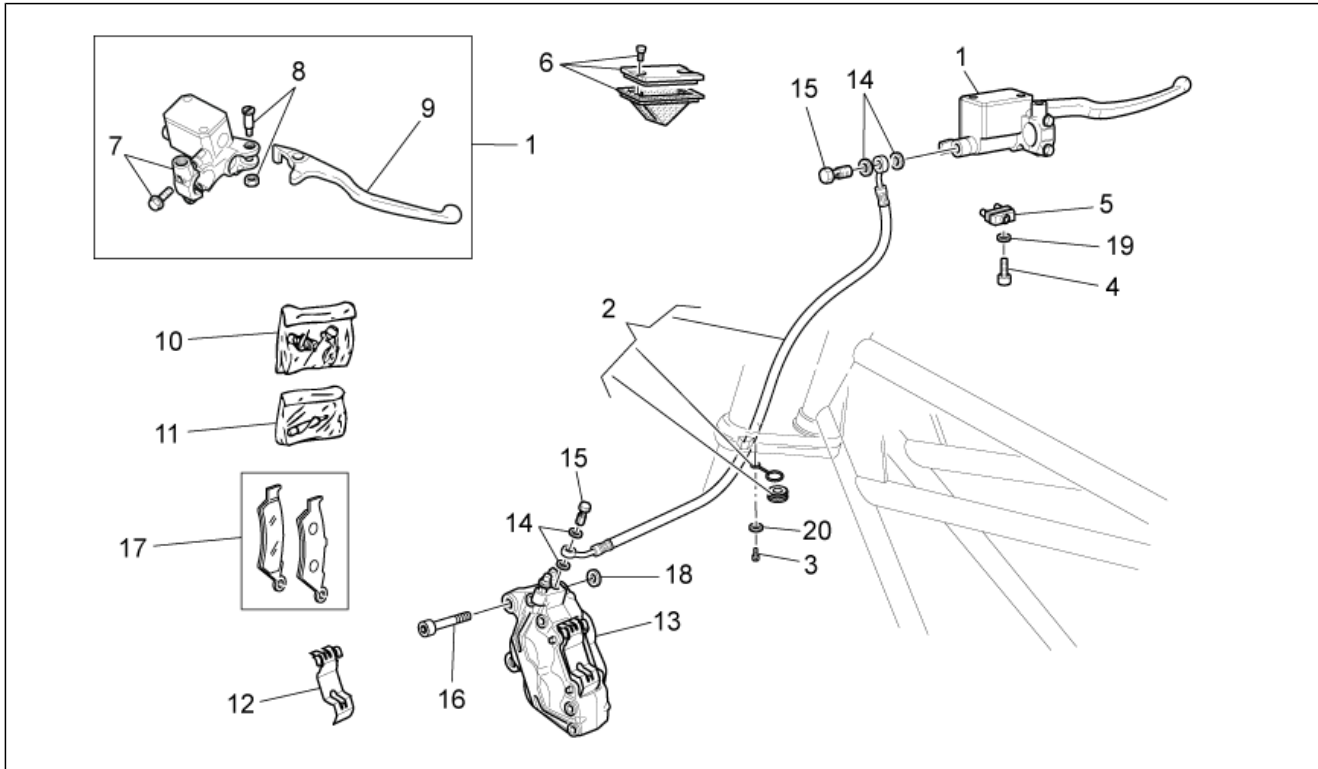
Pos.	Code	Description	Qty	Variants
1	898170	Left half handlebar	1	
2	GU32605510	Clutch lever	1	
3	883940	Clutch cable	1	
4	GU32117010	Gas trasmission delivery	1	
5	GU32117011	Gas trasmission return	1	
6	GU32738810	RH lights selector	1	
7	GU32603310	RH hand grip	1	
8	898171	Right half handlebar	1	
9	GU98692325	Hex socket screw M6x25	4	
10	883802	RH/LH rearview mirror	2	Technical specification:"FU E1181R-001047"[B]
10	978570	RH/LH rearview mirror	2	Technical specification:"FAR"[A]
11	GU91181003	Spacer 10,25X20X4	2	
12	GU94321074	Spring 7x1,1x25	1	
13	GU32137010	Choke cable	1	
14	GU01609630	Hose clamp L46 mm	2	
14	GU03609600	Hose clamp L36 mm	1	
15	883075	LH lights selector	1	
16	GU32603010	LH hand grip	1	
17	GU29759150	Lateral stand switch	1	
18	GU39094200	Cover	1	
19	GU98230510	Hex socket screw	1	
20	GU95008305	Washer 5,3X10X1	1	
21	GU95021105	Notched washer	1	
22	GU30602500	Register	1	
23	AP8213028	screw	1	
24	AP8118490	Nut	1	
25	GU30601060	Clump	1	
26	GU97202325	Black screw w/ flange M6x25	2	

Group	FRAME
Code	33.18
Description	Handlebar - Controls
Service	1



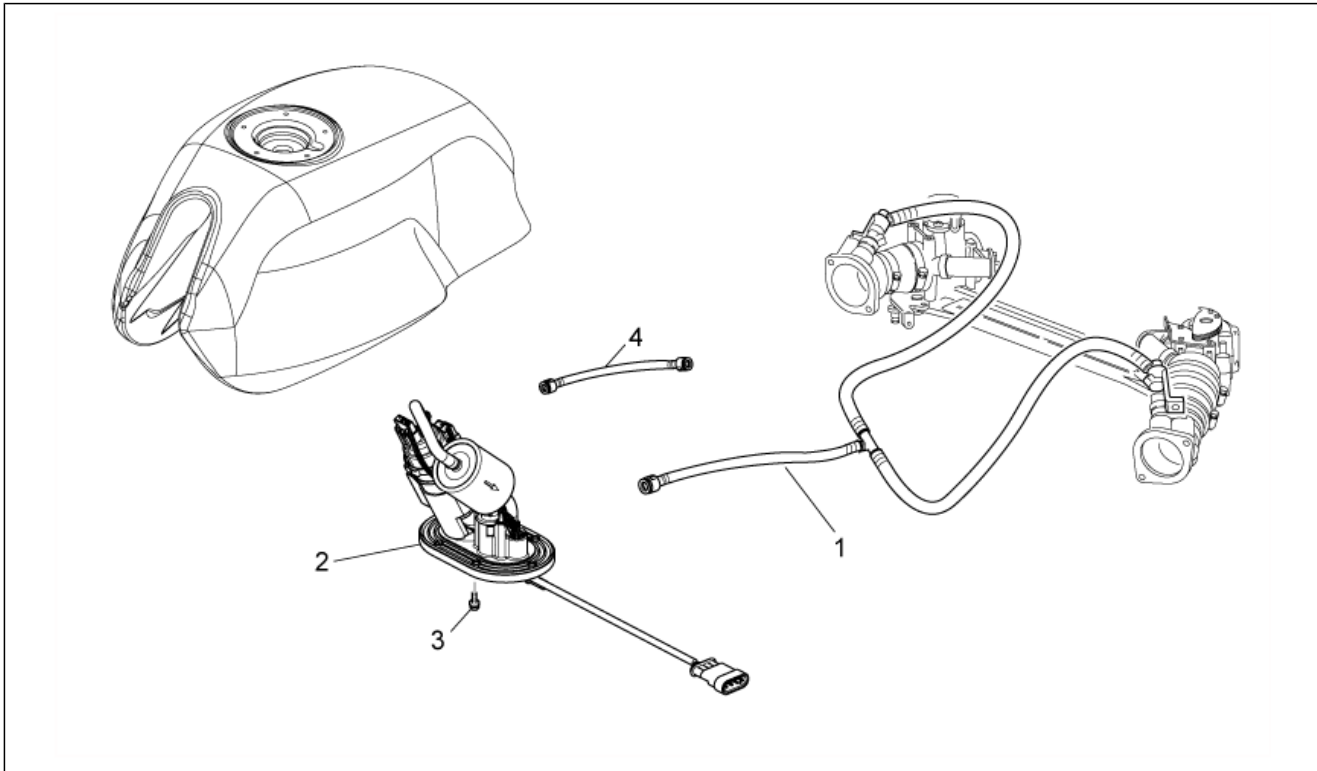
Pos.	Code	Description	Qty	Variants
27	GU98690335	Hex socket screw	2	
28	GU32602860	Anti.v weight, chr.	2	
29	AP8221172	Cable-guide	1	

Group	FRAME
Code	33.19
Description	Front brake system
Service	1



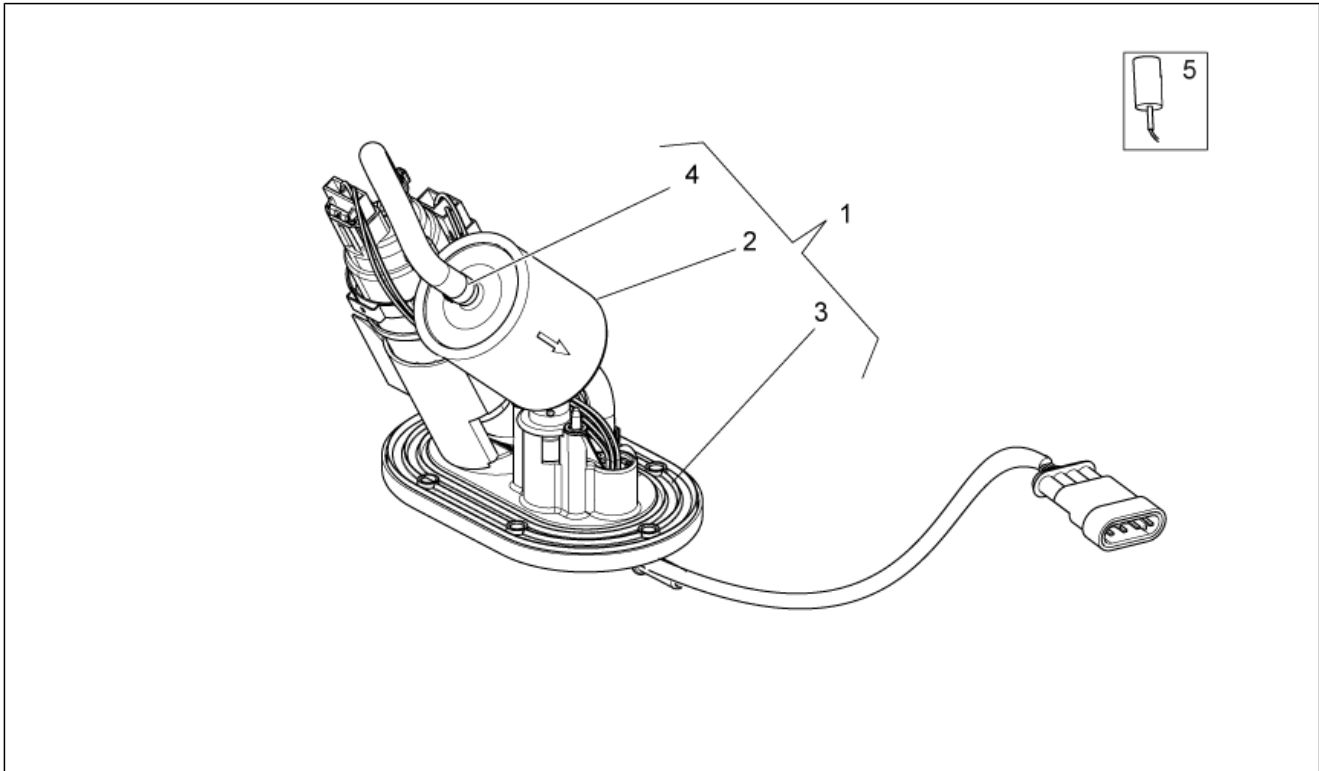
Pos.	Code	Description	Qty	Variants
1	GU03660145	Front master cilinder	1	
2	883581	Brake hose	1	
3	AP8152277	Screw w/ flange M6x12	1	
4	GU98370412	Hex socket screw M4x12	1	
5	GU03749845	Stop switch	1	
6	GU03661145	Pump cover	1	
7	GU03664045	U-bolt	1	
8	GU03604845	Lever pin	1	
9	GU03605645	Brake lever	1	
10	GU05659230	Bleeder+cap	1	
11	GU01659130	Pins+Caliper springs	1	
12	GU01659131	Spring	1	
13	883303	LH front brake caliper, black	1	
14	AP8113004	Washer 10x14x1,6*	4	
15	978323	Oil pipe screw *	2	
16	AP8152385	Hex socket screw M10x1,25	2	
17	GU01654630	Pads pair	1	
18	GU91181003	Spacer 10,25X20X4	2	
19	GU95021104	Washer 4,3x8x1,5	1	
20	GU95008306	Washer 6,4x12x1,2	1	

Group	FRAME
Code	33.20
Description	Fuel supply
Service	1



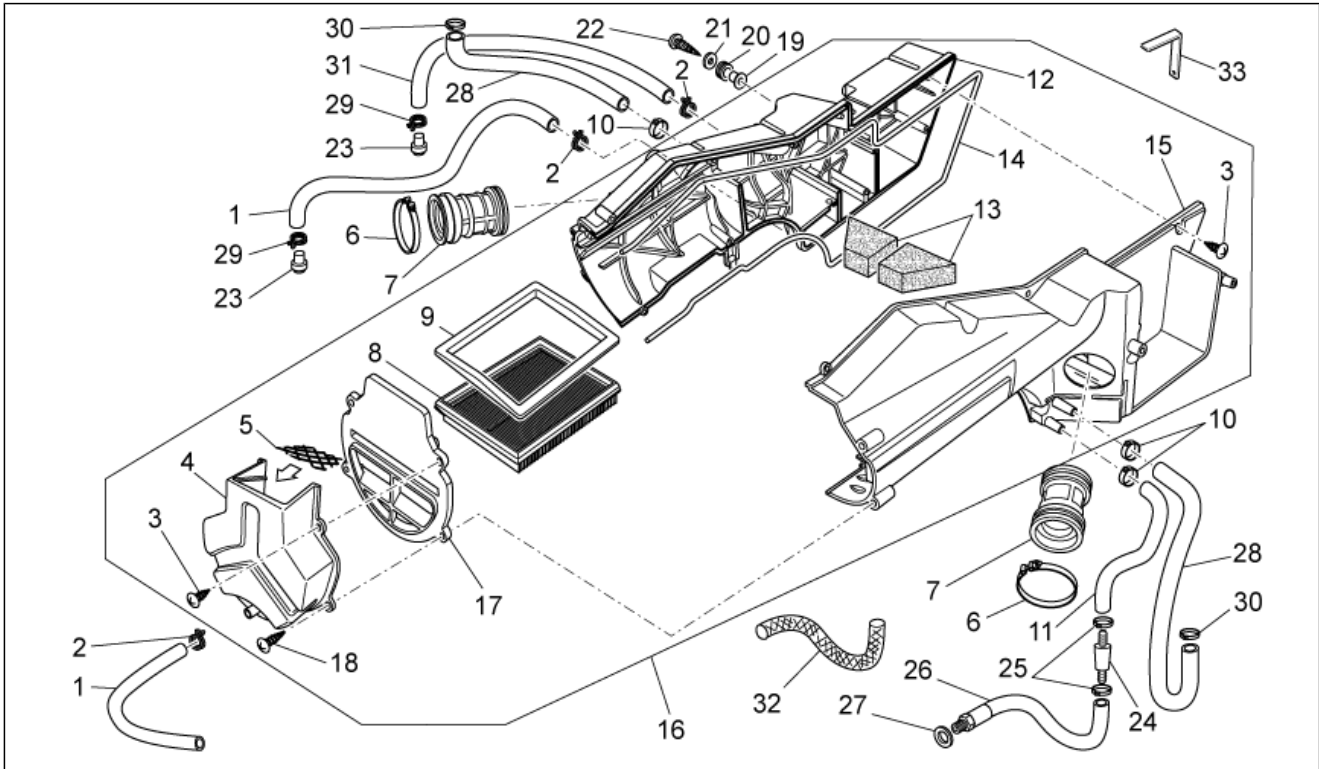
Pos.	Code	Description	Qty	Variants
1	883265	Fuel pipe	1	Year: 2010[A], 2011[b] Country: Canadian[CA], USA[USA]
1	883265	Fuel pipe	1	Country: Australia[AA], europe[EU], Japan[J], Great Britain[UK]
1	B063034	Fuel pipe	1	Year: 2012[c] Country: Canadian[CA], USA[USA]
2	978930	Fuel pump	1	Country: Australia[AA], europe[EU], Japan[J], Great Britain[UK] Technical specification: Serbatoio in plastica[PL]
2	B063645	Gruppo Aspirazione Carburante	1	Year: 2011[b] Country: Canadian[CA], USA[USA]
2	B063752	Fuel pump	2	Country: Australia[AA], europe[EU], Japan[J], Great Britain[UK] Technical specification: Serbatoio in ferro[FE]
3	AP8152273	Screw w/ flange M5x16	6	
4	B063033	Fuel pipe	1	Year: 2012[c] Country: Canadian[CA], USA[USA]

Group	FRAME
Code	33.21
Description	Fuel pump
Service	1



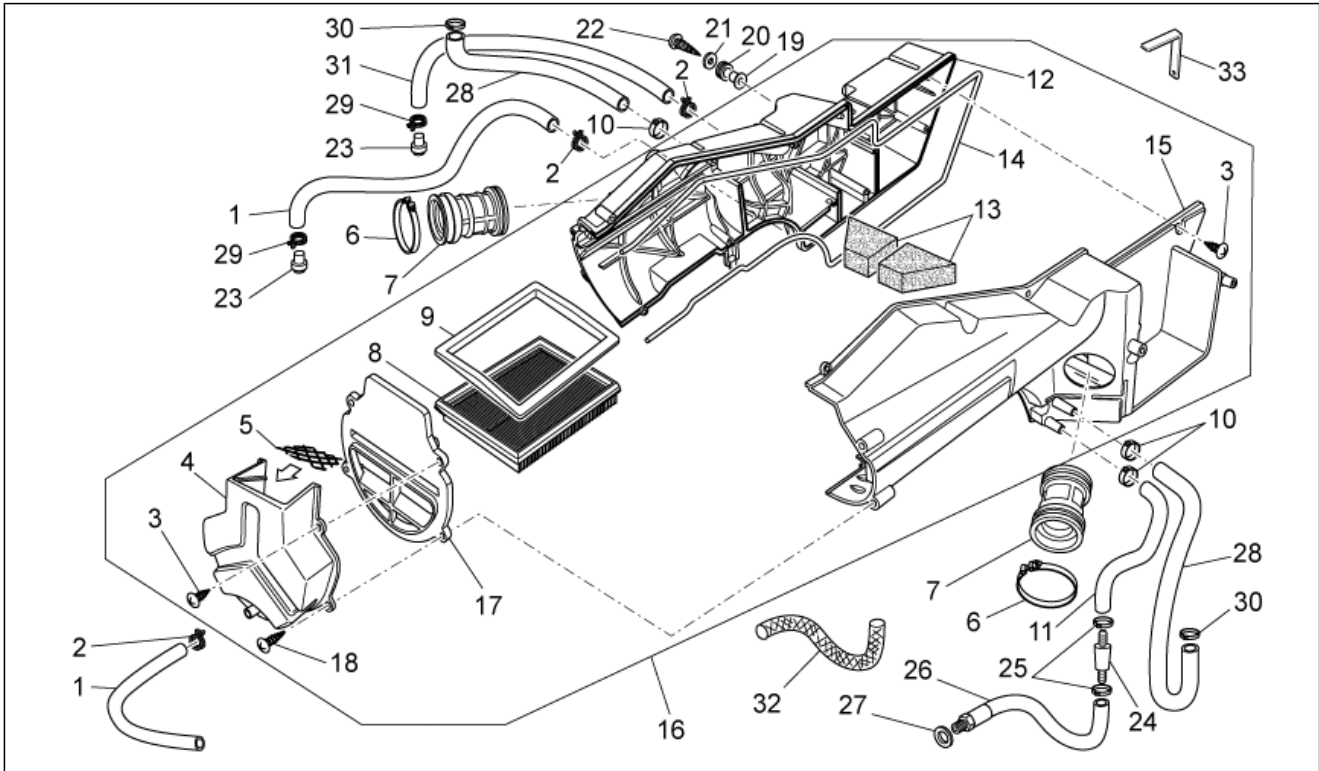
Pos.	Code	Description	Qty	Variants
1	978930	Fuel pump	1	Country: Australia[AA], europe[EU], Japan[J], Great Britain[UK] Technical specification: Serbatoio in plastica[PL]
1	B063645	Gruppo Aspirazione Carburante	1	Year: 2012[c] Country: Australia[AA], Canadian[CA], europe[EU], Japan[J], Great Britain[UK], USA[USA] Technical specification: Serbatoio in ferro[FE]
2	GU01106090	Fuel filter	1	
3	GU05107430	Gasket	1	
4	GU01108490	Hose clamp 11,3	4	
5	883852	Thermistor	1	Country: Australia[AA], Canadian[CA], europe[EU], Japan[J], Great Britain[UK], USA[USA] Technical specification: Serbatoio in plastica[PL]
5	GU32103060	Thermistor	1	Country: Australia[AA], Canadian[CA], europe[EU], Japan[J], Great Britain[UK], USA[USA] Technical specification: Serbatoio in ferro[FE]

Group	FRAME
Code	33.22
Description	Air box
Service	1



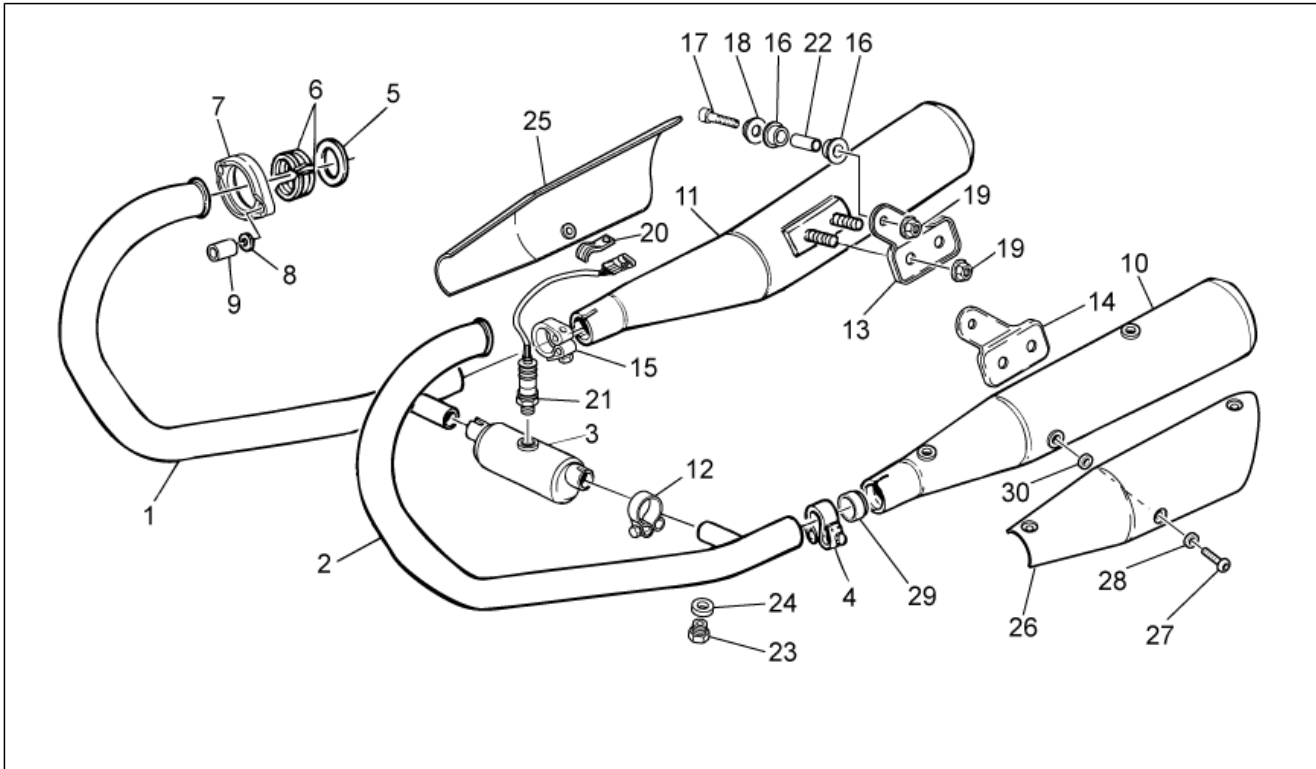
Pos.	Code	Description	Qty	Variants
1	AP8120952	Fuel pipe 5,5x10	2	
2	AP8201358	Hose clamp D 11,9	2	
3	AP8150413	Self-tap screw 3,9x14	12	
4	GU32116910	Filter cover	1	
5	GU32113510	Filter mesh	1	
6	GU93305061	Hose clamp 61/65,5	2	
7	GU32114410	Intake hose	2	
8	AP8104242	Air filter	1	
9	GU32114110	Maintenance	1	
10	AP8102766	Hose clamp	3	
11	AP8120772	Breather pipe	1	
12	GU32114011	RH Bearing shell	1	
13	AP8104525	Filter blow-by	2	
14	AP8120615	Gasket D3	3	
15	883697	LH Bearing shell	1	
16	883696	Air box	1	
17	GU32113410	Cover	1	
18	AP8152329	Phillips screw, SWP M5x20	3	
19	GU30576100	Spacer D.6,5	3	
20	GU91551010	Rubber spacer	3	
21	GU95100059	Washer 5,25x14x1,5	3	
22	AP8152329	Phillips screw, SWP M5x20	3	
23	AP8120876	Plug	3	
24	AP8104251	Oil breather valve	1	
25	AP8102159	Hose clamp	2	
26	GU32159310	Breather	1	
27	GU90714082	Gasket	1	
28	GU32159610	Breather pipe	2	

Group	FRAME
Code	33.22
Description	Air box
Service	1



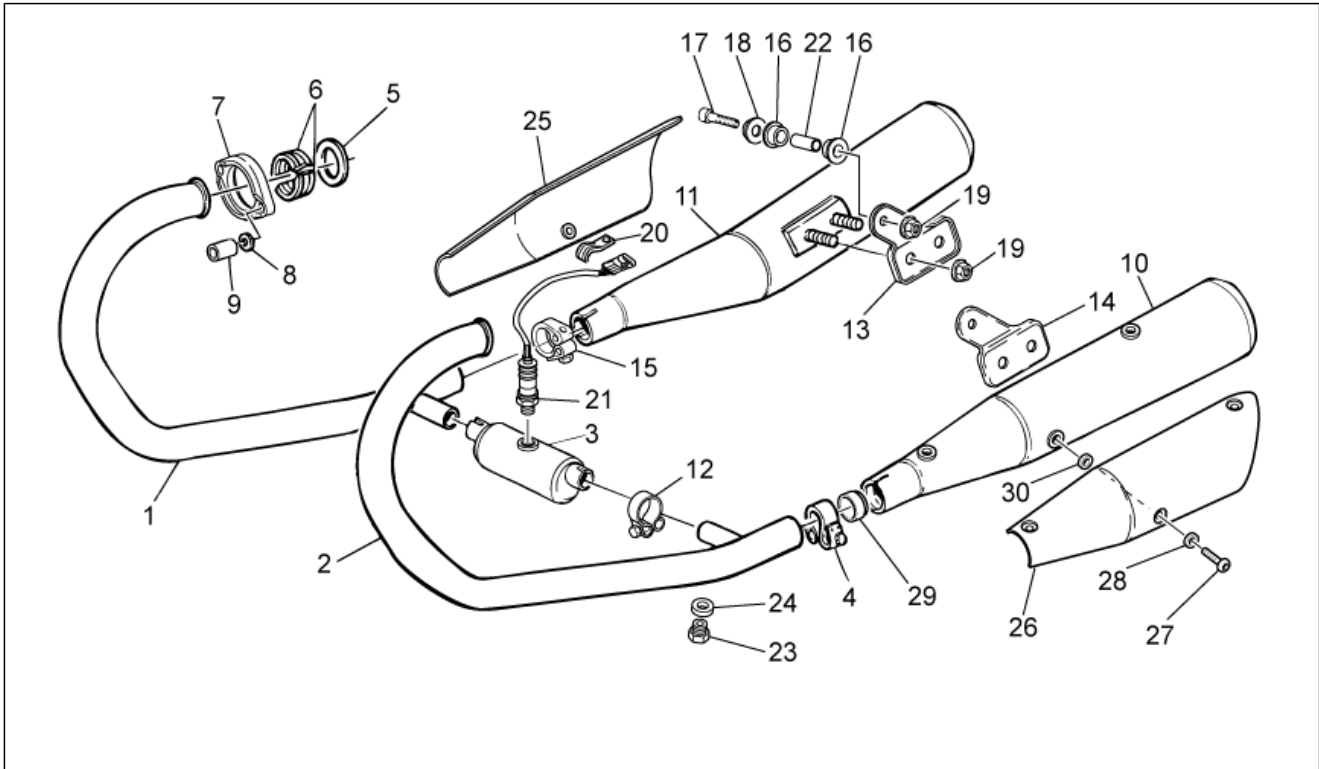
Pos.	Code	Description	Qty	Variants
29	GU61108500	Hose clamp D9	2	
30	AP8102239	Hose clamp 12,5x8	2	
31	AP8144038	Fuel pipe 6x10	1	
32	GU00823923140	Thermal sheath	1	
33	GU31112965	Square	1	

Group	FRAME
Code	33.23
Description	Exhaust unit
Service	1



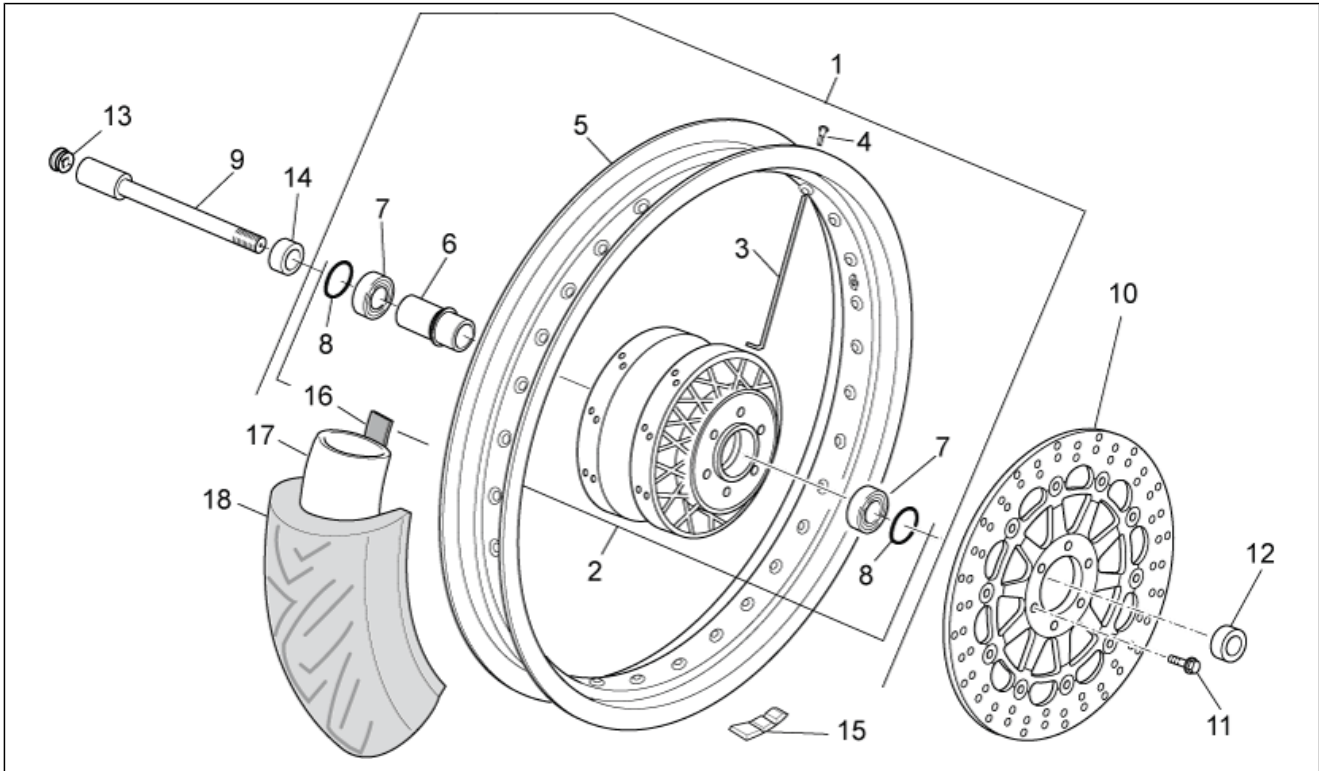
Pos.	Code	Description	Qty	Variants
1	883870	RH exhaust pipe	1	Country:Japan[J]
1	GU32120710	RH exhaust pipe	1	Country:Australia[AA], Canadian[CA], europe[EU], Great Britain[UK], USA[USA]
2	883871	LH exhaust pipe	1	Country:Japan[J]
2	GU32120711	LH exhaust pipe	1	Country:Australia[AA], Canadian[CA], europe[EU], Great Britain[UK], USA[USA]
3	GU32123910	Expansion chamber	1	
4	978387	LH silencer clamp	1	
5	GU19025280	Gasket	2	
6	GU19025460	Spacer	4	
7	GU32121010	Ring nut	2	
8	GU03013800	Washer 6,4x12	4	
9	GU31121880	Nut	4	
10	883712	LH silencer	1	
11	883711	RH silencer	1	
12	978385	Hose clamp	2	
13	GU32128610	RH plate	1	
14	GU32129010	LH plate	1	
15	978386	RH silencer clamp	1	
16	AP8144071	Rubber exhaust	4	
17	GU98680440	Hex socket screw M8x40	2	
18	AP8134378	Silencer fixing bush	2	
19	GU92640508	Nut M8	6	
20	GU93301175	U-bolt	1	
21	GU32727010	Lamda sensor	1	
22	AP8121072	Spacer	2	
23	GU98110007	Cover	2	
24	GU30109330	Gasket	2	

Group	FRAME
Code	33.23
Description	Exhaust unit
Service	1



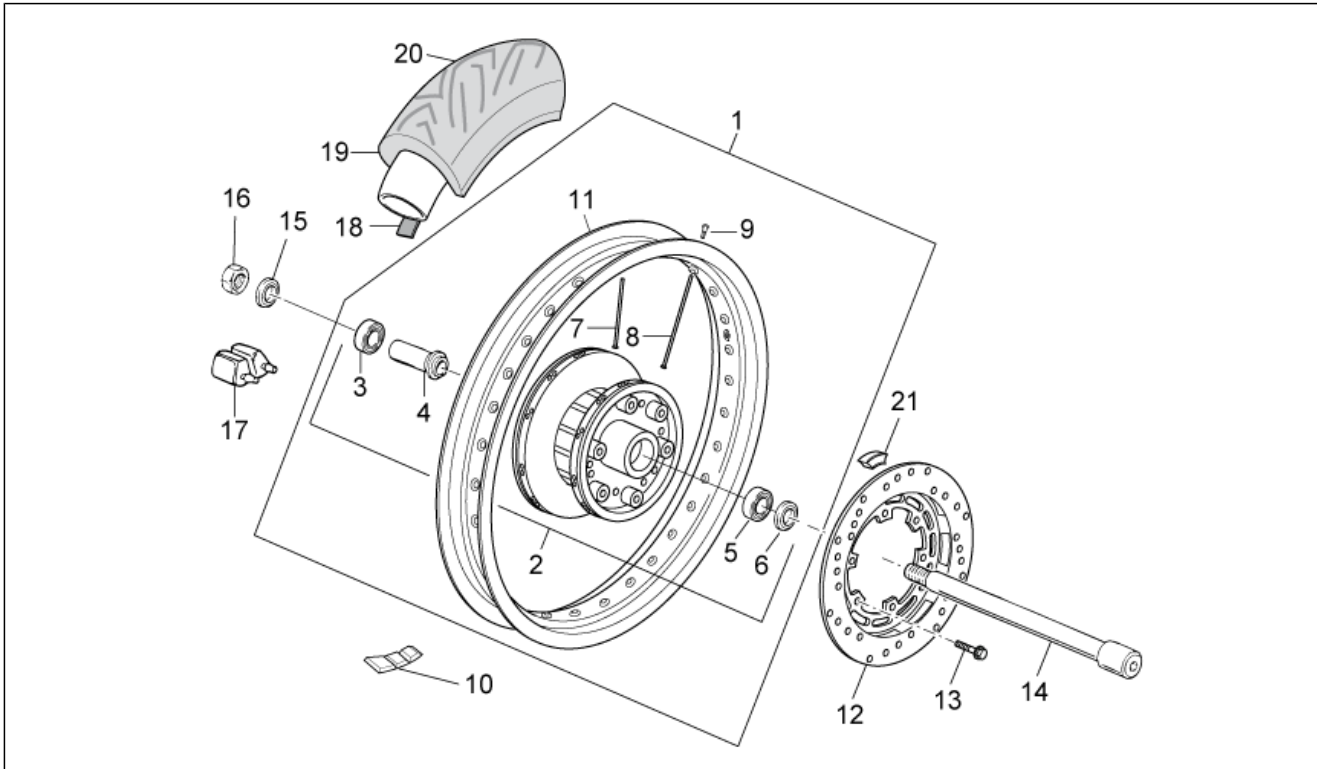
Pos.	Code	Description	Qty	Variants
25	GU32121910	RH protection	1	
26	GU32121911	LH protection	1	
27	GU98370609	Hex socket screw M6x10	6	
28	GU95005306	Washer 6,4x13x1,5	6	
29	GU91113826	Bushing	2	
30	AP8221297	Insulating washer	6	

Group	FRAME
Code	33.24
Description	Front wheel
Service	1



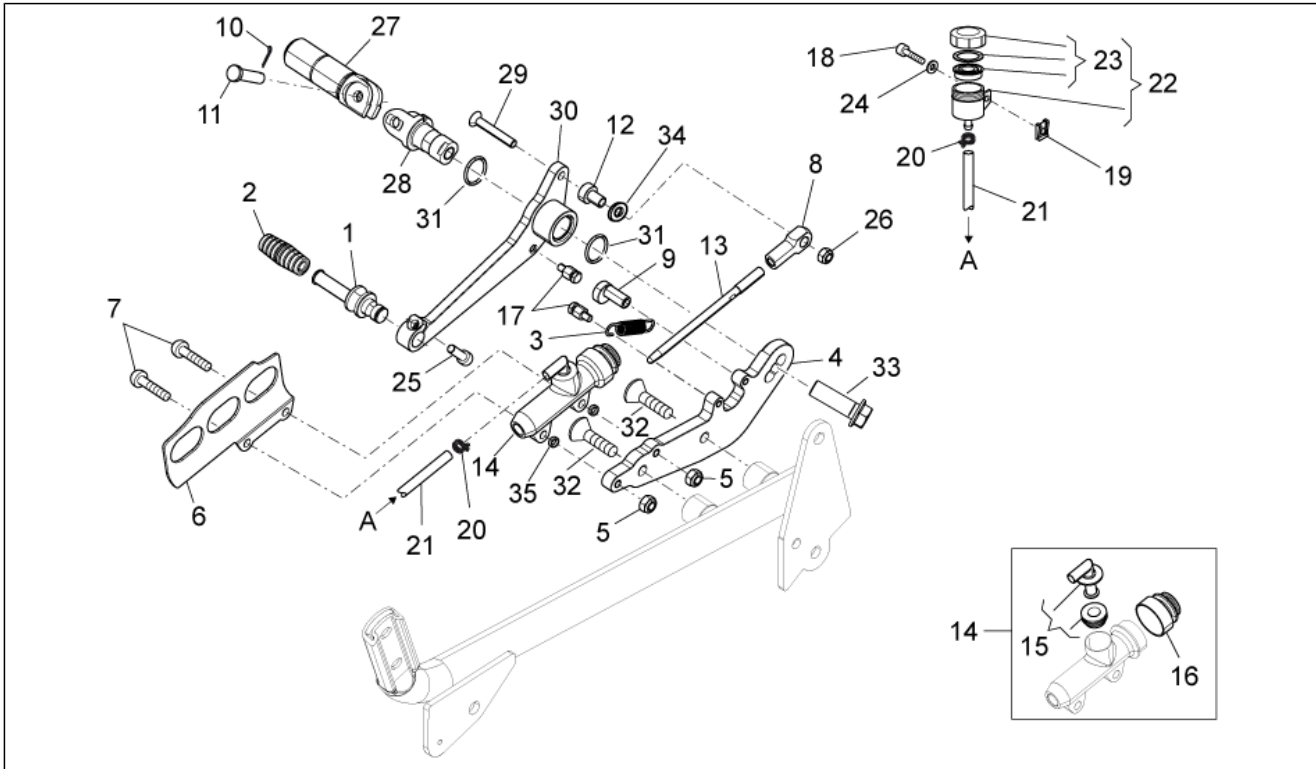
Pos.	Code	Description	Qty	Variants
1	898167	Front wheel	1	
2	886681	Front hub	1	
3	GU32611660	Spoke	36	
4	GU03631250	Nipples	36	
5	898118	Wheel	1	
6	GU31615260	Spacer	1	
7	GU92204221	Bearing	2	
8	GU90402642	Gasket ring	1	
9	GU31614183	Front wheel spindle	1	
10	883688	Front brake disc 320	1	
11	AP8152286	Screw w/ flange M8x20	6	
12	GU31616384	LH spacer	1	
13	GU93180111	Cover 15 mm	1	
14	GU32615660	RH spacer	1	
15	GU14616150	Counterweight	1	
16	0000000	Tyre	1	
17	0000000	Tyre	1	
18	0000000	Tyre	1	

Group	FRAME
Code	33.25
Description	Rear wheel
Service	1



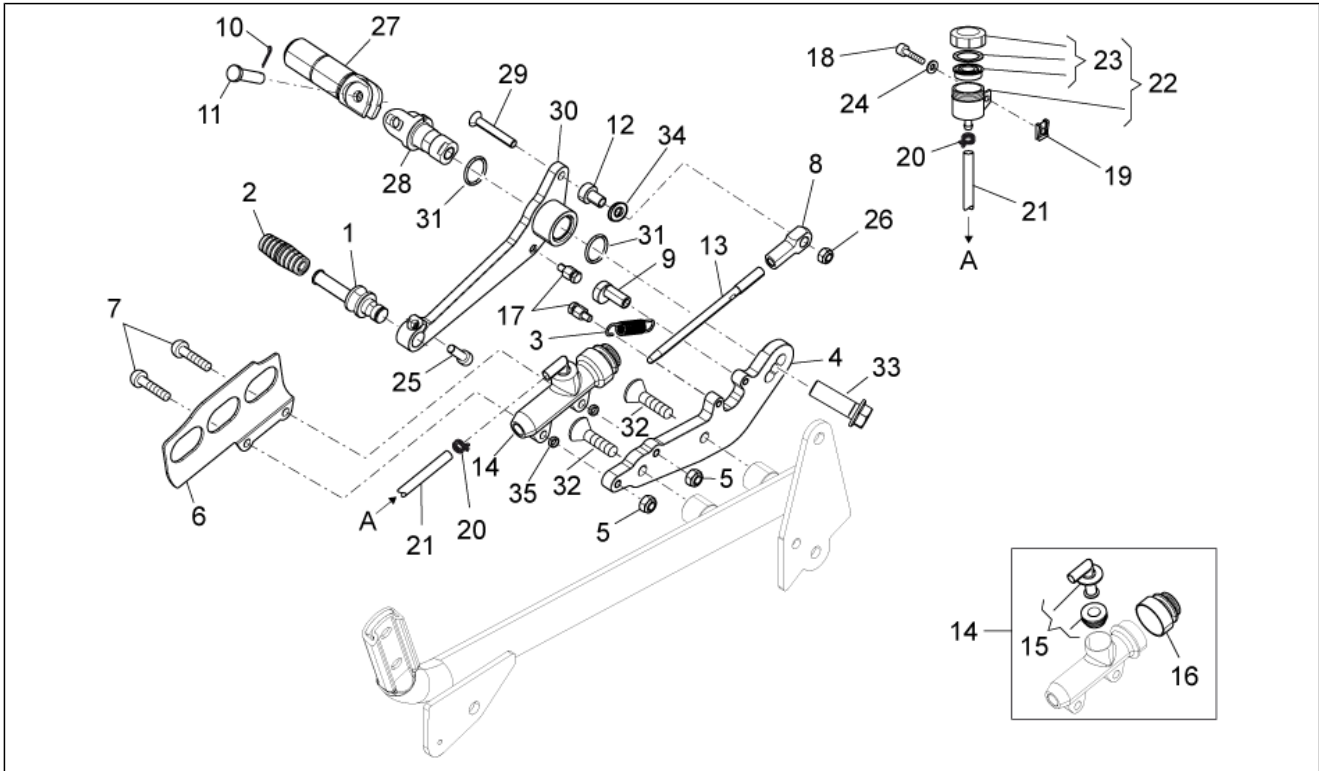
Pos.	Code	Description	Qty	Variants
1	898168	Rear wheel 3.5"x17"	1	
2	886711	Rear hub	1	
3	GU92204218	Bearing	1	
4	GU27633910	Spacer	1	
5	GU92204217	Bearing	1	
6	GU90402538	Gasket ring 25x40x7	1	
7	883350	Short spoke	18	
8	883349	Long spoke mm 158	18	
9	GU03631250	Nipples	36	
10	GU14616150	Counterweight	1	
11	898120	Wheel rim	1	
12	GU31613381	Brake disc	1	
13	GU98682425	Hex socket screw M8x25	6	
14	GU32633360	Rear wheel spindle	1	
15	GU31634481	Washer	1	
16	GU92606316	Nut M16x1,5	1	
17	GU32632510	Rubber coupling	6	
18	0000000	Tyre	1	
19	0000000	Tyre	1	
20	0000000	Tyre	1	
21	GU32636160	Support rubber part	1	

Group	FRAME
Code	33.26
Description	Rear master cylinder
Service	1



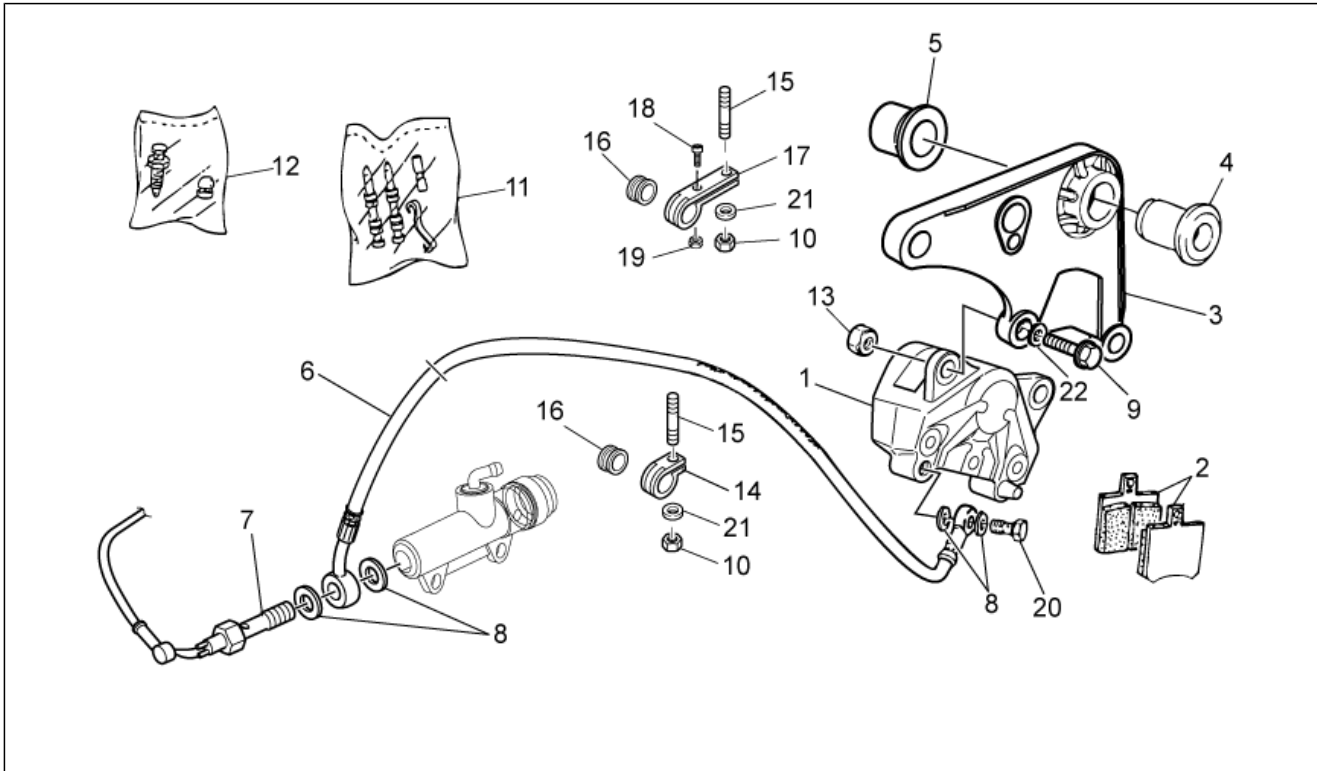
Pos.	Code	Description	Qty	Variants
1	886665	Pin	1	
2	AP8120912	Lever rubber	1	
3	AP8121927	Rear brake lever spring	1	
4	898288	Rider footrest plate	1	
5	GU92630206	Nut M6x1	2	
6	GU01665410	Brake m.cyl.protection, black	1	
7	GU98370625	Hex socket screw	2	
8	GU18257551	Block	1	
9	886666	Bush	1	
10	GU95401215	Split pin	1	
11	GU23442210	Pin	1	
12	898287	Lever pin	1	
13	978970	Master cylinder rod	1	
14	AP8133643	Rear master cylinder	1	
15	AP8213057	Rear brake pump union	1	
16	AP8113288	Rubber bellows	1	
17	898286	Springs fixing pin	2	
18	GU98682215	Hex socket screw	1	
19	AP8102375	Clip m5	1	
20	AP8101594	Hose clamp D10,1*	2	
21	GU00823950050	Oil pipe	1	
22	AP8133873	Brake oil tank complete	1	
23	AP8113553	Tank cap	1	
24	GU95100059	Washer 5,25x14x1,5	1	
25	AP8150044	Hex socket screw M6x20	1	
26	AP8150115	Low self-locking nut M6	1	
27	898281	RH Foot rests	1	
28	898612	RH front footrest bracket	1	

Group	FRAME
Code	33.26
Description	Rear master cylinder
Service	1



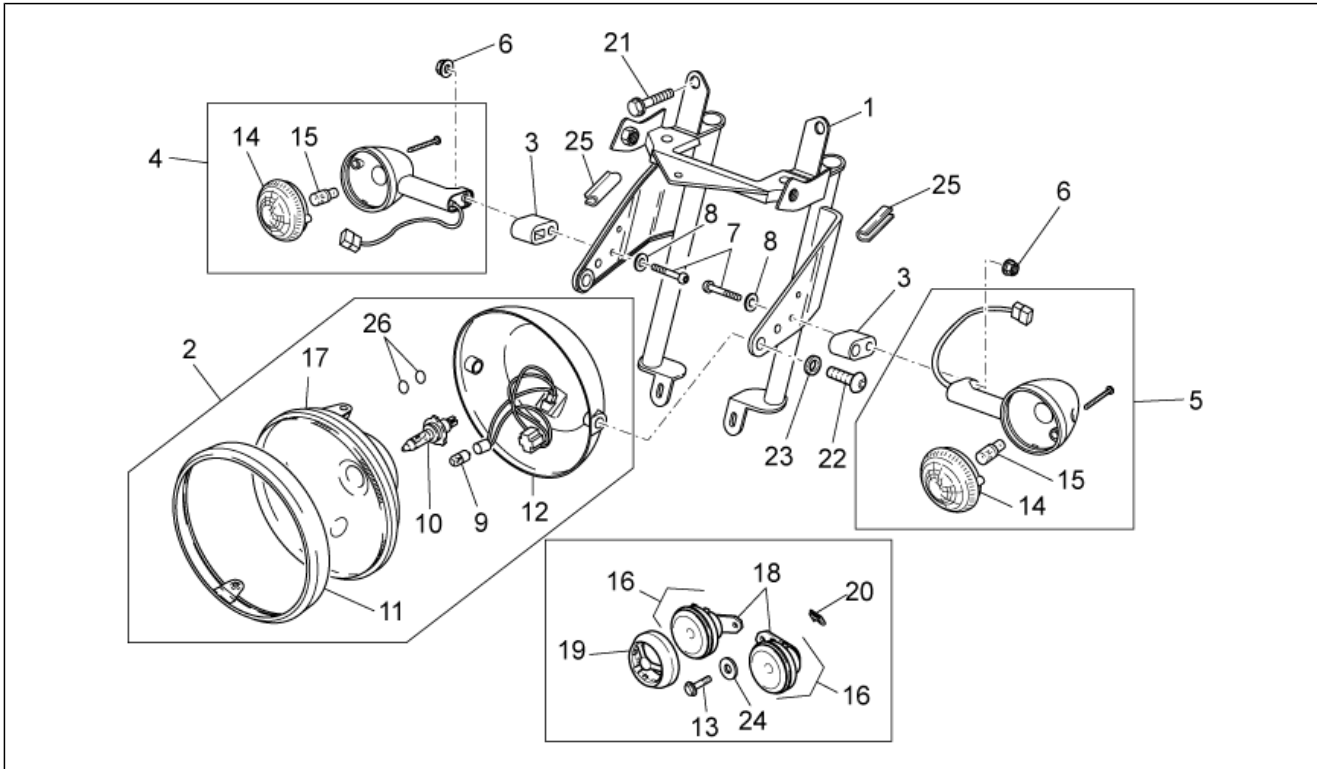
Pos.	Code	Description	Qty	Variants
29	AP8150468	Screw M6x40	1	
30	898285	Brake lever	1	
31	AP9100477	O-ring 18x2	2	
32	GU98252420	Screw M8x20	2	
33	AP8152320	Screw w/ flange	1	
34	GU03270300	Washer 8,4x15	1	
35	AP8134640	Air box spacer	2	

Group	FRAME
Code	33.27
Description	Rear brake caliper
Service	1



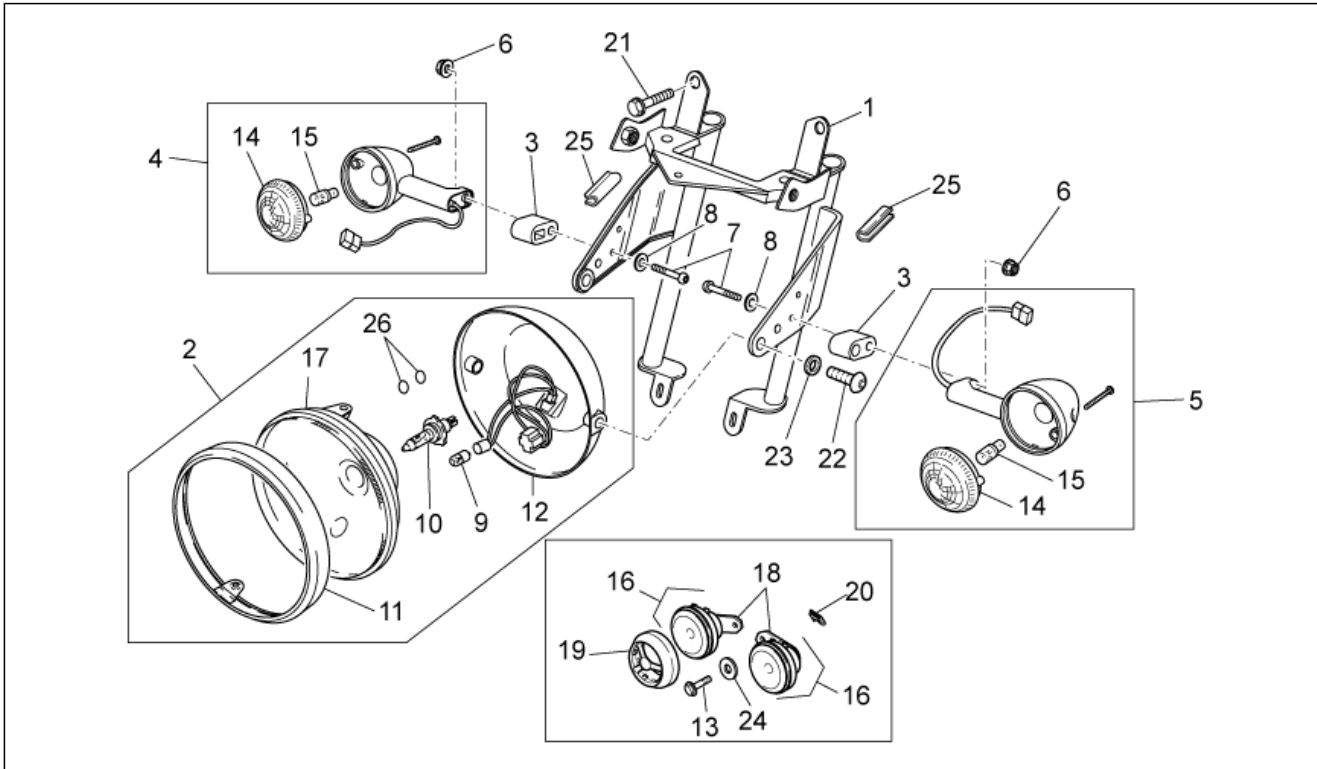
Pos.	Code	Description	Qty	Variants
1	883296	Rear brake caliper Brembo	1	
2	GU31654681	Pads pair	1	
3	GU326358601	Brake hanger plate	1	
4	GU31634281	Bushing	1	
5	GU32634160	Spacer	1	
6	883180	Brake hose	1	
7	883192	Switch	1	
8	AP8113004	Washer 10x14x1,6*	4	
9	GU97202435	screw	2	
10	AP8152299	Self-locking nut M6	2	
11	GU31659181	Pins+spring kit	1	
12	GU31659281	Bleeder+cap	1	
13	AP8152300	Self-locking nut M8	2	
14	GU03658430	Hose clamp	1	
15	GU96451316	Stud bolt	1	
16	GU03658201	Ring	2	
17	GU03658330	Hose clamp	1	
18	GU98257410	screw	1	
19	GU92630104	Nut M4x0,7	1	
20	978323	Oil pipe screw *	1	
21	GU95008306	Washer 6,4x12x1,2	2	
22	GU03270300	Washer 8,4x15	1	

Group	FRAME
Code	33.28
Description	Front lights
Service	1



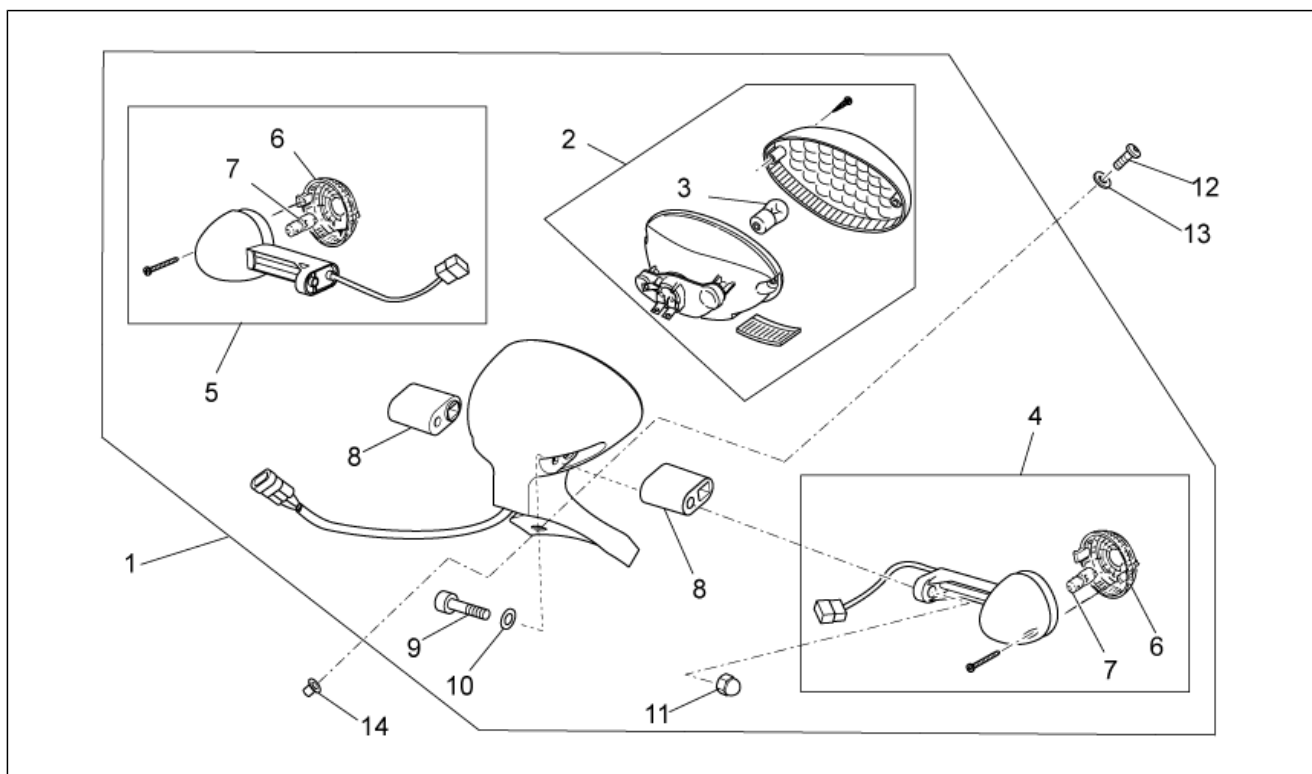
Pos.	Code	Description	Qty	Variants
1	GU32506360	Headlight support clamp	1	
2	978311	Headlight	1	Country:Canadian[CA], europe[EU], USA[USA]
2	978662	Cpl headlightsteering headligh	1	Country:Australia[AA], Japan[J], Great Britain[UK]
3	GU32753410	Spacer	2	
4	GU32750660	RH front/LH rear turn indic.	1	Country:Australia[AA], europe[EU], Japan[J], Great Britain[UK]
4	GU32750661	RH front/LH rear turn indic.	1	Country:Canadian[CA], USA[USA]
5	883478	LH front/RH rear turn indic.	1	Country:Canadian[CA], USA[USA]
5	GU06751600	LH front/RH rear turn indic.	1	Country:Australia[AA], europe[EU], Japan[J], Great Britain[UK]
6	GU92787006	Cap nut M6x1	2	
7	GU98370655	Hex socket screw	2	
8	GU95021206	Washer	2	
9	292022	Lamp 12V-5W	1	
10	292723	Lamp H4 60/55W 12V	1	
11	640598	Chromed ring nut	1	
12	981149	Cap, black	1	Country:Canadian[CA], europe[EU], USA[USA]
12	GU06740200	Headlight cap, chr.	1	Country:Australia[AA], Japan[J], Great Britain[UK]
13	AP8152278	Screw w/ flange M6x16	2	
14	GU32753711	Turn indicator lens	2	Country:Canadian[CA], USA[USA]
14	GU32753760	Turn indicator lens	2	Country:Australia[AA], europe[EU], Japan[J], Great Britain[UK]
15	584332	Lamp 12V-10W	2	Country:Australia[AA], europe[EU], Japan[J], Great Britain[UK]
15	GU93450127	Lamp	2	Country:Canadian[CA], USA[USA]
16	886714	Horn	2	
17	GU06740400	Light assembly	1	Country:Canadian[CA], europe[EU], USA[USA]
18	GU01744200	Bracket	6	
19	GU03744760	Horn mask	2	

Group	FRAME
Code	33.28
Description	Front lights
Service	1



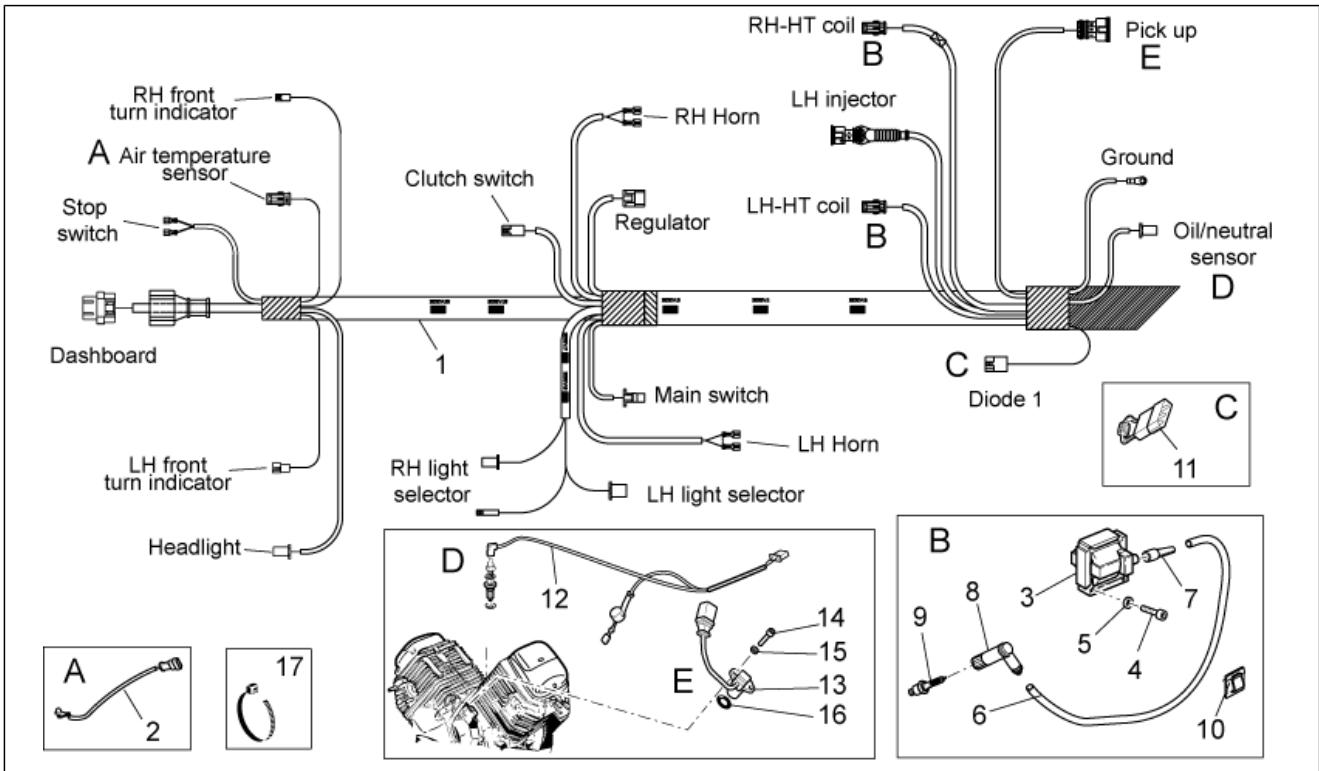
Pos.	Code	Description	Qty	Variants
20	GU28576591	Clip M6	2	
21	GU98880540	screw M10x40	2	
22	GU98370831	Hex socket screw M8x30	2	
23	GU95005308	Washer 8,4x14,57x1,6	2	
24	GU95100141	Washer 6,4x12x1,2	2	
25	GU00823931055	Gasket	1	
26	883417	O-ring	2	

Group	FRAME
Code	33.29
Description	Rear lights
Service	1



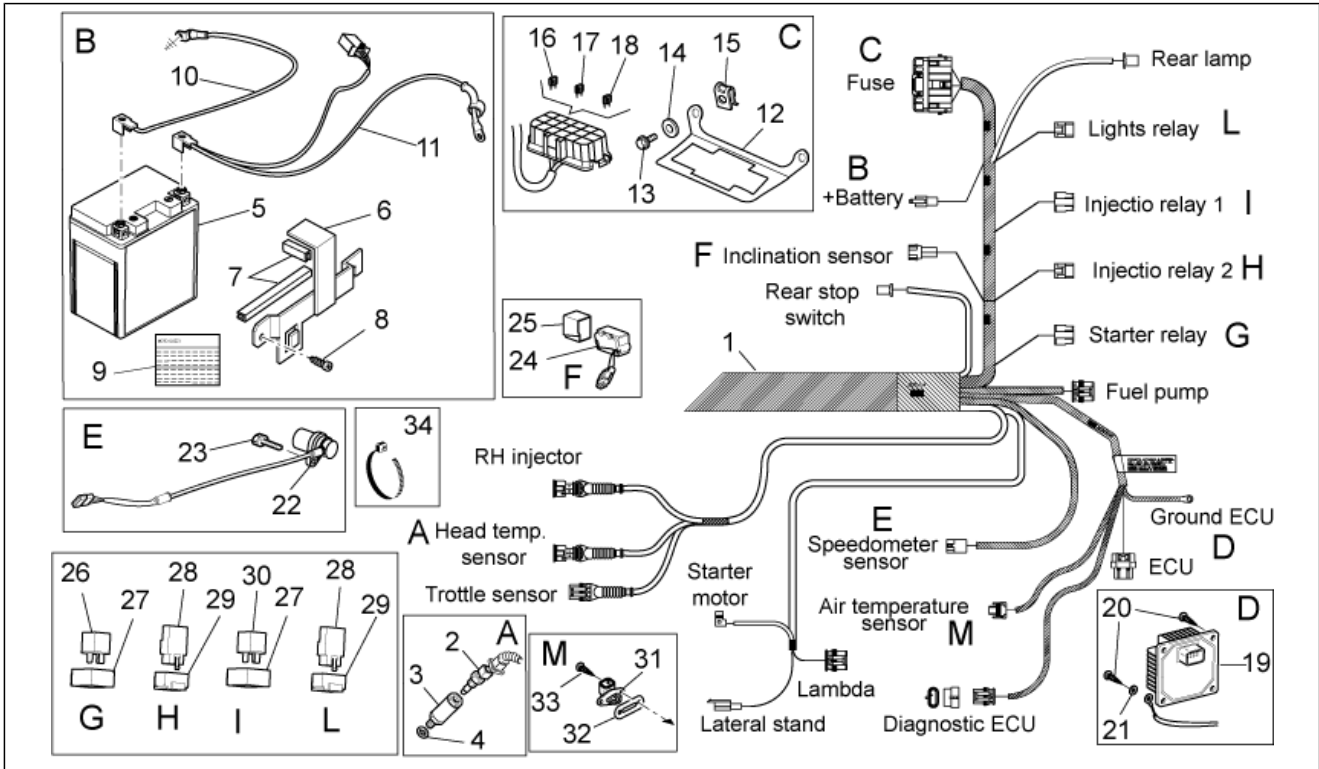
Pos.	Code	Description	Qty	Variants
1	883479	Taillight assy	1	Country:Canadian[CA], USA[USA]
1	97895015	Taillight assy	1	Year:2010[A], 2011[b] Country:Australia[AA], europe[EU], Japan[J], Great Britain[UK]
2	GU03740930	Taillight	1	
3	GU93450224	Lamp	1	
4	GU32750660	RH front/LH rear turn indic.	1	Year:2010[A], 2011[b] Country:Australia[AA], europe[EU], Japan[J], Great Britain[UK]
4	GU32750661	RH front/LH rear turn indic.	1	Country:Canadian[CA], USA[USA]
5	883478	LH front/RH rear turn indic.	1	Country:Canadian[CA], USA[USA]
5	GU06751600	LH front/RH rear turn indic.	1	Year:2010[A], 2011[b] Country:Australia[AA], europe[EU], Japan[J], Great Britain[UK]
6	B063735	Turn indicator lens	1	Year:2012[c] Country:Australia[AA], europe[EU], Japan[J], Great Britain[UK]
6	GU32753711	Turn indicator lens	2	Country:Canadian[CA], USA[USA]
6	GU32753760	Turn indicator lens	2	Year:2010[A], 2011[b] Country:Australia[AA], europe[EU], Japan[J], Great Britain[UK]
7	584332	Lamp 12V-10W	2	Country:Australia[AA], europe[EU], Japan[J], Great Britain[UK]
7	GU93450127	Lamp	2	Country:Canadian[CA], USA[USA]
8	GU32753410	Spacer	2	
9	GU98370655	Hex socket screw	2	
10	GU95021206	Washer	2	
11	GU92787006	Cap nut M6x1	2	
12	GU98350215	Hex socket screw	3	
13	GU30577800	Nylon washer 5,5X12X1	3	
14	GU93231605	Antivibration bush	3	

Group	FRAME
Code	33.30
Description	Electrical system I
Service	1



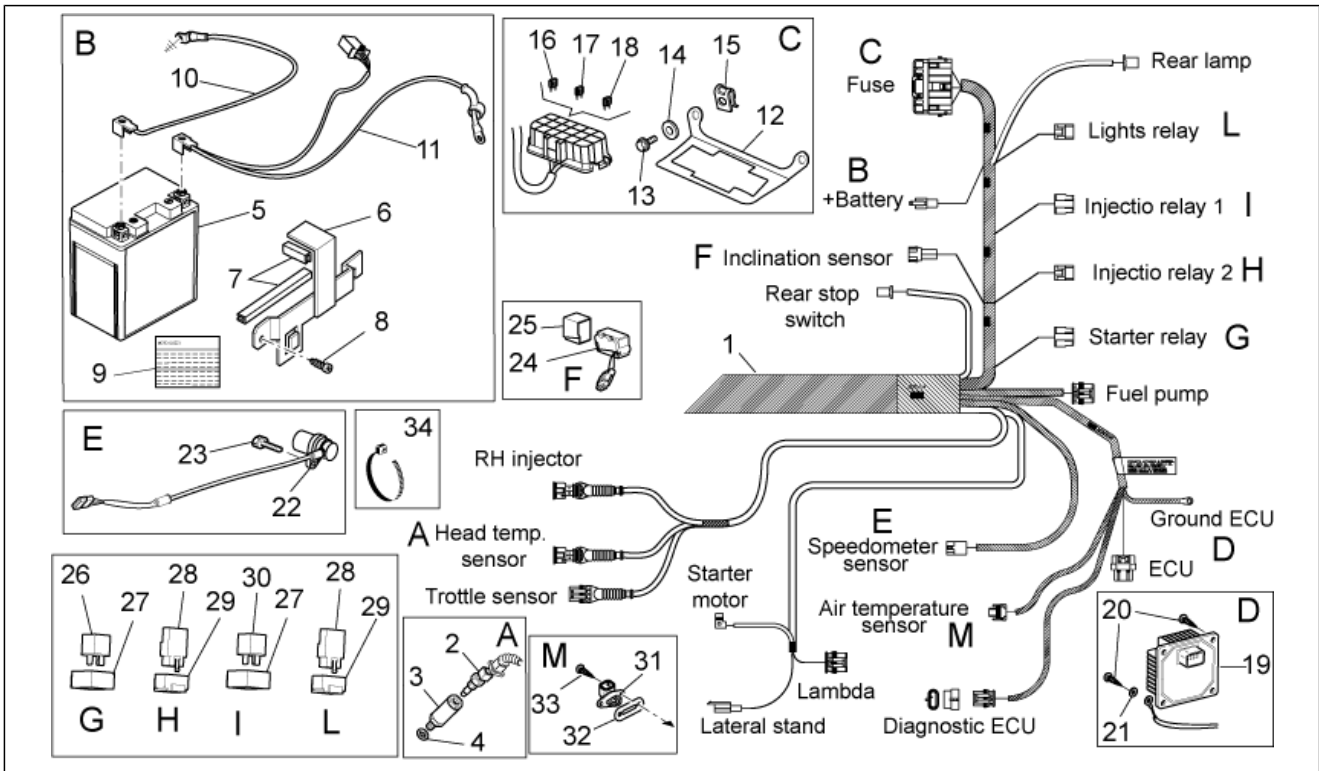
Pos.	Code	Description	Qty	Variants
1	883077	Main wiring harness	1	
2	AP8124936	Air temp. Sensor	1	
3	GU30716500	HT coil	2	
4	GU98682125	Hex socket screw	4	
5	GU95008204	Washer 4,3x8x0,5	4	
6	GU01718330	HT wire	2	
7	GU14717600	Cap	2	
8	GU01717430	Sparkplug cap	2	
9	GU31717061	Spark plug NGK BR8ES	2	
10	AP8120708	Cable-guide	6	
11	AP8212588	Diode	1	
12	GU32724510	Oil-neutral gear harness	1	
13	GU01721600	Phase/revolution sensor	1	
14	GU98682212	Hex socket screw M5x12	2	
15	GU95008205	Washer 5,3x10x0,8	2	
16	GU90706141	O-ring	1	
17	GU14609650	Hose clamp 3,6x20,6	31	
17	GU49609601	Hose clamp 2,4x92	1	

Group	FRAME
Code	33.31
Description	Electrical system II
Service	1



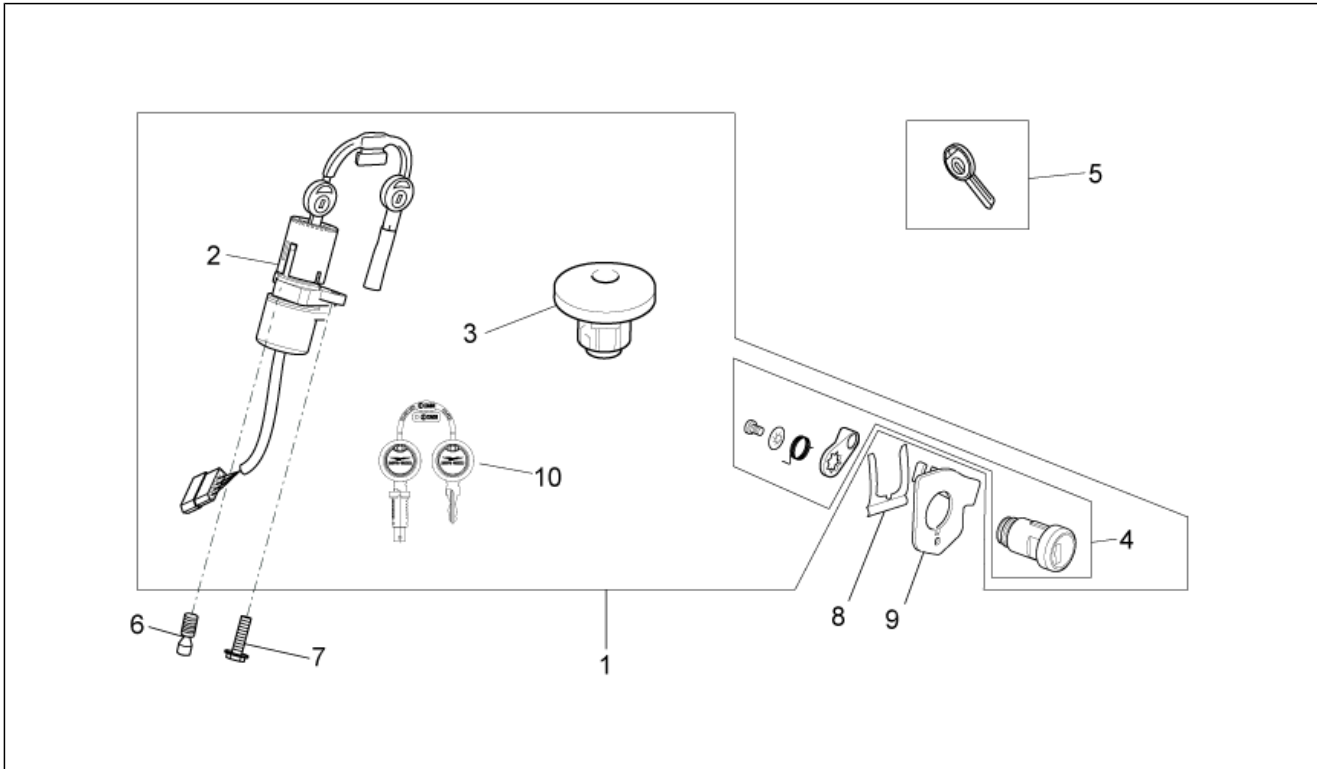
Pos.	Code	Description	Qty	Variants
1	883077	Main wiring harness	1	
2	GU29729461	Oil temperature sensor	1	
3	GU03163330	Sensor support	1	
4	GU95004210	Washer 10,2x18x2	1	
5	640201	Battery	1	
6	GU32418210	Bracket	1	
7	AP8144538	Gasket	1	
8	AP8152329	Phillips screw, SWP M5x20	2	
9	GU32517710	Decal "Battery service"	1	
10	GU32747910	Ground-battery lead	1	
11	883191	Wiring	1	
12	883161	Fuse block support	1	
13	GU98682212	Hex socket screw M5x12	2	
14	GU95100059	Washer 5,25x14x1,5	2	
15	AP8102375	Clip m5	2	
16	290860	Fuse 15A	3	
17	AP8127346	Fuse 3A	1	
18	GU28742562	Fuse 30A	2	
19	883798	ECU	1	Country:Australia[AA], europe[EU], Great Britain[UK]
19	CM2271024	ECU	1	Country:Japan[J]
20	AP8152329	Phillips screw, SWP M5x20	4	
21	GU95129101	Washer	1	
22	AP8124528	Speedometer sensor cpl.	1	
23	AP8152277	Screw w/ flange M6x12	2	
24	584509	Fall sensor	1	
25	AP8144046	Rubber sensor support	1	
26	GU29732550	Relay 5 pin	1	
27	AP8220546	Relay rubber	2	

Group	FRAME
Code	33.31
Description	Electrical system II
Service	1



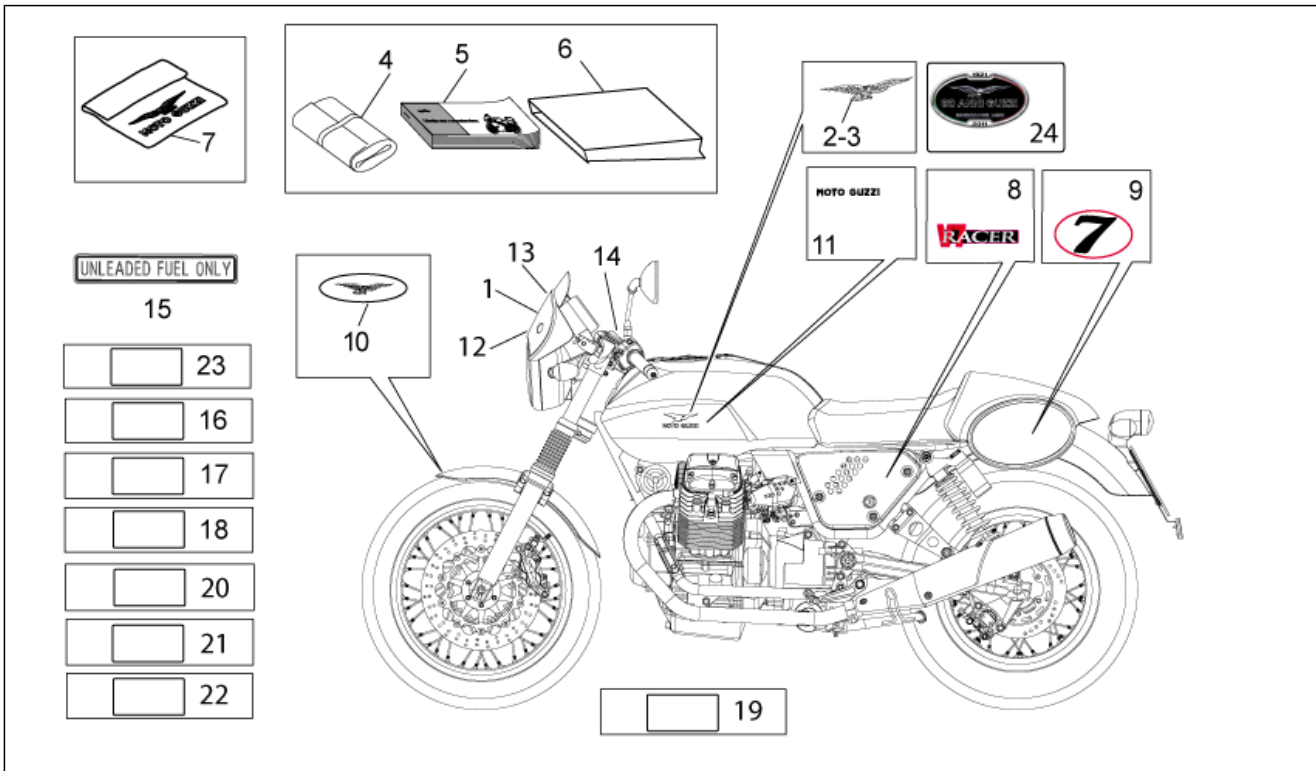
Pos.	Code	Description	Qty	Variants
28	AP8124869	Injection relay	2	
29	AP8220283	Rubber spacer *	2	
30	AP8224462	Relay 12V/30A	1	
31	GU30729330	Air temp. Sensor	1	
32	GU30027931	Gasket	1	
33	AP8150421	Self-tap screw 2,9x12	2	
34	GU14609650	Hose clamp 3,6x20,6	31	
34	GU49609601	Hose clamp 2,4x92	1	

Group	FRAME
Code	33.32
Description	Lock hardware kit
Service	1



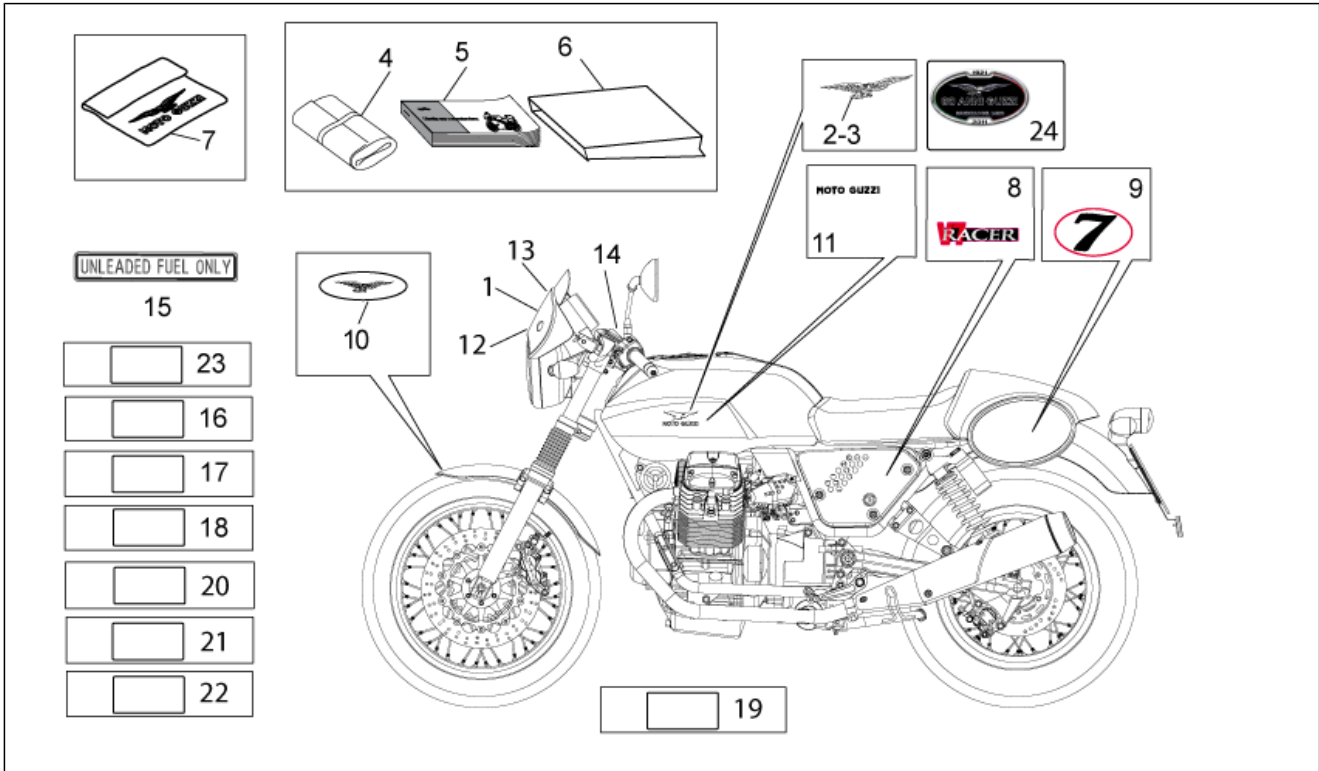
Pos.	Code	Description	Qty	Variants
1	883182	Lock kit	1	Year:2010[A], 2011[b] Country:Australia[AA], europe[EU], Japan[J], Great Britain[UK]
1	883477	Lock kit	1	Year:2010[A], 2011[b] Country:Canadian[CA], USA[USA]
1	887989	Lock kit	1	Year:2012[c] Country:Canadian[CA], USA[USA]
2	GU32103961	Tank cap	1	Year:2012[c] Country:Canadian[CA], USA[USA]
2	GU32782510	Main switch - steering lock	1	
3	883476	Tank cap	1	Year:2010[A], 2011[b] Country:Canadian[CA], USA[USA]
3	887874	Tank cap	1	Year:2010[A], 2011[b] Country:Australia[AA], europe[EU], Japan[J], Great Britain[UK]
4	977527	Serratura completa di chiavi	1	
5	GU32735510	Non indent.key blank-shell go	1	
5	GU32735511	Non indent.key blank-shell cr	1	
6	AP8150349	Special screw M8x15	1	
7	GU98682416	Hex socket screw M8x16	1	
8	AP8121420	Fork spring	1	
9	978415	Cable fixing plate	1	
10	2D000006	Cilindretto serratura con chiave per tappo benzina	1	

Group	FRAME
Code	33.33
Description	Decal and plate set
Service	1



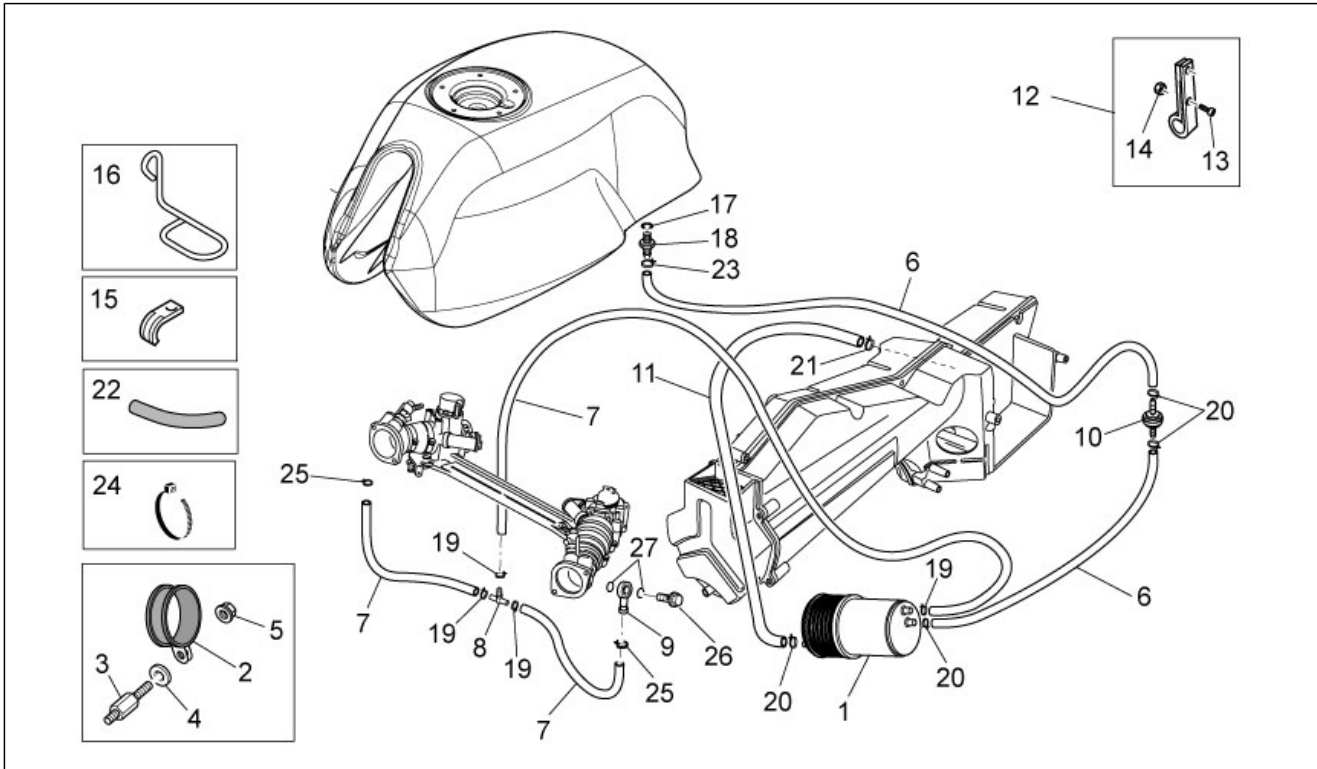
Pos.	Code	Description	Qty	Variants
1	886639	Windshield decal "7"	1	
2	898174	Sticker RH "Aquila"	1	
3	886678	Sticker LH "Aquila"	1	
4	GU32909960	Toolkit	2	
5	886709	Operator's handbook	1	Year:2010[A], 2011[b] Country:Australia[AA], europe[EU], Japan[J], Great Britain[UK]
5	887206	Op's handbook I-D-F-E-UK-NL usa-can-	1	Country:Canadian[CA], USA[USA]
6	GU05900130	Bag for document	1	
7	GU30970200	Bike cover	1	
8	886643	Plate set V7 Racer	2	
9	886640	Rear fairing decal	2	
10	886141	Decal "Aquila"	1	
11	886825	Decal "Moto Guzzi"	1	
12	886638	Red line sticker	1	
13	886637	Red line sticker	1	
14	886644	Plate set "RACER"	1	
15	GU03995730	Decal "Unleaded Fuelonly"	1	Country:Australia[AA], Canadian[CA], USA[USA]
16	AP8257742	Keys warning decal	1	Country:Canadian[CA], USA[USA]
17	AP8257794	Battery decal	1	Country:Canadian[CA], USA[USA]
18	AP8257609	Mirror decal	2	Country:Canadian[CA], USA[USA]
19	883930	Tyre pressure decal	1	Country:Canadian[CA], USA[USA]
20	883911	Noise emission sticker	1	Year:2011[b] Country:Canadian[CA], USA[USA]
20	884198	Noise emission sticker	1	Year:2012[c]
21	883912	Emission control sticker	1	Year:2011[b] Country:Canadian[CA], USA[USA]
21	884199	Emission control sticker	1	Year:2012[c]
22	883913	Shed scheme decal	1	Year:2011[b]

Group	FRAME
Code	33.33
Description	Decal and plate set
Service	1



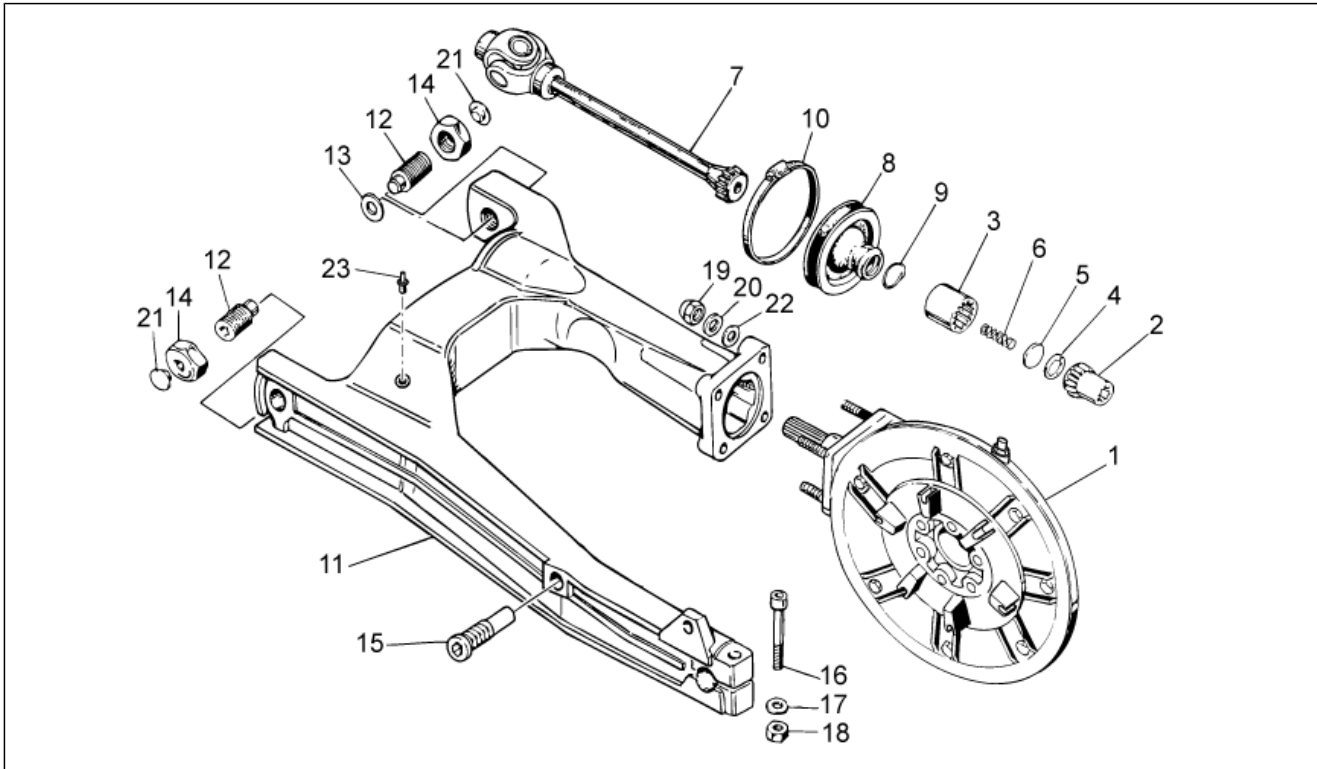
Pos.	Code	Description	Qty	Variants
				Country:Canadian[CA], USA[USA]
22	884200	Shed scheme decal	1	Year:2012[c]
23	672381	Name plate ices-002	1	Country:Canadian[CA]
24	886944	Decal "90 Anni Guzzi"	1	

Group	FRAME
Code	33.51
Description	Fuel vapour recover system
Service	1



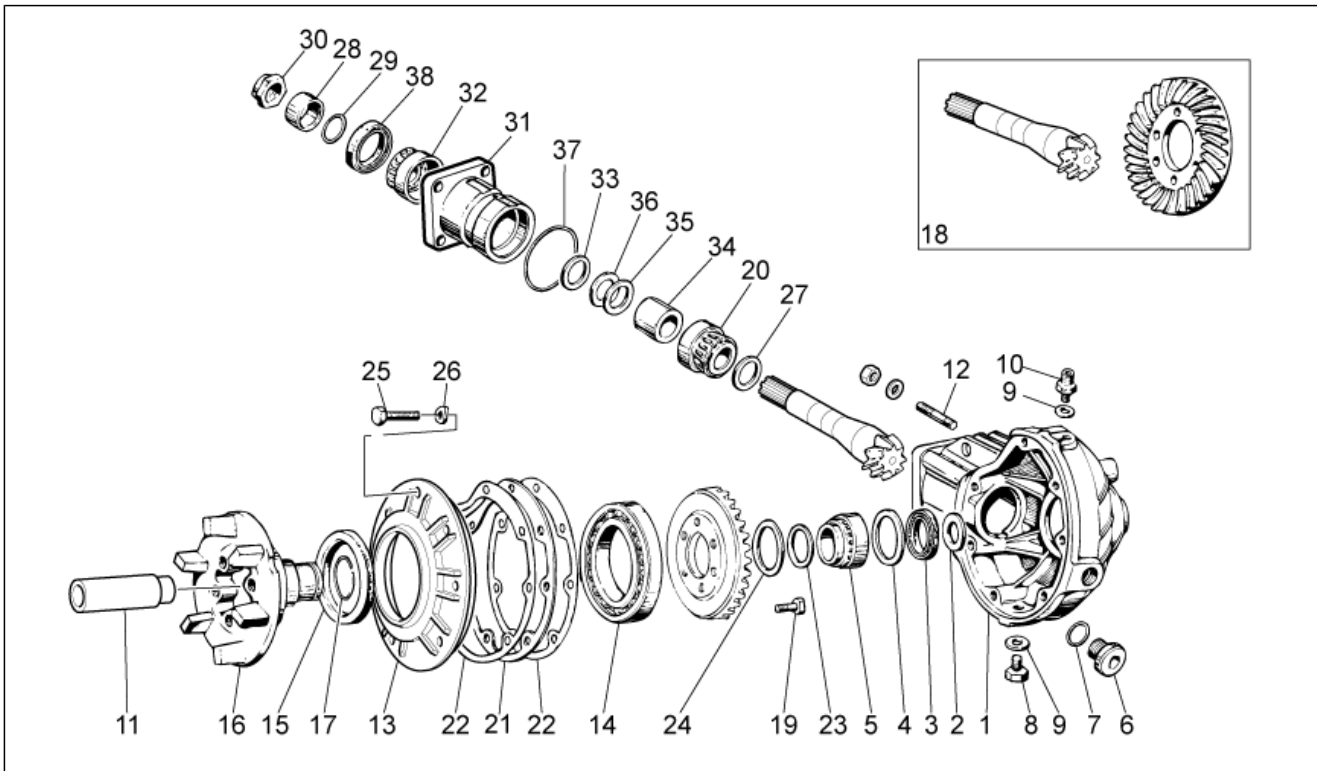
Pos.	Code	Description	Qty	Variants
1	AP8102678	Carbon filter	1	Country:Canadian[CA], USA[USA]
2	AP8102688	Hose clamp d.76	1	Country:Canadian[CA], USA[USA]
3	GU32439260	Canister support USA	1	Country:Canadian[CA], USA[USA]
4	GU95005311	Washer	1	Country:Canadian[CA], USA[USA]
5	AP8152299	Self-locking nut M6	1	Country:Canadian[CA], USA[USA]
6	856063	pipe SAE 30 d.12,7x6,35	2	Country:Canadian[CA], USA[USA]
7	856062	pipe SAE 30 d.11,11x4,8	3	Country:Canadian[CA], USA[USA]
8	AP8120116	3-way union	1	Country:Canadian[CA], USA[USA]
9	GU95963062	Joint	2	Country:Canadian[CA], USA[USA]
10	860138	Valve	1	Country:Canadian[CA], USA[USA]
11	856064	pipe SAE 30 d.14,3x7,9	1	Country:Canadian[CA], USA[USA]
12	GU03658330	Hose clamp	1	Country:Canadian[CA], USA[USA]
13	GU98257410	screw	1	Country:Canadian[CA], USA[USA]
14	GU92630104	Nut M4x0,7	1	Country:Canadian[CA], USA[USA]
15	GU93301313	U-bolt	1	Country:Canadian[CA], USA[USA]
16	AP8221114	Cable-guide	2	Country:Canadian[CA], USA[USA]
17	AP8120965	O-ring 2018	1	Country:Canadian[CA], USA[USA]
18	GU30103730	Joint	1	Country:Canadian[CA], USA[USA]
19	GU29108550	Hose clip 11,5x6	6	Country:Canadian[CA], USA[USA]
20	GU28157950	Hose clip 12,5x8	5	Country:Canadian[CA], USA[USA]
21	AP8102766	Hose clamp	1	Country:Canadian[CA], USA[USA]
22	GU00823923140	Thermal sheath	4	Country:Canadian[CA], USA[USA]
23	AP8201358	Hose clamp D 11,9	1	Country:Canadian[CA], USA[USA]
24	GU14609650	Hose clamp 3,6x20,6	3	Country:Canadian[CA], USA[USA]
25	AP8102378	Hose clamp D11,3	2	Country:Canadian[CA], USA[USA]
26	GU95990023	Bored screw	2	Country:Canadian[CA], USA[USA]
27	GU90706009	O-ring 6x1	4	Country:Canadian[CA], USA[USA]

Group	ENGINE
Code	34.09
Description	Transmission complete I
Service	1



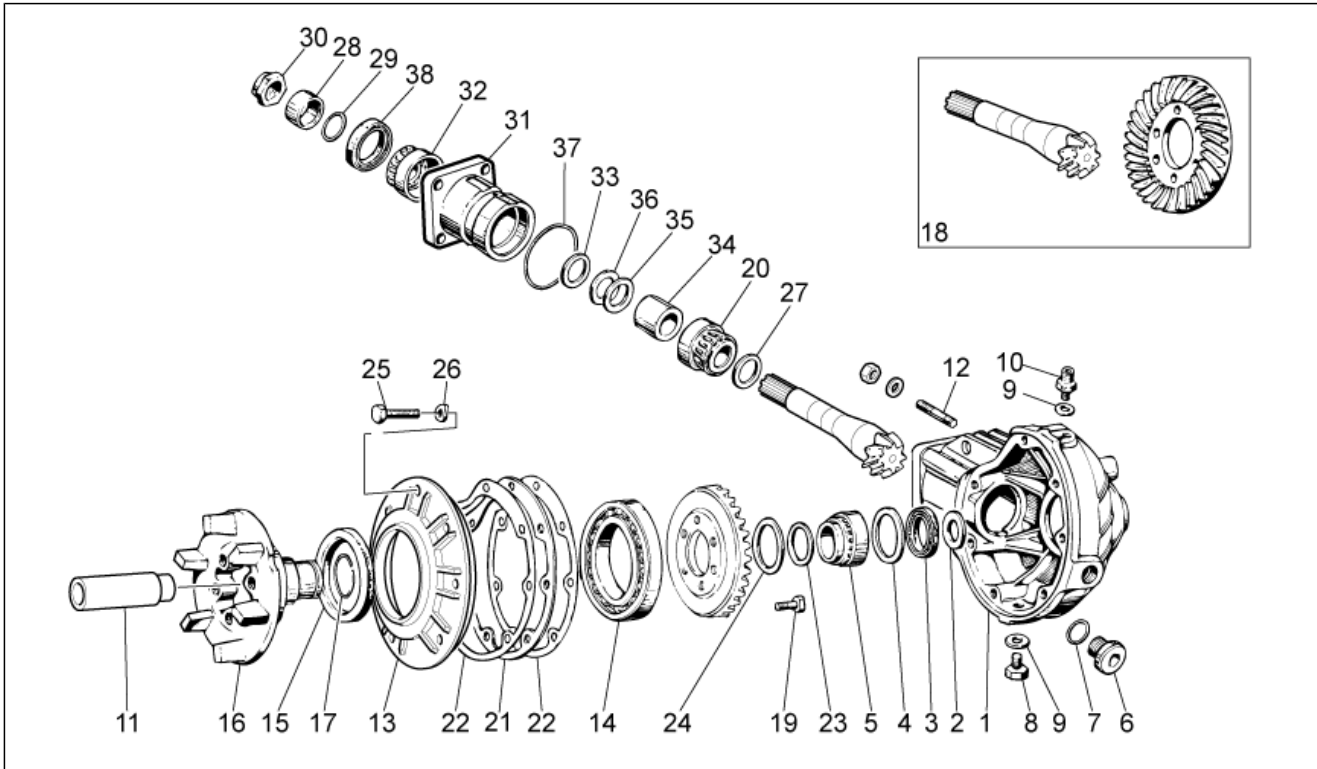
Pos.	Code	Description	Qty	Variants
1	976941	Transmission box assy., black	1	
2	GU31327783	Hose	1	
3	GU19328801	Hose	1	
4	GU90272023	Circlip	1	
5	GU19327601	Disc	1	
6	GU94321099	Spring	1	
7	GU23328081	Coupling	1	
8	GU23548080	Protection collar	1	
9	GU23548180	Spring	1	
10	AP8120246	Hose clamp D=60-80	1	
11	886676	Swing arm, red	1	
12	GU19547000	Pin	2	
13	GU35214300	Spacer	1	
14	GU31547882	Nut	2	
15	GU31544181	Pin	1	
16	GU98680545	screw M10x45	1	
17	GU95008210	Washer 10,2X18X2	1	
18	GU92606210	Nut M10x1,5	1	
19	GU92787008	Cap nut M8x1,25	4	
20	GU14615901	Washer 8,4X13X0,8	4	
21	GU93180105	Cover	2	
22	GU95005308	Washer 8,4x14,57x1,6	4	
23	GU03922280	Cover 5x9	1	

Group	ENGINE
Code	34.10
Description	Transmission complete II
Service	1



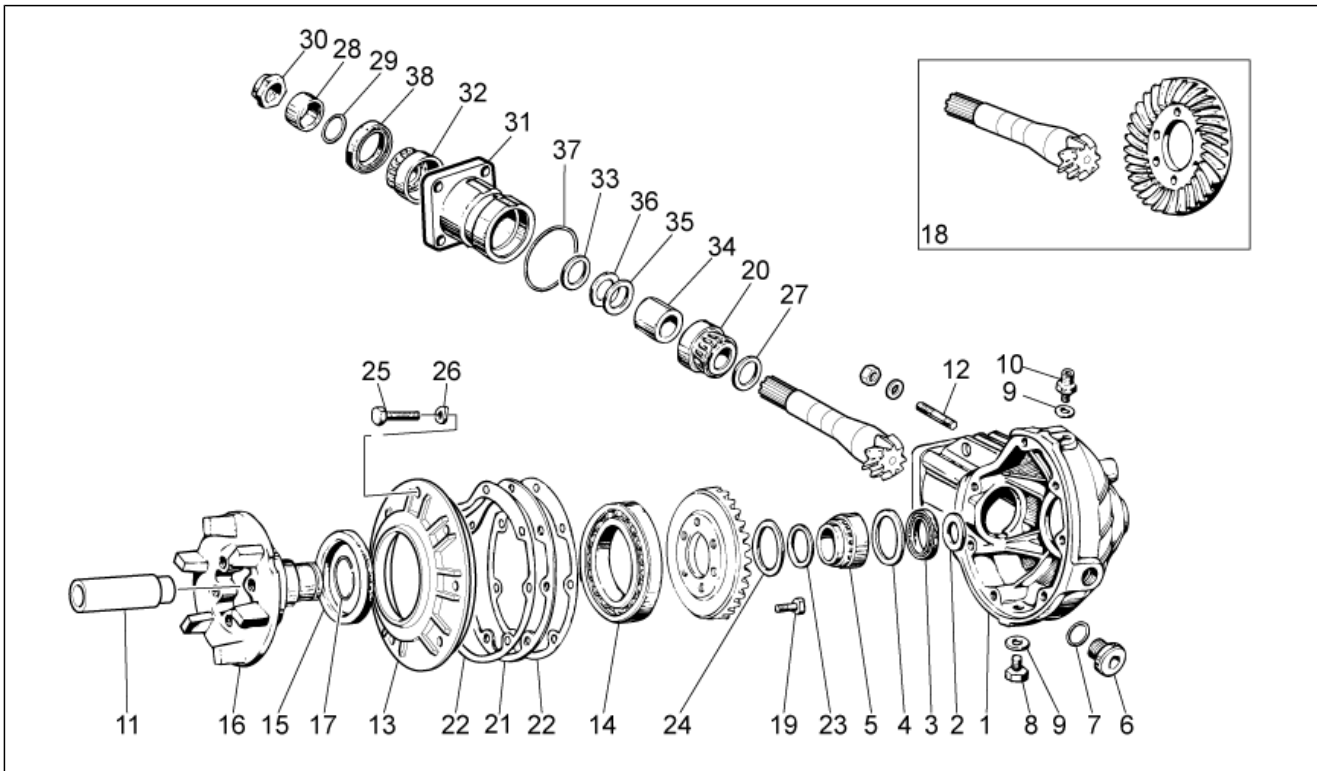
Pos.	Code	Description	Qty	Variants
1	976608	Transmission housingblack	1	
2	GU19351900	Clearance washer	1	
3	GU90403549	Gasket ring 35x47x7	1	
4	GU19351100	Clearance washer	1	
5	GU92252235	Roller bearing 35x50x17	1	
6	GU12022600	Oil plug	1	
7	GU90706203	O-ring 20,24x2,62	1	
8	GU31003766	Oil unload plug M10x1	1	
9	GU01528930	Gasket 10x18x1,5	2	
10	GU19206501	Breather plug	1	
11	GU32633560	Spacer	1	
12	GU96508055	Stud bolt	4	
13	GU32350410	Cover	1	
14	GU92201070	Ball bearing 70x110x13	1	
15	GU90407591	Gasket ring 75x95x10	1	
16	GU32351410	Pin	1	
17	GU90353030	Stop ring	1	
18	GU32354610	Bevel gear 8/33	1	
19	GU03067730	screw M8x25	6	
20	GU92249227	Tap.roller bearing 25x5	1	
21	GU19355400	Spacer 0,8 mm	1	
21	GU19355402	Spacer 0,9 mm	1	
21	GU19355404	Spacer 1 mm	1	
21	GU19355406	Spacer 1,1 mm	1	
21	GU19355408	Spacer 1,2 mm	1	
21	GU19355410	Spacer 1,3 mm	1	
21	GU19355411	Spacer 1,4 mm	1	
21	GU19355412	Spacer 1,5 mm	1	

Group	ENGINE
Code	34.10
Description	Transmission complete II
Service	1



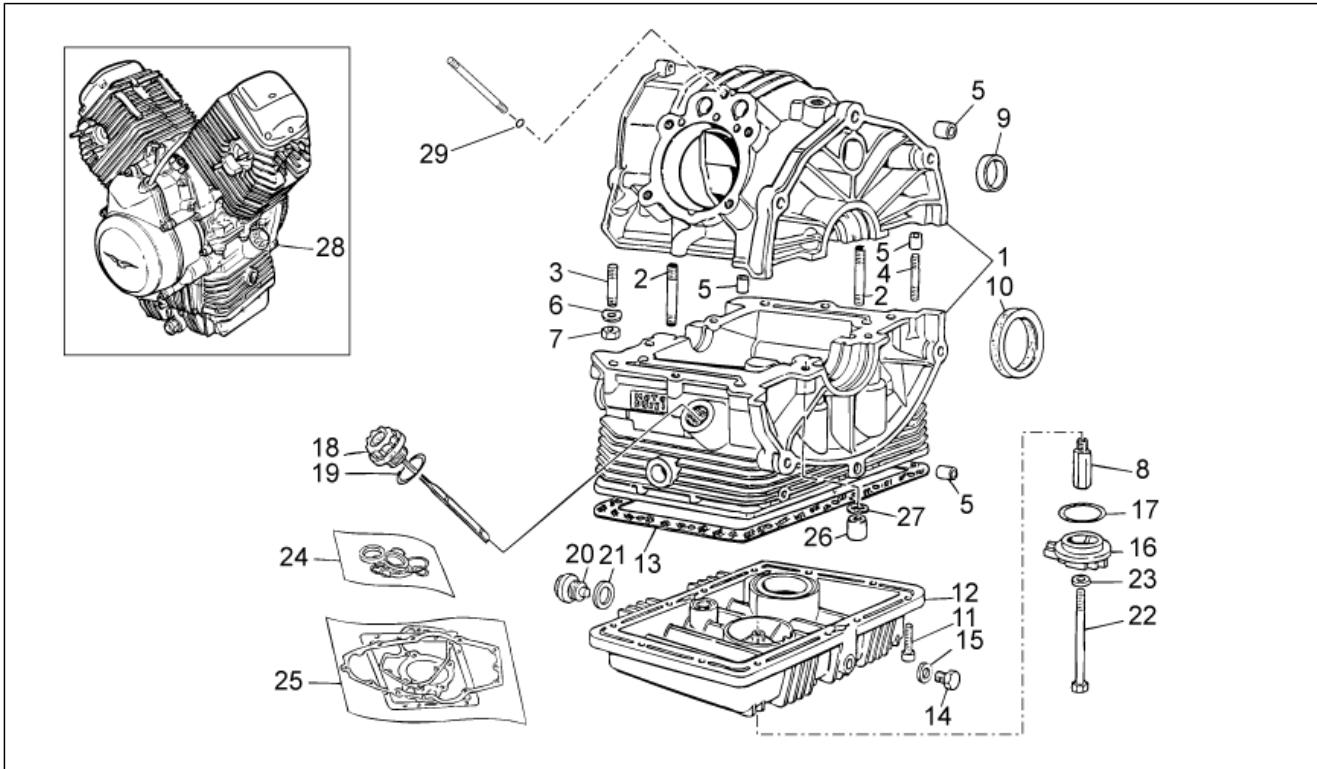
Pos.	Code	Description	Qty	Variants
21	GU19355413	Spacer 1,6 mm	1	
22	GU19350700	Gasket	2	
23	GU19352300	Thrust washer	1	
24	GU19353500	Thrust washer	1	
25	GU19357660	screw	7	
26	GU61270300	Spring washer 8x15x0,3	7	
27	GU19355320	Spacer 1 mm	1	
27	GU19355321	Spacer 1,1 mm	1	
27	GU19355322	Spacer 1,2 mm	1	
27	GU19355323	Spacer 1,3 mm	1	
27	GU19355324	Spacer 1,4 mm	1	
27	GU19355325	Spacer 1,5 mm	1	
27	GU19355326	Spacer 1,6 mm	1	
27	GU19355327	Spacer 1,7 mm	1	
27	GU19355328	Spacer 1,8 mm	1	
27	GU19355329	Spacer 1,9 mm	1	
28	GU19356801	Spacer	1	
29	GU90706188	Gasket ring 18,77X1,78	1	
30	GU19356700	Nut	1	
31	GU20352421	Flange	1	
32	GU92249220	Roller bearing 20x47x14	1	
33	GU19355300	Spacer 1 mm	1	
33	GU19355301	Spacer 1,1 mm	1	
33	GU19355302	Spacer 1,2 mm	1	
33	GU19355303	Spacer 1,3 mm	1	
33	GU19355304	Spacer 1,4 mm	1	
33	GU19355305	Spacer 1,5 mm	1	
33	GU19355306	Spacer 1,6 mm	1	

Group	ENGINE
Code	34.10
Description	Transmission complete II
Service	1



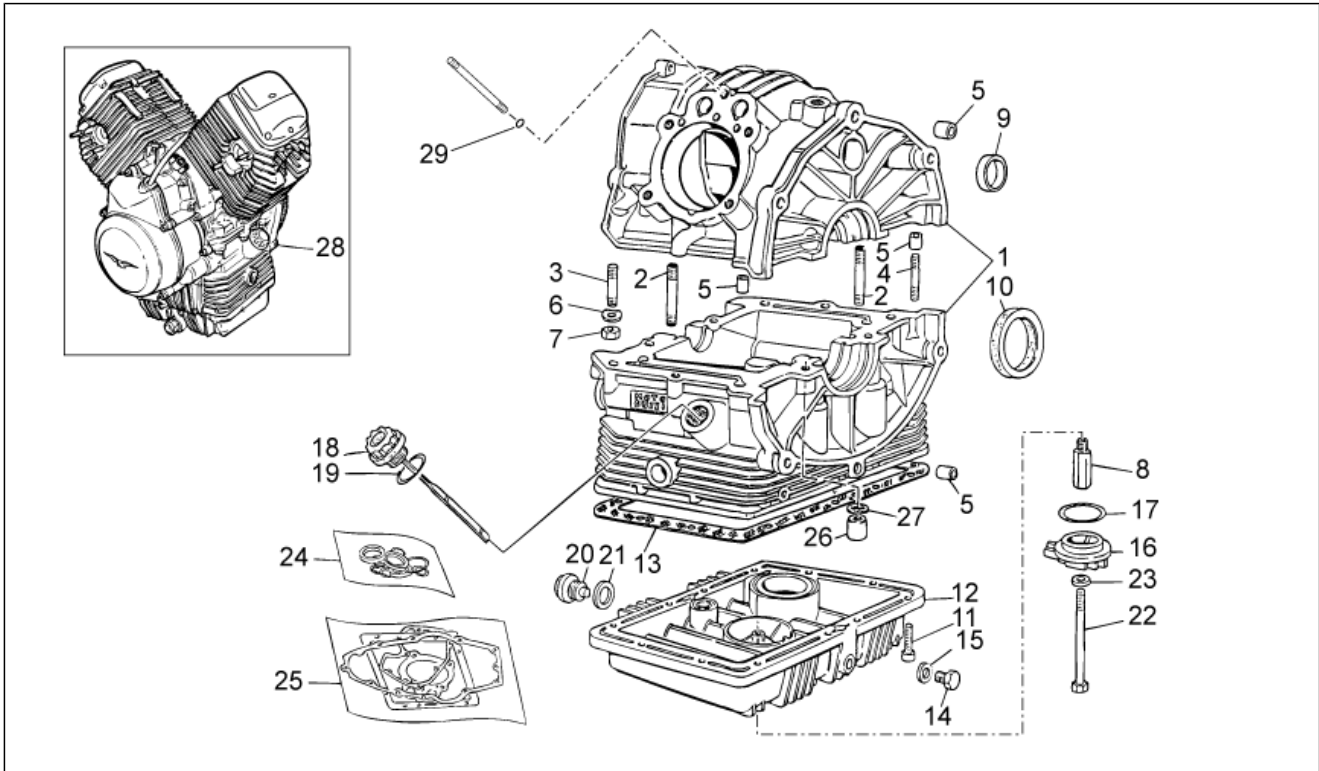
Pos.	Code	Description	Qty	Variants
33	GU19355307	Spacer 1,7 mm	1	
33	GU19355308	Spacer 1,8 mm	1	
33	GU19355309	Spacer 1,9 mm	1	
34	GU20355121	Spacer	1	
35	GU19355200	Shim 0,1 mm	1	
36	GU19355202	Shim 0,15 mm	1	
37	GU90706584	Gasket 58,42x2,62	1	
38	GU90403251	Gasket ring 32x47x10	1	

Group	ENGINE
Code	34.34
Description	Crank-case
Service	1



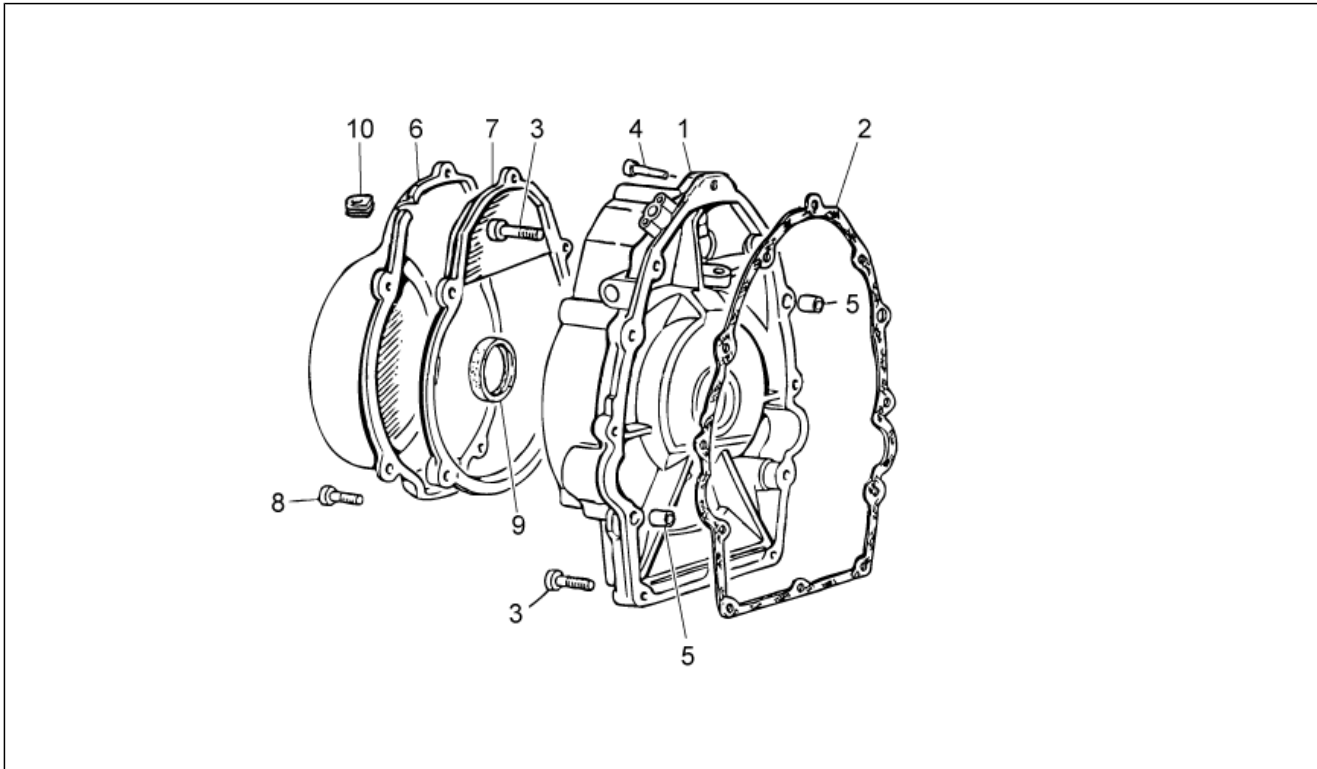
Pos.	Code	Description	Qty	Variants
1	976600	Crankcase black	1	
2	GU96451560	Stud bolt	4	
3	GU96451430	Stud bolt	4	
4	GU96508055	Stud bolt	2	
5	GU19015020	Bushing	4	
6	GU61270300	Spring washer 8x15x0,3	6	
7	GU92606208	Nut M8x1,25	6	
8	GU19003800	Joint	1	
9	GU19016320	Cover	1	
10	GU04000500	Gasket ring	1	
11	GU98682325	Hex socket screw M6x25	12	
12	976604	Oil sump black	1	
13	GU19003602	Gasket	1	
14	GU31003766	Oil unload plug M10x1	1	
15	GU10528900	Gasket	1	
16	976685	Plug	1	
17	GU90706444	O-ring	1	
18	GU27004985	Oil load plug	1	
19	GU90706281	O-ring 28,24x2,62	1	
20	GU12003702	Oil unload plug	1	
21	GU95100709	Gasket 20,1x28x2	1	
22	GU27152885	Bolt	1	
23	GU12154200	Gasket 8,25x15x1	1	
24	GU32999510	Oil seals - set	1	
25	GU32999010	Gasket set	1	
26	GU13021900	Column nut	4	
27	GU95129180	Washer 10,5X18X0,8	4	
28	976939	Engine assy w/hout transm.	1	

Group	ENGINE
Code	34.34
Description	Crank-case
Service	1



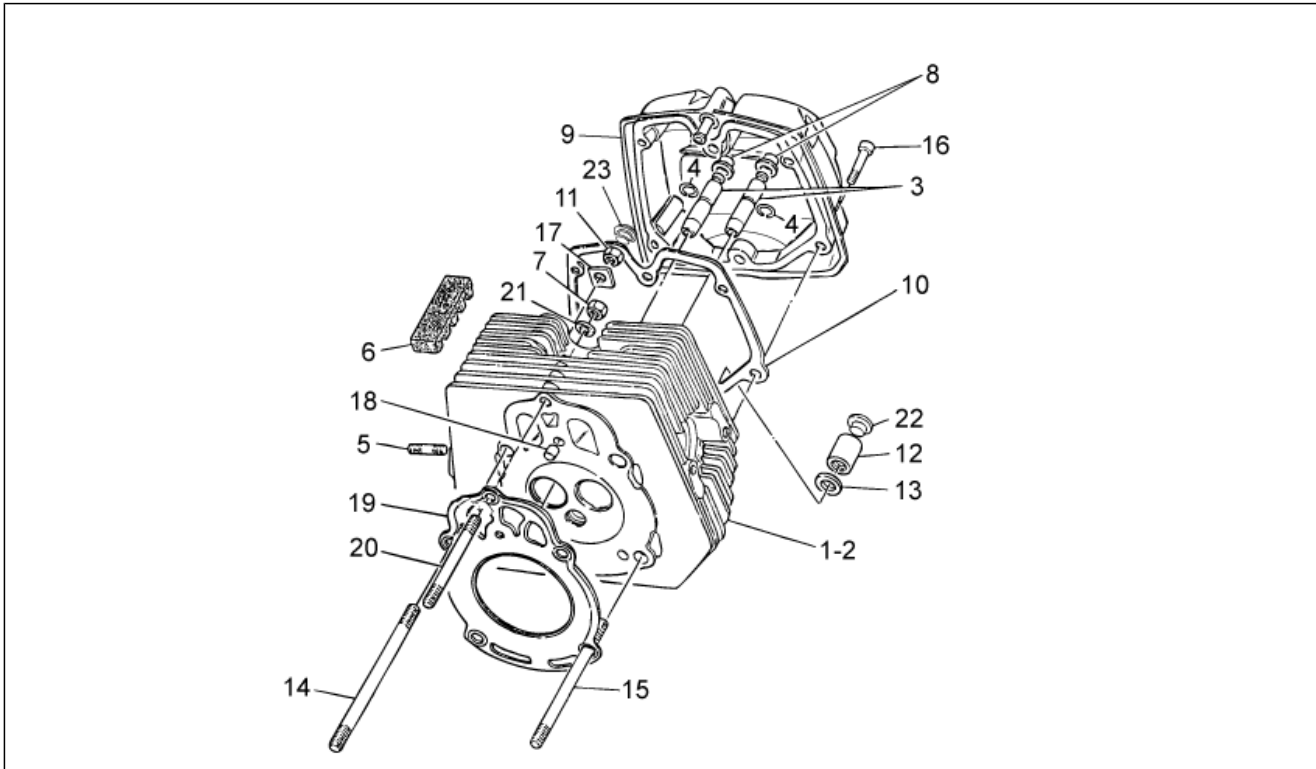
Pos.	Code	Description	Qty	Variants
29	GU90706076	O-ring	2	

Group	ENGINE
Code	34.35
Description	Timing system cover
Service	1



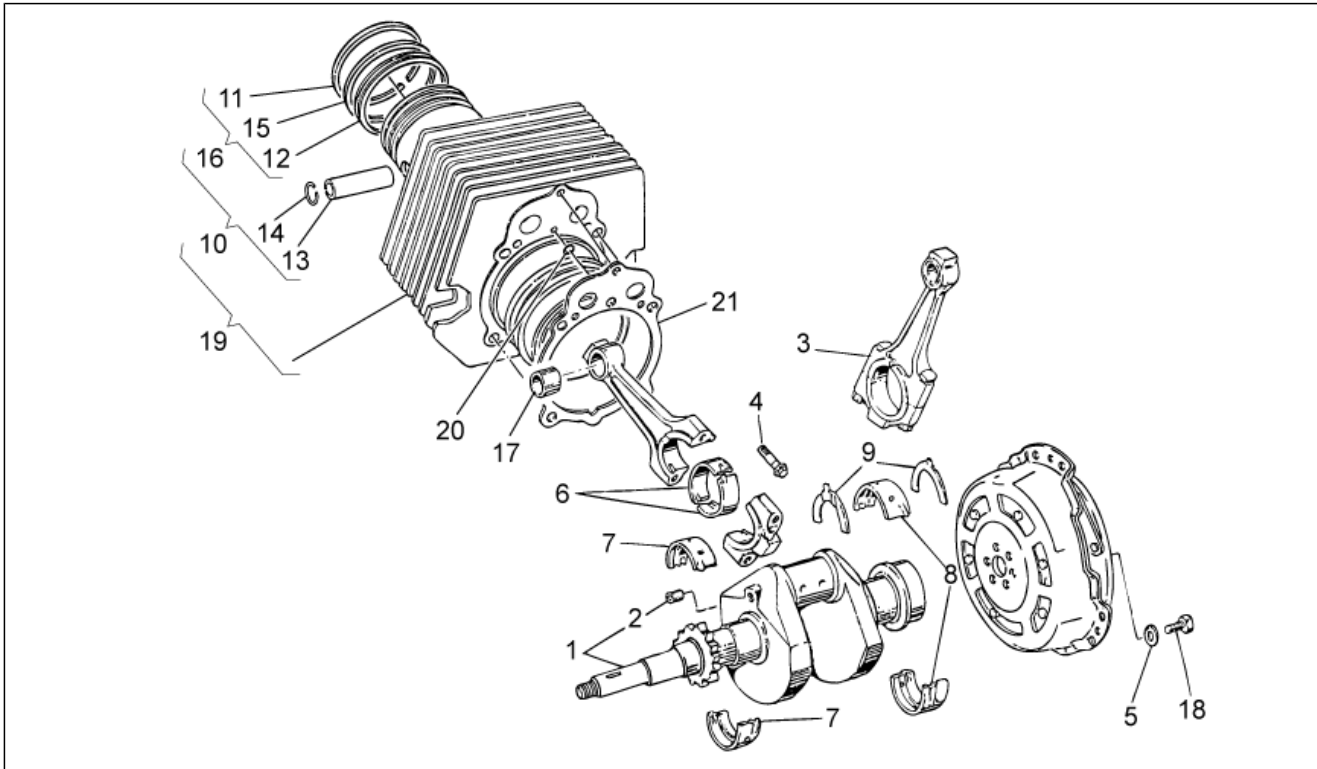
Pos.	Code	Description	Qty	Variants
1	976603	Timing cover black	1	
2	GU19001200	Gasket	1	
3	GU98682325	Hex socket screw M6x25	10	
4	GU98680330	Hex socket screw M6x30	2	
5	GU19002020	Bushing 6,6x9x13	2	
6	GU32001610	Cover	1	
7	GU27001136	Flange	1	
8	GU98680335	Hex socket screw M6x35	5	
9	GU90402842	Gasket ring	1	
10	GU19007700	Rubber spacer	1	

Group	ENGINE
Code	34.36
Description	Cylinder head
Service	1



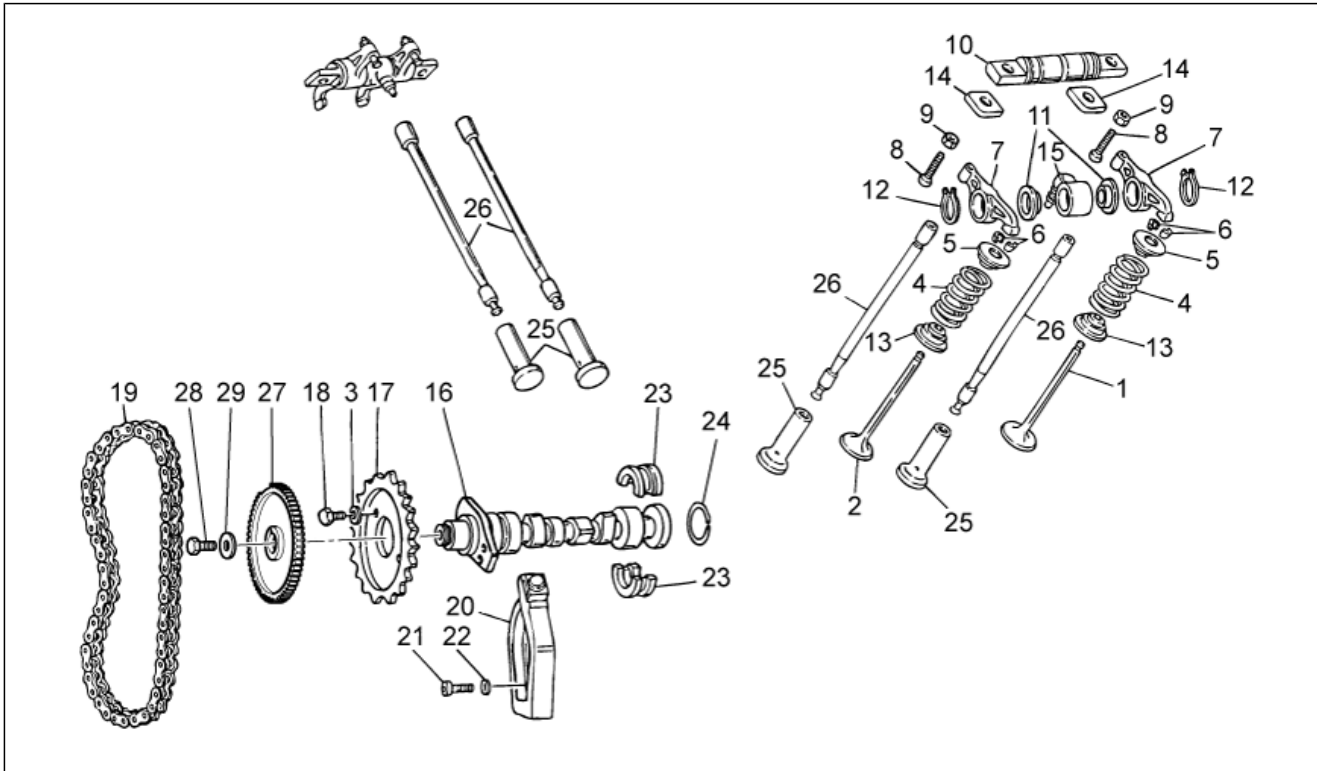
Pos.	Code	Description	Qty	Variants
1	GU32022110	RH cylinder head grey	1	
2	GU32022210	LH cylinder head grey	1	
3	GU61036801	Valve guide	4	
4	GU90353009	Snap ring	4	
5	GU96506042	Stud bolt	4	
6	GU19025300	Anti-vibration plate	4	
7	GU19021920	Nut	2	
8	GU19037820	Oil seal	4	
9	886830	Head cover	2	
10	GU19023700	Gasket	2	
11	GU92603010	Nut M10X1,5	4	
12	GU13021900	Column nut	4	
13	GU95129180	Washer 10,5X18X0,8	4	
14	GU96510214	Stud bolt M10x214	4	
15	GU96510181	Stud bolt M10x182	4	
16	GU98692325	Hex socket screw M6x25	10	
17	GU19032980	Spacer	4	
18	GU19021360	Bushing	2	
19	GU27022060	Gasket	2	
20	GU96508145	Stud bolt M8x143	2	
21	GU61270300	Spring washer 8x15x0,3	2	
22	GU93180245	Cover	4	
23	AP8144071	Rubber exhaust	1	

Group	ENGINE
Code	34.37
Description	Crankshaft cpl.
Service	1



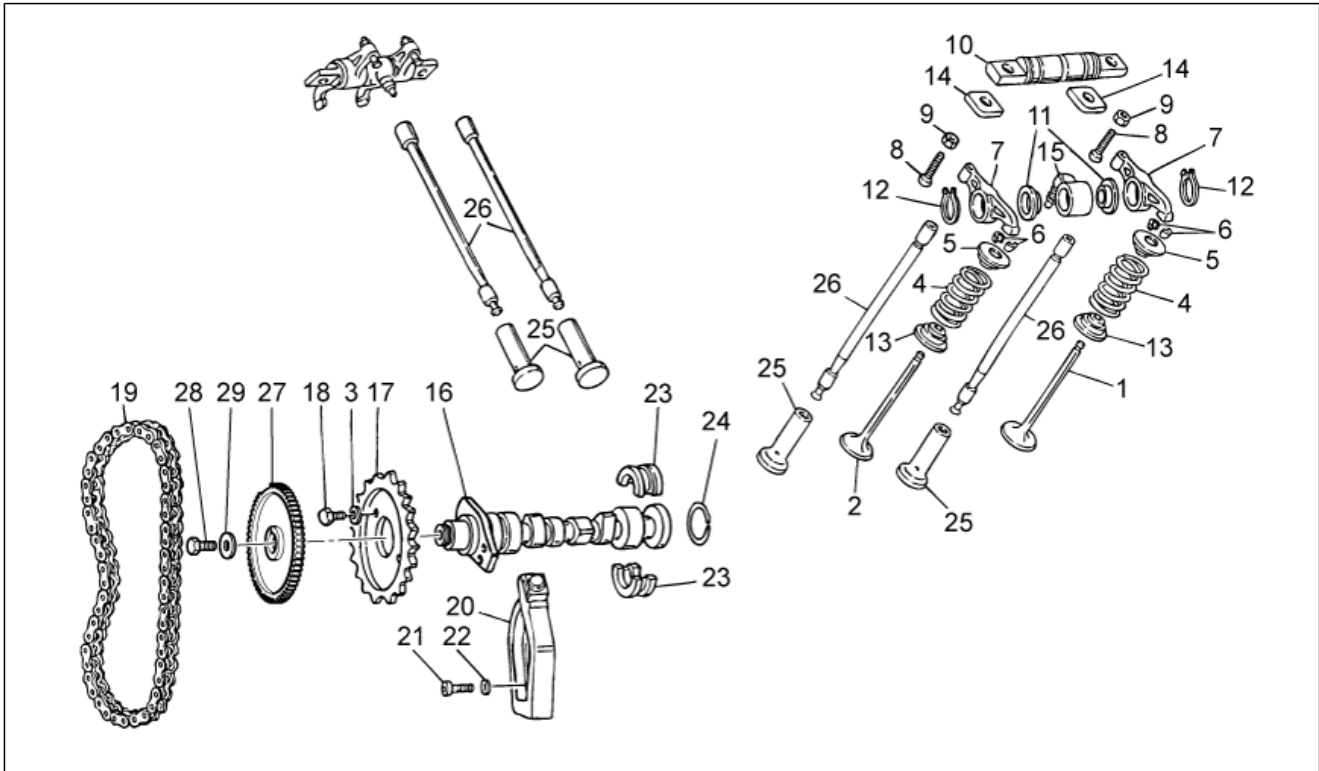
Pos.	Code	Description	Qty	Variants
1	GU32064110	Crankshaft cpl.	1	
2	GU19065400	Cover	1	
3	GU27061585	Connecting rod cpl.	2	
4	GU19062261	screw	4	
5	GU14615901	Washer 8,4X13X0,8	6	
6	GU27062060	Bearing half-shell	4	
7	GU27065660	Front main half-bearing	2	
8	GU27066560	Rear main half-bearing	2	
9	GU27066460	Half-clamp	2	
10	GU32060210	Piston assy	2	
11	GU32060710	Slot piston ring	2	
12	GU19061063	Scraper ring	2	
13	GU27061286	Piston pin	2	
14	GU27061385	Stop ring	4	
15	GU27060860	Slot piston ring	2	
16	GU32060610	Pistonring set	2	
17	GU27061885	Bushing	2	
18	GU19067700	screw	6	
19	GU32060110	Cylinder with piston, grey	2	
20	GU61027200	O-ring	2	
21	GU27020820	Gasket	2	

Group	ENGINE
Code	34.38
Description	Timing system
Service	1



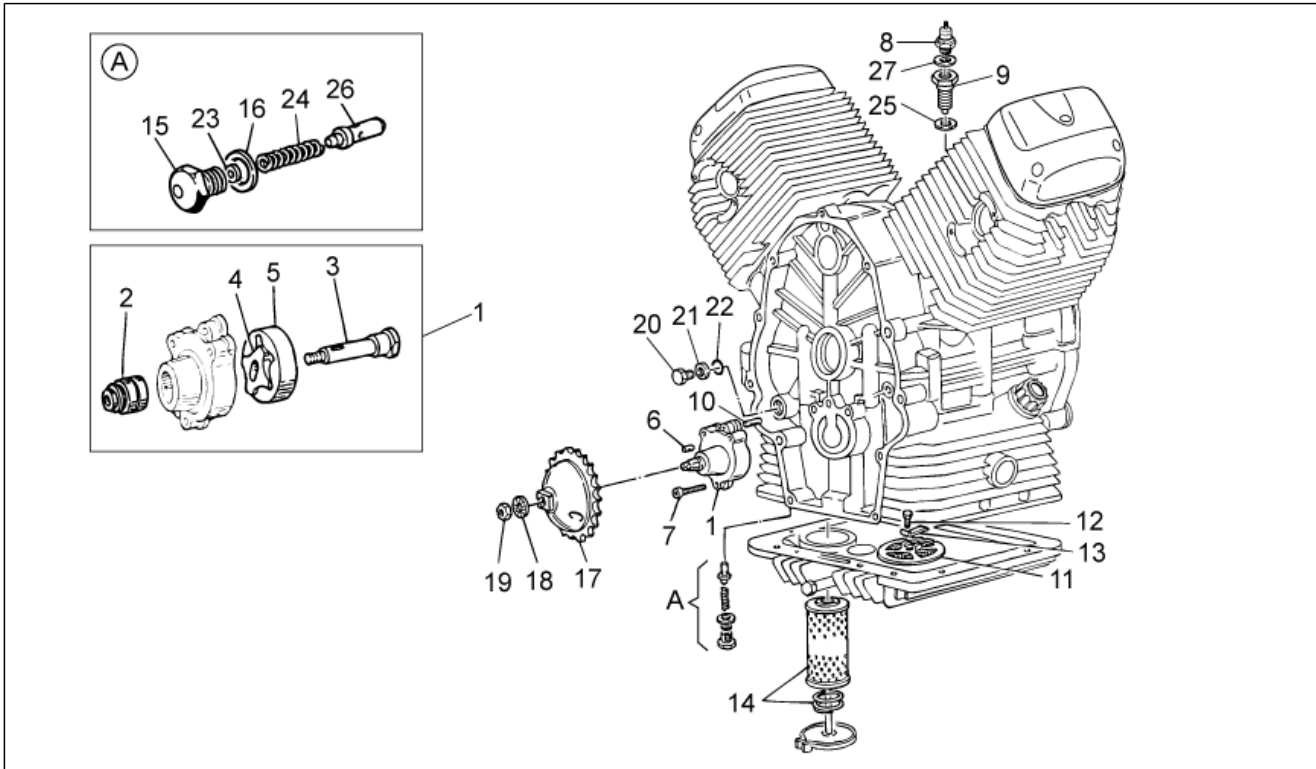
Pos.	Code	Description	Qty	Variants
1	GU20036020	Intake valve	2	
2	GU20036120	Exhaust valve	2	
3	GU23217800	Safety washer	2	
4	GU27037521	Spring	4	
5	GU31038015	Upper cup	4	
6	GU61038100	Half-cone	8	
7	GU19030500	Rocker arm assy.	4	
8	GU19034000	screw	4	
9	GU92602406	Nut M6x1	4	
10	GU19032080	Rocker shaft	2	
11	GU32032310	Thrust washer	4	
12	GU90271018	Circlip	4	
13	GU31037015	Lower cup	4	
14	GU19032980	Spacer	4	
15	GU19027500	Hose	2	
16	GU32053410	Camshaft	1	
17	GU32054510	Timing system gear	1	
18	GU61054900	Bolt	2	
19	GU19058021	Camshaft chain	1	
20	GU19058220	Chain stretching drive	1	
21	GU98882316	screw	1	
22	GU95129115	Washer	1	
23	GU19055700	Sector	2	
24	GU90353029	Snap ring	1	
25	GU19045861	Tappet	4	
26	GU31045015	Rocker arm rod	4	
27	GU32051710	Wheel speed sensor, left front	1	
28	GU98054422	screw M8x22	1	

Group	ENGINE
Code	34.38
Description	Timing system
Service	1



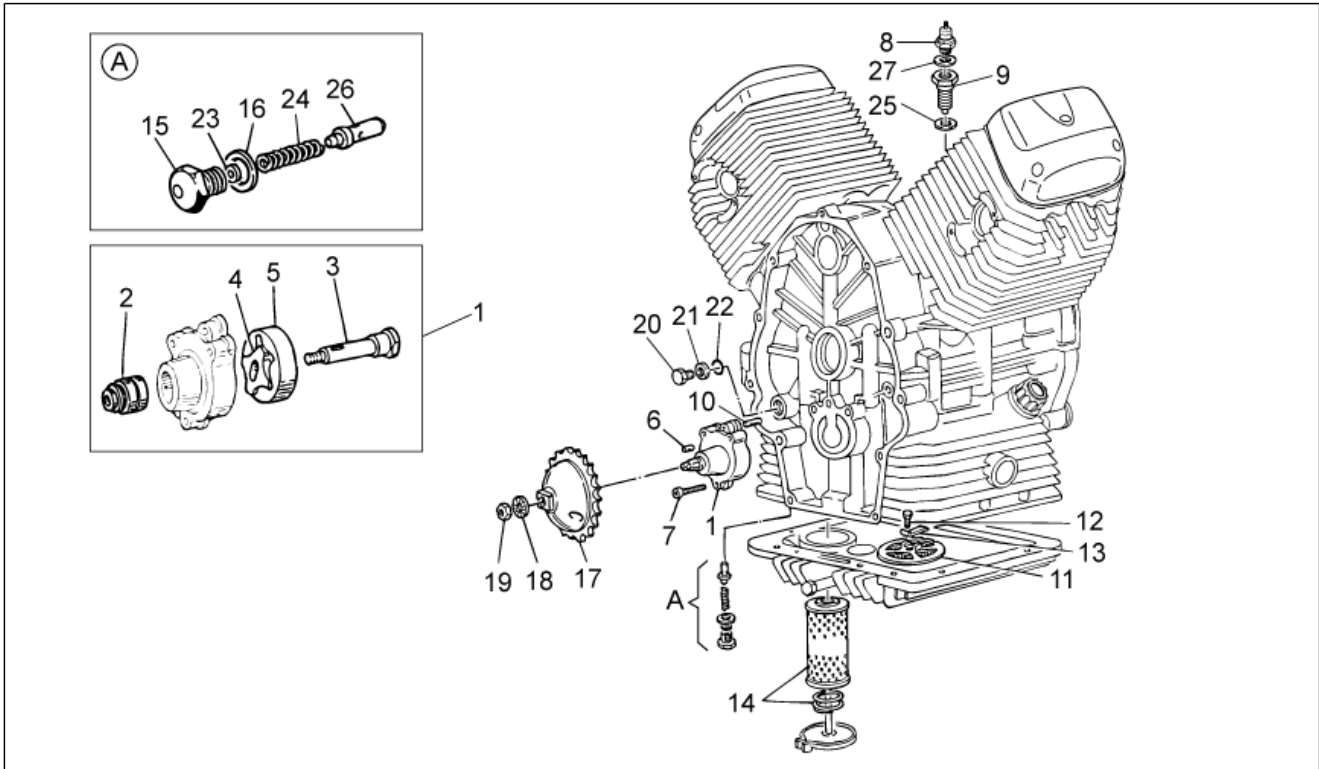
Pos.	Code	Description	Qty	Variants
29	GU95100244	Washer	1	

Group	ENGINE
Code	34.39
Description	Oil pump
Service	1



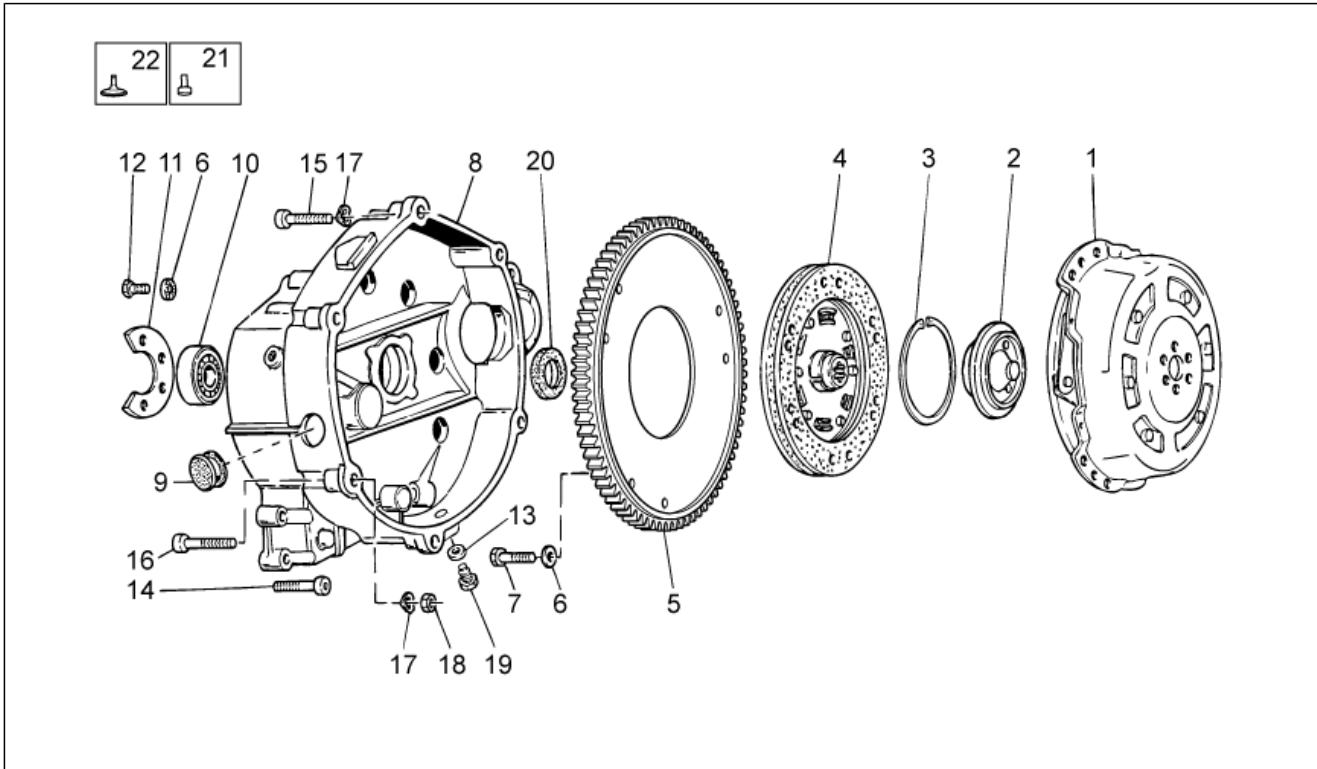
Pos.	Code	Description	Qty	Variants
1	GU19146422	Oil pump	1	
2	GU92252210	Roller bearing 10x22x20	1	
3	GU20147810	Oil pump shaft assy.	1	
4	GU20148410	Inner rotor	1	
5	GU20148610	Outer rotor	1	
6	GU92296723	Roller	1	
7	GU98620335	screw M6x35	3	
8	641541	Oil pressure sensor	1	
8	GU32768710	Pressure sensor	1	
9	887093	Union	1	
9	GU32768810	Union	1	
10	GU19018920	Pin	2	
11	GU19152200	Oil filter	1	
12	GU98084314	Hex screw M6x14	1	
13	GU95187006	Plate	1	
14	GU27153085	Oil filter	1	
15	GU31159050	Cover	1	
16	GU18144350	Washer 18,25x24x1	3	
17	GU20147710	Pump gear	1	
18	GU19149800	Washer 10,5x16x1	1	
19	GU92602510	Nut M10x1,25	1	
20	GU31016050	Cover	1	
21	GU18161150	Gasket 14,25	1	
22	GU90706111	O-ring	1	
23	GU95008206	Washer 6,15x11x0,8	3	
24	GU94321079	Spring	1	
25	GU95100602	Gasket	1	
26	GU31159050	Piston	1	

Group	ENGINE
Code	34.39
Description	Oil pump
Service	1



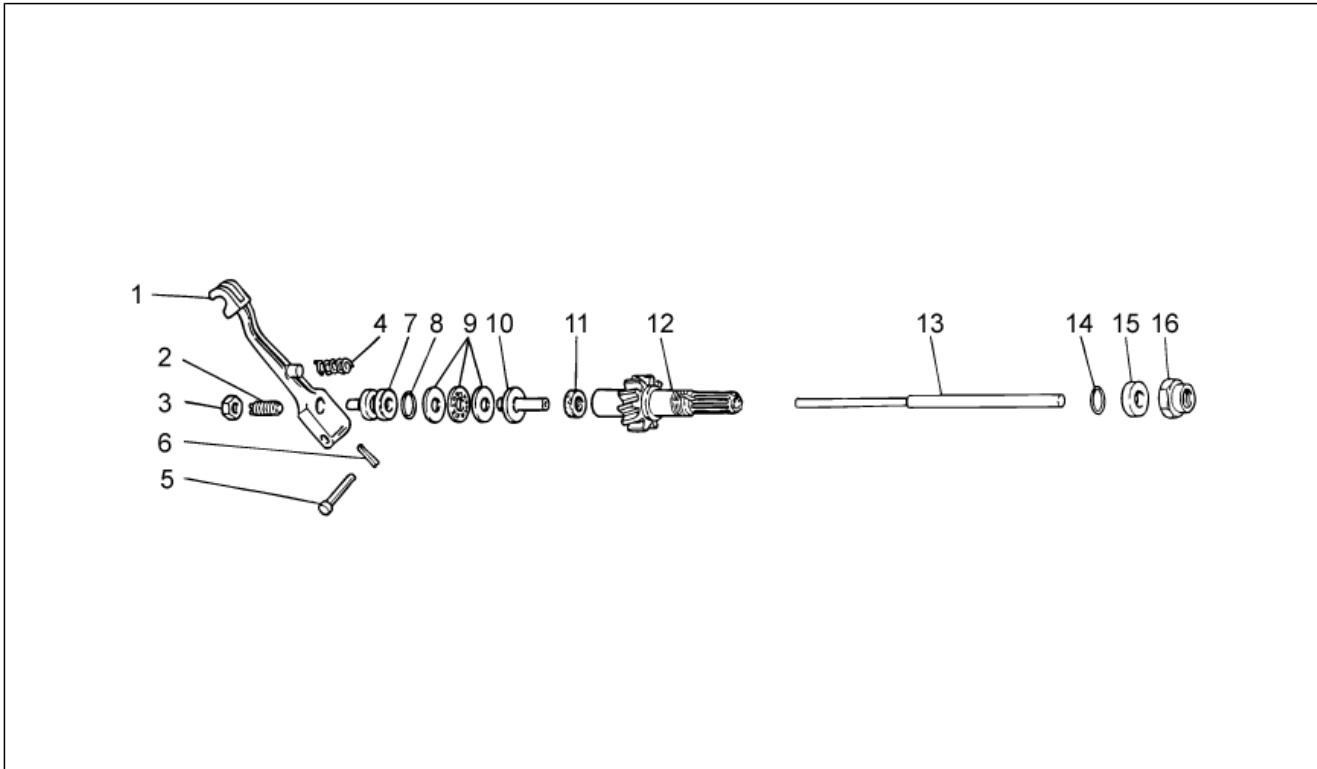
Pos.	Code	Description	Qty	Variants
27	GU95100309	Washer	1	

Group	ENGINE
Code	34.40
Description	Clutch I
Service	1



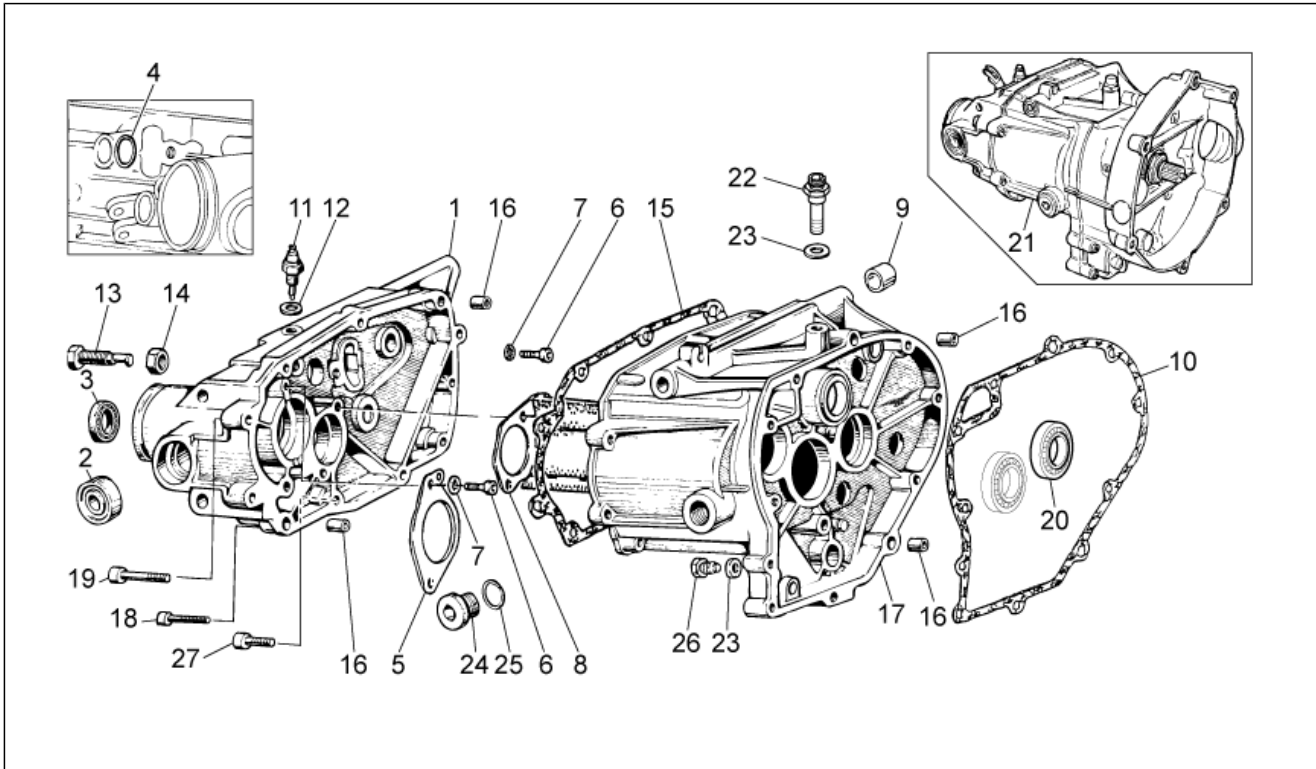
Pos.	Code	Description	Qty	Variants
1	GU32080310	Clutch	1	
2	GU19083462	New cup type	1	
3	GU90272075	Snap ring	1	
4	GU32084410	Driven clutch disc	1	
5	GU32067910	Chain ring	1	
6	GU14217901	Washer 6,4x10x0,7	9	
7	GU98084316	Hex screw	6	
8	981070	Clutch drum	1	
9	GU93180220	Cover	1	
10	GU92201225	Bearing 25x52x15	1	
11	GU19203460	Bearing fixing plate	1	
12	GU98084314	Hex screw M6x14	3	
13	GU10528900	Gasket	1	
14	GU98682330	Hex socket screw M6x20	11	
15	GU98680435	Hex socket screw M8x35	5	
16	GU98680450	Hex socket screw M8x50	1	
17	GU61270300	Spring washer 8x15x0,3	6	
18	GU92606208	Nut M8x1,25	1	
19	GU31003766	Oil unload plug M10x1	1	
20	GU90403246	Gasket ring 32x45x7	1	
21	GU23204471	Getto per a.s.	1	
22	GU23204571	Getto per a.p.	1	

Group	ENGINE
Code	34.41
Description	Clutch II
Service	1



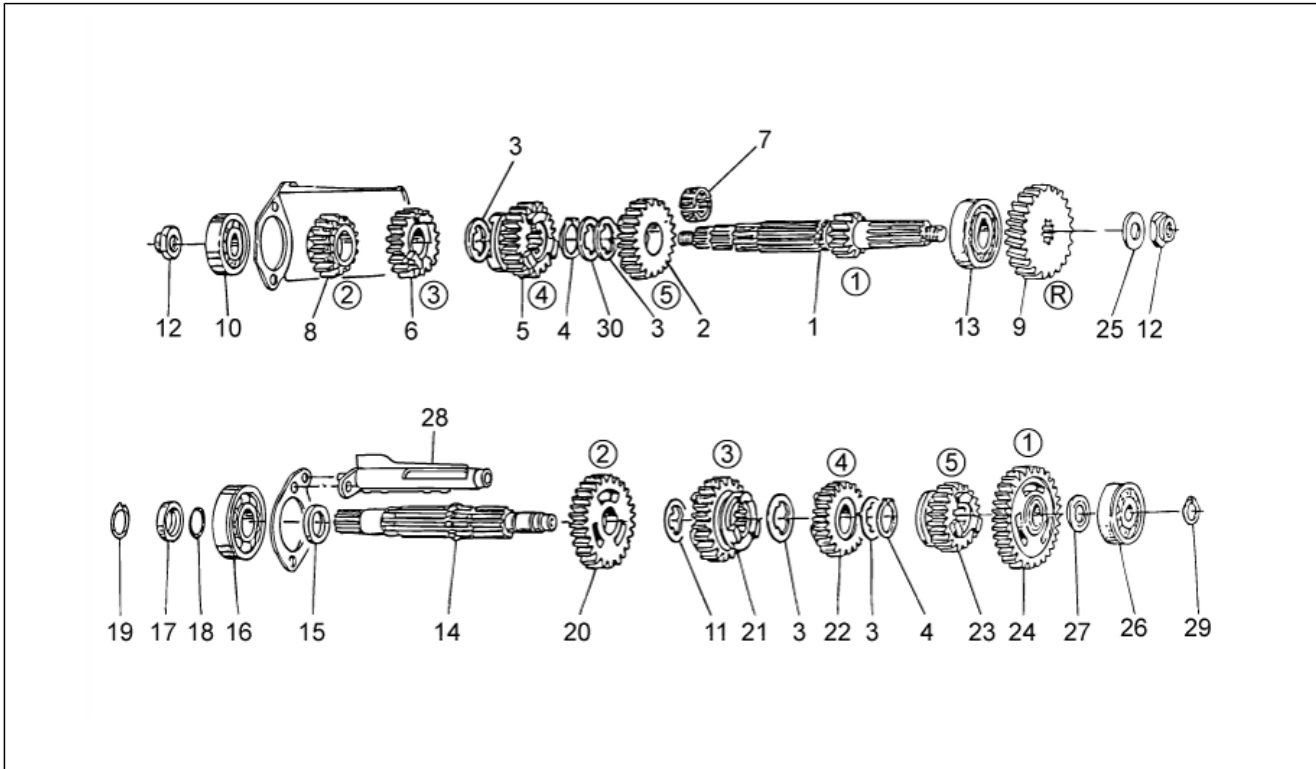
Pos.	Code	Description	Qty	Variants
1	GU14090201	Clutch relese shaft	1	
2	GU14090400	Adjuster screw	1	
3	GU92606508	Nut	1	
4	GU94321105	Lever return spring	1	
5	GU95780271	Pin 7x39	1	
6	GU95500222	Split pin	1	
7	GU14086100	Outer body	1	
8	GU90706170	O-ring 17,13x2,62	1	
9	GU12087001	Thrust bearing	1	
10	GU14086000	Inner body	1	
11	GU90400616	Gasket ring 6x16x7	1	
12	GU27210760	Transmission shaft Z=16	1	
13	GU20085720	Rod	1	
14	GU90706235	O-ring 23,52x1,78	1	
15	GU19213760	Spacer	1	
16	GU19356760	Nut	1	

Group	ENGINE
Code	34.42
Description	Transmission cage
Service	1



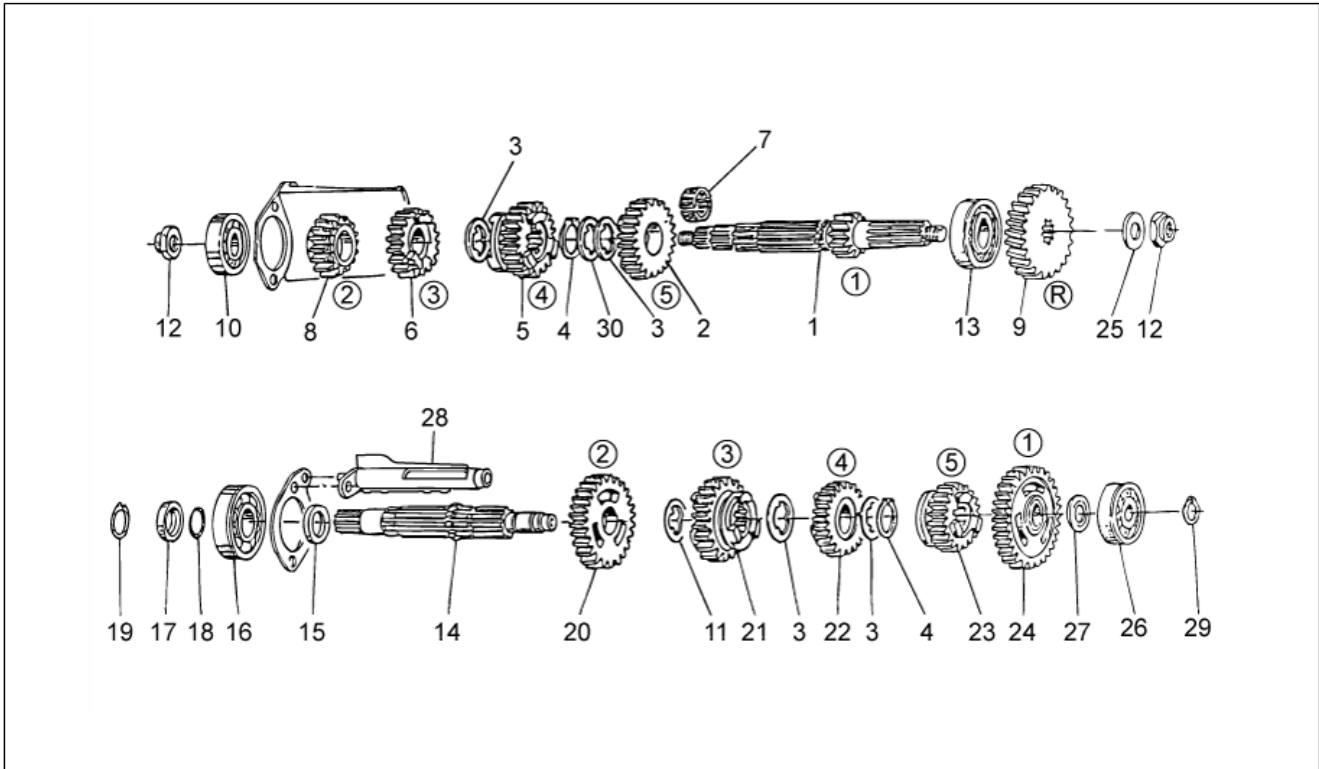
Pos.	Code	Description	Qty	Variants
1	976605	Gearbox cover	1	
2	GU92204215	Bearing 15x35x11	2	
3	GU90402841	Gasket ring 28x40x7	1	
4	GU90706140	O-ring 13,95x2,92	1	
5	GU32213810	Plate	1	
6	GU98682314	Hex socket screw M6x14	4	
7	GU14217901	Washer 6,4x10x0,7	4	
8	GU32208210	Oil bulhead	1	
9	GU19202320	Bushing 10,25x15,7x8	2	
10	GU23200370	Gasket	1	
11	GU19207220	Sensor	1	
12	GU12154200	Gasket 8,25x15x1	1	
13	GU19237800	Screw M12x1,25	1	
14	GU92606512	Low nut M12x1,25	1	
15	GU19201120	Gasket	1	
16	GU19002020	Bushing 6,6x9x13	4	
17	976606	Gearbox black	1	
18	GU98682330	Hex socket screw M6x20	5	
19	GU98680435	Hex socket screw M8x35	4	
20	GU92201120	Ball bearing 20x42x12	1	
21	976940	Transmission assy and housing	1	
22	GU32206510	Breather plug	1	
23	GU10528900	Gasket	2	
24	GU12022600	Oil plug	1	
25	GU90706203	O-ring 20,24x2,62	1	
26	GU31003766	Oil unload plug M10x1	1	
27	GU98680335	Hex socket screw M6x35	2	

Group	ENGINE
Code	34.43
Description	Gear box
Service	1



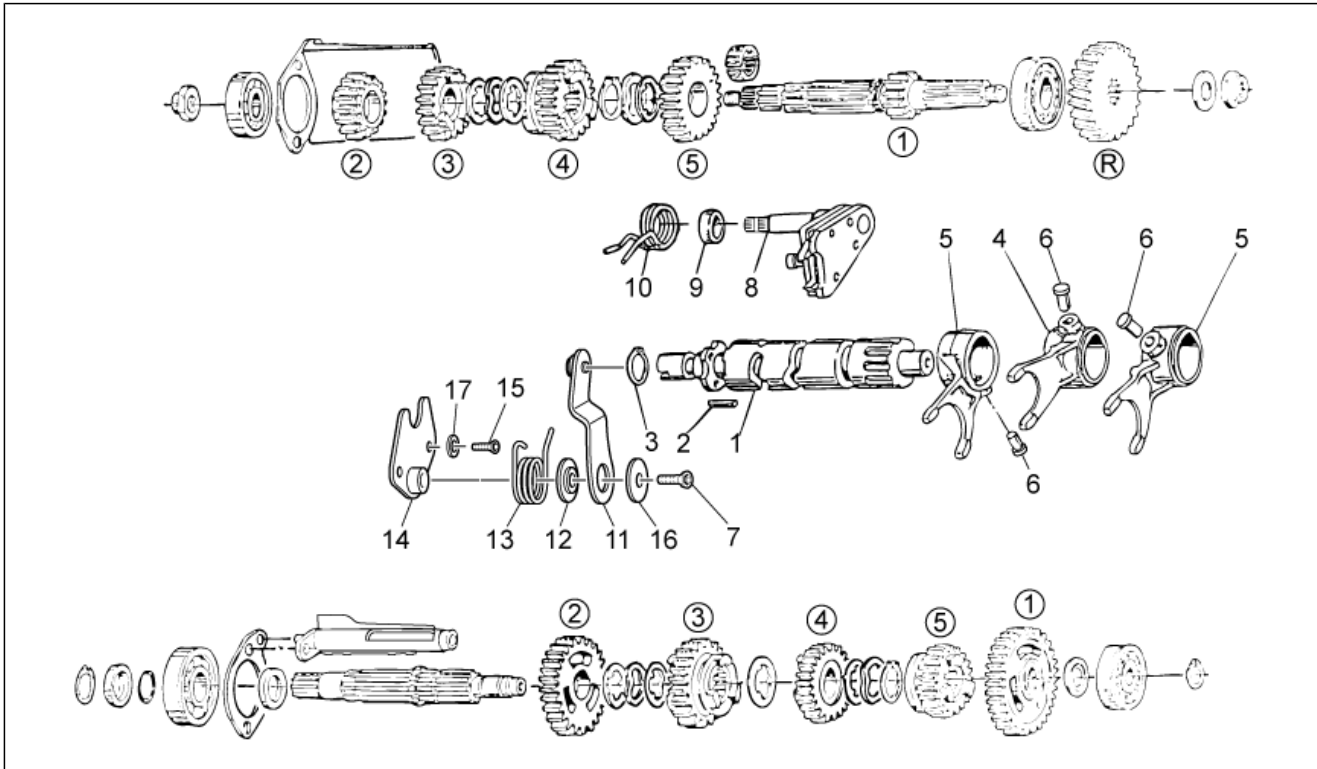
Pos.	Code	Description	Qty	Variants
1	GU32210510	Primary gear shaft Z=11	1	
2	GU32212011	Gear 5a AP Z=25	1	
3	GU19215460	Thrust washer	3	
4	GU90271124	Circlip	2	
5	GU32211810	Gear 4a AP Z=18	1	
6	GU32211410	Gear 3a AP Z=18	1	
7	GU92251028	Roller cage	1	
8	GU23211372	Gear 2a AP Z=14	1	
9	GU32211110	Idle gear AP Z=21	1	
10	GU92218417	Bearing AP 17x40x17,5	1	
11	GU19214660	Clearance washer	2	
12	GU10054100	Nut	2	
13	GU92230320	Bearing AP 20x37x17	1	
14	GU32213610	Driven shaft	1	
15	GU19212900	Spacer	1	
16	GU92201220	Bearing 20X47X14	1	
17	GU19213720	Spacer	1	
18	GU90706188	Gasket ring 18,77X1,78	1	
19	GU90271121	Circlip	1	
20	GU32214510	Gear 2a AS Z=23	1	
21	GU32214810	Gear 3a AS Z=23	1	
22	GU32215010	Gear 4a AS Z=19	1	
23	GU32215210	Gear 5a AS Z=22	1	
24	GU32214010	Gear 1a AS Z=26	1	
25	GU39238100	Clearance washer	1	
26	GU92234716	Bearing	1	
27	GU10214300	Spacer 1,5 mm	1	
27	GU10214301	Spacer 1,7 mm	1	

Group	ENGINE
Code	34.43
Description	Gear box
Service	1



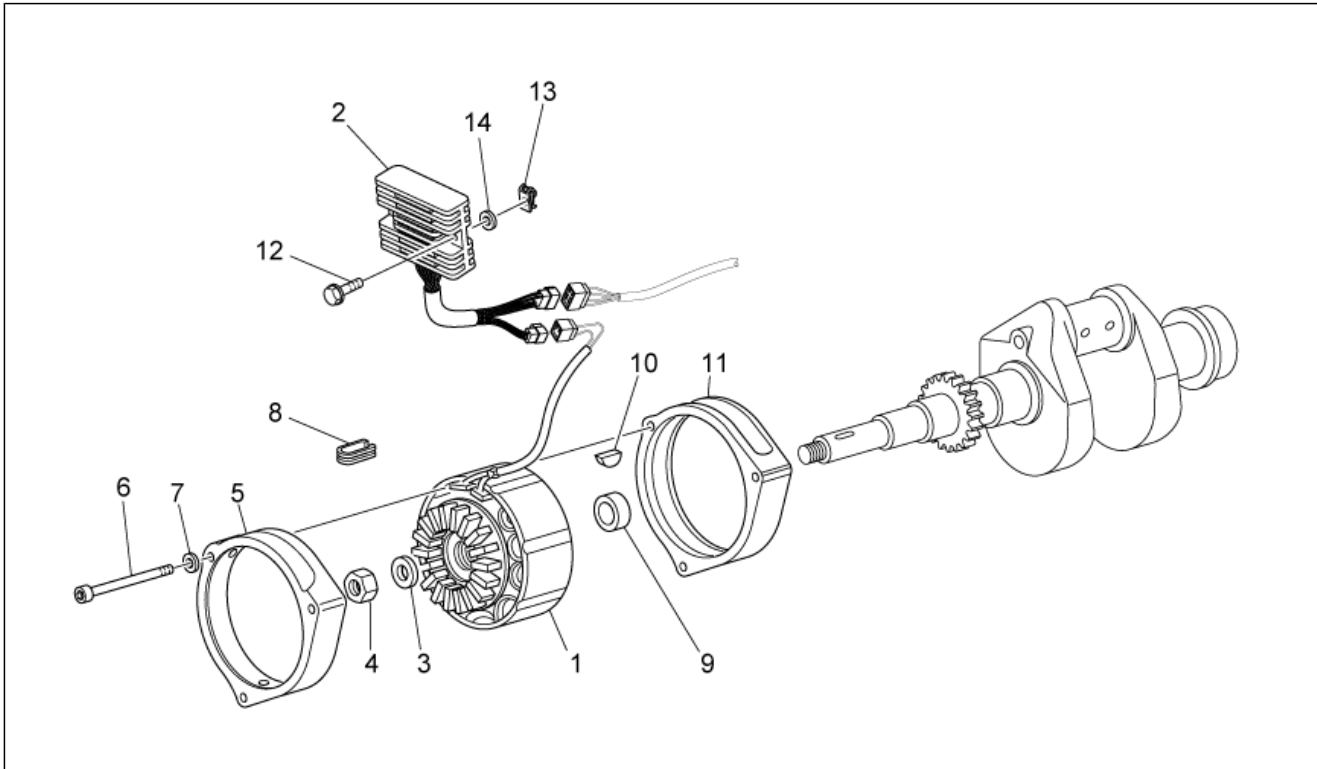
Pos.	Code	Description	Qty	Variants
27	GU10214302	Spacer 1,8 mm	1	
27	GU10214303	Spacer 1,9 mm	1	
27	GU10214304	Washer 2 mm	1	
27	GU10214305	Spacer 2,1 mm	1	
28	GU32202010	Gutter	1	
29	GU90271117	Circlip	1	

Group	ENGINE
Code	34.44
Description	Gear box selector
Service	1



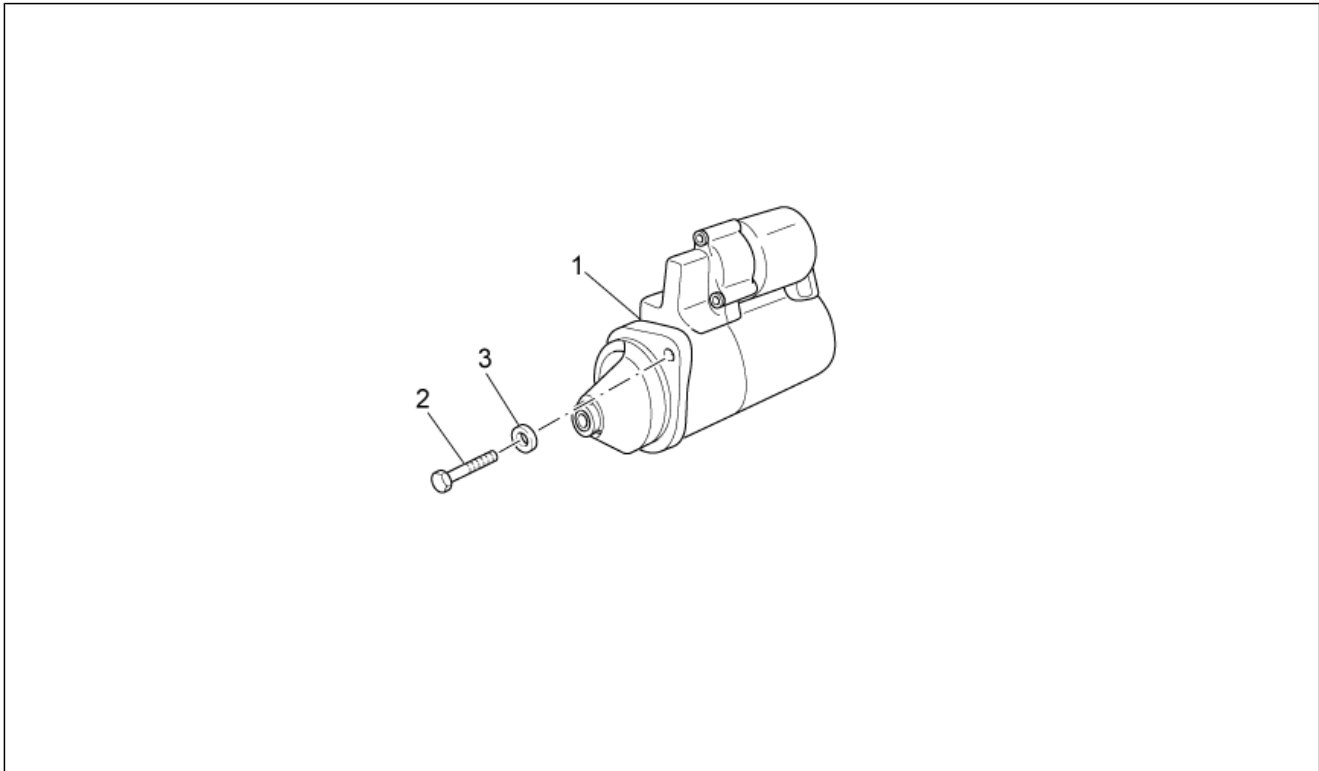
Pos.	Code	Description	Qty	Variants
1	GU32234410	Shift cam	1	
2	GU19234600	Pin	4	
3	GU90274026	Snap ring	1	
4	GU32231210	Fork AP	1	
5	GU32231010	Fork AS	2	
6	GU32233010	Roller	3	
7	GU98350312	Hex socket screw M6x12	1	
8	GU32236210	Preselection complete	1	
9	GU20208520	Spacer	1	
10	GU32238210	Spring	1	
11	GU32234710	Lever	1	
12	GU32234810	Washer	1	
13	GU32234110	Spring	1	
14	GU32235710	plate	1	
15	AP8152166	screw M6x16	2	
16	GU32234910	Washer 6,4x20x1	1	
17	GU14217901	Washer 6,4x10x0,7	2	

Group	ENGINE
Code	34.45
Description	Generator - Regulator
Service	1



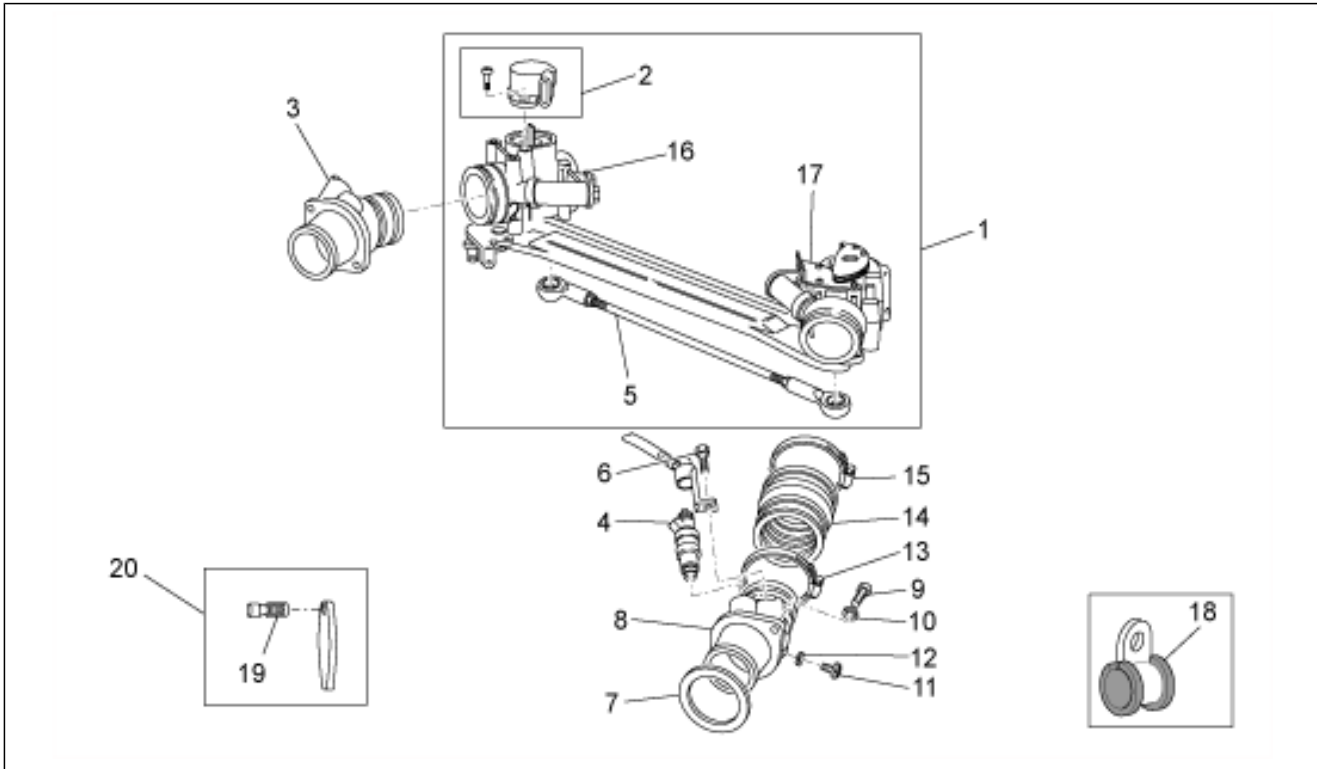
Pos.	Code	Description	Qty	Variants
1	883877	Generator	1	
2	883878	Voltage regulator 35A	1	
3	GU30714201	Washer 16,25x24,5x5	1	
4	GU92606516	Nut M16	1	
5	GU29711460	Front calotte	1	
6	GU98680265	Hex socket screw	3	
7	GU29217960	Washer 5,9X3X0,8	3	
8	GU19007700	Rubber spacer	1	
9	GU31712365	Spacer	1	
10	GU91600450	Transmission key	1	
11	GU29711960	Rear cap	1	
12	AP8152281	Screw w/ flange M6x30	2	
13	GU28576591	Clip M6	2	
14	GU95100125	Washer	2	

Group	ENGINE
Code	34.46
Description	Starter motor
Service	1



Pos.	Code	Description	Qty	Variants
1	GU05730730	Starter motor Bosch	1	
2	GU98082435	Hex screw M8x35	2	
3	GU95008208	Washer 8,4X15X1,5	2	

Group	ENGINE
Code	34.47
Description	Throttle body
Service	1



Pos.	Code	Description	Qty	Variants
1	GU32112510	Throttle assy	1	
2	GU05112830	Potentiometer	1	
3	GU32115010	RH manifold	1	
4	GU32115710	Injector kit complete	2	
5	GU32530509	Rod	1	
6	AP8152298	Screw w/ flange M5x16	2	
7	GU32115510	Gasket	1	
8	GU32115011	LH manifold	1	
9	GU98682322	Hex socket screw M6x22	4	
10	GU03013800	Washer 6,4x12	4	
11	GU98310609	screw M6x10	2	
12	GU95100116	Washer 6,25x10x1,5	2	
13	GU93305057	Hose clamp 57x59,5x10	2	
14	GU32114310	Hose	2	
15	GU93305061	Hose clamp 61/65,5	2	
16	GU32112610	Right throttle body	1	
17	GU32112611	Left throttle body	1	
18	GU32718010	Hose clamp	2	
19	GU97270212	Shear rivet	1	
20	GU973221100027	Plate kit	1	