



PIAGGIO & C.s.p.a.



SPARE PARTS CATALOGUE



V7 Racer 750 2012-2013

Chassis prefix: ZGULWB00, ZGULWU02, ZGULWUA2,
ZGULWH00, ZGULWH01, ZGULWH02, ZGULWV00, ZGULWC02



PIAGGIO & C.s.p.a.



Engine prefix:

V7

GU102



Index

Finished products.....	5
Alphanumeric index.....	6
FRAME.....	12
Table 33.01 - Frame I.....	12
Table 33.02 - Frame II.....	13
Table 33.03 - Lateral stand.....	14
Table 33.06 - Gear lever.....	15
Table 33.07 - Front fork I.....	16
Table 33.08 - Fron fork II.....	17
Table 33.11 - Rear shock absorber.....	20
Table 33.12 - Fuel tank.....	21
Table 33.13 - Front body - Front mudguard.....	22
Table 33.14 - Saddle-Central bod.....	23
Table 33.15 - Rear body I- Mudguard.....	24
Table 33.16 - Rear body II- Plate holder.....	25
Table 33.17 - Dashboard.....	26
Table 33.18 - Handlebar - Controls.....	27
Table 33.19 - Front brake system.....	28
Table 33.21 - Fuel pump.....	29
Table 33.23 - Exhaust unit.....	30
Table 33.24 - Front wheel.....	32
Table 33.25 - Rear wheel.....	33
Table 33.26 - Rear master cylinder.....	34
Table 33.27 - Rear brake caliper.....	36
Table 33.28 - Front lights.....	37
Table 33.29 - Rear lights.....	39
Table 33.30 - Electrical system I.....	40
Table 33.31 - Electrical system II.....	41
Table 33.32 - Lock hardware kit.....	43
Table 33.33 - Decal and plate set.....	44
Table 33.51 - Fuel vapour recover system.....	46
Table 33.52 - Air box II.....	47
ENGINE.....	49
Table 34.09 - Transmission complete I.....	49
Table 34.10 - Transmission complete II.....	50
Table 34.34 - Crank-case.....	53
Table 34.35 - Timing system cover.....	55
Table 34.36 - Cylinder head.....	56
Table 34.37 - Crankshaft cpl.....	57
Table 34.38 - Timing system.....	58
Table 34.39 - Oil pump.....	60
Table 34.40 - Clutch I.....	62
Table 34.41 - Clutch II.....	63



Table 34.42 - Transmission cage.....	64
Table 34.43 - Gear box.....	65
Table 34.44 - Gear box selector.....	67
Table 34.45 - Generator - Regulator.....	68
Table 34.46 - Starter motor.....	69
Table 34.47 - Throttle body.....	70



Finished products

Code	Validity
GU9032178CAC00	
GU9032178CAC01	
GU9032178USC00	
GU9032178USC01	
GU9032179AUC00	
GU9032179AUC01	
GU9032179CAD00	
GU9032179CAD01	
GU9032179EUC00	
GU9032179EUC01	
GU9032179GBC00	
GU9032179GBC01	
GU9032179JPC00	
GU9032179JPC01	
GU9032179USD00	
GU9032179USD01	
GU9032195AUD00	
GU9032195AUD01	
GU9032195CAE00	
GU9032195CAE01	
GU9032195EUD00	
GU9032195EUD01	
GU9032195GBD00	
GU9032195GBD01	
GU9032195JPD00	
GU9032195JPD01	
GU9032195USE00	
GU9032195USE01	
GU9032198EUD00	
GU9032198EUD01	
GU9032198GBD00	
GU9032198GBD01	



Code	No. table	Pos.	Code	No. table	Pos.	Code	No. table	Pos.
	33.08	17	886364	34.42	3	887826	33.29	4
080341	33.30	6	886368	33.14	12	887827	33.28	5
254485	33.14	16	886370	33.12	20	887827	33.29	5
254485	33.28	20	886581	33.01	17	8878421	33.52	1
254485	33.52	14	886582	33.01	18	887843	33.52	2
292022	33.28	9	886630	33.11	3	887844	33.52	11
292723	33.28	10	886637	33.33	13	887845	33.52	12
2B000045	33.52	36	886638	33.33	12	887846	33.23	1
2B000178	33.23	11	886643	33.33	8	887847	33.23	2
2B000179	33.23	10	886644	33.33	14	887854	33.33	5
2B000433	33.33	20	886645	33.01	11	887873	33.32	1
2B000434	33.33	21	886665	33.06	13	887874	33.32	3
2B000435	33.33	22	886665	33.26	1	887877	33.29	1
2D000006	33.32	10	886666	33.26	9	887878	33.08	1
2Q000006	33.33	5	886668	33.06	16	887879	33.08	2
584211	33.31	10	886670	34.37	21	887880	33.08	3
584332	33.29	7	886675	33.11	1	887881	33.08	36
599501	33.08	7	886676	34.09	11	887882	33.08	5
599502	33.08	9	886678	33.33	3	887883	33.08	6
599503	33.08	8	886679	33.24	18	887884	33.08	7
599504	33.08	6	886680	33.25	20	887885	33.08	8
638733	33.31	6	886681	33.24	2	887886	33.08	9
640598	33.28	11	886684	33.08	17	887887	33.08	10
641040	33.30	8	886706	33.14	15	887888	33.08	11
641541	34.39	8	886711	33.25	2	887889	33.08	12
641725	33.30	7	886712	33.16	9	887890	33.08	13
641901	33.30	4	886713	33.16	10	887891	33.08	14
642034	33.30	3	886724	33.13	10	887892	33.08	15
828708	33.30	12	886727	33.14	19	887893	33.08	16
856063	33.51	14	88673000Y02	33.13	1	887895	33.08	18
856796	33.06	20	886784	33.13	2	887896	33.08	19
860138	33.51	7	886820	33.14	22	887899	33.08	25
874567	34.37	14	886825	33.33	11	887900	33.08	23
880260	34.47	4	886841	33.14	14	887905	33.08	28
883127	33.52	6	886842	33.08	21	887906	33.08	35
883161	33.31	11	887002	34.36	10	887916	33.08	22
883192	33.27	7	887005	34.42	10	887944	33.12	1
883295	33.14	5	887006	34.42	15	887948	33.30	13
883303	33.19	13	887093	34.39	9	890760	33.52	16
883349	33.25	8	887194	33.17	1	890979	33.28	16
883350	33.25	7	887195	33.17	1	893570	33.31	19
883417	33.28	24	887196	34.44	8	894505	33.25	13
883470	33.16	12	887207	33.12	1	894704	33.31	26
883471	33.03	1	887213	34.42	1	896110	33.23	21
883476	33.32	3	887235	34.42	17	898086	33.07	7
883477	33.32	1	8872690001	34.37	10	898170	33.18	1
883478	33.29	5	8872690002	34.37	10	898171	33.18	8
883479	33.29	1	8872690003	34.37	10	898174	33.33	2
883480	33.16	15	8872724	34.36	1	89817800A2	33.14	1
883498	33.08	23	8872754	34.36	2	898179	33.13	7
883502	33.12	5	887279	34.36	24	898180	33.13	8
883552	33.08	24	887280	33.06	17	898270	33.14	20
883581	33.19	2	887431	33.27	3	898271	33.14	21
883602	33.08	34	887448	33.25	12	898277	33.14	10
883688	33.24	10	887449	33.27	1	898278	33.14	9
883802	33.18	10	887457	33.27	6	898280	33.16	6
883877	34.45	1	887481	33.30	12	898281	33.06	7
883878	34.45	2	887483	34.36	25	898281	33.26	27
883940	33.18	3	887523	34.36	9	898282	33.06	1
884031	34.42	6	887528	34.38	27	898283	33.06	3
884138	33.23	11	887787	33.21	5	898284	33.06	9
884139	33.23	10	887812	34.47	14	898285	33.26	30
884344	33.33	20	887815	33.52	13	898286	33.26	17
884345	33.33	21	887822	33.18	15	898287	33.26	12
884346	33.33	22	887825	33.30	1	898288	33.26	4
884348	33.33	16	887825	33.31	1	898611	33.06	12
886141	33.33	10	887826	33.28	4	898612	33.26	28



Code	No. table	Pos.	Code	No. table	Pos.	Code	No. table	Pos.
967356	33.03	6	AP8120912	33.06	2	AP8152300	33.02	14
969973	34.36	26	AP8120912	33.26	2	AP8152300	33.27	13
976600	34.34	1	AP8121014	33.03	3	AP8152306	33.16	5
976603	34.35	1	AP8121032	33.15	13	AP8152320	33.06	6
976604	34.34	12	AP8121032	33.17	7	AP8152320	33.26	33
976608	34.10	1	AP8121072	33.23	22	AP8152329	33.15	11
976614	33.14	13	AP8121267	33.51	10	AP8152329	33.52	18
976685	34.34	16	AP8121307	33.07	4	AP8152329	33.52	27
976939	34.34	28	AP8121367	33.02	10	AP8152339	33.16	8
976941	34.09	1	AP8121375	33.03	2	AP8152385	33.19	16
976992	34.42	21	AP8121420	33.14	6	AP8181140	33.31	24
97727R	33.07	1	AP8121420	33.32	8	AP8201358	33.51	13
977527	33.14	8	AP8121607	33.03	2	AP8201358	33.52	3
977527	33.32	4	AP8121673	33.12	12	AP8201358	33.52	34
978311	33.28	2	AP8121927	33.26	3	AP8210007	33.06	18
978323	33.19	15	AP8121929	33.16	7	AP8213028	33.18	23
978385	33.23	12	AP8124718	33.16	13	AP8213057	33.26	15
978386	33.23	15	AP8124936	33.30	2	AP8220283	33.31	22
978387	33.23	4	AP8127856	33.03	8	AP8220460	33.07	6
978415	33.14	7	AP8133643	33.26	14	AP8220488	34.47	16
978415	33.32	9	AP8133798	33.27	2	AP8220590	33.01	20
978570	33.18	10	AP8133873	33.26	22	AP8221023	33.52	26
978662	33.28	2	AP8134378	33.23	18	AP8221114	33.51	16
97894600Y02	33.15	1	AP8134448	33.16	2	AP8221172	33.01	16
978947	33.15	2	AP8134640	33.26	35	AP8221172	33.18	18
978949	33.16	1	AP8144071	33.23	16	AP8221197	33.03	5
978970	33.26	13	AP8144071	34.36	23	AP8221277	33.06	10
978974	33.08	19	AP8144081	33.07	5	AP8221297	33.23	30
978977	33.08	29	AP8144146	33.07	3	AP8224164	33.16	3
978978	33.08	4	AP8144538	33.52	15	AP8224462	33.31	21
981070	34.40	8	AP8144553	33.52	7	AP8257609	33.33	17
981149	33.28	12	AP8144606	33.01	15	AP8257742	33.33	19
981149	33.28	12	AP8144729	33.52	17	AP8257794	33.33	18
AP8101594	33.26	20	AP8149034	33.16	17	AP9100477	33.06	15
AP8101595	33.12	15	AP8150026	33.06	19	AP9100477	33.26	31
AP8102159	33.51	6	AP8150044	33.06	14	B016796	34.47	5
AP8102375	33.26	19	AP8150044	33.26	25	B043850	33.31	23
AP8102375	33.31	14	AP8150115	33.06	5	B045974	33.33	23
AP8102524	33.03	4	AP8150115	33.26	26	B063016	34.37	13
AP8102678	33.51	1	AP8150137	33.06	4	B063018	34.37	11
AP8102688	33.51	2	AP8150248	33.16	19	B063019	34.37	15
AP8102765	33.52	29	AP8150285	34.42	27	B063020	34.37	12
AP8102766	33.52	23	AP8150349	33.32	6	B063022	33.23	3
AP8102913	33.14	3	AP8150377	33.31	20	B063033	33.21	2
AP8104525	33.52	5	AP8150413	33.13	6	B063034	33.21	6
AP8104924	33.52	4	AP8150436	33.02	12	B063049	34.47	2
AP8104996	33.52	28	AP8150468	33.26	29	B063077	33.24	5
AP8110053	33.06	22	AP8150509	33.52	19	B063078	33.25	11
AP8113003	33.27	20	AP8152138	33.06	21	B063086	33.03	1
AP8113004	33.19	14	AP8152220	33.02	11	B063099	34.36	19
AP8113004	33.27	8	AP8152268	33.16	18	B063111	34.36	6
AP8113288	33.26	16	AP8152273	33.16	11	B063135	33.18	6
AP8113553	33.26	23	AP8152273	33.21	4	B063144	33.24	3
AP8118490	33.18	24	AP8152277	33.19	3	B063148	33.33	1
AP8120246	34.09	10	AP8152278	33.15	3	B063149	33.33	9
AP8120416	33.30	18	AP8152278	33.28	13	B0631500Y02	33.13	7
AP8120416	33.31	27	AP8152279	33.15	9	B06315100Y02	33.16	6
AP8120416	33.51	11	AP8152281	34.45	12	B063152	33.12	19
AP8120446	33.51	9	AP8152286	33.24	11	B063154	33.12	18
AP8120455	33.52	9	AP8152287	33.02	13	B063163	33.12	1
AP8120531	33.14	18	AP8152288	33.02	15	B063167	33.15	12
AP8120557	33.12	11	AP8152288	33.27	9	B063213	33.52	30
AP8120615	33.52	10	AP8152298	34.47	6	B063214	33.52	21
AP8120772	33.52	20	AP8152299	33.15	15	B063233	33.31	5
AP8120772	33.52	24	AP8152299	33.27	10	B063247	33.18	4
AP8120772	33.52	35	AP8152299	33.30	5	B063248	33.18	5
AP8120876	33.52	8	AP8152299	33.51	5	B063249	33.02	1



Code	No. table	Pos.	Code	No. table	Pos.	Code	No. table	Pos.
B063250	33.02	2	GU03604845	33.19	8	GU19016320	34.34	9
B063251	33.01	1	GU03605645	33.19	9	GU19017000	33.02	4
B063252	33.33	5	GU03609600	33.18	14	GU19018920	34.39	10
B063265	33.24	1	GU03612040	33.24	16	GU19021360	34.36	18
B063267	33.25	1	GU03631250	33.24	4	GU19021920	34.36	7
B063269	34.42	11	GU03631250	33.25	9	GU19025280	33.23	5
B063287	33.01	4	GU03658201	33.27	16	GU19025460	33.23	6
B063342	34.42	20	GU03658330	33.27	17	GU19027500	34.38	15
B063429	33.14	23	GU03658430	33.27	14	GU19030500	34.38	7
B063431	33.14	24	GU03660145	33.19	1	GU19032080	34.38	10
B063465	34.37	19	GU03661145	33.19	6	GU19032980	34.36	17
B063466	34.37	16	GU03664045	33.19	7	GU19032980	34.38	14
B063645	33.21	1	GU03740930	33.29	2	GU19034000	34.38	8
B063735	33.28	14	GU03749845	33.19	5	GU19037820	34.36	8
B063735	33.29	6	GU03922280	34.09	23	GU19045861	34.38	25
B063750	33.27	6	GU03995730	33.33	15	GU19055700	34.38	23
B063752	33.21	1	GU04000500	34.34	10	GU19058021	34.38	19
B063800	33.28	4	GU05107430	33.21	3	GU19058220	34.38	20
B063801	33.28	5	GU05659230	33.19	10	GU19062261	34.37	4
B063808	33.12	1	GU05730730	34.46	1	GU19065400	34.37	2
B063840	34.47	4	GU05781630	33.16	20	GU19067700	34.37	18
B063853	34.47	17	GU05900130	33.33	6	GU19083462	34.40	2
B063854	33.23	1	GU06740400	33.28	17	GU19146422	34.39	1
B063855	33.23	2	GU06740401	33.28	17	GU19149800	34.39	18
CM001928	33.07	9	GU10054100	34.43	12	GU19152200	34.39	11
CM001929	33.07	8	GU10214300	34.43	27	GU19202320	34.42	9
CM007423	33.30	9	GU10214301	34.43	27	GU19203460	34.40	11
CM0074C9	33.30	10	GU10214302	34.43	27	GU19206501	34.10	10
CM013202	33.31	25	GU10214303	34.43	27	GU19212900	34.43	15
CM225705	33.31	15	GU10214304	34.43	27	GU19213720	34.43	17
CM225710	33.31	16	GU10214305	34.43	27	GU19213760	34.41	15
CM225715	33.31	17	GU10528900	34.34	15	GU19214660	34.43	11
CM225730	33.31	18	GU10528900	34.40	13	GU19215460	34.43	3
CM228301	34.47	1	GU10528900	34.42	23	GU19234600	34.44	2
CM228302	34.47	1	GU12003702	34.34	20	GU19237800	34.42	13
GU00823923140	33.03	7	GU12022600	34.10	6	GU19327601	34.09	5
GU00823923140	33.51	12	GU12022600	34.42	24	GU19328801	34.09	3
GU00823923140	33.52	32	GU12087001	34.41	9	GU19350700	34.10	22
GU00823931055	33.28	19	GU12154200	34.34	23	GU19351100	34.10	4
GU00823931070	33.12	2	GU12154200	34.42	12	GU19351900	34.10	2
GU00823944050	33.12	16	GU13021900	34.34	26	GU19352300	34.10	23
GU00823950050	33.26	21	GU13021900	34.36	12	GU19353500	34.10	24
GU01103860	33.01	13	GU14086000	34.41	10	GU19355200	34.10	35
GU01528930	34.10	9	GU14086100	34.41	7	GU19355202	34.10	36
GU01609630	33.18	14	GU14090201	34.41	1	GU19355300	34.10	33
GU01654630	33.19	17	GU14090400	34.41	2	GU19355301	34.10	33
GU01659130	33.19	11	GU14217901	34.40	6	GU19355302	34.10	33
GU01659131	33.19	12	GU14217901	34.42	7	GU19355303	34.10	33
GU01665410	33.26	6	GU14217901	34.44	17	GU19355304	34.10	33
GU01721600	33.30	14	GU14609650	33.30	17	GU19355305	34.10	33
GU01744200	33.28	18	GU14609650	33.31	27	GU19355306	34.10	33
GU02717450	33.30	11	GU14615901	33.13	5	GU19355307	34.10	33
GU03013800	33.23	8	GU14615901	34.09	20	GU19355308	34.10	33
GU03013800	34.47	10	GU14615901	34.37	5	GU19355309	34.10	33
GU03067730	34.10	19	GU14616150	33.24	15	GU19355320	34.10	27
GU03101600	33.12	7	GU14616150	33.25	10	GU19355321	34.10	27
GU03101720	33.12	5	GU18144350	34.39	16	GU19355322	34.10	27
GU03101900	33.12	3	GU18161150	34.39	21	GU19355323	34.10	27
GU03102200	33.12	6	GU18257551	33.26	8	GU19355324	34.10	27
GU03102400	33.12	10	GU19001200	34.35	2	GU19355325	34.10	27
GU03103500	33.12	4	GU19002020	34.35	5	GU19355326	34.10	27
GU03163330	33.31	3	GU19002020	34.42	16	GU19355327	34.10	27
GU03270300	33.26	34	GU19003602	34.34	13	GU19355328	34.10	27
GU03468100	33.01	21	GU19003800	34.34	8	GU19355329	34.10	27
GU03530529	33.08	2	GU19007700	34.35	10	GU19355400	34.10	21
GU03530530	33.08	1	GU19007700	34.45	8	GU19355402	34.10	21
GU03530551	33.08	12	GU19015020	34.34	5	GU19355404	34.10	21



Code	No. table	Pos.	Code	No. table	Pos.	Code	No. table	Pos.
GU19355406	34.10	21	GU31003766	34.34	14	GU32350410	34.10	13
GU19355408	34.10	21	GU31003766	34.40	19	GU32351410	34.10	16
GU19355410	34.10	21	GU31003766	34.42	26	GU32354610	34.10	18
GU19355411	34.10	21	GU31016050	34.39	20	GU32431310	33.02	9
GU19355412	34.10	21	GU31037015	34.38	13	GU32432711	33.03	11
GU19355413	34.10	21	GU31038015	34.38	5	GU32433011	33.03	6
GU19356700	34.10	30	GU31045015	34.38	26	GU32439260	33.51	3
GU19356760	34.41	16	GU31112965	33.52	33	GU32461610	33.14	2
GU19356801	34.10	28	GU31121880	33.23	9	GU32506360	33.28	1
GU19357660	34.10	25	GU31150950	34.39	26	GU32517710	33.31	8
GU19547000	34.09	12	GU31159050	34.39	15	GU32525410	33.08	10
GU20036020	34.38	1	GU31327783	34.09	2	GU32526310	33.08	16
GU20036120	34.38	2	GU31439565	33.13	4	GU32526610	33.08	15
GU20085720	34.41	13	GU31513480	33.08	20	GU32530502	33.08	13
GU20147710	34.39	17	GU31544181	34.09	15	GU32530503	33.08	14
GU20147810	34.39	3	GU31547882	34.09	14	GU32530504	33.08	28
GU20148410	34.39	4	GU31610160	33.24	17	GU32530505	33.08	22
GU20148610	34.39	5	GU31614183	33.24	9	GU32530610	33.08	32
GU20208520	34.44	9	GU31615260	33.24	6	GU32530611	33.08	33
GU20352421	34.10	31	GU31616384	33.24	12	GU32555210	33.11	4
GU20355121	34.10	34	GU31634281	33.27	4	GU32555211	33.11	5
GU23204471	34.40	21	GU31634481	33.25	15	GU32602860	33.18	12
GU23204571	34.40	22	GU31659181	33.27	11	GU32603010	33.18	16
GU23211372	34.43	8	GU31659281	33.27	12	GU32603310	33.18	7
GU23217800	34.38	3	GU31712365	34.45	9	GU32605510	33.18	2
GU23328081	34.09	7	GU32001610	34.35	6	GU32615660	33.24	14
GU23442210	33.06	11	GU32032310	34.38	11	GU32632510	33.25	17
GU23442210	33.26	11	GU32053410	34.38	16	GU32633360	33.25	14
GU23548080	34.09	8	GU32054510	34.38	17	GU32633560	34.10	11
GU23548180	34.09	9	GU320642104	34.37	1	GU32634160	33.27	5
GU23943410	33.08	31	GU32067910	34.40	5	GU32636160	33.25	21
GU27001136	34.35	7	GU32080310	34.40	1	GU32735510	33.32	5
GU27004985	34.34	18	GU32084410	34.40	4	GU32735511	33.32	5
GU27037521	34.38	4	GU32115010	34.47	3	GU32747910	33.31	9
GU27061585	34.37	3	GU32115011	34.47	8	GU32750661	33.29	4
GU27061885	34.37	17	GU32115510	34.47	7	GU32753410	33.28	3
GU27062060	34.37	6	GU32121010	33.23	7	GU32753410	33.29	8
GU27065660	34.37	7	GU32121910	33.23	25	GU32753711	33.28	14
GU27066460	34.37	9	GU32121911	33.23	26	GU32753711	33.29	6
GU27066560	34.37	8	GU32128610	33.23	13	GU32768710	34.39	8
GU27152885	34.34	22	GU32129010	33.23	14	GU32768810	34.39	9
GU27153085	34.39	14	GU32202010	34.43	28	GU32781910	33.16	16
GU27210760	34.41	12	GU32206510	34.42	22	GU32782510	33.32	2
GU27530510	33.08	25	GU32208210	34.42	8	GU32909960	33.33	4
GU27633910	33.25	4	GU32210510	34.43	1	GU32999010	34.34	25
GU28157950	33.51	8	GU32211110	34.43	9	GU32999510	34.34	24
GU28157950	33.52	37	GU32211410	34.43	6	GU35214300	34.09	13
GU28252060	33.02	8	GU32211810	34.43	5	GU39238100	34.43	25
GU28576591	33.12	13	GU32212011	34.43	2	GU49609601	33.30	17
GU28576591	33.15	4	GU32213610	34.43	14	GU49609601	33.31	27
GU28576591	34.45	13	GU32213810	34.42	5	GU53429500	33.02	3
GU28612033	33.25	18	GU32214010	34.43	24	GU61027200	34.37	20
GU29217960	34.45	7	GU32214510	34.43	20	GU61036801	34.36	3
GU29711460	34.45	5	GU32214810	34.43	21	GU61038100	34.38	6
GU29711960	34.45	11	GU32215010	34.43	22	GU61054900	34.38	18
GU29729461	33.31	2	GU32215210	34.43	23	GU61270300	33.27	22
GU29759150	33.18	17	GU32231010	34.44	5	GU61270300	34.10	26
GU30109330	33.23	24	GU32231210	34.44	4	GU61270300	34.34	6
GU30525861	33.08	11	GU32233010	34.44	6	GU61270300	34.36	21
GU30526761	33.08	5	GU32234110	34.44	13	GU61270300	34.40	17
GU30577800	33.29	13	GU32234410	34.44	1	GU66103415	33.01	14
GU30601060	33.18	25	GU32234710	34.44	11	GU90271018	34.38	12
GU30602500	33.18	22	GU32234810	34.44	12	GU90271117	34.43	29
GU30630430	33.25	19	GU32234910	34.44	16	GU90271121	34.43	19
GU30714201	34.45	3	GU32235710	34.44	14	GU90271124	34.43	4
GU30970200	33.33	7	GU32238210	34.44	10	GU90272023	34.09	4
GU31003766	34.10	8	GU32251610	33.06	8	GU90272075	34.40	3



Code	No. table	Pos.
GU90274026	34.44	3
GU90353009	34.36	4
GU90353029	34.38	24
GU90353030	34.10	17
GU90400616	34.41	11
GU90402538	33.25	6
GU90402642	33.24	8
GU90402842	34.35	9
GU90403246	34.40	20
GU90403251	34.10	38
GU90403549	34.10	3
GU90407591	34.10	15
GU90706076	34.34	29
GU90706111	34.39	22
GU90706140	34.42	4
GU90706141	33.30	16
GU90706170	34.41	8
GU90706188	34.10	29
GU90706188	34.43	18
GU90706203	34.10	7
GU90706203	34.42	25
GU90706235	34.41	14
GU90706281	34.34	19
GU90706444	34.34	17
GU90706584	34.10	37
GU90714082	33.52	31
GU91113826	33.23	29
GU91120806	33.15	6
GU91180601	33.15	10
GU91181003	33.18	11
GU91181003	33.19	18
GU91551010	33.52	25
GU91551086	33.14	11
GU91600450	34.45	10
GU92201070	34.10	14
GU92201220	34.43	16
GU92201225	34.40	10
GU92204215	34.42	2
GU92204217	33.25	5
GU92204218	33.25	3
GU92204221	33.24	7
GU92218417	34.43	10
GU92230320	34.43	13
GU92234716	34.43	26
GU92249220	34.10	32
GU92249225	33.07	2
GU92249227	34.10	20
GU92251028	34.43	7
GU92252210	34.39	2
GU92252235	34.10	5
GU92296723	34.39	6
GU92602406	34.38	9
GU92602510	34.39	19
GU92603010	34.36	11
GU92606206	33.17	6
GU92606208	34.34	7
GU92606208	34.40	18
GU92606210	33.01	9
GU92606210	33.02	5
GU92606210	33.11	7
GU92606210	34.09	18
GU92606316	33.25	16
GU92606508	34.41	3
GU92606512	34.42	14
GU92606516	34.45	4
GU92630104	33.27	19
GU92630106	33.08	27

Code	No. table	Pos.
GU92630108	33.15	5
GU92630204	33.16	14
GU92630206	33.26	5
GU92630510	33.01	3
GU92640508	33.23	19
GU92787006	33.28	6
GU92787006	33.29	11
GU92787008	34.09	19
GU93180105	34.09	21
GU93180111	33.24	13
GU93180220	34.40	9
GU93180245	34.36	22
GU93222023	33.17	4
GU93231605	33.29	14
GU933011755	33.23	20
GU93301313	33.51	15
GU93305057	34.47	13
GU93305061	33.52	22
GU93305061	34.47	15
GU93450126	33.28	15
GU93450127	33.28	15
GU93450127	33.29	7
GU93450224	33.29	3
GU94321079	34.39	24
GU94321099	34.09	6
GU94321105	34.41	4
GU95004210	33.31	4
GU95005306	33.17	3
GU95005306	33.23	28
GU95005308	33.28	23
GU95005308	34.09	22
GU95005310	33.15	7
GU95005311	33.51	4
GU95005330	33.08	26
GU95008205	33.30	15
GU95008206	34.39	23
GU95008208	33.01	6
GU95008208	34.46	3
GU95008210	33.01	8
GU95008210	33.02	6
GU95008210	34.09	17
GU95008305	33.18	20
GU95008306	33.19	20
GU95008306	33.27	21
GU95020105	33.03	10
GU95021104	33.19	19
GU95021105	33.18	21
GU95021206	33.17	5
GU95021206	33.28	8
GU95021206	33.29	10
GU95100059	33.26	24
GU95100059	33.31	13
GU95100116	34.47	12
GU95100125	34.45	14
GU95100141	33.12	14
GU95100141	33.15	14
GU95100244	34.38	29
GU95100309	34.39	27
GU95100602	34.39	25
GU95100709	34.34	21
GU95129115	34.38	22
GU95129180	34.34	27
GU95129180	34.36	13
GU95129181	33.11	6
GU95187006	34.39	13
GU95401215	33.26	10
GU95500222	34.41	6

Code	No. table	Pos.
GU95780271	34.41	5
GU96451316	33.27	15
GU96451430	34.34	3
GU96451560	34.34	2
GU96506042	34.36	5
GU96508055	34.10	12
GU96508055	34.34	4
GU96508145	34.36	20
GU96510181	34.36	15
GU96510214	34.36	14
GU97202325	33.18	26
GU98054422	34.38	28
GU98082435	34.46	2
GU98082565	33.02	7
GU98084314	34.39	12
GU98084314	34.40	12
GU98084316	34.40	7
GU98110007	33.23	23
GU98110199	33.01	7
GU98230510	33.16	4
GU98230510	33.18	19
GU98230612	34.44	7
GU98252420	33.06	23
GU98252420	33.26	32
GU98257410	33.27	18
GU98257618	34.44	15
GU98310609	34.47	11
GU98350215	33.29	12
GU98350416	33.01	5
GU98350440	33.13	3
GU98370412	33.19	4
GU98370515	33.14	17
GU98370609	33.17	2
GU98370609	33.23	27
GU98370616	33.12	21
GU98370616	33.13	9
GU98370616	33.31	7
GU98370625	33.14	4
GU98370625	33.26	7
GU98370655	33.28	7
GU98370655	33.29	9
GU98370831	33.28	22
GU98370835	33.15	8
GU98612216	33.03	9
GU98620335	34.39	7
GU98620540	33.08	18
GU98680265	34.45	6
GU98680330	33.08	3
GU98680330	34.35	4
GU98680335	34.35	8
GU98680350	33.08	30
GU98680435	34.40	15
GU98680435	34.42	19
GU98680440	33.23	17
GU98680450	34.40	16
GU98680545	34.09	16
GU98680555	33.01	10
GU98682116	33.12	8
GU98682212	33.30	14
GU98682212	33.31	12
GU98682215	33.26	18
GU98682322	34.47	9
GU98682325	34.34	11
GU98682325	34.35	3
GU98682330	34.40	14
GU98682330	34.42	18
GU98682414	33.01	12

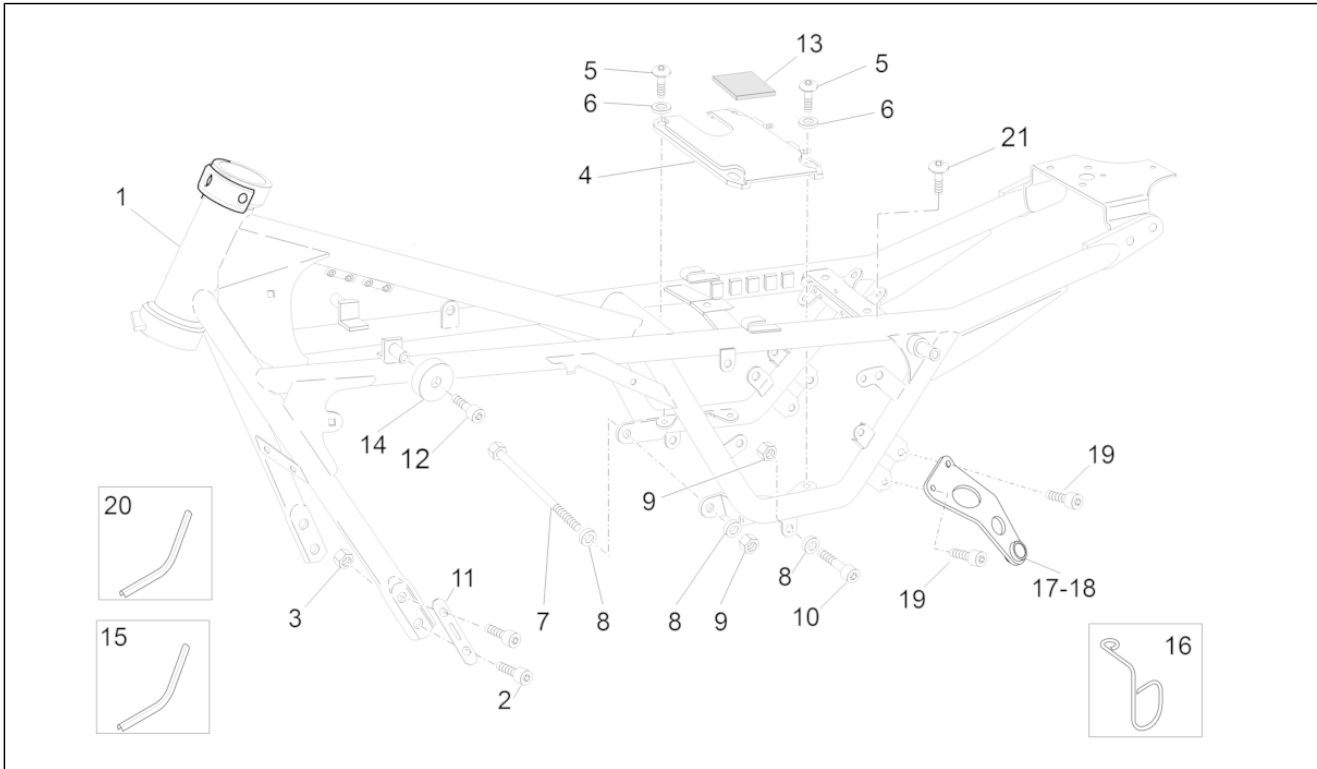


V7
GU102 - V7 Racer 750 2012-2013

Chassis prefix: ZGULWB00, ZGULWU02,
ZGULWUA2, ZGULWH00, ZGULWH01,
ZGULWH02, ZGULWV00, ZGULWC02
Engine prefix:

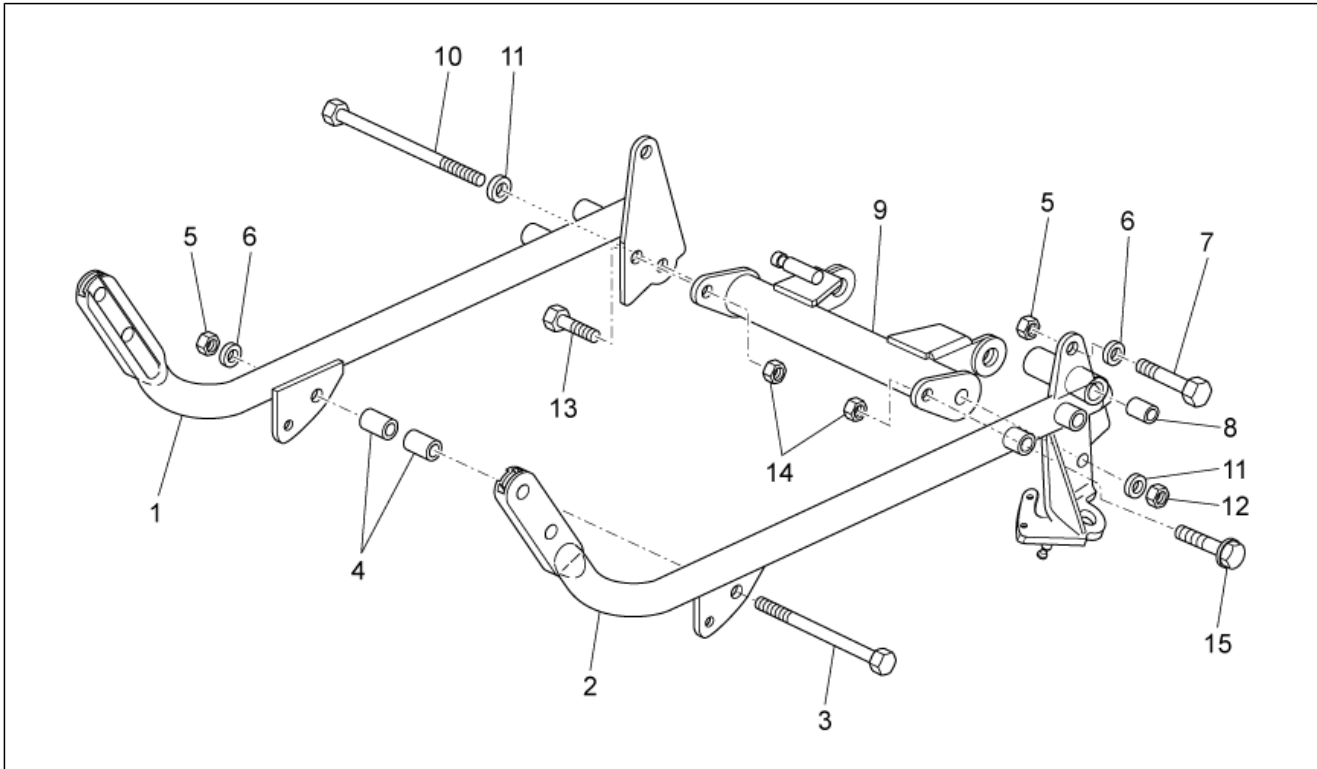
Code	No. table	Pos.
GU98682414	33.12	17
GU98682416	33.32	7
GU98682430	33.12	9
GU98682530	33.01	2
GU98690335	33.18	13
GU98692318	33.11	2
GU98692325	33.18	9
GU98692325	34.36	16
GU98692420	33.01	19
GU98880540	33.28	21
GU98882316	34.38	21

Group	FRAME
Code	33.01
Description	Frame I
Service	1



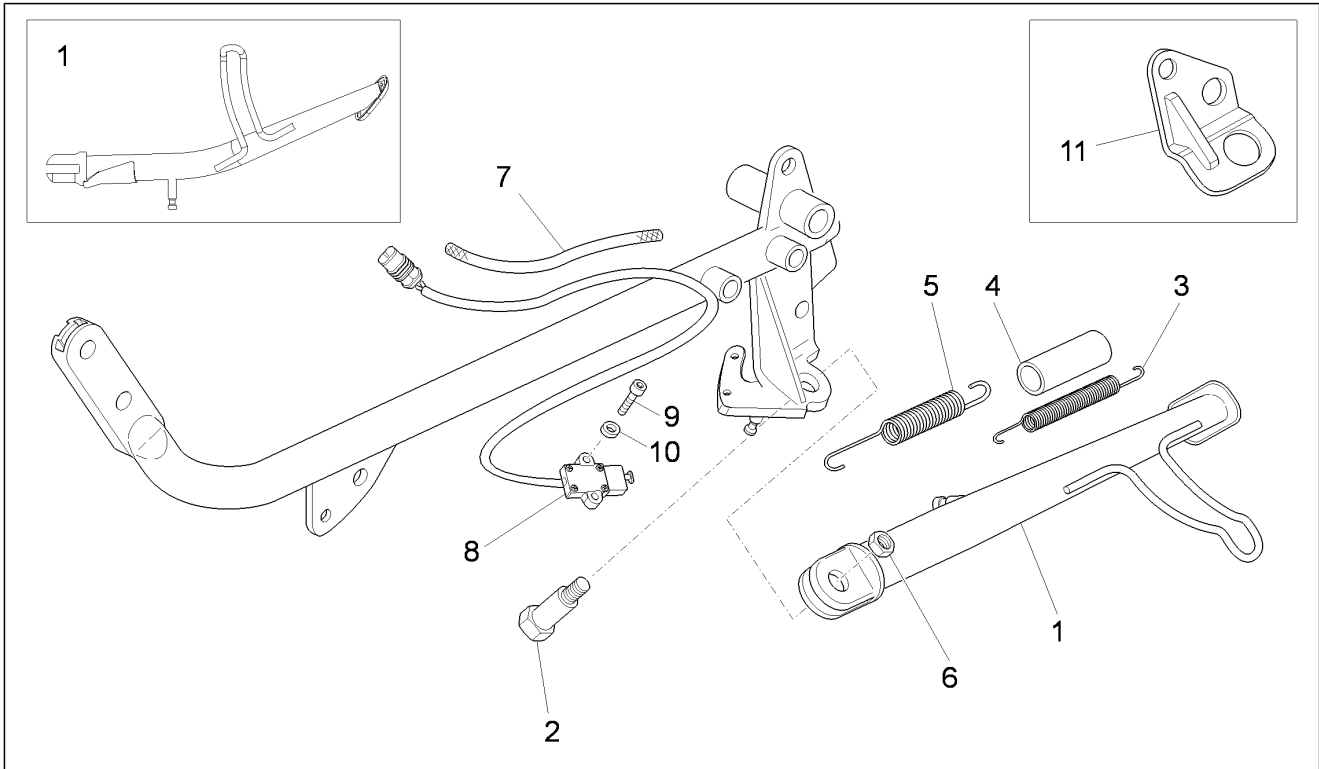
Pos.	Code	Description	Qty	Variants
1	B063251	Frame, red	1	
2	GU98682530	Hex socket screw M10x30	4	
3	GU92630510	Nut M10x1,5	4	
4	B063287	Piastra unione telaio	1	
5	GU98350416	Hex socket screw M8x16	4	
6	GU95008208	Washer 8,4X15X1,5	4	
7	GU98110199	Pin M10x205	1	
8	GU95008210	Washer 10,2X18X2	11	
9	GU92606210	Nut M10x1,5	2	
10	GU98680555	screw M10x55	2	
11	886645	Plate	2	
12	GU98682414	Hex socket screw	2	
13	GU01103860	Vibration-damping rubber	1	
14	GU66103415	Rubber spacer	2	
15	AP8144606	Gasket 10X5	1	
16	AP8221172	Cable-guide	1	
17	886581	RH plate	1	
18	886582	LH plate	1	
19	GU98692420	Hex socket screw M8x20	4	
20	AP8220590	Gasket	1	
21	GU03468100	screw	1	

Group	FRAME
Code	33.02
Description	Frame II
Service	1



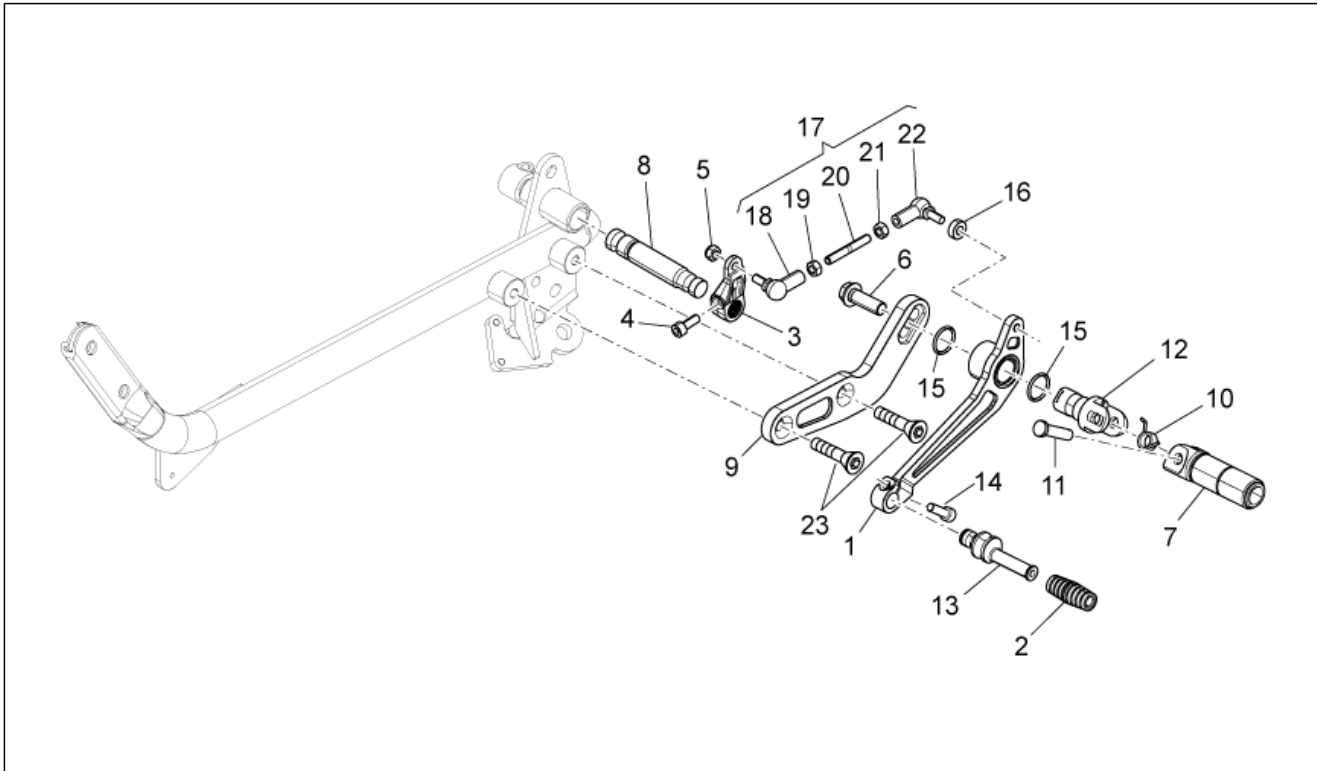
Pos.	Code	Description	Qty	Variants
1	B063249	RH cradle arm	1	
2	B063250	LH cradle arm	1	
3	GU53429500	Pin M10x250	1	
4	GU19017000	Bushing	2	
5	GU92606210	Nut M10x1,5	3	
6	GU95008210	Washer 10,2X18X2	3	
7	GU98082565	screw M10x65	2	
8	GU28252060	Bush 18 mm est.	2	
9	GU32431310	Cradle arms conn.crosspiece	1	
10	AP8121367	Pin M10x260	1	
11	AP8152220	Washer	2	
12	AP8150436	Low self-locking nut	1	
13	AP8152287	Screw w/ flange M8x25	1	
14	AP8152300	Self-locking nut M8	1	
15	AP8152288	Screw w/ flange	1	

Group	FRAME
Code	33.03
Description	Lateral stand
Service	1



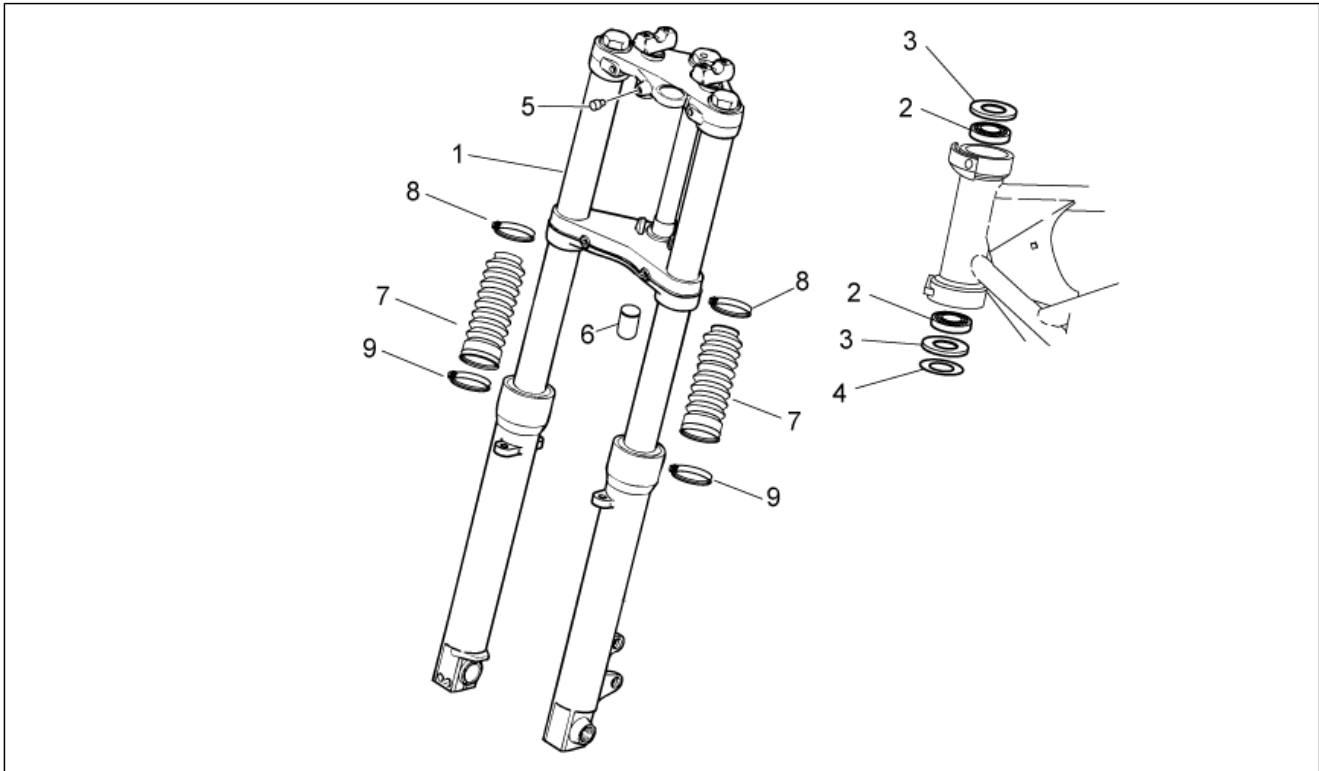
Pos.	Code	Description	Qty	Variants
1	883471	Side arm black	1	Country:Canadian[CA], USA[USA]
1	B063086	Lateral stand	1	Country:Australia[AA], europe[EU], Great Britain[UK]
2	AP8121375	Central stand fixing screw	1	Country:Australia[AA], europe[EU], Great Britain[UK]
2	AP8121607	Central stand fixing screw	1	Country:Canadian[CA], USA[USA]
3	AP8121014	Coil pull spring *	1	
4	AP8102524	Stand spring protection	1	
5	AP8221197	Lateral stand spring	1	
6	967356	Flanged nut M10x1,25	1	Country:Australia[AA], europe[EU], Great Britain[UK]
6	GU32433011	Nut	1	Country:Canadian[CA], USA[USA]
7	GU00823923140	Thermal sheath	1	
8	AP8127856	Lateral stand switch	1	
9	GU98612216	Hex socket screw	2	
10	GU95020105	Washer 5,3x8,9x2,4	2	
11	GU32432711	plate	1	Country:Canadian[CA], USA[USA]

Group	FRAME
Code	33.06
Description	Gear lever
Service	1



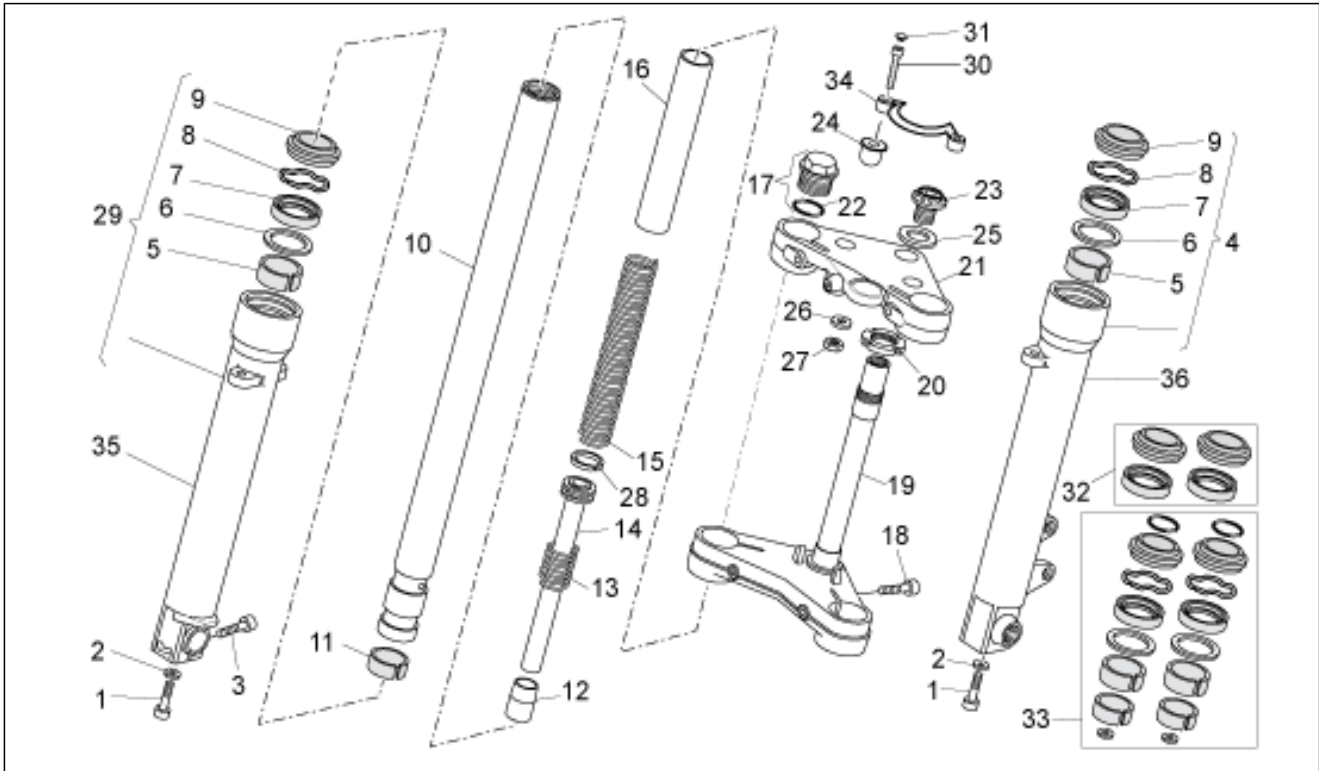
Pos.	Code	Description	Qty	Variants
1	898282	Gear lever	1	
2	AP8120912	Lever rubber	1	
3	898283	Shift lever	1	
4	AP8150137	Hex socket screw	1	
5	AP8150115	Low self-locking nut M6	1	
6	AP8152320	Screw w/ flange	1	
7	898281	RH Foot rests	1	
8	GU32251610	Lever pin	1	
9	898284	Rider footrest plate	1	
10	AP8221277	Footrest return spring	1	
11	GU23442210	Pin	1	
12	898611	LH front footrest bracket	1	
13	886665	Pin	1	
14	AP8150044	Hex socket screw M6x20	1	
15	AP9100477	O-ring 18x2	2	
16	886668	Spacer	1	
17	887280	Gear control tie rod	1	
18	AP8210007	RH ball joint M6	1	
19	AP8150026	Nut M6	1	
20	856796	Gearbox linkage rod	1	
21	AP8152138	Nut	1	
22	AP8110053	Left ball joint M6	1	
23	GU98252420	Screw M8x20	2	

Group	FRAME
Code	33.07
Description	Front fork I
Service	1



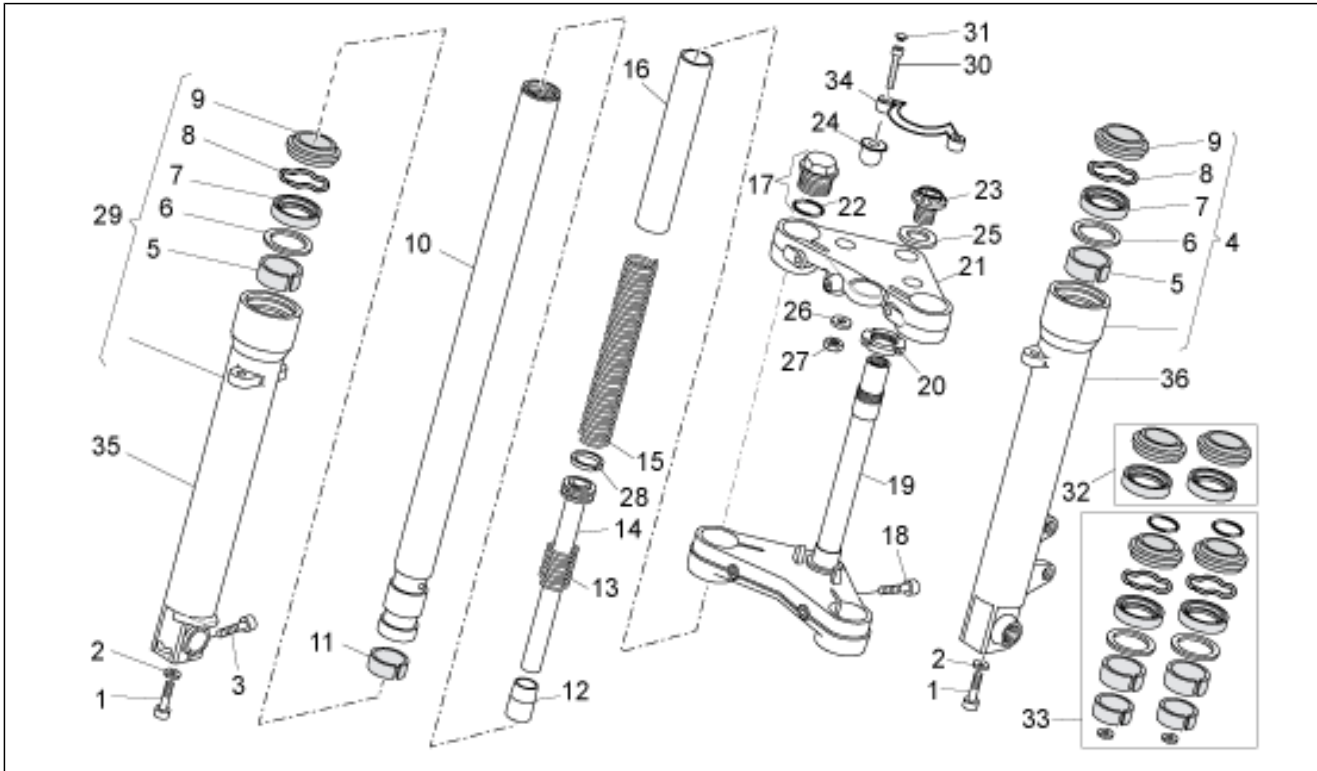
Pos.	Code	Description	Qty	Variants
1	97727R	Front fork	1	
2	GU92249225	Tap.roller bearing	2	
3	AP8144146	Gasket ring	1	
4	AP8121307	Washer	1	
5	AP8144081	Rubber spacer	1	
6	AP8220460	Rubber cup	1	
7	898086	Anti-dust tube	7	
8	CM001929	Hose clamp 36.5	2	
9	CM001928	Hose clamp 44	2	

Group	FRAME
Code	33.08
Description	Fron fork II
Service	1



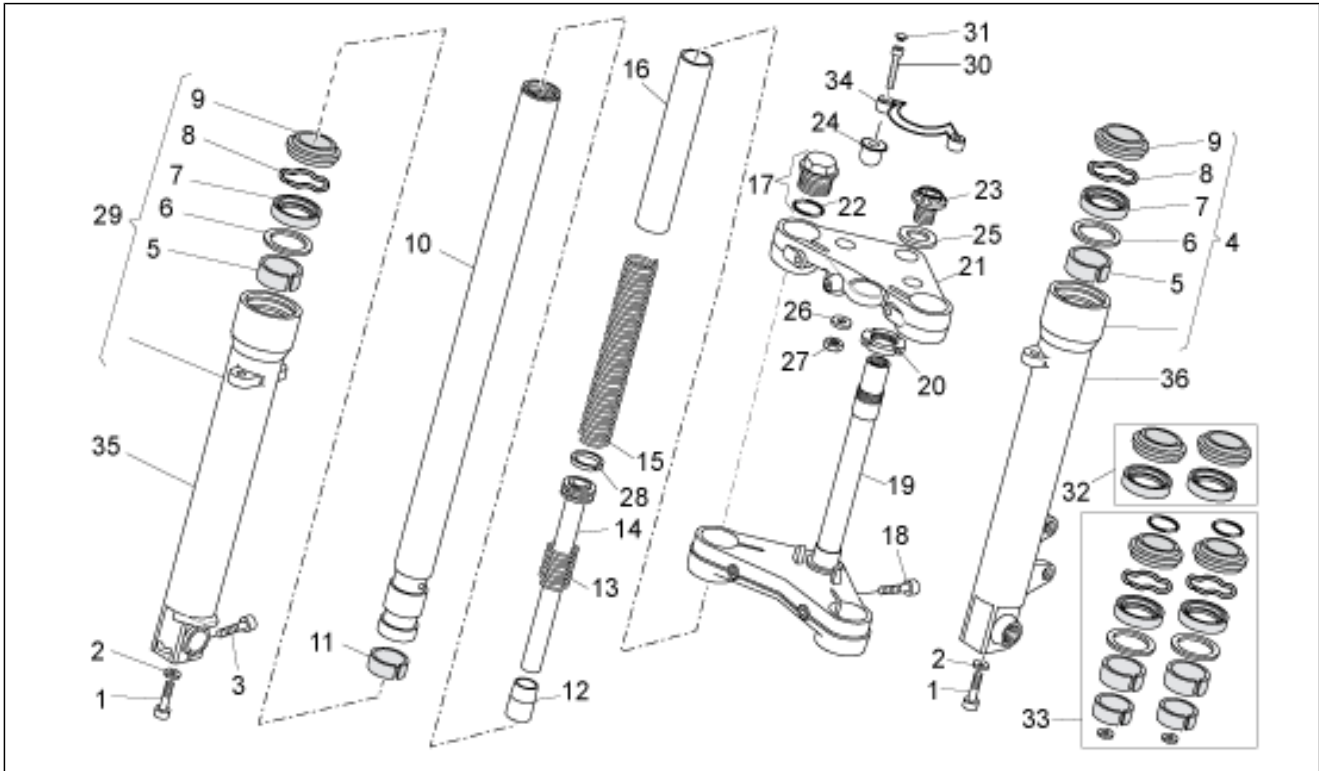
Pos.	Code	Description	Qty	Variants
1	887878	screw M10x30	2	Technical specification:Kaifa[K]
1	GU03530530	screw M10x30	2	Technical specification:Marzocchi[M]
2	887879	Washer	2	Technical specification:Kaifa[K]
2	GU03530529	Washer	2	Technical specification:Marzocchi[M]
3	887880	screw	2	Technical specification:Kaifa[K]
3	GU98680330	Hex socket screw M6x30	2	Technical specification:Marzocchi[M]
4	978978	LH sleeve cpl. Black	1	Technical specification:Marzocchi[M]
5	887882	Upper bush	2	Technical specification:Kaifa[K]
5	GU30526761	Upper bush	2	Technical specification:Marzocchi[M]
6	599504	Cup (Marzocchi)	2	Technical specification:Marzocchi[M]
6	887883	Washer	2	Technical specification:Kaifa[K]
7	599501	Gasket ring (Marzocchi)	2	Technical specification:Marzocchi[M]
7	887884	Gasket ring	2	Technical specification:Kaifa[K]
8	599503	Stop ring (Marzocchi)	2	Technical specification:Marzocchi[M]
8	887885	Stop ring	2	Technical specification:Kaifa[K]
9	599502	Dust cover + spring (Marzocchi)	2	Technical specification:Marzocchi[M]
9	887886	Dust cover	2	Technical specification:Kaifa[K]
10	887887	Sleeve	2	Technical specification:Kaifa[K]
10	GU32525410	Sleeve	2	Technical specification:Marzocchi[M]
11	887888	Bush	2	Technical specification:Kaifa[K]
11	GU30525861	Lower bush	2	Technical specification:Marzocchi[M]
12	887889	Pad	2	Technical specification:Kaifa[K]
12	GU03530551	Pad	2	Technical specification:Marzocchi[M]
13	887890	Return spring	2	Technical specification:Kaifa[K]
13	GU32530502	Return spring	2	Technical specification:Marzocchi[M]
14	887891	Plunger, complete	2	Technical specification:Kaifa[K]
14	GU32530503	Plunger, complete	2	Technical specification:Marzocchi[M]
15	887892	Spring	2	Technical specification:Kaifa[K]

Group	FRAME
Code	33.08
Description	Fron fork II
Service	1



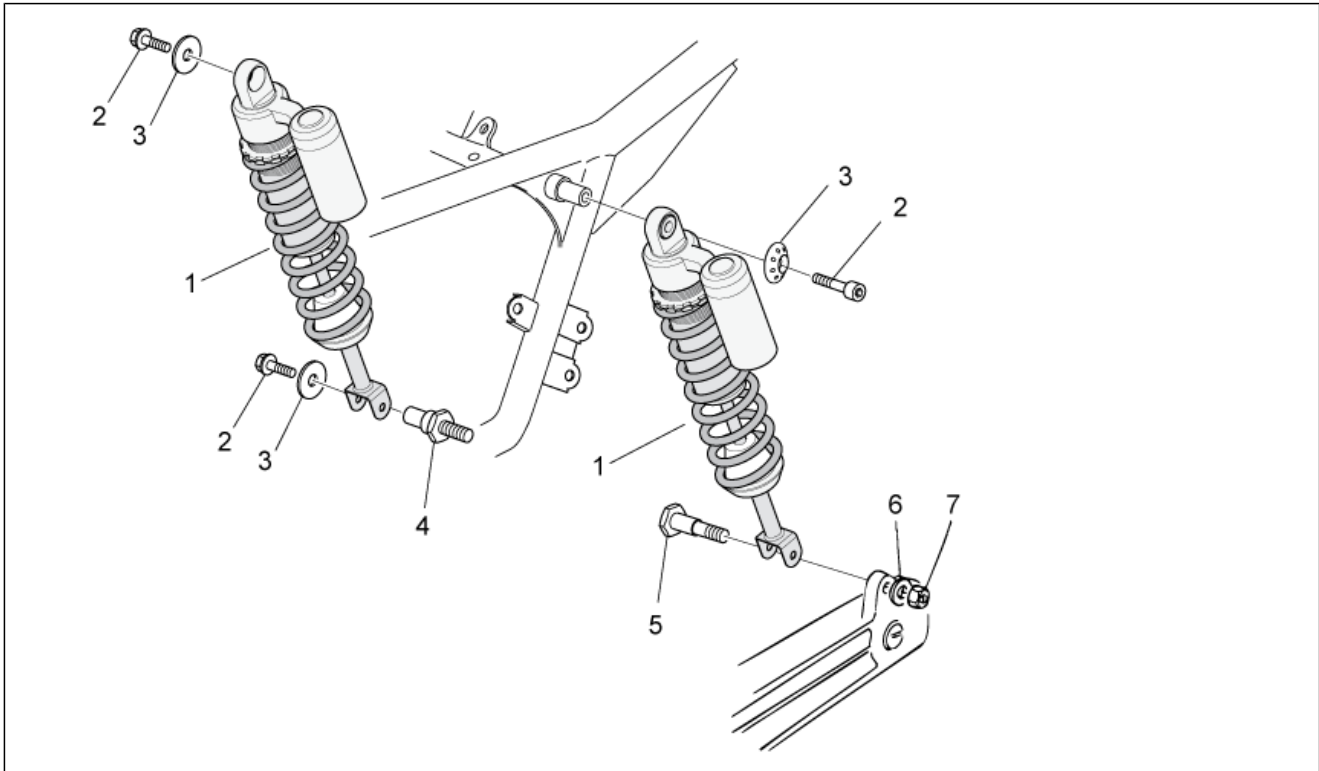
Pos.	Code	Description	Qty	Variants
15	GU32526610	Spring	2	Technical specification:Marzocchi[M]
16	887893	pipe	2	Technical specification:Kaifa[K]
16	GU32526310	pipe	2	Technical specification:Marzocchi[M]
17			2	Technical specification:Kaifa[K]
17	886684	Plug cpl.	2	Technical specification:Marzocchi[M]
18	887895	screw	2	Technical specification:Kaifa[K]
18	GU98620540	screw	2	Technical specification:Marzocchi[M]
19	887896	Stem base	1	Technical specification:Kaifa[K]
19	978974	Stem base Black	1	Technical specification:Marzocchi[M]
20	GU31513480	Ring nut M25X1	1	
21	886842	Fork upper plate	1	
22	887916	O-ring 4118	2	Technical specification:Kaifa[K]
22	GU32530505	O-ring 4118	2	Technical specification:Marzocchi[M]
23	883498	Upper plate fixing bush	1	Technical specification:Marzocchi[M]
23	887900	Nut	1	Technical specification:Kaifa[K]
24	883552	Bush	2	
25	887899	Washer	1	Technical specification:Kaifa[K]
25	GU27530510	Washer	2	Technical specification:Marzocchi[M]
26	GU95005330	Washer 6,4x30x1,5	2	
27	GU92630106	Nut M6x1	2	
28	887905	Ring	2	Technical specification:Kaifa[K]
28	GU32530504	Ring	2	Technical specification:Marzocchi[M]
29	978977	RH sleeve cpl.	1	Technical specification:Marzocchi[M]
30	GU98680350	Hex socket screw M6x50	2	
31	GU23943410	Plug	8	
32	GU32530610	Gaskets set	1	Technical specification:Marzocchi[M]
33	GU32530611	Engine oil seal kit	1	Technical specification:Marzocchi[M]
34	883602	Pipe	1	

Group	FRAME
Code	33.08
Description	Fron fork II
Service	1



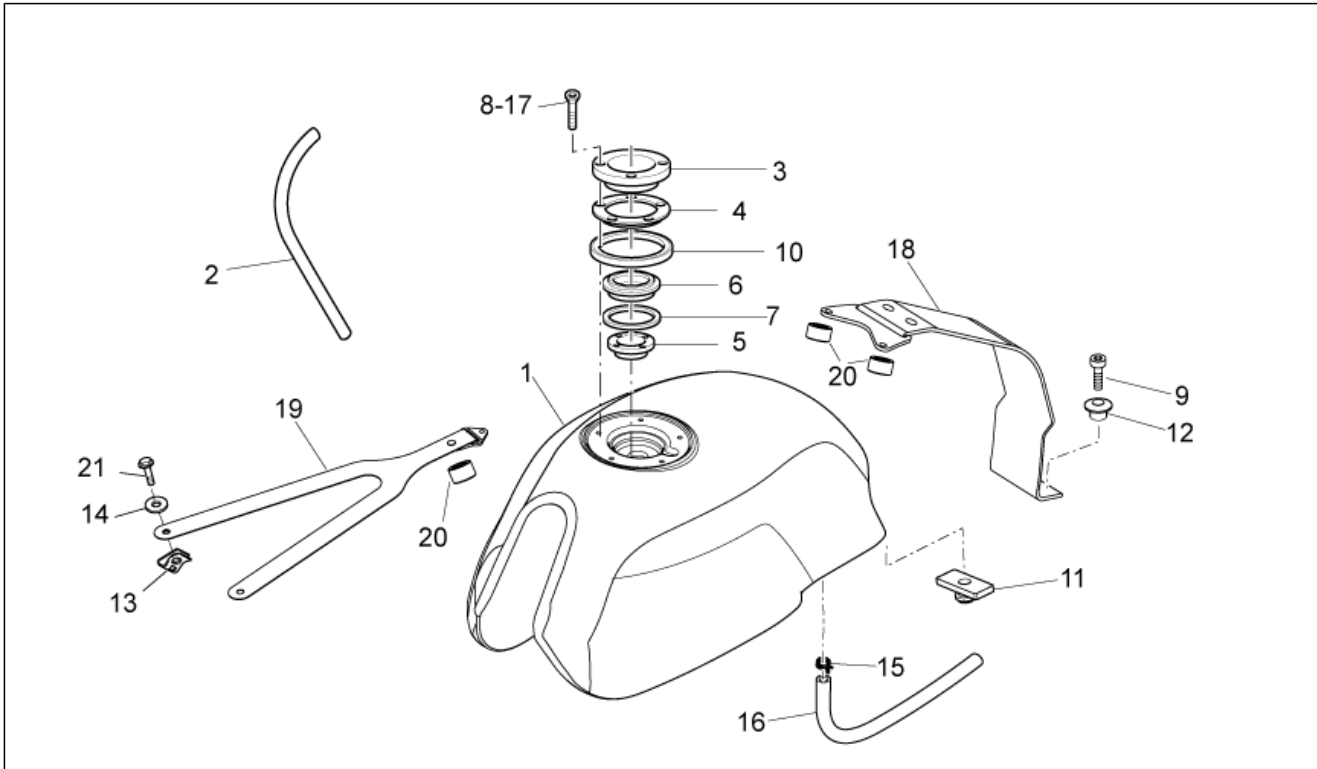
Pos.	Code	Description	Qty	Variants
35	887906	RH sleeve	1	Technical specification:Kaifa[K]
36	887881	LH sleeve	1	Technical specification:Kaifa[K]

Group	FRAME
Code	33.11
Description	Rear shock absorber
Service	1



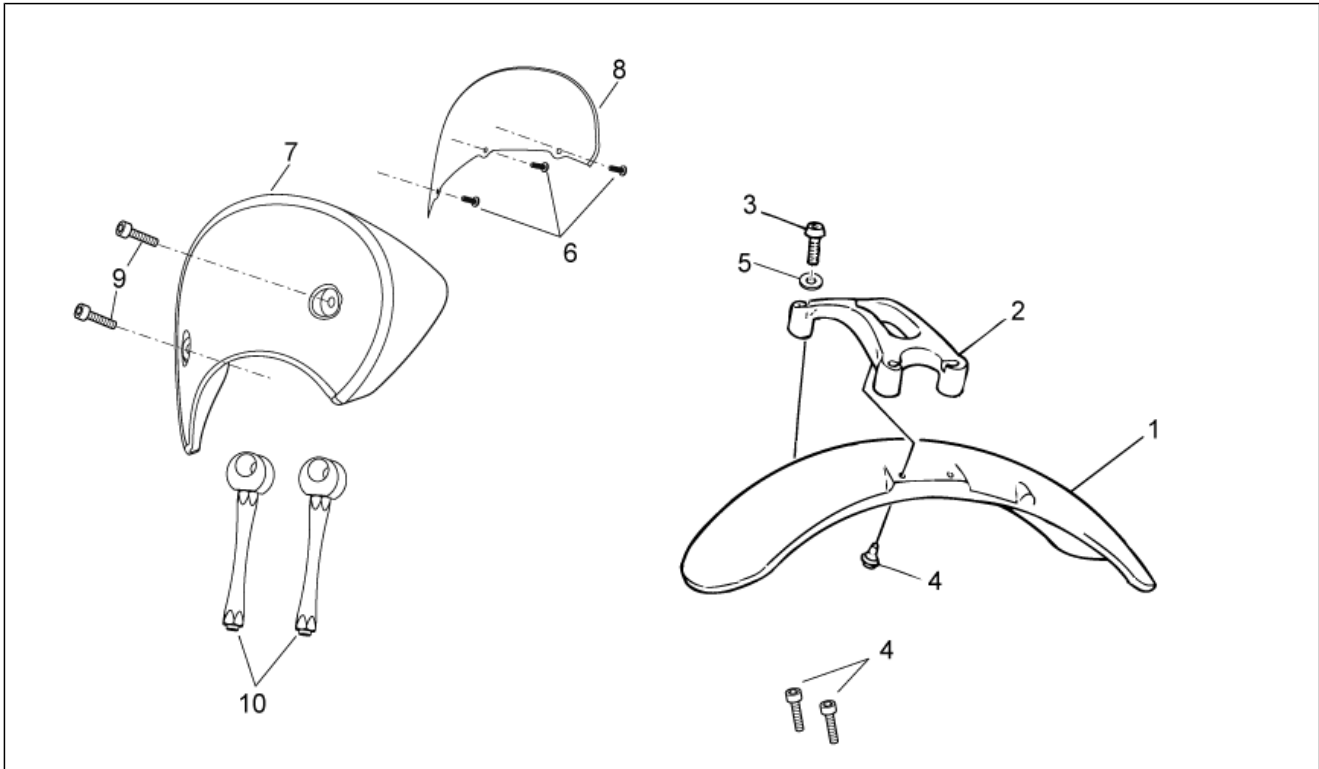
Pos.	Code	Description	Qty	Variants
1	886675	Rear shock absorber	2	
2	GU98692318	Hex socket screw	3	
3	886630	***Bush	3	
4	GU32555210	Pin	1	
5	GU32555211	Pin	1	
6	GU95129181	Washer	1	
7	GU92606210	Nut M10x1,5	1	

Group	FRAME
Code	33.12
Description	Fuel tank
Service	1



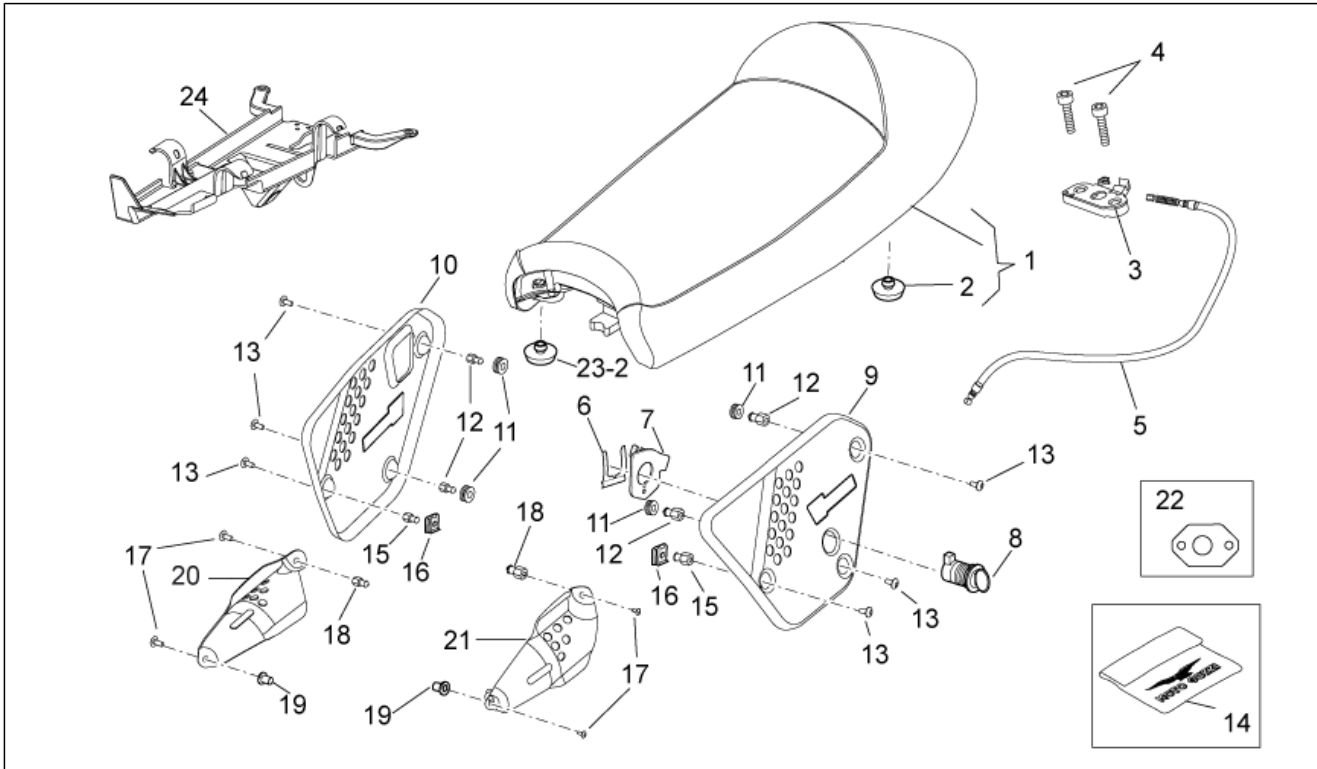
Pos.	Code	Description	Qty	Variants
1	887207	Serbatoio benz. grezzo	1	Country:Australia[AA], europe[EU], Great Britain[UK]
1	887944	Fuel tank blank	1	Country:Canadian[CA], USA[USA] Technical specification:Blank[G]
1	B063163	Tank Chrome	1	Country:Canadian[CA], europe[EU], Great Britain[UK]
1	B063808	Fuel tank chrome	1	Country:Canadian[CA], USA[USA]
2	GU00823931070	Gasket	1	
3	GU03101900	Flange	1	
4	GU03103500	Ring	1	
5	883502	Reduction 24 mm	1	Year:2012[c] Country:USA[USA]
5	GU03101720	Reduction 38 mm	1	Country:Australia[AA], Canadian[CA], europe[EU], Japan[J], Great Britain[UK]
6	GU03102200	Plug ring nut	1	
7	GU03101600	Gasket	2	
8	GU98682116	screw	3	
9	GU98682430	Hex socket screw M8x30	1	
10	GU03102400	Gasket	1	
11	AP8120557	Tank rubber	1	
12	AP8121673	T bush *	1	
13	GU28576591	Clip M6	2	
14	GU95100141	Washer 6,4x12x1,2	2	
15	AP8101595	Hose clamp D10,1	1	
16	GU00823944050	pipe 5X9	1	
17	GU98682414	Hex socket screw	2	
18	B063154	Rear belt	1	
19	B063152	Front belt	1	
20	886370	Spacer bush 5.5x9.5x5.5	3	
21	GU98370616	Hex socket screw M6x16 inox	2	

Group	FRAME
Code	33.13
Description	Front body - Front mudguard
Service	1



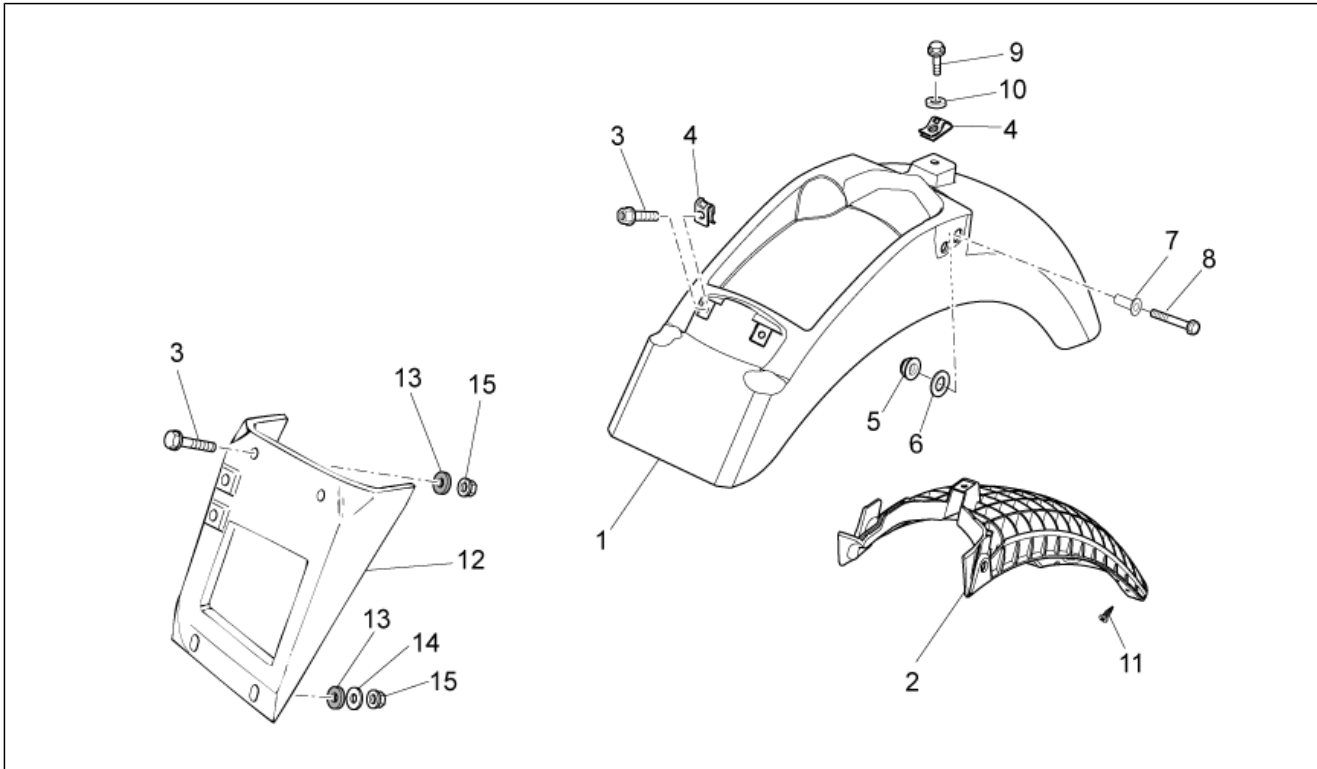
Pos.	Code	Description	Qty	Variants
1	88673000Y02	Front mudguard, black	1	
2	886784	Stabilization plate	1	
3	GU98350440	screw	4	
4	GU31439565	Special screw	4	
5	GU14615901	Washer 8,4X13X0,8	4	
6	AP8150413	Self-tap screw 3,9x14	3	
7	898179	Headlight windshield blank	1	
7	B06315000Y02	Front fairing, black	1	
8	898180	Windshield	1	
9	GU98370616	Hex socket screw M6x16 inox	2	
10	886724	Windshield support	2	

Group	FRAME
Code	33.14
Description	Saddle-Central bod
Service	1



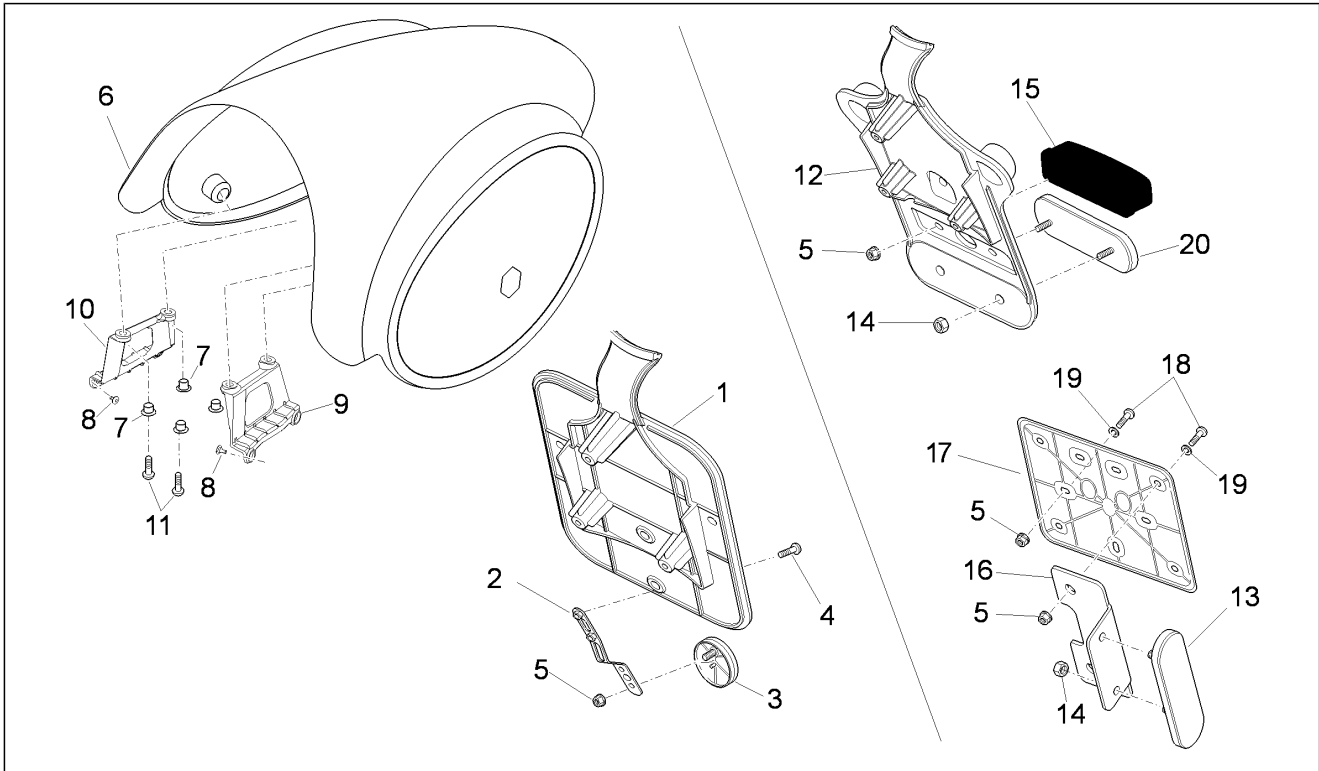
Pos.	Code	Description	Qty	Variants
1	89817800A2	Saddle, brown	1	
2	GU32461610	Rubber spacer	8	
3	AP8102913	Pass.saddle connecting plate	1	
4	GU98370625	Hex socket screw	2	
5	883295	Saddle release cable	1	
6	AP8121420	Fork spring	1	
7	978415	Cable fixing plate	1	
8	977527	Serratura completa di chiavi	1	
9	898278	LH side panel	1	Technical specification:no decals[ND]
10	898277	RH side panel	1	Technical specification:no decals[ND]
11	GU91551086	Rubber spacer	4	
12	886368	Fixing pin	4	
13	976614	Screw M5X15	6	
14	886841	Saddle protection bag	1	
15	886706	Fixing pin	2	
16	254485	Spring plate M6	2	
17	GU98370515	screw	4	
18	AP8120531	Rubber w/ insert *	2	
19	886727	Fixing pin	2	
20	898270	Right throttle cover	1	
21	898271	Left throttle cover	1	
22	886820	Saddle lock fix.plate	1	
23	B063429	Rubber spacer	2	
24	B063431	Protection	0	

Group	FRAME
Code	33.15
Description	Rear body I- Mudguard
Service	1



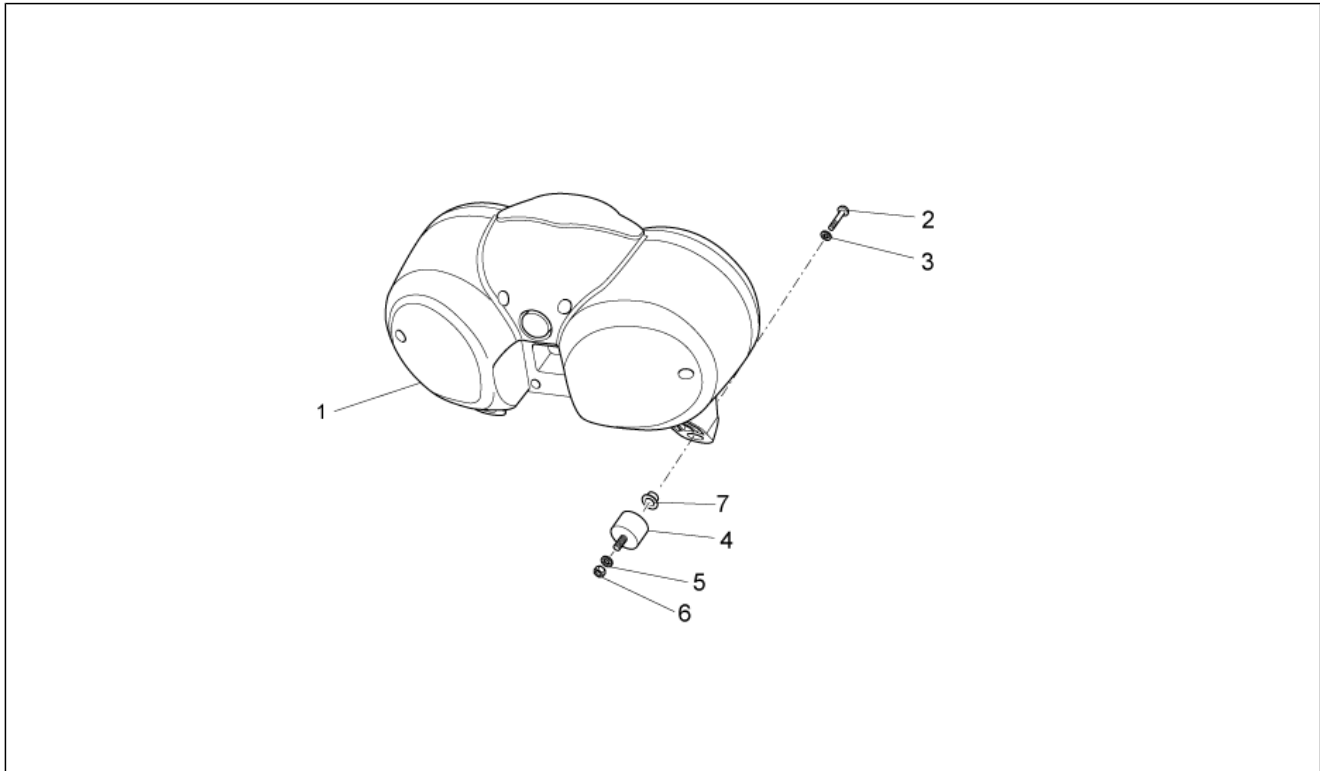
Pos.	Code	Description	Qty	Variants
1	97894600Y02	Rear mudguard, black	1	
2	978947	Support	1	
3	AP8152278	Screw w/ flange M6x16	4	
4	GU28576591	Clip M6	3	
5	GU92630108	Nut	2	
6	GU91120806	Spacer	2	
7	GU95005310	Washer 8,4x18x2	2	
8	GU98370835	screw	2	
9	AP8152279	Screw w/ flange M6x20	2	
10	GU91180601	Spacer 6,2x8x3	2	
11	AP8152329	Phillips screw, SWP M5x20	3	
12	B063167	Splash guard	1	
13	AP8121032	Bush	4	
14	GU95100141	Washer 6,4x12x1,2	2	
15	AP8152299	Self-locking nut M6	4	

Group	FRAME
Code	33.16
Description	Rear body II- Plate holder
Service	1



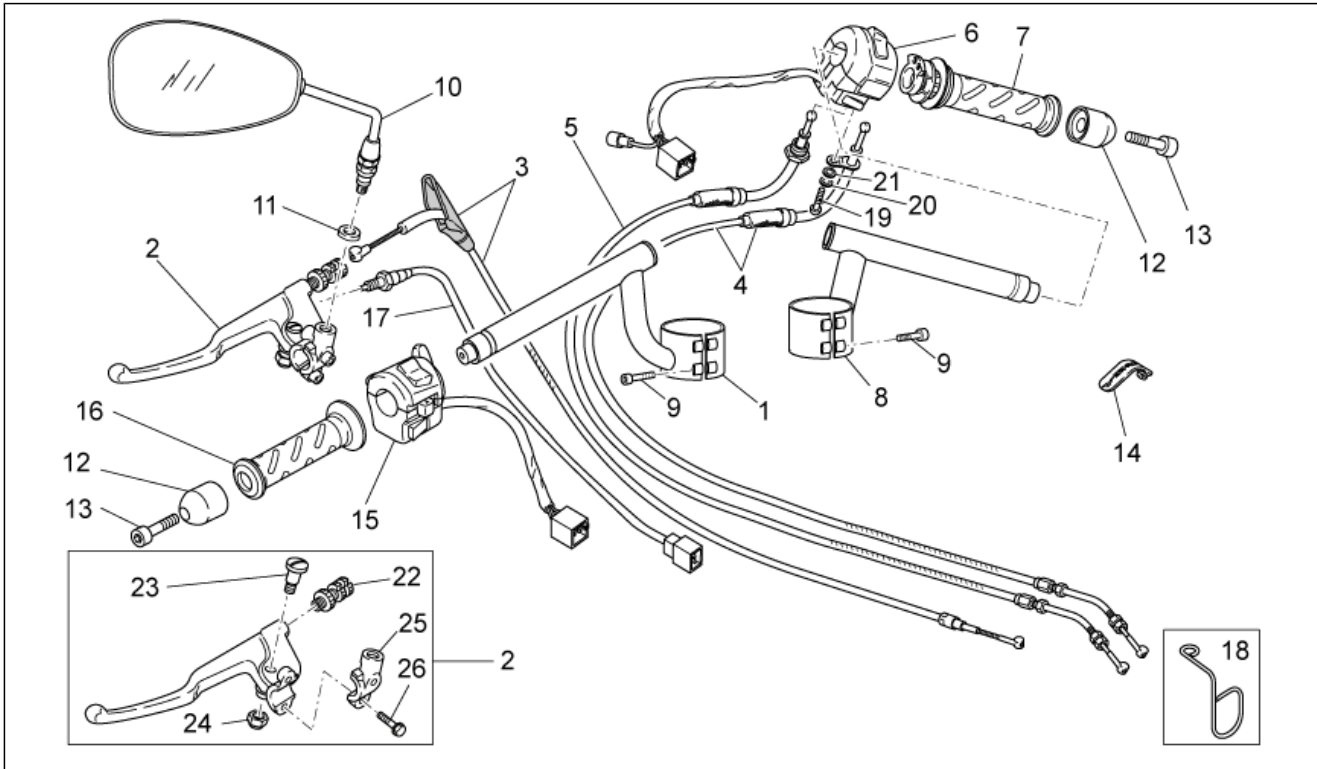
Pos.	Code	Description	Qty	Variants
1	978949	Number plate holder	1	Country:Australia[AA], europe[EU], Great Britain[UK]
2	AP8134448	Reflector support	1	
3	AP8224164	Rear reflector, red	1	
4	GU98230510	Hex socket screw	2	
5	AP8152306	Self-locking nut m5	1	
6	898280	Rear fairing, blank	1	
6	B06315100Y02	Rear fairing, black	1	
7	AP8121929	T bush 6,5x8,6x9	4	
8	AP8152339	Screw w/ flange M5x9	4	
9	886712	LH clamp	1	
10	886713	RH clamp	1	
11	AP8152273	Screw w/ flange M5x16	4	
12	883470	Number plate holder	1	Country:Canadian[CA], USA[USA]
13	AP8124718	Rear reflector, red	2	Country:Canadian[CA], USA[USA]
14	GU92630204	Nut	6	Country:Canadian[CA], USA[USA]
15	883480	Number-plate light	1	Country:Canadian[CA], USA[USA]
16	GU32781910	Reflector support	2	Country:Canadian[CA], USA[USA]
17	AP8149034	Number plate support	1	Country:Canadian[CA], USA[USA]
18	AP8152268	Hex socket screw M5x16	2	Country:Canadian[CA], USA[USA]
19	AP8150248	Washer 5,5x15x1,6	2	Country:Canadian[CA], USA[USA]
20	GU05781630	Reflector, amber	1	Country:Canadian[CA], USA[USA]

Group	FRAME
Code	33.17
Description	Dashboard
Service	1



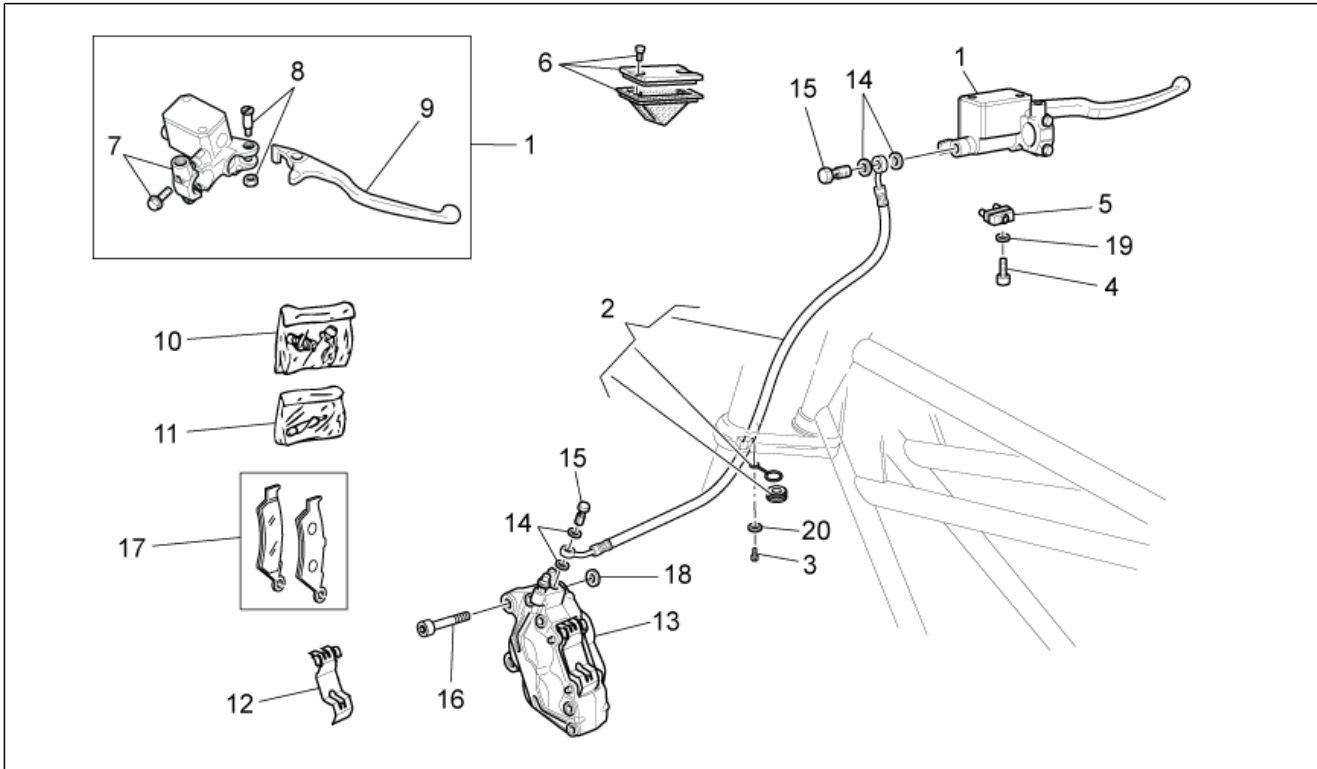
Pos.	Code	Description	Qty	Variants
1	887194	Dashboard complete km/h	1	Country:Canadian[CA], europe[EU]
1	887195	Dashboard complete MPH	1	Country:Great Britain[UK], USA[USA]
2	GU98370609	Hex socket screw M6x10	3	
3	GU95005306	Washer 6,4x13x1,5	3	
4	GU93222023	Silent-block	3	
5	GU95021206	Washer	3	
6	GU92606206	Nut	3	
7	AP8121032	Bush	3	

Group	FRAME
Code	33.18
Description	Handlebar - Controls
Service	1



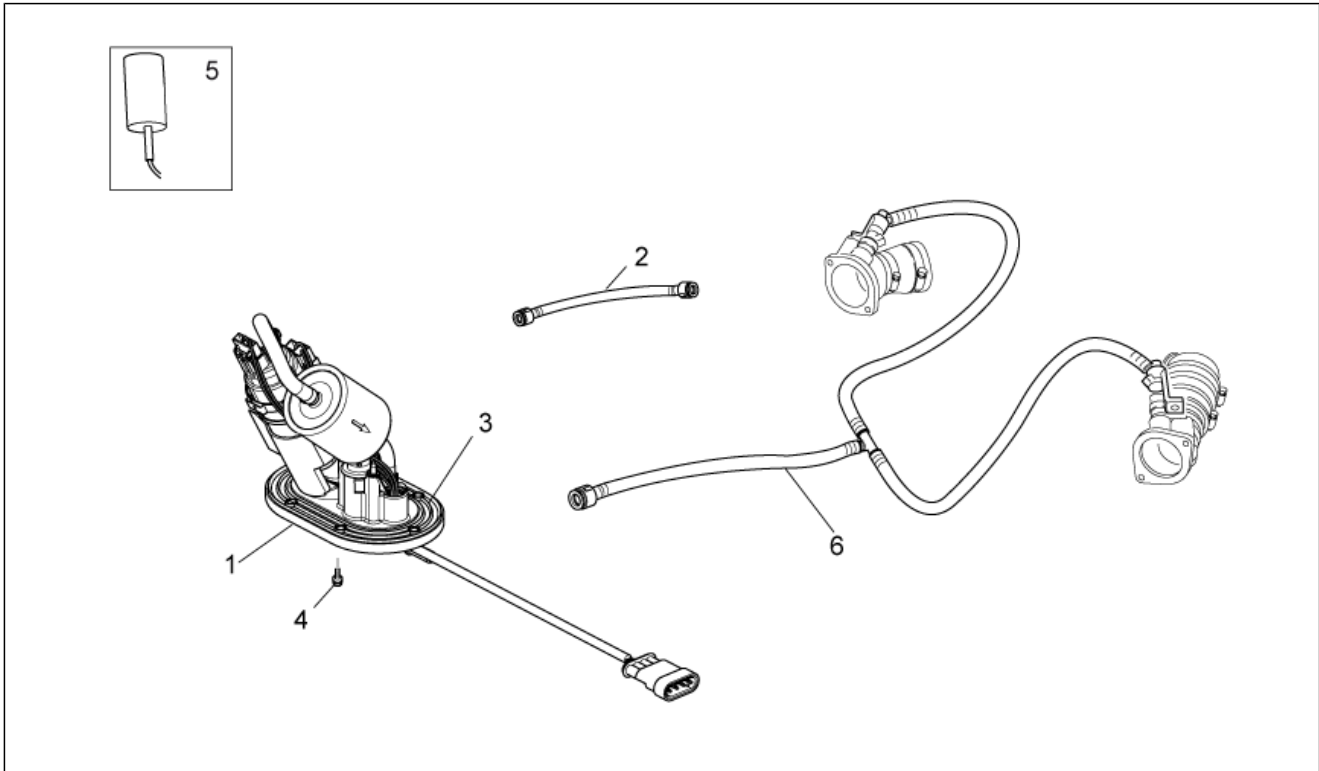
Pos.	Code	Description	Qty	Variants
1	898170	Left half handlebar	1	
2	GU32605510	Clutch lever	1	
3	883940	Clutch cable	1	
4	B063247	Gas trasmission delivery	1	
5	B063248	Gas trasmission return	1	
6	B063135	RH lights selector	1	
7	GU32603310	RH hand grip	1	
8	898171	Right half handlebar	1	
9	GU98692325	Hex socket screw M6x25	4	
10	883802	RH/LH rearview mirror	2	Technical specification:"FU E1181R-001047"[B]
10	978570	RH/LH rearview mirror	2	Technical specification:"FAR"[A]
11	GU91181003	Spacer 10,25X20X4	2	
12	GU32602860	Anti.v weight, chr.	2	
13	GU98690335	Hex socket screw	2	
14	GU01609630	Hose clamp L46 mm	2	
14	GU03609600	Hose clamp L36 mm	1	
15	887822	LH lights selector	1	
16	GU32603010	LH hand grip	1	
17	GU29759150	Lateral stand switch	1	
18	AP8221172	Cable-guide	1	
19	GU98230510	Hex socket screw	1	
20	GU95008305	Washer 5,3X10X1	1	
21	GU95021105	Notched washer	1	
22	GU30602500	Register	1	
23	AP8213028	screw	1	
24	AP8118490	Nut	1	
25	GU30601060	Clump	1	
26	GU97202325	Black screw w/ flange M6x25	2	

Group	FRAME
Code	33.19
Description	Front brake system
Service	1



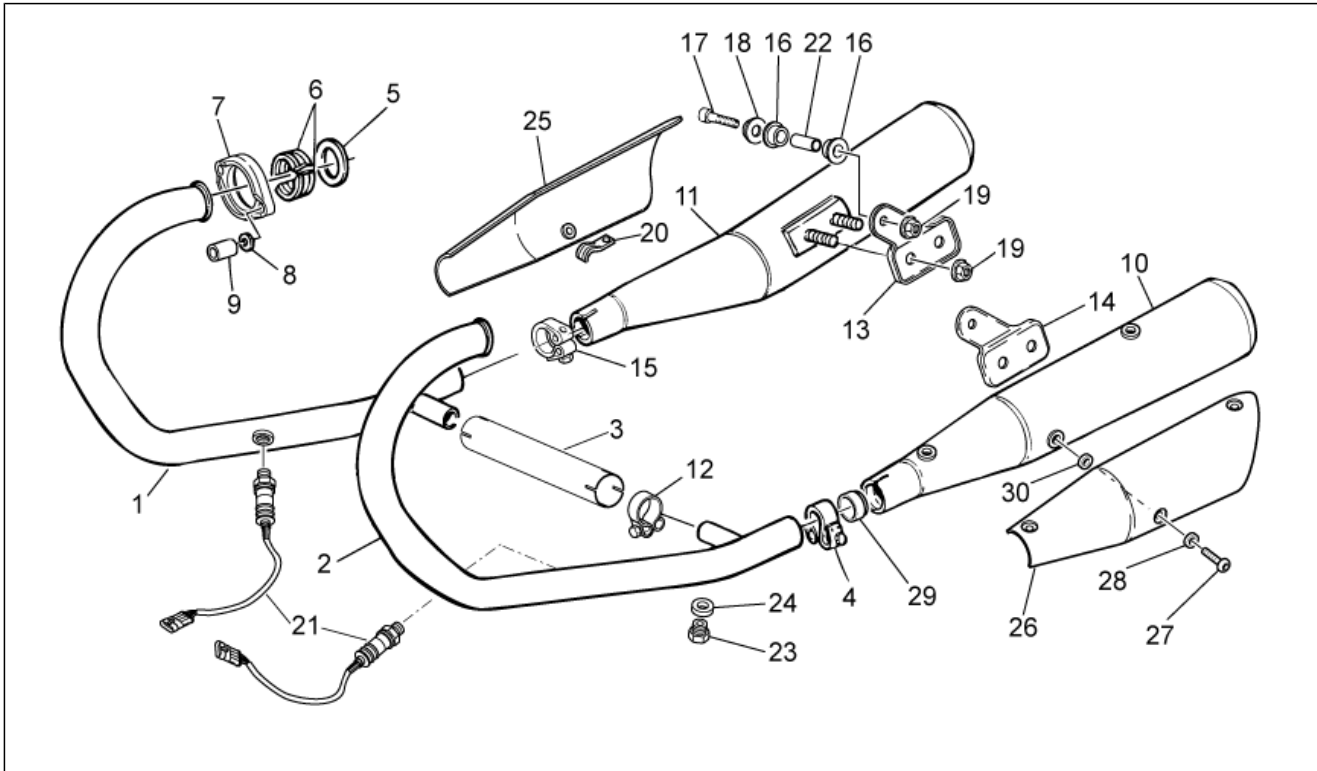
Pos.	Code	Description	Qty	Variants
1	GU03660145	Front master cilinder	1	
2	883581	Brake hose	1	
3	AP8152277	Screw w/ flange M6x12	1	
4	GU98370412	Hex socket screw M4x12	1	
5	GU03749845	Stop switch	1	
6	GU03661145	Pump cover	1	
7	GU03664045	U-bolt	1	
8	GU03604845	Lever pin	1	
9	GU03605645	Brake lever	1	
10	GU05659230	Bleeder+cap	1	
11	GU01659130	Pins+Caliper springs	1	
12	GU01659131	Spring	1	
13	883303	LH front brake caliper, black	1	
14	AP8113004	Washer 10x14x1,6*	4	
15	978323	Oil pipe screw *	2	
16	AP8152385	Hex socket screw M10x1,25	2	
17	GU01654630	Pads pair	1	
18	GU91181003	Spacer 10,25X20X4	2	
19	GU95021104	Washer 4,3x8x1,5	1	
20	GU95008306	Washer 6,4x12x1,2	1	

Group	FRAME
Code	33.21
Description	Fuel pump
Service	1



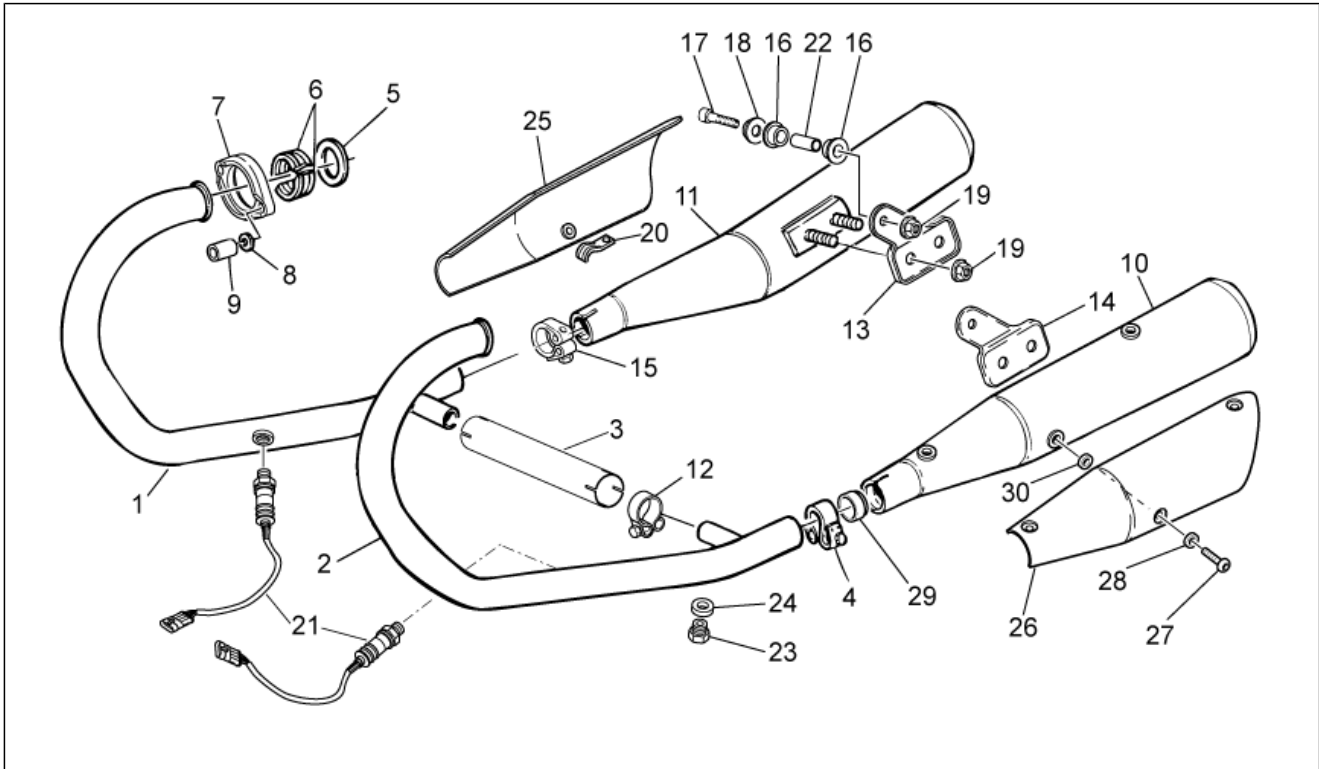
Pos.	Code	Description	Qty	Variants
1	B063645	Gruppo Aspirazione Carburante	1	Country:Canadian[CA], USA[USA]
1	B063752	Fuel pump	1	
2	B063033	Fuel pipe	1	
3	GU05107430	Gasket	1	
4	AP8152273	Screw w/ flange M5x16	6	
5	887787	Fuel level sensor	1	
6	B063034	Fuel pipe	1	

Group	FRAME
Code	33.23
Description	Exhaust unit
Service	1



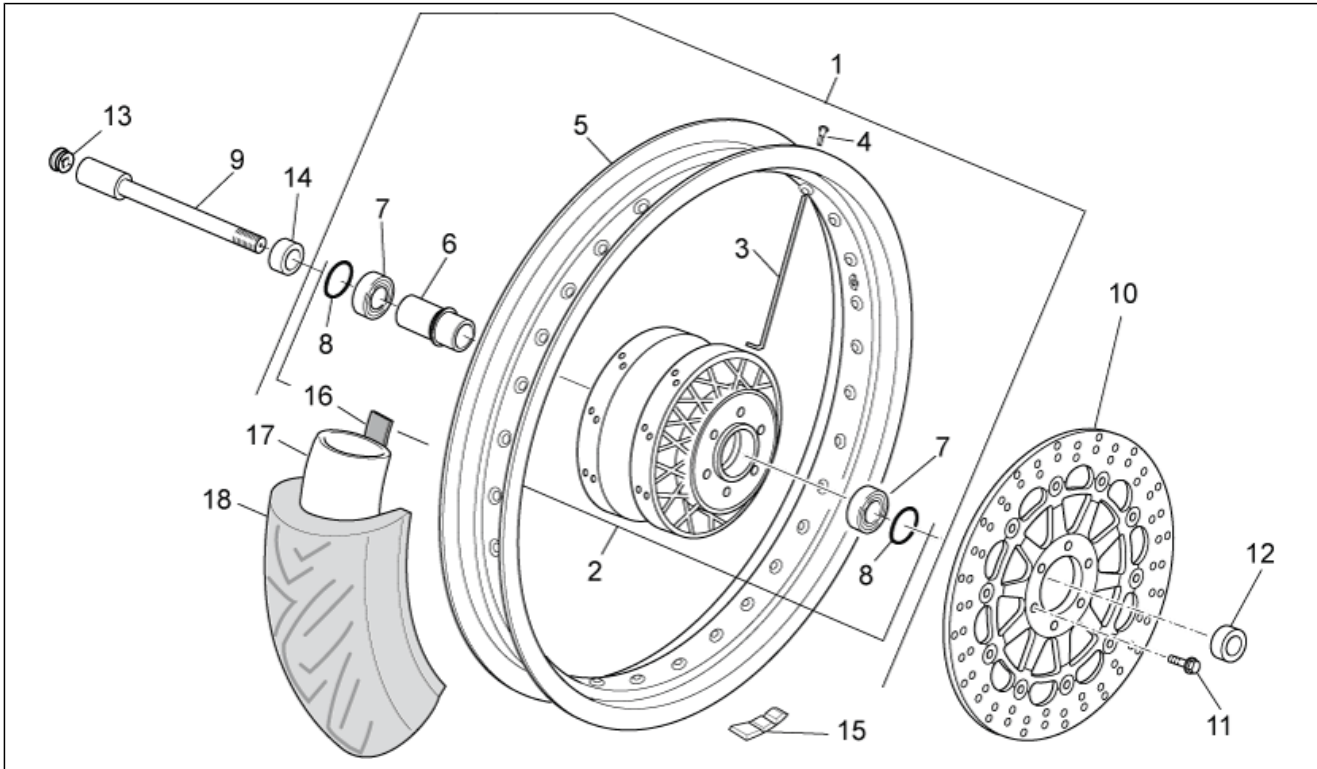
Pos.	Code	Description	Qty	Variants
1	887846	RH exhaust pipe	1	Country:Canadian[CA], europe[EU], Great Britain[UK], USA[USA]
1	B063854	RH exhaust pipe	1	Country:Japan[J]
2	887847	LH exhaust pipe	1	Country:Canadian[CA], europe[EU], Great Britain[UK], USA[USA]
2	B063855	LH exhaust pipe	1	Country:Japan[J]
3	B063022	Exhaust manifold union	1	
4	978387	LH silencer clamp	1	
5	GU19025280	Gasket	2	
6	GU19025460	Spacer	4	
7	GU32121010	Ring nut	2	
8	GU03013800	Washer 6,4x12	4	
9	GU31121880	Nut	4	
10	2B000179	LH silencer	1	
10	884139	LH silencer	1	
11	2B000178	RH silencer	1	
11	884138	RH silencer	1	
12	978385	Hose clamp	2	
13	GU32128610	RH plate	1	
14	GU32129010	LH plate	1	
15	978386	RH silencer clamp	1	
16	AP8144071	Rubber exhaust	4	
17	GU98680440	Hex socket screw M8x40	2	
18	AP8134378	Silencer fixing bush	2	
19	GU92640508	Nut M8	6	
20	GU933011755	U-bolt	1	
21	896110	Lambda sensor l.660 mm	2	
22	AP8121072	Spacer	2	

Group	FRAME
Code	33.23
Description	Exhaust unit
Service	1



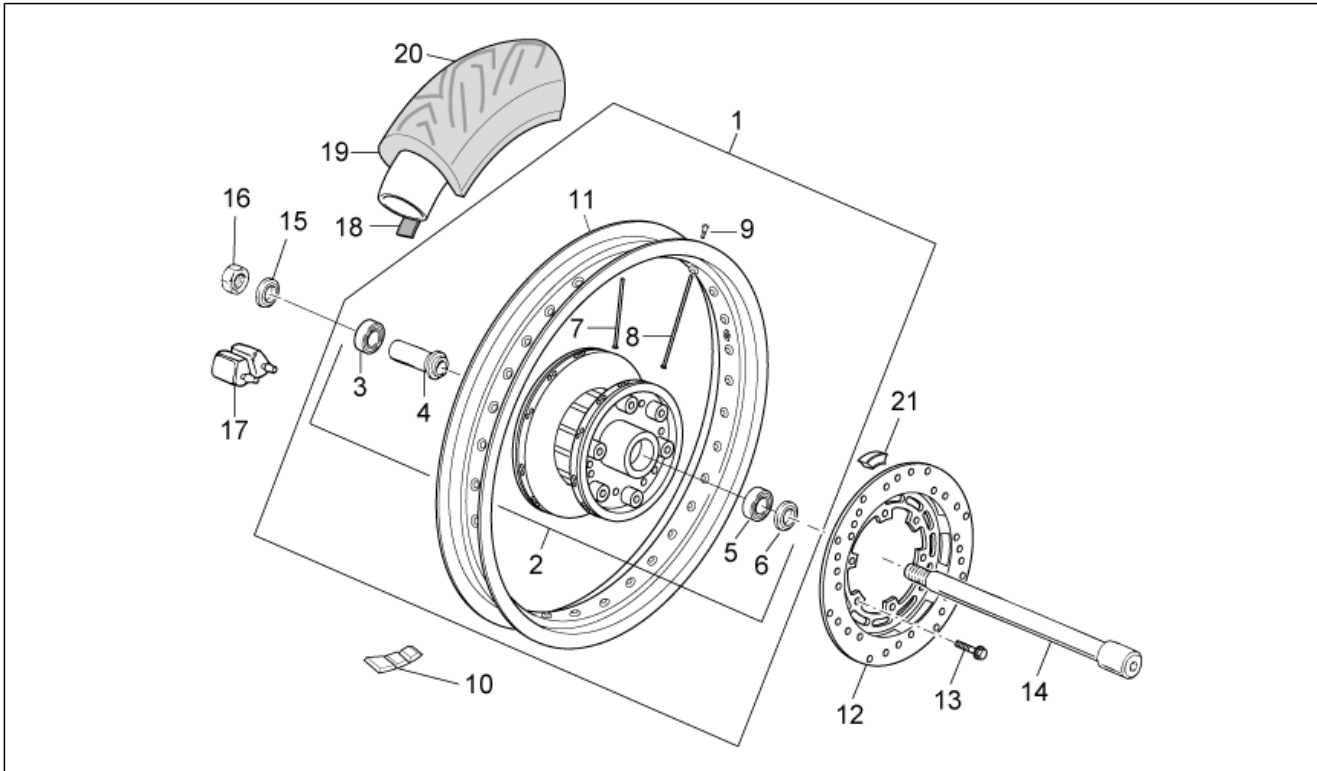
Pos.	Code	Description	Qty	Variants
23	GU98110007	Cover	2	
24	GU30109330	Gasket	2	
25	GU32121910	RH protection	1	
26	GU32121911	LH protection	1	
27	GU98370609	Hex socket screw M6x10	6	
28	GU95005306	Washer 6,4x13x1,5	6	
29	GU91113826	Bushing	2	
30	AP8221297	Insulating washer	6	

Group	FRAME
Code	33.24
Description	Front wheel
Service	1



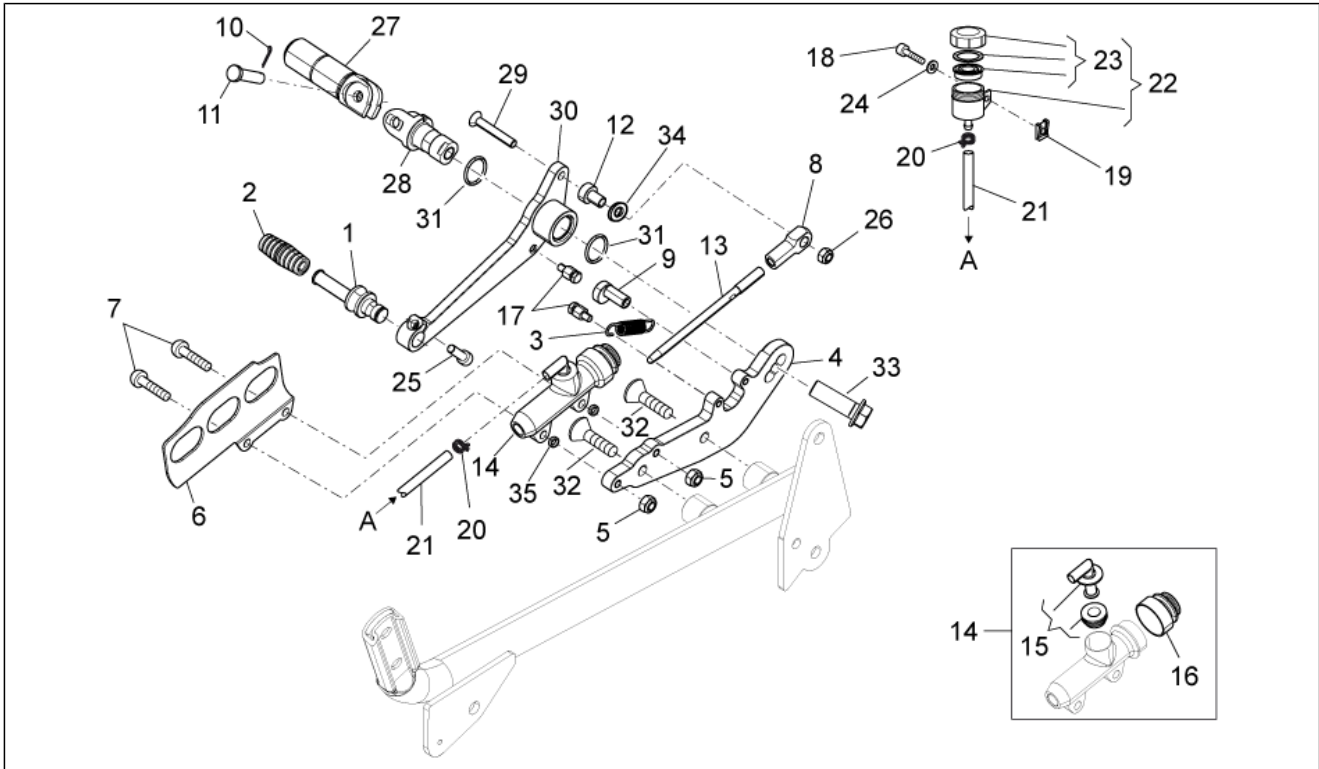
Pos.	Code	Description	Qty	Variants
1	B063265	Front wheel	1	
2	886681	Front hub	1	
3	B063144	Front wheel spoke	36	
4	GU03631250	Nipples	36	
5	B063077	Cerchio ant. nero 2.5X18"	1	
6	GU31615260	Spacer	1	
7	GU92204221	Bearing	2	
8	GU90402642	Gasket ring	1	
9	GU31614183	Front wheel spindle	1	
10	883688	Front brake disc 320	1	
11	AP8152286	Screw w/ flange M8x20	6	
12	GU31616384	LH spacer	1	
13	GU93180111	Cover 15 mm	1	
14	GU32615660	RH spacer	1	
15	GU14616150	Counterweight	1	
16	GU03612040	Tyre flap	1	
17	GU31610160	Inner tube MB 18	1	
18	886679	Tyre 100/90 18	1	

Group	FRAME
Code	33.25
Description	Rear wheel
Service	1



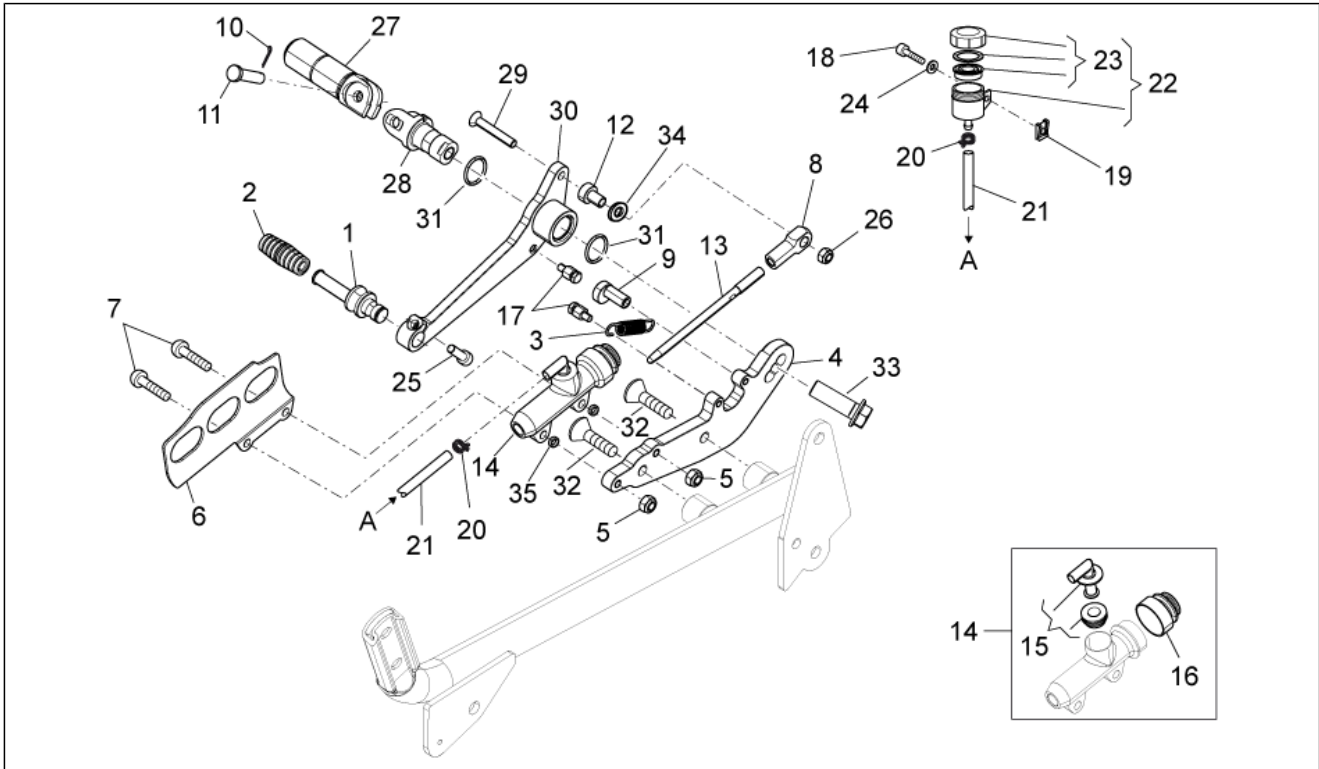
Pos.	Code	Description	Qty	Variants
1	B063267	Rear wheel 3,5"x17"	1	
2	886711	Rear hub	1	
3	GU92204218	Bearing	1	
4	GU27633910	Spacer	1	
5	GU92204217	Bearing	1	
6	GU90402538	Gasket ring 25x40x7	1	
7	883350	Short spoke	18	
8	883349	Long spoke mm 158	18	
9	GU03631250	Nipples	36	
10	GU14616150	Counterweight	1	
11	B063078	Rear wheel 3,5"x17" Black	1	
12	887448	Brake disc	1	
13	894505	Screw w/ flange M8x18	6	
14	GU32633360	Rear wheel spindle	1	
15	GU31634481	Washer	1	
16	GU92606316	Nut M16x1,5	1	
17	GU32632510	Rubber coupling	6	
18	GU28612033	Tyre flap	1	
19	GU30630430	Inner tube MD 17	1	
20	886680	Tyre 130/80 17	1	
21	GU32636160	Support rubber part	1	

Group	FRAME
Code	33.26
Description	Rear master cylinder
Service	1



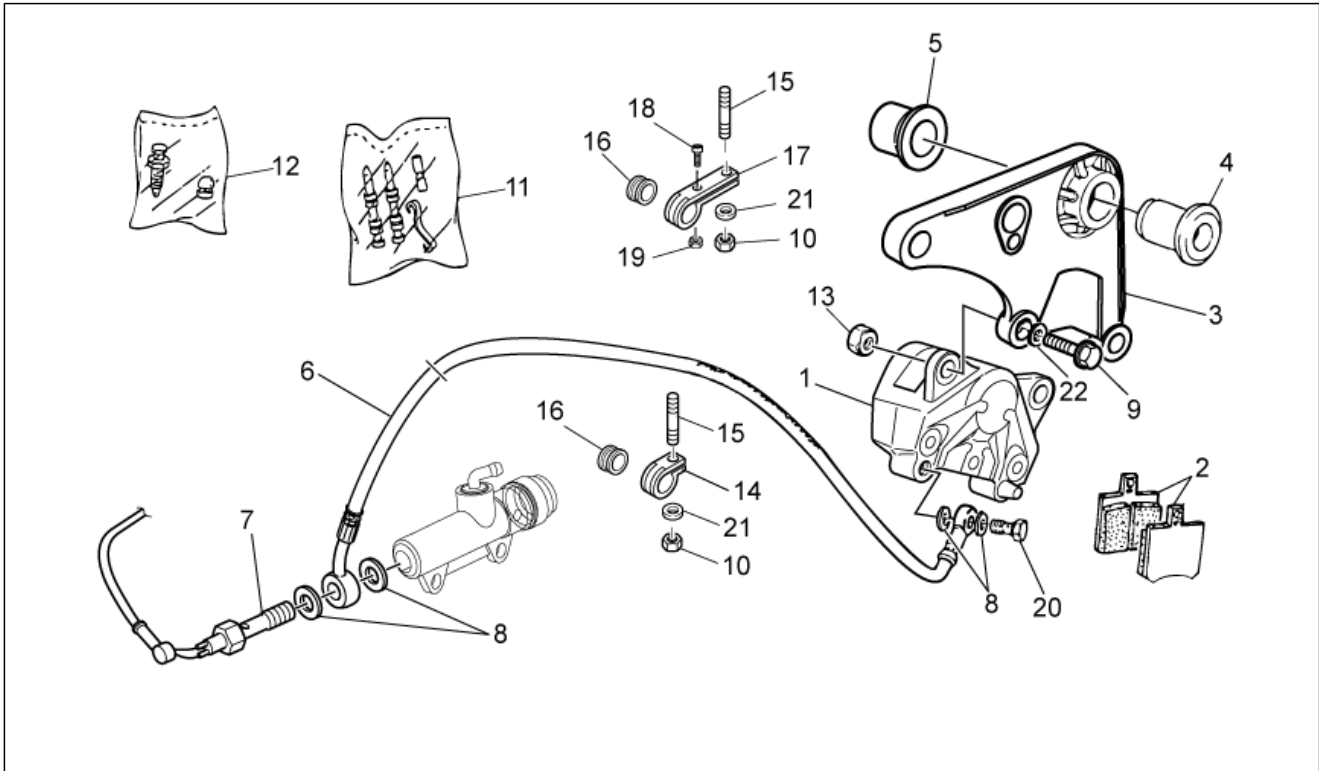
Pos.	Code	Description	Qty	Variants
1	886665	Pin	1	
2	AP8120912	Lever rubber	1	
3	AP8121927	Rear brake lever spring	1	
4	898288	Rider footrest plate	1	
5	GU92630206	Nut M6x1	2	
6	GU01665410	Brake m.cyl.protection, black	1	
7	GU98370625	Hex socket screw	2	
8	GU18257551	Block	1	
9	886666	Bush	1	
10	GU95401215	Split pin	1	
11	GU23442210	Pin	1	
12	898287	Lever pin	1	
13	978970	Master cylinder rod	1	
14	AP8133643	Rear master cylinder	1	
15	AP8213057	Rear brake pump union	1	
16	AP8113288	Rubber bellows	1	
17	898286	Springs fixing pin	2	
18	GU98682215	Hex socket screw	1	
19	AP8102375	Clip m5	1	
20	AP8101594	Hose clamp D10,1*	2	
21	GU00823950050	Oil pipe	1	
22	AP8133873	Brake oil tank complete	1	
23	AP8113553	Tank cap	1	
24	GU95100059	Washer 5,25x14x1,5	1	
25	AP8150044	Hex socket screw M6x20	1	
26	AP8150115	Low self-locking nut M6	1	
27	898281	RH Foot rests	1	
28	898612	RH front footrest bracket	1	

Group	FRAME
Code	33.26
Description	Rear master cylinder
Service	1



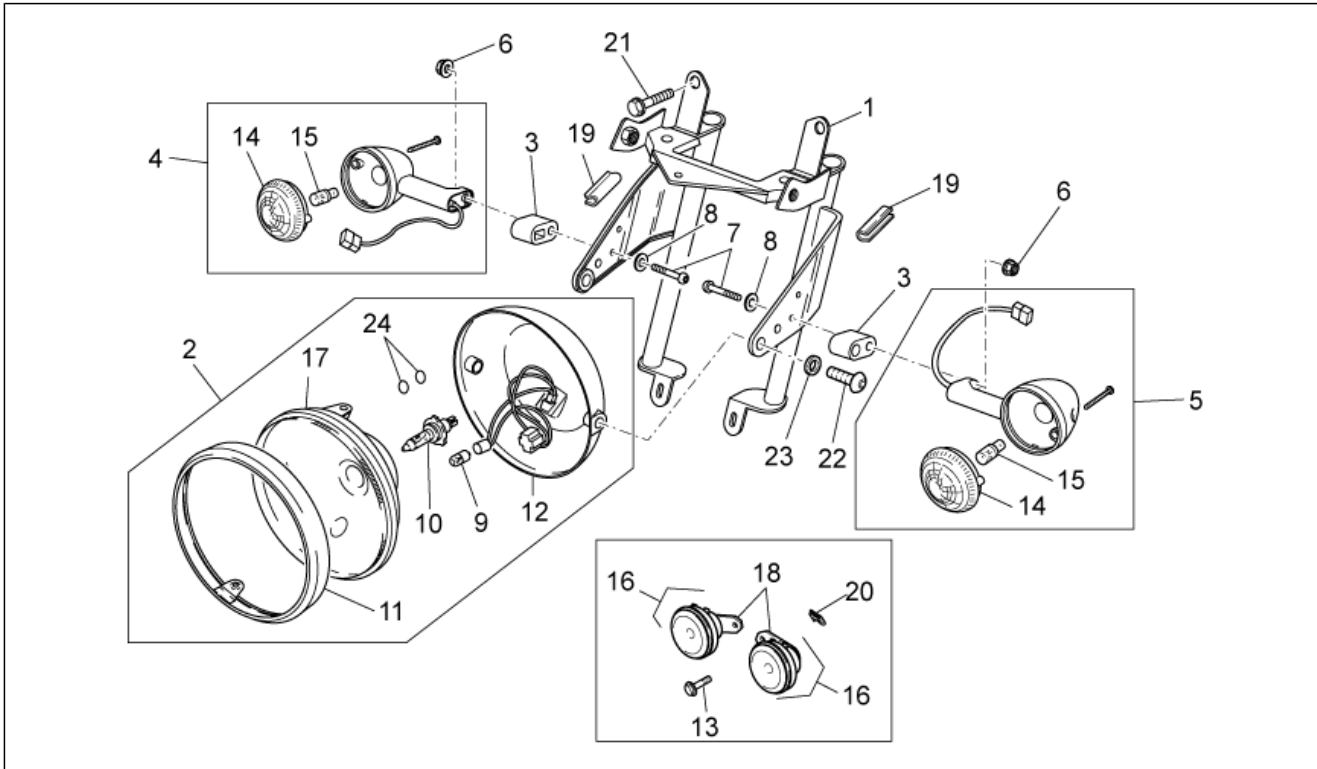
Pos.	Code	Description	Qty	Variants
29	AP8150468	Screw M6x40	1	
30	898285	Brake lever	1	
31	AP9100477	O-ring 18x2	2	
32	GU98252420	Screw M8x20	2	
33	AP8152320	Screw w/ flange	1	
34	GU03270300	Washer 8,4x15	1	
35	AP8134640	Air box spacer	2	

Group	FRAME
Code	33.27
Description	Rear brake caliper
Service	1



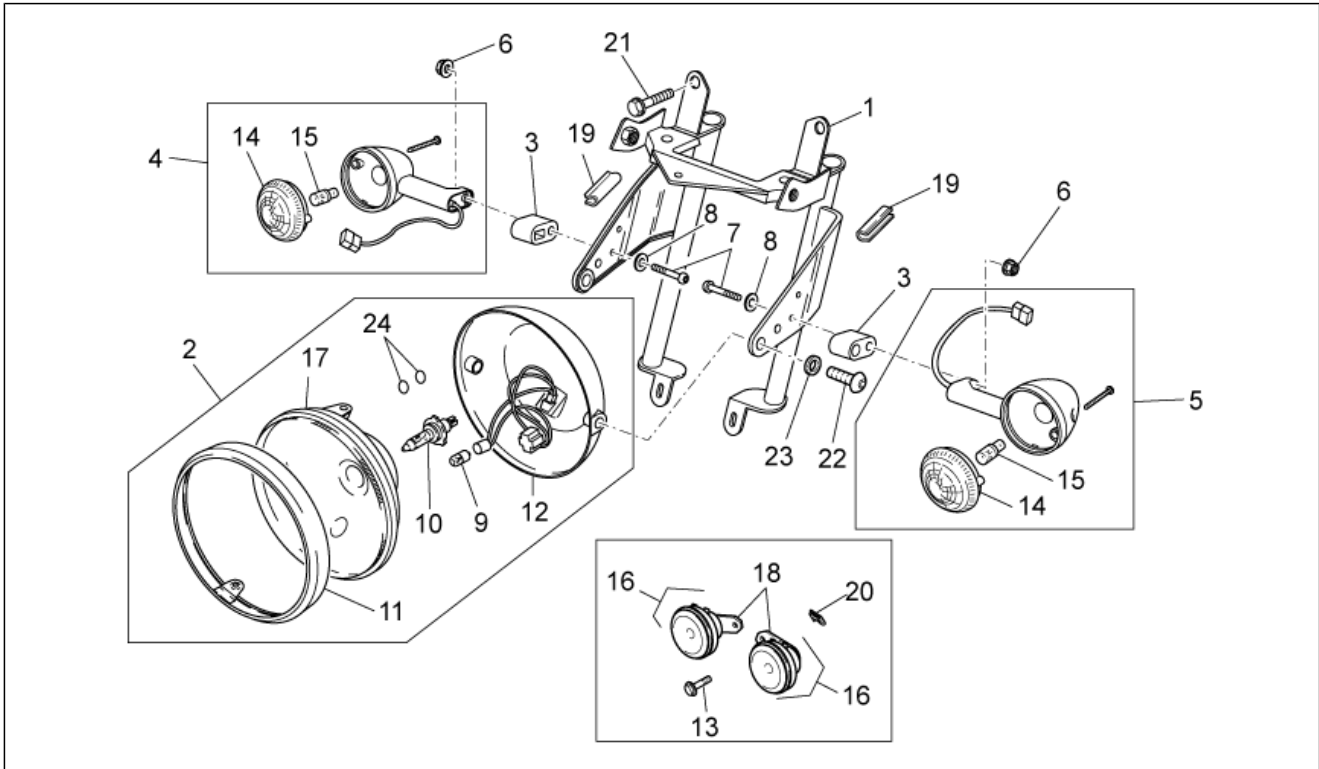
Pos.	Code	Description	Qty	Variants
1	887449	Rear brake caliper	1	
2	AP8133798	Pads pair	1	
3	887431	Brake caliper support plate	1	
4	GU31634281	Bushing	1	
5	GU32634160	Spacer	1	
6	887457	Tubo freno posteriore in treccia	1	
6	B063750	Tubo freno posteriore in gomma	1	
7	883192	Switch	1	
8	AP8113004	Washer 10x14x1,6*	4	
9	AP8152288	Screw w/ flange	2	
10	AP8152299	Self-locking nut M6	2	
11	GU31659181	Pins+spring kit	1	
12	GU31659281	Bleeder+cap	1	
13	AP8152300	Self-locking nut M8	2	
14	GU03658430	Hose clamp	1	
15	GU96451316	Stud bolt	1	
16	GU03658201	Ring	2	
17	GU03658330	Hose clamp	1	
18	GU98257410	screw	1	
19	GU92630104	Nut M4x0,7	1	
20	AP8113003	Oil pipe screw *	1	
21	GU95008306	Washer 6,4x12x1,2	2	
22	GU61270300	Spring washer 8x15x0,3	1	

Group	FRAME
Code	33.28
Description	Front lights
Service	1



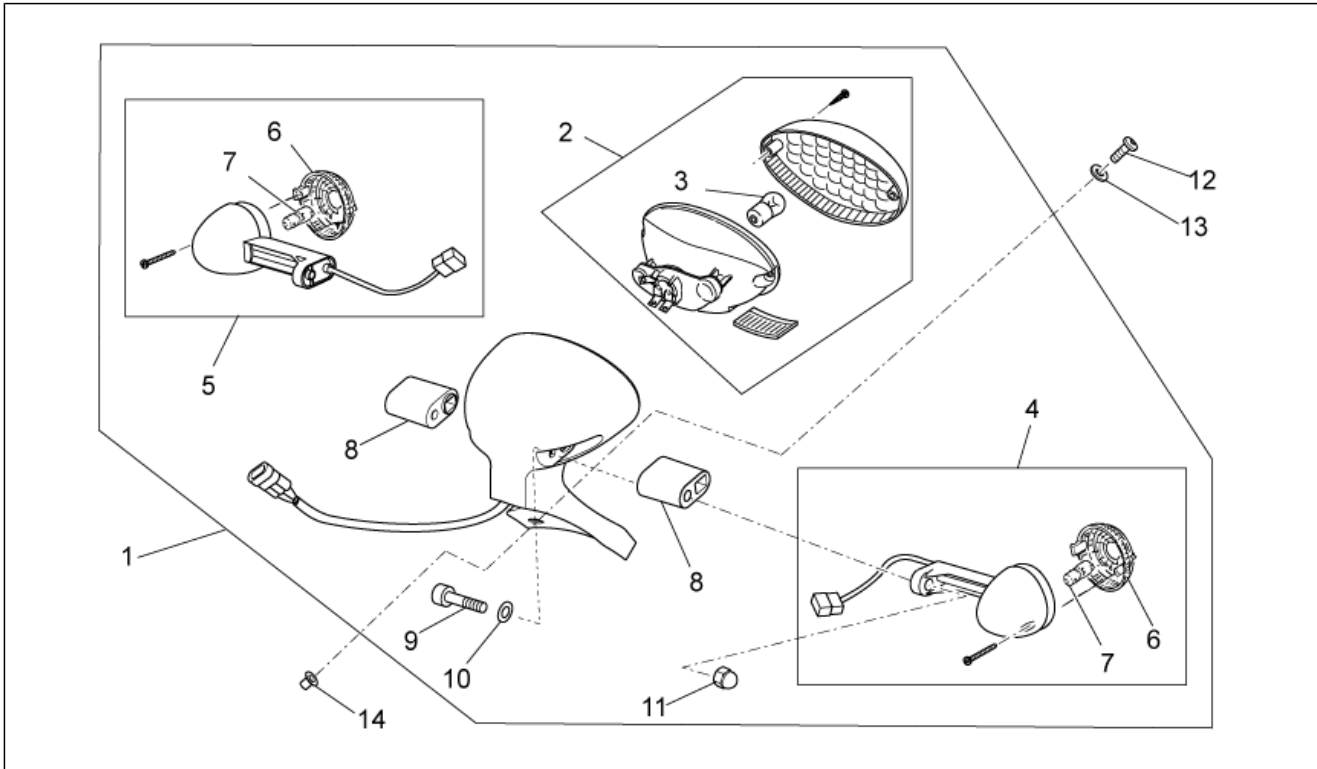
Pos.	Code	Description	Qty	Variants
1	GU32506360	Headlight support clamp	1	
2	978311	Headlight	1	Country:Canadian[CA], europe[EU], USA[USA]
2	978662	Cpl headlightsteering headligh	1	Country:Japan[J], Great Britain[UK]
3	GU32753410	Spacer	2	
4	887826	RH front/LH rear turn indic.	1	Country:Australia[AA], europe[EU], Japan[J], Great Britain[UK]
4	B063800	RH front turn indicator	1	Country:Canadian[CA], USA[USA]
5	887827	LH front/RH rear turn indic.	1	Country:Australia[AA], europe[EU], Japan[J], Great Britain[UK]
5	B063801	LH front turn indicator	1	Country:Canadian[CA], USA[USA]
6	GU92787006	Cap nut M6x1	2	
7	GU98370655	Hex socket screw	2	
8	GU95021206	Washer	2	
9	292022	Lamp 12V-5W	1	
10	292723	Lamp H4 60/55W 12V	1	
11	640598	Chromed ring nut	1	
12	981149	Cap, black	1	Country:Japan[J], Great Britain[UK]
12	981149	Cap, black	1	
13	AP8152278	Screw w/ flange M6x16	2	
14	B063735	Turn indicator lens	2	Country:Australia[AA], europe[EU], Japan[J], Great Britain[UK]
14	GU32753711	Turn indicator lens	2	Country:Canadian[CA], USA[USA]
15	GU93450126	Lamp, orange	2	Country:Australia[AA], europe[EU], Japan[J], Great Britain[UK]
15	GU93450127	Lamp	2	Country:Canadian[CA], USA[USA]
16	890979	Horn	2	
17	GU06740400	Light assembly	1	Country:Australia[AA], Canadian[CA], europe[EU], USA[USA]
17	GU06740401	Optical group	1	Country:Japan[J], Great Britain[UK]

Group	FRAME
Code	33.28
Description	Front lights
Service	1



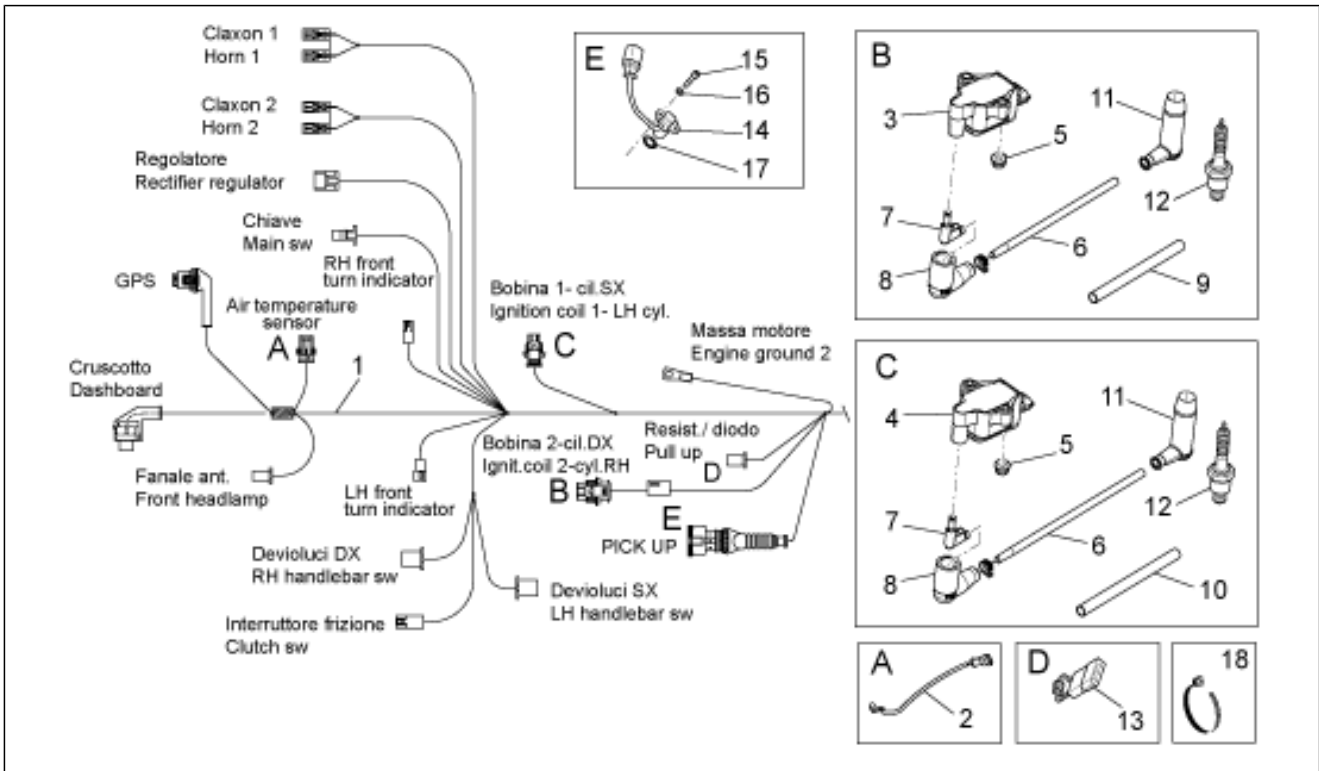
Pos.	Code	Description	Qty	Variants
18	GU01744200	Bracket	6	
19	GU00823931055	Gasket	1	
20	254485	Spring plate M6	2	
21	GU98880540	screw M10x40	2	
22	GU98370831	Hex socket screw M8x30	2	
23	GU95005308	Washer 8,4x14,57x1,6	2	
24	883417	O-ring	2	

Group	FRAME
Code	33.29
Description	Rear lights
Service	1



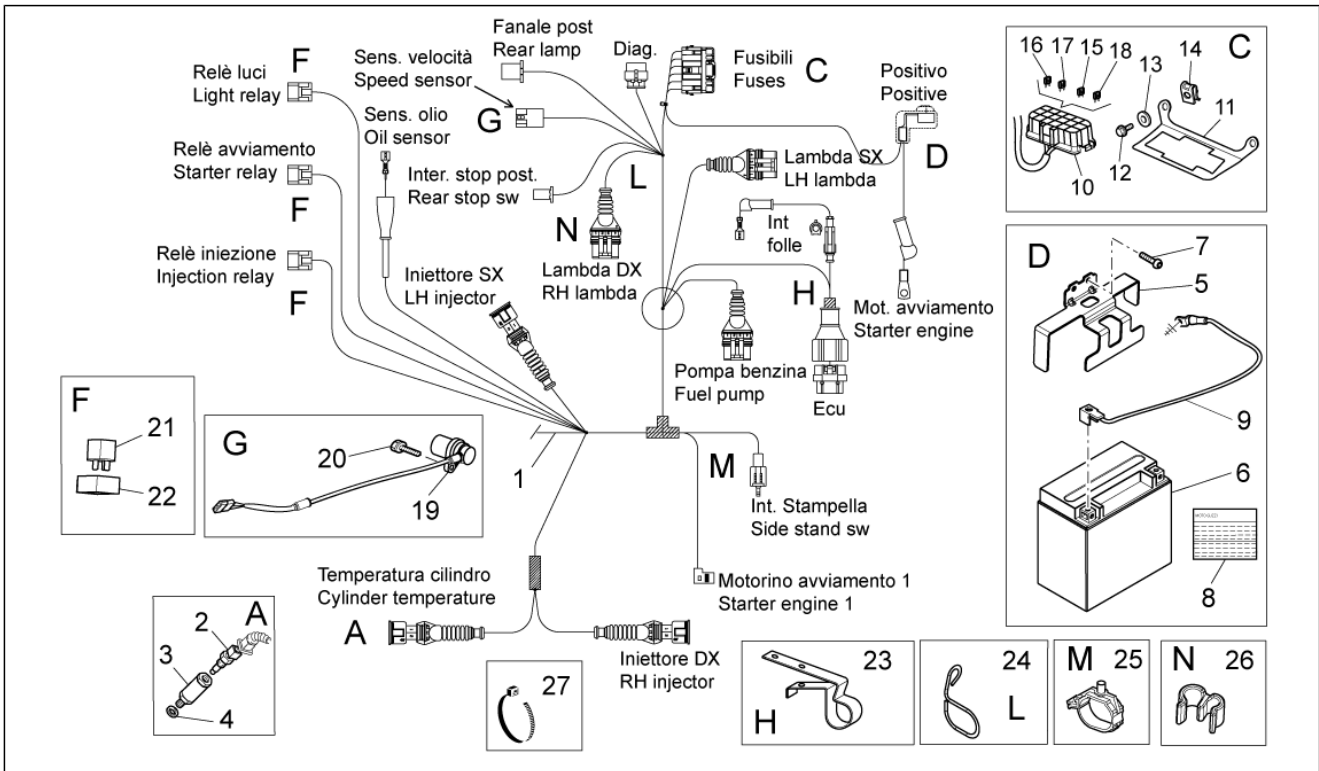
Pos.	Code	Description	Qty	Variants
1	883479	Taillight assy	1	Country:Canadian[CA], USA[USA]
1	887877	Taillight assy	1	Country:Australia[AA], europe[EU], Japan[J]
2	GU03740930	Taillight	1	
3	GU93450224	Lamp	1	
4	887826	RH front/LH rear turn indic.	1	Country:Australia[AA], europe[EU], Great Britain[UK]
4	GU32750661	RH front/LH rear turn indic.	1	Country:Canadian[CA], USA[USA]
5	883478	LH front/RH rear turn indic.	1	Country:Canadian[CA], USA[USA]
5	887827	LH front/RH rear turn indic.	1	Country:Australia[AA], europe[EU], Great Britain[UK]
6	B063735	Turn indicator lens	1	Country:Australia[AA], europe[EU], Great Britain[UK]
6	GU32753711	Turn indicator lens	2	Country:Canadian[CA], USA[USA]
7	584332	Lamp 12V-10W	2	
7	GU93450127	Lamp	2	Country:Canadian[CA], USA[USA]
8	GU32753410	Spacer	2	
9	GU98370655	Hex socket screw	2	
10	GU95021206	Washer	2	
11	GU92787006	Cap nut M6x1	2	
12	GU98350215	Hex socket screw	3	
13	GU30577800	Nylon washer 5,5X12X1	3	
14	GU93231605	Antivibration bush	3	

Group	FRAME
Code	33.30
Description	Electrical system I
Service	1



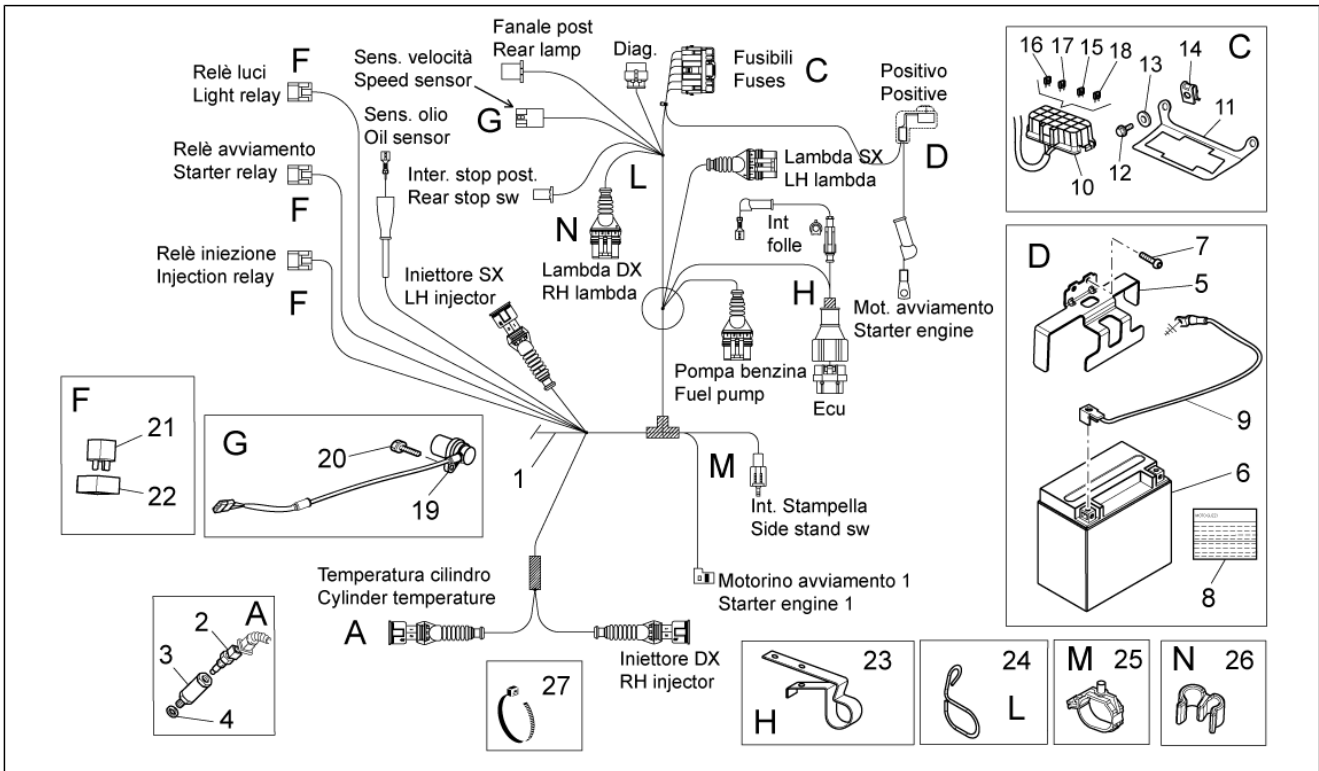
Pos.	Code	Description	Qty	Variants
1	887825	Main wiring harness	1	
2	AP8124936	Air temp. Sensor	1	
3	642034	HT coil DX	1	
4	641901	HT coil SX	1	
5	AP8152299	Self-locking nut M6	4	
6	080341	HT wire	2	
7	641725	HV terminal	2	
8	641040	Insulating cap	2	
9	CM007423	Casing	1	
10	CM0074C9	Guaina cavo grigia	1	
11	GU02717450	Sparkplug cap NGK	2	
12	828708	Spark plug RG6YC (Champion)	2	
12	887481	Spark plug NGK CPR8EB-9	2	
13	887948	Diode	1	
14	GU01721600	Phase/revolution sensor	1	
14	GU98682212	Hex socket screw M5x12	2	
15	GU95008205	Washer 5,3x10x0,8	2	
16	GU90706141	O-ring	1	
17	GU14609650	Hose clamp 3,6x20,6	31	
17	GU49609601	Hose clamp 2,4x92	1	
18	AP8120416	Black hose 178x4	1	

Group	FRAME
Code	33.31
Description	Electrical system II
Service	1



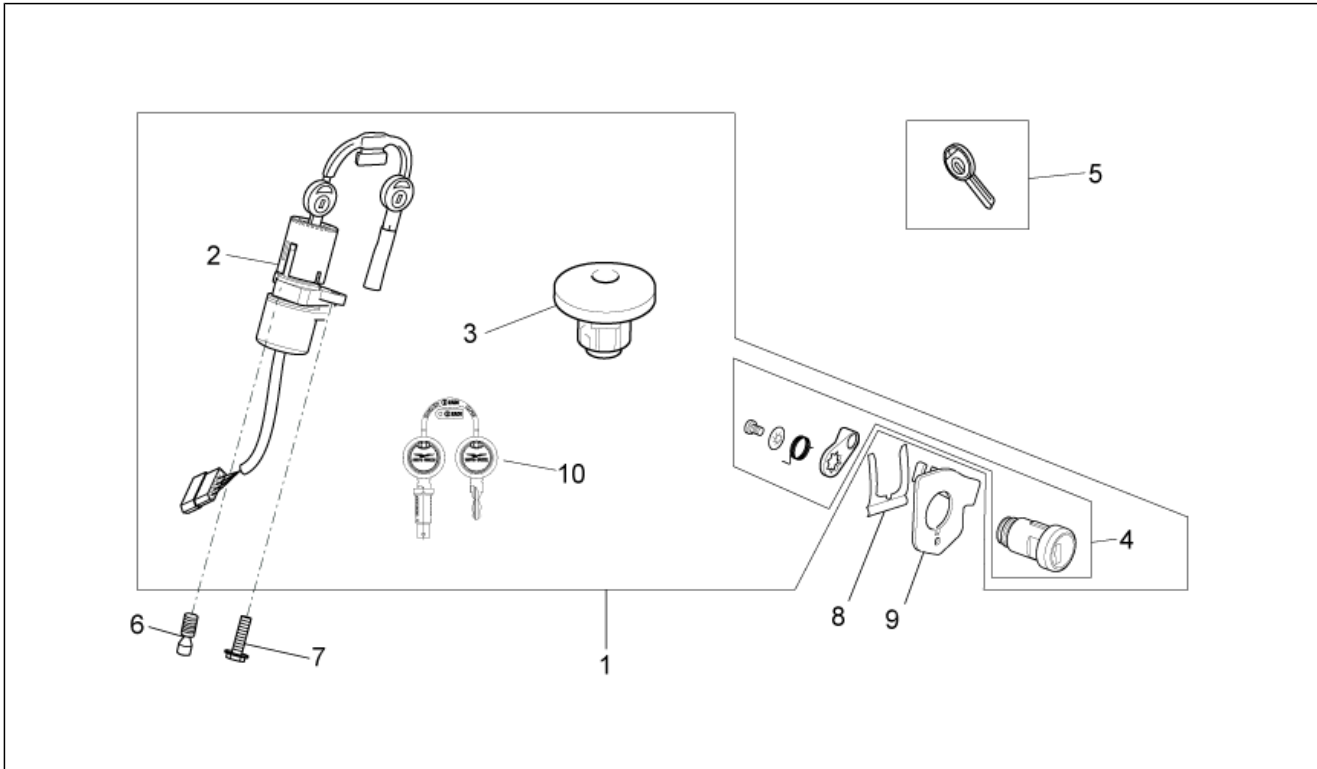
Pos.	Code	Description	Qty	Variants
1	887825	Main wiring harness	1	
2	GU29729461	Oil temperature sensor	1	
3	GU03163330	Sensor support	1	
4	GU95004210	Washer 10,2x18x2	1	
5	B063233	Battery bracket	1	
6	638733	Battery Yuasa 12V-12Ah (150x85x145)	1	
7	GU98370616	Hex socket screw M6x16 inox	2	
8	GU32517710	Decal "Battery service"	1	
9	GU32747910	Ground-battery lead	1	
10	584211	Fuse holder box	1	
11	883161	Fuse block support	1	
12	GU98682212	Hex socket screw M5x12	2	
13	GU95100059	Washer 5,25x14x1,5	2	
14	AP8102375	Clip m5	2	
15	CM225705	Fuse 5A	2	
16	CM225710	Fuse 10A	1	
17	CM225715	Fuse 15A	2	
18	CM225730	Fuse 30A	1	
19	893570	Speedometer sensor cpl.	1	
20	AP8150377	screw	1	
21	AP8224462	Relay 12V/30A	3	
22	AP8220283	Rubber spacer *	3	
23	B043850	Hose clamp	1	
24	AP8181140	Fairlead	1	
25	CM013202	Pipes/cables retainer spring	1	
26	894704	Fairlead	1	
27	AP8120416	Black hose 178x4	1	
27	GU14609650	Hose clamp 3,6x20,6	21	

Group	FRAME
Code	33.31
Description	Electrical system II
Service	1



Pos.	Code	Description	Qty	Variants
27	GU49609601	Hose clamp 2,4x92	1	

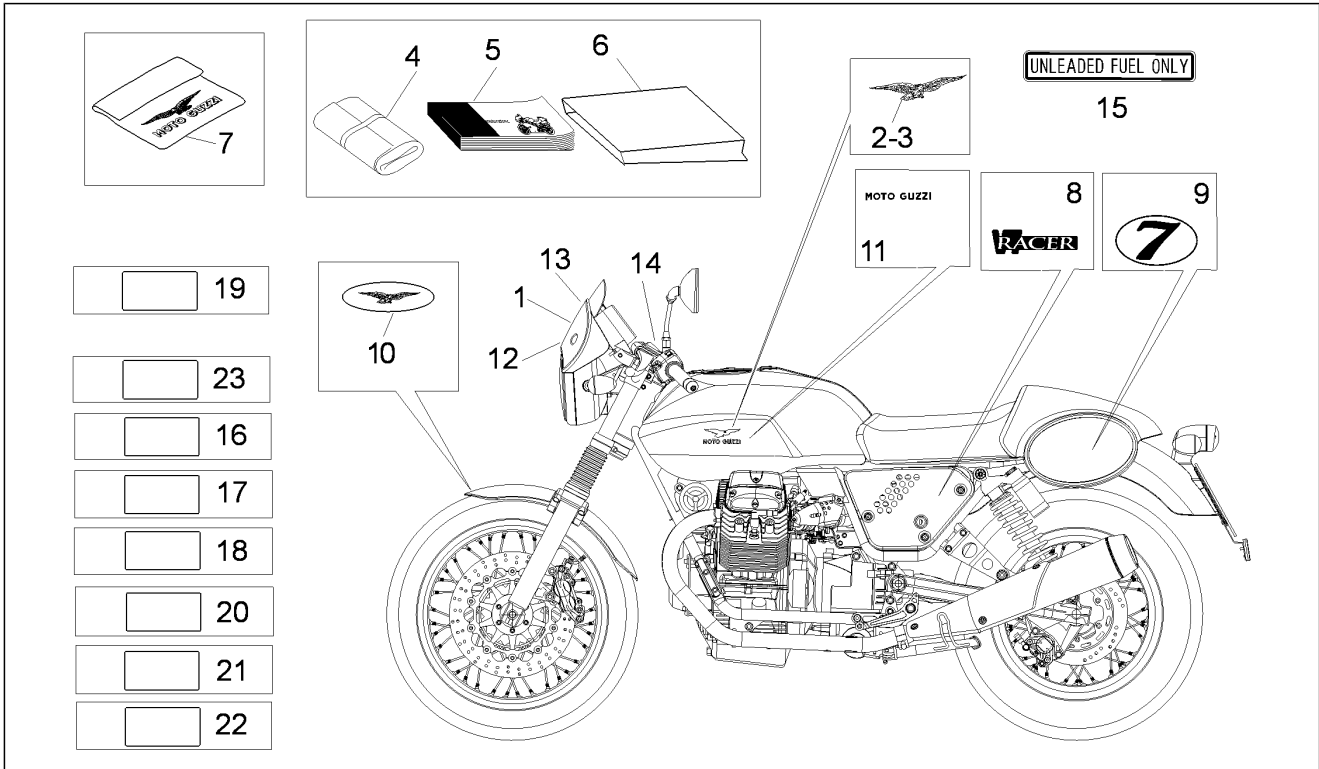
Group	FRAME
Code	33.32
Description	Lock hardware kit
Service	1



Pos.	Code	Description	Qty	Variants
1	883477	Lock kit	1	Country:Canadian[CA], USA[USA]
1	887873	Lock kit	1	Country:Australia[AA], europe[EU], Great Britain[UK]
2	GU32782510	Main switch - steering lock	1	
3	883476	Tank cap	1	Country:Canadian[CA], USA[USA]
3	887874	Tank cap	1	Country:Australia[AA], europe[EU], Great Britain[UK]
4	977527	Serratura completa di chiavi	1	
5	GU32735510	Non indent.key blank-shell go	1	
5	GU32735511	Non indent.key blank-shell cr	1	
6	AP8150349	Special screw M8x15	1	
7	GU98682416	Hex socket screw M8x16	1	
8	AP8121420	Fork spring	1	
9	978415	Cable fixing plate	1	
10	2D000006	Cilindretto serratura con chiave per tappo benzina	1	

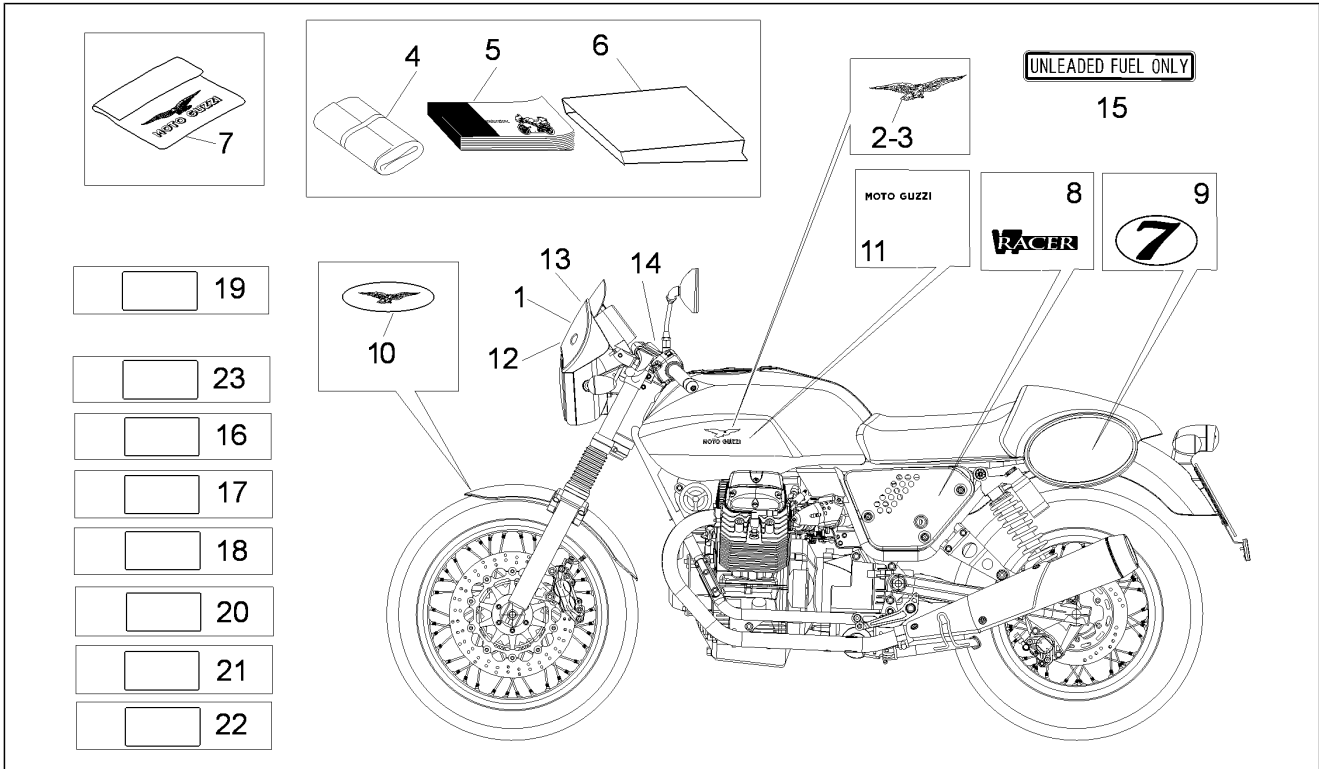


Group	FRAME
Code	33.33
Description	Decal and plate set
Service	1



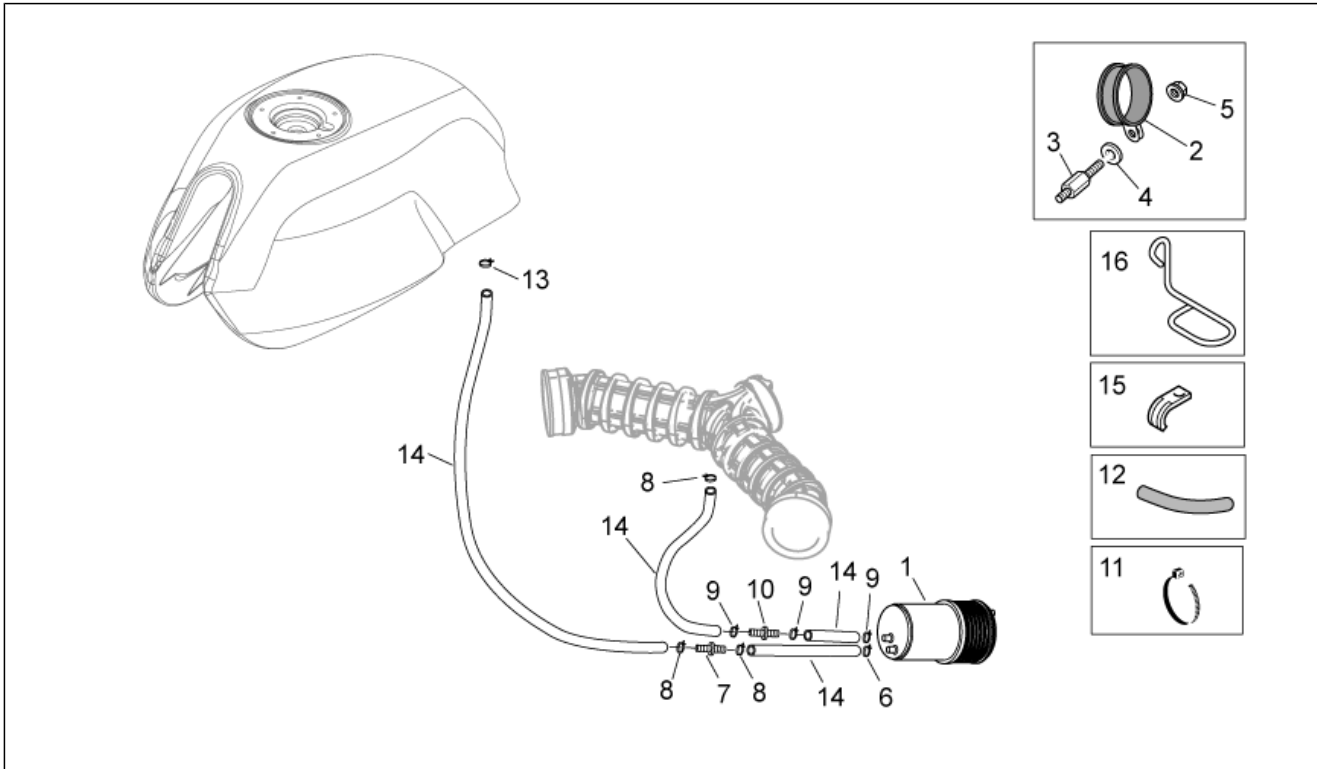
Pos.	Code	Description	Qty	Variants
1	B063148	Windshield decal 7	1	
2	898174	Sticker RH "Aquila"	1	
3	886678	Sticker LH "Aquila"	1	
4	GU32909960	Toolkit	2	
5	2Q000006	Libretto uso e manutenzione JA	1	Country:Japan[J]
5	887854	Operator's handbook I-F-D-NL-E-UK	1	
5	B063252	Operator's handbook -USA-	1	Country:Canadian[CA], USA[USA]
6	GU05900130	Bag for document	1	
7	GU30970200	Bike cover	1	
8	886643	Plate set V7 Racer	2	
9	B063149	Rear fairing decal	2	
10	886141	Decal "Aquila"	1	
11	886825	Decal "Moto Guzzi"	1	
12	886638	Red line sticker	1	
13	886637	Red line sticker	1	
14	886644	Plate set "RACER"	1	
15	GU03995730	Decal "Unleaded Fuelonly"	1	Country:Australia[AA]
16	884348	Tyre pressure decal	1	Country:Canadian[CA], USA[USA]
17	AP8257609	Mirror decal	1	Country:Canadian[CA], USA[USA]
18	AP8257794	Battery decal	1	Country:Canadian[CA], USA[USA]
19	AP8257742	Keys warning decal	1	Country:Canadian[CA], USA[USA]
20	2B000433	Noise emission sticker	1	Year:2014[e] Country:Canadian[CA], USA[USA]
20	884344	Noise emission sticker	1	Year:2013[d] Country:Canadian[CA], USA[USA]
21	2B000434	Emission control sticker	1	Year:2014[e] Country:Canadian[CA], USA[USA]
21	884345	Emission control sticker	1	Year:2013[d] Country:Canadian[CA], USA[USA]

Group	FRAME
Code	33.33
Description	Decal and plate set
Service	1



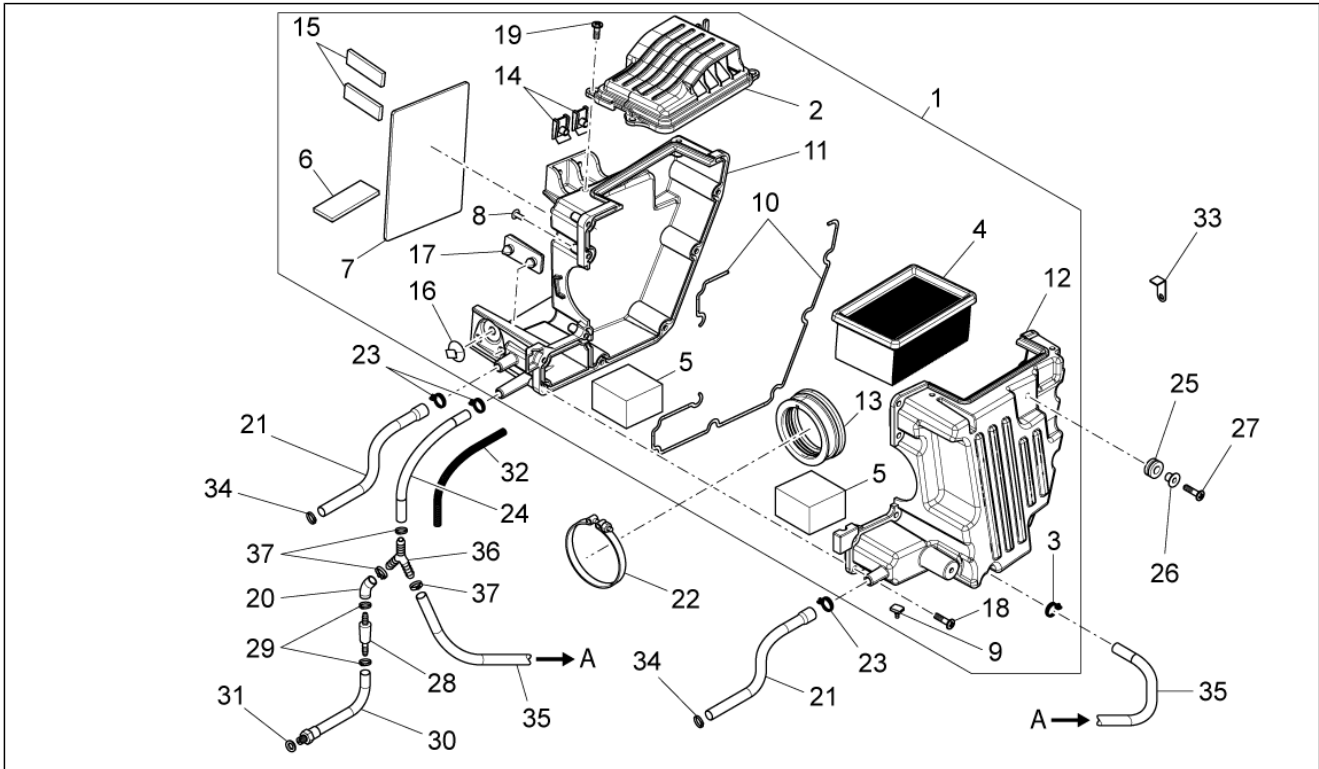
Pos.	Code	Description	Qty	Variants
22	2B000435	Carbon filter sticker	1	Year:2014[e] Country:Canadian[CA], USA[USA]
22	884346	Carbon filter sticker	1	Year:2013[d] Country:Canadian[CA], USA[USA]
23	B045974	Fuel decal E15	1	Year:2013[d] Country:Canadian[CA], USA[USA]

Group	FRAME
Code	33.51
Description	Fuel vapour recover system
Service	1



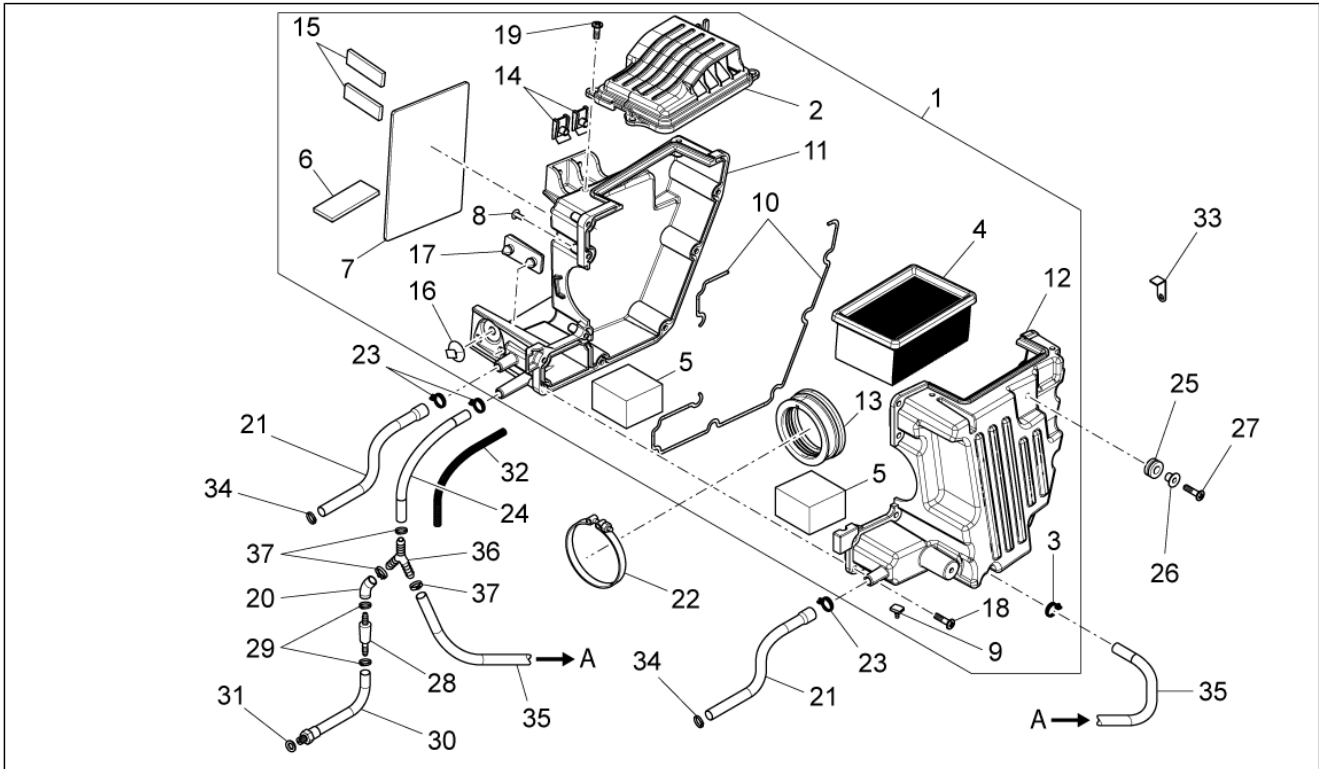
Pos.	Code	Description	Qty	Variants
1	AP8102678	Carbon filter	1	Country:Canadian[CA], USA[USA]
2	AP8102688	Hose clamp d.76	1	Country:Canadian[CA], USA[USA]
3	GU32439260	Canister support USA	1	Country:Canadian[CA], USA[USA]
4	GU95005311	Washer	1	Country:Canadian[CA], USA[USA]
5	AP8152299	Self-locking nut M6	1	Country:Canadian[CA], USA[USA]
6	AP8102159	Hose clamp	1	Country:Canadian[CA], USA[USA]
7	860138	Valve	1	Country:Canadian[CA], USA[USA]
8	GU28157950	Hose clip 12,5x8	4	Country:Canadian[CA], USA[USA]
9	AP8120446	Hose clip, green D11x6,6x1	2	Country:Canadian[CA], USA[USA]
10	AP8121267	Choke hold	1	Country:Canadian[CA], USA[USA]
11	AP8120416	Black hose 178x4	1	Country:Canadian[CA], USA[USA]
12	GU00823923140	Thermal sheath	4	Country:Canadian[CA], USA[USA]
13	AP8201358	Hose clamp D 11,9	1	Country:Canadian[CA], USA[USA]
14	856063	pipe SAE 30 d.12,7x6,35	3	Country:Canadian[CA], USA[USA]
15	GU93301313	U-bolt	1	Country:Canadian[CA], USA[USA]
16	AP8221114	Cable-guide	2	Country:Canadian[CA], USA[USA]

Group	FRAME
Code	33.52
Description	Air box II
Service	1



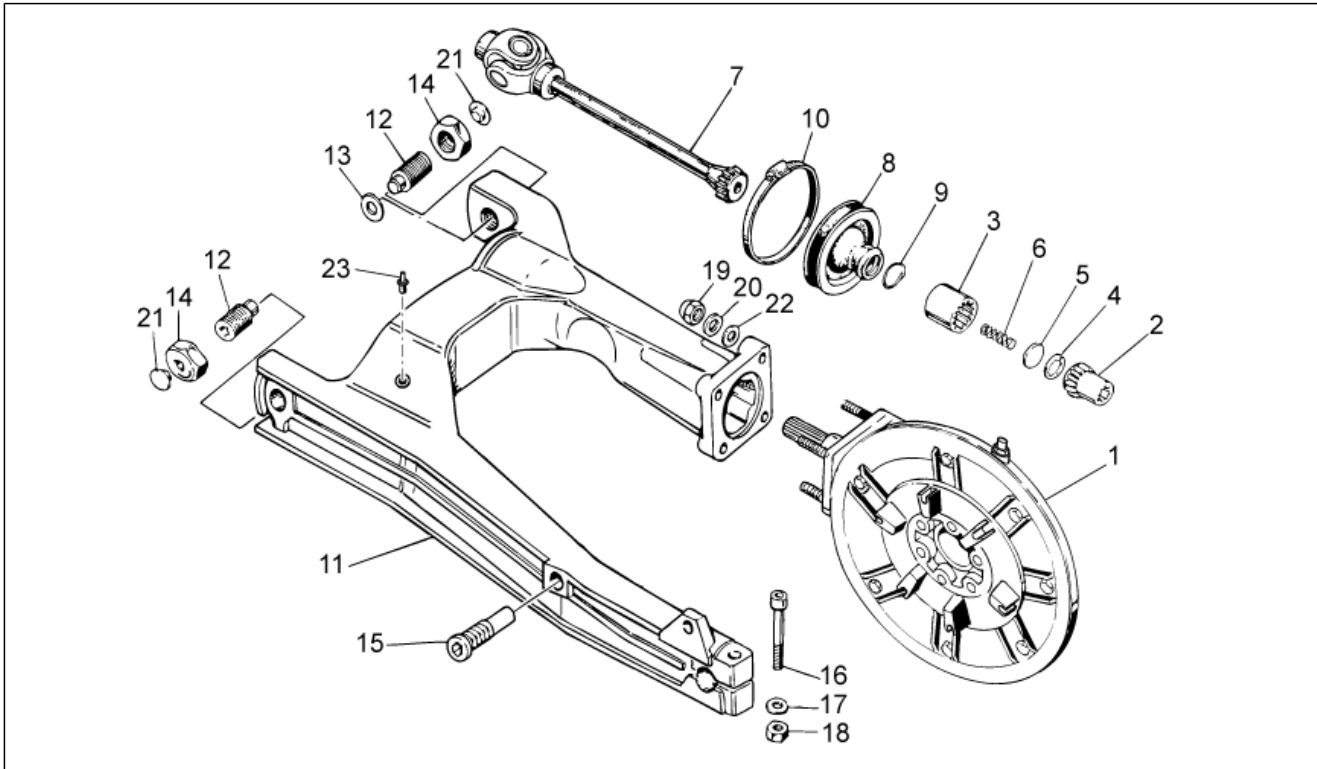
Pos.	Code	Description	Qty	Variants
1	8878421	Complete filter box	1	
2	887843	Air filter cover	1	
3	AP8201358	Hose clamp D 11,9	1	
4	AP8104924	Air filter	1	
5	AP8104525	Filter blow-by	2	
6	883127	Support rubber part 5mm	1	
7	AP8144553	Support rubber part	1	
8	AP8120876	Plug	2	
9	AP8120455	Rubber spacer	1	
10	AP8120615	Gasket D3	2	
11	887844	Guscio dx cassa filtro	1	
12	887845	Guscio sx cassa filtro	1	
13	887815	Intake hose	1	
14	254485	Spring plate M6	2	
15	AP8144538	Gasket	2	
16	890760	Instrument support	1	
17	AP8144729	Stand end stop	1	
18	AP8152329	Phillips screw, SWP M5x20	9	
19	AP8150509	Self-tap screw 5x14	4	
20	AP8120772	Breather pipe	1	
21	B063214	Tubazione blow-by	2	
22	GU93305061	Hose clamp 61/65,5	1	
23	AP8102766	Hose clamp	3	
24	AP8120772	Breather pipe	1	
25	GU91551010	Rubber spacer	2	
26	AP8221023	T bush	2	
27	AP8152329	Phillips screw, SWP M5x20	2	
28	AP8104996	Anti-return valve	1	

Group	FRAME
Code	33.52
Description	Air box II
Service	1



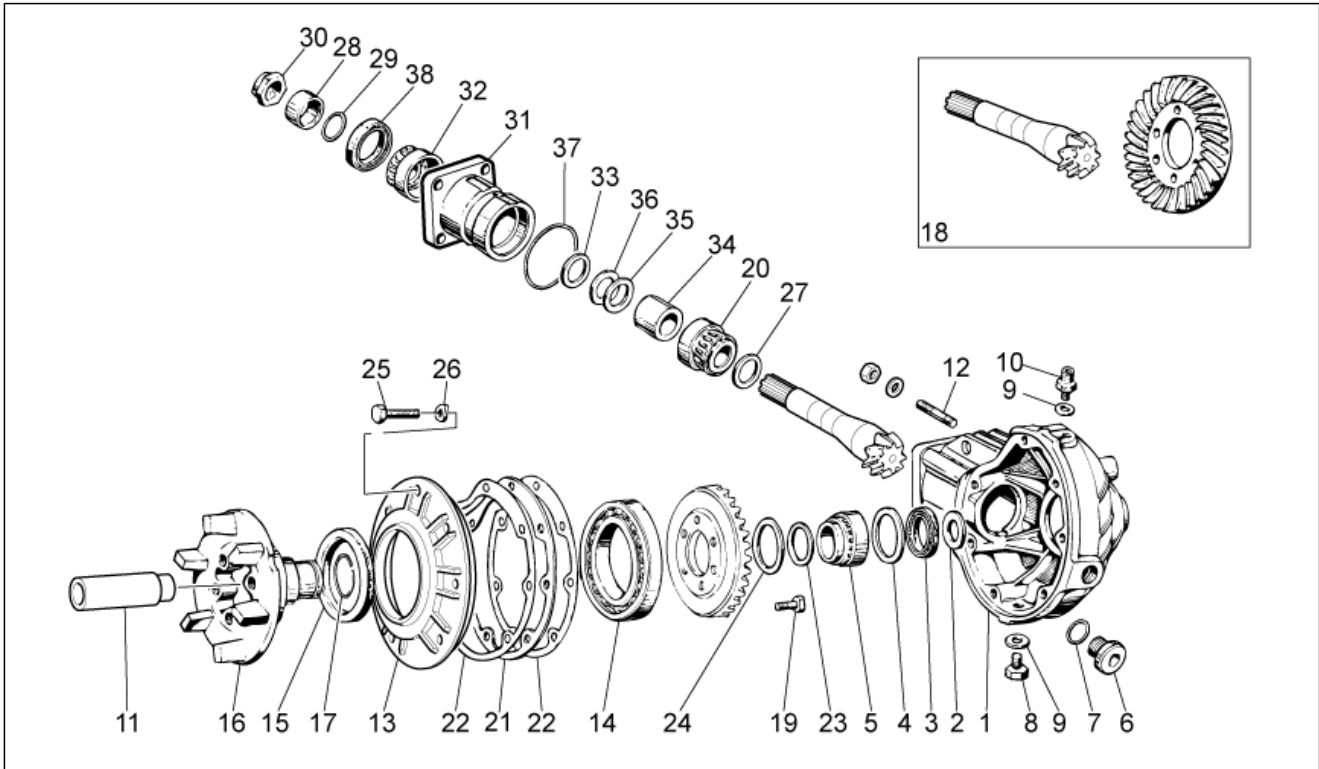
Pos.	Code	Description	Qty	Variants
29	AP8102765	White hose clip D.13,5x6	2	
30	B063213	Breather	1	
31	GU90714082	Gasket	1	
32	GU00823923140	Thermal sheath	1	
33	GU31112965	Square	1	
34	AP8201358	Hose clamp D 11,9	2	
35	AP8120772	Breather pipe	1	
36	2B000045	3-way union	1	
37	GU28157950	Hose clip 12,5x8	3	

Group	ENGINE
Code	34.09
Description	Transmission complete I
Service	1



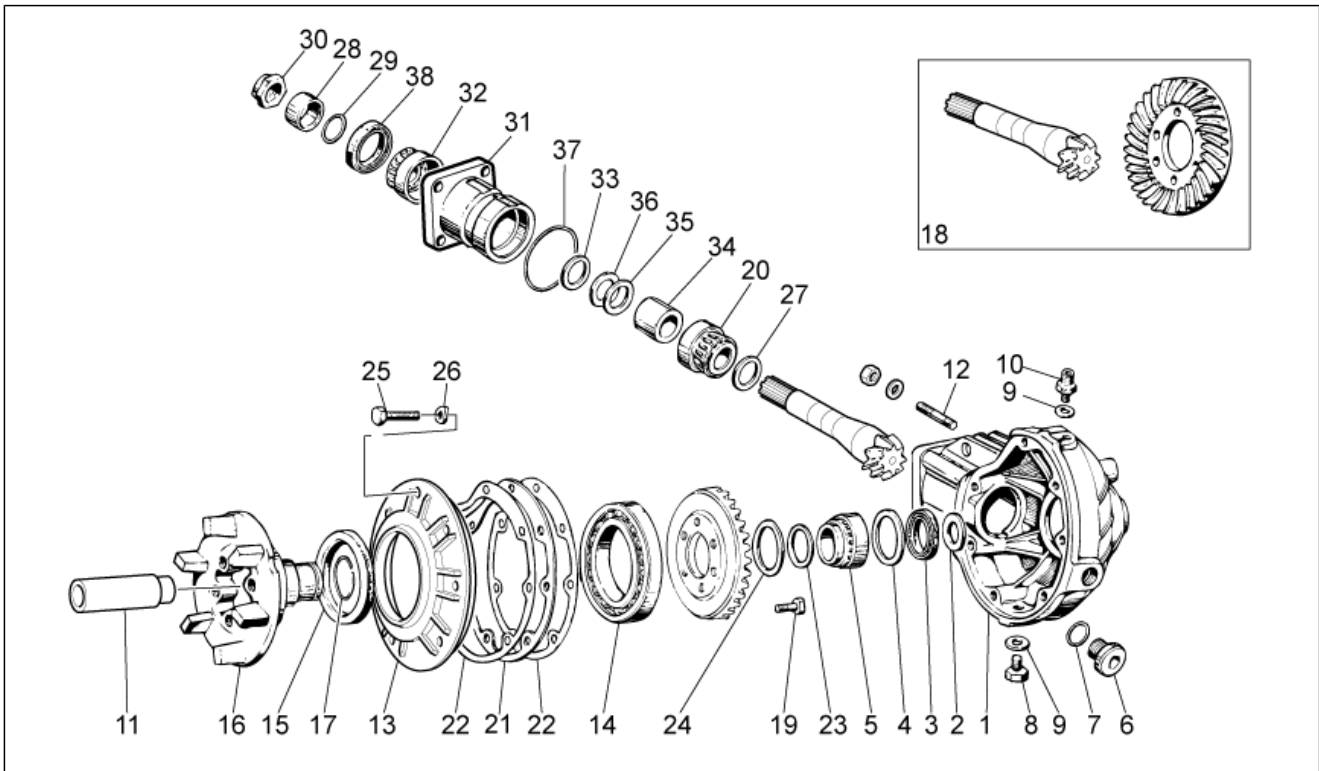
Pos.	Code	Description	Qty	Variants
1	976941	Transmission box assy., black	1	
2	GU31327783	Hose	1	
3	GU19328801	Hose	1	
4	GU90272023	Circlip	1	
5	GU19327601	Disc	1	
6	GU94321099	Spring	1	
7	GU23328081	Coupling	1	
8	GU23548080	Protection collar	1	
9	GU23548180	Spring	1	
10	AP8120246	Hose clamp D=60-80	1	
11	886676	Swing arm, red	1	
12	GU19547000	Pin	2	
13	GU35214300	Spacer	1	
14	GU31547882	Nut	2	
15	GU31544181	Pin	1	
16	GU98680545	screw M10x45	1	
17	GU95008210	Washer 10,2X18X2	1	
18	GU92606210	Nut M10x1,5	1	
19	GU92787008	Cap nut M8x1,25	4	
20	GU14615901	Washer 8,4X13X0,8	4	
21	GU93180105	Cover	2	
22	GU95005308	Washer 8,4x14,57x1,6	4	
23	GU03922280	Cover 5x9	1	

Group	ENGINE
Code	34.10
Description	Transmission complete II
Service	1



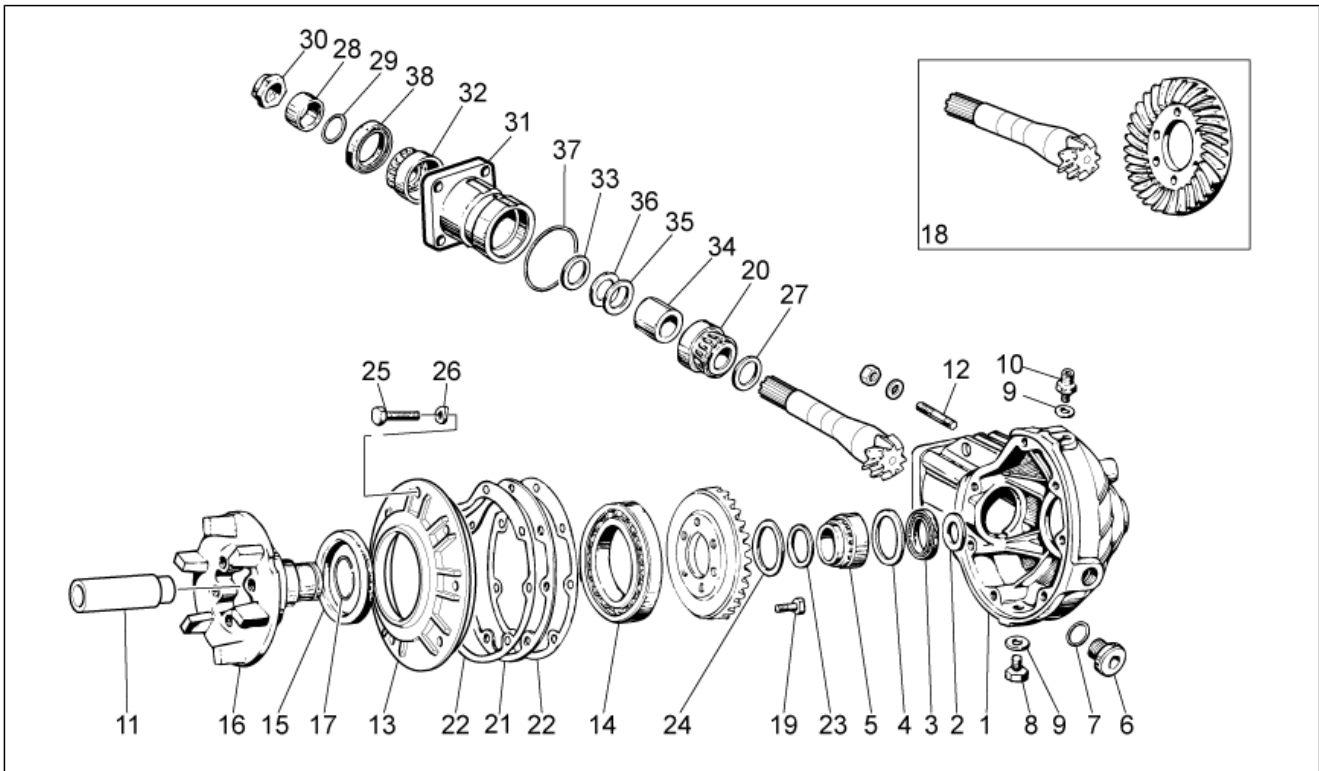
Pos.	Code	Description	Qty	Variants
1	976608	Transmission housingblack	1	
2	GU19351900	Clearance washer	1	
3	GU90403549	Gasket ring 35x47x7	1	
4	GU19351100	Clearance washer	1	
5	GU92252235	Roller bearing 35x50x17	1	
6	GU12022600	Oil plug	1	
7	GU90706203	O-ring 20,24x2,62	1	
8	GU31003766	Oil unload plug M10x1	1	
9	GU01528930	Gasket 10x18x1,5	2	
10	GU19206501	Breather plug	1	
11	GU32633560	Spacer	1	
12	GU96508055	Stud bolt	4	
13	GU32350410	Cover	1	
14	GU92201070	Ball bearing 70x110x13	1	
15	GU90407591	Gasket ring 75x95x10	1	
16	GU32351410	Pin	1	
17	GU90353030	Stop ring	1	
18	GU32354610	Bevel gear 8/33	1	
19	GU03067730	screw M8x25	6	
20	GU92249227	Tap.roller bearing 25x5	1	
21	GU19355400	Spacer 0,8 mm	1	
21	GU19355402	Spacer 0,9 mm	1	
21	GU19355404	Spacer 1 mm	1	
21	GU19355406	Spacer 1,1 mm	1	
21	GU19355408	Spacer 1,2 mm	1	
21	GU19355410	Spacer 1,3 mm	1	
21	GU19355411	Spacer 1,4 mm	1	
21	GU19355412	Spacer 1,5 mm	1	

Group	ENGINE
Code	34.10
Description	Transmission complete II
Service	1



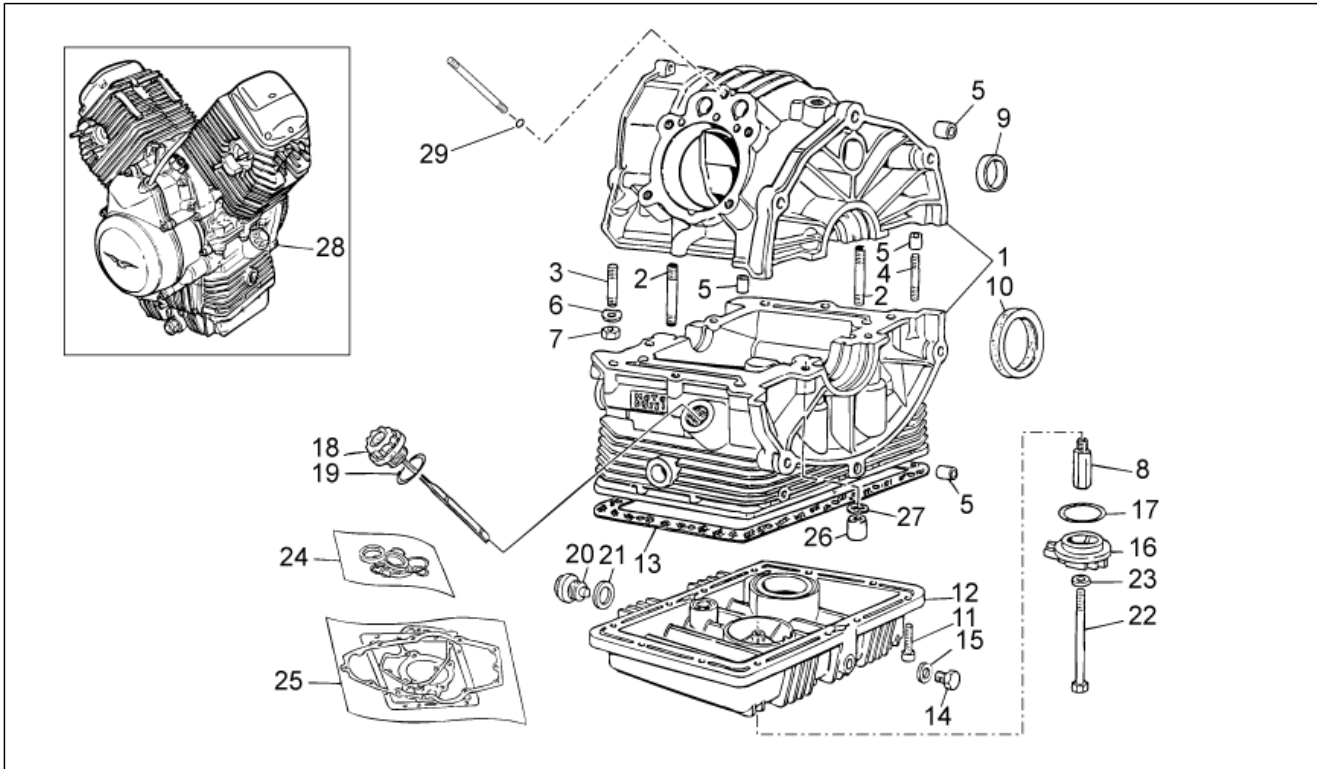
Pos.	Code	Description	Qty	Variants
21	GU19355413	Spacer 1,6 mm	1	
22	GU19350700	Gasket	2	
23	GU19352300	Thrust washer	1	
24	GU19353500	Thrust washer	1	
25	GU19357660	screw	7	
26	GU61270300	Spring washer 8x15x0,3	7	
27	GU19355320	Spacer 1 mm	1	
27	GU19355321	Spacer 1,1 mm	1	
27	GU19355322	Spacer 1,2 mm	1	
27	GU19355323	Spacer 1,3 mm	1	
27	GU19355324	Spacer 1,4 mm	1	
27	GU19355325	Spacer 1,5 mm	1	
27	GU19355326	Spacer 1,6 mm	1	
27	GU19355327	Spacer 1,7 mm	1	
27	GU19355328	Spacer 1,8 mm	1	
27	GU19355329	Spacer 1,9 mm	1	
28	GU19356801	Spacer	1	
29	GU90706188	Gasket ring 18,77X1,78	1	
30	GU19356700	Nut	1	
31	GU20352421	Flange	1	
32	GU92249220	Roller bearing 20x47x14	1	
33	GU19355300	Spacer 1 mm	1	
33	GU19355301	Spacer 1,1 mm	1	
33	GU19355302	Spacer 1,2 mm	1	
33	GU19355303	Spacer 1,3 mm	1	
33	GU19355304	Spacer 1,4 mm	1	
33	GU19355305	Spacer 1,5 mm	1	
33	GU19355306	Spacer 1,6 mm	1	

Group	ENGINE
Code	34.10
Description	Transmission complete II
Service	1



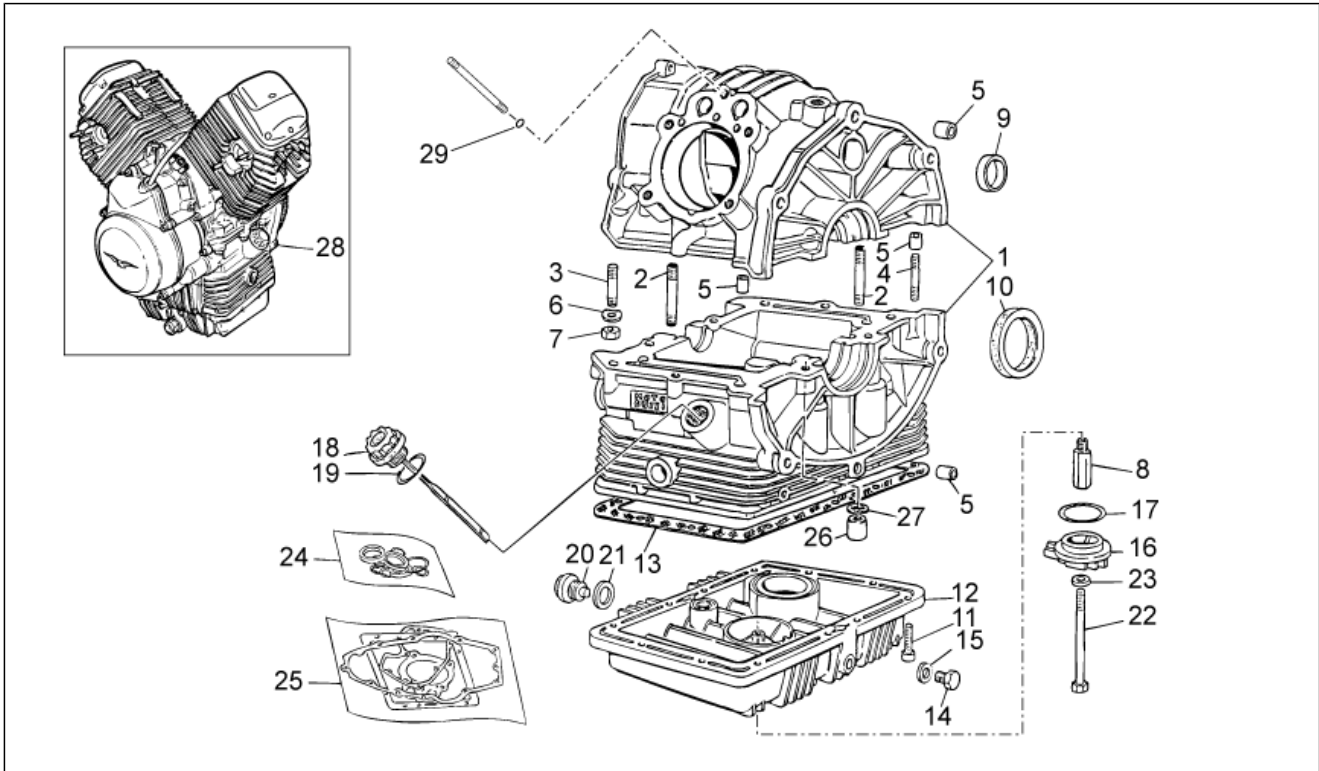
Pos.	Code	Description	Qty	Variants
33	GU19355307	Spacer 1,7 mm	1	
33	GU19355308	Spacer 1,8 mm	1	
33	GU19355309	Spacer 1,9 mm	1	
34	GU20355121	Spacer	1	
35	GU19355200	Shim 0,1 mm	1	
36	GU19355202	Shim 0,15 mm	1	
37	GU90706584	Gasket 58,42x2,62	1	
38	GU90403251	Gasket ring 32x47x10	1	

Group	ENGINE
Code	34.34
Description	Crank-case
Service	1



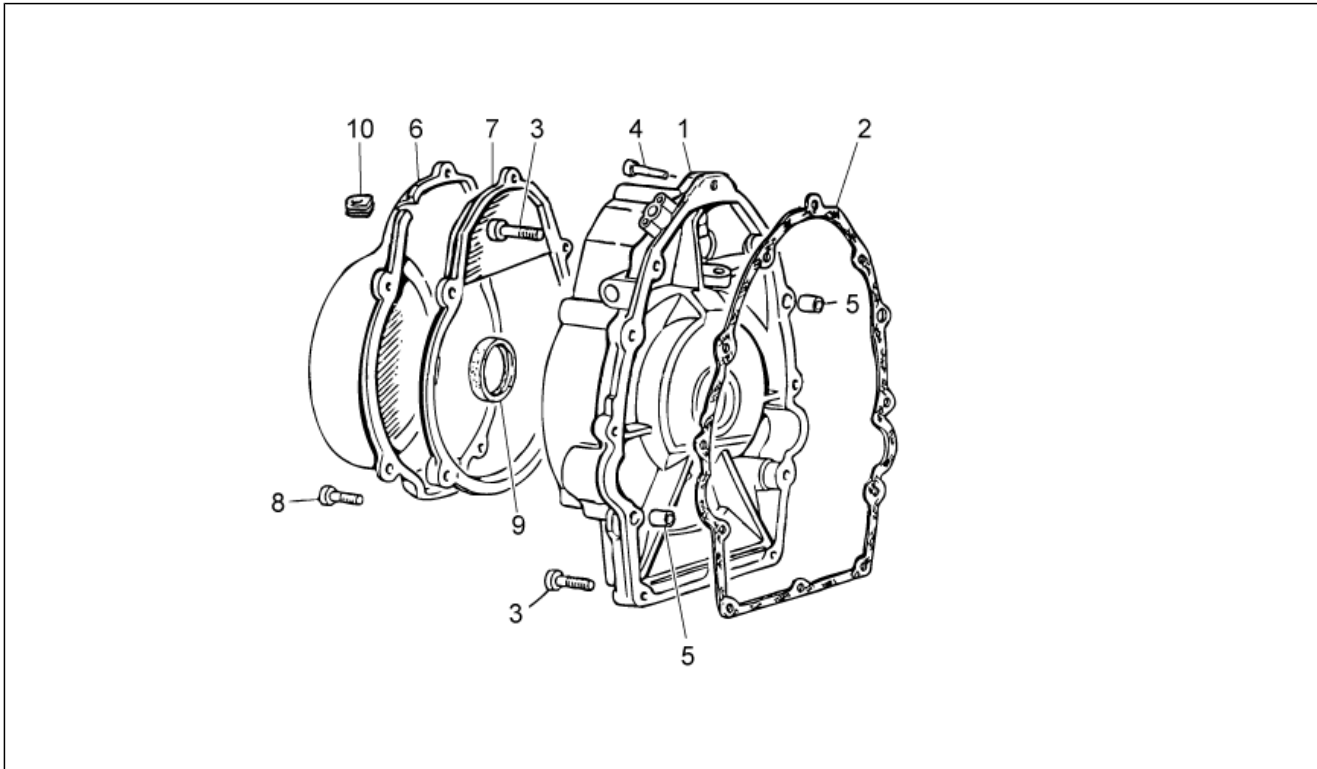
Pos.	Code	Description	Qty	Variants
1	976600	Crankcase black	1	
2	GU96451560	Stud bolt	4	
3	GU96451430	Stud bolt	4	
4	GU96508055	Stud bolt	2	
5	GU19015020	Bushing	4	
6	GU61270300	Spring washer 8x15x0,3	6	
7	GU92606208	Nut M8x1,25	6	
8	GU19003800	Joint	1	
9	GU19016320	Cover	1	
10	GU04000500	Gasket ring	1	
11	GU98682325	Hex socket screw M6x25	12	
12	976604	Oil sump black	1	
13	GU19003602	Gasket	1	
14	GU31003766	Oil unload plug M10x1	1	
15	GU10528900	Gasket	1	
16	976685	Plug	1	
17	GU90706444	O-ring	1	
18	GU27004985	Oil load plug	1	
19	GU90706281	O-ring 28,24x2,62	1	
20	GU12003702	Oil unload plug	1	
21	GU95100709	Gasket 20,1x28x2	1	
22	GU27152885	Bolt	1	
23	GU12154200	Gasket 8,25x15x1	1	
24	GU32999510	Oil seals - set	1	
25	GU32999010	Gasket set	1	
26	GU13021900	Column nut	4	
27	GU95129180	Washer 10,5X18X0,8	4	
28	976939	Engine assy w/hout transm.	1	

Group	ENGINE
Code	34.34
Description	Crank-case
Service	1



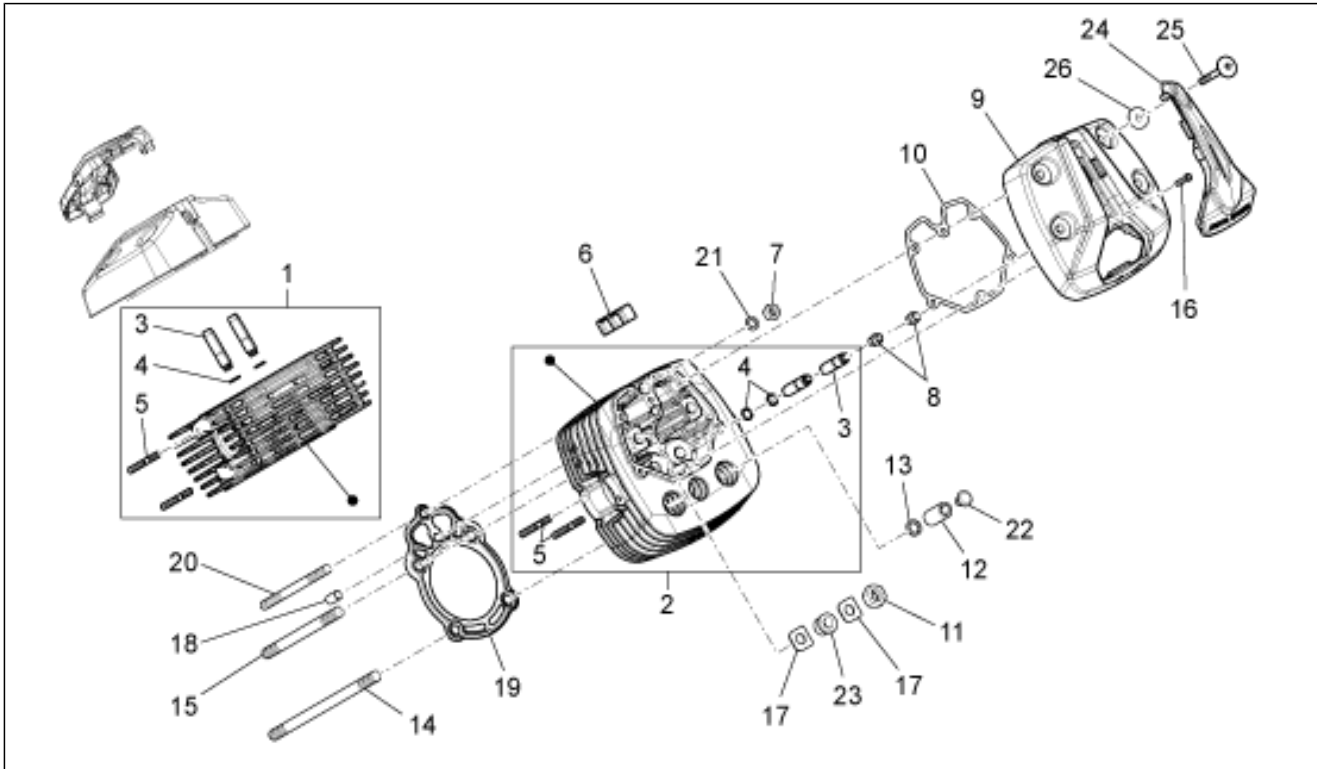
Pos.	Code	Description	Qty	Variants
29	GU90706076	O-ring	2	

Group	ENGINE
Code	34.35
Description	Timing system cover
Service	1



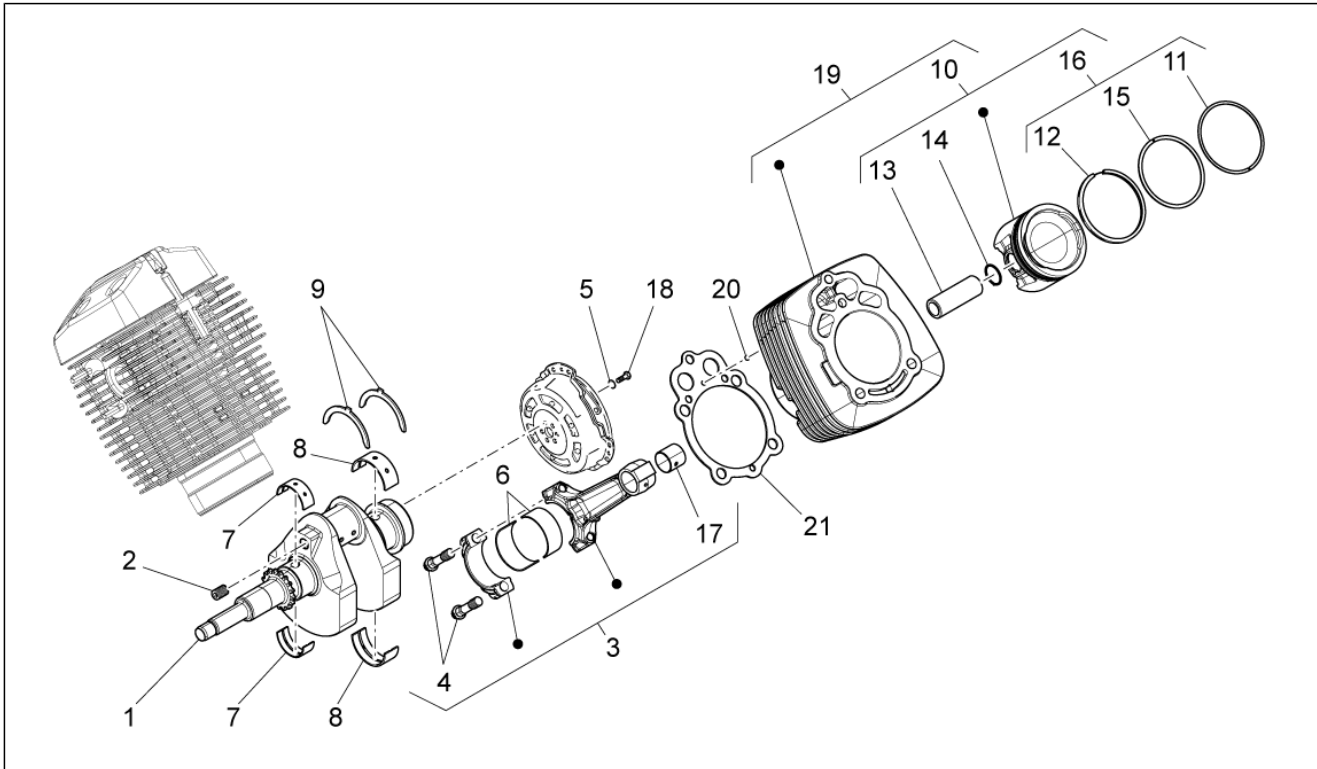
Pos.	Code	Description	Qty	Variants
1	976603	Timing cover black	1	
2	GU19001200	Gasket	1	
3	GU98682325	Hex socket screw M6x25	10	
4	GU98680330	Hex socket screw M6x30	2	
5	GU19002020	Bushing 6,6x9x13	2	
6	GU32001610	Cover	1	
7	GU27001136	Flange	1	
8	GU98680335	Hex socket screw M6x35	5	
9	GU90402842	Gasket ring	1	
10	GU19007700	Rubber spacer	1	

Group	ENGINE
Code	34.36
Description	Cylinder head
Service	1



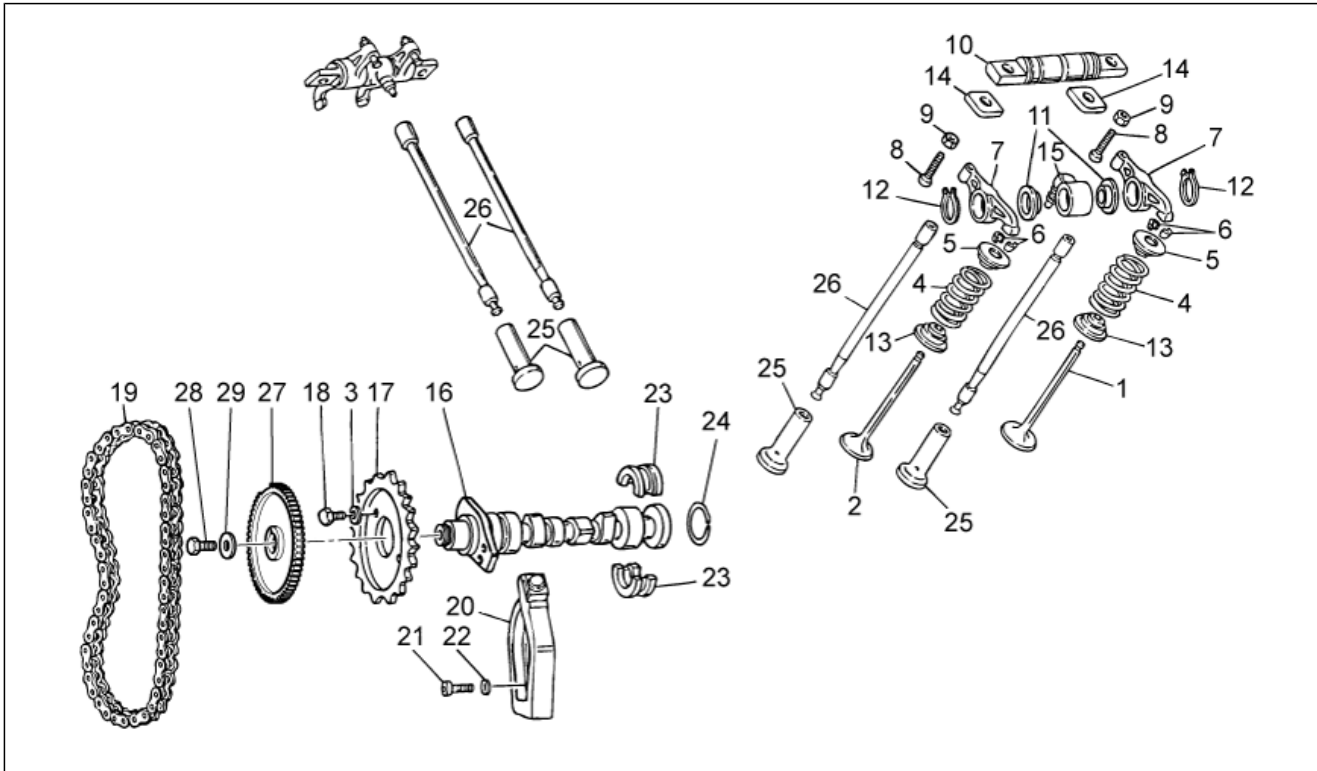
Pos.	Code	Description	Qty	Variants
1	8872724	RH head	1	
2	8872754	LH head	1	
3	GU61036801	Valve guide	4	
4	GU90353009	Snap ring	4	
5	GU96506042	Stud bolt	4	
6	B063111	Tassello antivibrante	4	
7	GU19021920	Nut	2	
8	GU19037820	Oil seal	4	
9	887523	Head cover	2	
10	887002	Head cover gasket	2	
11	GU92603010	Nut M10X1,5	4	
12	GU13021900	Column nut	4	
13	GU95129180	Washer 10,5X18X0,8	4	
14	GU96510214	Stud bolt M10x214	4	
15	GU96510181	Stud bolt M10x182	4	
16	GU98692325	Hex socket screw M6x25	4	
17	GU19032980	Spacer	8	
18	GU19021360	Bushing	2	
19	B063099	Cylinder head gasket	2	
20	GU96508145	Stud bolt M8x143	2	
21	GU61270300	Spring washer 8x15x0,3	2	
22	GU93180245	Cover	4	
23	AP8144071	Rubber exhaust	1	
24	887279	Spark plug cover	2	
25	887483	Vite coperchio testa M6x52.5	8	
26	969973	Washer	8	

Group	ENGINE
Code	34.37
Description	Crankshaft cpl.
Service	1



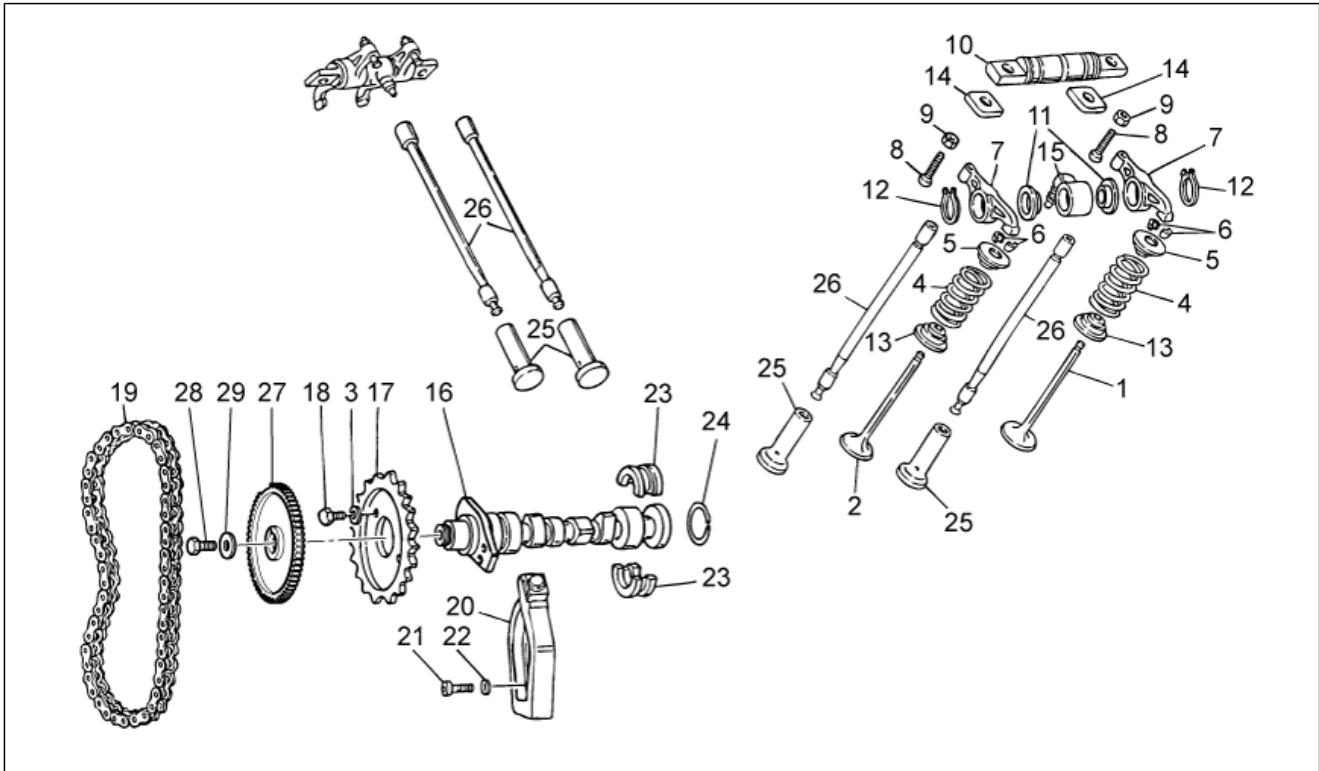
Pos.	Code	Description	Qty	Variants
1	GU320642104	Crankshaft cpl.	1	
2	GU19065400	Cover	1	
3	GU27061585	Connecting rod cpl.	2	
4	GU19062261	screw	4	
5	GU14615901	Washer 8,4X13X0,8	6	
6	GU27062060	Bearing half-shell	4	
7	GU27065660	Front main half-bearing	2	
8	GU27066560	Rear main half-bearing	2	
9	GU27066460	Half-clamp	2	
10	8872690001	[...]	1	
10	8872690002	Pistone cpl. d.80 Cat. E	1	
10	8872690003	Pistone cpl. d.80 Cat. F	1	
11	B063018	Slot piston ring	2	
12	B063020	Scraper ring	2	
13	B063016	Piston pin	2	
14	874567	Stop ring	4	
15	B063019	Slot piston ring	2	
16	B063466	Pistonring set	2	
17	GU27061885	Bushing	2	
18	GU19067700	screw	6	
19	B063465	Cylinder with piston	2	
20	GU61027200	O-ring	2	
21	886670	Cylinder gasket	2	

Group	ENGINE
Code	34.38
Description	Timing system
Service	1



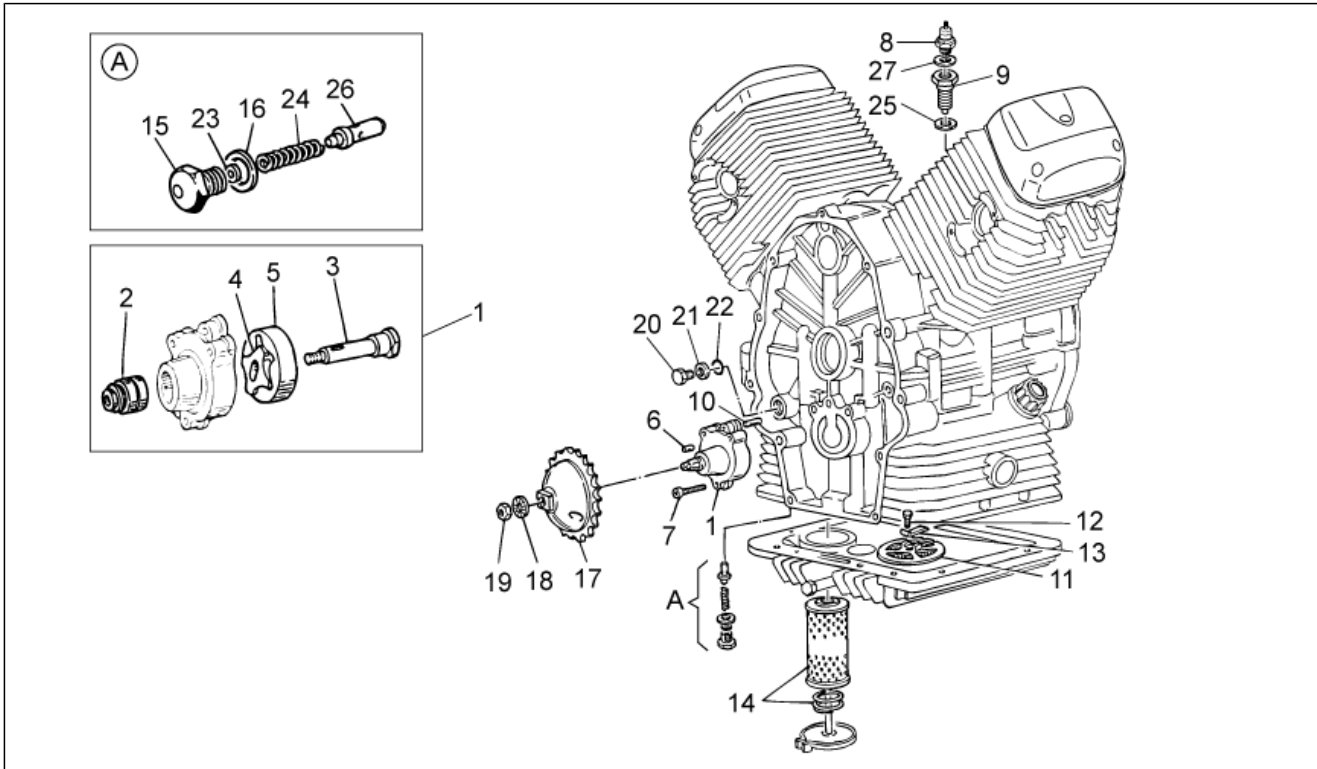
Pos.	Code	Description	Qty	Variants
1	GU20036020	Intake valve	2	
2	GU20036120	Exhaust valve	2	
3	GU23217800	Safety washer	2	
4	GU27037521	Spring	4	
5	GU31038015	Upper cup	4	
6	GU61038100	Half-cone	8	
7	GU19030500	Rocker arm assy.	4	
8	GU19034000	screw	4	
9	GU92602406	Nut M6x1	4	
10	GU19032080	Rocker shaft	2	
11	GU32032310	Thrust washer	4	
12	GU90271018	Circlip	4	
13	GU31037015	Lower cup	4	
14	GU19032980	Spacer	4	
15	GU19027500	Hose	2	
16	GU32053410	Camshaft	1	
17	GU32054510	Timing system gear	1	
18	GU61054900	Bolt	2	
19	GU19058021	Camshaft chain	1	
20	GU19058220	Chain stretching drive	1	
21	GU98882316	screw	1	
22	GU95129115	Washer	1	
23	GU19055700	Sector	2	
24	GU90353029	Snap ring	1	
25	GU19045861	Tappet	4	
26	GU31045015	Rocker arm rod	4	
27	887528	Wheel speed sensor, left front	1	
28	GU98054422	screw M8x22	1	

Group	ENGINE
Code	34.38
Description	Timing system
Service	1



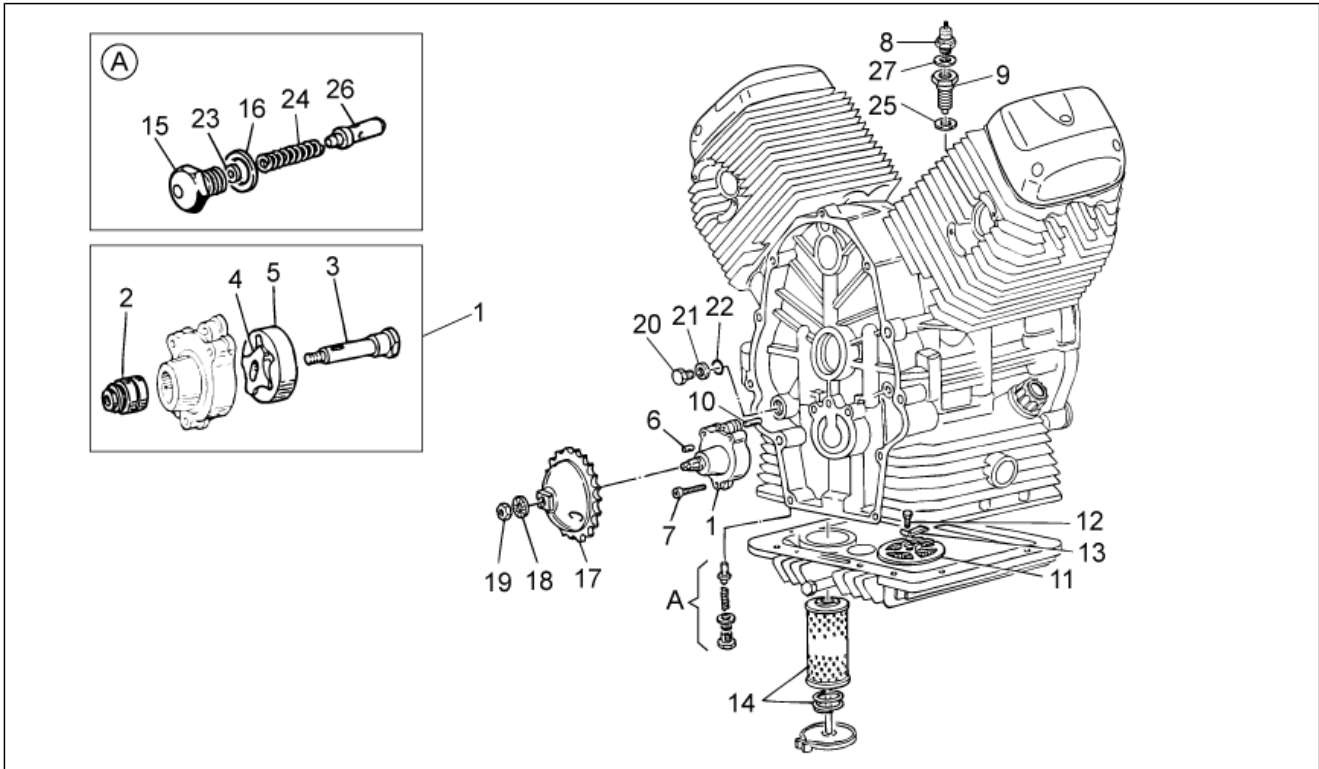
Pos.	Code	Description	Qty	Variants
29	GU95100244	Washer	1	

Group	ENGINE
Code	34.39
Description	Oil pump
Service	1



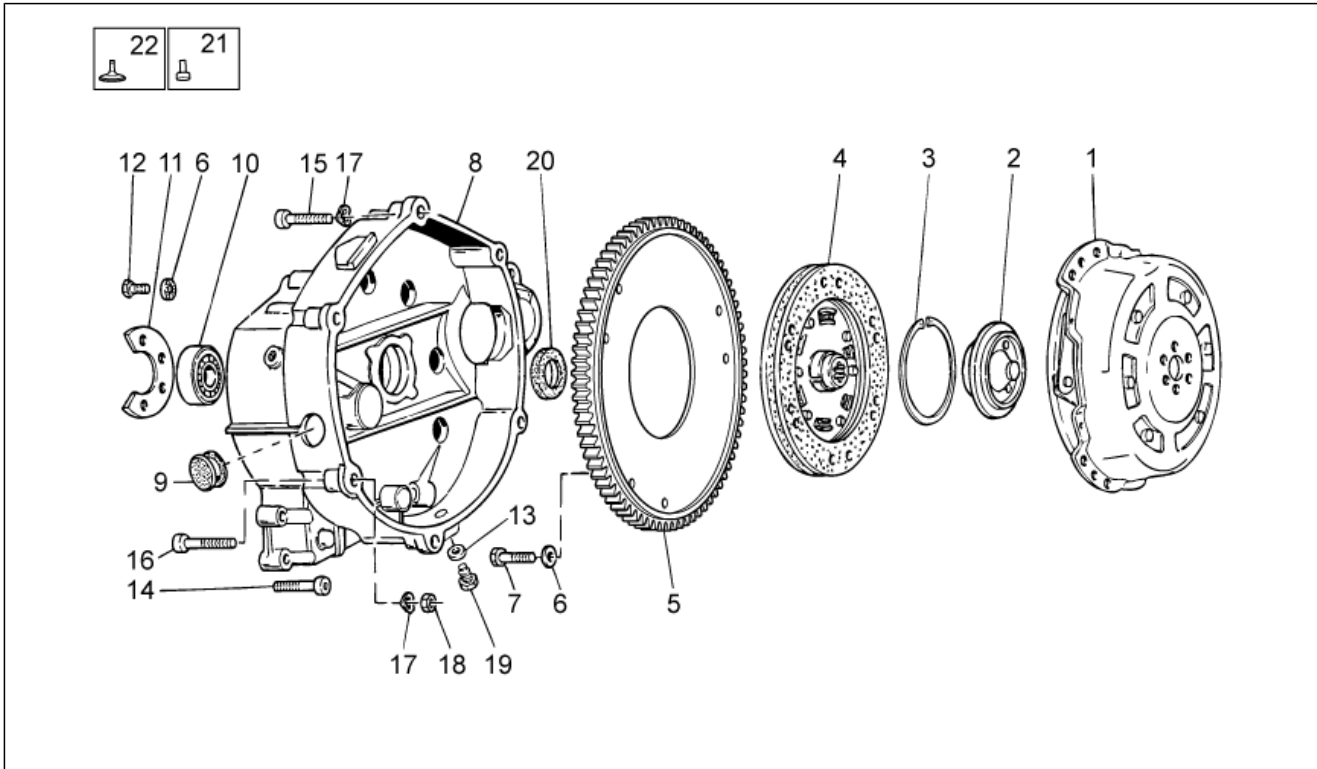
Pos.	Code	Description	Qty	Variants
1	GU19146422	Oil pump	1	
2	GU92252210	Roller bearing 10x22x20	1	
3	GU20147810	Oil pump shaft assy.	1	
4	GU20148410	Inner rotor	1	
5	GU20148610	Outer rotor	1	
6	GU92296723	Roller	1	
7	GU98620335	screw M6x35	3	
8	641541	Oil pressure sensor	1	
8	GU32768710	Pressure sensor	1	
9	887093	Union	1	
9	GU32768810	Union	1	
10	GU19018920	Pin	2	
11	GU19152200	Oil filter	1	
12	GU98084314	Hex screw M6x14	1	
13	GU95187006	Plate	1	
14	GU27153085	Oil filter	1	
15	GU31159050	Cover	1	
16	GU18144350	Washer 18,25x24x1	3	
17	GU20147710	Pump gear	1	
18	GU19149800	Washer 10,5x16x1	1	
19	GU92602510	Nut M10x1,25	1	
20	GU31016050	Cover	1	
21	GU18161150	Gasket 14,25	1	
22	GU90706111	O-ring	1	
23	GU95008206	Washer 6,15x11x0,8	3	
24	GU94321079	Spring	1	
25	GU95100602	Gasket	1	
26	GU31159050	Piston	1	

Group	ENGINE
Code	34.39
Description	Oil pump
Service	1



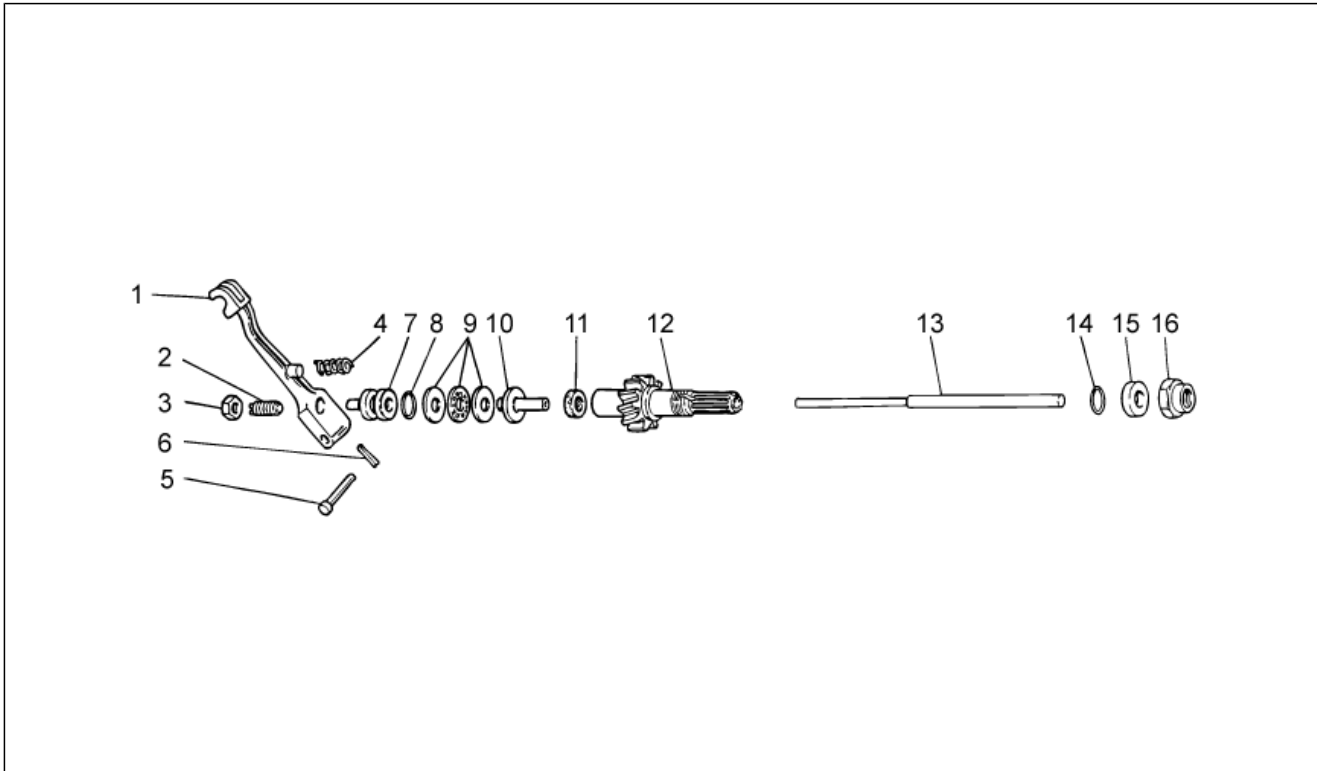
Pos.	Code	Description	Qty	Variants
27	GU95100309	Washer	1	

Group	ENGINE
Code	34.40
Description	Clutch I
Service	1



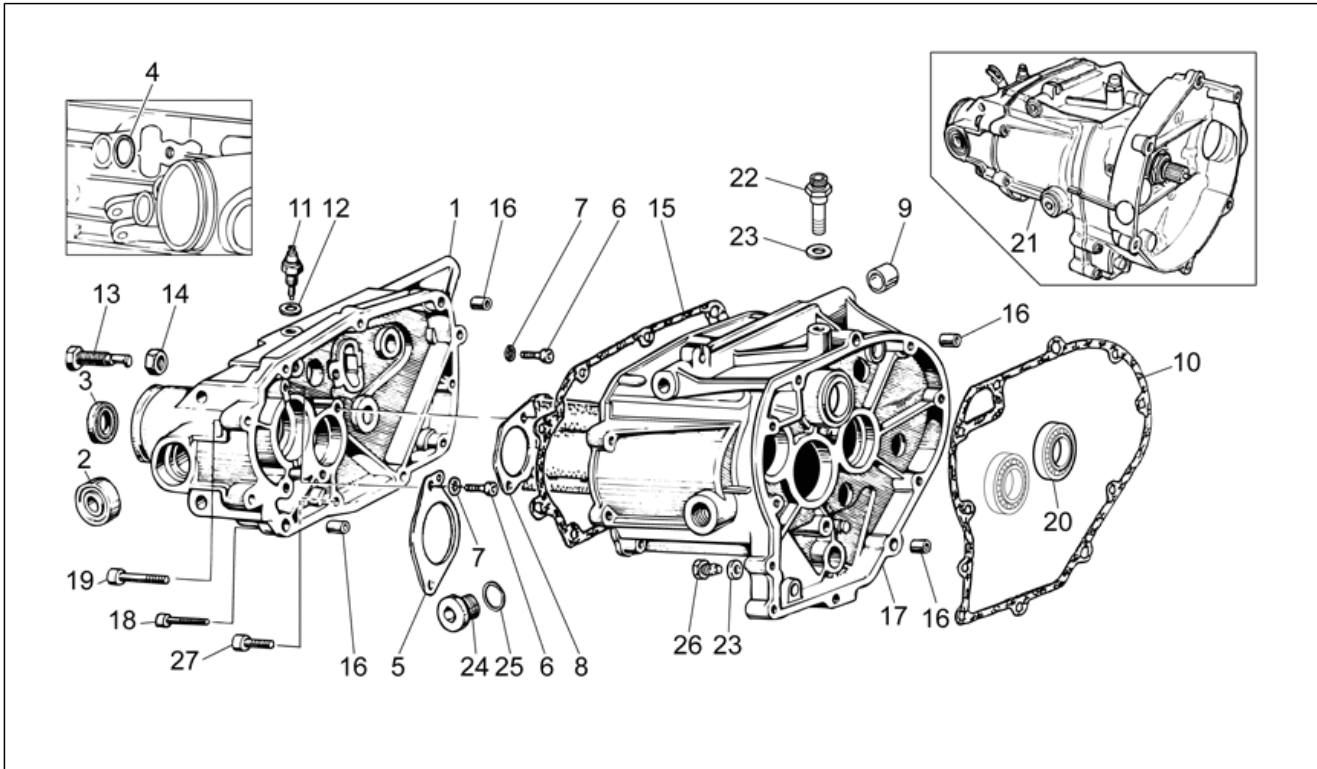
Pos.	Code	Description	Qty	Variants
1	GU32080310	Clutch	1	
2	GU19083462	New cup type	1	
3	GU90272075	Snap ring	1	
4	GU32084410	Driven clutch disc	1	
5	GU32067910	Chain ring	1	
6	GU14217901	Washer 6,4x10x0,7	9	
7	GU98084316	Hex screw	6	
8	981070	Clutch drum	1	
9	GU93180220	Cover	1	
10	GU92201225	Bearing 25x52x15	1	
11	GU19203460	Bearing fixing plate	1	
12	GU98084314	Hex screw M6x14	3	
13	GU10528900	Gasket	1	
14	GU98682330	Hex socket screw M6x20	11	
15	GU98680435	Hex socket screw M8x35	5	
16	GU98680450	Hex socket screw M8x50	1	
17	GU61270300	Spring washer 8x15x0,3	6	
18	GU92606208	Nut M8x1,25	1	
19	GU31003766	Oil unload plug M10x1	1	
20	GU90403246	Gasket ring 32x45x7	1	
21	GU23204471	Getto per a.s.	1	
22	GU23204571	Getto per a.p.	1	

Group	ENGINE
Code	34.41
Description	Clutch II
Service	1



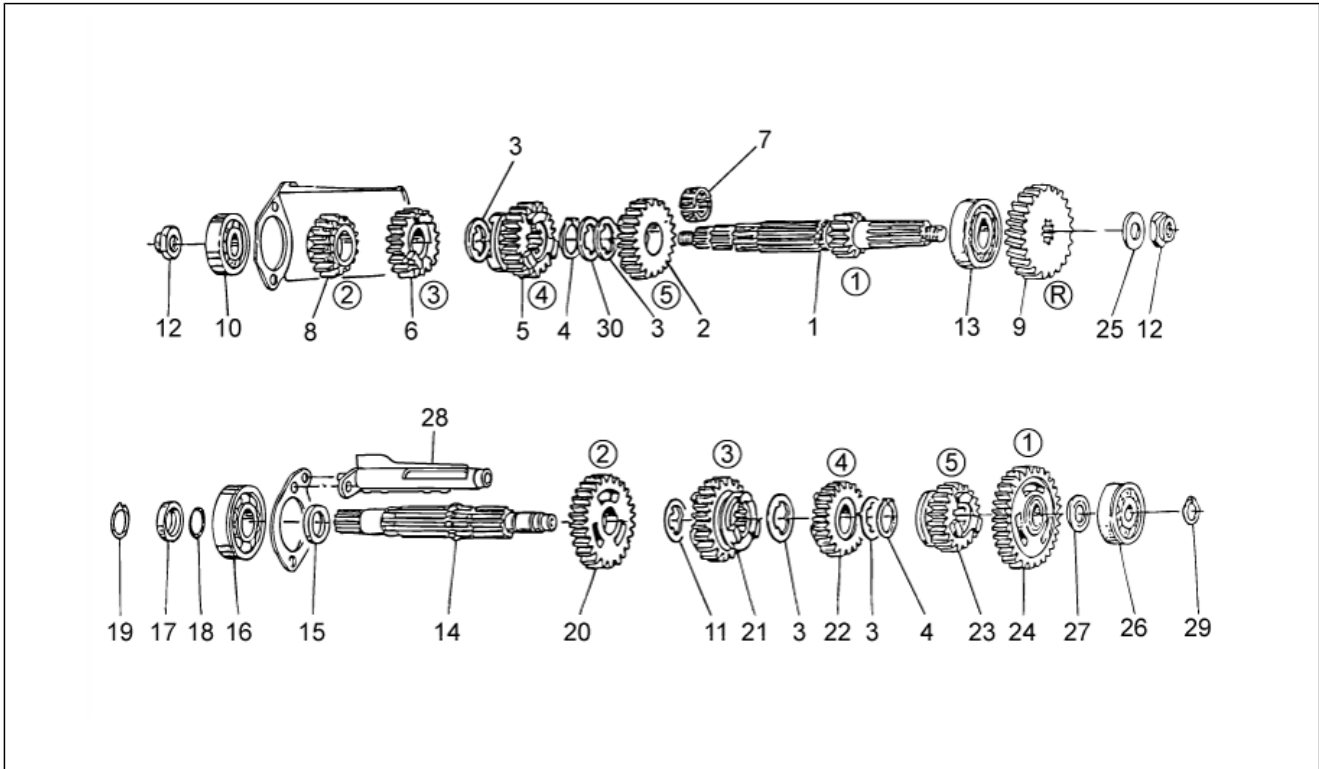
Pos.	Code	Description	Qty	Variants
1	GU14090201	Clutch relese shaft	1	
2	GU14090400	Adjuster screw	1	
3	GU92606508	Nut	1	
4	GU94321105	Lever return spring	1	
5	GU95780271	Pin 7x39	1	
6	GU95500222	Split pin	1	
7	GU14086100	Outer body	1	
8	GU90706170	O-ring 17,13x2,62	1	
9	GU12087001	Thrust bearing	1	
10	GU14086000	Inner body	1	
11	GU90400616	Gasket ring 6x16x7	1	
12	GU27210760	Transmission shaft Z=16	1	
13	GU20085720	Rod	1	
14	GU90706235	O-ring 23,52x1,78	1	
15	GU19213760	Spacer	1	
16	GU19356760	Nut	1	

Group	ENGINE
Code	34.42
Description	Transmission cage
Service	1



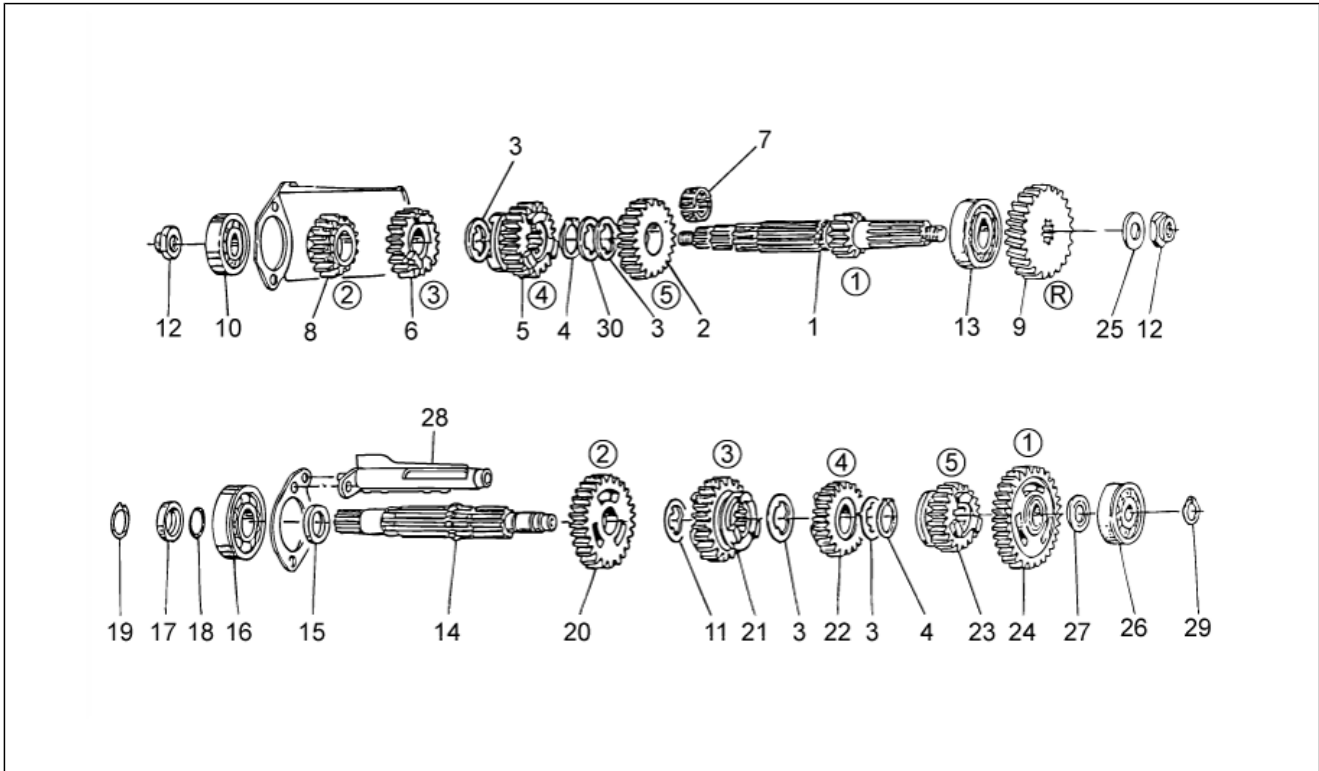
Pos.	Code	Description	Qty	Variants
1	887213	Gearbox cover	1	
2	GU92204215	Bearing 15x35x11	2	
3	886364	Gasket ring 28x40x7	1	
4	GU90706140	O-ring 13,95x2,92	1	
5	GU32213810	Plate	1	
6	884031	Hex socket screw M6x14	4	
7	GU14217901	Washer 6,4x10x0,7	4	
8	GU32208210	Oil bulhead	1	
9	GU19202320	Bushing 10,25x15,7x8	2	
10	887005	Gasket	1	
11	B063269	Sensor	1	
12	GU12154200	Gasket 8,25x15x1	1	
13	GU19237800	Screw M12x1,25	1	
14	GU92606512	Low nut M12x1,25	1	
15	887006	Gasket	1	
16	GU19002020	Bushing 6,6x9x13	4	
17	887235	Transmission cage	1	
18	GU98682330	Hex socket screw M6x20	5	
19	GU98680435	Hex socket screw M8x35	4	
20	B063342	Ball bearing 6004/C3	1	
21	976992	Gear box assy	1	
22	GU32206510	Breather plug	1	
23	GU10528900	Gasket	2	
24	GU12022600	Oil plug	1	
25	GU90706203	O-ring 20,24x2,62	1	
26	GU31003766	Oil unload plug M10x1	1	
27	AP8150285	Hex socket screw M6x35	2	

Group	ENGINE
Code	34.43
Description	Gear box
Service	1



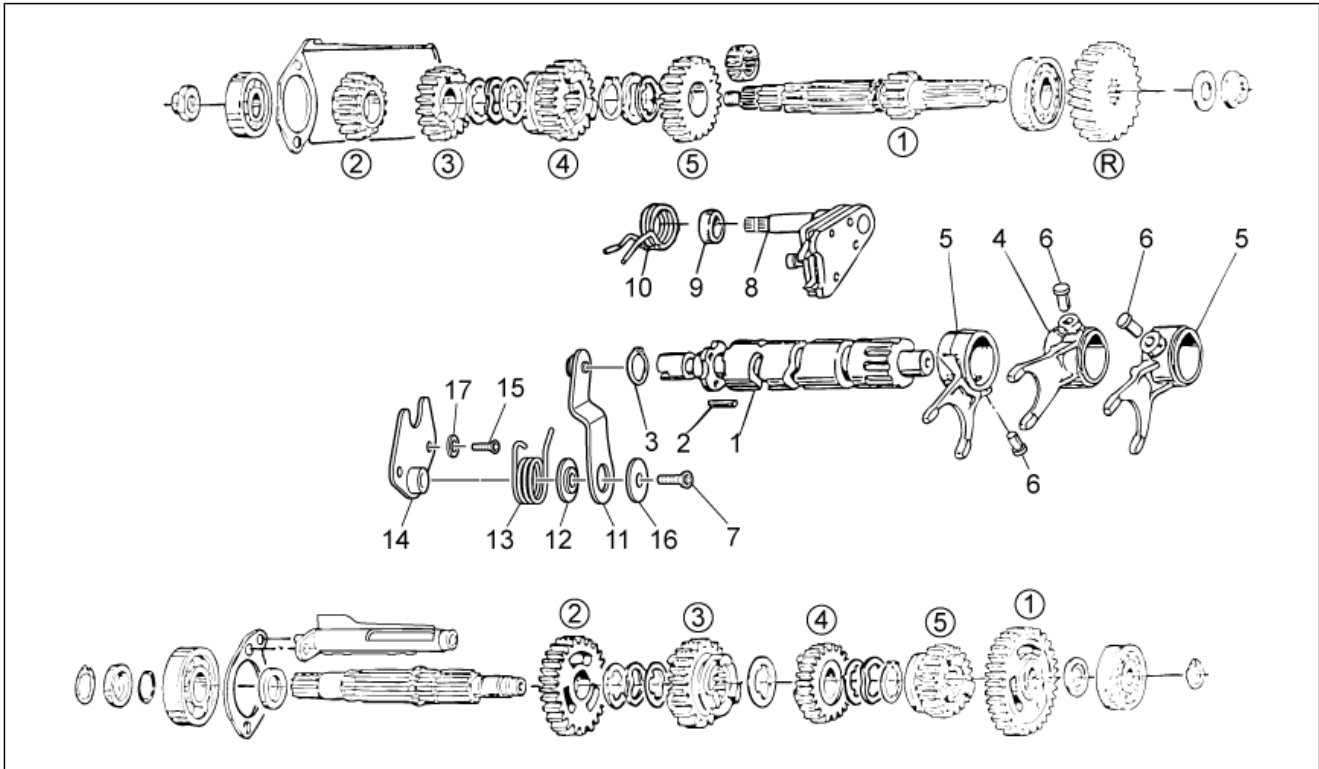
Pos.	Code	Description	Qty	Variants
1	GU32210510	Primary gear shaft Z=11	1	
2	GU32212011	Gear 5a AP Z=25	1	
3	GU19215460	Thrust washer	3	
4	GU90271124	Circlip	2	
5	GU32211810	Gear 4a AP Z=18	1	
6	GU32211410	Gear 3a AP Z=18	1	
7	GU92251028	Roller cage	1	
8	GU23211372	Gear 2a AP Z=14	1	
9	GU32211110	Idle gear AP Z=21	1	
10	GU92218417	Bearing AP 17x40x17,5	1	
11	GU19214660	Clearance washer	2	
12	GU10054100	Nut	2	
13	GU92230320	Bearing AP 20x37x17	1	
14	GU32213610	Driven shaft	1	
15	GU19212900	Spacer	1	
16	GU92201220	Bearing 20X47X14	1	
17	GU19213720	Spacer	1	
18	GU90706188	Gasket ring 18,77X1,78	1	
19	GU90271121	Circlip	1	
20	GU32214510	Gear 2a AS Z=23	1	
21	GU32214810	Gear 3a AS Z=23	1	
22	GU32215010	Gear 4a AS Z=19	1	
23	GU32215210	Gear 5a AS Z=22	1	
24	GU32214010	Gear 1a AS Z=26	1	
25	GU39238100	Clearance washer	1	
26	GU92234716	Bearing	1	
27	GU10214300	Spacer 1,5 mm	1	
27	GU10214301	Spacer 1,7 mm	1	

Group	ENGINE
Code	34.43
Description	Gear box
Service	1



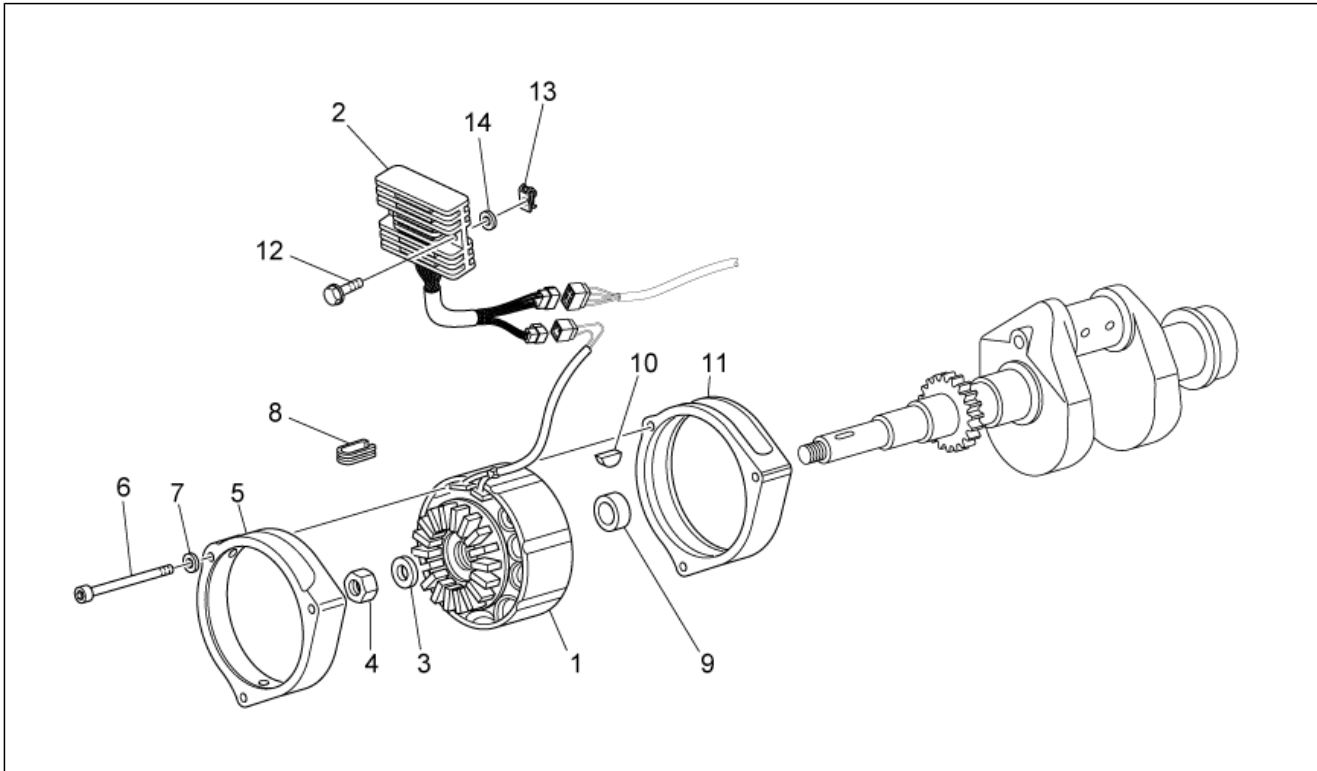
Pos.	Code	Description	Qty	Variants
27	GU10214302	Spacer 1,8 mm	1	
27	GU10214303	Spacer 1,9 mm	1	
27	GU10214304	Washer 2 mm	1	
27	GU10214305	Spacer 2,1 mm	1	
28	GU32202010	Gutter	1	
29	GU90271117	Circlip	1	

Group	ENGINE
Code	34.44
Description	Gear box selector
Service	1



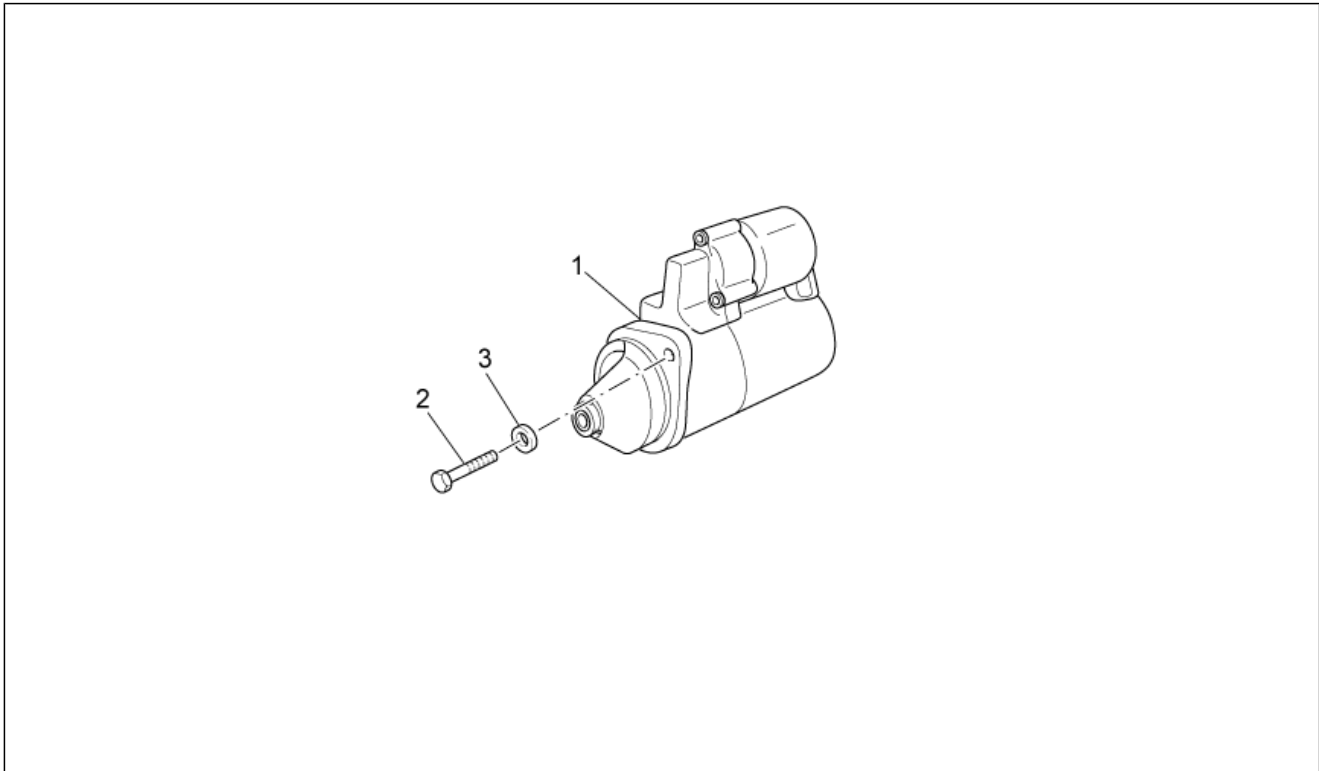
Pos.	Code	Description	Qty	Variants
1	GU32234410	Shift cam	1	
2	GU19234600	Pin	4	
3	GU90274026	Snap ring	1	
4	GU32231210	Fork AP	1	
5	GU32231010	Fork AS	2	
6	GU32233010	Roller	3	
7	GU98230612	screw	1	
8	887196	Preselection complete	1	
9	GU20208520	Spacer	1	
10	GU32238210	Spring	1	
11	GU32234710	Lever	1	
12	GU32234810	Washer	1	
13	GU32234110	Spring	1	
14	GU32235710	plate	1	
15	GU98257618	Screw M6x18	2	
16	GU32234910	Washer 6,4x20x1	1	
17	GU14217901	Washer 6,4x10x0,7	2	

Group	ENGINE
Code	34.45
Description	Generator - Regulator
Service	1



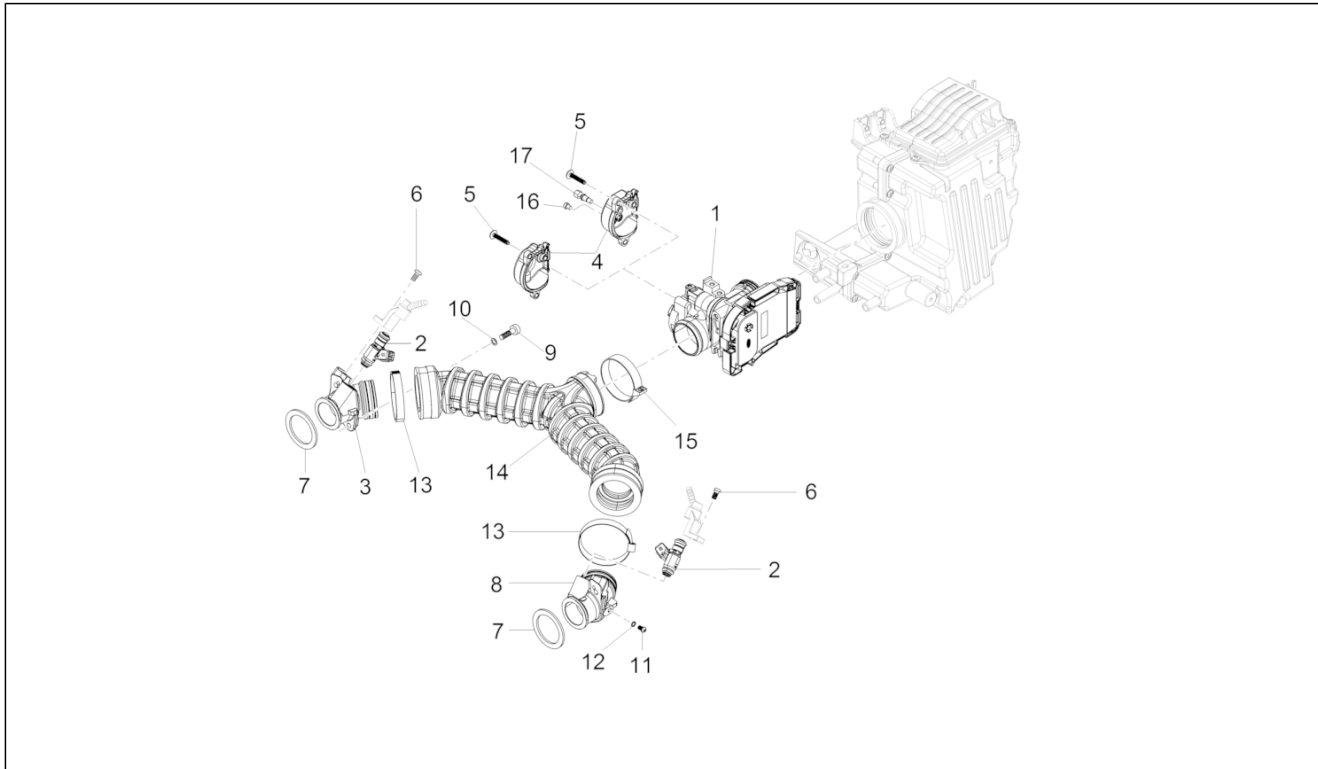
Pos.	Code	Description	Qty	Variants
1	883877	Generator	1	
2	883878	Voltage regulator 35A	1	
3	GU30714201	Washer 16,25x24,5x5	1	
4	GU92606516	Nut M16	1	
5	GU29711460	Front calotte	1	
6	GU98680265	Hex socket screw	3	
7	GU29217960	Washer 5,9X3X0,8	3	
8	GU19007700	Rubber spacer	1	
9	GU31712365	Spacer	1	
10	GU91600450	Transmission key	1	
11	GU29711960	Rear cap	1	
12	AP8152281	Screw w/ flange M6x30	2	
13	GU28576591	Clip M6	2	
14	GU95100125	Washer	2	

Group	ENGINE
Code	34.46
Description	Starter motor
Service	1



Pos.	Code	Description	Qty	Variants
1	GU05730730	Starter motor Bosch	1	
2	GU98082435	Hex screw M8x35	2	
3	GU95008208	Washer 8,4X15X1,5	2	

Group	ENGINE
Code	34.47
Description	Throttle body
Service	1



Pos.	Code	Description	Qty	Variants
1	CM228301	Centralina elettronica per iniezione	1	Country:Canadian[CA], europe[EU], Great Britain[UK], USA[USA]
1	CM228302	Centralina elettronica per iniezione	1	Country:Japan[J]
2	B063049	Injector	2	
3	GU32115010	RH manifold	1	
4	880260	Throttle body Protection	1	
4	B063840	Throttle body Protection 25-35 KW	1	
5	B016796	Torx convex big end screw	3	
6	AP8152298	Screw w/ flange M5x16	2	
7	GU32115510	Gasket	2	
8	GU32115011	LH manifold	1	
9	GU98682322	Hex socket screw M6x22	4	
10	GU03013800	Washer 6,4x12	4	
11	GU98310609	screw M6x10	2	
12	GU95100116	Washer 6,25x10x1,5	2	
13	GU93305057	Hose clamp 57x59,5x10	2	
14	887812	Throttle body hose	1	
15	GU93305061	Hose clamp 61/65,5	1	
16	AP8220488	Mushroom rubber	1	
17	B063853	Shear rivet	1	