

  
**MOTO GUZZI®**

## SPARE PARTS CATALOGUE



**V85 TT 850 E5 ABS 2021-2024 (NAFTA)**

Chassis prefix: ZGUKYUA0

Engine prefix: AX

# Index

Finished products.....	4
Alphanumeric index.....	5
Frame/bodywork.....	11
Table 01.010 - Frame/bodywork.....	11
Table 01.020 - Foot rests.....	13
Table 01.030 - Stand.....	14
Table 01.040 - Protection.....	16
Table 01.050 - Swing arm.....	18
Body.....	19
Table 02.030 - Front mudguard-Pillar.....	19
Table 02.050 - Windshield.....	21
Table 02.090 - Tank cover.....	22
Table 02.100 - Central body.....	24
Table 02.120 - Saddle.....	26
Table 02.130 - Saddle compartment.....	27
Table 02.140 - Rear body.....	28
Table 02.150 - Rear mudguard.....	29
Table 02.160 - Luggage rack.....	30
Table 02.170 - Locks.....	31
Table 02.180 - Plate set / Various.....	32
Table 02.190 - Decal.....	33
Engine.....	35
Table 03.010 - Engine-Completing part-Lever.....	35
Table 03.020 - Internal gear selectors.....	36
Table 03.030 - Crankcases I.....	37
Table 03.050 - Air box.....	38
Table 03.060 - Throttle body.....	39
Table 03.090 - Cylinder head cover.....	40
Table 03.100 - Cylinder head - valves.....	41
Table 03.120 - Timing system.....	42
Table 03.150 - Cylinder - Piston.....	44
Table 03.160 - Cranckshaft.....	45
Table 03.170 - Gear box / Selector / Shift cam.....	46
Table 03.180 - Gear box - Gear assembly.....	49
Table 03.190 - Lubrication.....	51
Table 03.196 - Blow-by system.....	53
Table 03.230 - Clutch.....	54
Table 03.270 - Flywheel cover.....	56
Table 03.290 - Starter / Electric starter.....	57
Table 03.300 - Cdi magneto assy / Ignition unit.....	58
Table 03.320 - Secondary air.....	59
Table 03.330 - Silencer.....	60
Table 03.340 - Rear transmission.....	61

---

Table 03.350 - Rear transmission / Components.....	62
Suspensions.....	64
Table 04.040 - Front fork Kayaba.....	64
Table 04.080 - Shock absorber.....	65
Wheels.....	66
Table 05.010 - Front wheel.....	66
Table 05.020 - Rear wheel.....	68
Braking system.....	70
Table 06.010 - Front master cilinder.....	70
Table 06.020 - Front brake caliper.....	71
Table 06.030 - Rear master cylinder.....	72
Table 06.040 - Rear brake caliper.....	74
Table 06.050 - ABS Brake system.....	75
Handlebar - Controls.....	76
Table 07.010 - Steering.....	76
Table 07.020 - Handlebar - Controls.....	77
Table 07.030 - Clutch control.....	79
Lights - Instruments.....	80
Table 08.010 - Front headlamps.....	80
Table 08.020 - Instruments.....	82
Table 08.030 - Rear headlamps.....	83
Tank.....	84
Table 09.010 - Fuel tank.....	84
Table 09.020 - Fuel vapour recover system.....	85
Electrical systems.....	86
Table 11.010 - Front electrical system.....	86
Table 11.020 - Central electrical system.....	87
Table 11.030 - Rear electrical system.....	88

## Finished products

Code	Validity
GU9032273CAM01	
GU9032273CAN01	
GU9032273CAN02	
GU9032273CAP01	
GU9032273CAR01	
GU9032273USM01	
GU9032273USN01	
GU9032273USN02	
GU9032273USP01	
GU9032273USR01	
GU9032274CAM01	
GU9032274CAM02	
GU9032274CAP01	
GU9032274CAP03	
GU9032274CAR01	
GU9032274CAR03	
GU9032274USM01	
GU9032274USM02	
GU9032274USP01	
GU9032274USP03	
GU9032274USR01	
GU9032274USR03	
GU9032276CAM01	
GU9032276USM01	
GU9032277CAN01	
GU9032277CAP01	
GU9032277CAR01	
GU9032277USN01	
GU9032277USP01	
GU9032277USR01	

Code	No. table	Pos.	Code	No. table	Pos.	Code	No. table	Pos.
000267	03.300	7	1A009167	03.060	1	1A017929	03.190	30
00H02201731	03.330	13	1A009346	03.120	14	1A018002	03.120	3
013763	03.190	34	1A009630	03.230	40	1A018004	03.120	29
109355	02.130	9	1A010638	11.010	7	1A018096R	03.170	48
109355	11.030	17	1A010753	03.160	9	1A0181805	03.170	43
1A000360	03.180	7	1A010855	03.150	12	1A0182085	03.170	1
1A000361	03.180	13	1A011173	03.100	10	1A018712	03.030	14
1A000365	03.180	16	1A011548	03.150	6	1A018733	03.030	13
1A000366	03.180	25	1A011722	03.100	15	1A018734	03.030	5
1A000367	03.180	23	1A011963	03.120	20	1A018912	03.170	36
1A000368	03.180	22	1A012793	03.120	17	1A019905	03.060	4
1A000370	03.180	24	1A012899	03.100	14	1A0204355	03.030	1
1A000436	03.180	10	1A0136715	03.120	15	1A023829	03.190	37
1A000566	03.180	4	1A013793	03.090	3	1A023829	03.190	40
1A000566	03.230	27	1A013795	03.090	2	1B001591	11.020	15
1A000833	03.330	7	1A013796	03.090	11	1B004354	09.010	9
1A002604	03.180	9	1A013815	03.190	3	1C001209	06.050	11
1A003001	03.170	47	1A013822	03.090	10	1C001499	05.010	21
1A003111	03.190	31	1A013883	03.120	24	1C001499	05.020	24
1A003444	03.090	7	1A013936	03.150	3	1D001393	03.060	8
1A003452	03.100	9	1A014335	03.330	9	1D002384	11.030	16
1A003632R	03.100	7	1A014410	03.190	17	1D002525	09.010	16
1A004442	03.190	35	1A014411	03.190	18	1D003323	11.020	17
1A004530	03.030	15	1A014459	03.100	6	1R000319	11.030	7
1A004549	03.190	11	1A014626	03.300	6	224566	03.350	7
1A004660	03.100	1	1A014668	03.160	6	224664	02.120	4
1A004661	03.100	1	1A014777	03.030	21	237553	03.190	12
1A004662	03.100	1	1A014844	03.190	16	254485	01.010	5
1A004750	03.100	11	1A014908	03.190	28	254485	02.150	5
1A004751	03.100	8	1A015041	03.120	13	254485	03.050	15
1A004907	03.120	27	1A015041	03.300	5	254485	03.330	8
1A004954	03.150	4	1A015068	03.170	56	254485	09.010	14
1A004955	03.150	5	1A015068	03.190	7	254485	09.020	4
1A005257	03.190	33	1A0151195	03.100	3	254485	11.010	13
1A005951	03.120	22	1A015201	03.330	25	287174	03.170	55
1A005955	03.120	8	1A015236	03.190	22	287174	03.190	8
1A006243	03.120	6	1A0152720G	03.150	2	288245	03.150	10
1A006655	03.030	3	1A0152720H	03.150	2	296141	02.140	5
1A006656	03.030	2	1A0152720L	03.150	2	2A000097	03.170	49
1A006659	03.120	25	1A0152720M	03.150	2	2A000216	03.230	14
1A0066680G	03.160	7	1A015490	03.190	20	2A000224	03.170	30
1A0066680N	03.160	7	1A015498	03.100	16	2A000225	03.170	27
1A0066680V	03.160	7	1A015607R	03.100	5	2A000226	03.170	29
1A0066690G	03.160	8	1A0156125	03.120	3	2A000241	03.170	14
1A0066690N	03.160	8	1A0156135	03.120	29	2A000376	03.230	30
1A0066690V	03.160	8	1A015819	03.190	29	2A000378	03.230	15
1A006716	03.090	9	1A016330	03.120	5	2A000384	03.230	39
1A006861	03.120	18	1A016500	03.300	1	2A000385	03.230	38
1A0068960B	03.160	4	1A016645	03.030	22	2A000418	03.230	4
1A0068960G	03.160	4	1A016739	03.190	39	2A000467	03.170	41
1A0068960R	03.160	4	1A016844	03.120	2	2A000527	03.120	26
1A007917E1	03.160	2	1A017002	03.270	1	2A000529	03.230	7
1A007917E2	03.160	2	1A0170355	03.120	9	2A000565	03.090	1
1A007917E3	03.160	2	1A017175E1	03.160	5	2A000579	03.120	19
1A007917E4	03.160	2	1A017175E2	03.160	5	2A000591	03.170	2
1A007917E5	03.160	2	1A017175E3	03.160	5	2A000631	03.230	34
1A008014	03.160	1	1A017175E4	03.160	5	2A000633	03.190	5
1A008090	03.060	11	1A017175E5	03.160	5	2A000638	03.230	5
1A008102	03.030	17	1A017488	03.120	12	2A000741	03.230	2
1A008103	03.030	18	1A017540	03.120	21	2A000812	03.230	19
1A008104	03.030	19	1A017659	03.060	5	2A000813	03.230	22
1A008256	03.030	16	1A017660	03.060	2	2A000816	03.230	23
1A008291	03.190	24	1A0177125	03.010	1	2A000817	03.230	25
1A008325	03.190	23	1A0177255	03.100	4	2A000818	03.230	20
1A008533	03.190	21	1A017801	03.320	2	2A000823	03.170	46
1A008566	03.190	32	1A0178665	03.150	13	2A000823	03.350	22
1A008933	03.150	7	1A0178675	03.150	1	2A000832	03.170	28

Code	No. table	Pos.	Code	No. table	Pos.	Code	No. table	Pos.
2A000838	03.230	35	2B004302	05.010	17	2B005287	06.050	9
2A000901	03.230	41	2B004305	05.010	12	2B005291	01.050	12
2A000938	03.170	22	2B004338	03.340	2	2B005292000YE9	02.160	1
2A000947	03.180	24	2B004396R	05.020	16	2B005292000YR8	02.160	1
2A000948	03.180	25	2B004403	04.040	5	2B005327	02.030	3
2A000968	03.230	1	2B004406	04.040	9	2B005327000DQ	02.030	3
2A000969	03.230	6	2B004407	04.040	10	2B005327000NV	02.030	3
2A000981	03.170	44	2B004410	04.040	14	2B005327000Q4	02.030	3
2A000988	03.180	18	2B004411	04.040	15	2B005327000XN2	02.030	3
2A000989	03.180	20	2B004412	04.040	16	2B005327000YR6	02.030	3
2A000991	03.170	13	2B004413	04.040	18	2B005327000YV2	02.030	3
2A000998	03.180	26	2B004414	04.040	17	2B005328	02.030	2
2A001002	03.180	5	2B004420	04.040	11	2B005331	06.020	2
2A001004	03.230	10	2B004422	04.040	13	2B005332	06.020	1
2A001006	03.170	18	2B004442	05.020	19	2B005352	02.140	1
2A001008	03.230	16	2B004460	03.050	4	2B005353	02.140	2
2A001011	03.180	17	2B004560	03.020	19	2B005354	02.140	6
2A001013	03.170	25	2B004560	03.230	9	2B005373	06.050	15
2A001013	03.180	27	2B004560	06.050	2	2B005374	06.050	14
2A001018	03.170	24	2B004591	04.080	1	2B005375	06.050	17
2A001022	03.170	12	2B004647	07.010	1	2B005376	06.050	16
2A001025	03.170	26	2B004655	02.030	13	2B005379	06.030	32
2A001035R	03.230	28	2B004656	02.030	16	2B005413	01.040	16
2A001047	03.170	13	2B004657	02.030	15	2B005414	01.040	15
2A001050	03.170	50	2B004670	03.020	1	2B005442	02.130	4
2A001054	03.230	24	2B004675	01.010	6	2B005443	02.130	1
2A0011325	03.170	8	2B004693	05.020	1	2B005445	03.196	2
2A001139	03.170	17	2B004702	01.050	3	2B005451	02.150	2
2B000215	07.010	14	2B004704	03.020	15	2B005452	08.020	12
2B000219	09.010	13	2B004720	07.030	1	2B005453	02.050	7
2B000276	06.050	20	2B004721	07.030	5	2B005454	08.020	11
2B000404	03.350	2	2B004748	04.040	2	2B005455	08.020	2
2B000487	08.010	20	2B004749	04.040	1	2B005457000YE9	08.010	2
2B000508	06.030	24	2B004770	06.040	2	2B005457000YR8	08.010	2
2B000525	06.040	1	2B004771	03.330	20	2B005462	02.090	10
2B000652	01.030	25	2B004778	05.010	5	2B005463	02.090	5
2B001138	03.170	53	2B004798	07.020	1	2B005464	02.090	3
2B001230	01.010	19	2B004821	03.020	12	2B005467	02.090	11
2B001278	05.020	6	2B004845	06.030	9	2B005486	02.090	7
2B001311	03.350	3	2B004944	07.010	10	2B005510	02.050	9
2B001612	01.040	22	2B004959	03.050	5	2B005511	02.050	10
2B001956	05.020	18	2B004963	07.020	25	2B005513	01.010	25
2B002130	06.030	30	2B004963	08.010	28	2B005528	01.040	2
2B002171	03.350	25	2B004991	09.020	5	2B005529	01.040	1
2B002187	02.050	6	2B005012	03.350	1	2B005530	02.030	4
2B002200	03.350	13	2B005033000YE9	01.010	1	2B005537	03.330	18
2B002225	01.020	14	2B005033000YR8	01.010	1	2B005579	02.170	1
2B002416	05.010	4	2B005039	01.010	14	2B005589	06.030	18
2B002416	05.020	17	2B005075	09.010	10	2B005590	11.020	18
2B002418	03.060	17	2B005089	01.050	2	2B005607	01.030	22
2B002488	07.020	22	2B005099000C2	02.120	1	2B005623	01.010	24
2B002535	03.350	27	2B005099000C3	02.120	1	2B005624	06.030	23
2B002536	03.350	17	2B005099000C4	02.120	1	2B005627	01.030	19
2B002571	02.030	12	2B0051099	03.020	17	2B005628	01.020	15
2B002699	03.340	1	2B005119	09.010	8	2B005631	01.020	16
2B002807	03.350	21	2B005142	09.020	9	2B005634	06.030	1
2B002937	01.040	9	2B005143	01.020	2	2B005641000C2	02.120	5
2B003052	03.090	6	2B005143	06.050	7	2B005641000C3	02.120	5
2B003105	03.196	4	2B005157	03.320	9	2B005641000C4	02.120	5
2B003212	01.050	4	2B005158	03.320	8	2B005651	02.170	17
2B003422	01.040	14	2B005159	03.320	6	2B005680	02.170	14
2B003422	01.050	5	2B005175	03.330	15	2B005681	02.170	4
2B004088	01.030	29	2B005181	02.100	1	2B005683	07.020	5
2B004088	02.130	7	2B005182	02.100	5	2B005685	06.030	25
2B004163	07.020	6	2B005184	02.170	19	2B005686	01.010	23
2B004276	02.170	20	2B005243	09.020	8	2B005694	02.150	1
2B004280	09.020	12	2B005257	07.020	19	2B005699	01.040	12

Code	No. table	Pos.	Code	No. table	Pos.	Code	No. table	Pos.
2B005736	06.020	3	2B007320	05.020	22	2G000684	02.190	15
2B005763	01.040	11	2B007321	05.020	9	2G000685	02.190	16
2B005779	02.160	2	2B007323	05.020	20	2G000744	02.190	14
2B005804	01.010	26	2B007324	05.020	11	2G000745	02.190	15
2B005808	01.040	4	2B007325	05.020	10	2G000746	02.190	16
2B005809	01.040	5	2B007328	11.030	5	2G000894	02.190	14
2B005819	02.050	5	2B007331	05.010	16	2G000895	02.190	15
2B005841	09.010	1	2B007332	05.010	15	2G000896	02.190	16
2B005846	02.130	5	2B007333	05.010	14	2H001260	02.190	2
2B005849	01.010	28	2B007335	05.010	10	2H003127	02.190	3
2B005851	07.030	2	2B007388	01.030	1	2H003128	02.190	4
2B005856	01.050	8	2B007390	09.020	13	2H003185	02.190	5
2B005927	07.020	18	2B007391	01.010	31	2H00319000DQ	02.030	2
2B005945	02.030	7	2B007401	07.030	10	2H00319000NV	02.030	2
2B005952	08.010	25	2B007402	07.030	11	2H003191000NV	02.100	1
2B005953	08.010	26	2B007509	01.010	4	2H003191000XV6	02.100	1
2B005999	01.020	8	2B007532	03.330	6	2H003192000NV	02.100	5
2B006032	08.030	19	2B007535	03.330	16	2H003192000XV6	02.100	5
2B006062	02.090	1	2B007560	01.030	3	2H003235000DQ	02.030	1
2B006063	02.090	2	2B007620	01.030	9	2H003235000NV	02.030	1
2B006064	03.350	26	2B007640	03.330	2	2H003235000Q4	02.030	1
2B006066	05.020	19	2B007641	03.330	3	2H004121	02.190	2
2B006067	05.010	17	2B007737	01.010	7	2H004264000NV	02.090	1
2B006082	02.050	1	2B007810	07.030	12	2H004265000NV	02.090	2
2B006083	03.090	5	2B007821	03.330	10	2H004268000NV	02.030	1
2B006084	03.090	4	2B007846	05.010	11	2H004268000Q4	02.030	1
2B006088R	03.350	14	2B007846	05.020	12	2H004268000YR6	02.030	1
2B006091	01.040	13	2B007930	09.020	14	2H004268000YV2	02.030	1
2B006100	04.040	3	2B007936	02.030	9	2H004269000NV	02.030	2
2B006101	04.040	7	2B007979	03.050	12	2H004269000Q4	02.030	2
2B006102	04.040	6	2B008574	03.330	17	2H004269000YR6	02.030	2
2B006103	04.040	8	2B008769	03.330	1	2H004269000YV2	02.030	2
2B006104	04.040	12	2B010295	07.020	6	2H004270	02.190	6
2B006105	04.040	4	2B0105001	03.350	8	2H004271	02.190	7
2B006107	08.010	32	2B010842	07.020	27	2H004275000Z1	02.090	1
2B0061105	03.350	20	2D000163	07.020	15	2H004275000Z3	02.090	1
2B006111	06.010	1	2D000325	06.030	10	2H004276000Z1	02.090	2
2B0061249	03.196	9	2D000339	07.020	20	2H004276000Z3	02.090	2
2B006168	01.040	10	2D000415	08.010	1	2H004279000Z2	02.100	1
2B006171	01.030	20	2D000418	08.030	14	2H004279000Z4	02.100	1
2B006185	03.050	20	2D000451	09.010	5	2H004280000Z2	02.100	5
2B006203	03.196	8	2D000454	11.010	8	2H004280000Z4	02.100	5
2B006204	03.196	7	2D000493	11.030	6	2H004281000Q4	01.040	12
2B006205	03.196	10	2D000494	11.020	6	2H004282000Q4	01.040	11
2B006207	07.020	8	2D000496	02.170	10	2H004289	02.190	8
2B006208	07.020	17	2D000497	07.030	8	2H004290	02.190	9
2B006226	01.020	19	2D000504	07.020	21	2H004291	02.190	10
2B006256	08.010	31	2D000524	11.010	14	2H004292	02.190	11
2B006272	02.180	2	2D000525	08.010	13	2H004293	02.190	12
2B006279	02.050	1	2D000525	08.030	3	2H004294	02.190	13
2B006306	07.030	7	2D000526	08.010	14	2H004377000G12	02.090	1
2B006307	07.030	6	2D000526	08.030	1	2H004378000G12	02.090	2
2B006308	07.030	3	2D000528	07.020	16	2H004382000YV2	02.100	1
2B006398	01.010	2	2D000530	01.030	5	2H004383000YV2	02.100	5
2B006398	06.020	6	2D000619	08.020	13	2H004384	02.190	3
2B006401	03.330	14	2D000629	11.010	1	2H004385	02.190	4
2B006410	02.030	8	2D000629	11.020	1	2H004386	02.190	5
2B006501	07.010	13	2D000629	11.030	15	2H004820000XN2	02.090	1
2B0065021	01.050	1	2D000654	07.020	14	2H004821000XN2	02.090	2
2B006595	02.050	8	2D000674	07.020	16	2H004824000XN2	02.030	1
2B006753	05.010	17	2D000701	06.050	8	2H004825000XN2	02.030	2
2B006754	05.020	19	2D000745	07.020	26	2H004829	02.190	20
2B0068275	03.340	3	2G000480	02.190	1	2H004830	02.190	21
2B006860R	03.350	28	2G000653	02.190	14	2H004831	02.190	23
2B007243	03.350	29	2G000654	02.190	15	2H004832	02.190	24
2B007257	03.350	10	2G000655	02.190	16	2H004833	02.190	22
2B007319	05.020	13	2G000683	02.190	14	2H004834	02.190	25

Code	No. table	Pos.	Code	No. table	Pos.	Code	No. table	Pos.
2H004835	02.190	26	85256R	08.030	11	974162	03.180	12
2H004836	02.190	27	854827	07.020	4	974165	03.180	15
2H004837	02.190	28	856050	06.010	5	974165	03.230	21
2H005001000XV6	02.090	1	856050	07.030	4	976168	03.030	9
2H005002000XV6	02.090	2	856063	09.020	16	976168	03.190	26
2H005005	02.190	6	856180	02.170	11	976591	03.090	8
2H005006	02.190	7	856855	07.020	9	97729R	03.290	3
2H005199000XN2	02.100	1	857045	03.320	3	978301	01.010	17
2H005200000XN2	02.100	5	857046	03.320	11	978415	02.170	13
2H005201	02.190	12	857047	03.320	4	978466	06.050	1
2H005202	02.190	13	857181	03.320	7	978498	05.010	3
2H005368000Z5	02.090	1	857250	03.170	23	978516	05.010	9
2H005369000Z5	02.090	2	857494	03.170	54	AP8101586	09.020	11
2H005372000Z5	02.100	1	858423	06.010	4	AP8101594	06.030	31
2H005373000Z5	02.100	5	858941	01.030	6	AP8102349	03.196	1
2H005374000Q4	01.040	12	859777	05.010	23	AP8102375	01.040	8
2H005375000Q4	01.040	11	859777	05.020	26	AP8102375	02.090	9
2H005376	02.190	8	859792	05.010	20	AP8102375	02.130	8
2H005377	02.190	9	859792	05.020	23	AP8102375	02.140	4
2Q000523	02.180	1	859946	06.030	6	AP8102375	08.020	8
2R000248	06.040	7	859949	07.020	12	AP8102375	09.020	6
2S001281	01.040	21	860651	08.010	9	AP8102378	09.010	11
2S001282	01.040	20	860898	01.050	6	AP8102381	08.030	9
2S001289	01.040	24	860900	01.050	11	AP8102401	03.060	10
2S001393	08.010	16	871640	03.100	12	AP8102520	03.050	3
2S001394	08.010	15	872230	03.060	13	AP8102520	09.020	19
479175	08.010	23	872264	03.060	12	AP8102524	01.030	14
484993	03.030	20	873928	03.170	16	AP8102600	01.010	30
484993	03.150	11	873928	03.180	2	AP8102600	01.050	10
485693	03.030	7	873928	03.230	12	AP8102600	03.340	4
485693	03.190	27	873931	03.180	29	AP8102671	01.040	18
575268	02.030	14	874557	03.030	4	AP8102738	09.020	10
576546	09.010	7	876879	03.330	19	AP8102764	09.020	17
581957	05.010	22	878872	03.120	1	AP8102786	03.320	5
581957	05.020	25	878872	03.120	4	AP8104329	03.050	11
584332	08.010	29	883688	05.010	6	AP8104728	05.010	24
584332	08.030	15	884043	03.330	4	AP8104728	05.020	27
622236	03.050	13	886184	01.020	1	AP8110077	07.010	4
638733	11.030	7	886185	01.020	12	AP8110109	05.020	8
639338	08.010	30	886820	02.170	16	AP8110110	01.020	11
639338	08.030	16	886861	03.050	14	AP8112811	11.030	11
640698	11.010	12	886867	03.050	10	AP8113004	06.050	10
641652	06.050	19	887003	03.270	5	AP8113081	06.030	15
641901	11.010	4	887015	03.060	16	AP8113082	06.030	16
642248	11.020	4	887282	03.050	7	AP8113288	06.030	34
654174	07.030	9	887282	03.060	14	AP8114502	03.196	6
656003	09.010	6	887448	05.020	15	AP8117003	01.040	19
656429000C	01.020	18	887831	07.010	7	AP8117200	11.030	19
656509000C	01.020	17	887832	07.010	9	AP8120001	01.040	7
658837	01.010	8	890760	11.020	16	AP8120030	02.030	11
658837	03.060	18	894603	11.030	8	AP8120030	03.050	16
658837	03.170	4	894704	05.010	25	AP8120030	06.050	4
658837	11.010	10	894704	05.020	29	AP8120178	06.030	17
825597	03.100	2	895328	03.020	2	AP8120223	08.010	21
825597	03.150	8	895328	06.030	19	AP8120615	03.050	1
825694	03.120	23	895481	11.020	9	AP8120822	06.030	11
825725	03.300	4	896174	08.020	10	AP8120831	01.020	4
830061	03.060	9	896346	06.010	2	AP8120912	03.020	10
831135	03.030	11	896715	11.020	10	AP8120912	06.030	2
834764	03.170	19	898287	08.010	19	AP8120952	09.010	12
843213	01.030	15	898397	03.020	16	AP8121032	07.020	11
849308	03.180	6	899105	02.170	5	AP8121080	07.020	23
849309	03.180	19	899106	02.170	7	AP8121133	01.020	10
849310	03.180	21	899107	02.170	6	AP8121155	04.080	5
849396	03.180	14	899543	02.170	18	AP8121205	07.010	12
849424	03.180	8	967363	03.020	5	AP8121221	03.020	9
852090	03.330	11	967363	06.030	12	AP8121221	06.030	3

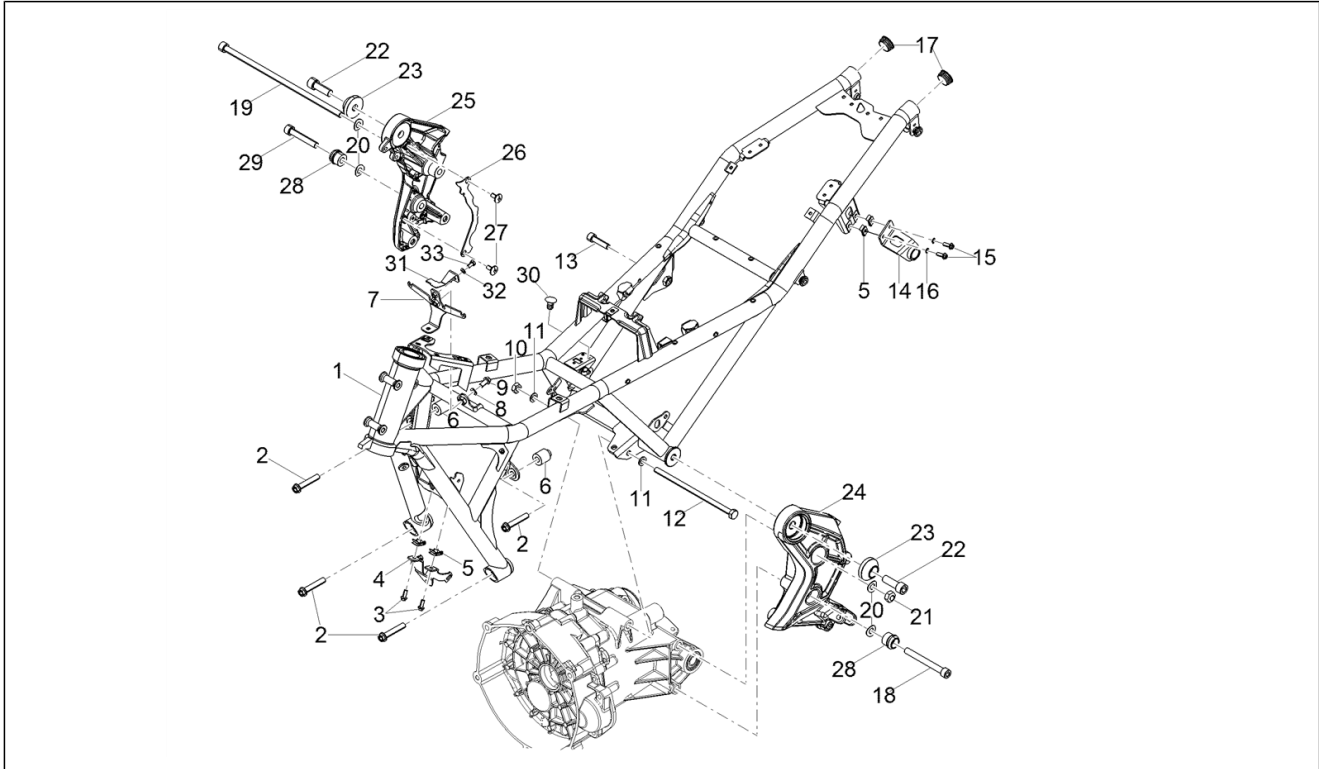
Code	No. table	Pos.	Code	No. table	Pos.	Code	No. table	Pos.
AP8121332	03.330	22	AP8150378	01.020	21	AP8152302	02.100	2
AP8121420	02.170	12	AP8150378	02.050	13	AP8152302	02.130	2
AP8121421	09.010	3	AP8150378	03.330	5	AP8152302	02.140	3
AP8121504	06.030	29	AP8150378	08.010	11	AP8152302	09.020	1
AP8121509	03.020	6	AP8150382	11.030	2	AP8152302	11.020	11
AP8121509	06.030	20	AP8150412	01.010	12	AP8152306	01.030	18
AP8121520	07.020	13	AP8150413	02.030	5	AP8152306	02.160	5
AP8121567	01.020	7	AP8150413	02.150	4	AP8152306	06.050	13
AP8121615	04.080	3	AP8150421	02.090	4	AP8152306	08.030	18
AP8121790	08.010	18	AP8150430	11.010	5	AP8152306	11.020	5
AP8121882	06.050	18	AP8150453	02.170	2	AP8152329	02.150	3
AP8121927	06.030	7	AP8150454	02.170	3	AP8152329	03.050	9
AP8123641	07.010	3	AP8150462	03.020	7	AP8152329	06.050	6
AP8123642	07.010	6	AP8150462	06.030	5	AP8152329	09.020	7
AP8123643	07.010	8	AP8150491	05.010	19	AP8152384	07.010	11
AP8123644	07.010	5	AP8150491	05.020	28	AP8152400	01.030	24
AP8123721	07.020	2	AP8150500	01.010	27	AP8152409	01.020	5
AP8124718	08.030	8	AP8150500	01.040	6	AP8152411	04.080	4
AP8124936	11.010	3	AP8150500	02.090	6	AP8152486	07.020	7
AP8125687	05.020	2	AP8150500	02.130	6	AP8161054	03.050	2
AP8125763	05.020	3	AP8150500	02.160	3	AP8163165	08.010	7
AP8125773	05.010	7	AP8150500	03.196	5	AP8201727	01.030	16
AP8125777	05.010	8	AP8150500	05.020	21	AP8201727	03.050	19
AP8125842	05.010	18	AP8150500	06.030	8	AP8201727	11.030	14
AP8127461	02.090	8	AP8150500	08.020	9	AP8201755	02.100	4
AP8133799	06.040	6	AP8150501	08.030	13	AP8201755	02.130	3
AP8134276	01.020	3	AP8150501	08.030	7	AP8213057	06.030	35
AP8134378	03.330	21	AP8150509	08.020	3	AP8220150	08.020	5
AP8134451	01.020	9	AP8150509	08.030	4	AP8220150	11.030	3
AP8144007	03.020	3	AP8150509	11.030	1	AP8220162	02.100	3
AP8144007	06.030	14	AP8150512	08.020	1	AP8220283	11.020	8
AP8144081	07.020	24	AP8150522	08.030	12	AP8221023	03.050	17
AP8144158	09.010	15	AP8152001	01.030	11	AP8221023	06.050	5
AP8144222	07.020	3	AP8152058	01.040	29	AP8221128	02.030	10
AP8144328	09.010	2	AP8152108	06.030	28	AP8221204	01.030	13
AP8144558	03.330	23	AP8152128	06.030	27	AP8221211	01.030	12
AP8144563	08.020	7	AP8152137	02.050	2	AP8221228	08.010	3
AP8144563	11.020	13	AP8152181	02.050	14	AP8221277	01.020	6
AP8144616	08.020	6	AP8152181	06.030	33	AP8224164	08.030	17
AP8144616	11.020	12	AP8152267	03.090	12	AP8224462	11.020	7
AP8149034	02.150	6	AP8152270	01.030	8	AP8224470	03.020	8
AP8150015	06.050	3	AP8152273	06.050	12	AP8224470	06.030	4
AP8150018	03.020	4	AP8152277	01.010	33	AP8257794	02.190	18
AP8150018	06.030	13	AP8152277	03.170	51	AP9100053	08.010	5
AP8150045	03.050	8	AP8152278	01.010	15	AP9100668	01.030	21
AP8150045	03.060	15	AP8152278	01.010	3	B005629	11.020	14
AP8150045	07.020	10	AP8152278	01.020	20	B013037	03.230	29
AP8150048	01.010	13	AP8152278	08.010	4	B013552	03.120	16
AP8150048	04.080	2	AP8152278	09.020	2	B013608	03.170	15
AP8150049	01.010	29	AP8152279	01.030	17	B013608	03.180	3
AP8150114	02.120	3	AP8152280	11.010	2	B013608	03.230	13
AP8150171	02.170	9	AP8152281	09.010	4	B015040	03.180	11
AP8150179	08.010	22	AP8152281	11.010	11	B015563	03.300	3
AP8150182	06.030	26	AP8152285	01.010	9	B015598	03.190	38
AP8150182	08.010	17	AP8152285	01.040	26	B018242	09.020	3
AP8150204	08.030	6	AP8152285	11.010	9	B043046	01.030	2
AP8150210	01.010	20	AP8152287	01.030	23	B045974	02.190	17
AP8150236	07.010	2	AP8152288	06.040	3	B063956	03.170	38
AP8150248	01.030	7	AP8152291	03.330	12	B063977	03.230	26
AP8150248	11.020	3	AP8152298	02.150	7	B064023	02.120	2
AP8150255	08.020	4	AP8152299	02.030	6	B064079	03.170	11
AP8150285	04.040	19	AP8152299	08.030	5	B064105	06.010	3
AP8150287	01.010	18	AP8152300	01.030	28	B064112	03.170	34
AP8150292	01.030	10	AP8152300	03.330	24	B064113	03.170	33
AP8150351	02.170	8	AP8152301	04.080	6	B064290	05.020	4
AP8150362	03.050	6	AP8152302	01.040	17	B064304	03.350	15
AP8150376	01.040	27	AP8152302	01.050	9	CM002912	03.196	11

Code	No. table	Pos.
CM002912	03.320	10
CM179008	09.020	15
CM180702	01.040	3
CM225607	11.030	10
CM225615	11.030	9
CM225720	11.030	13
CM225730	11.030	12
CM226902	03.196	3
CM258302	03.060	3
CM277103	11.010	6
CM301815	11.030	4
GU01528930	03.170	45
GU01528930	03.350	23
GU01528930	03.350	6
GU01609630	08.010	27
GU01612190	05.010	1
GU01659130	06.020	4
GU01659131	06.020	5
GU03013800	01.010	32
GU03013800	03.060	6
GU03256800	03.020	14
GU04355100	03.350	19
GU04355101	03.350	19
GU04355102	03.350	19
GU04355103	03.350	19
GU04355104	03.350	19
GU04355105	03.350	19
GU04355106	03.350	19
GU05124230	01.030	27
GU05217630	03.230	17
GU05234230	03.170	32
GU05235531	03.170	21
GU05238231	03.170	37
GU05238431	03.170	35
GU05239330	03.170	39
GU05781630	04.040	20
GU10034100	03.120	28
GU10528900	03.170	7
GU10528900	03.190	9
GU12022600	03.170	9
GU12154200	03.190	2
GU12351100	03.350	12
GU14085900	03.230	18
GU14086100	03.230	32
GU14217901	01.010	16
GU14217901	03.230	8
GU14609650	11.030	18
GU14615901	03.350	24
GU14615901	08.010	8
GU14616150	05.010	13
GU14616150	05.020	14
GU18144350	03.190	14
GU19002020	03.030	8
GU19002020	03.170	5
GU19002020	03.270	4
GU19003800	03.030	6
GU19003800	03.190	6
GU19015020	03.030	12
GU19018920	03.030	10
GU19018920	03.190	25
GU19021360	03.150	9
GU19058021	03.120	7
GU19067700	03.230	3
GU19351100	03.350	16
GU19547000	01.050	7
GU27066460	03.160	3
GU27152885	03.190	1

Code	No. table	Pos.
GU30944300	02.190	19
GU31003766	03.170	6
GU31003766	03.190	10
GU31003766	03.350	5
GU31159050	03.190	13
GU31544181	06.040	4
GU31659281	06.040	5
GU32441210	01.020	13
GU32474710	08.030	10
GU32577910	02.050	4
GU32578410	02.050	3
GU37359005	03.350	9
GU90271014	03.170	40
GU90271022	03.170	20
GU90272047	05.020	7
GU90274008	01.030	26
GU90353009	03.100	13
GU90353014	03.170	31
GU90401424	03.170	42
GU90413850	03.350	11
GU90706170	03.230	31
GU90706188	03.350	4
GU90706203	03.170	10
GU90706444	03.190	4
GU90706584	03.350	30
GU90706958	03.350	18
GU92201226	03.180	28
GU92201226	03.230	11
GU92201822	03.180	1
GU92204220	05.020	5
GU92296723	03.190	19
GU92606206	06.030	22
GU92606508	03.230	36
GU92609206	03.020	13
GU92630510	01.010	10
GU92630510	01.010	21
GU92630510	01.040	25
GU92630707	03.020	18
GU93304390	09.020	18
GU94321079	03.190	15
GU94321105	03.230	33
GU95005310	01.040	28
GU95005325	05.010	2
GU95008206	03.170	52
GU95008208	01.020	22
GU95008208	03.290	2
GU95008210	01.010	11
GU95008210	01.030	4
GU95100309	03.190	36
GU95129115	03.120	11
GU95129181	01.040	23
GU95500222	03.230	37
GU98350460	08.010	6
GU98370616	02.050	11
GU98370625	02.170	15
GU98370655	08.010	12
GU98612216	03.320	1
GU98612316	08.010	24
GU98622322	03.060	7
GU98680225	11.020	2
GU98680440	03.170	3
GU98680450	03.020	11
GU98680450	06.030	21
GU98682322	03.050	18
GU98682325	03.030	23
GU98682325	03.270	2
GU98682330	03.270	3

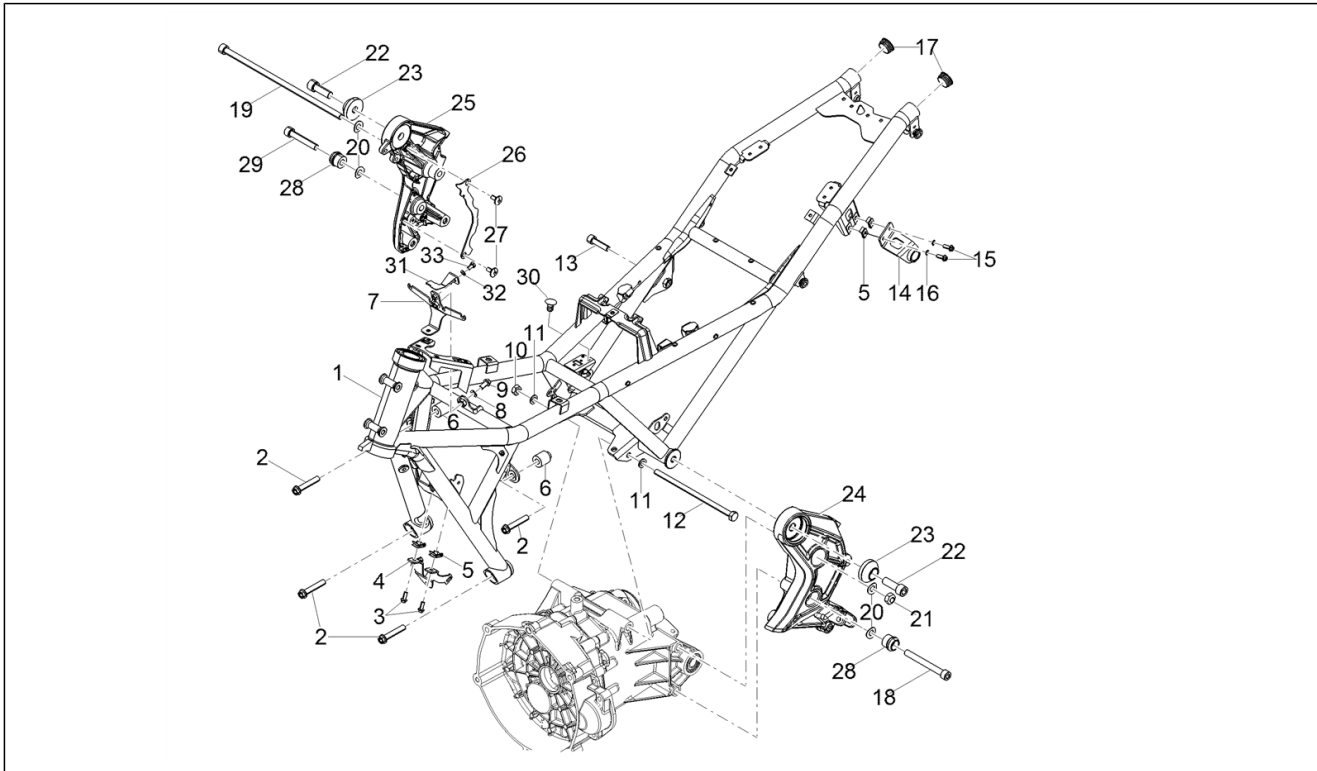
Code	No. table	Pos.
GU98682330	03.300	2
GU98682430	02.160	4
GU98682435	03.290	1
GU98682635	01.010	22
GU98692318	08.030	2
GU98692325	02.050	12
GU98692325	08.010	10
GU98882316	03.120	10

<b>Group</b>	Frame/bodywork
<b>Code</b>	01.010
<b>Description</b>	Frame/bodywork
<b>Service</b>	1



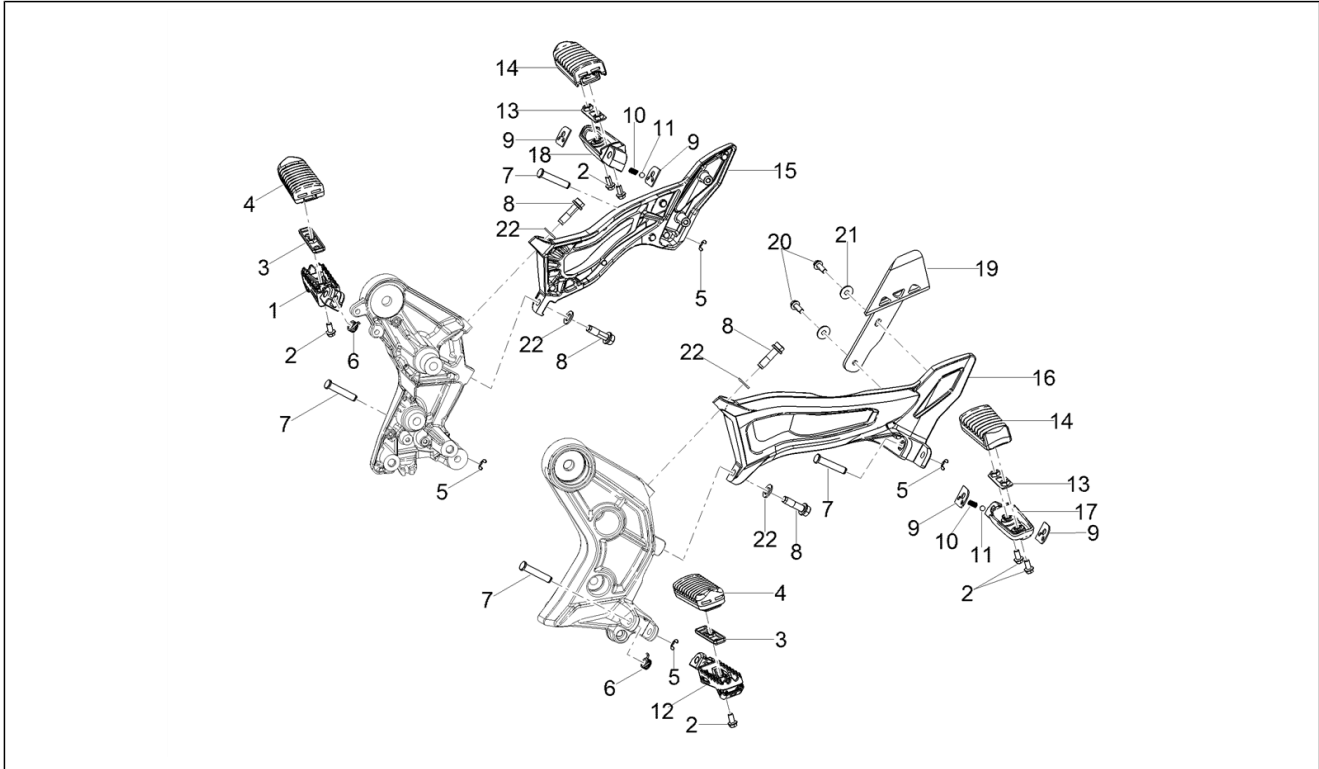
Pos.	Code	Description	Qty	Variants
1	2B005033000YR8	Frame, red	1	<b>Colour:</b> Yellow Mojave[Z1] Red Uluru[Z3] Blu Uyuni[Z5] <b>Technical Specification:</b> V85 TT Evocative[SP]
1	2B005033000YE9	Frame, black	1	<b>Colour:</b> Raptor Green[XV6] Centenary[VV2] Black Etna[NV] Guardia D'Onore[XN2] <b>Technical Specification:</b> Guardia d'Onore[GDO] V85 TT[BASE]
2	2B006398	Screw w/ flange M10X1.25X55	4	
3	AP8152278	Screw w/ flange M6x16	2	
4	2B007509	Voltage regulator support bracket	1	
5	254485	Spring plate M6	4	
6	2B004675	Bush	2	
7	2B007737	Complete coil support bracket	1	
8	658837	Crinkle washer D15 F8,4 S1,5 - INOX	1	
9	AP8152285	Flanged hexagon screw	1	
10	GU92630510	Nut M10x1,5	1	
11	GU95008210	Washer 10,2X18X2	2	
12	AP8150412	Screw	1	
13	AP8150048	Hex socket screw	1	
14	2B005039	Silencer support	1	
15	AP8152278	Screw w/ flange M6x16	2	
16	GU14217901	Washer 6,4x10x0,7	2	
17	978301	Cover	2	
18	AP8150287	Hex socket screw M10x90	2	
19	2B001230	Pin 278X10	1	
20	AP8150210	Curved spring washer *	4	
21	GU92630510	Nut M10x1,5	1	
22	GU98682635	screw	2	
23	2B005686	Bush	2	
24	2B005623	LH plate	1	

<b>Group</b>	Frame/bodywork
<b>Code</b>	01.010
<b>Description</b>	Frame/bodywork
<b>Service</b>	1



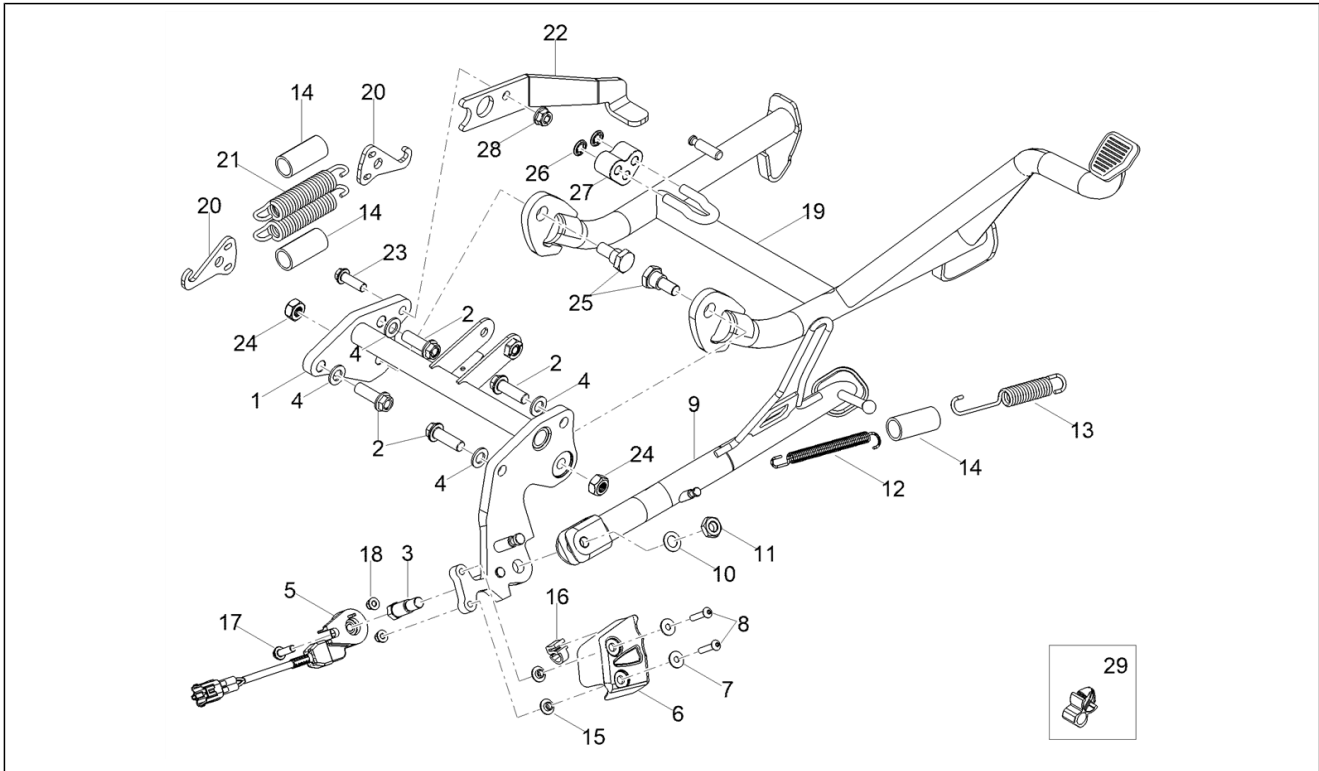
Pos.	Code	Description	Qty	Variants
25	2B005513	RH plate	1	
26	2B005804	Plug	1	
27	AP8150500	Hex socket screw M5x9 NERINOX	2	
28	2B005849	Bush	2	
29	AP8150049	screw M10x60	1	
30	AP8102600	Cover	1	
31	2B007391	Valve support clamp	1	
32	GU03013800	Washer 6,4x12	1	
33	AP8152277	Flanged hexagon screw M6x12	1	

<b>Group</b>	Frame/bodywork
<b>Code</b>	01.020
<b>Description</b>	Foot rests
<b>Service</b>	1



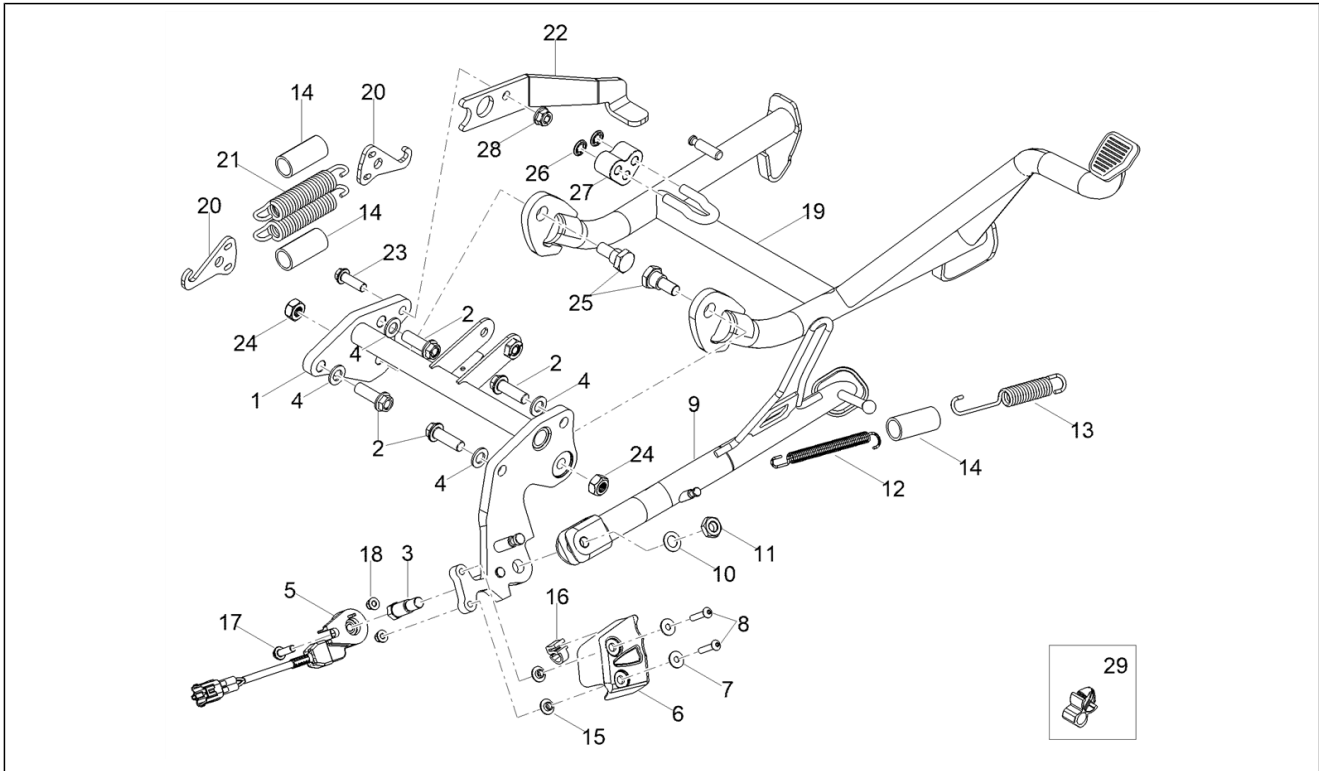
Pos.	Code	Description	Qty	Variants
1	886184	RH Foot rests	1	
2	2B005143	Screw w/ flange M6x12	2	
3	AP8134276	Plate	2	
4	AP8120831	Footrest rubber	2	
5	AP8152409	Stop ring	4	
6	AP8221277	Footrest return spring	2	
7	AP8121567	Pin	4	
8	2B005999	Pre-coated M8x30 SHC screw	4	
9	AP8134451	Footrest plate	4	
10	AP8121133	Coil compress. spring	2	
11	AP8110110	Ball d.7	2	
12	886185	LH Foot rests	1	
13	GU32441210	Plate	2	
14	2B002225	Footrest rubber	1	
15	2B005628	Right pass. footrest support	1	
16	2B005631	Left pass. footrest support	1	
17	656509000C	LH footrest	1	
18	656429000C	RH footpad	1	
19	2B006226	Heel guard	1	
20	AP8152278	Screw w/ flange M6x16	2	
21	AP8150378	Washer 6,4x18x2	2	
22	GU95008208	Washer 8,4X15X1,5	4	

<b>Group</b>	Frame/bodywork
<b>Code</b>	01.030
<b>Description</b>	Stand
<b>Service</b>	1



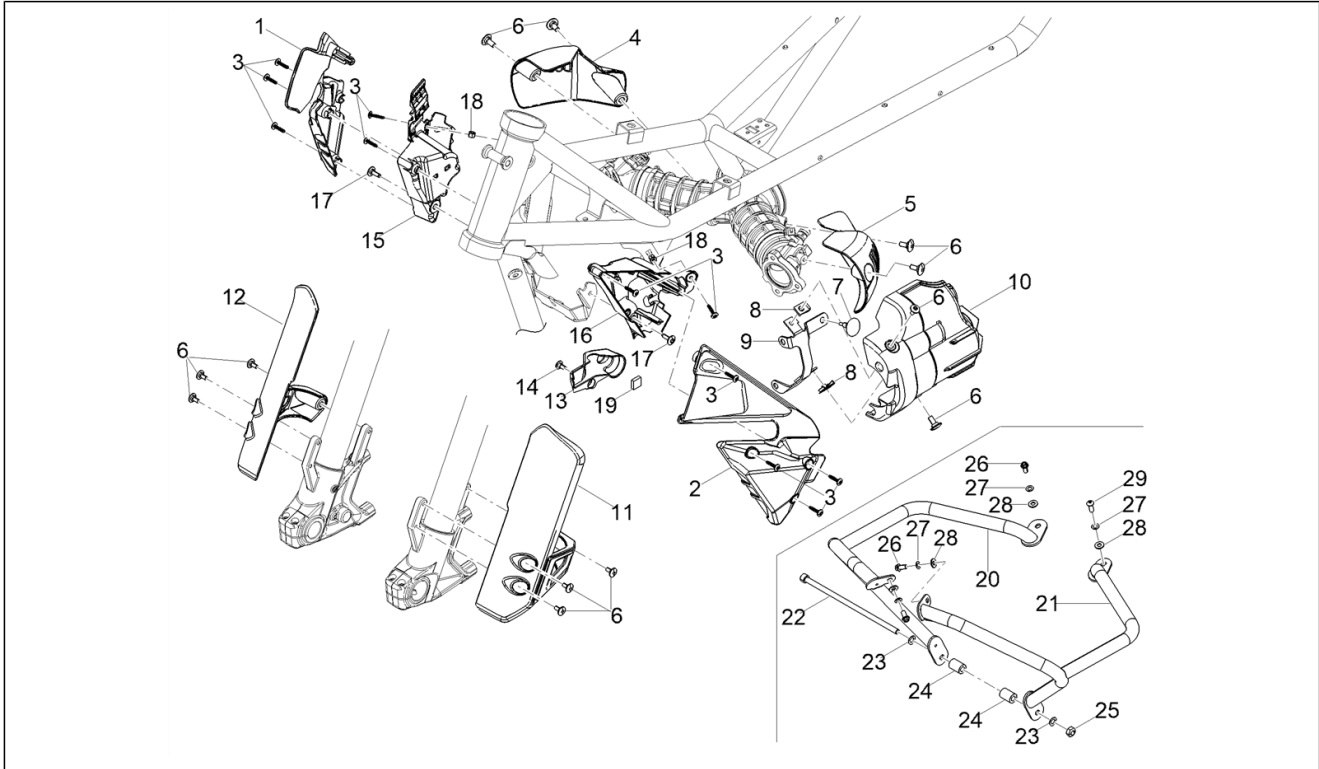
Pos.	Code	Description	Qty	Variants
1	2B007388	Stand support	1	
2	B043046	Pre-coated M10X30 SHC screw	4	
3	2B007560	Central stand fixing screw	1	
4	GU95008210	Washer 10,2X18X2	4	
5	2D000530	Rotary switch	1	
6	858941	Guard	1	
7	AP8150248	Washer 5,5x15x1,6	2	
8	AP8152270	Hex socket screw M5x25	2	
9	2B007620	Lateral stand	1	
10	AP8150292	Curved spring washer *	1	
11	AP8152001	Low nut M10x1,25	1	
12	AP8221211	Internal lateral stand spring	1	
13	AP8221204	Lateral stand spring	1	
14	AP8102524	Stand spring protection	1	
15	843213	T bush	2	
16	AP8201727	Black cable guide	1	
17	AP8152279	Screw w/ flange M6x20	1	
18	AP8152306	Self-locking nut M5	2	
19	2B005627	Central stand	1	Technical Specification:Guardia d'Onore[GDO]
20	2B006171	Spring coupling plate	2	Technical Specification:Guardia d'Onore[GDO]
21	AP9100668	Outer spring	2	Technical Specification:Guardia d'Onore[GDO]
22	2B005607	Stop plate	1	Technical Specification:Guardia d'Onore[GDO]
23	AP8152287	Screw w/ flange M8x25	1	Technical Specification:Guardia d'Onore[GDO]
24	AP8152400	Nut	2	Technical Specification:Guardia d'Onore[GDO]
25	2B000652	Central stand fixing screw	2	Technical Specification:Guardia d'Onore[GDO]
26	GU90274008	Washer for shafts D8	2	Technical Specification:Guardia d'Onore[GDO]
27	GU05124230	Rubber spacer	1	Technical Specification:Guardia d'Onore[GDO]
28	AP8152300	Self-locking nut M8	1	Technical Specification:Guardia d'Onore[GDO]

<b>Group</b>	Frame/bodywork
<b>Code</b>	01.030
<b>Description</b>	Stand
<b>Service</b>	1



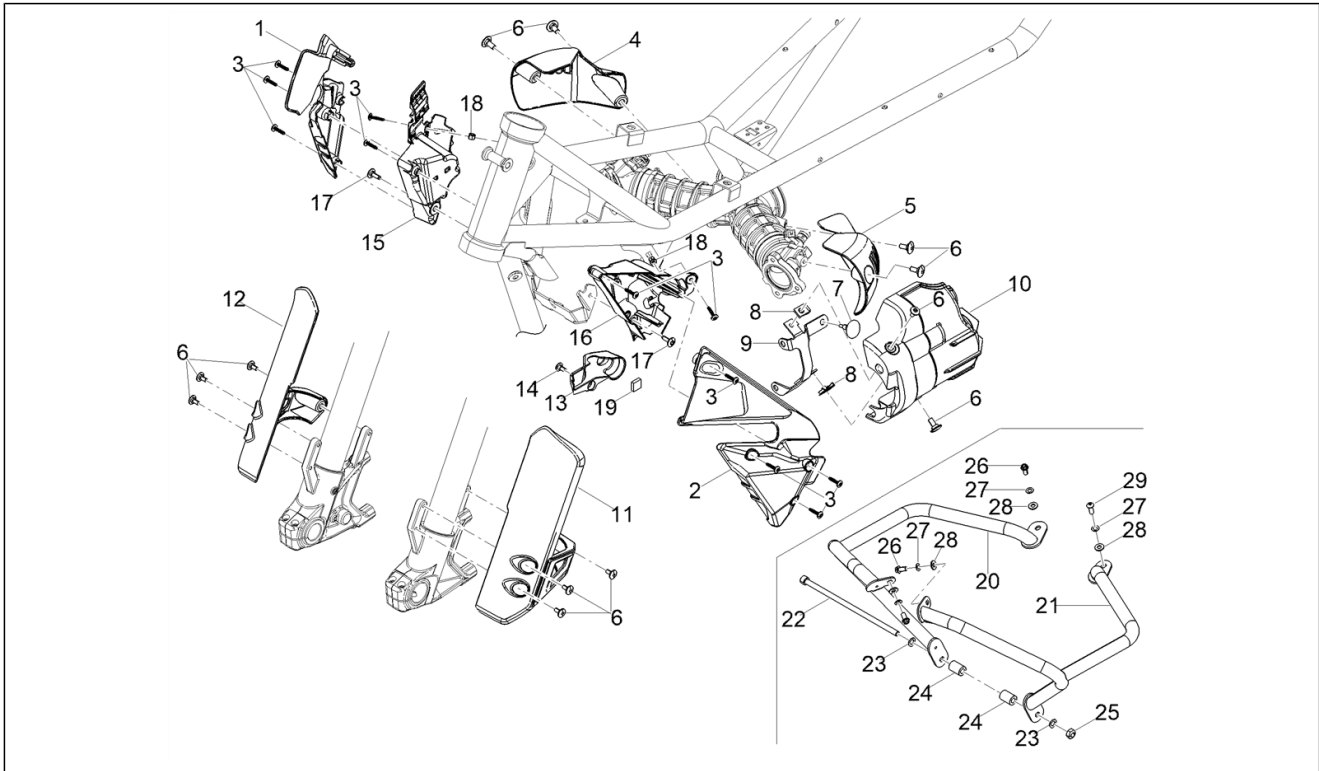
Pos.	Code	Description	Qty	Variants
29	2B004088	Fastener cable	2	

<b>Group</b>	Frame/bodywork
<b>Code</b>	01.040
<b>Description</b>	Protection
<b>Service</b>	1



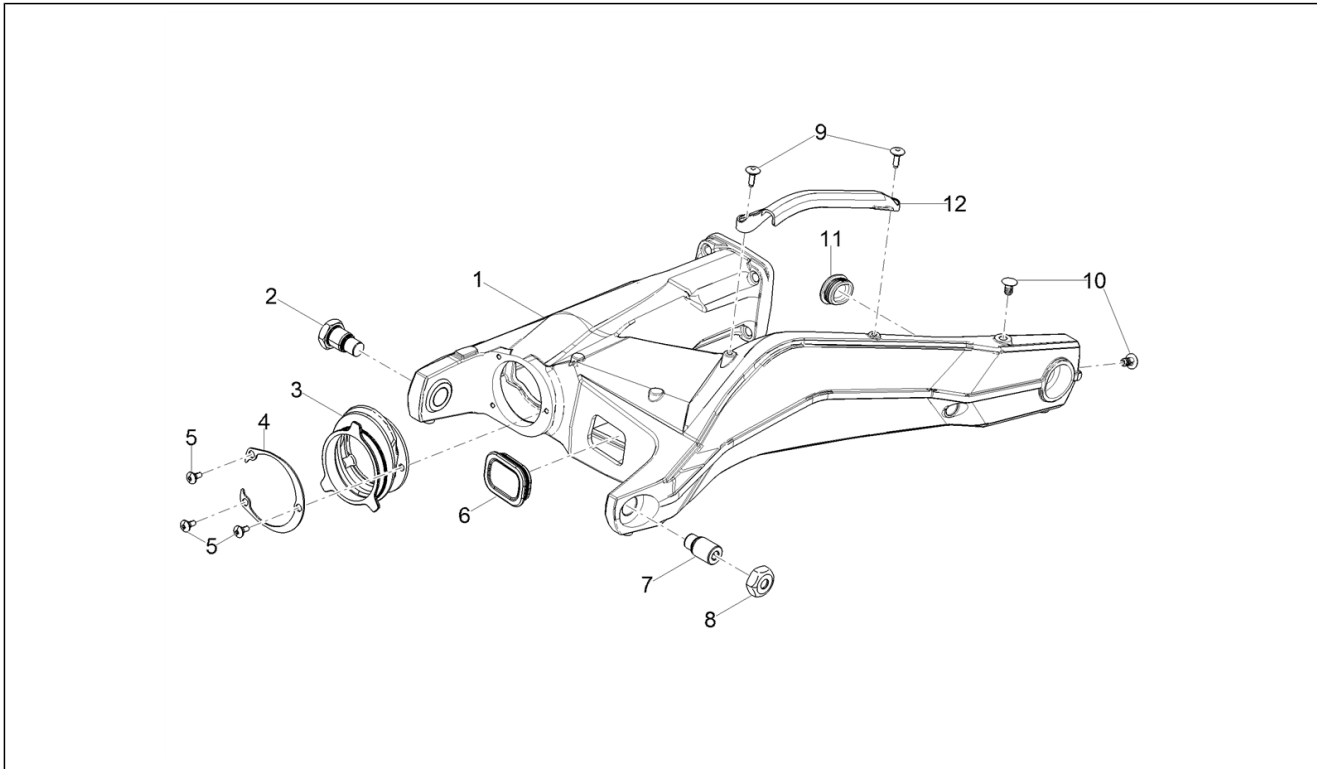
Pos.	Code	Description	Qty	Variants
1	2B005529	Right headstock cover	1	
2	2B005528	Left headstock cover	1	
3	CM180702	Self tapping screw	11	
4	2B005808	Right injector covers	1	
5	2B005809	Left injector covers	1	
6	AP8150500	Hex socket screw M5x9 NERINOX	12	
7	AP8120001	Rubber spacer	1	
8	AP8102375	Clip M5	2	
9	2B002937	Cover support bracket	1	
10	2B006168	Starter motor cover	1	
11	2H005375000Q4	SX sleeve guard	1	<b>Colour:</b> Blu Uyuni[Z5] <b>Technical Specification:</b> Decal[D]
11	2H004282000Q4	SX sleeve guard	1	<b>Colour:</b> Yellow Mojave[Z1] Red Uluru[Z3] <b>Technical Specification:</b> V85 TT Evocative[SP] Decal[D]
11	2B005763	LH sleeve protection	1	<b>Colour:</b> Raptor Green[XV6] Centenary[YV2] Blank[GR] Black Etna[NV] Guardia D'Onore[XN2] <b>Technical Specification:</b> Guardia d'Onore[GDO] No decals[ND] V85 TT[BASE]
12	2H005374000Q4	RH sleeve guard	1	<b>Colour:</b> Blu Uyuni[Z5] <b>Technical Specification:</b> Decal[D]
12	2H004281000Q4	RH sleeve guard	1	<b>Colour:</b> Yellow Mojave[Z1] Red Uluru[Z3] <b>Technical Specification:</b> V85 TT Evocative[SP] Decal[D]
12	2B005699	RH sleeve protection	1	<b>Colour:</b> Raptor Green[XV6] Centenary[YV2] Blank[GR] Black Etna[NV] Guardia D'Onore[XN2] <b>Technical Specification:</b> No decals[ND]
13	2B006091	Cable harness cover	1	
14	2B003422	M5x12 pre-coated countersunk hex head Torx screw	1	
15	2B005414	Connector box DX	1	
16	2B005413	Connector box SX	1	
17	AP8152302	Screw w/ flange M5x12	2	

<b>Group</b>	Frame/bodywork
<b>Code</b>	01.040
<b>Description</b>	Protection
<b>Service</b>	1



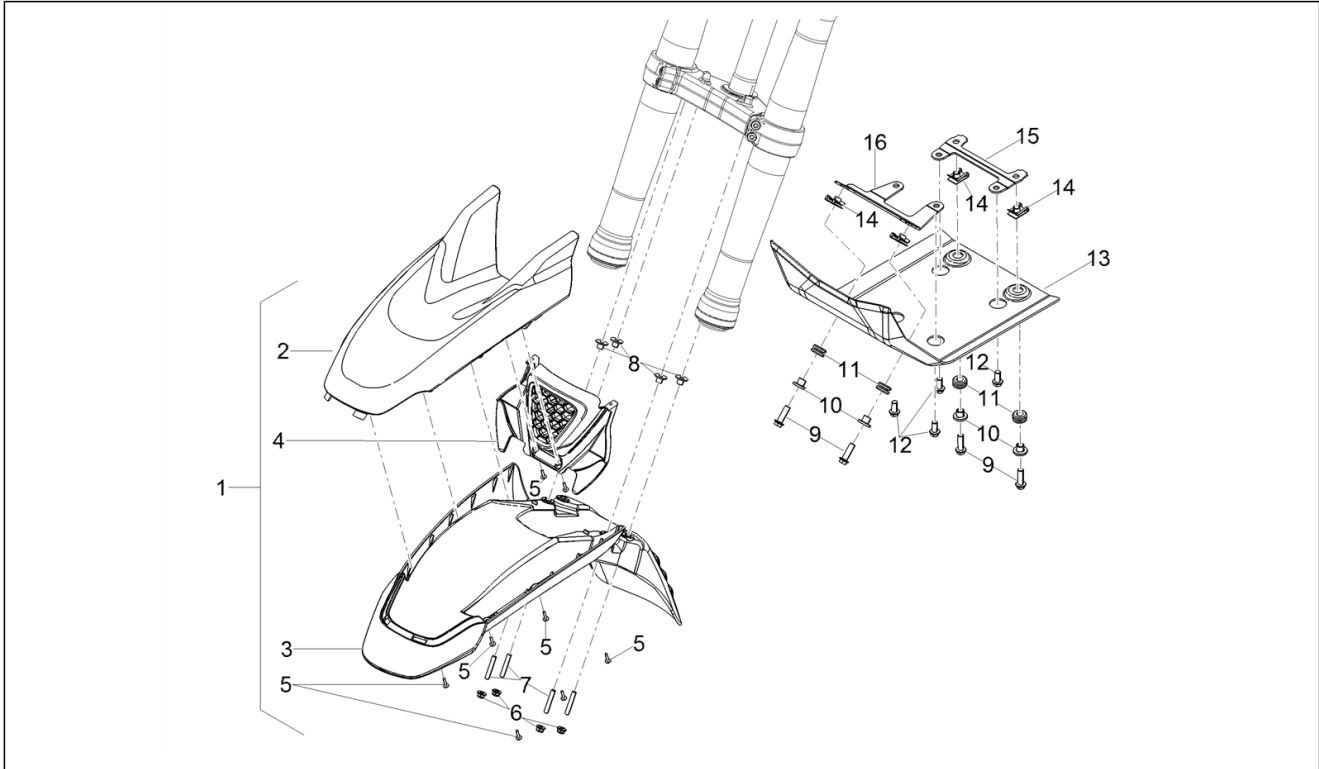
Pos.	Code	Description	Qty	Variants
18	AP8102671	Plastic rivet	2	
19	AP8117003	Adhesive sponge 15X5	1	
20	2S001282	RH bumper	1	<b>Technical Specification:</b> Guardia d'Onore[GDO]
21	2S001281	LH bumper	1	<b>Technical Specification:</b> Guardia d'Onore[GDO]
22	2B001612	Pin M10X253	1	<b>Technical Specification:</b> Guardia d'Onore[GDO]
23	GU95129181	Washer	2	<b>Technical Specification:</b> Guardia d'Onore[GDO]
24	2S001289	Bush	2	<b>Technical Specification:</b> Guardia d'Onore[GDO]
25	GU92630510	Nut M10x1,5	1	<b>Technical Specification:</b> Guardia d'Onore[GDO]
26	AP8152285	Flanged hexagon screw	3	<b>Technical Specification:</b> Guardia d'Onore[GDO]
27	AP8150376	Washer 8,5x15x0,8	4	<b>Technical Specification:</b> Guardia d'Onore[GDO]
28	GU95005310	Washer 8,4x18x2	4	<b>Technical Specification:</b> Guardia d'Onore[GDO]
29	AP8152058	Hex socket screw M8x20	1	<b>Technical Specification:</b> Guardia d'Onore[GDO]

<b>Group</b>	Frame/bodywork
<b>Code</b>	01.050
<b>Description</b>	Swing arm
<b>Service</b>	1



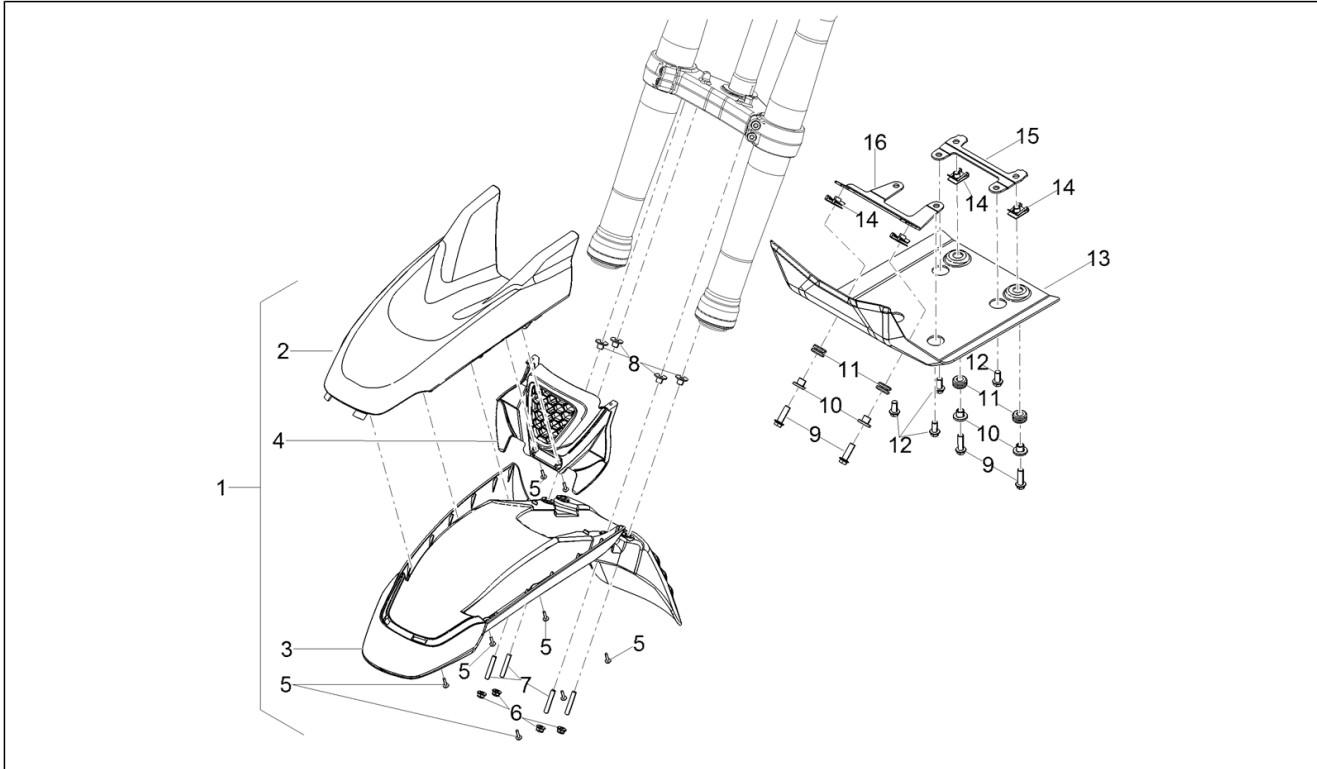
Pos.	Code	Description	Qty	Variants
1	2B0065021	Swing arm	1	
2	2B005089	Pin	1	
3	2B004702	Rubber bellows	1	
4	2B003212	Fixing plate	1	
5	2B003422	M5x12 pre-coated countersunk hex head Torx screw	3	
6	860898	Cover	1	
7	GU19547000	Adjusting pin	1	
8	2B005856	Spindle nut	1	
9	AP8152302	Screw w/ flange M5x12	2	
10	AP8102600	Cover	2	
11	860900	Cover	1	
12	2B005291	Fairlead	1	

<b>Group</b>	Body
<b>Code</b>	02.030
<b>Description</b>	Front mudguard-Pillar
<b>Service</b>	1



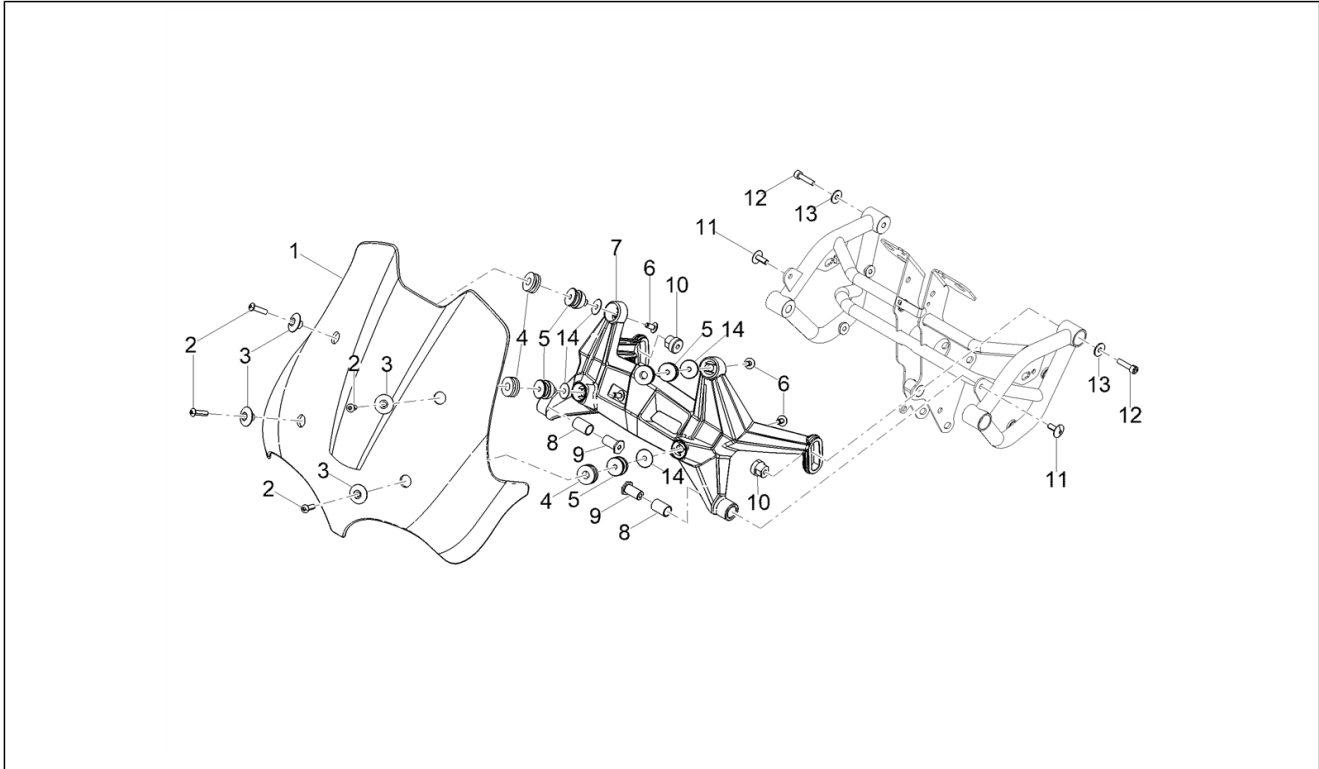
Pos.	Code	Description	Qty	Variants
1	2H003235000NV	Front mudguard, black	1	<b>Colour:</b> Raptor Green[XV6] Black Etna[NV] <b>Technical Specification:</b> Decal[D]
1	2H003235000Q4	White front mudguard	1	<b>Colour:</b> Yellow Mojave[Z1]
1	2H003235000DQ	Front mudguard, blue	1	<b>Colour:</b> Blu Uyuni[Z5] <b>Technical Specification:</b> Decal[D]
1	2H004824000XN2	Front mudguard, black	1	<b>Colour:</b> Guardia D'Onore[XN2] <b>Technical Specification:</b> Decal[D]
1	2H004268000NV	Front mudguard, black	1	<b>Colour:</b> Black Etna[NV] <b>Technical Specification:</b> V85 TT[BASE] Decal[D]
1	2H004268000Q4	Front mudguard, white	1	<b>Colour:</b> Yellow Mojave[Z1] <b>Technical Specification:</b> V85 TT Evocative[SP] Decal[D]
1	2H004268000YV2	Front mudguard, green	1	<b>Colour:</b> Centenary[YV2] <b>Technical Specification:</b> V85 TT[BASE] Decal[D]
1	2H004268000YR6	Front mudguard, red	1	<b>Colour:</b> Red Uluru[Z3] <b>Technical Specification:</b> V85 TT Evocative[SP] Decal[D]
2	2H003190000DQ	Mudguard cover	1	<b>Colour:</b> Blu Uyuni[Z5] <b>Technical Specification:</b> Decal[D]
2	2H003190000NV	Mudguard cover	1	<b>Colour:</b> Raptor Green[XV6] <b>Technical Specification:</b> Decal[D]
2	2H004825000XN2	Mudguard cover	1	<b>Colour:</b> Guardia D'Onore[XN2] <b>Technical Specification:</b> Decal[D]
2	2H004269000NV	Mudguard cover	1	<b>Colour:</b> Black Etna[NV] <b>Technical Specification:</b> V85 TT[BASE] Decal[D]
2	2H004269000YV2	Mudguard cover	1	<b>Colour:</b> Centenary[YV2] <b>Technical Specification:</b> V85 TT[BASE] Decal[D]
2	2H004269000Q4	Mudguard cover	1	<b>Colour:</b> Yellow Mojave[Z1] <b>Technical Specification:</b> V85 TT Evocative[SP] Decal[D]
2	2H004269000YR6	Mudguard cover	1	<b>Colour:</b> Red Uluru[Z3] <b>Technical Specification:</b> V85 TT Evocative[SP] Decal[D]
2	2B005328	Mudguard cover	1	<b>Colour:</b> Blank[GR] <b>Technical Specification:</b> V85 TT[BASE] V85 TT Evocative[SP]
3	2B005327000DQ	Front mudguard	1	<b>Colour:</b> Blu Uyuni[Z5]

<b>Group</b>	Body
<b>Code</b>	02.030
<b>Description</b>	Front mudguard-Pillar
<b>Service</b>	1



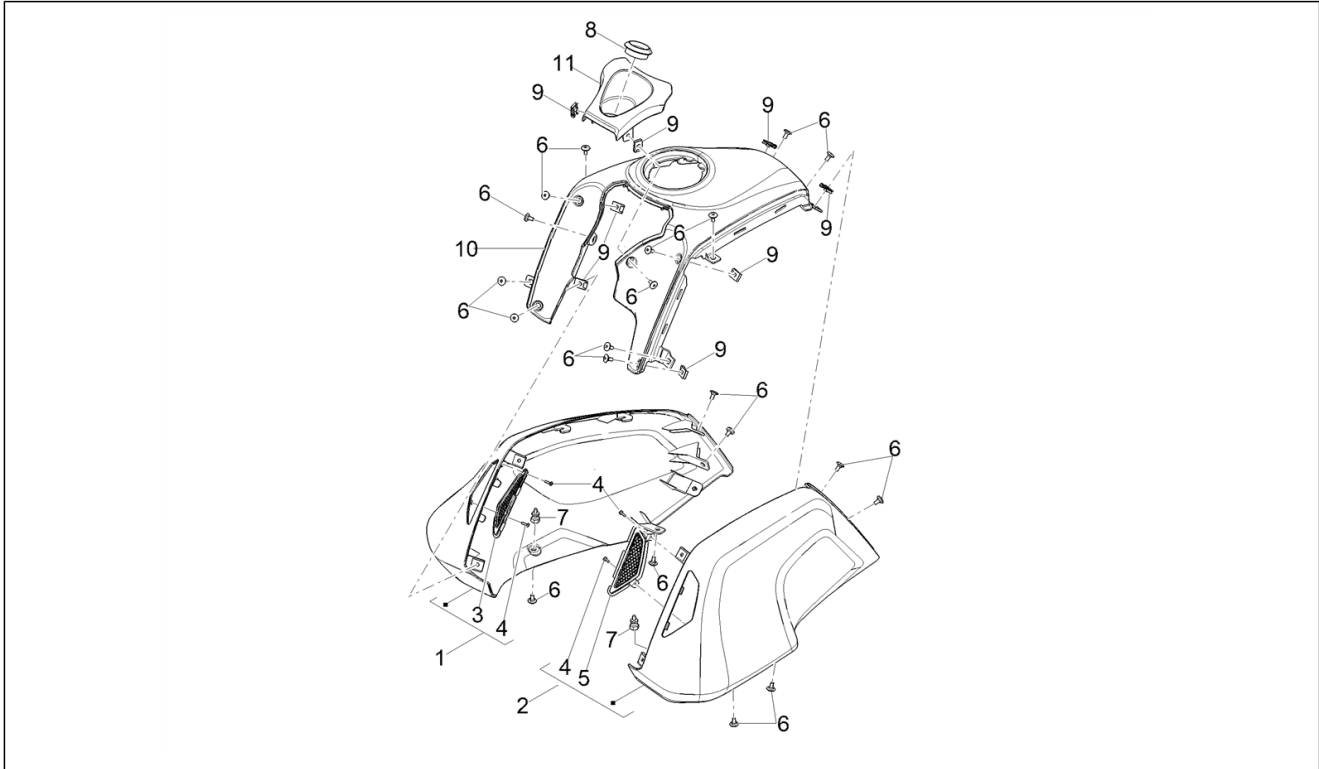
Pos.	Code	Description	Qty	Variants
3	2B005327000XN2	Front splash guard	1	Colour:Guardia D'Onore[XN2]
3	2B005327000NV	Front splash guard	1	Colour:Raptor Green[XV6] Black Etna[NV] Technical Specification:V85 TT[BASE]
3	2B005327000YV2	Front splash guard	1	Colour:Centenary[YV2] Technical Specification:V85 TT[BASE]
3	2B005327000Q4	Front splash guard	1	Colour:Yellow Mojave[Z1] Technical Specification:V85 TT Evocative[SP]
3	2B005327000YR6	Front splash guard	1	Colour:Red Uluru[Z3] Technical Specification:V85 TT Evocative[SP]
3	2B005327	Front splash guard	1	Colour:Blank[GR] Technical Specification:V85 TT[BASE] V85 TT Evocative[SP]
4	2B005530	Grid	1	
5	AP8150413	Self-tap screw 3,9x14	8	
6	AP8152299	Self-locking nut M6	4	
7	2B005945	Stud bolt	4	
8	2B006410	T bushing	4	
9	2B007936	Flanged hexagonal-head screw M8x16	4	
10	AP8221128	T bush 8,5x10,7x12	4	
11	AP8120030	Rubber spacer	4	
12	2B002571	Pre-coated M8x25 hex flange screw	4	
13	2B004655	Sump guard	1	
14	575268	Spring plate M8	4	
15	2B004657	Rear stirrup	1	
16	2B004656	Front stirrup	1	

<b>Group</b>	Body
<b>Code</b>	02.050
<b>Description</b>	Windshield
<b>Service</b>	1



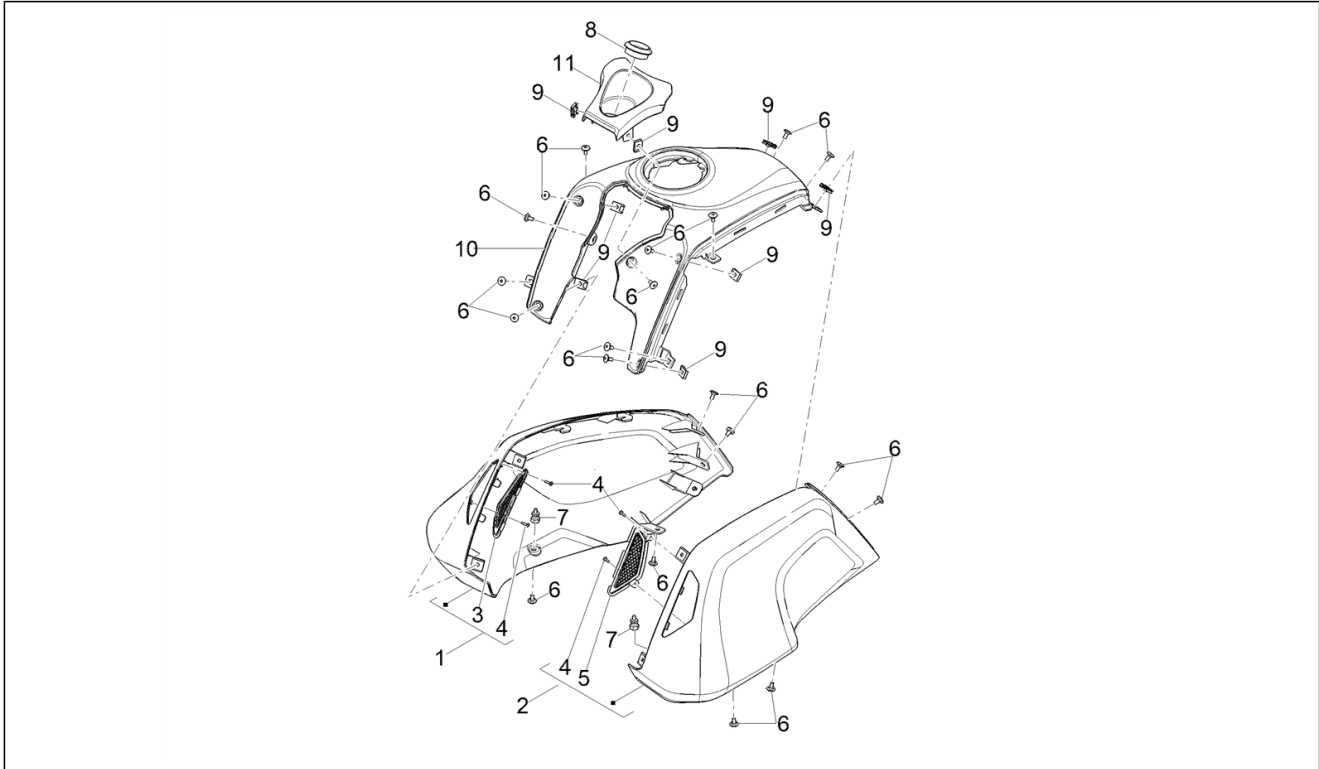
Pos.	Code	Description	Qty	Variants
1	2B006082	Windshield	1	<b>Technical Specification:</b> Guardia d'Onore[GDO] No decals[ND]
1	2B006279	Windshield	1	<b>Technical Specification:</b> No decals[ND] V85 TT[BASE] V85 TT Evocative[SP]
2	AP8152137	Hex socket screw M6x20 Z.N.	4	
3	GU32578410	Bushing black	4	
4	GU32577910	Rubber spacer 10x25	4	
5	2B005819	Bush	4	
6	2B002187	Hex socket screw M6x10	4	
7	2B005453	Windscreen support	1	
8	2B006595	Bush	2	
9	2B005510	Threaded bush M6	2	
10	2B005511	Threaded bush M6	2	
11	GU98370616	Hex socket screw M6x16 inox	2	
12	GU98692325	Hex socket screw M6x25	2	
13	AP8150378	Washer 6,4x18x2	2	
14	AP8152181	Washer 6,4x15x1	4	

<b>Group</b>	Body
<b>Code</b>	02.090
<b>Description</b>	Tank cover
<b>Service</b>	1



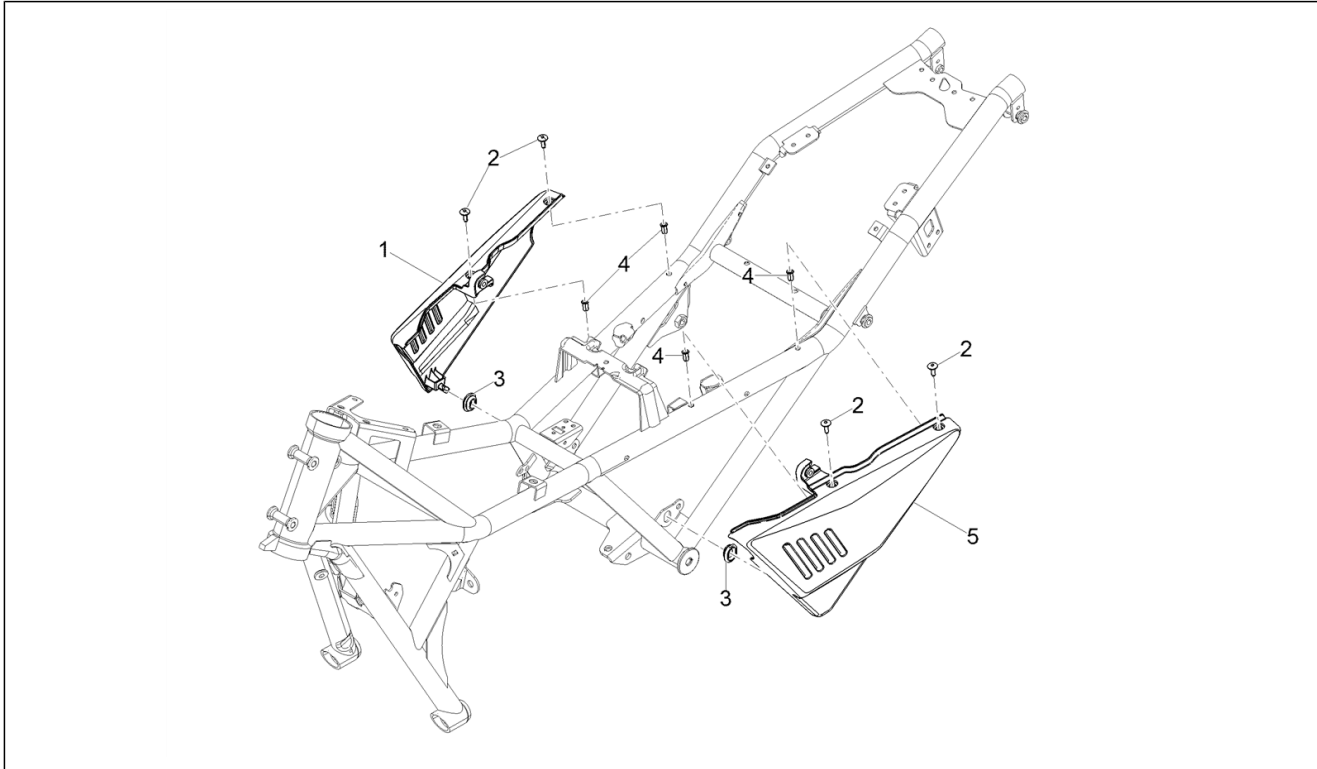
Pos.	Code	Description	Qty	Variants
1	2H005368000Z5	Right fuel tank cover	1	<b>Colour:</b> Blu Uyuni[Z5] <b>Technical Specification:</b> Decal[D]
1	2H004820000XN2	Right fuel tank cover	1	<b>Colour:</b> Guardia D'Onore[XN2] <b>Technical Specification:</b> Decal[D]
1	2H004264000NV	Right fuel tank cover	1	<b>Colour:</b> Black Etna[NV] <b>Technical Specification:</b> V85 TT[BASE] Decal[D]
1	2H005001000XV6	Right fuel tank cover	1	<b>Colour:</b> Raptor Green[XV6] <b>Technical Specification:</b> Decal[D]
1	2H004377000G12	Right fuel tank cover	1	<b>Colour:</b> Centenary[YV2] <b>Technical Specification:</b> V85 TT[BASE] Decal[D]
1	2H004275000Z3	Right fuel tank cover	1	<b>Colour:</b> Red Uluru[Z3] <b>Technical Specification:</b> V85 TT Evocative[SP] Decal[D]
1	2H004275000Z1	Right fuel tank cover	1	<b>Colour:</b> Yellow Mojave[Z1] <b>Technical Specification:</b> V85 TT Evocative[SP] Decal[D]
1	2B006062	Right fuel tank cover	1	<b>Colour:</b> Blank[GR]
2	2H005369000Z5	Left fuel tank cover	1	<b>Colour:</b> Blu Uyuni[Z5] <b>Technical Specification:</b> Decal[D]
2	2H004821000XN2	Left fuel tank cover	1	<b>Colour:</b> Guardia D'Onore[XN2] <b>Technical Specification:</b> Decal[D]
2	2H005002000XV6	Left fuel tank cover	1	<b>Colour:</b> Raptor Green[XV6] <b>Technical Specification:</b> Decal[D]
2	2H004265000NV	Left fuel tank cover	1	<b>Colour:</b> Black Etna[NV] <b>Technical Specification:</b> V85 TT[BASE] Decal[D]
2	2H004378000G12	Left fuel tank cover	1	<b>Colour:</b> Centenary[YV2] <b>Technical Specification:</b> V85 TT[BASE] Decal[D]
2	2H004276000Z3	Left fuel tank cover	1	<b>Colour:</b> Red Uluru[Z3] <b>Technical Specification:</b> V85 TT Evocative[SP] Decal[D]
2	2H004276000Z1	Left fuel tank cover	1	<b>Colour:</b> Yellow Mojave[Z1] <b>Technical Specification:</b> V85 TT Evocative[SP] Decal[D]
2	2B006063	Left fuel tank cover	1	<b>Colour:</b> Blank[GR]
3	2B005464	Right cover grille	1	
4	AP8150421	Self-tap screw 2,9x12	4	

<b>Group</b>	Body
<b>Code</b>	02.090
<b>Description</b>	Tank cover
<b>Service</b>	1



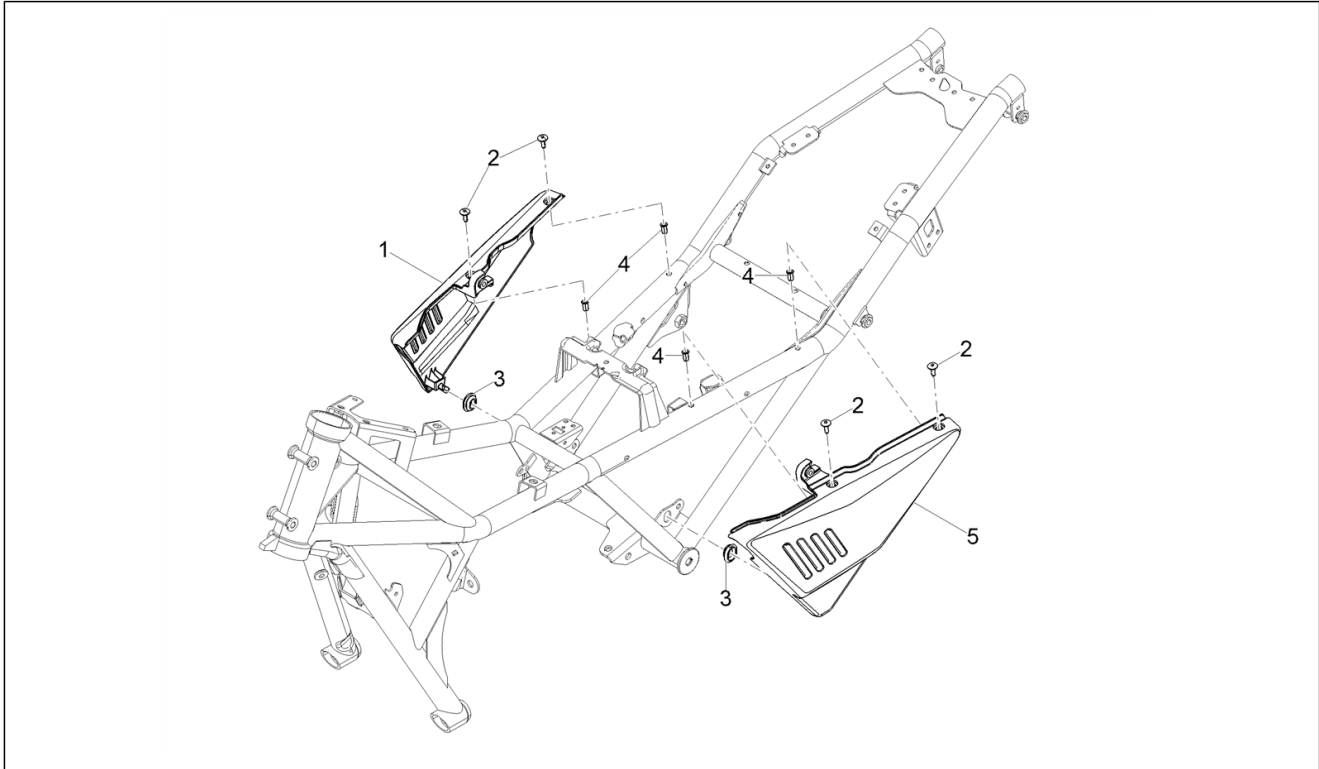
Pos.	Code	Description	Qty	Variants
5	2B005463	Left cover grille	1	
6	AP8150500	Hex socket screw M5x9 NERINOX	14	
7	2B005486	Stud bolt	2	
8	AP8127461	Main switch seal	6	
9	AP8102375	Clip M5	10	
10	2B005462	Cover plug	1	
11	2B005467	Cover	1	

<b>Group</b>	Body
<b>Code</b>	02.100
<b>Description</b>	Central body
<b>Service</b>	1



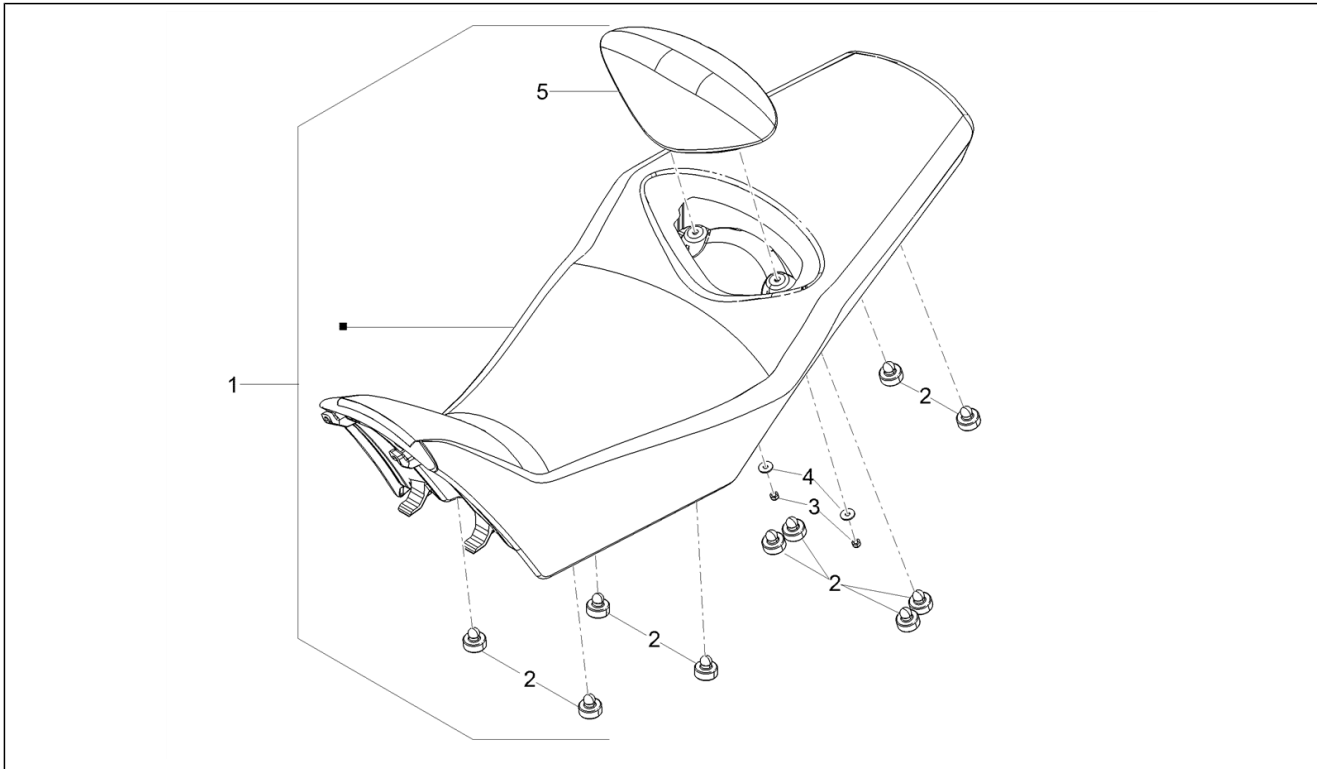
Pos.	Code	Description	Qty	Variants
1	2H005372000Z5	RH side panel	1	Colour:Blu Uyuni[Z5] Technical Specification:Decal[D]
1	2H003191000XV6	RH side panel, green	1	Colour:Raptor Green[XV6] Technical Specification:Decal[D]
1	2H005199000XN2	RH side panel, black	1	Colour:Guardia D'Onore[XN2] Technical Specification:Decal[D]
1	2H003191000NV	RH side panel, black	1	Colour:Black Etna[NV] Technical Specification:V85 TT[BASE] Decal[D]
1	2H004382000YV2	RH side panel, green	1	Colour:Centenary[YV2] Technical Specification:V85 TT[BASE] Decal[D]
1	2H004279000Z2	RH side panel	1	Colour:Yellow Mojave[Z1] Technical Specification:V85 TT Evocative[SP] Decal[D]
1	2H004279000Z4	RH side panel	1	Colour:Red Uluru[Z3] Technical Specification:V85 TT Evocative[SP] Decal[D]
1	2B005181	RH side panel, blank	1	Colour:Blank[GR]
2	AP8152302	Screw w/ flange M5x12	4	
3	AP8220162	Rubber spacer	2	
4	AP8201755	Threaded rivet	4	
5	2H005373000Z5	LH side fairing	1	Colour:Blu Uyuni[Z5] Technical Specification:Decal[D]
5	2H003192000XV6	Left side panel green version	1	Colour:Raptor Green[XV6] Technical Specification:Decal[D]
5	2H005200000XN2	LH side panel, black	1	Colour:Guardia D'Onore[XN2]
5	2H003192000NV	LH side panel, black	1	Colour:Black Etna[NV] Technical Specification:V85 TT[BASE] Decal[D]
5	2H004383000YV2	Left side panel green version	1	Colour:Centenary[YV2] Technical Specification:V85 TT Evocative[SP] Decal[D]
5	2H004280000Z2	LH side fairing	1	Colour:Yellow Mojave[Z1] Technical Specification:V85 TT Evocative[SP] Decal[D]
5	2H004280000Z4	LH side fairing	1	Colour:Red Uluru[Z3] Technical Specification:V85 TT Evocative[SP] Decal[D]

<b>Group</b>	Body
<b>Code</b>	02.100
<b>Description</b>	Central body
<b>Service</b>	1



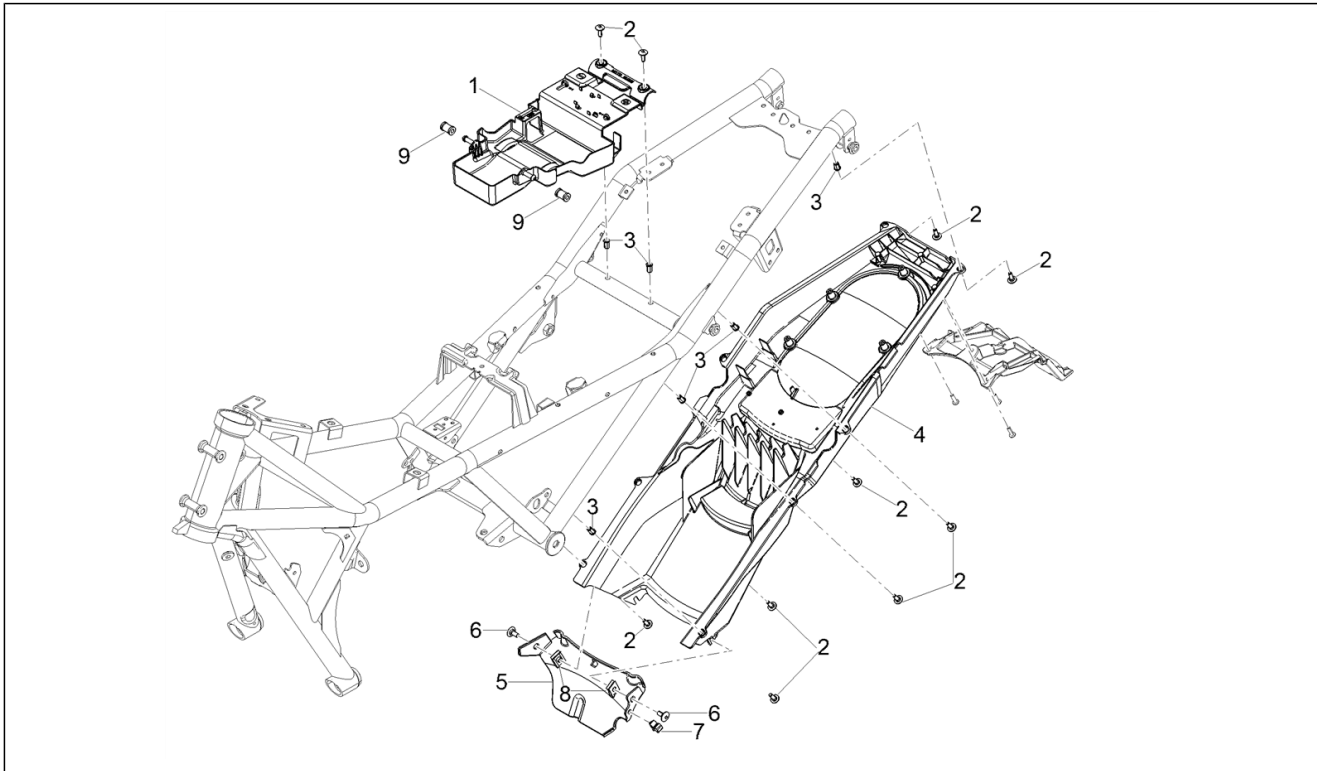
Pos.	Code	Description	Qty	Variants
5	2B005182	LH side panel, blank	1	Colour:Blank[GR]

<b>Group</b>	Body
<b>Code</b>	02.120
<b>Description</b>	Saddle
<b>Service</b>	1



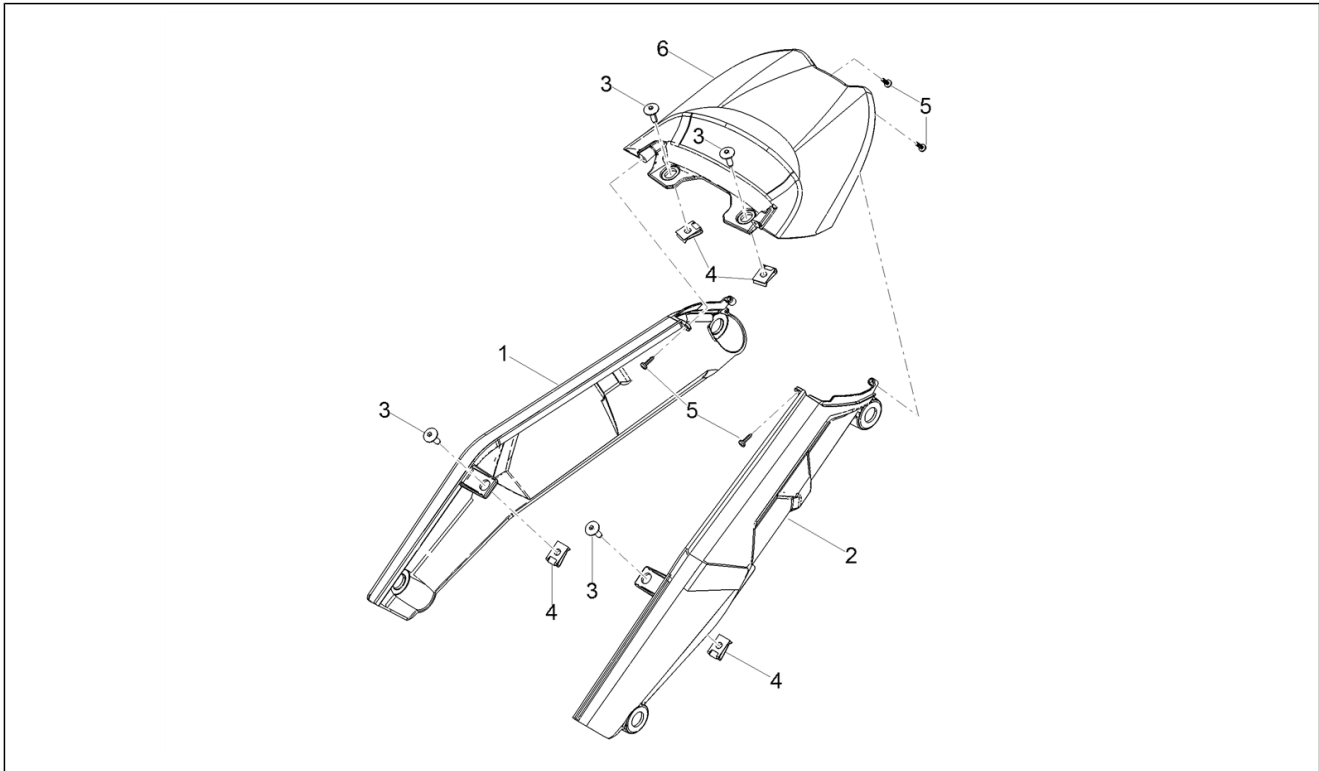
Pos.	Code	Description	Qty	Variants
1	2B005099000C4	Saddle	1	<b>Colour:</b> Centenary[YV2] <b>Technical Specification:</b> V85 TT[BASE]
1	2B005099000C3	Saddle	1	<b>Colour:</b> Raptor Green[XV6] Black Etna[NV] Guardia D'Onore[XN2]
1	2B005099000C2	Saddle	1	<b>Colour:</b> Yellow Mojave[Z1] Red Uluru[Z3] Blu Uyuni[Z5] <b>Technical Specification:</b> V85 TT Evocative[SP]
2	B064023	Saddle rubber	10	
3	AP8150114	Low self-locking nut	2	
4	224664	Washer 5,2X15X1,5	2	
5	2B005641000C4	Backrest	1	<b>Colour:</b> Centenary[YV2] <b>Technical Specification:</b> V85 TT[BASE]
5	2B005641000C3	Backrest	1	<b>Colour:</b> Raptor Green[XV6] Black Etna[NV] Guardia D'Onore[XN2] <b>Technical Specification:</b> V85 TT[BASE]
5	2B005641000C2	Backrest	1	<b>Colour:</b> Yellow Mojave[Z1] Red Uluru[Z3] Blu Uyuni[Z5] <b>Technical Specification:</b> V85 TT Evocative[SP]

<b>Group</b>	Body
<b>Code</b>	02.130
<b>Description</b>	Saddle compartment
<b>Service</b>	1



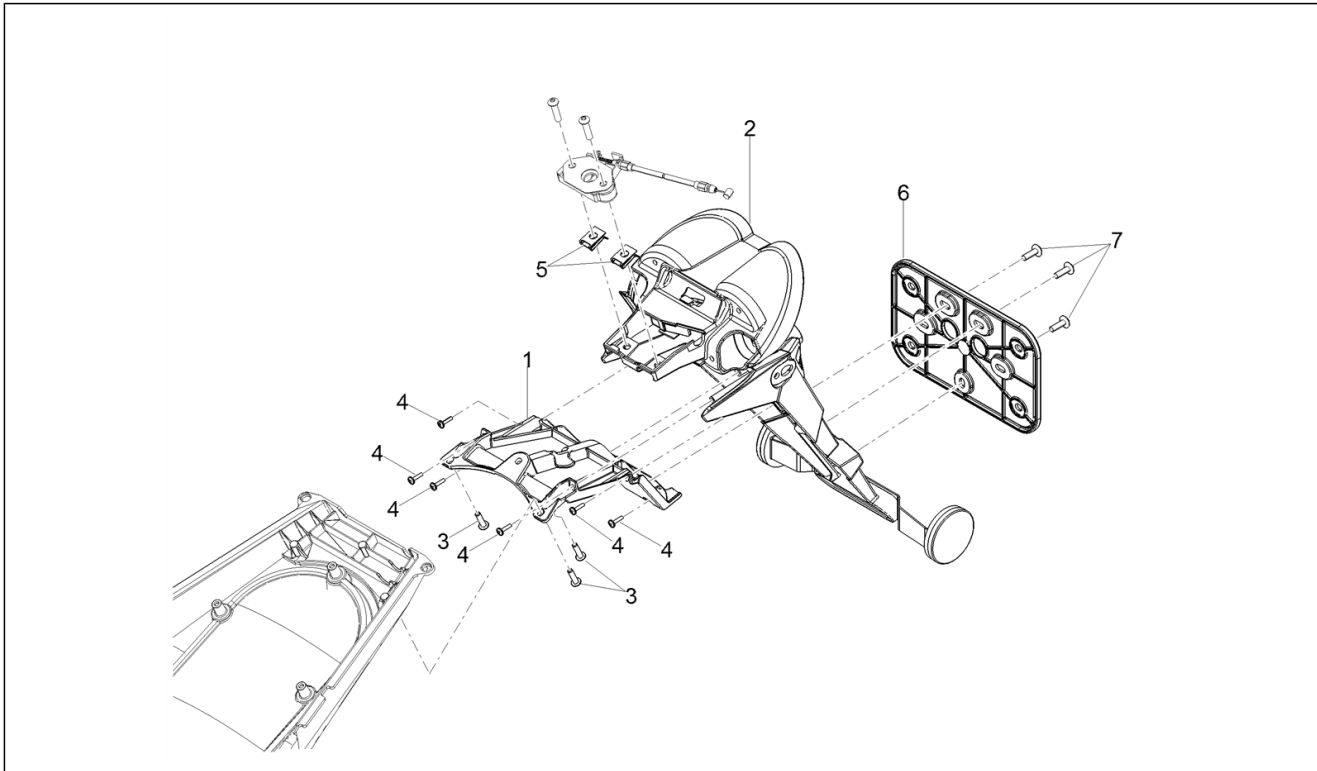
Pos.	Code	Description	Qty	Variants
1	2B005443	Glovebox compartment	1	
2	AP8152302	Screw w/ flange M5x12	10	
3	AP8201755	Threaded rivet	10	
4	2B005442	Battery box	1	
5	2B005846	Brake hose protection	1	
6	AP8150500	Hex socket screw M5x9 NERINOX	2	
7	2B004088	Fastener cable	1	
8	AP8102375	Clip M5	1	
9	109355	Fairlead	2	

<b>Group</b>	Body
<b>Code</b>	02.140
<b>Description</b>	Rear body
<b>Service</b>	1



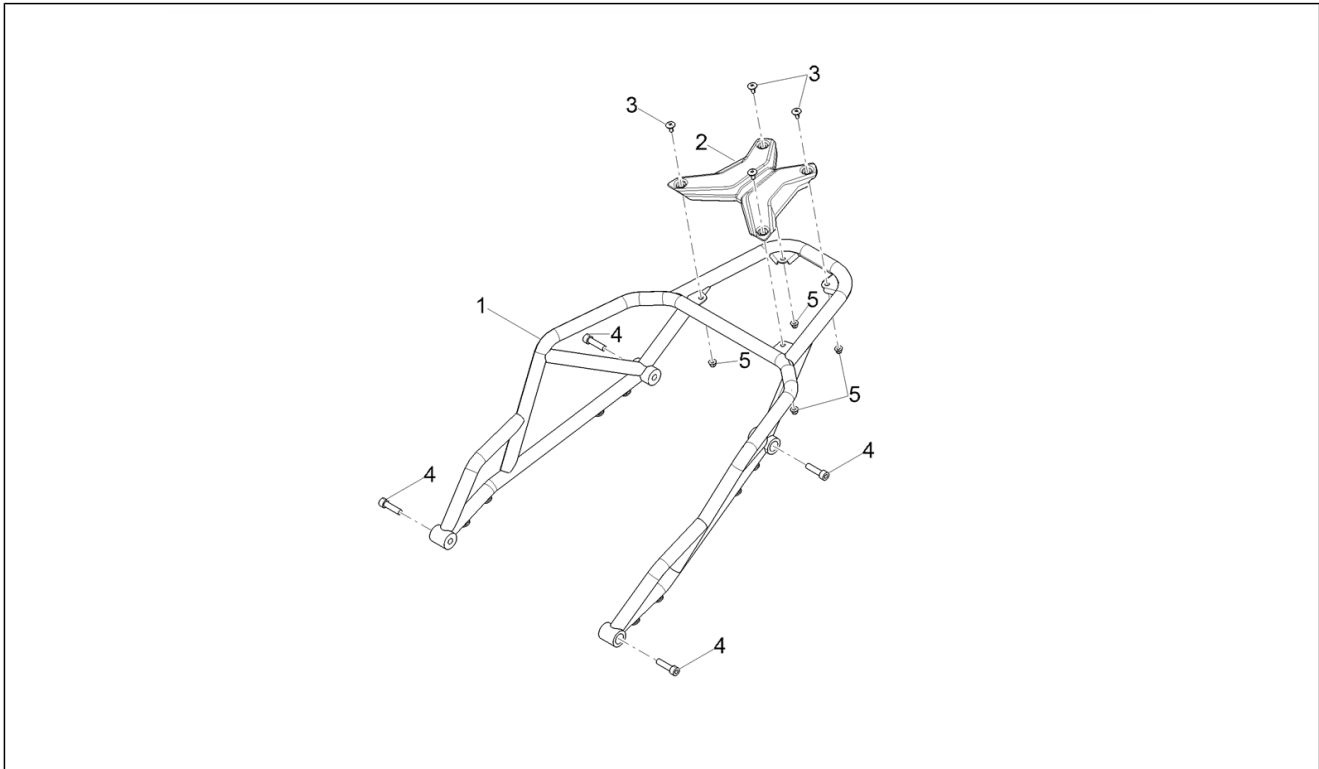
Pos.	Code	Description	Qty	Variants
1	2B005352	Right rear cover	1	
2	2B005353	Left rear cover	1	
3	AP8152302	Screw w/ flange M5x12	4	
4	AP8102375	Clip M5	4	
5	296141	Self tapping screw	4	
6	2B005354	Rear protection	1	

<b>Group</b>	Body
<b>Code</b>	02.150
<b>Description</b>	Rear mudguard
<b>Service</b>	1



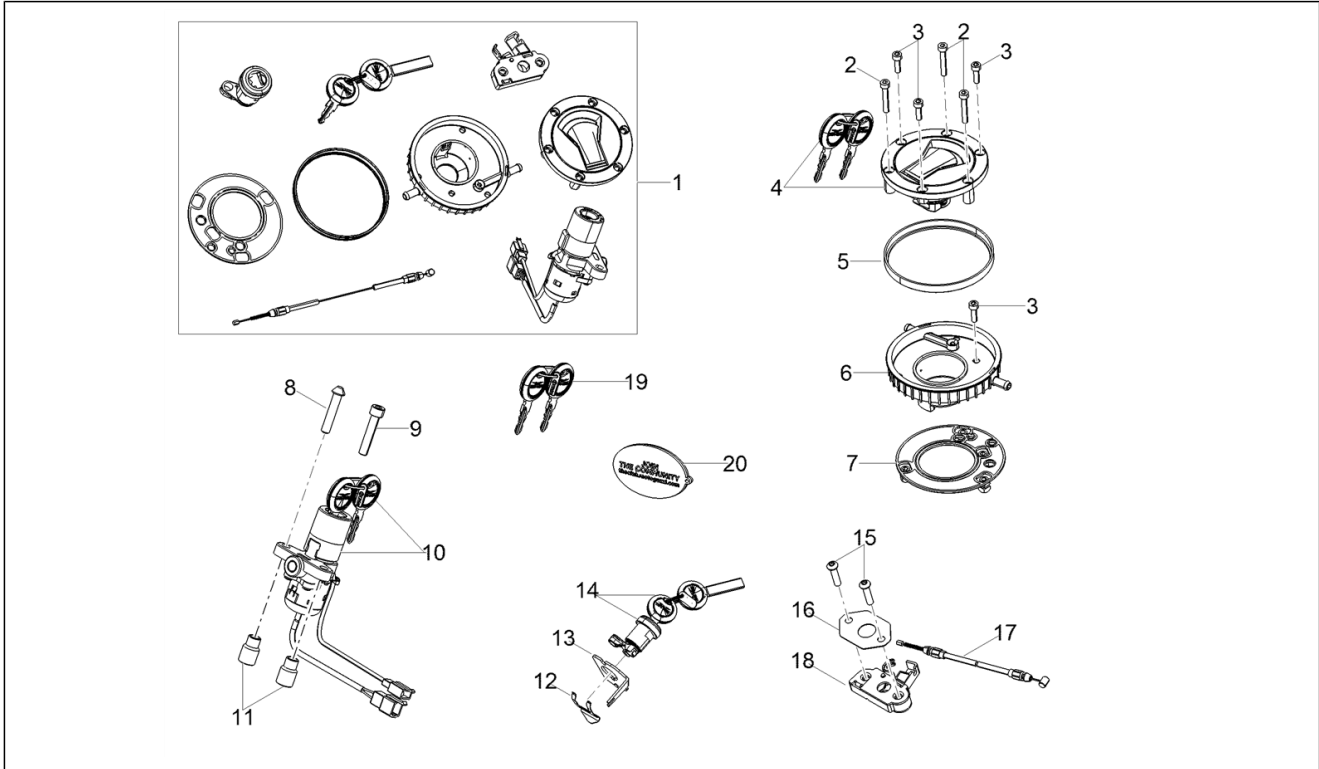
Pos.	Code	Description	Qty	Variants
1	2B005694	License plate fastener	1	
2	2B005451	License plate	1	
3	AP8152329	Phillips screw, SWP M5x20	3	
4	AP8150413	Self-tap screw 3,9x14	6	
5	254485	Spring plate M6	2	
6	AP8149034	Number plate support	1	
7	AP8152298	Screw w/ flange M5x16	3	

<b>Group</b>	Body
<b>Code</b>	02.160
<b>Description</b>	Luggage rack
<b>Service</b>	1



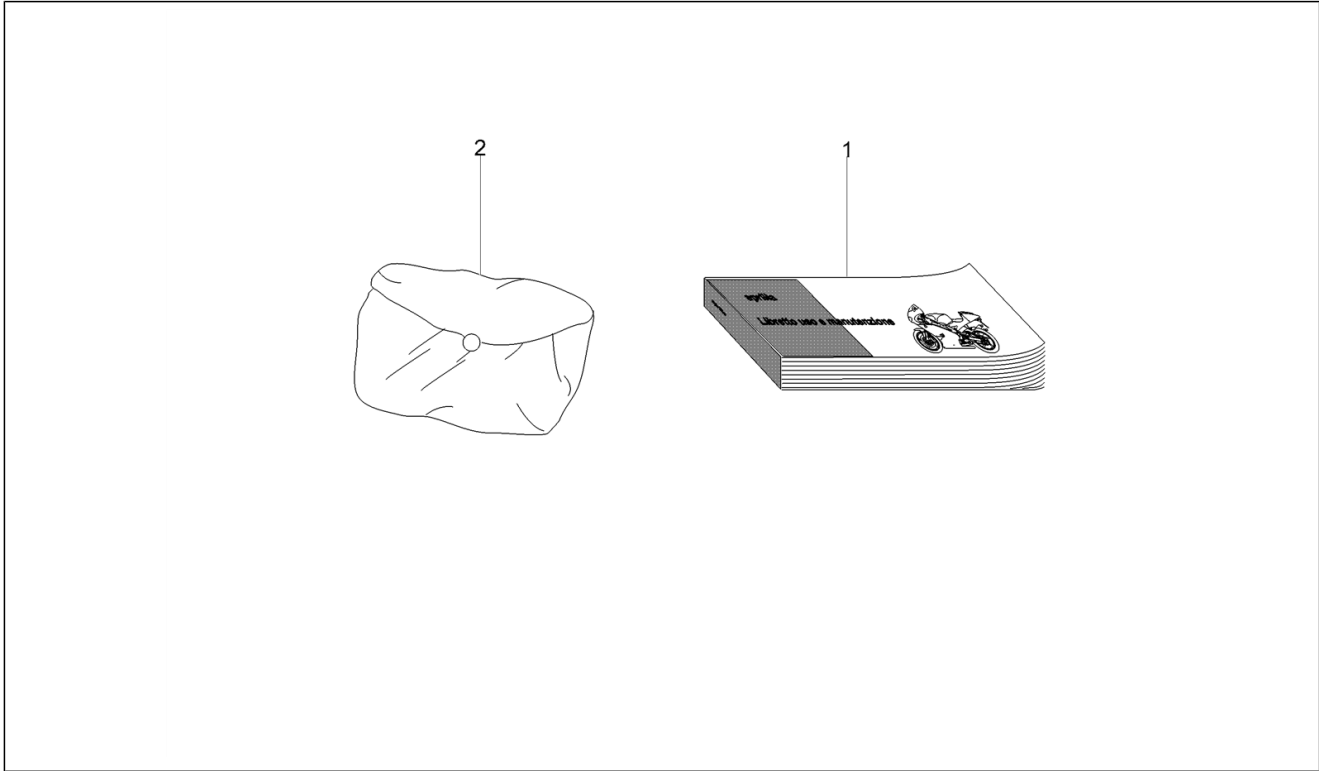
Pos.	Code	Description	Qty	Variants
1	2B005292000YR8	Luggage rack, red	1	<b>Colour:</b> Yellow Mojave[Z1] Red Uluru[Z3] Blu Uyuni[Z5] <b>Technical Specification:</b> V85 TT Evocative[SP]
1	2B005292000YE9	Luggage rack	1	<b>Colour:</b> Raptor Green[XV6] Centenary[YV2] Black Etna[NV] Guardia D'Onore[XN2] <b>Technical Specification:</b> V85 TT[BASE]
2	2B005779	Tyre	1	
3	AP8150500	Hex socket screw M5x9 NERINOX	4	
4	GU98682430	Hex socket screw M8x30	4	
5	AP8152306	Self-locking nut M5	4	

<b>Group</b>	Body
<b>Code</b>	02.170
<b>Description</b>	Locks
<b>Service</b>	1



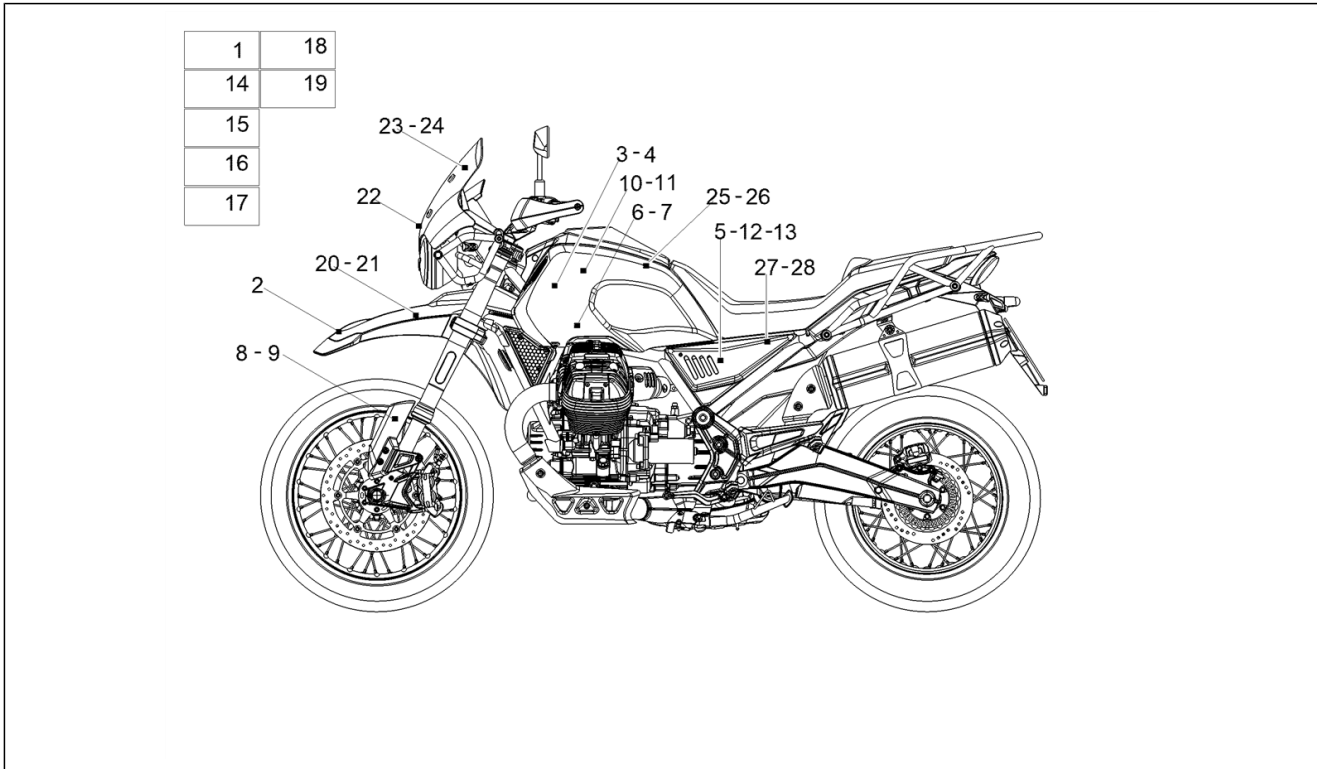
Pos.	Code	Description	Qty	Variants
1	2B005579	Lock kit	1	
2	AP8150453	Hex socket screw M5x30	3	
3	AP8150454	Hex socket screw M5x16	4	
4	2B005681	Fuel filler cap and lock	1	
5	899105	Fuel filler cap gasket	1	
6	899107	Fuel chamber	1	
7	899106	Gasket	1	
8	AP8150351	Shear rivet M8x40	1	
9	AP8150171	Hex socket screw M8x40	1	
10	2D000496	Key switch	1	
11	856180	Spacer *	2	
12	AP8121420	Fork spring	1	
13	978415	Cable fixing plate	1	
14	2B005680	Seat lock with key	1	
15	GU98370625	Hex socket screw M6x25	1	
16	886820	Saddle lock fix.plate	1	
17	2B005651	Saddle release cable	1	
18	899543	Lock attachment plate	1	
19	2B005184	Key with simple transponder	1	
20	2B004276	Key-fob "THE CLAN"	1	

<b>Group</b>	Body
<b>Code</b>	02.180
<b>Description</b>	Plate set / Various
<b>Service</b>	1



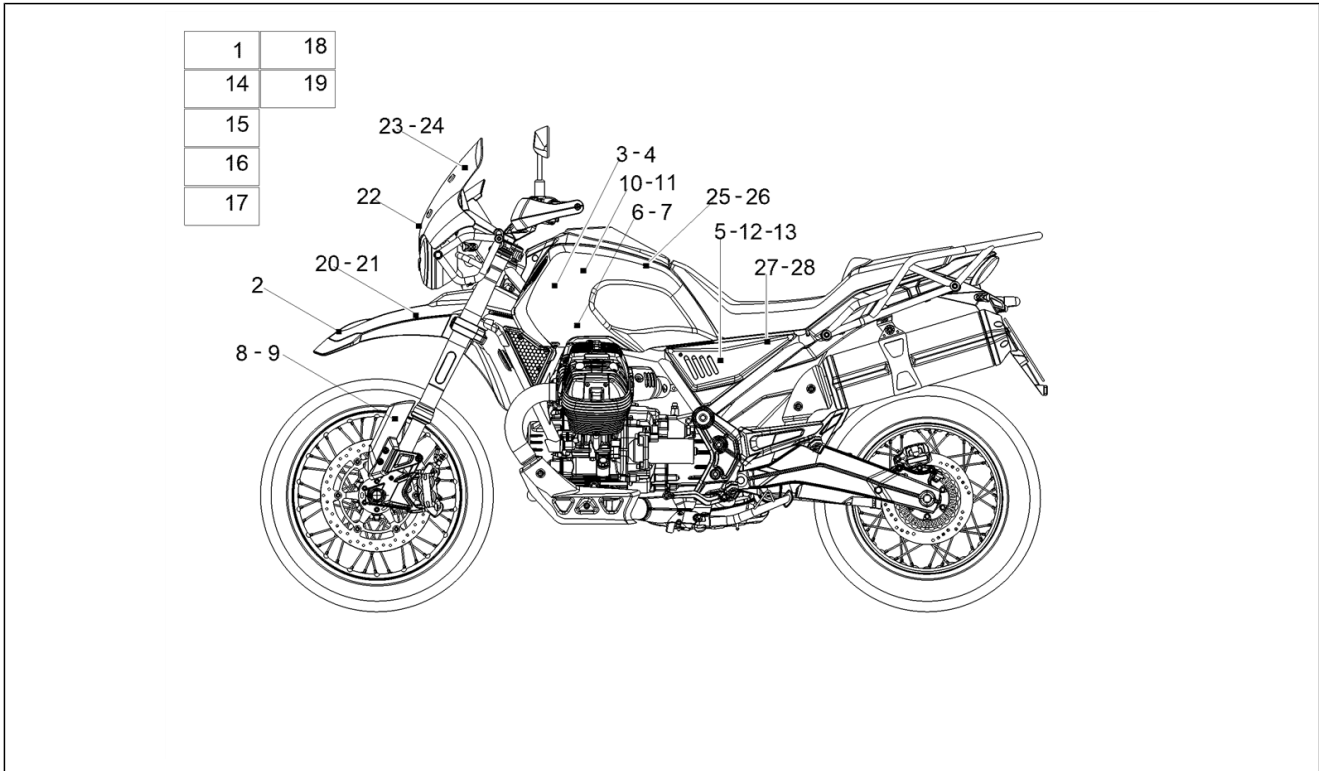
Pos.	Code	Description	Qty	Variants
1	2Q000523	USER MAN. EN-US-FR-ES-IT	1	
2	2B006272	Toolkit	1	

<b>Group</b>	Body
<b>Code</b>	02.190
<b>Description</b>	Decal
<b>Service</b>	1



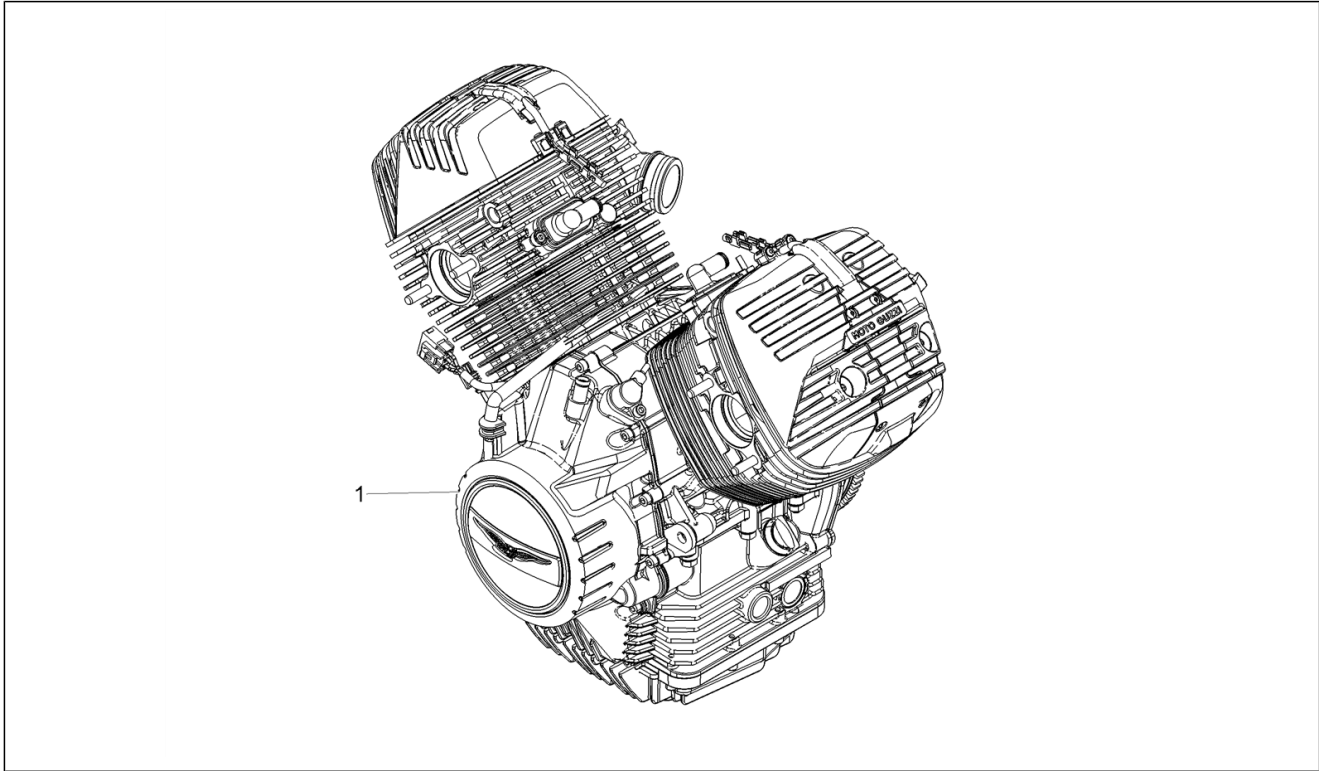
Pos.	Code	Description	Qty	Variants
1	2G000480	Tyre pressure decal	1	<b>Technical Specification:</b> Guardia d'Onore[GDO] V85 TT[BASE] V85 TT Evocative[SP]
2	2H001260	"Eagle" decal	1	<b>Colour:</b> Raptor Green[XV6] Black Etna[NV] Yellow Mojave[Z1] Red Uluru[Z3] Blu Uyuni[Z5] Guardia D'Onore[XN2]
2	2H004121	Front mudguard decal "100 ANNI GUZZI"	1	<b>Colour:</b> Centenary[YV2] Black Etna[NV] Yellow Mojave[Z1] Red Uluru[Z3]
3	2H004384	"Eagle" decal right	1	<b>Colour:</b> Centenary[YV2]
3	2H003127	"Eagle" decal right	1	<b>Colour:</b> Raptor Green[XV6] Black Etna[NV] Yellow Mojave[Z1] Red Uluru[Z3] Blu Uyuni[Z5] Guardia D'Onore[XN2]
4	2H004385	LH "Eagle" badge	1	<b>Colour:</b> Centenary[YV2]
4	2H003128	LH "Eagle" badge	1	<b>Colour:</b> Raptor Green[XV6] Black Etna[NV] Yellow Mojave[Z1] Red Uluru[Z3] Blu Uyuni[Z5] Guardia D'Onore[XN2]
5	2H004386	Name plate "V85TT"	2	<b>Colour:</b> Centenary[YV2]
5	2H003185	Name plate "V85TT"	2	<b>Colour:</b> Raptor Green[XV6] Black Etna[NV]
6	2H005005	RH strip decal	1	<b>Colour:</b> Raptor Green[XV6]
6	2H004270	RH strip decal	1	<b>Colour:</b> Black Etna[NV]
7	2H005006	LH strip decal	1	<b>Colour:</b> Raptor Green[XV6]
7	2H004271	LH strip decal	1	<b>Colour:</b> Black Etna[NV]
8	2H005376	RH stanchion guard decal	1	<b>Colour:</b> Blu Uyuni[Z5]
8	2H004289	RH stanchion guard decal	1	<b>Colour:</b> Yellow Mojave[Z1] Red Uluru[Z3]
9	2H005377	LH stanchion guard decal	1	<b>Colour:</b> Blu Uyuni[Z5]
9	2H004290	LH stanchion guard decal	1	<b>Colour:</b> Yellow Mojave[Z1] Red Uluru[Z3]
10	2H004291	RH strip decal	1	<b>Colour:</b> Yellow Mojave[Z1] Red Uluru[Z3] Blu Uyuni[Z5]
11	2H004292	LH strip decal	1	<b>Colour:</b> Yellow Mojave[Z1] Red Uluru[Z3] Blu Uyuni[Z5]
12	2H005201	RH side fairing decal "Guardia D'Onore"	1	<b>Colour:</b> Guardia D'Onore[XN2]
12	2H004293	RH side fairing decal	1	<b>Colour:</b> Yellow Mojave[Z1] Red Uluru[Z3] Blu Uyuni[Z5]
13	2H005202	LH side fairing decal "Guardia D'Onore"	1	<b>Colour:</b> Guardia D'Onore[XN2]

<b>Group</b>	Body
<b>Code</b>	02.190
<b>Description</b>	Decal
<b>Service</b>	1



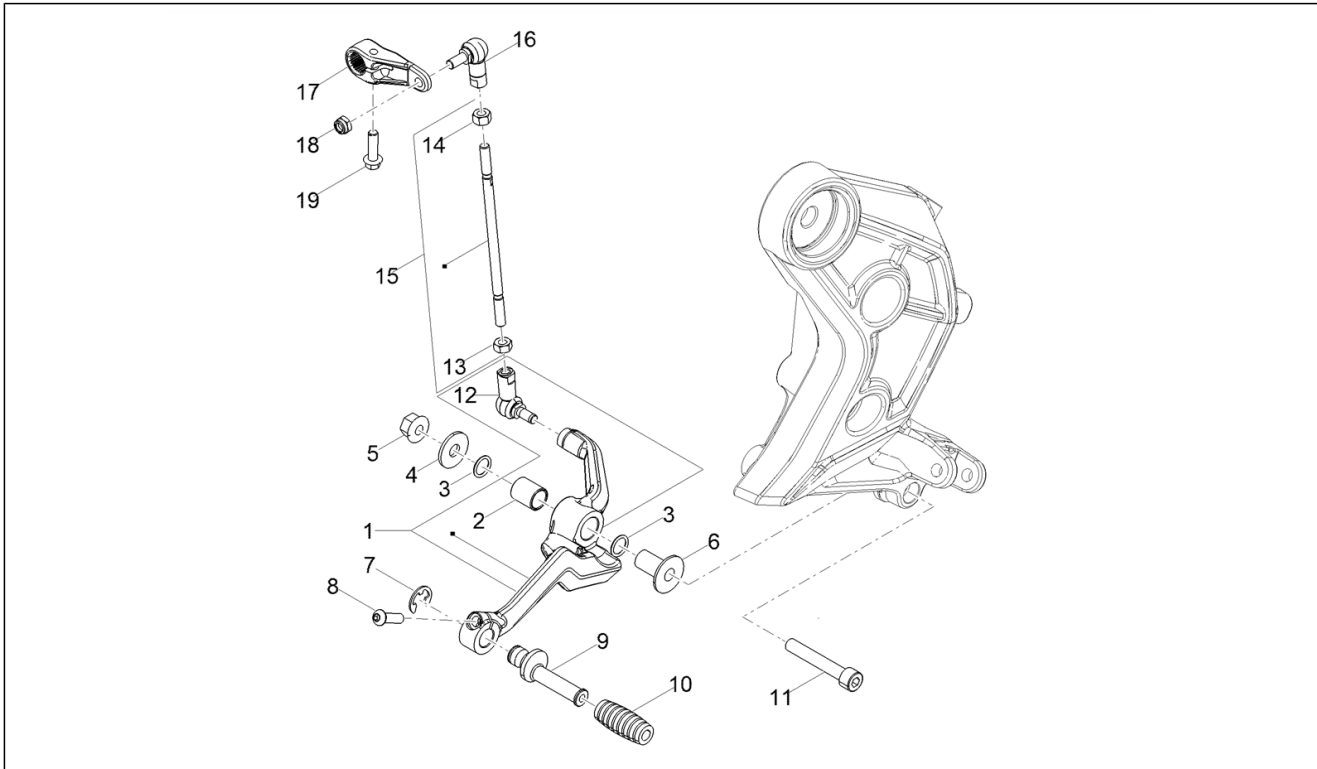
Pos.	Code	Description	Qty	Variants
13	2H004294	LH side fairing decal	1	Colour:Yellow Mojave[Z1] Red Uluru[Z3] Blu Uyuni[Z5]
14	2G000894	Noise emission sticker MY24	1	
14	2G000744	Noise emission sticker MY23	1	
14	2G000683	Noise emission sticker MY22	1	
14	2G000653	Noise emission sticker MY21	1	
15	2G000895	Emission control sticker MY24	1	
15	2G000745	Emission control sticker MY23	1	
15	2G000684	Emission control sticker MY22	1	
15	2G000654	Emission control sticker MY21	1	
16	2G000896	Carbon canister scheme sticker MY24	1	
16	2G000746	Carbon canister scheme sticker MY23	1	
16	2G000685	Carbon canister scheme sticker MY22	1	
16	2G000655	Carbon canister scheme sticker MY21	1	
17	B045974	Fuel decal E15	1	
18	AP8257794	Battery acid sticker	1	
19	GU30944300	Decal "Attention"	1	
20	2H004829	Front mudguard right band decal	1	Colour:Guardia D'Onore[XN2]
21	2H004830	Front mudguard left band decal	1	Colour:Guardia D'Onore[XN2]
22	2H004833	Flag decal	1	Colour:Guardia D'Onore[XN2]
23	2H004831		1	Colour:Guardia D'Onore[XN2]
24	2H004832		1	Colour:Guardia D'Onore[XN2]
25	2H004834	Decalco right band cover fuel tank	1	Colour:Guardia D'Onore[XN2]
26	2H004835	Decalco left band cover fuel tank	1	Colour:Guardia D'Onore[XN2]
27	2H004836	RH side fairing stripe decal	1	Colour:Guardia D'Onore[XN2]
28	2H004837	LH side fairing stripe decal	1	Colour:Guardia D'Onore[XN2]

<b>Group</b>	Engine
<b>Code</b>	03.010
<b>Description</b>	Engine-Completing part-Lever
<b>Service</b>	1



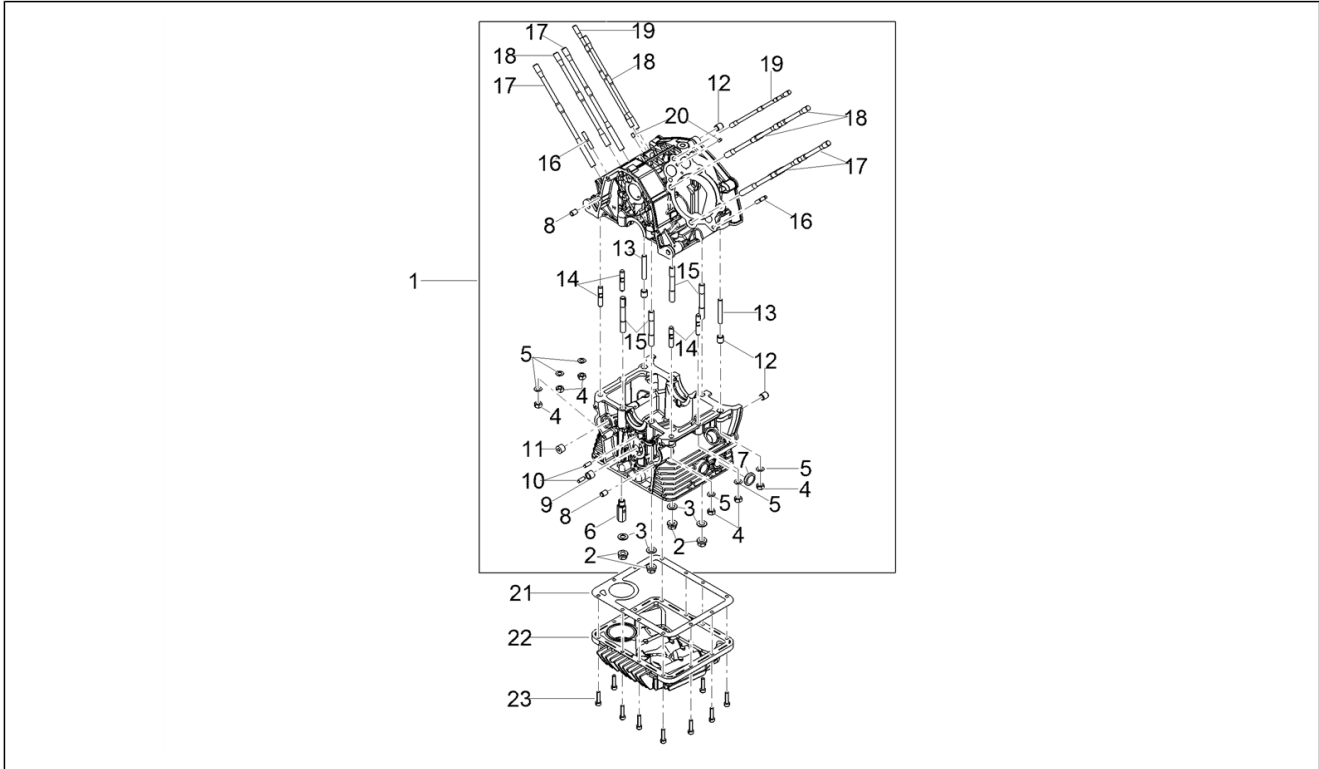
Pos.	Code	Description	Qty	Variants
1	1A0177125	Engine without gearbox	1	

<b>Group</b>	Engine
<b>Code</b>	03.020
<b>Description</b>	Internal gear selectors
<b>Service</b>	1



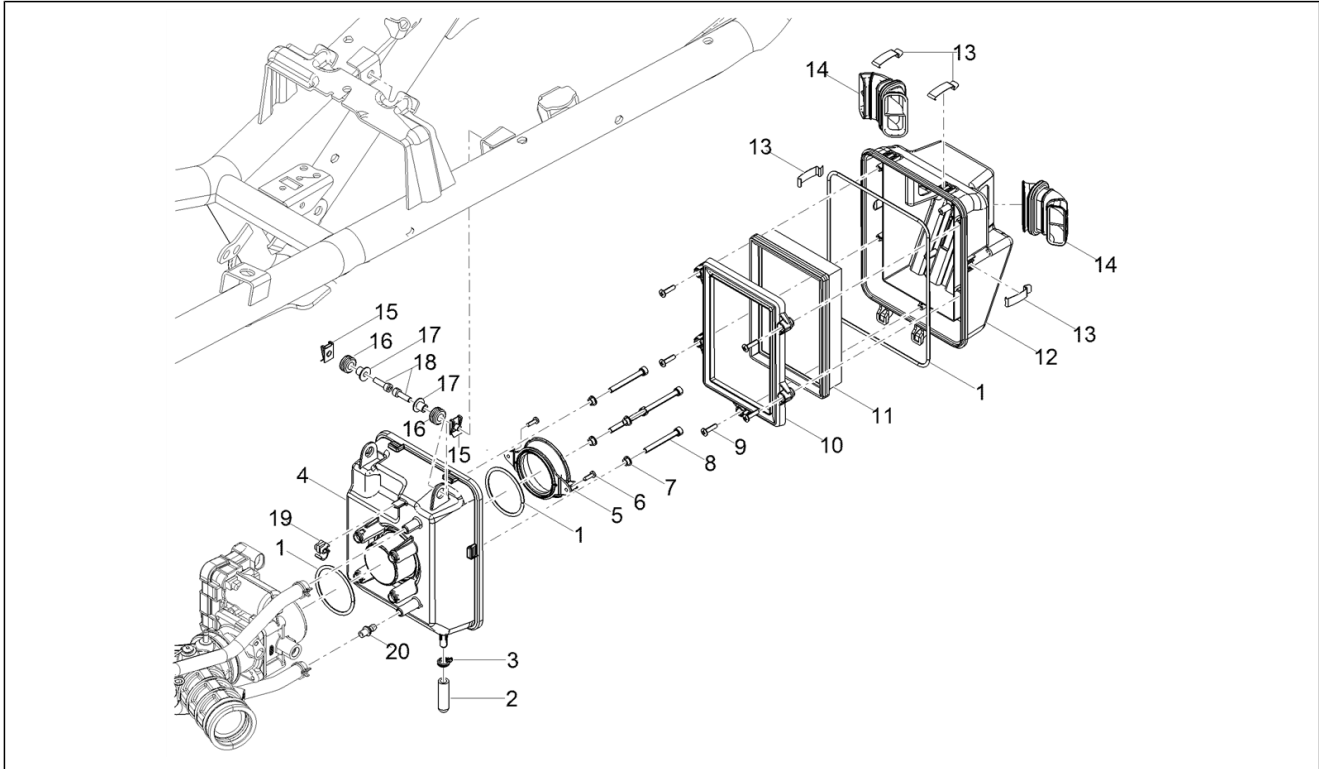
Pos.	Code	Description	Qty	Variants
1	2B004670	Complete gearchange lever	1	
2	895328	Sintered bushing	1	
3	AP8144007	O-ring 11,11x1,78	2	
4	AP8150018	Washer	1	
5	967363	Nut M8x1,25	1	
6	AP8121509	Bush	1	
7	AP8150462	Circlip d9	1	
8	AP8224470	Hex socket screw M6x20 inox	1	
9	AP8121221	Brake lever pin	1	
10	AP8120912	Lever rubber	1	
11	GU98680450	Hex socket screw M8x50	1	
12	2B004821	RH ball joint M6	1	
13	GU92609206	Nut M6	1	
14	GU03256800	Nut M6	1	
15	2B004704	Gear control tie rod	1	
16	898397	Left ball joint M6	1	
17	2B0051099	Shift lever	1	
18	GU92630707	Nut M6	1	
19	2B004560	M6x20 pre-coated hex head screw	1	

<b>Group</b>	Engine
<b>Code</b>	03.030
<b>Description</b>	Crankcases I
<b>Service</b>	1



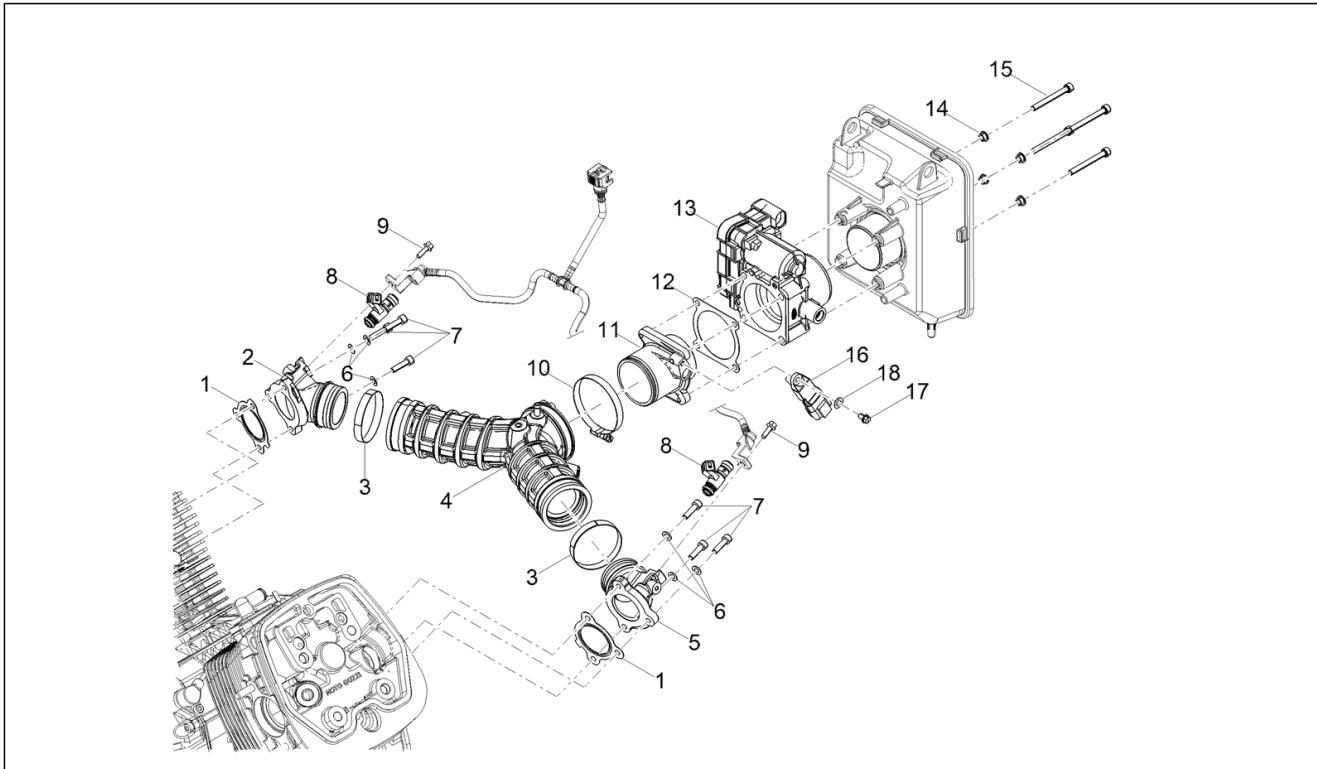
Pos.	Code	Description	Qty	Variants
1	1A0204355	Coupled crankcase	1	
2	1A006656	Flanged nut M10x1	4	
3	1A006655	Flat washer	4	
4	874557	Flanged nut M8x1,25	6	
5	1A018734	Metallic flat washer	6	
6	GU19003800	Joint	1	
7	485693	Oil level indicator	1	
8	GU19002020	Bushing 6,6x9x13	2	
9	976168	Drawn cap 10x14x12	1	
10	GU19018920	Locating dowel	2	
11	831135	Plug M14x1,5	1	
12	GU19015020	Bushing	4	
13	1A018733	Stud bolt	2	
14	1A018712	Stud bolt	4	
15	1A004530	Stud bolt	4	
16	1A008256	Stud bolt	2	
17	1A008102	Long head stud bolt	4	
18	1A008103	Short head stud bolt	4	
19	1A008104	Central head stud bolt	2	
20	484993	Locating dowel	1	
21	1A014777	Sump gasket	1	
22	1A016645	Oil pan	1	
23	GU98682325	Hex socket screw M6x25	12	

<b>Group</b>	Engine
<b>Code</b>	03.050
<b>Description</b>	Air box
<b>Service</b>	1



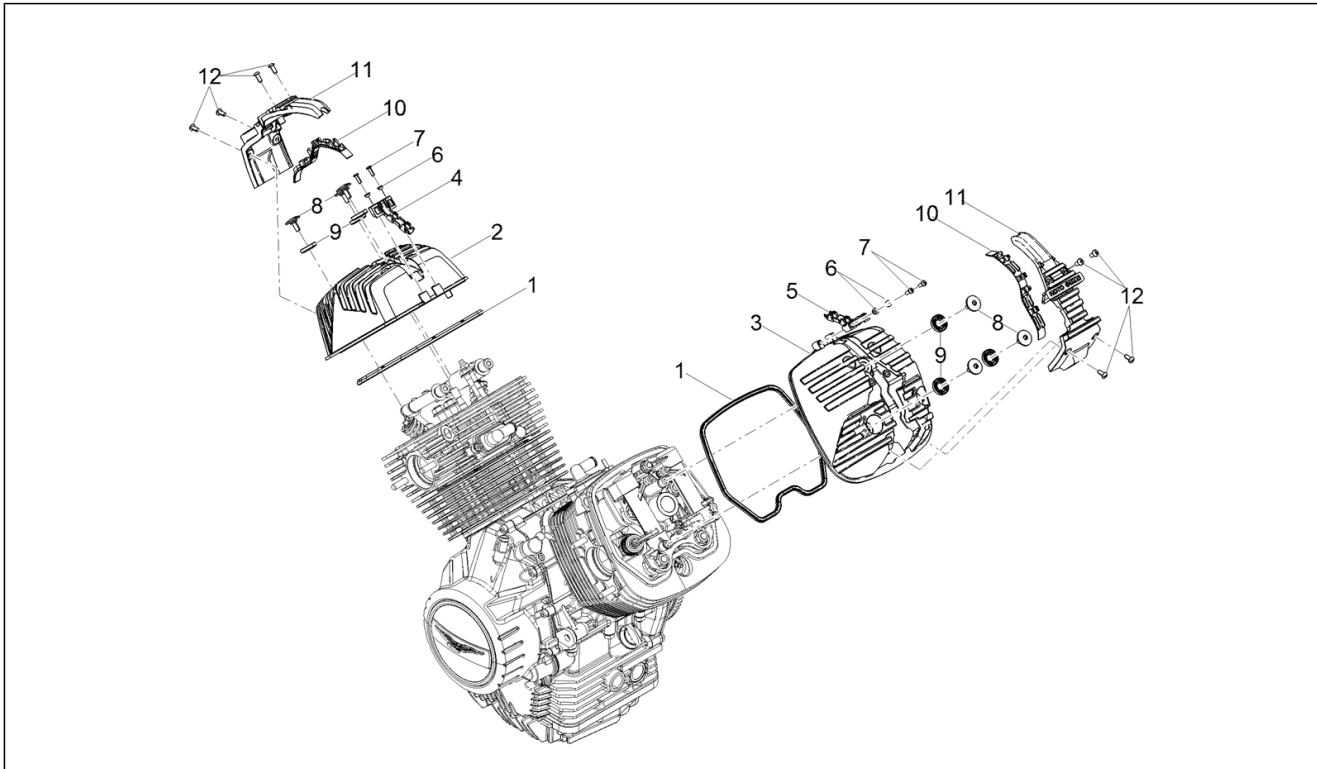
Pos.	Code	Description	Qty	Variants
1	AP8120615	Gasket D3	1	
2	AP8161054	Cap	1	
3	AP8102520	Hose clamp	1	
4	2B004460	Filter housing cover	1	
5	2B004959	Intake duct	1	
6	AP8150362	Self-tapping screw *	2	
7	887282	T bushing	4	
8	AP8150045	Hex socket screw M6x55	4	
9	AP8152329	Phillips screw, SWP M5x20	5	
10	886867	Filter support	1	
11	AP8104329	Air filter	1	
12	2B007979	Filter holder	1	
13	622236	Spring	4	
14	886861	Intake hose	2	
15	254485	Spring plate M6	2	
16	AP8120030	Rubber spacer	2	
17	AP8221023	T bush	2	
18	GU98682322	Hex socket screw M6x22	2	
19	AP8201727	Black cable guide	1	
20	2B006185	Blow-by pipe restrictor	1	

<b>Group</b>	Engine
<b>Code</b>	03.060
<b>Description</b>	Throttle body
<b>Service</b>	1



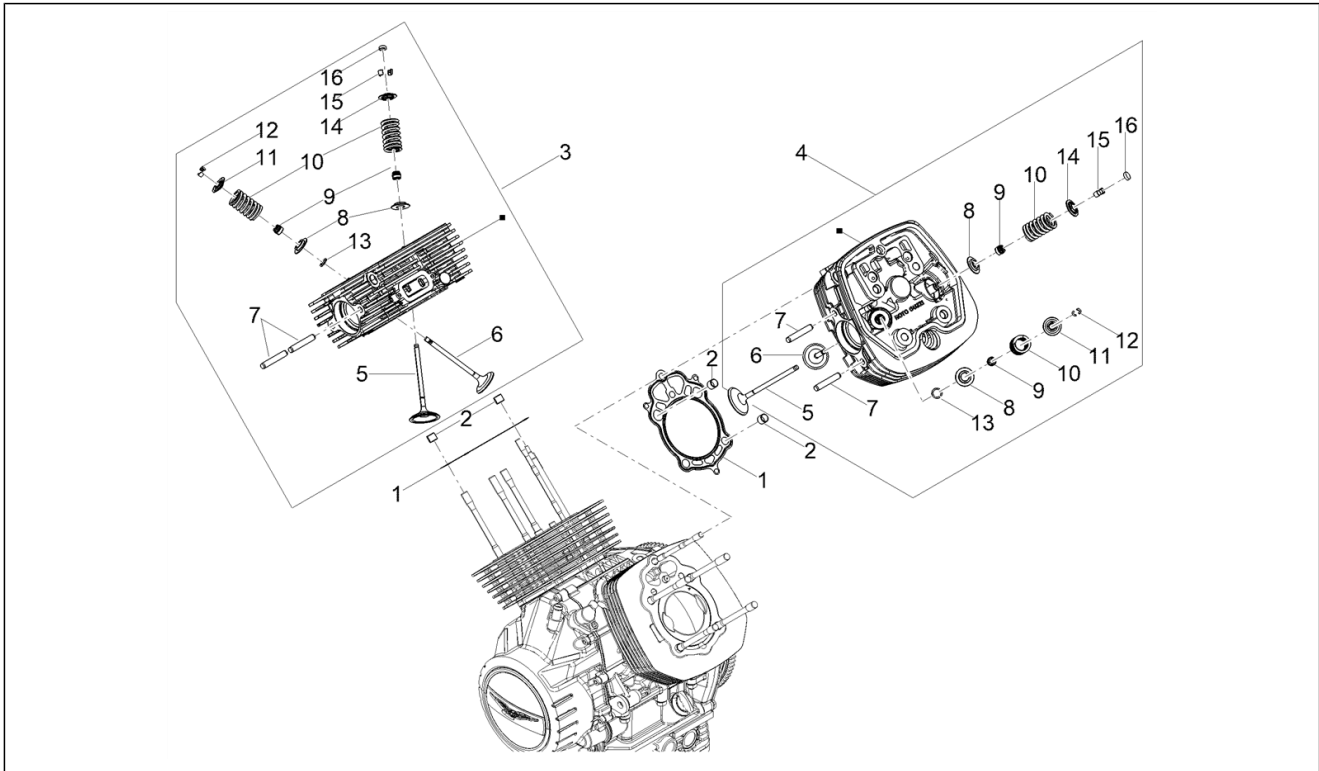
Pos.	Code	Description	Qty	Variants
1	1A009167	Gasket	2	
2	1A017660	RH intake connector	1	
3	CM258302	Hose clamp	2	
4	1A019905	Throttle body hose	1	
5	1A017659	LH intake connector	1	
6	GU03013800	Washer 6,4x12	6	
7	GU98622322	screw	6	
8	1D001393	Injector	2	
9	830061	Flanged hexagon screw M5x16	2	
10	AP8102401	Hose clamp D50-70x8*	1	
11	1A008090	Joint	1	
12	872264	Gasket	1	
13	872230	Throttle body	1	
14	887282	T bushing	4	
15	AP8150045	Hex socket screw M6x55	4	
16	887015	Air temp. Sensor	1	
17	2B002418	Screw w/ flange M6x16	1	
18	658837	Crinkle washer D15 F8,4 S1,5 - INOX	1	

<b>Group</b>	Engine
<b>Code</b>	03.090
<b>Description</b>	Cylinder head cover
<b>Service</b>	1



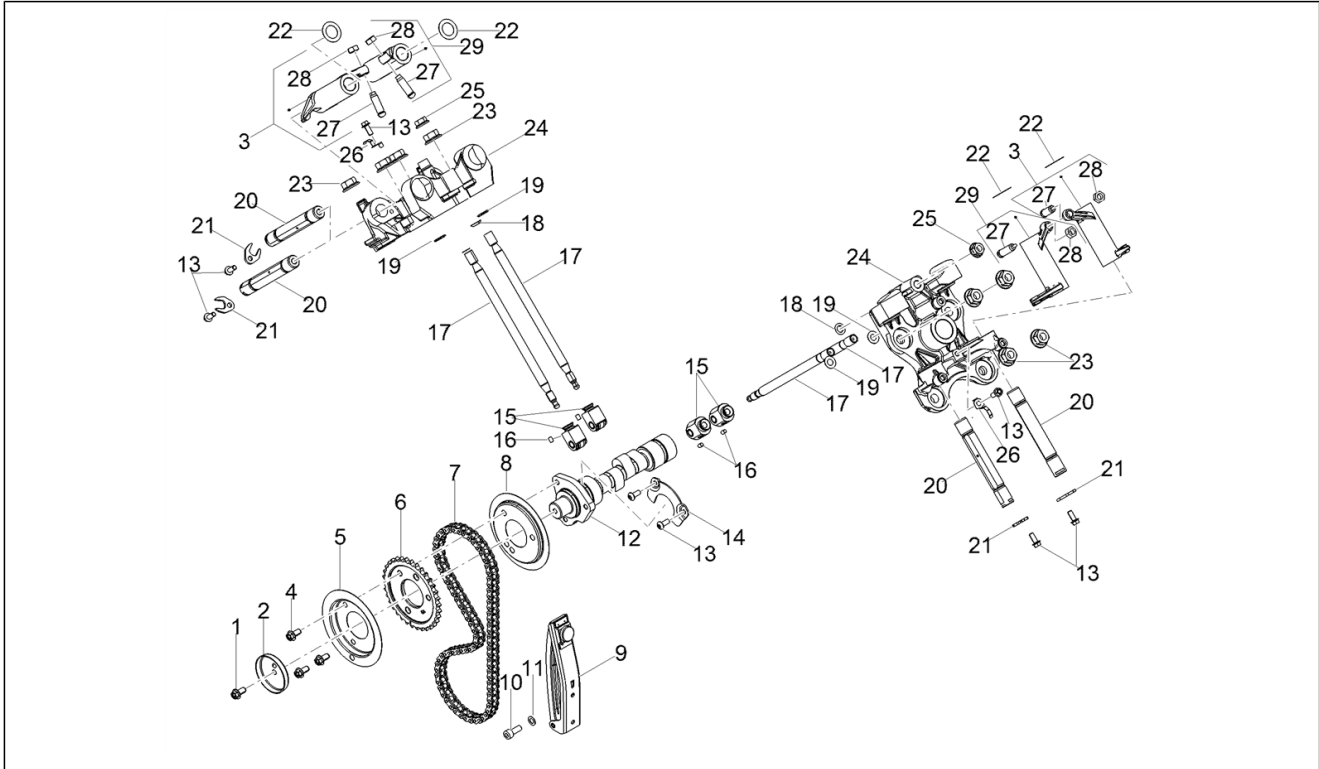
Pos.	Code	Description	Qty	Variants
1	2A000565	Head cover gasket	2	
2	1A013795	RH Head cover	1	
3	1A013793	LH Head cover	1	
4	2B006084	Spark plug cable retainer	1	
5	2B006083	Spark plug cable retainer	1	
6	2B003052	T bushing	4	
7	1A003444	Oval head screw	4	
8	976591	Special screw	6	
9	1A006716	Damper drift	6	
10	1A013822	Fairlead	2	
11	1A013796	Spark plug cover	2	
12	AP8152267	Hexagon convex big end screw M5x12	8	

<b>Group</b>	Engine
<b>Code</b>	03.100
<b>Description</b>	Cylinder head - valves
<b>Service</b>	1



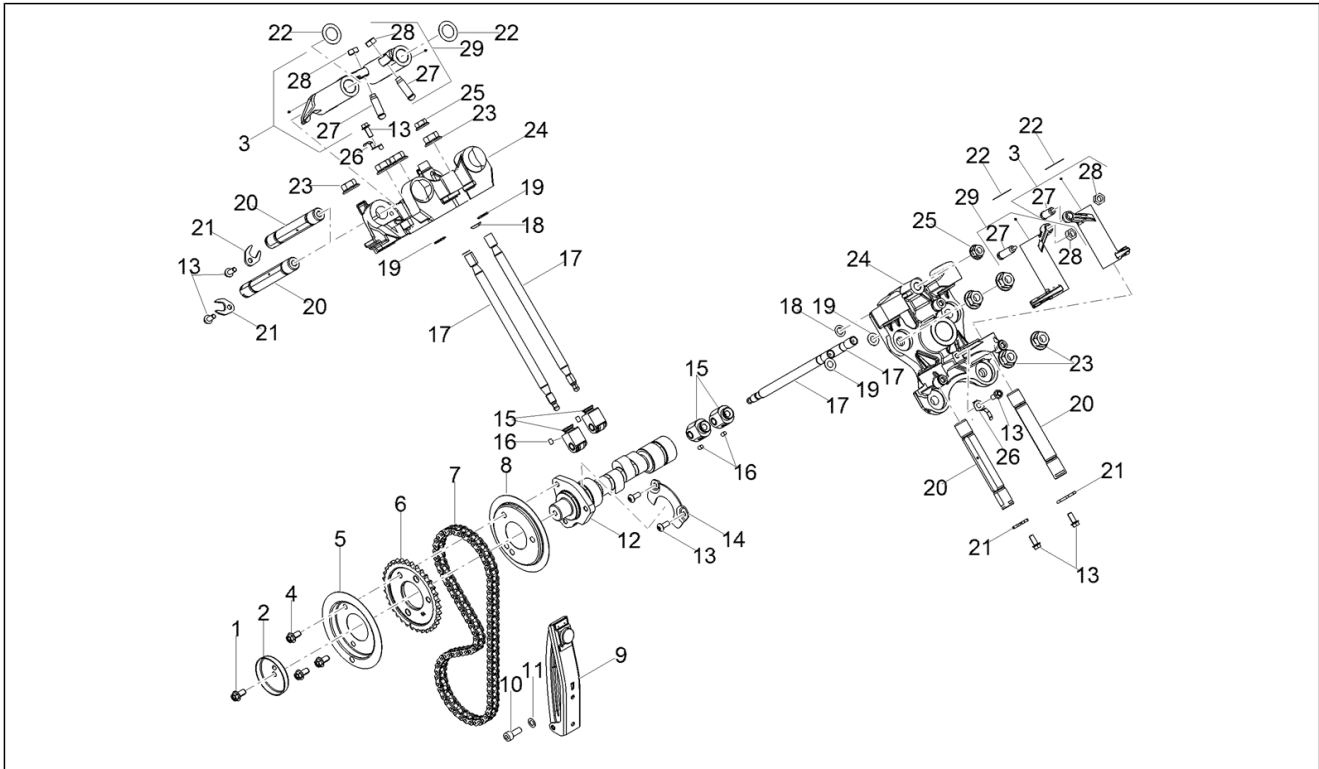
Pos.	Code	Description	Qty	Variants
1	1A004661	Cylinder/head gasket SP. 0.8 mm	1	
1	1A004662	Cylinder/head gasket SP. 1 mm	1	
1	1A004660	Cylinder/head gasket sp. 0,6 mm	1	
2	825597	Calibrated dowel 11,8x10	4	
3	1A0151195	RH head assy w/h valve	1	
4	1A0177255	LH head assy with valve	1	
5	1A015607R	Intake valve	2	
6	1A014459	Exhaust valve	2	
7	1A003632R	Stud bolt	4	
8	1A004751	Lower cap	4	
9	1A003452	Valve gasket ring	4	
10	1A011173	Valve return spring	4	
11	1A004750	Upper cap	2	
12	871640	Half-cone	4	
13	GU90353009	Snap ring	2	
14	1A012899	Upper cap	2	
15	1A011722	Half-cone	4	
16	1A015498	Valve terminal	2	

<b>Group</b>	Engine
<b>Code</b>	03.120
<b>Description</b>	Timing system
<b>Service</b>	1



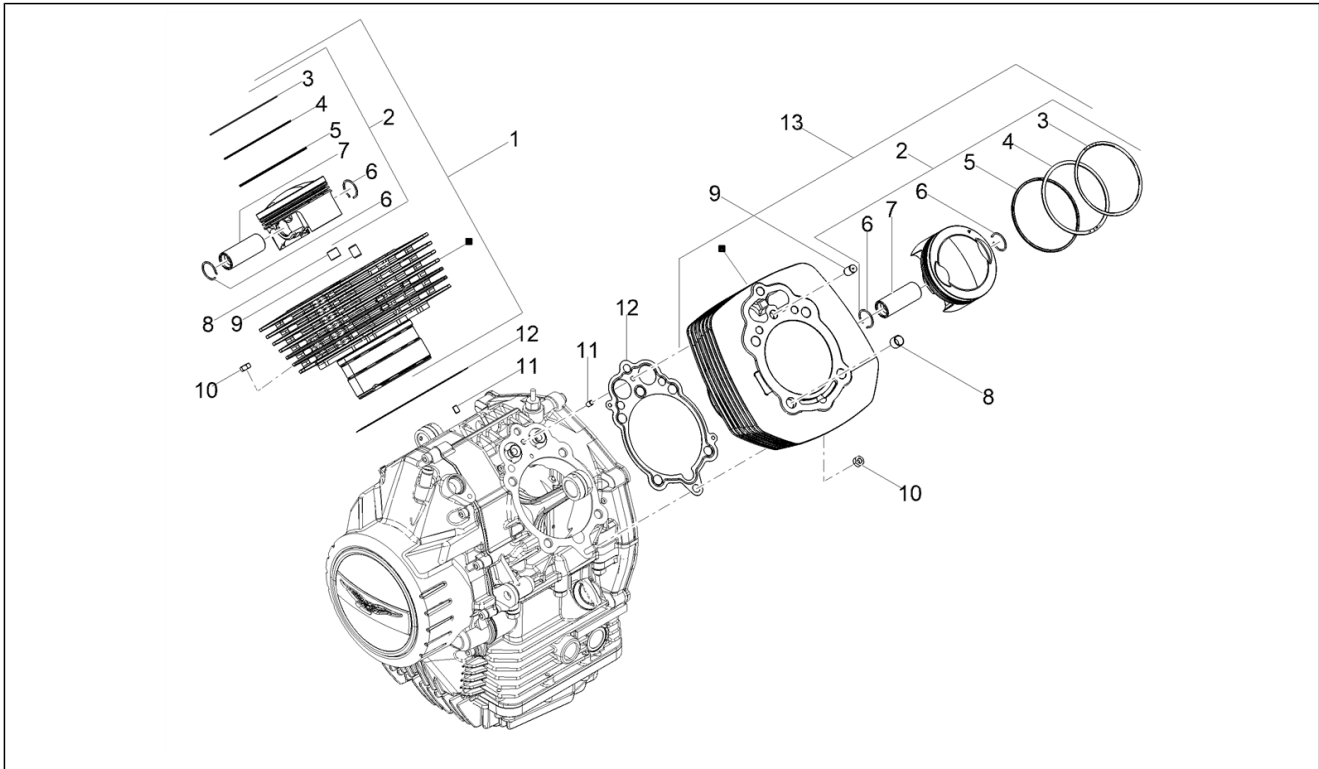
Pos.	Code	Description	Qty	Variants
1	878872	Flanged hexagon screw	1	
2	1A016844	Protection	1	
3	1A018002	Rocker arm intake LEFT head _ exhaust RIGHT head	2	<b>Technical Specification:NEW[NEW]</b>
3	1A0156125	Rocker arm intake LEFT head _ exhaust RIGHT head	2	<b>Technical Specification:OLD[OLD]</b>
4	878872	Flanged hexagon screw	3	
5	1A016330	Retaining plate	1	
6	1A006243	Timing system gear	1	
7	GU19058021	Camshaft chain	1	
8	1A005955	Plate	1	
9	1A0170355	Compl. chain tensioner brake pad	1	
10	GU98882316	screw	1	
11	GU95129115	Washer	1	
12	1A017488	Camshaft	1	
13	1A015041	Screw m5x12 torx	8	
14	1A009346	Camshaft retaining plate	1	
15	1A0136715	Roller tappet	4	
16	B013552	Roller	4	
17	1A012793	Rocker arm rod	4	
18	1A006861	Oil seal	2	
19	2A000579	O-Ring seal ring 2,62x9.19	4	
20	1A011963	Rocker shaft	4	
21	1A017540	Fork	4	
22	1A005951	Curved spring washer	4	
23	825694	Nut M10x1,25	8	
24	1A013883	Rocker arm support	2	
25	1A006659	Flanged nut M8x1.25	2	
26	2A000527	Plate	2	
27	1A004907	Adjuster screw	4	

<b>Group</b>	Engine
<b>Code</b>	03.120
<b>Description</b>	Timing system
<b>Service</b>	1



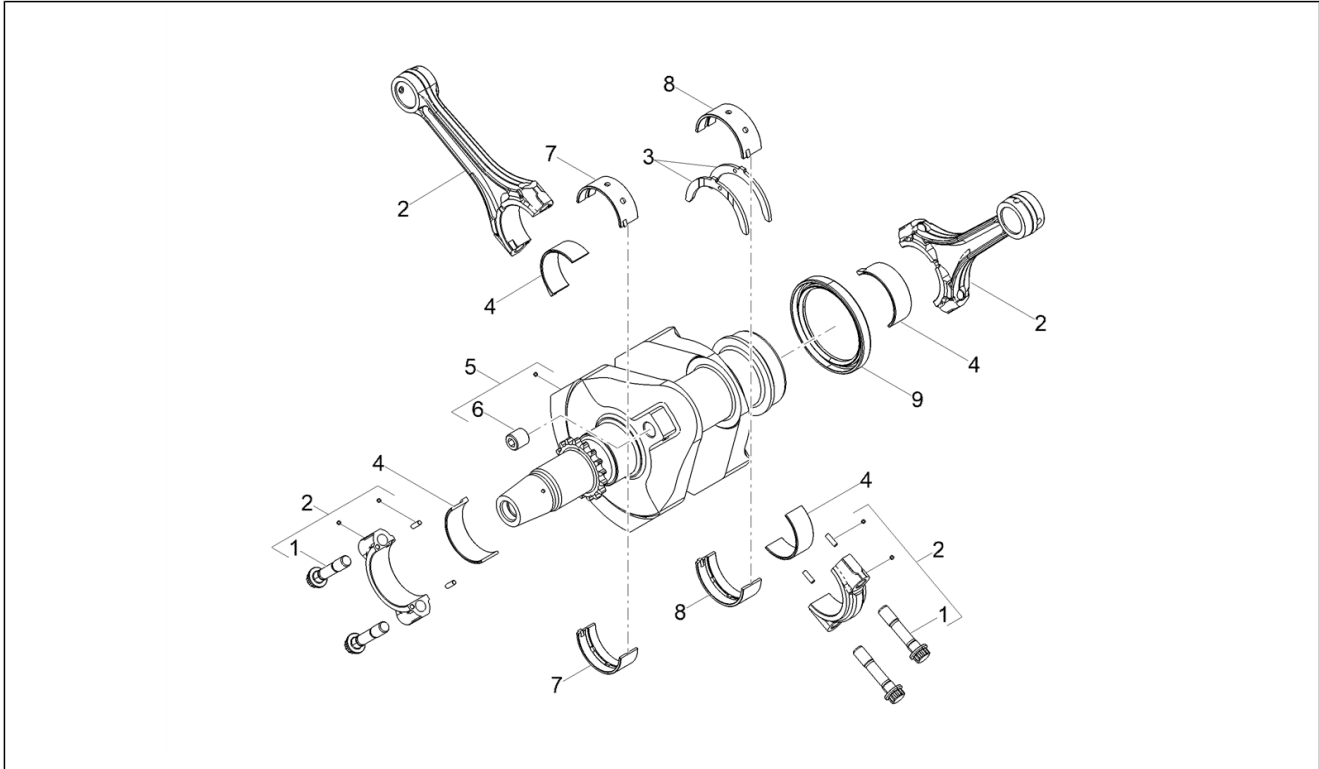
Pos.	Code	Description	Qty	Variants
28	GU10034100	Nut	4	
29	1A018004	Rocker arm intake RIGHT head _ exhaust LEFT head	2	<b>Technical Specification:</b> NEW[NEW]
29	1A0156135	Rocker arm intake RIGHT head _ exhaust LEFT head	2	<b>Technical Specification:</b> OLD[OLD]

<b>Group</b>	Engine
<b>Code</b>	03.150
<b>Description</b>	Cylinder - Piston
<b>Service</b>	1



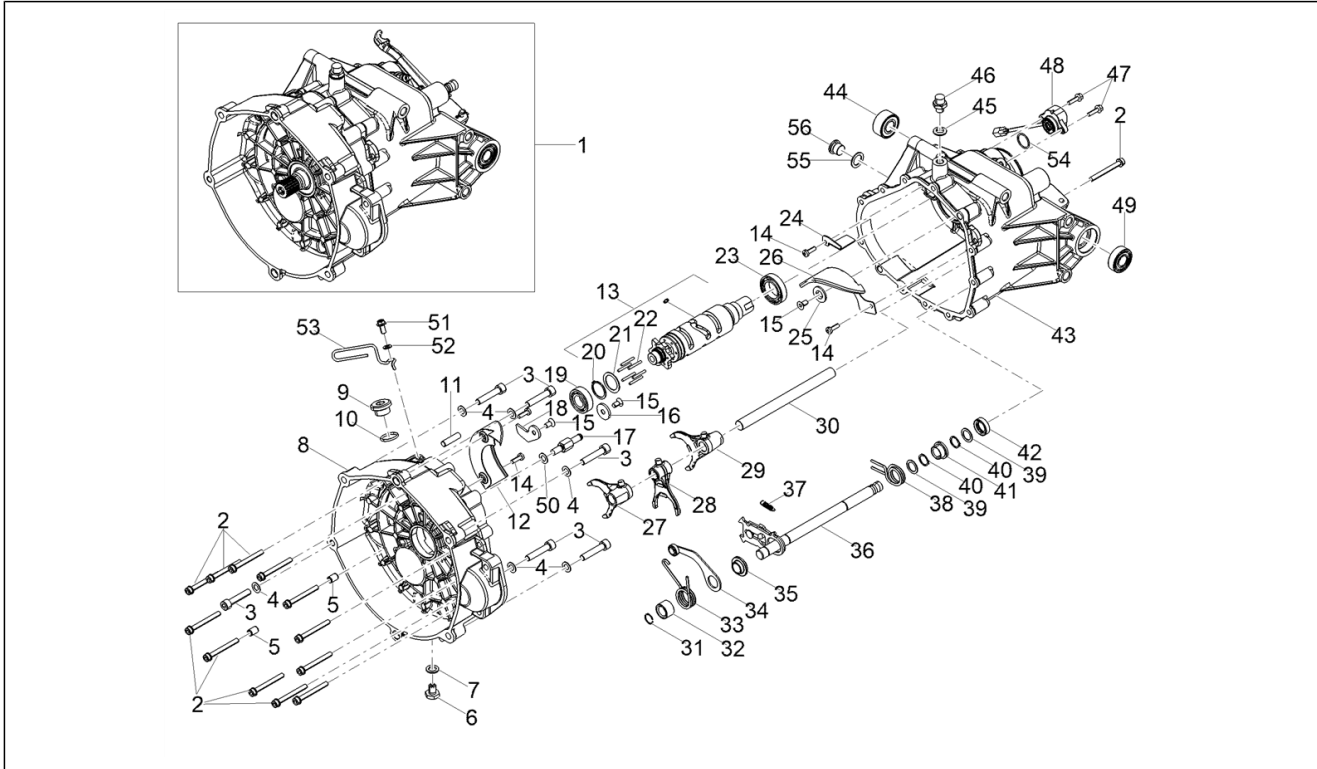
Pos.	Code	Description	Qty	Variants
1	1A0178675	RH Cylinder with piston	1	
2	1A0152720G	Complete piston, cat. G	1	
2	1A0152720H	Complete piston, cat. H	1	
2	1A0152720L	Complete piston, cat. L	1	
2	1A0152720M	Complete piston, cat. M	2	
3	1A013936	Compression ring	2	
4	1A004954	Compression ring	2	
5	1A004955	Oil scraper ring	2	
6	1A011548	Crank pin retainer ring	4	
7	1A008933	Piston pin	2	
8	825597	Calibrated dowel 11,8x10	2	
9	GU19021360	Bushing	2	
10	288245	Self locking nut M6	2	
11	484993	Locating dowel	2	
12	1A010855	Crankcase/cylinder gasket	2	
13	1A0178665	LH Cylinder with piston	1	

<b>Group</b>	Engine
<b>Code</b>	03.160
<b>Description</b>	Crankshaft
<b>Service</b>	1



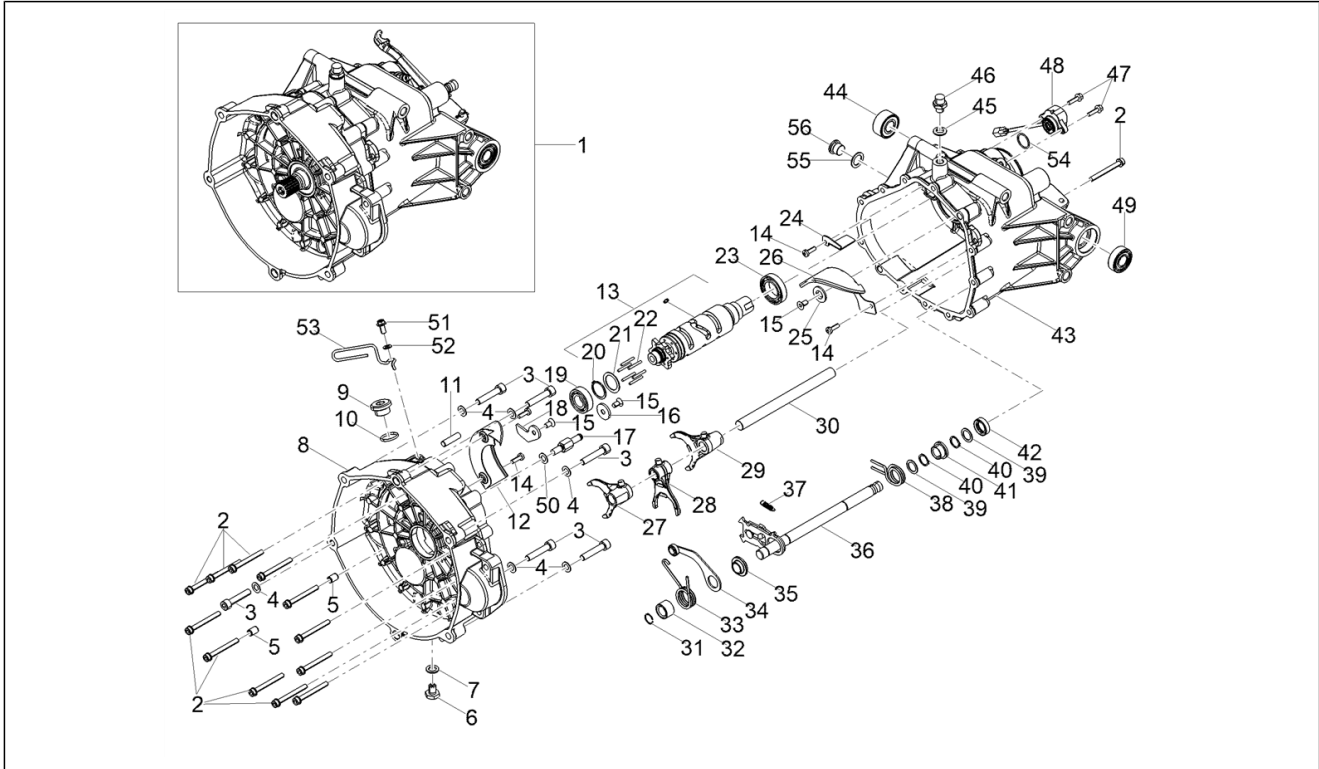
Pos.	Code	Description	Qty	Variants
1	1A008014	Connecting rod screw	4	
2	1A007917E1	Connecting rod, weight class E1	1	
2	1A007917E2	Connecting rod, weight class E2	1	
2	1A007917E3	Connecting rod, weight class E3	1	
2	1A007917E5	Connecting rod, weight class E5	1	
2	1A007917E4	Connecting rod, weight class E4	1	
3	GU27066460	Half-clamp	2	
4	1A0068960R	Connecting rod half-bearing, red	4	
4	1A0068960G	Connecting rod half-bearing, yellow	4	
4	1A0068960B	Connecting rod half-bearing, blue	4	
5	1A017175E3	Crankshaft, weight class E3	1	
5	1A017175E1	Crankshaft, weight class E1	1	
5	1A017175E2	Crankshaft, weight class E2	1	
5	1A017175E4	Crankshaft, weight class E4	1	
5	1A017175E5	Crankshaft, weight class E5	1	
6	1A014668	Plug	1	
7	1A0066680N	Front main half-bearing, black	2	
7	1A0066680G	Front main half-bearing, yellow	2	
7	1A0066680V	Front main half-bearing, green	2	
8	1A0066690V	Rear main half-bearing, green	2	
8	1A0066690N	Rear main half-bearing, black	2	
8	1A0066690G	Rear main half-bearing, yellow	2	
9	1A010753	Oil seal 56x72x8	1	

<b>Group</b>	Engine
<b>Code</b>	03.170
<b>Description</b>	Gear box / Selector / Shift cam
<b>Service</b>	1



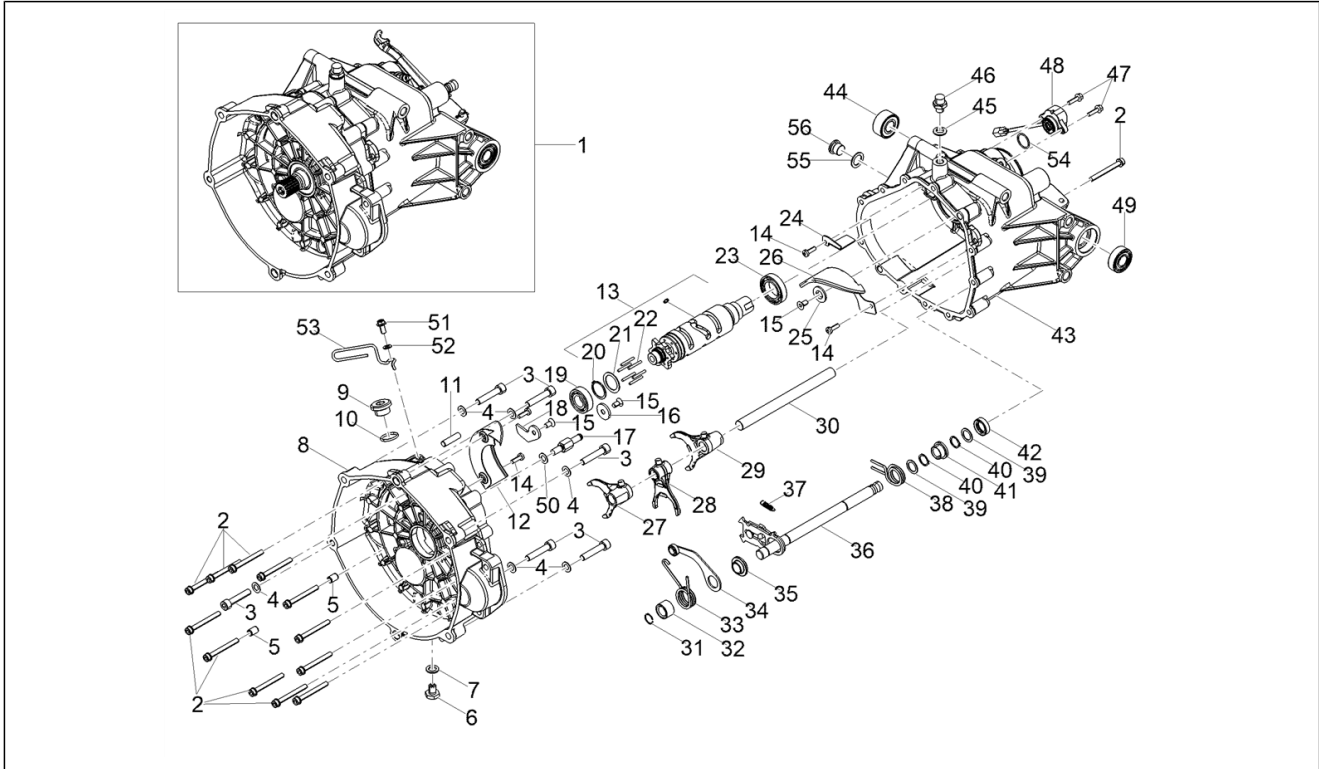
Pos.	Code	Description	Qty	Variants
1	1A0182085	Transmission, assy	1	
2	2A000591	Special hex socket screw M6x55	13	
3	GU98680440	Hex socket screw M8x40	6	
4	658837	Crinkle washer D15 F8,4 S1,5 - INOX	6	
5	GU19002020	Bushing 6,6x9x13	2	
6	GU31003766	Oil unload plug M10x1	1	
7	GU10528900	Gasket	1	
8	2A0011325	Clutch drum	1	
9	GU12022600	Oil plug	1	
10	GU90706203	O-ring 20,24x2,62	1	
11	B064079	Threaded pin	1	
12	2A001022	Oil separator	1	
13	2A000991	Shift cam cpl.	1	Technical Specification:OLD[OLD]
13	2A001047	Shift cam cpl.	1	Technical Specification:NEW[NEW]
14	2A000241	Screw M5x16	4	
15	B013608	Countersunk screw with hexagon socket	4	
16	873928	Washer	1	
17	2A001139	Set screw	1	
18	2A001006	Plate	1	
19	834764	Bearing	1	
20	GU90271022	Circlip	1	
21	GU05235531	Tickness	1	
22	2A000938	Pin	6	
23	857250	Ball bearing 25x42x9	1	
24	2A001018	Plate	1	
25	2A001013	Countersunk washer	1	
26	2A001025	Oil separator	1	
27	2A000225	Fork for secondary shaft	1	

<b>Group</b>	Engine
<b>Code</b>	03.170
<b>Description</b>	Gear box / Selector / Shift cam
<b>Service</b>	1



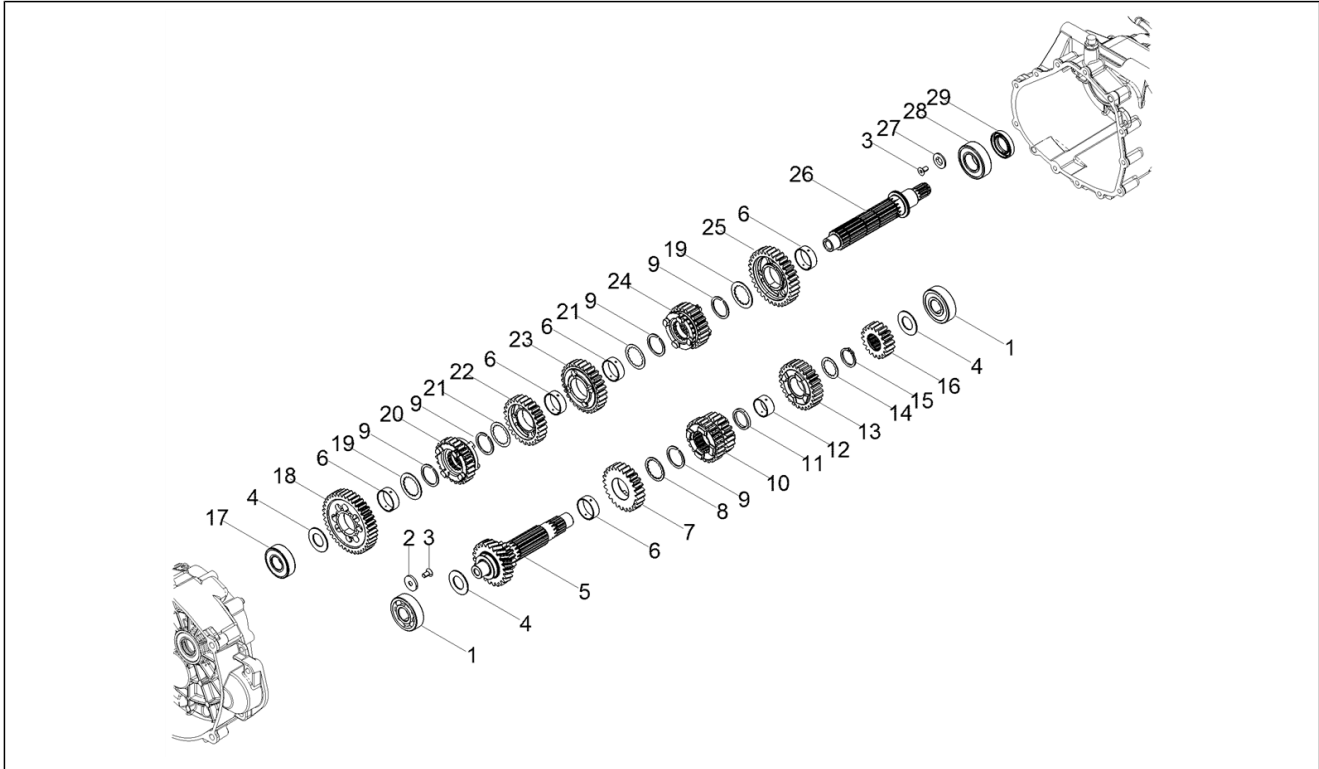
Pos.	Code	Description	Qty	Variants
28	2A000832	5-6 gear fork	1	
29	2A000226	Fork 2-3 speed	1	
30	2A000224	Rod	1	
31	GU90353014	Circlip	1	
32	GU05234230	Spacer	1	
33	B064113	Index spring	1	
34	B064112	Index assy. lever	1	
35	GU05238431	Bushing	1	
36	1A018912	Preselection complete	1	
37	GU05238231	Spring	1	
38	B063956	Spring	1	
39	GU05239330	Fifth wheel	1	
40	GU90271014	Circlip	1	
41	2A000467	Spacer	1	
42	GU90401424	Oil seal 14x24x7	1	
43	1A0181805	Transmission cage	1	
44	2A000981	Ball bearing 3202-2RSH/C3	1	
45	GU01528930	Gasket 10x18x1,5	1	
46	2A000823	Breather plug	1	
47	1A003001	Flanged hexagon screw	2	
48	1A018096R	Gear position sensor	1	
49	2A000097	Ball bearing 6202-2RSH/C3 LHT23	1	
50	2A001050	Flat washer	1	
51	AP8152277	Flanged hexagon screw M6x12	1	
52	GU95008206	Washer 6,15x11x0,8	1	
53	2B001138	Fairlead	1	
54	857494	O-ring	1	
55	287174	Copper gasket	1	

<b>Group</b>	Engine
<b>Code</b>	03.170
<b>Description</b>	Gear box / Selector / Shift cam
<b>Service</b>	1



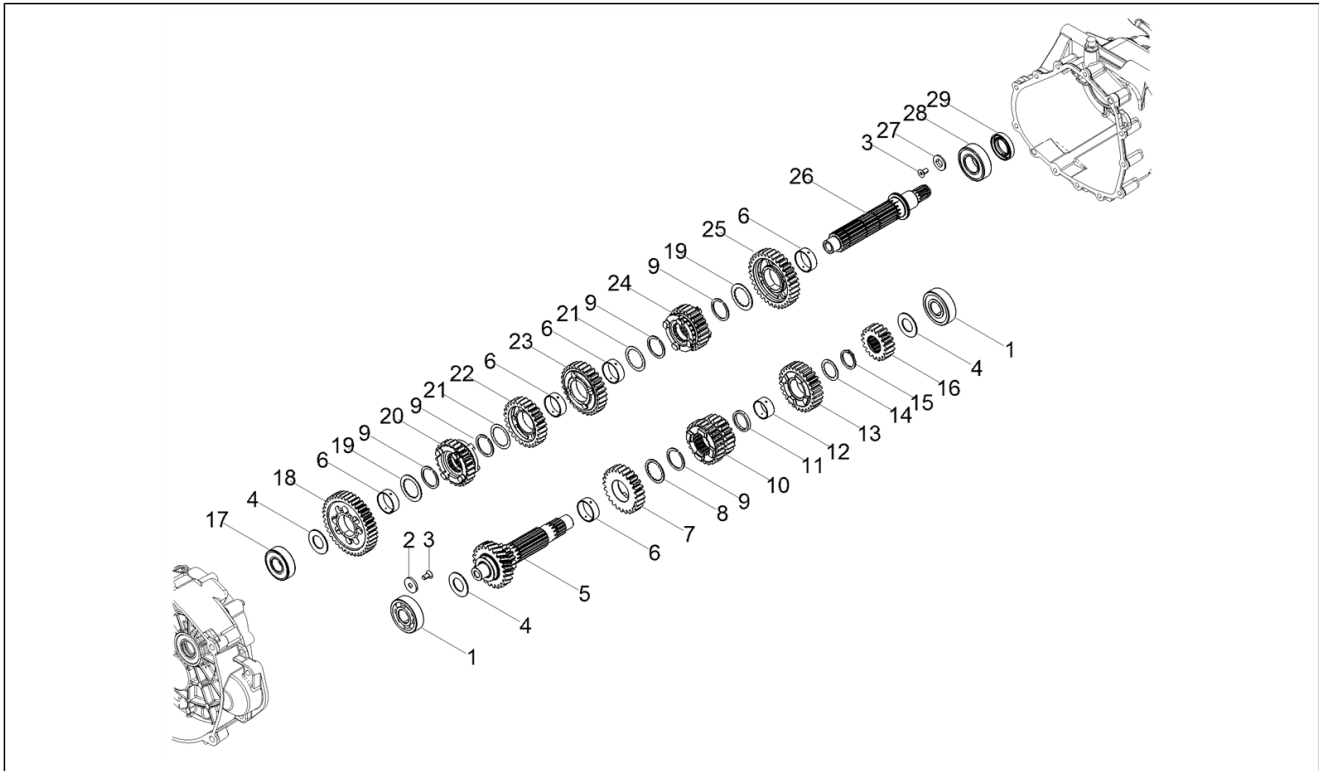
Pos.	Code	Description	Qty	Variants
56	1A015068	Cover	1	

<b>Group</b>	Engine
<b>Code</b>	03.180
<b>Description</b>	Gear box - Gear assembly
<b>Service</b>	1



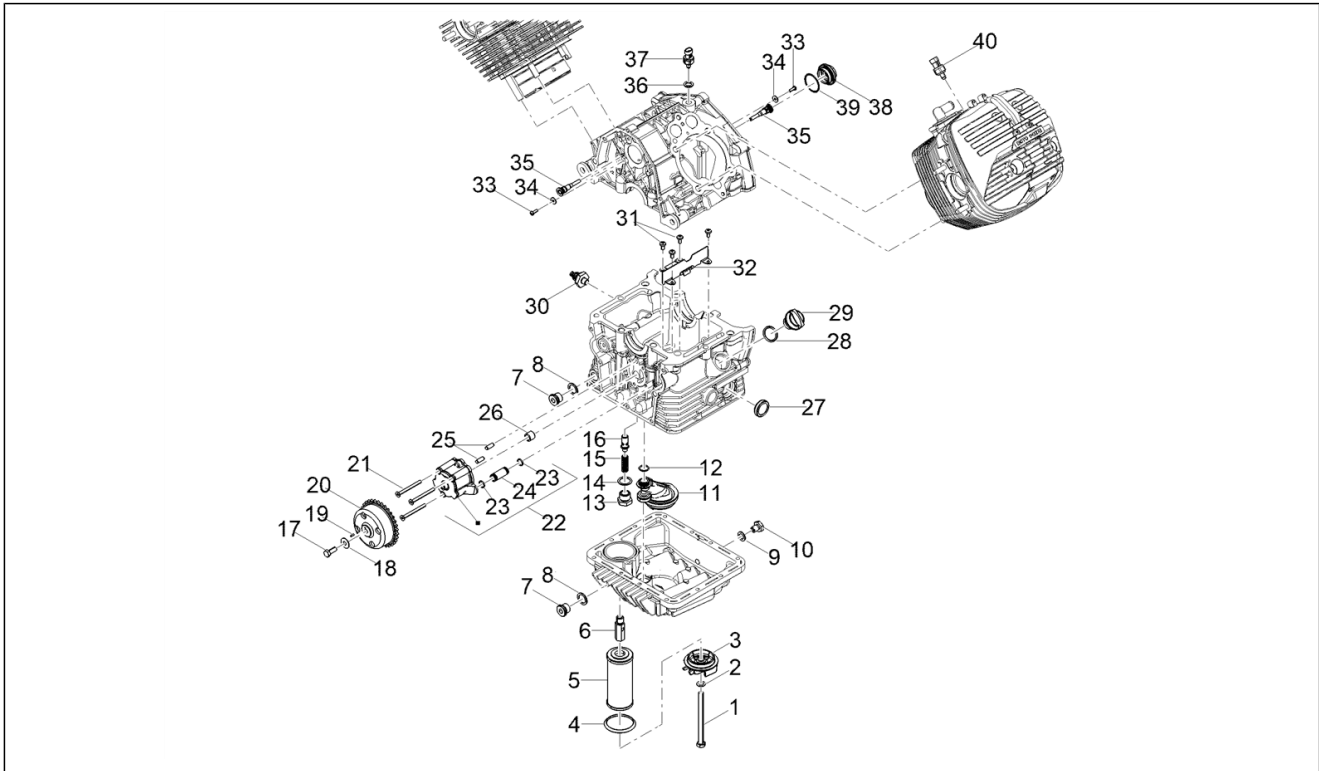
Pos.	Code	Description	Qty	Variants
1	GU92201822	Ball bearing 20x52x15	2	
2	873928	Washer	1	
3	B013608	Countersunk screw with hexagon socket	2	
4	1A000566	Thrust washer	3	
5	2A001002	Primary gear shaft	1	
6	849308	Moveable bush	5	
7	1A000360	Fifth speed gear	1	
8	849424	Clearance washer	1	
9	1A002604	Shaft snap ring	5	
10	1A000436	Sliding pinion 3a - 4a vel.	1	
11	B015040	Thrust washer	1	
12	974162	Moveable bush	1	
13	1A000361	6th pinion gear	1	
14	849396	Clearance washer	1	
15	974165	Snap ring	1	
16	1A000365	2nd pinion gear	1	
17	2A001011	Bearing 20x47x14	1	
18	2A000988	1st speed gear	1	
19	849309	Clearance washer	2	
20	2A000989	Fifth speed gear	1	
21	849310	Clearance washer	2	
22	1A000368	Fourth speed gear Z=26	1	
23	1A000367	Third speed gear Z=28	1	
24	1A000370	Gear 6a Z=24	1	Technical Specification:OLD[OLD]
24	2A000947	Gear 6a	1	Technical Specification:NEW[NEW]
25	1A000366	Second speed gear Z=32	1	Technical Specification:OLD[OLD]
25	2A000948	2nd speed gear on transmission shaft	1	Technical Specification:NEW[NEW]
26	2A000998	Secondary gearbox shaft	1	

<b>Group</b>	Engine
<b>Code</b>	03.180
<b>Description</b>	Gear box - Gear assembly
<b>Service</b>	1



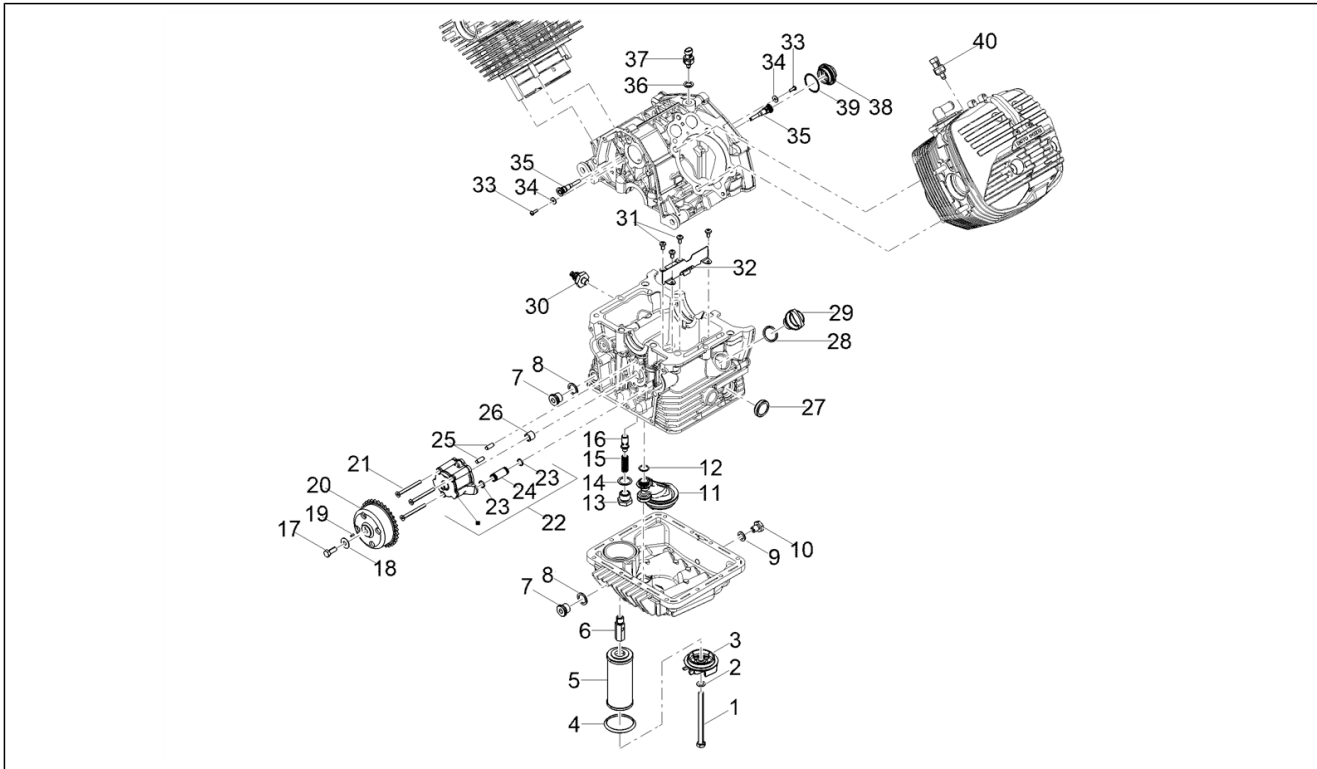
Pos.	Code	Description	Qty	Variants
27	2A001013	Countersunk washer	1	
28	GU92201226	Ball bearing 25x52x15	1	
29	873931	Oil seal 40x25x7	1	

<b>Group</b>	Engine
<b>Code</b>	03.190
<b>Description</b>	Lubrication
<b>Service</b>	1



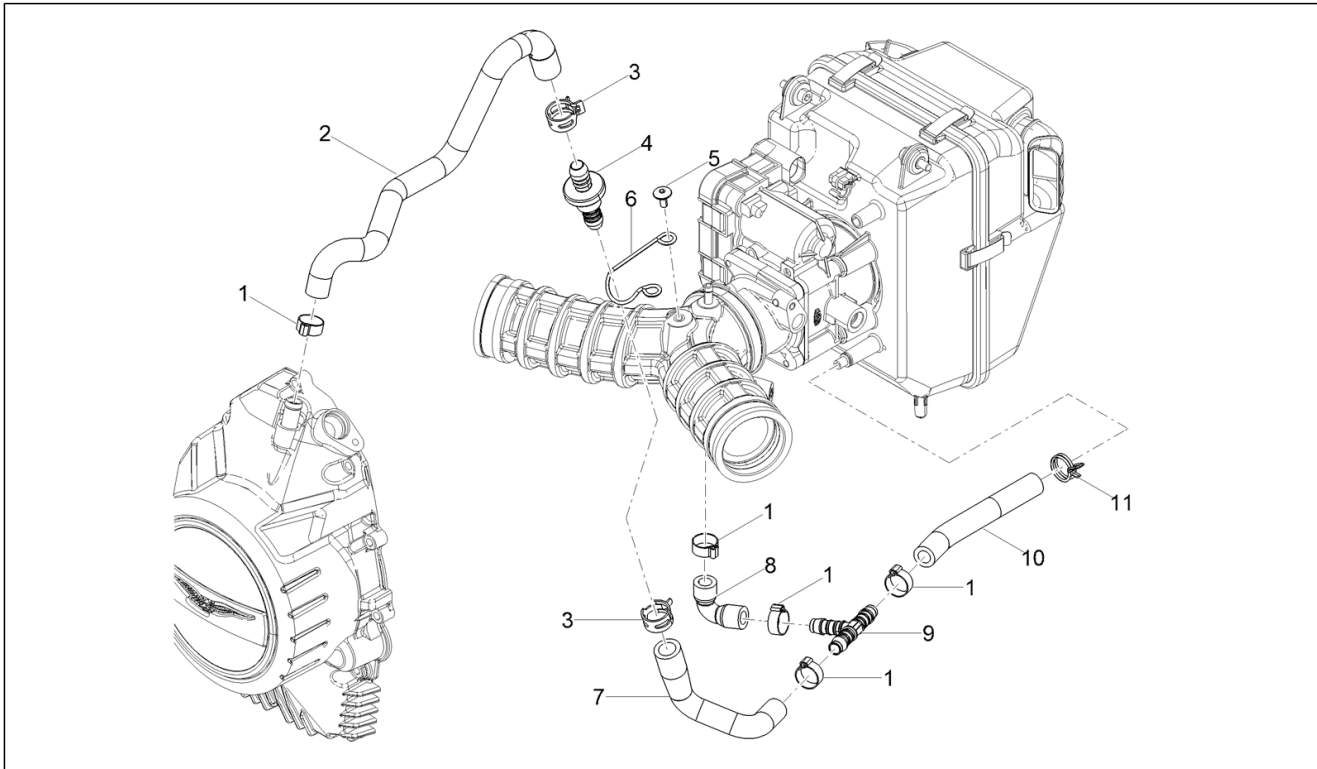
Pos.	Code	Description	Qty	Variants
1	GU27152885	Bolt	1	
2	GU12154200	Washer 8,25x15x1	1	
3	1A013815	Oil filter cover	1	
4	GU90706444	O-ring	1	
5	2A000633	Oil filter	1	
6	GU19003800	Joint	1	
7	1A015068	Cover	2	
8	287174	Copper gasket	2	
9	GU10528900	Gasket	1	
10	GU31003766	Oil unload plug M10x1	1	
11	1A004549	Oil strainer	1	
12	237553	O-ring	1	
13	GU31159050	Cover	1	
14	GU18144350	Washer 18,25x24x1	1	
15	GU94321079	Spring	1	
16	1A014844	Oil pressure adjusting valve	1	
17	1A014410	M7x18 pre-coated hex head screw	1	
18	1A014411	Belleville spring	1	
19	GU92296723	Roller	1	
20	1A015490	Oil pump gear	1	
21	1A008533	Countersunk-head screw M5x55	3	
22	1A015236	Oil pump assembly	1	
23	1A008325	Seal ring (o-ring)	2	
24	1A008291	Hose union	1	
25	GU19018920	Locating dowel	2	
26	976168	Drawn cap 10x14x12	1	
27	485693	Oil level indicator	1	
28	1A014908	Seal ring (o-ring)	1	

<b>Group</b>	Engine
<b>Code</b>	03.190
<b>Description</b>	Lubrication
<b>Service</b>	1



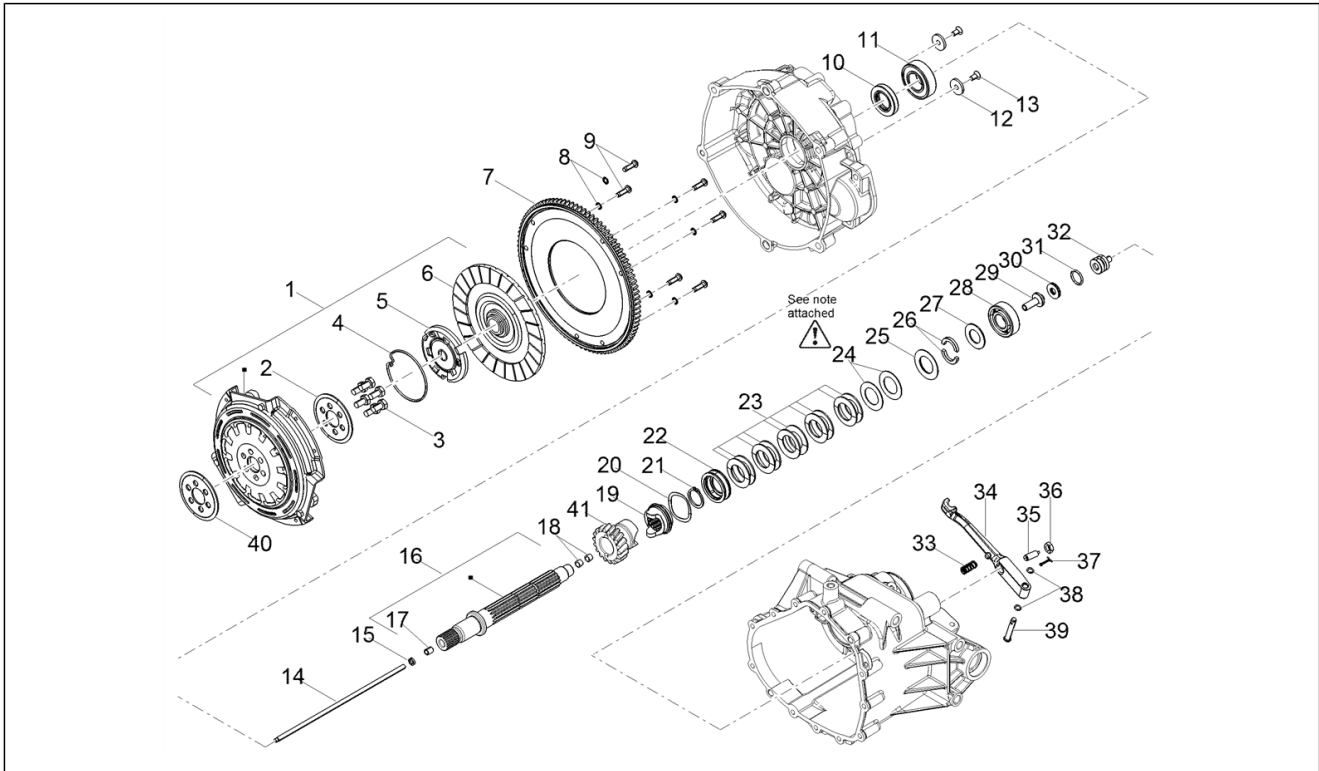
Pos.	Code	Description	Qty	Variants
29	1A015819	Oil load plug	1	
30	1A017929	Minimum oil pressure sensor	1	
31	1A003111	Cross head cylinder head screw M5x10	4	
32	1A008566	Panel	1	
33	1A005257	Oval head screw torx	2	
34	013763	Flat washer 4,2x12x1	2	
35	1A004442	Piston cooling jet	2	
36	GU95100309	Washer	1	
37	1A023829	Oil temperature sensor	1	
38	B015598	Cover	1	
39	1A016739	Gasket 31,47x1,78	1	
40	1A023829	Oil temperature sensor	1	

<b>Group</b>	Engine
<b>Code</b>	03.196
<b>Description</b>	Blow-by system
<b>Service</b>	1



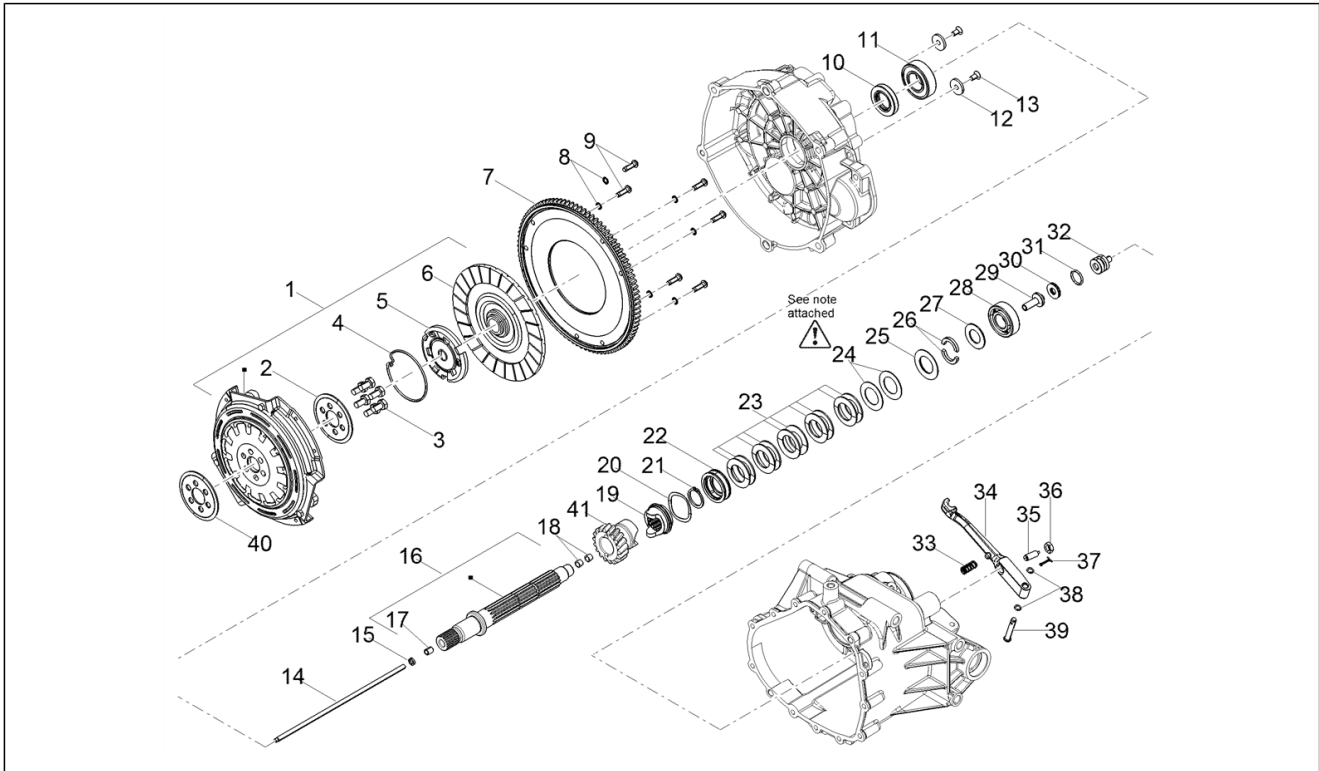
Pos.	Code	Description	Qty	Variants
1	AP8102349	White hose clip D17,5x8	5	
2	2B005445	Blow-by pipe	1	
3	CM226902	Spring clamp 19/12	2	
4	2B003105	Anti-return valve	1	
5	AP8150500	Hex socket screw M5x9 NERINOX	1	
6	AP8114502	Fastener cable	1	
7	2B006204	Blow-by pipe	1	
8	2B006203	Blow-by pipe	1	
9	2B0061249	Tee union	1	
10	2B006205	Blow-by pipe	1	
11	CM002912	Hose clamp	1	

<b>Group</b>	Engine
<b>Code</b>	03.230
<b>Description</b>	Clutch
<b>Service</b>	1



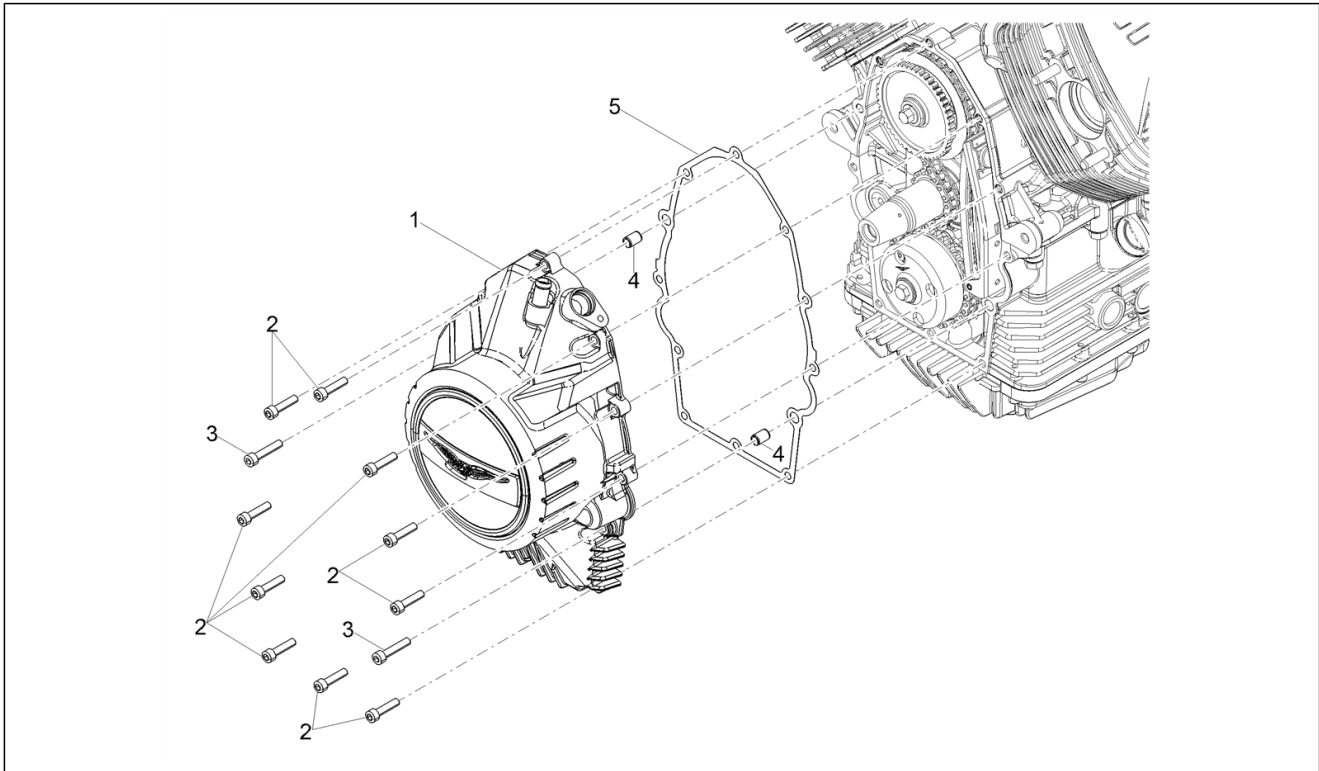
Pos.	Code	Description	Qty	Variants
1	2A000968	Single-plate clutch	1	
2	2A000741	Support	1	
3	GU19067700	screw	6	
4	2A000418	Ring	1	
5	2A000638	Spring cap	1	
6	2A000969	Driven clutch disc	1	
7	2A000529	Starter ring gear	1	
8	GU14217901	Washer 6,4x10x0,7	6	
9	2B004560	M6x20 pre-coated hex head screw	6	
10	2A001004	Oil seal	1	
11	GU92201226	Ball bearing 25x52x15	1	
12	873928	Washer	3	
13	B013608	Countersunk screw with hexagon socket	3	
14	2A000216	Drive rod	1	
15	2A000378	Oil seal	1	
16	2A001008	Clutch shaft	1	
17	GU05217630	Bushing	1	
18	GU14085900	Bush	2	
19	2A000812	Hose	1	
20	2A000818	WAVE WASHER	1	
21	974165	Snap ring	1	
22	2A000813	Pressure plate	1	
23	2A000816	Belleville spring	10	
24	2A001054	Washer	2	
25	2A000817	SPRING RETAINER	1	
26	B063977	Half ring	2	
27	1A000566	Thrust washer	1	
28	2A001035R	Ball bearing 20x47x14	1	

<b>Group</b>	Engine
<b>Code</b>	03.230
<b>Description</b>	Clutch
<b>Service</b>	1



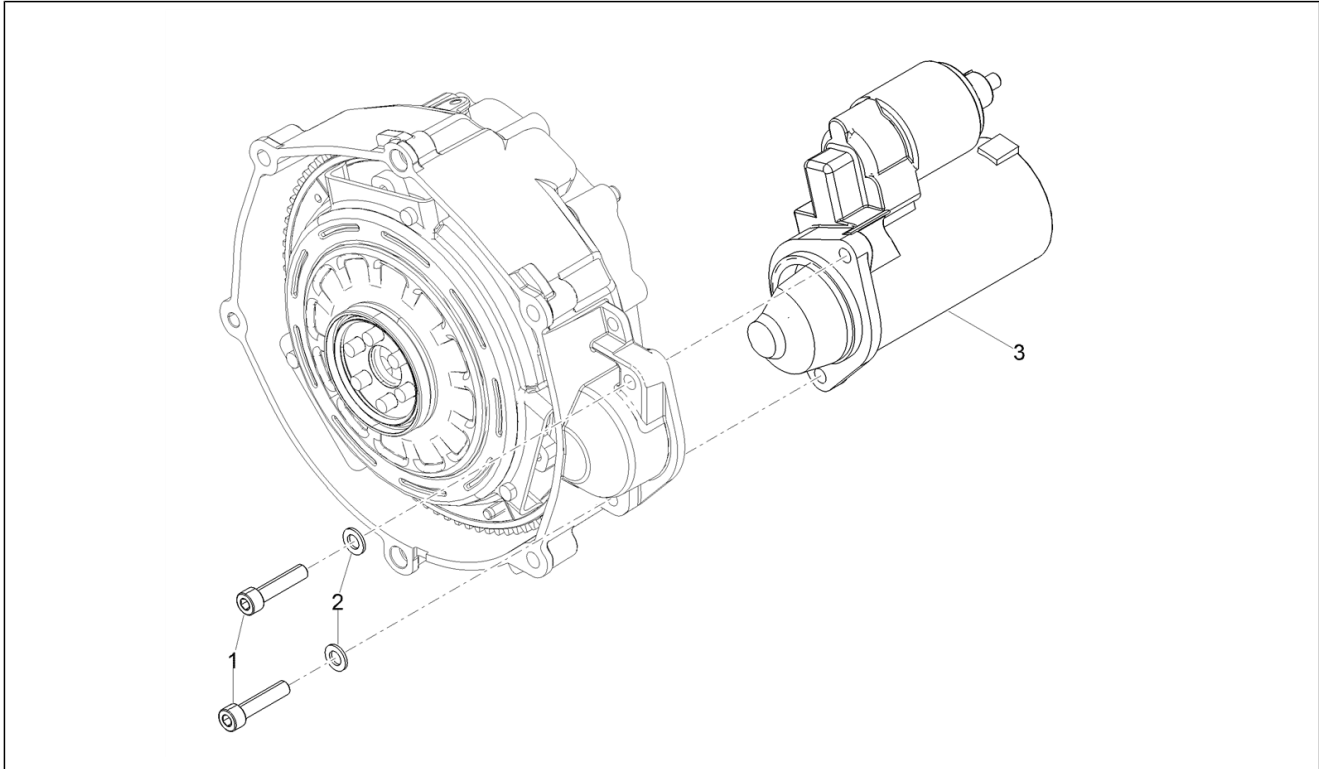
Pos.	Code	Description	Qty	Variants
29	B013037	Clutch gear	1	
30	2A000376	Thrust bearing	1	
31	GU90706170	O-ring 17,13x2,62	1	
32	GU14086100	Outer body	1	
33	GU94321105	Lever return spring	1	
34	2A000631	Clutch release shaft	1	
35	2A000838	Adjuster screw	1	
36	GU92606508	Nut	1	
37	GU95500222	Split pin	1	
38	2A000385	O-ring 6.5x1.5	2	
39	2A000384	Lever pin	1	
40	1A009630	Clutch plate	1	
41	2A000901	ENGINE GEAR	1	

<b>Group</b>	Engine
<b>Code</b>	03.270
<b>Description</b>	Flywheel cover
<b>Service</b>	1



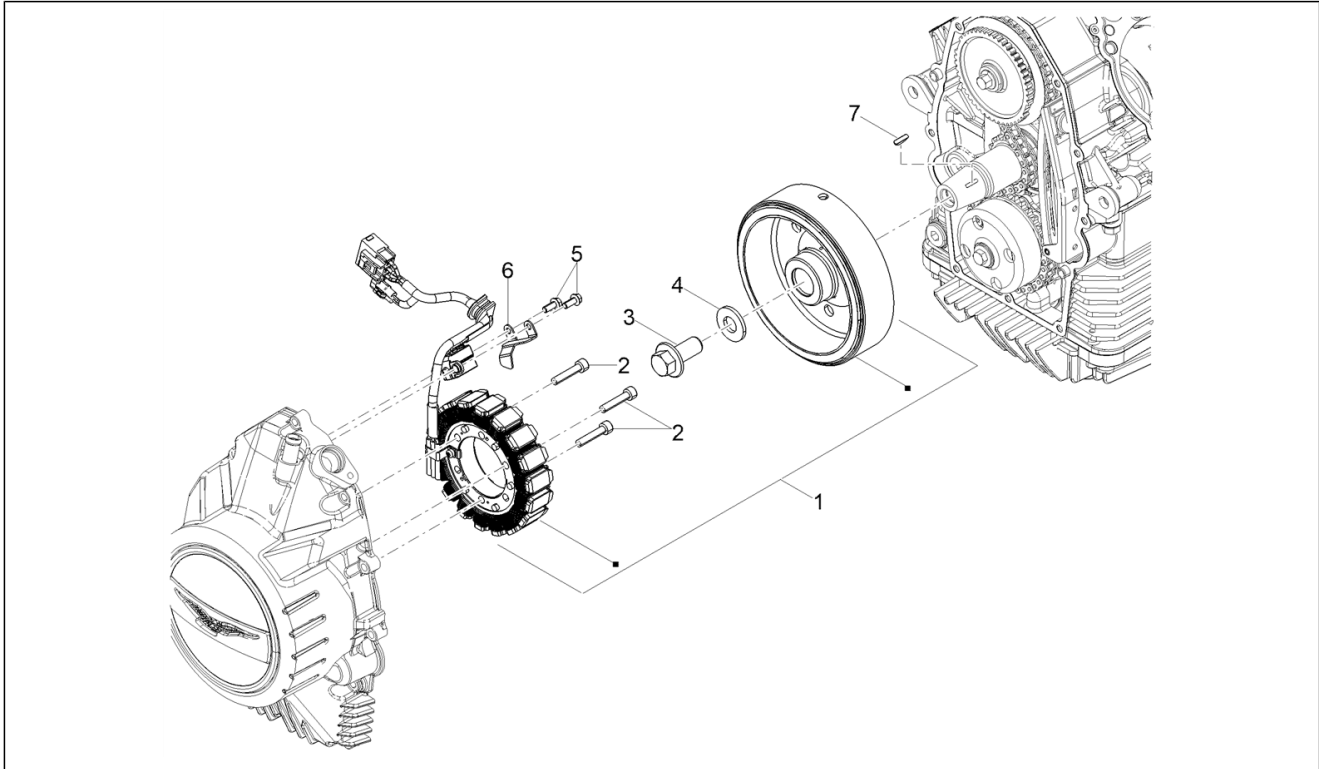
Pos.	Code	Description	Qty	Variants
1	1A017002	Cover	1	
2	GU98682325	Hex socket screw M6x25	10	
3	GU98682330	Hex socket screw M6x20	2	
4	GU19002020	Bushing 6,6x9x13	2	
5	887003	Cover gasket	1	

<b>Group</b>	Engine
<b>Code</b>	03.290
<b>Description</b>	Starter / Electric starter
<b>Service</b>	1



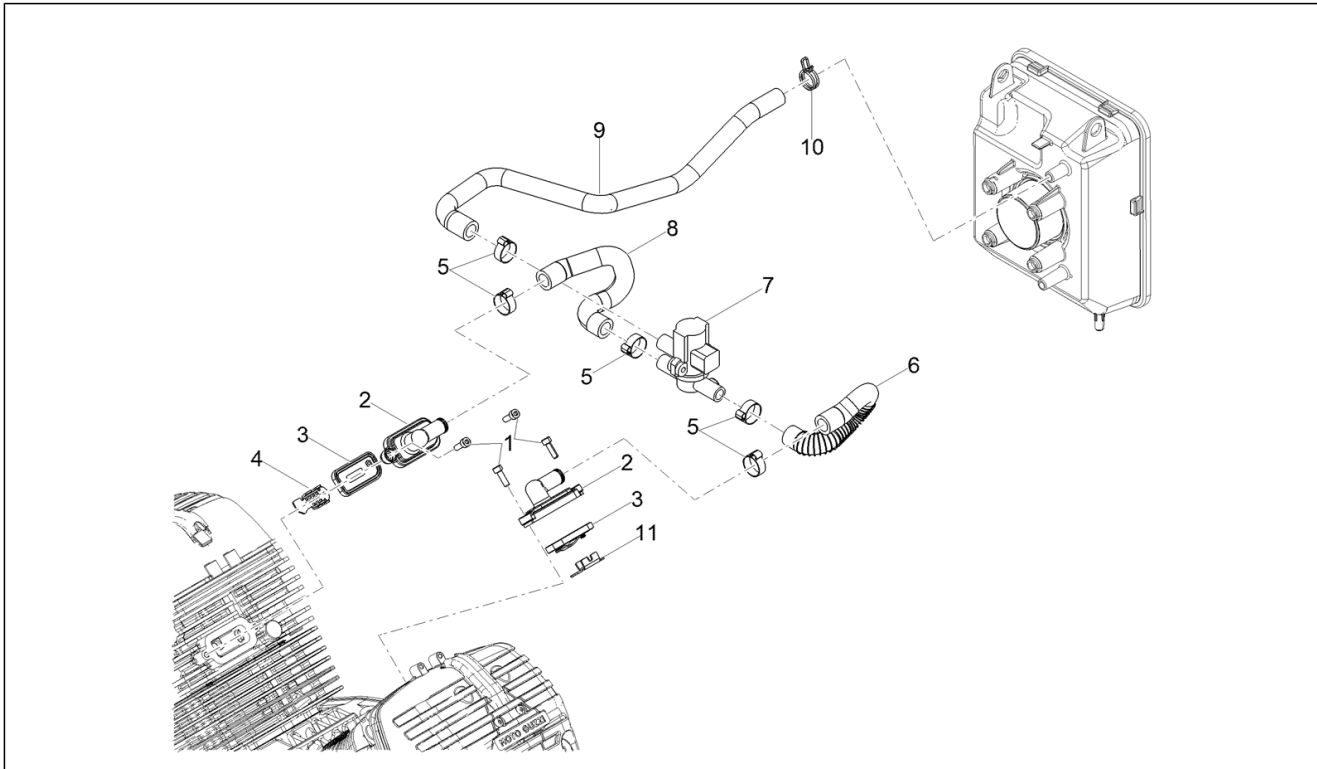
Pos.	Code	Description	Qty	Variants
1	GU98682435	Hex socket screw	2	
2	GU95008208	Washer 8,4X15X1,5	2	
3	97729R	Starter motor	1	

<b>Group</b>	Engine
<b>Code</b>	03.300
<b>Description</b>	Cdi magneto assy / Ignition unit
<b>Service</b>	1



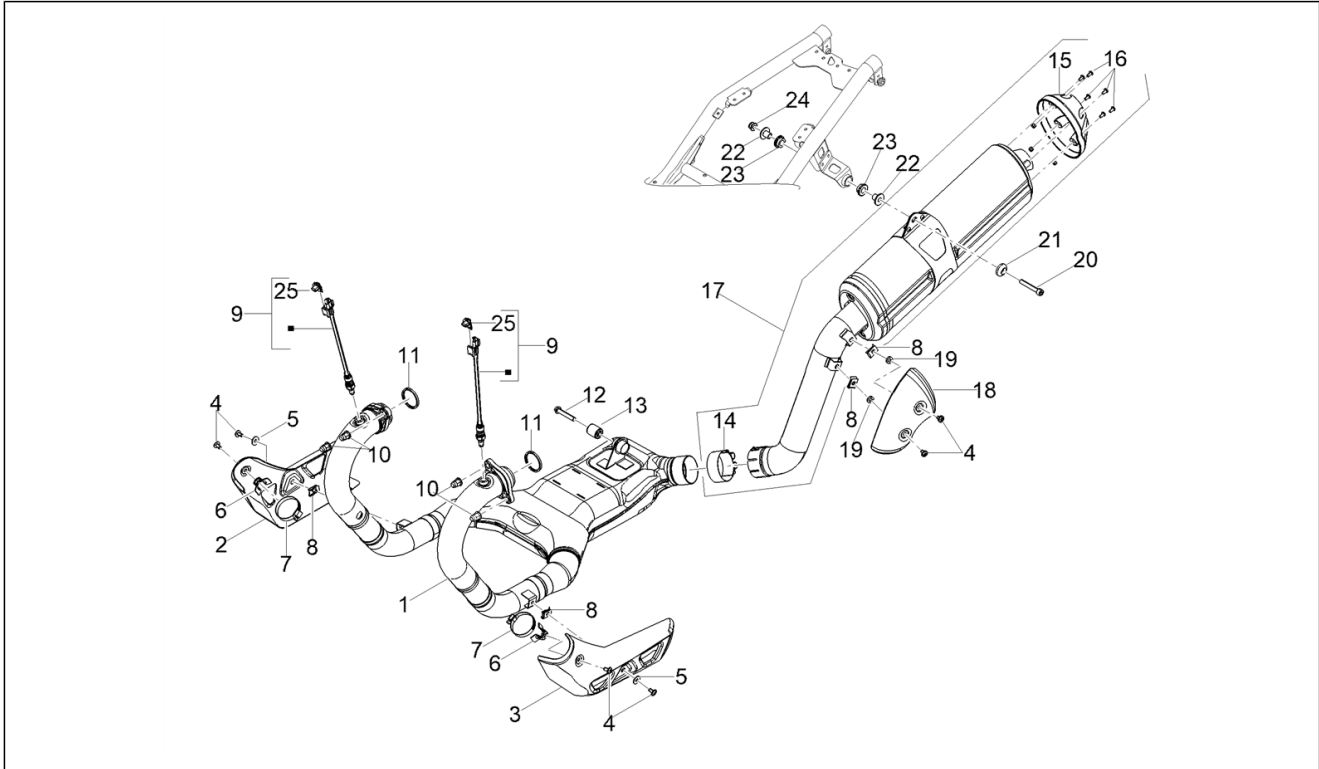
Pos.	Code	Description	Qty	Variants
1	1A016500	Complete magneto flywheel	1	
2	GU98682330	Hex socket screw M6x20	3	
3	B015563	Screw w/ flange M14x30	1	
4	825725	Flat washer 14.1x30x3	1	
5	1A015041	Screw m5x12 torx	2	
6	1A014626	Plate	1	
7	000267	Untapered key	1	

<b>Group</b>	Engine
<b>Code</b>	03.320
<b>Description</b>	Secondary air
<b>Service</b>	1



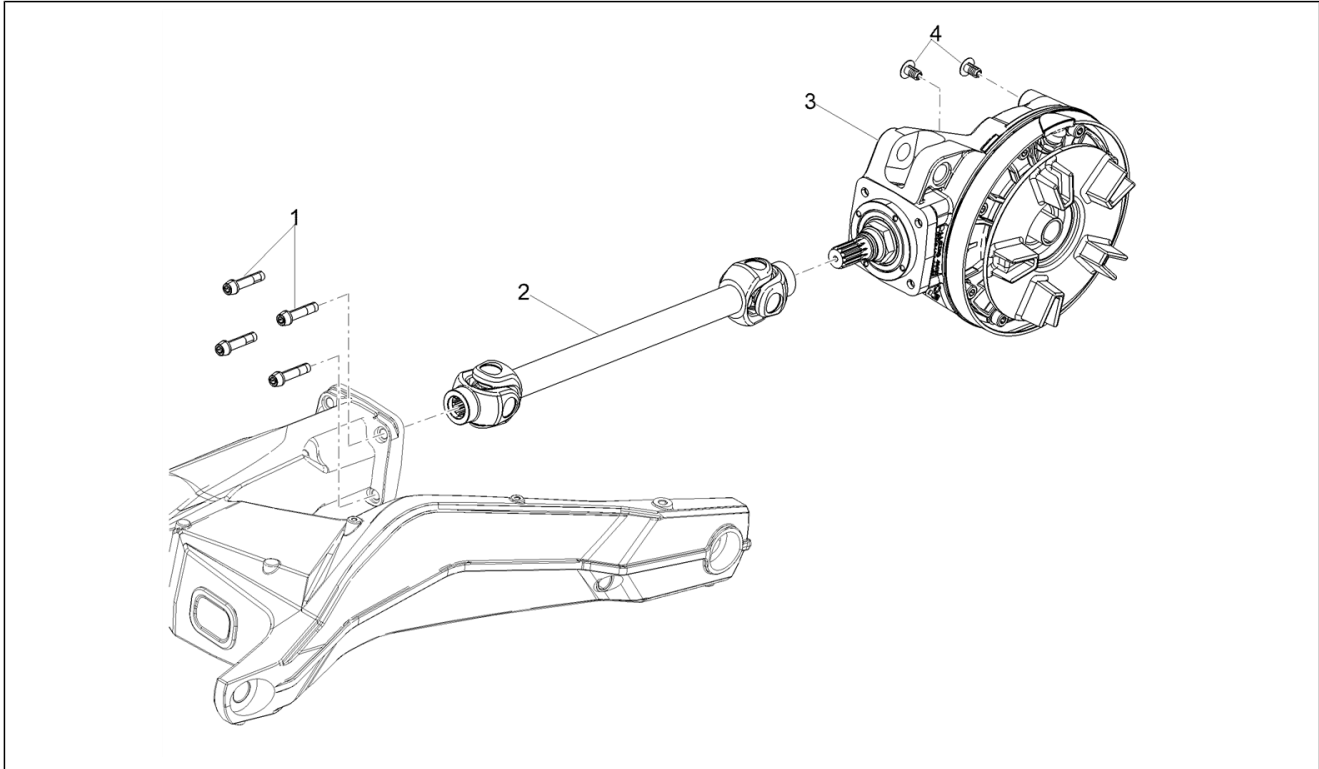
Pos.	Code	Description	Qty	Variants
1	GU98612216	Hex socket screw	4	
2	1A017801	Cover	2	
3	857045	Reed valve	2	
4	857047	Spark arrester	1	
5	AP8102786	Hose clip 20x8	5	
6	2B005159	LH pipe SAS	1	
7	857181	SAS valve	1	
8	2B005158	RH pipe SAS	1	
9	2B005157	Filter box pipe	1	
10	CM002912	Hose clamp	1	
11	857046	Spark arrester	1	

<b>Group</b>	Engine
<b>Code</b>	03.330
<b>Description</b>	Silencer
<b>Service</b>	1



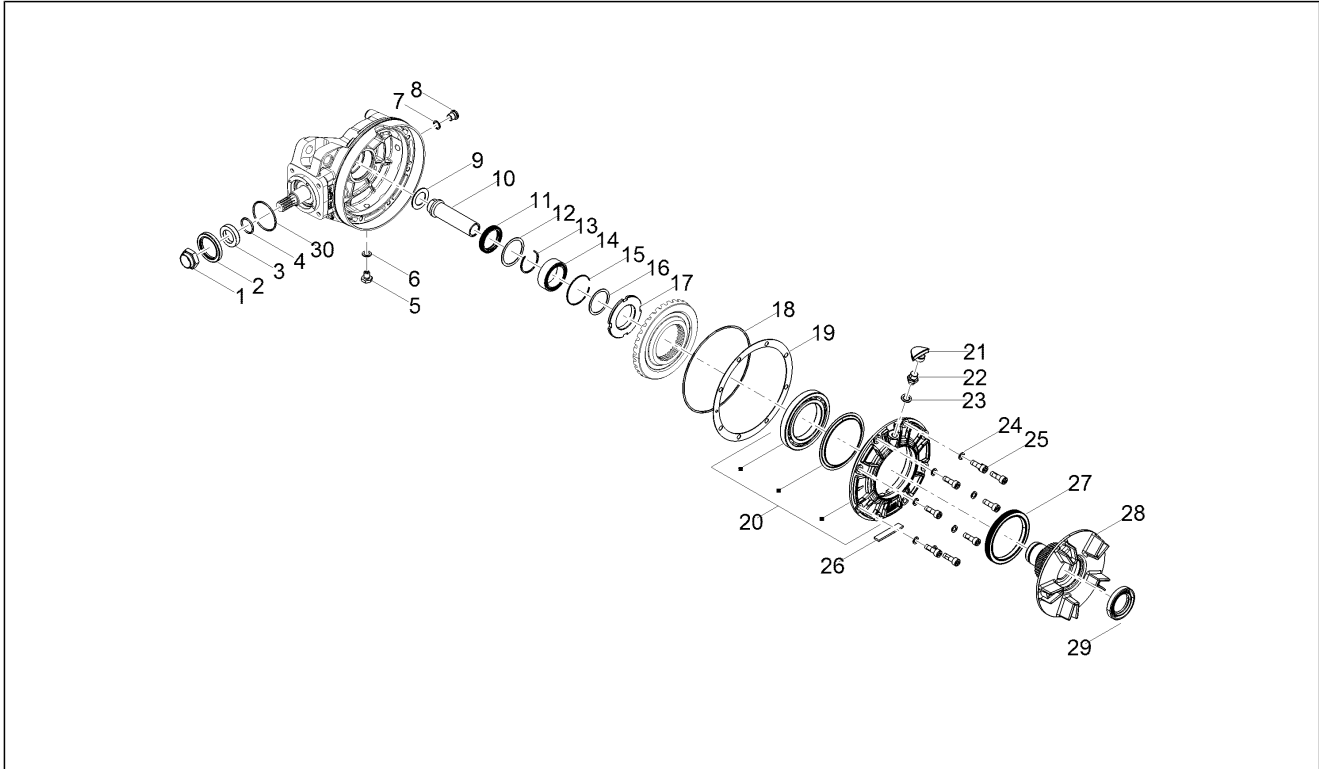
Pos.	Code	Description	Qty	Variants
1	2B008769	Exhaust manifold	1	
2	2B007640	RH heat shield protection	1	
3	2B007641	LH heat shield protection	1	
4	884043	Screw w/ flange M6x12	6	
5	AP8150378	Washer 6,4x18x2	2	
6	2B007532	U bolt	2	
7	1A000833	Hose clamp Ø32-50	2	
8	254485	Spring plate M6	4	
9	1A014335	Lamda sensor	2	
10	2B007821	Cap nut M8	4	
11	852090	Exhaust pipe gasket	2	
12	AP8152291	Screw w/ flange	1	
13	00H02201731	Silent-block	1	
14	2B006401	Hose clamp	1	
15	2B005175	Bottom	1	
16	2B007535	Torx convex big end screw M5x10 A2-70	6	
17	2B008574	Silencer	1	
18	2B005537	Silencer protection	6	
19	876879	Spacer	2	
20	2B004771	Screw TCEI M8x50	1	
21	AP8134378	Bush Fixing	1	
22	AP8121332	Bush	2	
23	AP8144558	Rubber spacer	2	
24	AP8152300	Self-locking nut M8	1	
25	1A015201	Clip	2	

<b>Group</b>	Engine
<b>Code</b>	03.340
<b>Description</b>	Rear transmission
<b>Service</b>	1



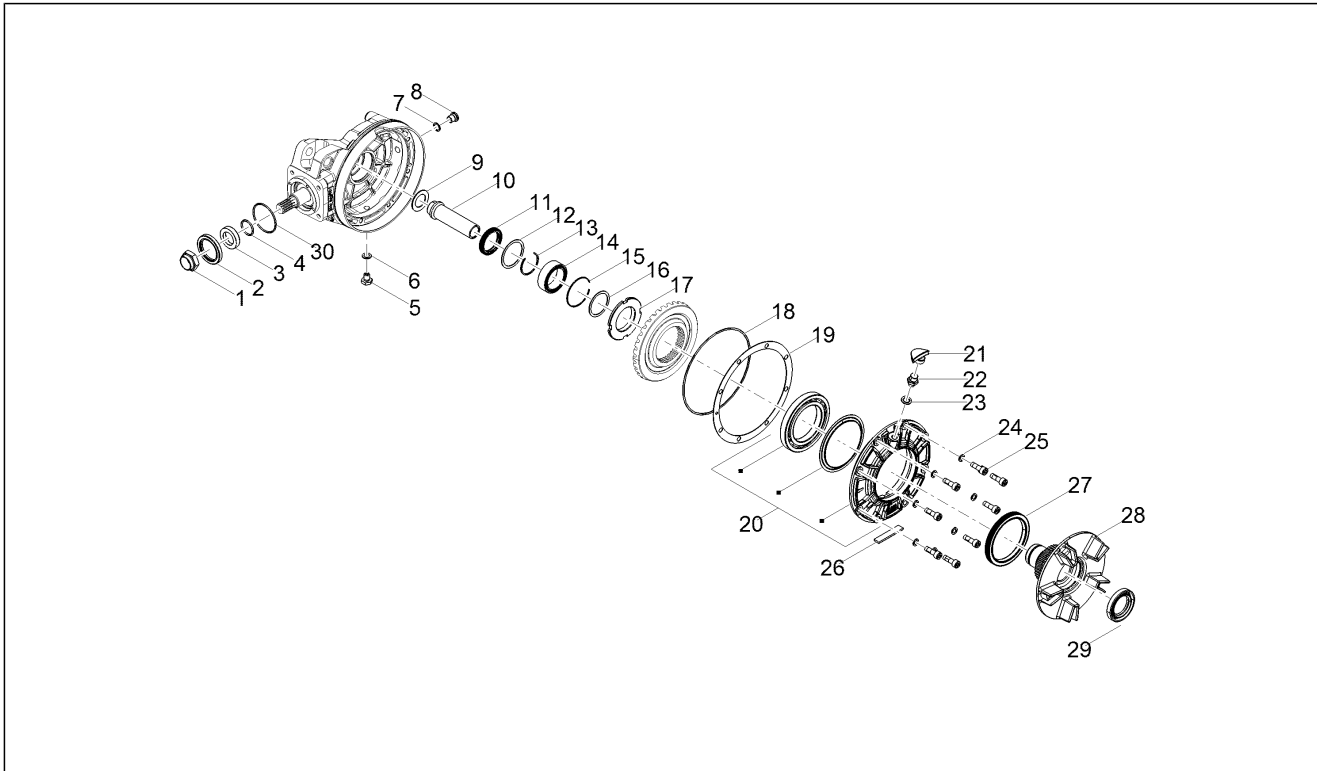
Pos.	Code	Description	Qty	Variants
1	2B002699	Torx M8x35 cap screw with pre-coated collar	4	
2	2B004338	Drive shaft	1	
3	2B0068275	Complete transmission	1	
4	AP8102600	Cover	2	

<b>Group</b>	Engine
<b>Code</b>	03.350
<b>Description</b>	Rear transmission / Components
<b>Service</b>	1



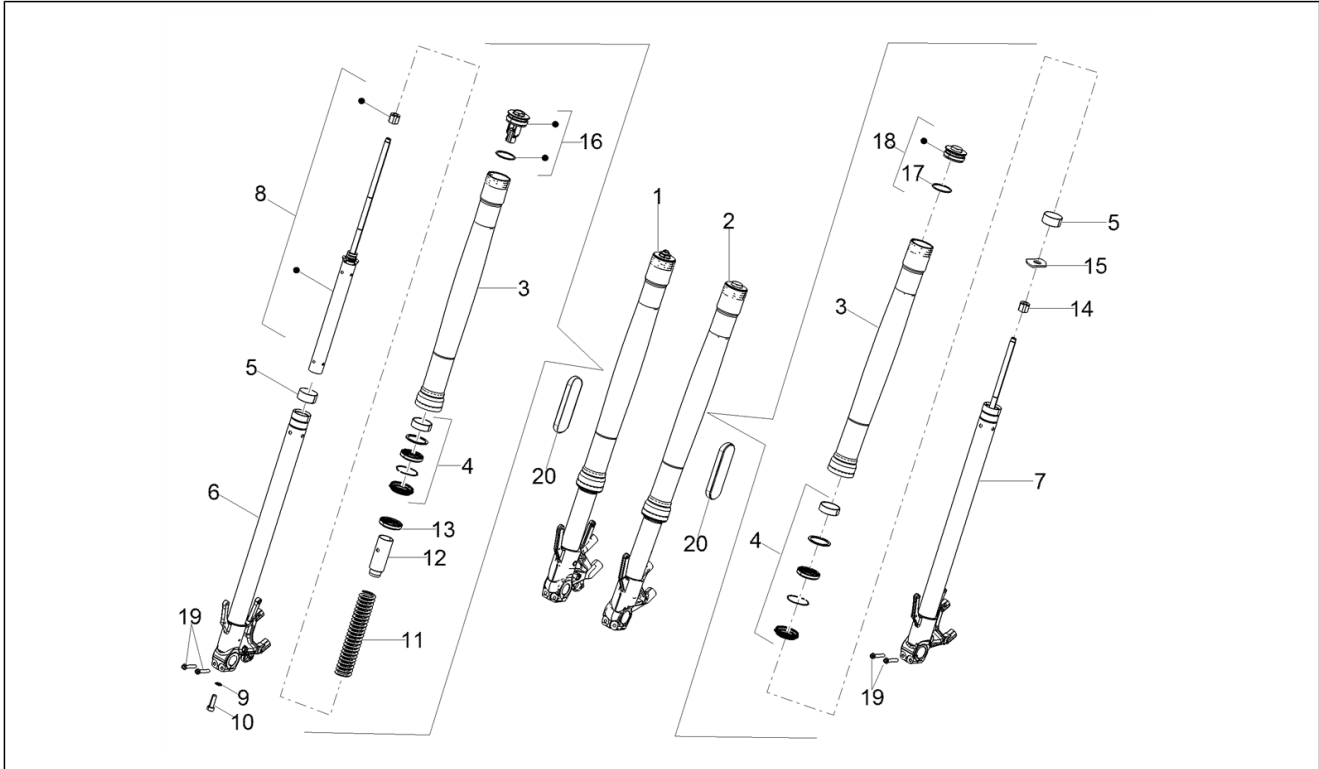
Pos.	Code	Description	Qty	Variants
1	2B005012	Nut	1	
2	2B000404	Oil seal	1	
3	2B001311	Spacer	1	
4	GU90706188	Oil seal 18,77X1,78	1	
5	GU31003766	Oil unload plug M10x1	1	
6	GU01528930	Gasket 10x18x1,5	1	
7	224566	Washer	1	
8	2B0105001	Oil plug M12x1,5	1	
9	GU37359005	Washer	1	
10	2B007257	Wheel spacer	1	
11	GU90413850	Oil seal 38X50X7	1	
12	GU12351100	Oil seal	1	
13	2B002200	Washer for shafts	1	
14	2B006088R	Roller bearing 40x55x17	1	
15	B064304	Circlip	1	
16	GU19351100	Clearance washer	1	
17	2B002536	Crown fixing ring nut	1	
18	GU90706958	O-ring 158,42X2,62	1	
19	GU04355100	Tickness 0,6 mm	1	
19	GU04355101	Tickness 0,7 mm	1	
19	GU04355104	Tickness 1 mm	1	
19	GU04355105	Tickness 1,1 mm	1	
19	GU04355106	Tickness 1,2 mm	1	
19	GU04355103	Tickness 0,9 mm	1	
19	GU04355102	Tickness 0,8 mm	1	
20	2B0061105	Complete flange	1	
21	2B002807	Cap	1	
22	2A000823	Breather plug	1	

<b>Group</b>	Engine
<b>Code</b>	03.350
<b>Description</b>	Rear transmission / Components
<b>Service</b>	1



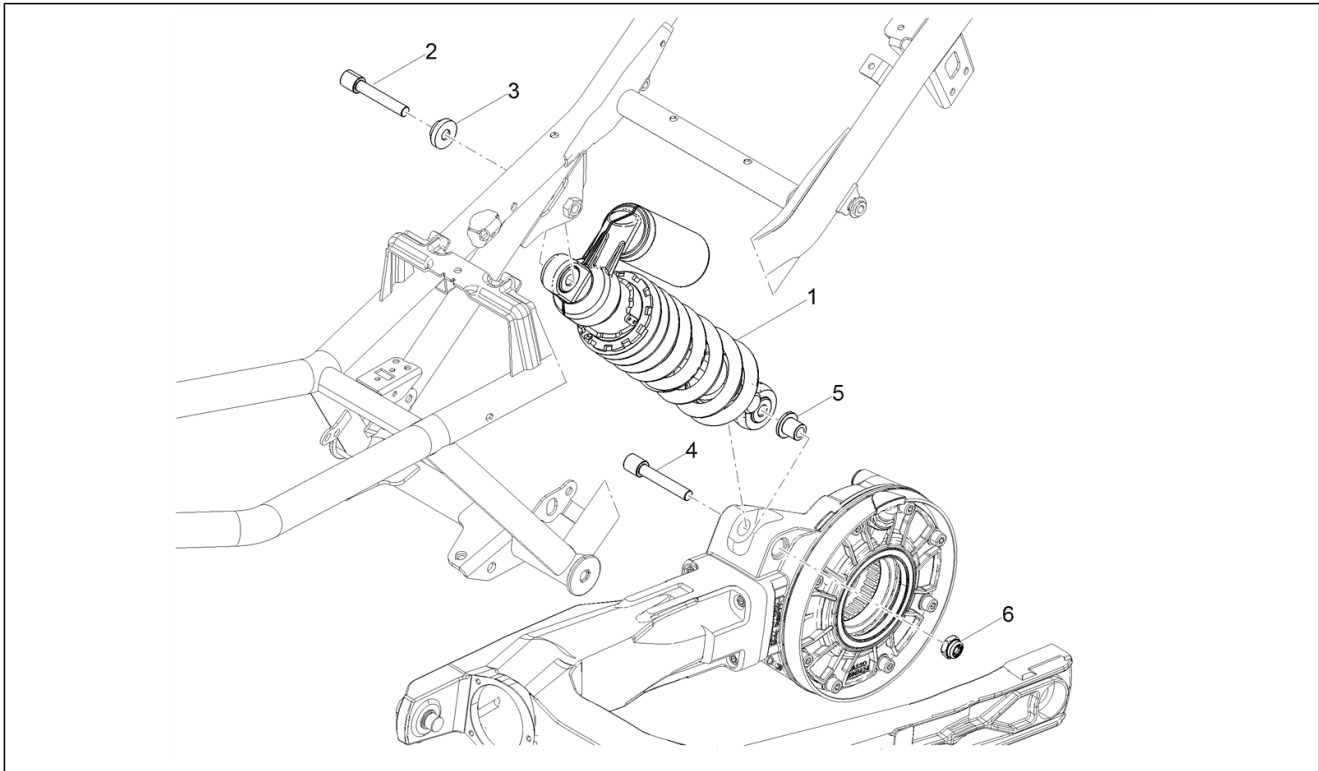
Pos.	Code	Description	Qty	Variants
23	GU01528930	Gasket 10x18x1,5	1	
24	GU14615901	Washer 8,4X13X0,8	8	
25	2B002171	Special cap screw 8x25	8	
26	2B006064	Felt	1	
27	2B002535	Oil seal 80x100x10	1	
28	2B006860R	Flexible couplings hub	1	
29	2B007243	Oil seal 26x42x7	1	
30	GU90706584	Gasket 58,42x2,62	1	

<b>Group</b>	Suspensions
<b>Code</b>	04.040
<b>Description</b>	Front fork Kayaba
<b>Service</b>	1



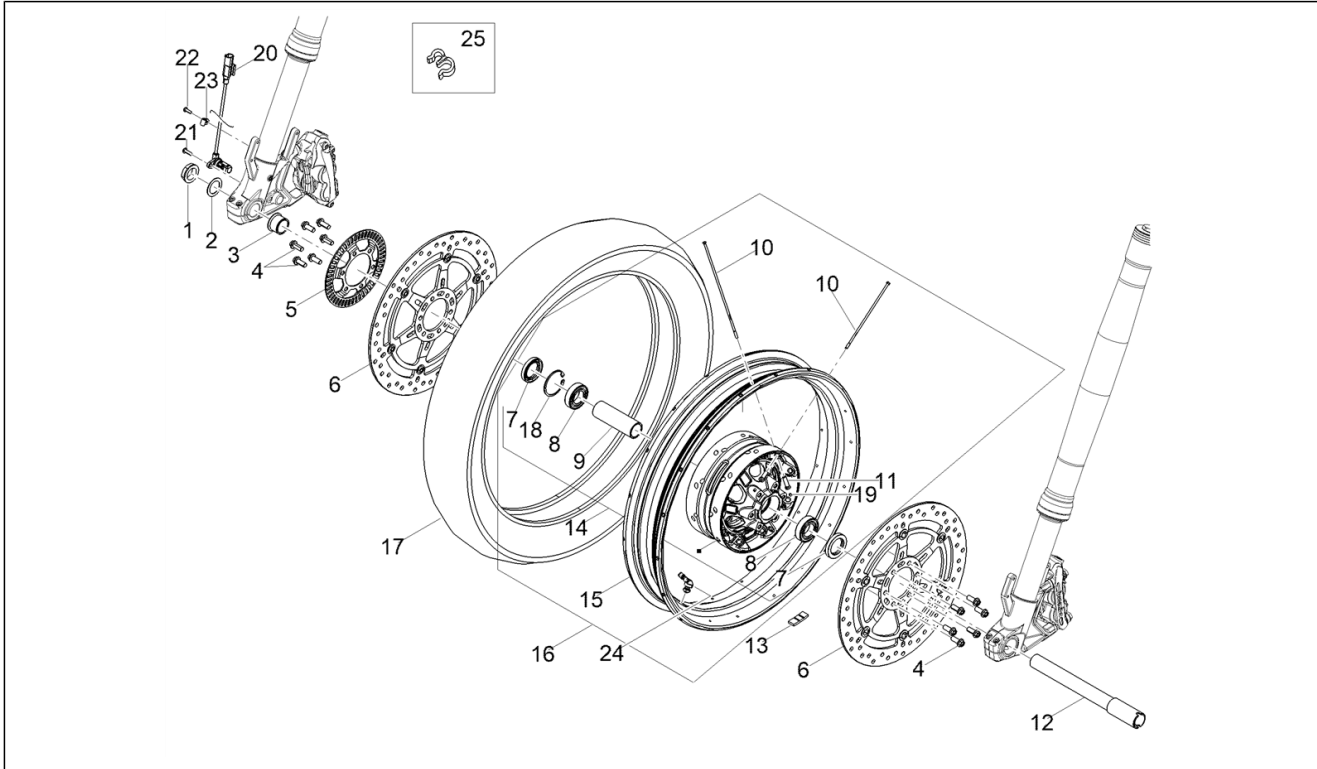
Pos.	Code	Description	Qty	Variants
1	2B004749	RH hub cpl.	1	
2	2B004748	LH hub cpl.	1	
3	2B006100	Sleeve	2	
4	2B006105	Engine oil seal kit	2	
5	2B004403	Bush	2	
6	2B006102	RH hub	1	
7	2B006101	LH hub	1	
8	2B006103	Plunger	1	
9	2B004406	Plain washer	1	
10	2B004407	screw	1	
11	2B004420	Spring	1	
12	2B006104	Preload tube	1	
13	2B004422	Washer	1	
14	2B004410	Pad	1	
15	2B004411	Nut	1	
16	2B004412	Sleeve plug	1	
17	2B004414	Ring	1	
18	2B004413	Plug with OR	1	
19	AP8150285	Hex socket screw M6x35	4	
20	GU05781630	Reflector, amber	2	

<b>Group</b>	Suspensions
<b>Code</b>	04.080
<b>Description</b>	Shock absorber
<b>Service</b>	1



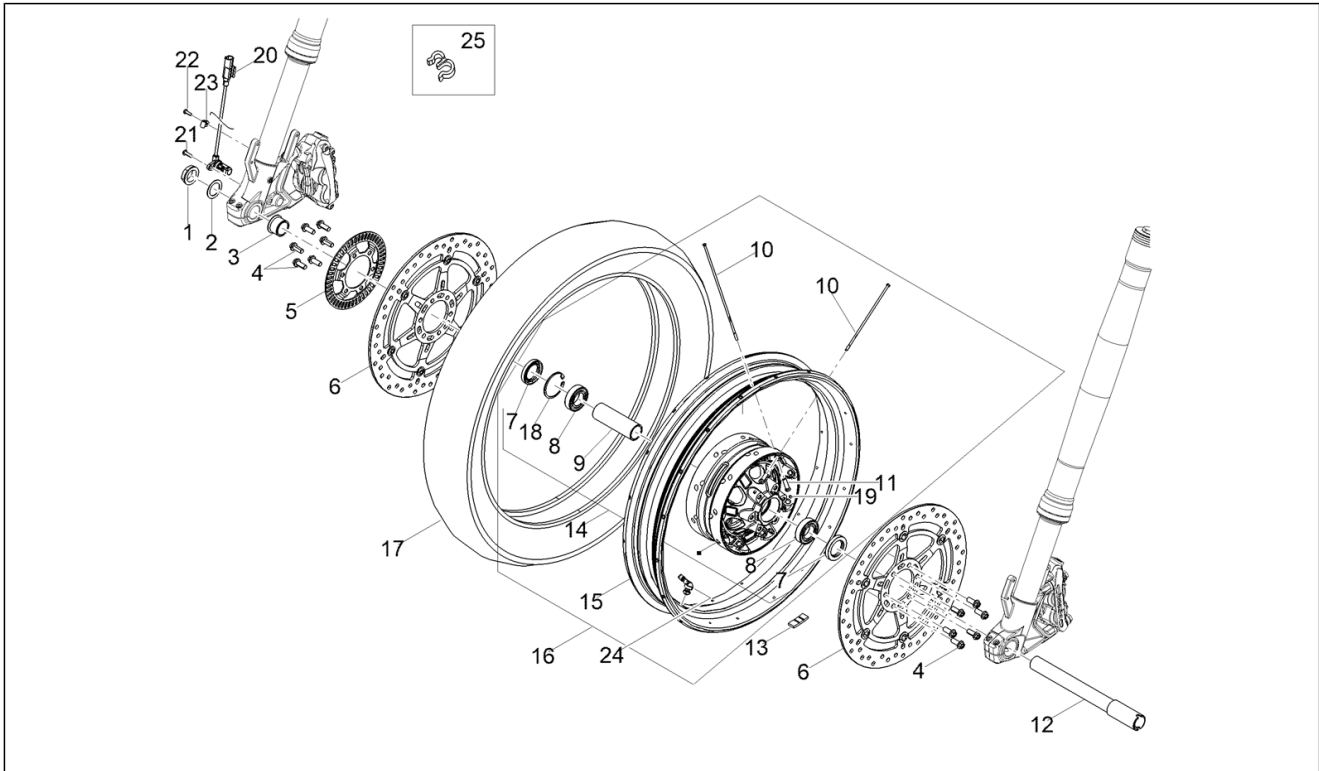
Pos.	Code	Description	Qty	Variants
1	2B004591	Rear shock absorber	1	
2	AP8150048	Hex socket screw	1	
3	AP8121615	Silencer fixing bush	1	
4	AP8152411	Hex socket screw M10x59	1	
5	AP8121155	T bush *	1	
6	AP8152301	Self-locking nut	1	

<b>Group</b>	Wheels
<b>Code</b>	05.010
<b>Description</b>	Front wheel
<b>Service</b>	1



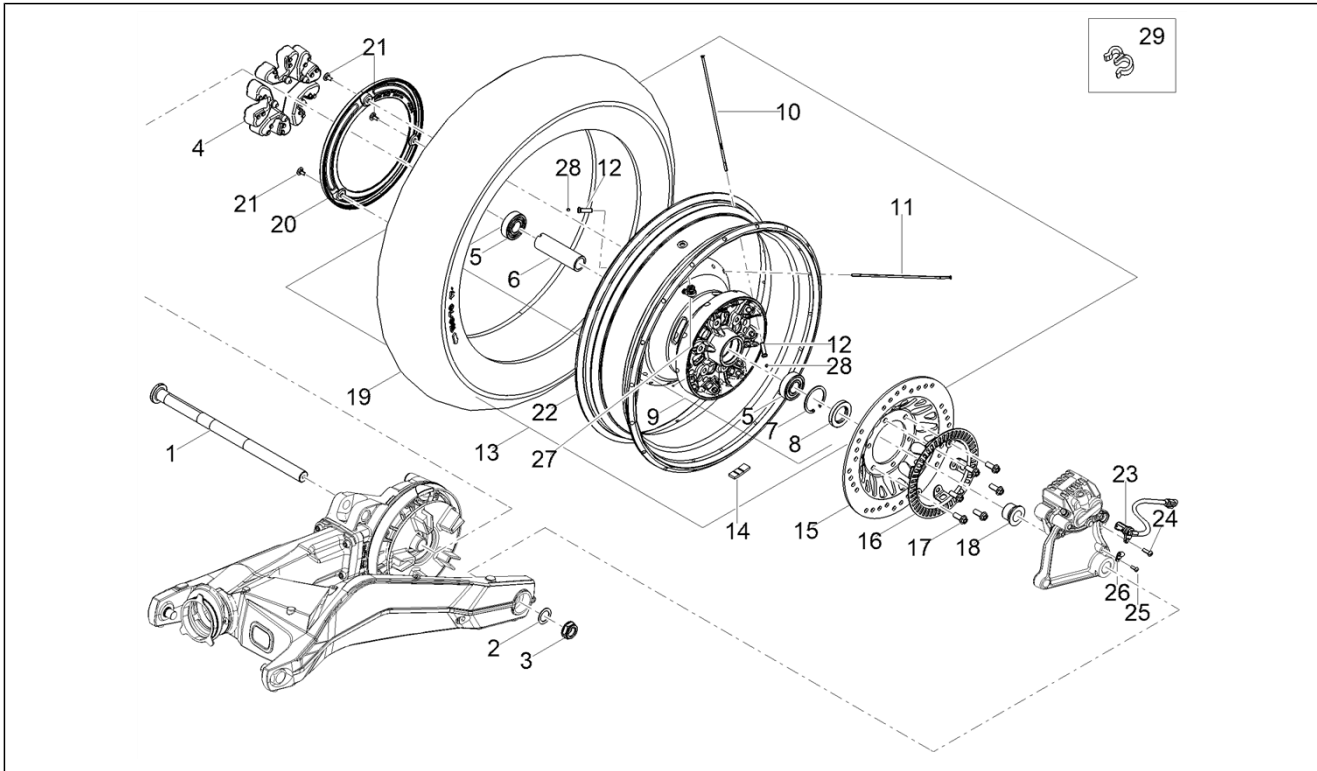
Pos.	Code	Description	Qty	Variants
1	GU01612190	Nut	1	
2	GU95005325	Washer 25,2X36X1	1	
3	978498	Spacer	1	
4	2B002416	Screw w/ flange M8x20	12	
5	2B004778	ABS phonic wheel	1	
6	883688	Front brake disc 320	2	
7	AP8125773	Oil seal 30x47x7	2	
8	AP8125777	Ball bearing 25x47x12	2	
9	978516	Spacer	1	
10	2B007335	Spoke	36	
11	2B007846	Nipples	36	
12	2B004305	Front wheel spindle	1	
13	GU14616150	Counterweight	1	
14	2B007333	Complete front wheel hub	1	
15	2B007332	Front wheel 2.50x19"	1	
16	2B007331	Front wheel complete with bearings	1	
17	2B006753	Front tyre 110/80 R19 M/C 59V Dunlop	1	<b>Technical Specification:</b> Guardia d'Onore[GDO] V85 TT[BASE]
17	2B006067	Front/rear tyre 110/80 R 19 59V TL/TT Michelin	1	<b>Technical Specification:</b> V85 TT Evocative[SP]
17	2B004302	Front tyre 110/80 R19 M/C 59V TL Metzeler	1	<b>Technical Specification:</b> Guardia d'Onore[GDO] V85 TT[BASE]
18	AP8125842	Snap ring d47	1	
19	AP8150491	Dowel	36	
20	859792	ABS sensor	1	
21	1C001499	TBEI TORX screw M5x16 INOX	1	
22	581957	Hexagon convex big end screw	1	
23	859777	Fairlead	1	
24	AP8104728	Tubeless tyre valve 90°	1	

<b>Group</b>	Wheels
<b>Code</b>	05.010
<b>Description</b>	Front wheel
<b>Service</b>	1



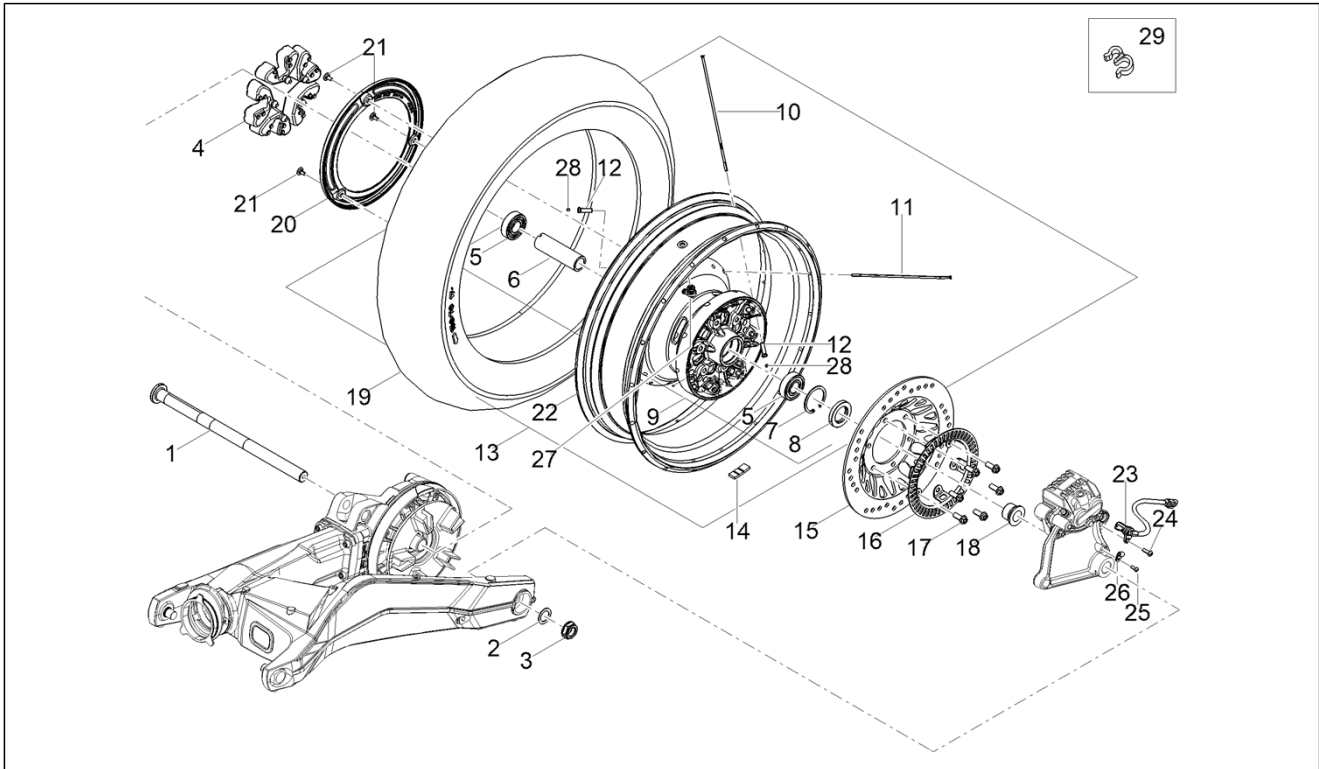
Pos.	Code	Description	Qty	Variants
25	894704	Fairlead	3	

<b>Group</b>	Wheels
<b>Code</b>	05.020
<b>Description</b>	Rear wheel
<b>Service</b>	1



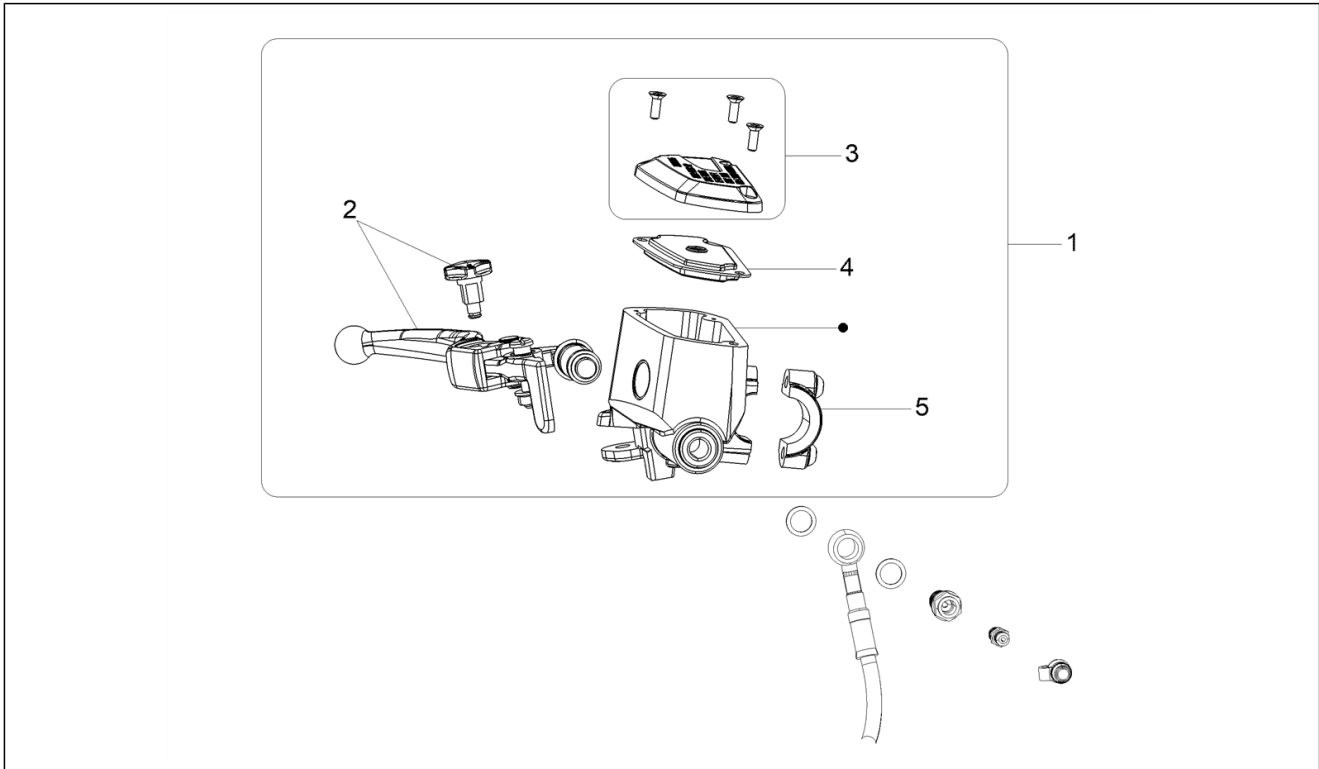
Pos.	Code	Description	Qty	Variants
1	2B004693	Rear wheel spindle	1	
2	AP8125687	Wheel pin washer	1	
3	AP8125763	Rear wheel spindle nut	1	
4	B064290	Spring drive rubber	5	
5	GU92204220	Ball bearing 20X47X14	2	
6	2B001278	Rear wheel internal spacer	1	
7	GU90272047	Circlip 47X50,5	1	
8	AP8110109	Oil seal 28X47X7	1	
9	2B007321	Compl. rear hub	1	
10	2B007325	Spoke 3,5x195	18	
11	2B007324	Spoke 3,5x163	18	
12	2B007846	Nipples	36	
13	2B007319	Rear wheel complete with hub	1	
14	GU14616150	Counterweight	1	
15	887448	Brake disc	1	
16	2B004396R	Phonic wheel	1	
17	2B002416	Screw w/ flange M8x20	6	
18	2B001956	Rear wheel spacer	1	
19	2B006066	Rear tyre 150/70 R 17 69V TL/TT Michelin	1	<b>Technical Specification:</b> V85 TT Evocative[SP]
19	2B006754	Rear tyre 150/70 R17 M/C 69V Dunlop	1	<b>Technical Specification:</b> Guardia d'Onore[GDO] V85 TT[BASE]
19	2B004442	Rear tyre 150/70 R17 M/C 69V TL Metzeler	1	<b>Technical Specification:</b> Guardia d'Onore[GDO] V85 TT[BASE]
20	2B007323	Cover	1	
21	AP8150500	Hex socket screw M5x9 NERINOX	3	
22	2B007320	Rear wheel rim 4,25x17"	1	
23	859792	ABS sensor	1	
24	1C001499	TBEI TORX screw M5x16 INOX	1	

<b>Group</b>	Wheels
<b>Code</b>	05.020
<b>Description</b>	Rear wheel
<b>Service</b>	1



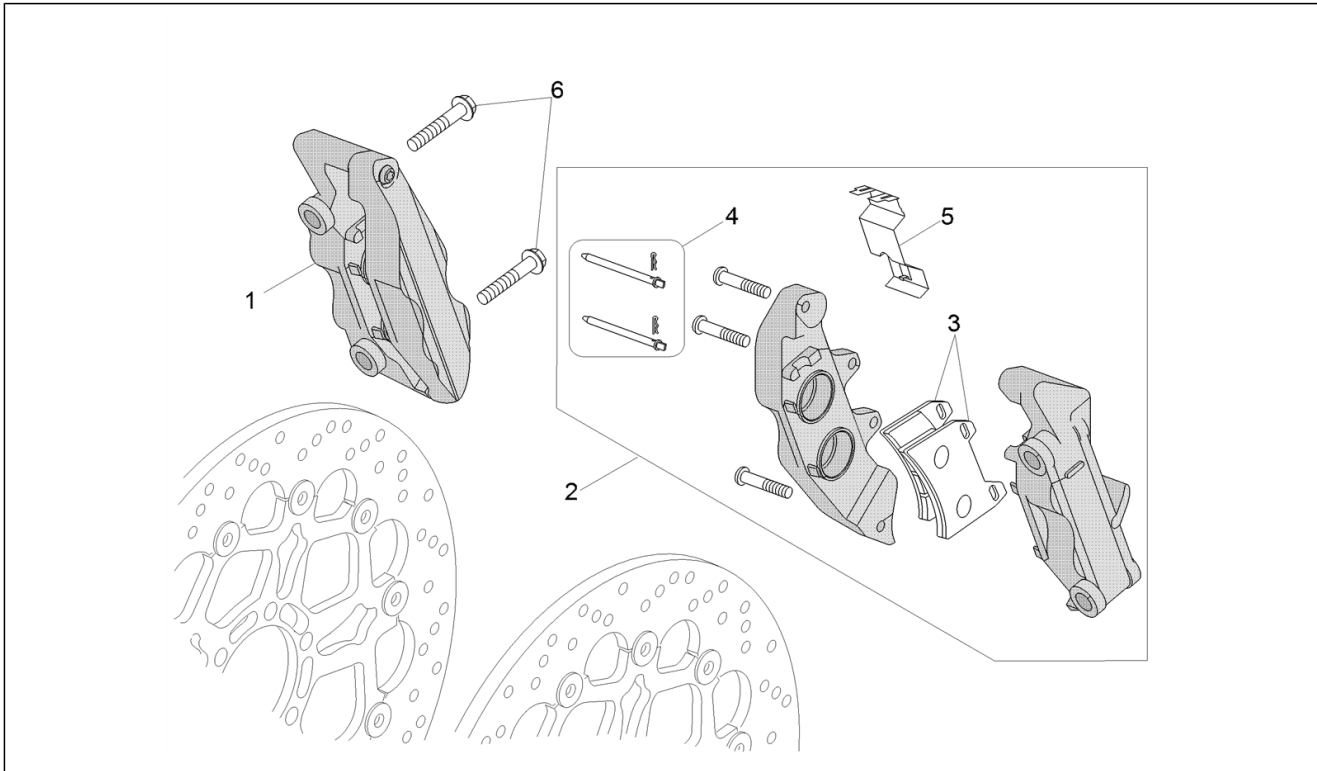
Pos.	Code	Description	Qty	Variants
25	581957	Hexagon convex big end screw	1	
26	859777	Fairlead	1	
27	AP8104728	Tubeless tyre valve 90°	1	
28	AP8150491	Dowel	36	
29	894704	Fairlead	3	

<b>Group</b>	Braking system
<b>Code</b>	06.010
<b>Description</b>	Front master cilinder
<b>Service</b>	1



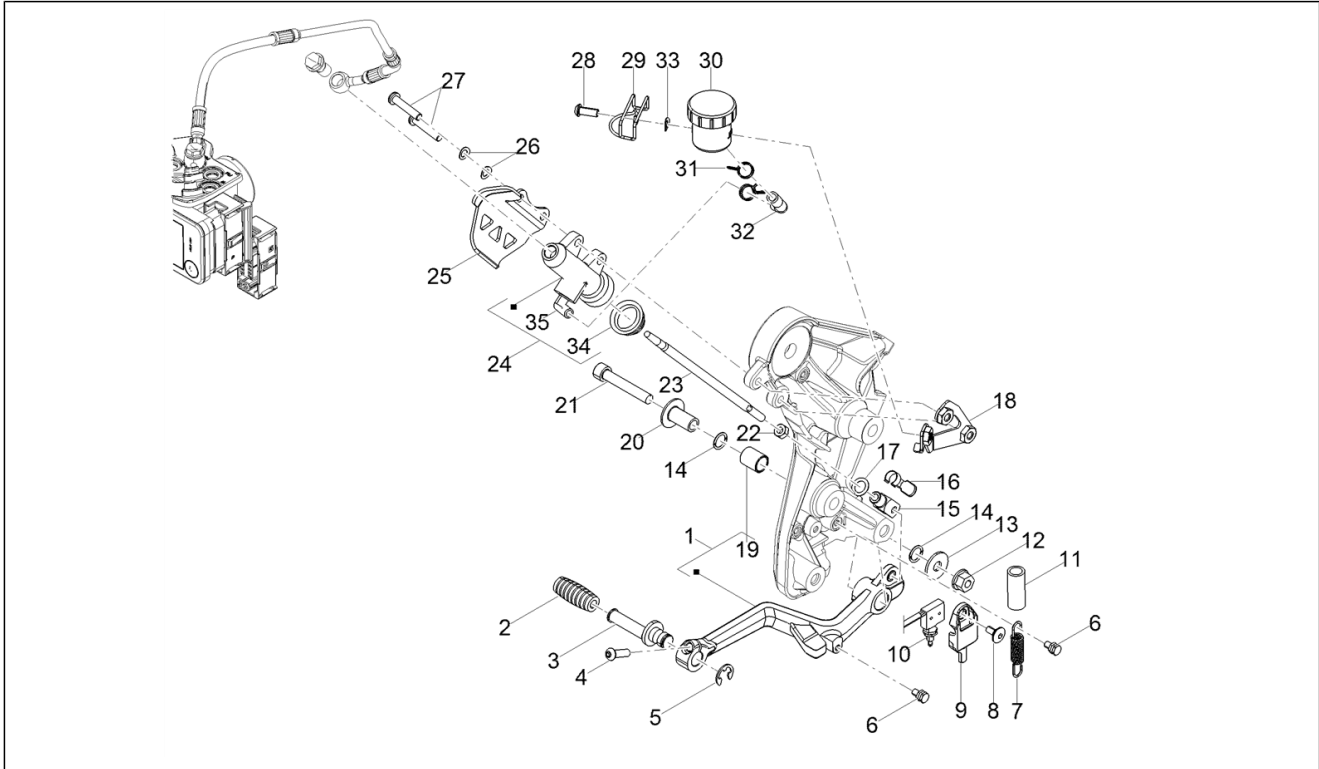
Pos.	Code	Description	Qty	Variants
1	2B006111	Front brake mast.cyl cpl	1	
2	896346	Brake lever with roller	1	
3	B064105	Complete cover	1	
4	858423	Diaphragm	1	
5	856050	U-bolt	1	

<b>Group</b>	Braking system
<b>Code</b>	06.020
<b>Description</b>	Front brake caliper
<b>Service</b>	1



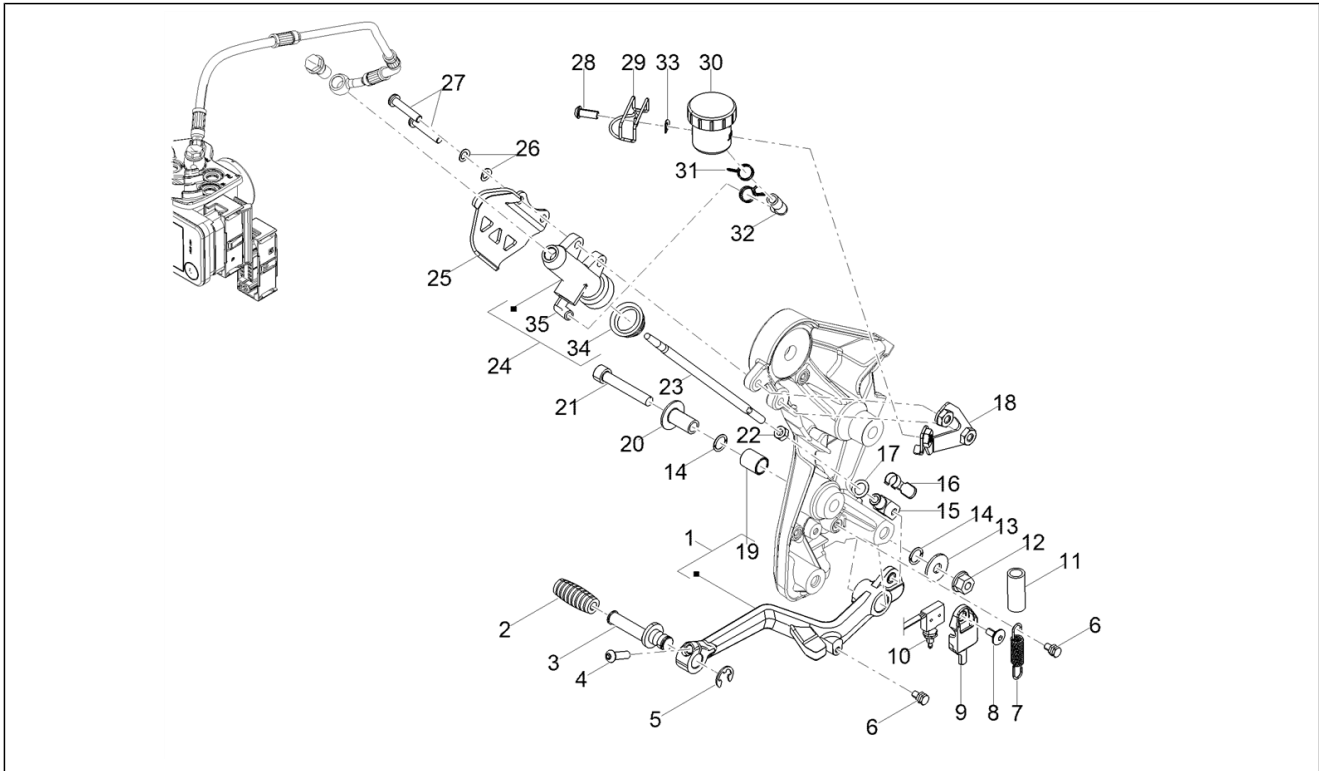
Pos.	Code	Description	Qty	Variants
1	2B005332	RH front brake caliper	1	
2	2B005331	LH front brake caliper	1	
3	2B005736	Brake pads couple	2	
4	GU01659130	Pins+Caliper springs	2	
5	GU01659131	Spring	2	
6	2B006398	Screw w/ flange M10X1.25X55	4	

<b>Group</b>	Braking system
<b>Code</b>	06.030
<b>Description</b>	Rear master cylinder
<b>Service</b>	1



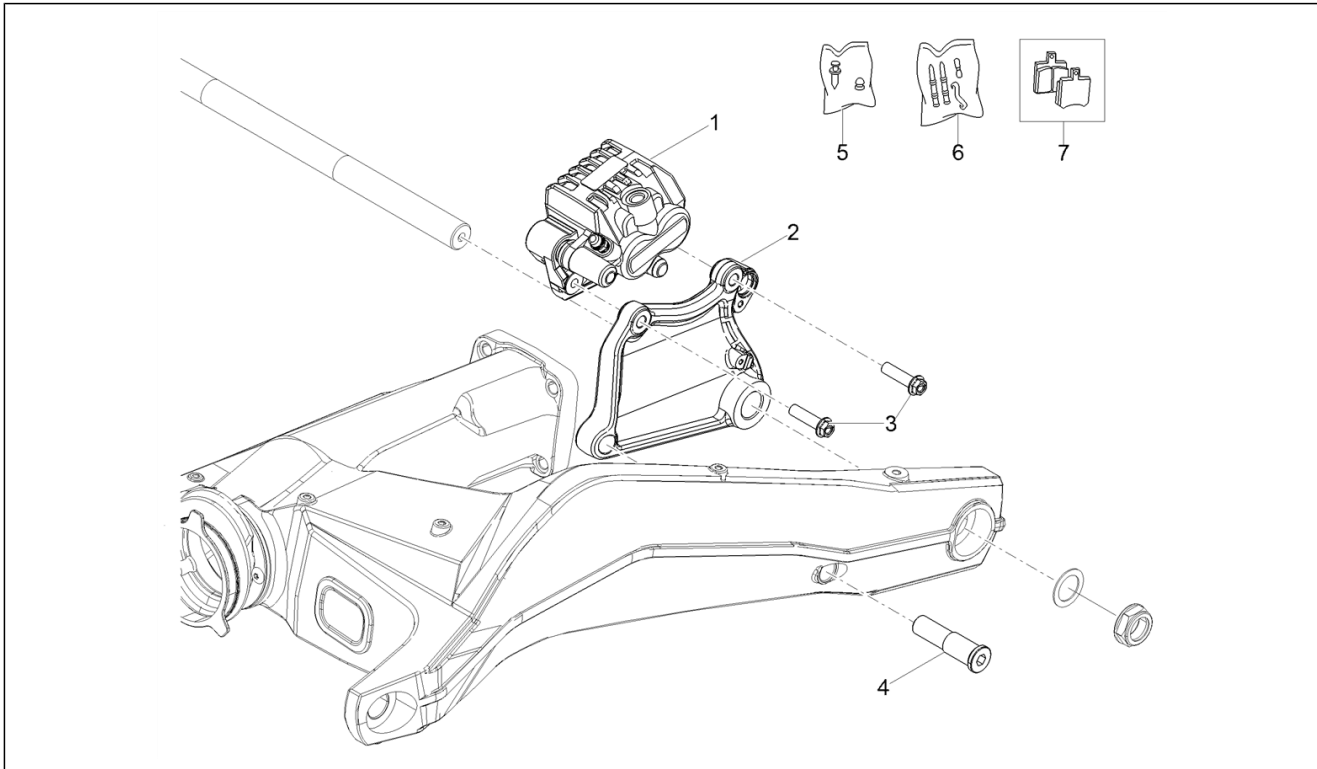
Pos.	Code	Description	Qty	Variants
1	2B005634	Rear brake lever	1	
2	AP8120912	Lever rubber	1	
3	AP8121221	Brake lever pin	1	
4	AP8224470	Hex socket screw M6x20 inox	1	
5	AP8150462	Circlip d9	1	
6	859946	Fixing pin	2	
7	AP8121927	Rear brake lever spring	1	
8	AP8150500	Hex socket screw M5x9 NERINOX	1	
9	2B004845	Electric device support	1	
10	2D000325	Stop/clutch switch	1	
11	AP8120822	Silent block, spring	1	
12	967363	Nut M8x1,25	1	
13	AP8150018	Washer	1	
14	AP8144007	O-ring 11,11x1,78	2	
15	AP8113081	Fork	1	
16	AP8113082	Gear selector fork clips	1	
17	AP8120178	O-ring OR112	1	
18	2B005589	Tank support bracket	1	
19	895328	Sintered bushing	1	
20	AP8121509	Bush	1	
21	GU98680450	Hex socket screw M8x50	1	
22	GU92606206	Nut	1	
23	2B005624	Rod	1	
24	2B000508	Rear master cylinder	1	
25	2B005685	Brake master cyl.protection	1	
26	AP8150182	Curved spring washer *	3	
27	AP8152128	Hex socket screw M6x30	2	
28	AP8152108	Hex socket screw M6x15	1	

<b>Group</b>	Braking system
<b>Code</b>	06.030
<b>Description</b>	Rear master cylinder
<b>Service</b>	1



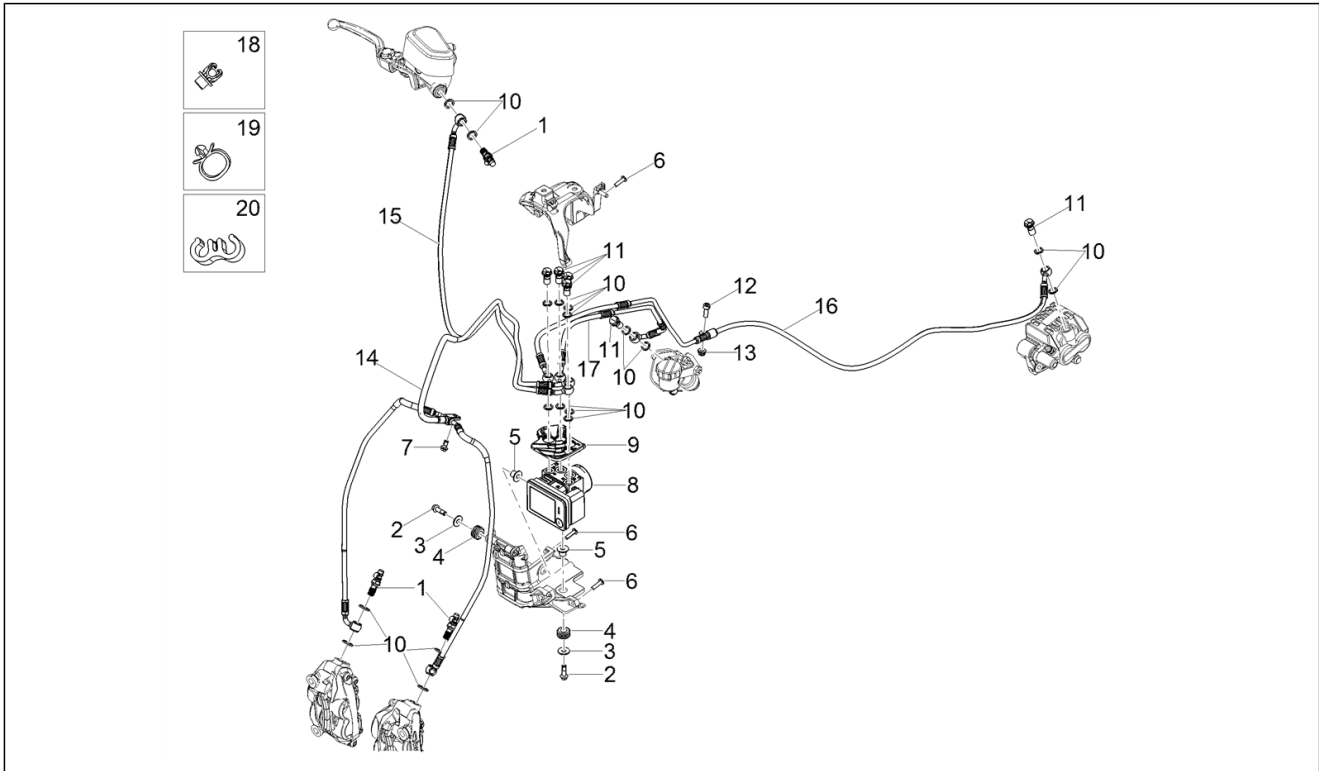
Pos.	Code	Description	Qty	Variants
29	AP8121504	Plug block	1	
30	2B002130	Brake oil tank complete	1	
31	AP8101594	Hose clamp D10,1*	2	
32	2B005379	Oil tank pipe	1	
33	AP8152181	Washer 6,4x15x1	1	
34	AP8113288	Rubber bellows	1	
35	AP8213057	Rear brake pump union	1	

<b>Group</b>	Braking system
<b>Code</b>	06.040
<b>Description</b>	Rear brake caliper
<b>Service</b>	1



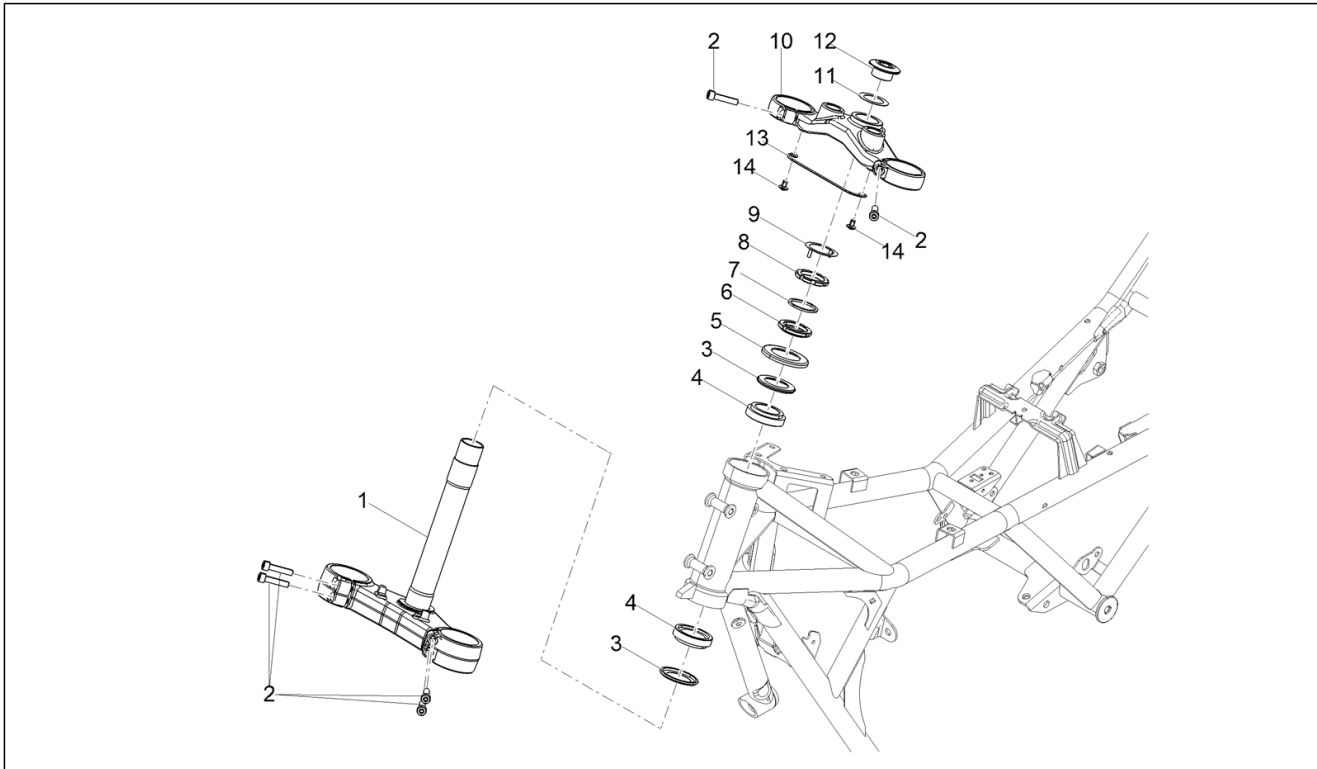
Pos.	Code	Description	Qty	Variants
1	2B000525	Rear brake caliper	1	
2	2B004770	Brake caliper support plate	1	
3	AP8152288	Screw w/ flange M8x30	2	
4	GU31544181	Pin	1	
5	GU31659281	Bleeder+cap	1	
6	AP8133799	Pins+Caliper springs	1	
7	2R000248	Brake pads couple	1	

<b>Group</b>	Braking system
<b>Code</b>	06.050
<b>Description</b>	ABS Brake system
<b>Service</b>	1



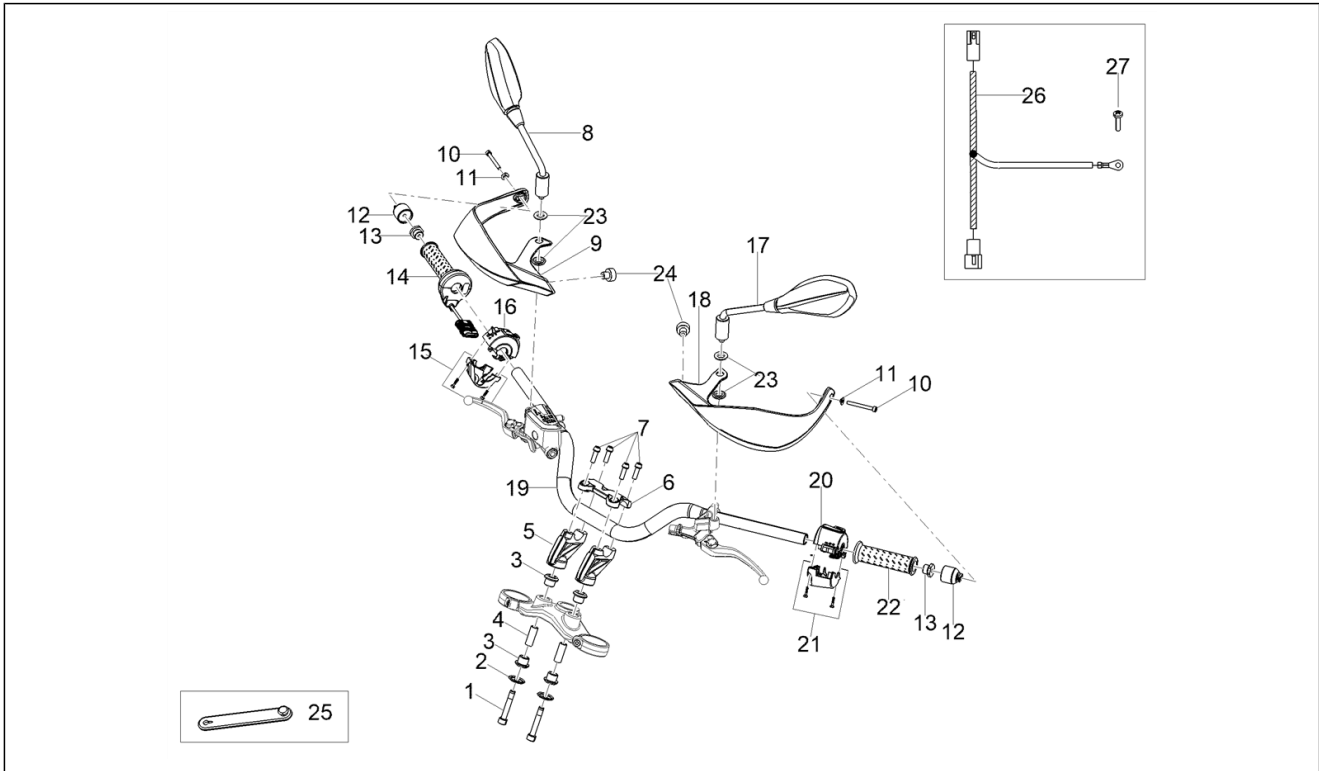
Pos.	Code	Description	Qty	Variants
1	978466	Air bleed valve	3	
2	2B004560	M6x20 pre-coated hex head screw	2	
3	AP8150015	Washer 6,6x18x1,6*	2	
4	AP8120030	Rubber spacer	2	
5	AP8221023	T bush	2	
6	AP8152329	Phillips screw, SWP M5x20	3	
7	2B005143	Screw w/ flange M6x12	1	
8	2D000701	ABS electrohydraulic unit, prefilled	1	
9	2B005287	Plate	1	
10	AP8113004	Washer 10x14x1,6*	18	
11	1C001209	Special screw	6	
12	AP8152273	Screw w/ flange M5x15	1	
13	AP8152306	Self-locking nut M5	1	
14	2B005374	ABS HECU pipe - Front clamp	1	
15	2B005373	ABS HECU pipe - Front pump	1	
16	2B005376	ABS HECU pipe - Rear clamp	1	
17	2B005375	ABS HECU pipe - Rear pump	1	
18	AP8121882	Cable-guide	2	
19	641652	Spring L. 22 mm	3	
20	2B000276	Staple	1	

<b>Group</b>	Handlebar - Controls
<b>Code</b>	07.010
<b>Description</b>	Steering
<b>Service</b>	1



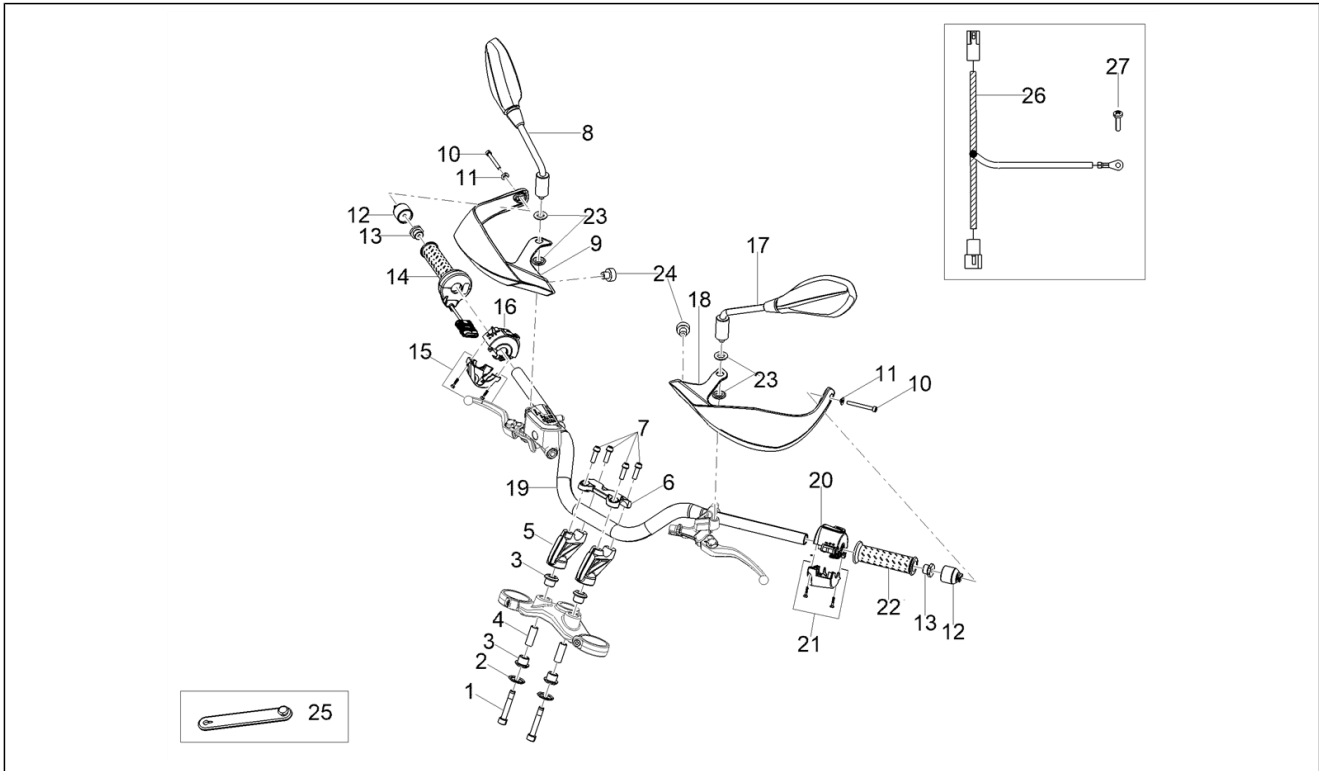
Pos.	Code	Description	Qty	Variants
1	2B004647	Lower plate complete with headstock	1	
2	AP8150236	Hex socket screw M8x35	6	
3	AP8123641	Dust cover ring	2	
4	AP8110077	Axial ball bearing	2	
5	AP8123644	Dust cover ring	1	
6	AP8123642	Ring nut	1	
7	887831	Rubber spacer	1	
8	AP8123643	Return ring nut	1	
9	887832	Steering security plate	1	
10	2B004944	Upper plate	1	
11	AP8152384	Stem plug washer	1	
12	AP8121205	Upper plate fixing bush	1	
13	2B006501	Fairlead	1	
14	2B000215	Screw w/ flange M6x10	2	

<b>Group</b>	Handlebar - Controls
<b>Code</b>	07.020
<b>Description</b>	Handlebar - Controls
<b>Service</b>	1



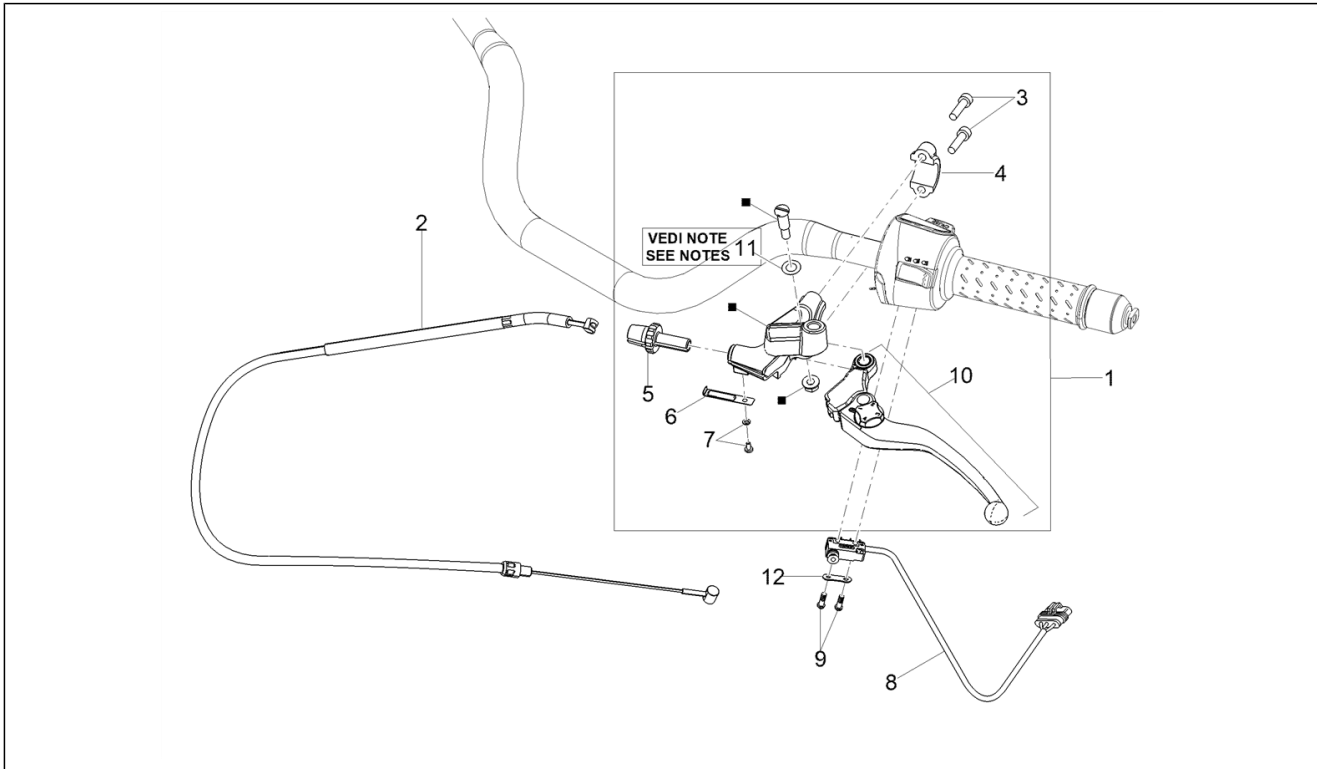
Pos.	Code	Description	Qty	Variants
1	2B004798	Pre-impregnated screw TCEI M10X60 8.8	2	
2	AP8123721	Cup	2	
3	AP8144222	Rubber spacer	4	
4	854827	Spacer 10,1x14,1x38	2	
5	2B005683	Handlebar U-bolt	2	
6	2B010295	Upper handlebar clamp	1	<b>Technical Specification:</b> Guardia d'Onore[GDO]
6	2B004163	Upper handlebar clamp	1	<b>Technical Specification:</b> V85 TT[BASE] V85 TT Evocative[SP]
7	AP8152486	Cross head cylinder head screw M8x25 INOX	4	
8	2B006207	Right hand mirror	1	
9	856855	RH handguard	1	
10	AP8150045	Hex socket screw M6x55	2	
11	AP8121032	Bush	2	
12	859949	Anti.v weight, black	2	
13	AP8121520	Anti vib.weight trailing	2	
14	2D000654	Electronic gas control	1	
15	2D000163	Lower shell DX	1	
16	2D000674	RH handlebar control set without DRL	1	<b>Country:</b> Canadian[CDN]
16	2D000528	RH handlebar control set	1	<b>Country:</b> United States of America[USA]
17	2B006208	Driving mirror l.h.	1	
18	2B005927	LH handguard	1	
19	2B005257	Handlebar	1	
20	2D000339	LH handlebar control set	1	
21	2D000504	Lower left shell	1	
22	2B002488	LH hand grip	1	
23	AP8121080	Spacer	4	
24	AP8144081	Rubber spacer	2	
25	2B004963	Spring clamp L60 mm	4	
26	2D000745		1	

<b>Group</b>	Handlebar - Controls
<b>Code</b>	07.020
<b>Description</b>	Handlebar - Controls
<b>Service</b>	1



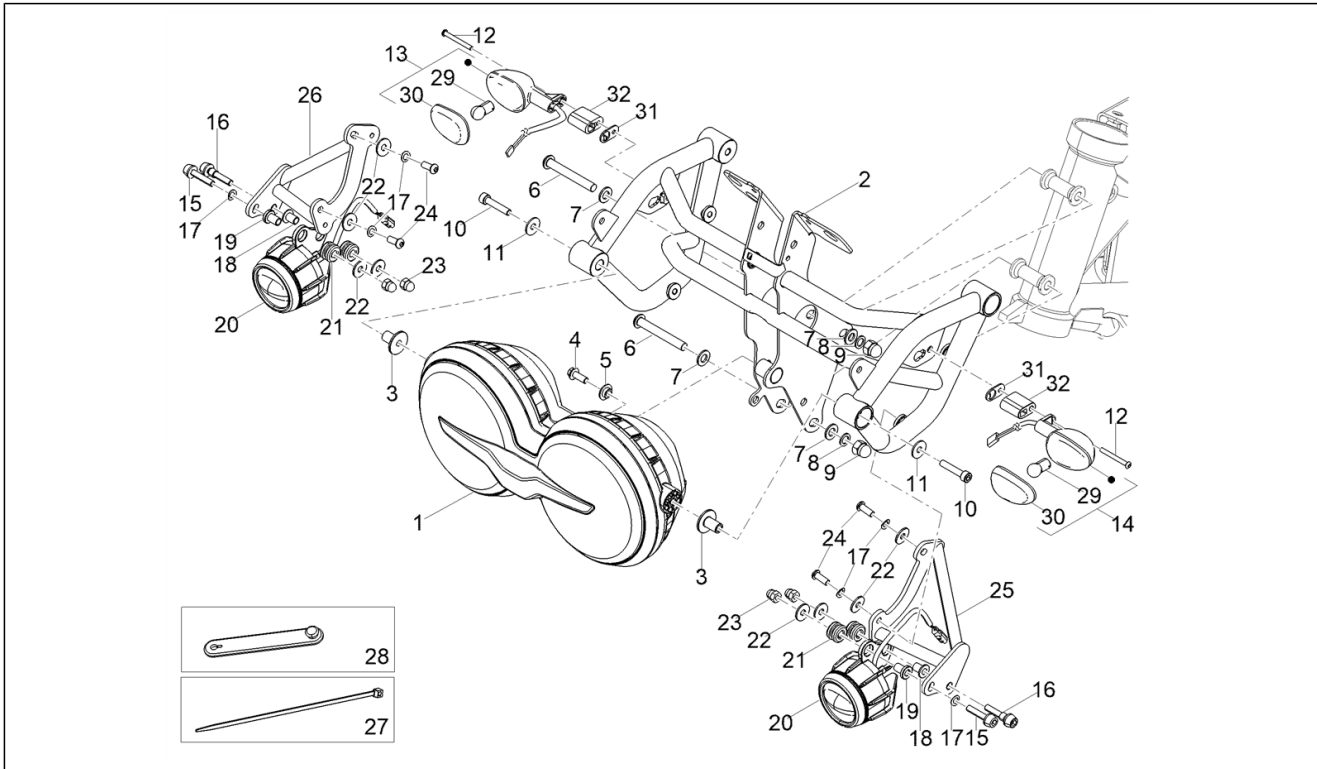
Pos.	Code	Description	Qty	Variants
27	2B010842	screw M2x6	1	

<b>Group</b>	Handlebar - Controls
<b>Code</b>	07.030
<b>Description</b>	Clutch control
<b>Service</b>	1



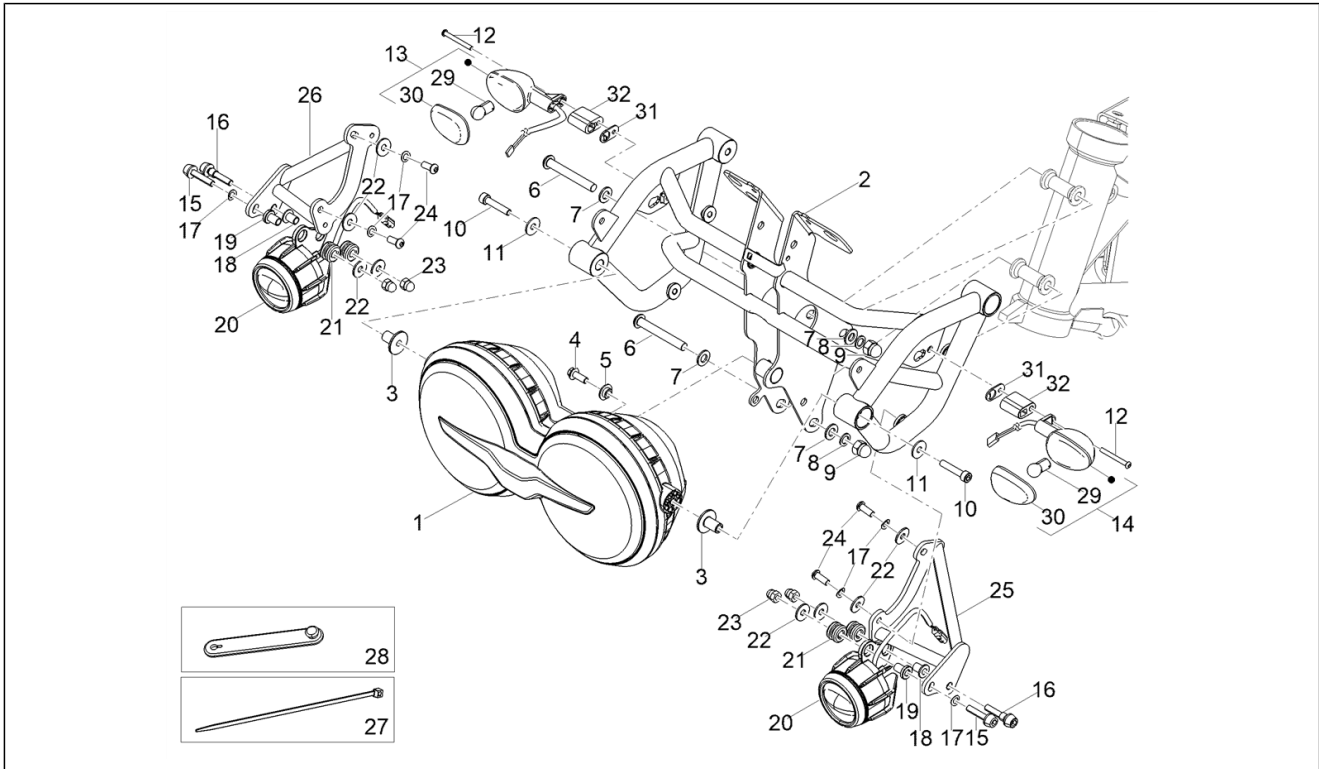
Pos.	Code	Description	Qty	Variants
1	2B004720	Clutch control lever set	1	
2	2B005851	Clutch cable	1	
3	2B006308	SHC screw M6x25	2	
4	856050	U-bolt	1	
5	2B004721	Clutch cable register	1	
6	2B006307	Spring	1	
7	2B006306	screw	1	
8	2D000497	Diagnosable clutch switch	1	
9	654174	Special cap screw M2x12*	2	
10	2B007401	Clutch lever	1	
11	2B007402	Spacer	1	
12	2B007810	Plate	1	

<b>Group</b>	Lights - Instruments
<b>Code</b>	08.010
<b>Description</b>	Front headlamps
<b>Service</b>	1



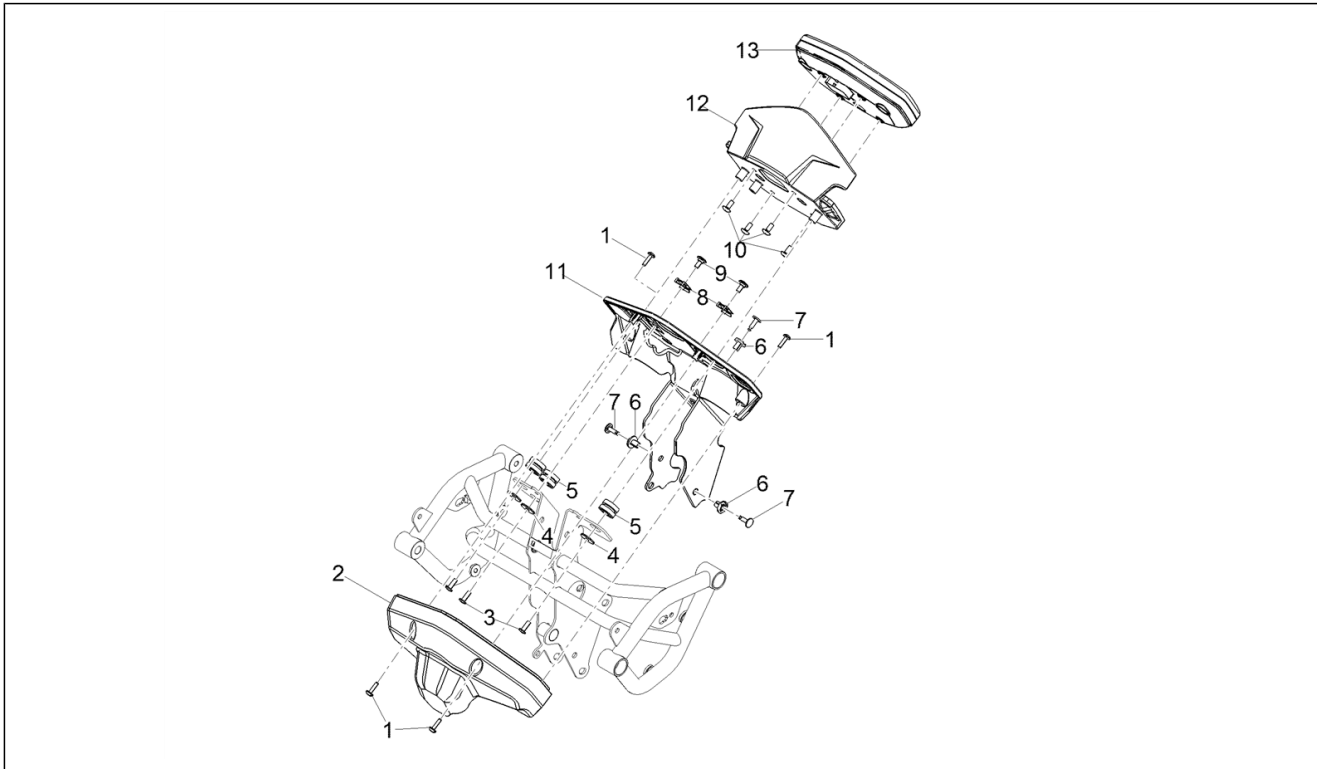
Pos.	Code	Description	Qty	Variants
1	2D000415	Headlight	1	
2	2B005457000YR8	Front frame	1	Colour:Yellow Mojave[Z1] Red Uluru[Z3] Blu Uyuni[Z5]
2	2B005457000YE9	Front frame	1	Colour:Raptor Green[XV6] Centenary[YV2] Black Etna[NV] Guardia D'Onore[XN2]
3	AP8221228	Bush	2	
4	AP8152278	Screw w/ flange M6x16	1	
5	AP9100053	Bush d.10-h.3,5	1	
6	GU98350460	screw	2	
7	AP8163165	Stainless washer 16x8.4x1.6	4	
8	GU14615901	Washer 8,4X13X0,8	2	
9	860651	Cap nut M8x1,25	2	
10	GU98692325	Hex socket screw M6x25	2	
11	AP8150378	Washer 6,4x18x2	2	
12	GU98370655	Hex socket screw M6X55	2	
13	2D000525	Left rear and right front turn indicators	1	
14	2D000526	Front left/Rear right turn sig. lamp	1	
15	2S001394	Hex socket screw M6x28	2	
16	2S001393	Hex socket screw M6	2	
17	AP8150182	Curved spring washer *	6	
18	AP8121790	T bush *	2	Technical Specification:Guardia d'Onore[GDO]
19	898287	T bushing	2	Technical Specification:Guardia d'Onore[GDO]
20	2B000487	Fog headlight	2	Technical Specification:Guardia d'Onore[GDO]
21	AP8120223	Rubber spacer *	4	Technical Specification:Guardia d'Onore[GDO]
22	AP8150179	Washer 6,6x18x1,6	8	Technical Specification:Guardia d'Onore[GDO]
23	479175	Cap nut	4	Technical Specification:Guardia d'Onore[GDO]
24	GU98612316	Hex socket screw M6x16	4	Technical Specification:Guardia d'Onore[GDO]
25	2B005952	LEFT SIDE FOGLIGHT SUPPORT FRAME	1	Technical Specification:Guardia d'Onore[GDO]
26	2B005953	RIGHT SIDE FOGLIGHT SUPPORT FRAME	1	Technical Specification:Guardia d'Onore[GDO]

<b>Group</b>	Lights - Instruments
<b>Code</b>	08.010
<b>Description</b>	Front headlamps
<b>Service</b>	1



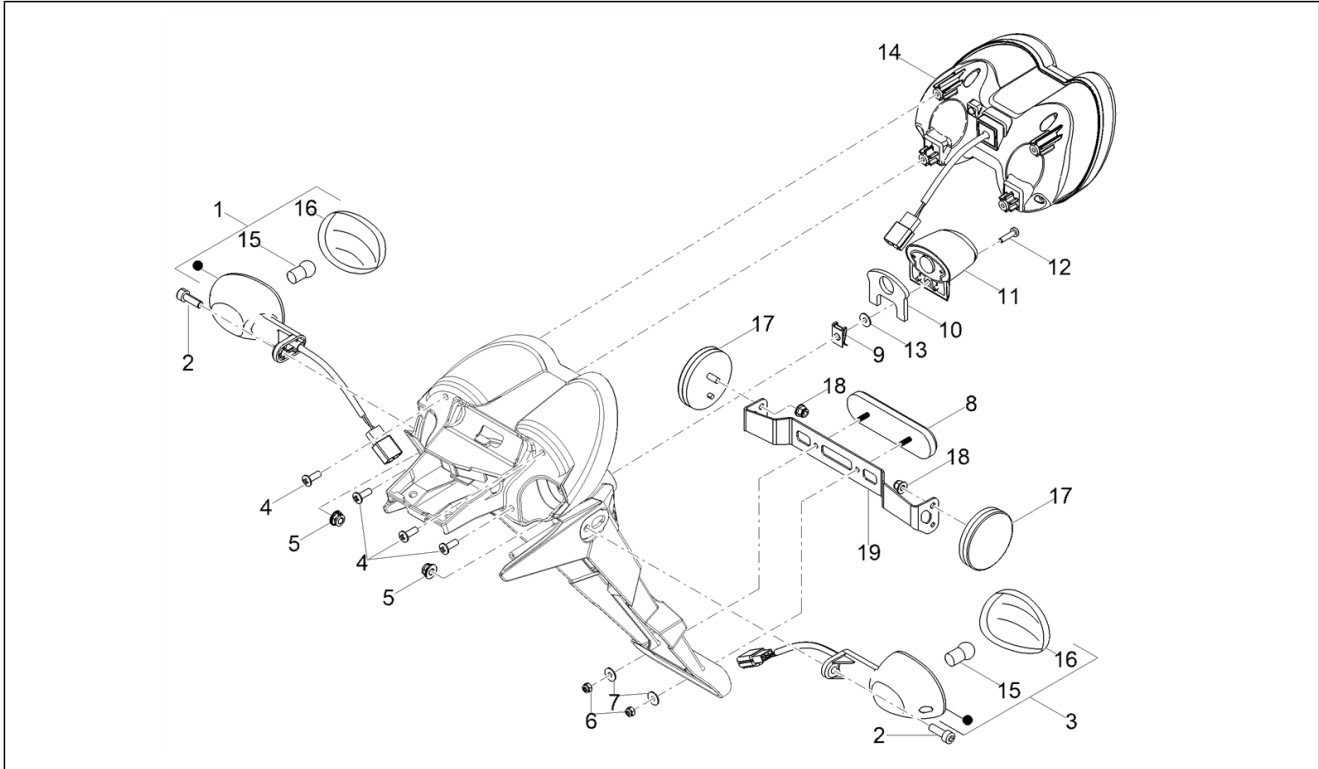
Pos.	Code	Description	Qty	Variants
27	GU01609630	Hose clamp L46 mm	2	<b>Technical Specification:</b> Guardia d'Onore[GDO]
28	2B004963	Spring clamp L60 mm	6	<b>Technical Specification:</b> Guardia d'Onore[GDO]
29	584332	Lamp 12V-10W	2	
30	639338	Turn indicator lens	2	
31	2B006256	Plate	2	
32	2B006107	Spacer	2	

<b>Group</b>	Lights - Instruments
<b>Code</b>	08.020
<b>Description</b>	Instruments
<b>Service</b>	1



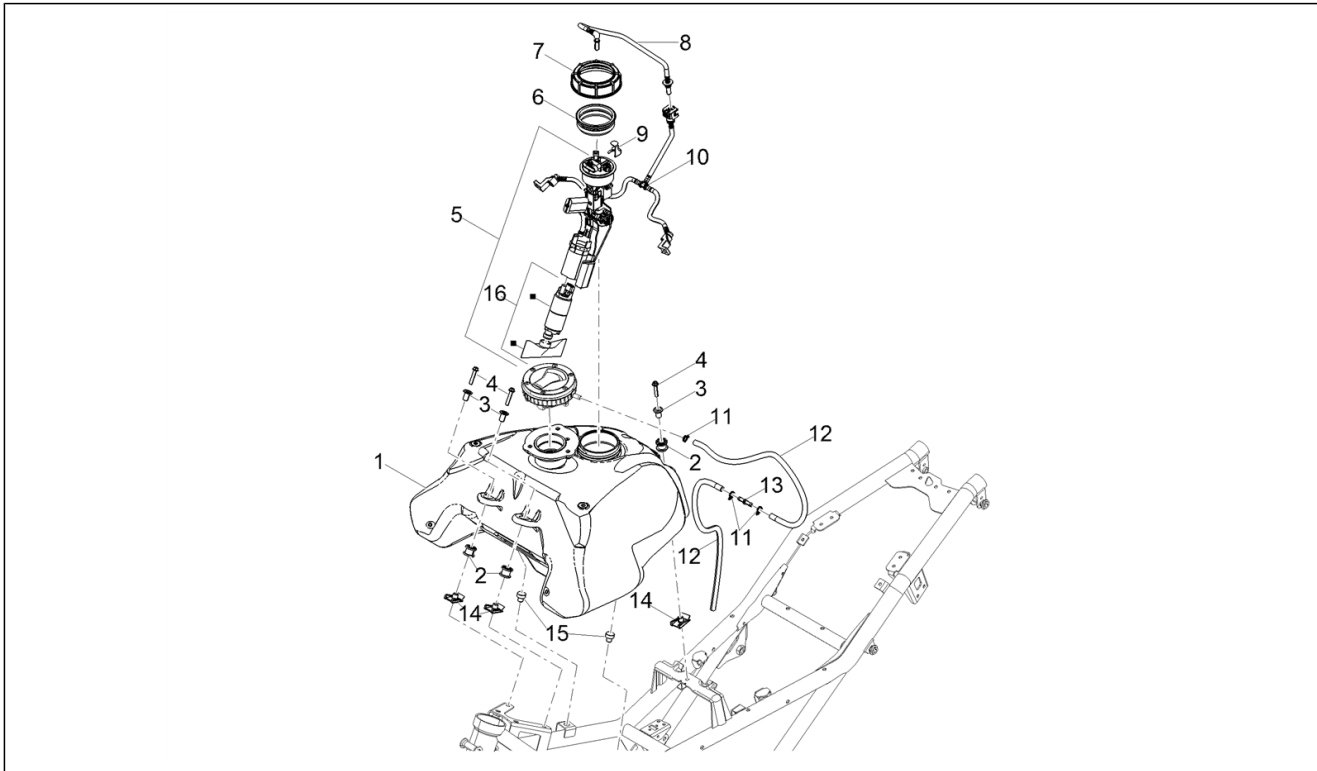
Pos.	Code	Description	Qty	Variants
1	AP8150512	Self-tap screw 3,3x16	4	
2	2B005455	Dashboard lockup	1	
3	AP8150509	Self-tap screw 5x14	3	
4	AP8150255	Washer 5x20x1,5	3	
5	AP8220150	Rubber spacer	3	
6	AP8144616	Rivet, female	3	
7	AP8144563	Rivet, male	3	
8	AP8102375	Clip M5	2	
9	AP8150500	Hex socket screw M5x9 NERINOX	2	
10	896174	Hex socket screw Black M5x12	4	
11	2B005454	Dashboard panel	1	
12	2B005452	Dashboard lid	1	
13	2D000619	Dashboard TFT	1	

<b>Group</b>	Lights - Instruments
<b>Code</b>	08.030
<b>Description</b>	Rear headlamps
<b>Service</b>	1



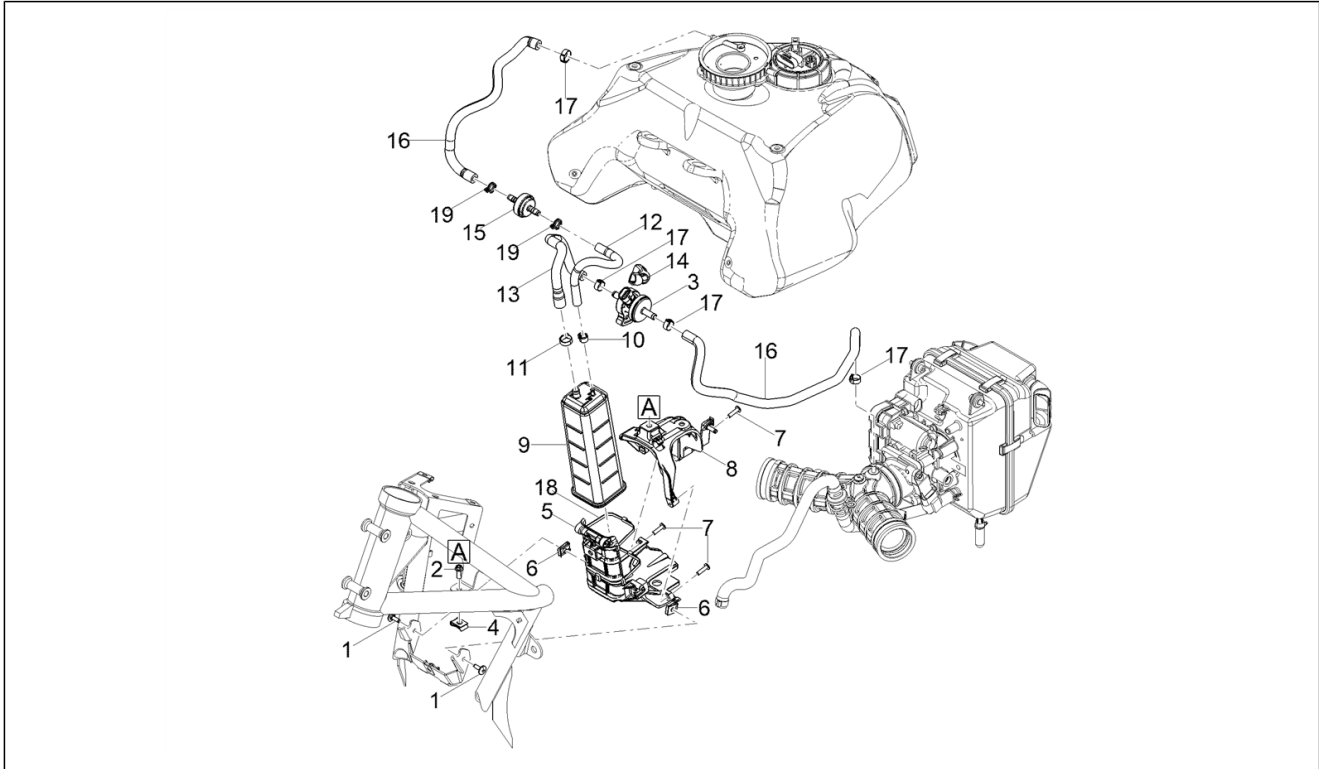
Pos.	Code	Description	Qty	Variants
1	2D000526	Front left/Rear right turn sig. lamp	1	
2	GU98692318	Hex socket screw M6x18	2	
3	2D000525	Left rear and right front turn indicators	1	
4	AP8150509	Self-tap screw 5x14	4	
5	AP8152299	Self-locking nut M6	2	
6	AP8150204	Nut M4	2	
7	AP8150501	Washer	2	
8	AP8124718	Rear reflector, red	1	
9	AP8102381	Spring plate M4	1	
10	GU32474710	Support rubber part	1	
11	85256R	Number-plate light	1	
12	AP8150522	Screw 4,2x16	1	
13	AP8150501	Washer	1	
14	2D000418	Taillight	1	
15	584332	Lamp 12V-10W	2	
16	639338	Turn indicator lens	2	
17	AP8224164	Rear reflector, red	2	
18	AP8152306	Self-locking nut M5	2	
19	2B006032	Lat. reflectors support	1	

<b>Group</b>	Tank
<b>Code</b>	09.010
<b>Description</b>	Fuel tank
<b>Service</b>	1



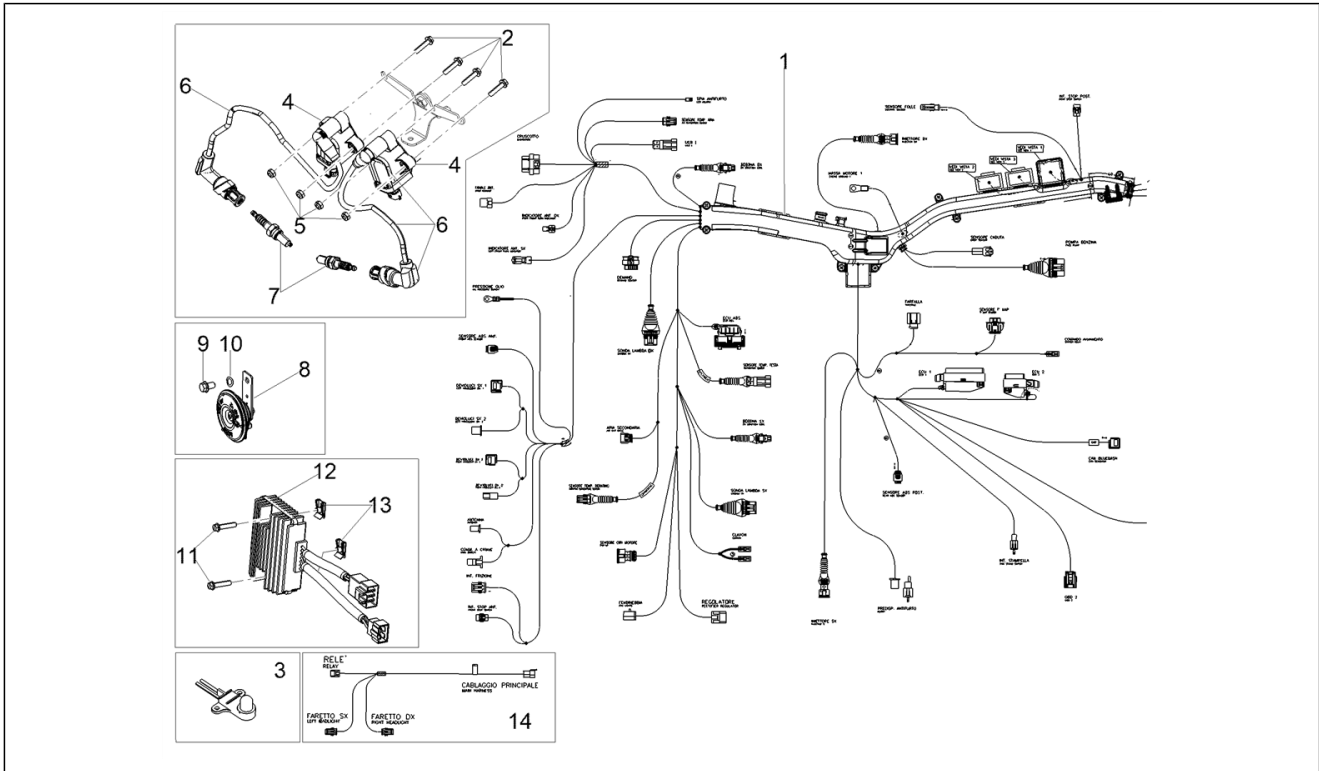
Pos.	Code	Description	Qty	Variants
1	2B005841	Fuel tank - USA	1	
2	AP8144328	Rubber spacer	3	
3	AP8121421	T bush	3	
4	AP8152281	Screw w/ flange M6x30	1	
5	2D000451	Fuel pump	1	
6	656003	Gasket	1	
7	576546	Ring nut	1	
8	2B005119	Complete fuel pipe	1	
9	1B004354	Fuel pump bracket	1	
10	2B005075	Complete fuel pipe	1	
11	AP8102378	Hose clamp D11,3	3	
12	AP8120952	pipe 5,5x10	2	
13	2B000219	Joint	1	
14	254485	Spring plate M6	3	
15	AP8144158	Rubber spacer	2	
16	1D002525	Fuel filter kit	1	

<b>Group</b>	Tank
<b>Code</b>	09.020
<b>Description</b>	Fuel vapour recover system
<b>Service</b>	1



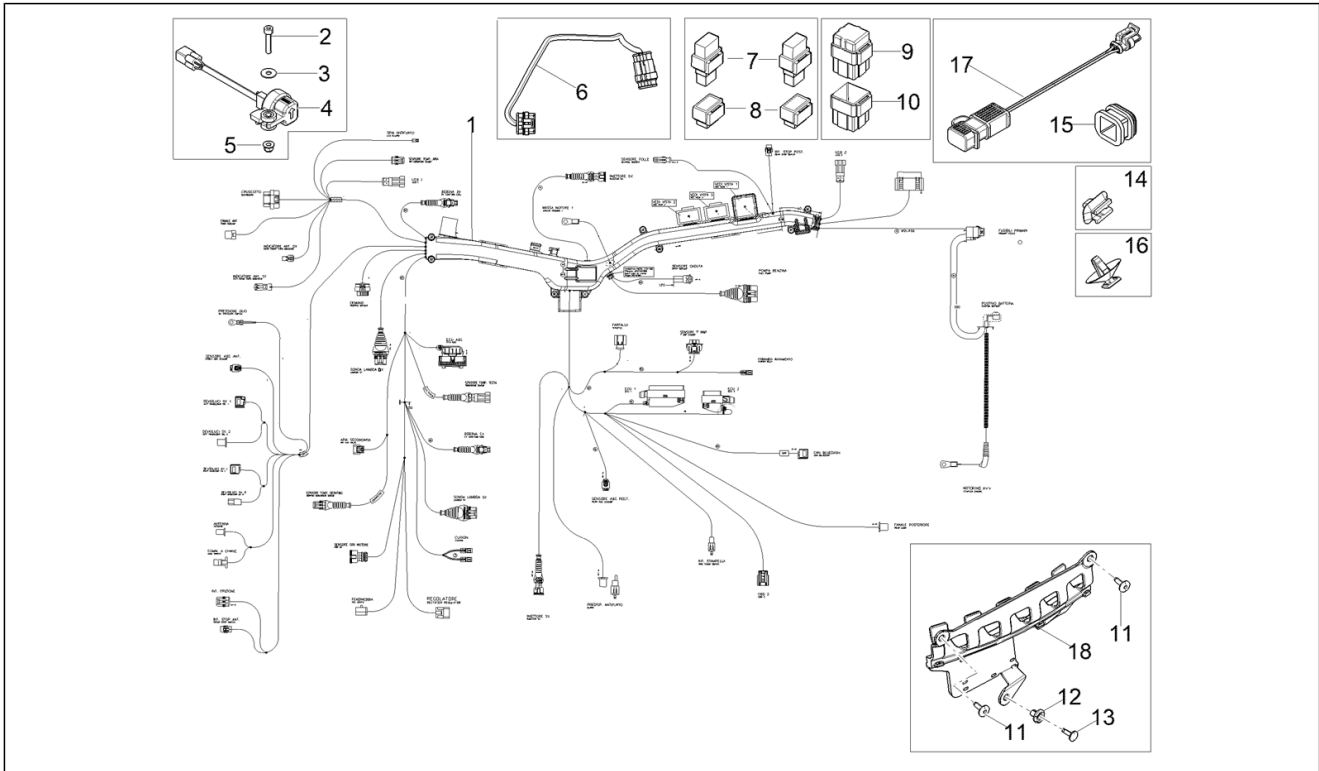
Pos.	Code	Description	Qty	Variants
1	AP8152302	Screw w/ flange M5x12	2	
2	AP8152278	Screw w/ flange M6x16	1	
3	B018242	Valve assy	1	
4	254485	Spring plate M6	1	
5	2B004991	Support clamp	1	
6	AP8102375	Clip M5	2	
7	AP8152329	Phillips screw, SWP M5x20	1	
8	2B005243	Upper bracket	1	
9	2B005142	Canister	1	
10	AP8102738	Hose clamp	1	
11	AP8101586	Hose clip D.15,5x6,6	1	
12	2B004280	Canister / valve pipe	1	
13	2B007390	pipe Purge valve - Canister	1	
14	2B007930	Pipe guide	1	
15	CM179008	Safety valve	1	
16	856063	pipe SAE 30 d.12,7x6,35	2	
17	AP8102764	White hose clip d.13x6	4	
18	GU93304390	Hose clamp 3,6x375	1	
19	AP8102520	Hose clamp	2	

<b>Group</b>	Electrical systems
<b>Code</b>	11.010
<b>Description</b>	Front electrical system
<b>Service</b>	1



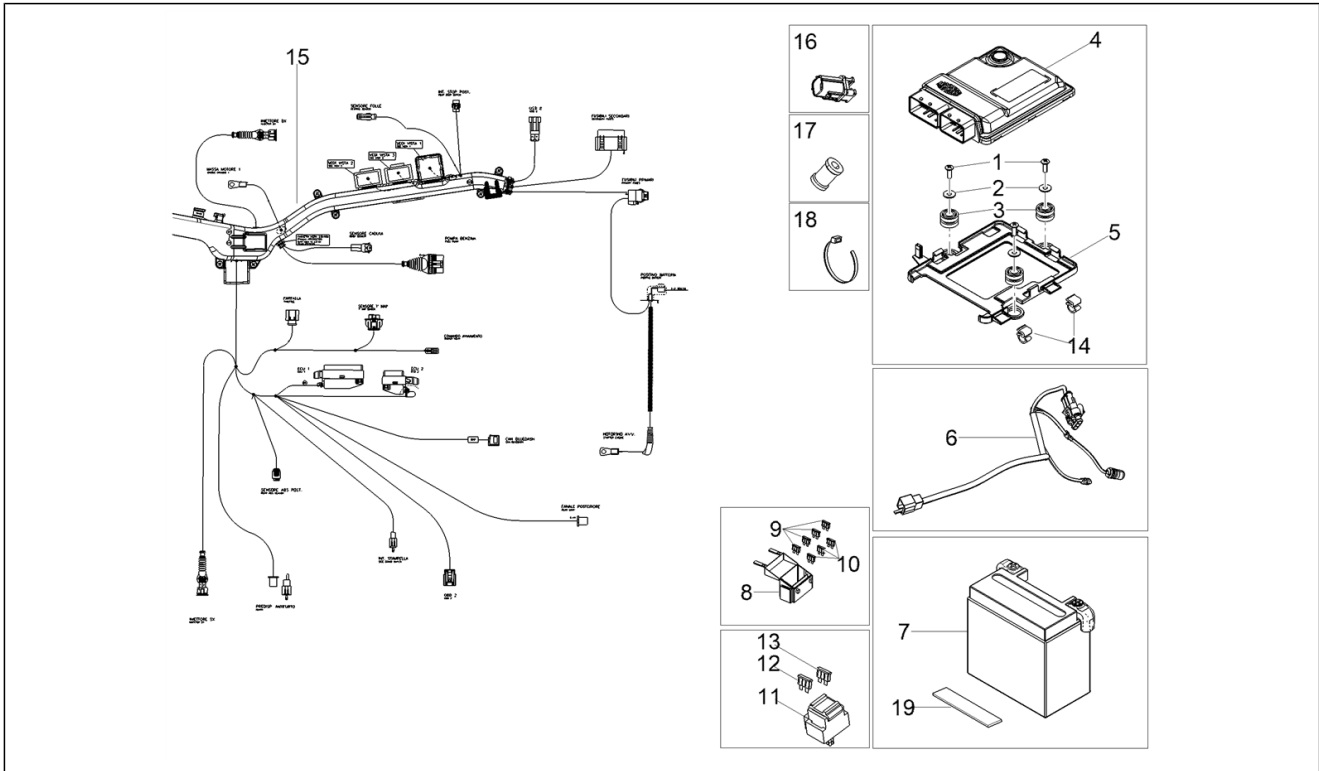
Pos.	Code	Description	Qty	Variants
1	2D000629	Main wiring harness	1	
2	AP8152280	Screw w/ flange M6x25	4	
3	AP8124936	Air temp. Sensor	1	
4	641901	HT coil	2	
5	AP8150430	Low self-locking nut	4	
6	CM277103	Complete H.V. cable	2	
7	1A010638	Ignition spark plug MR8BI-8 NGK	2	
8	2D000454	Horn	1	
9	AP8152285	Flanged hexagon screw	1	
10	658837	Crinkle washer D15 F8,4 S1,5 - INOX	1	
11	AP8152281	Screw w/ flange M6x30	2	
12	640698	Voltage regulator	1	
13	254485	Spring plate M6	2	
14	2D000524	Fog lights harness	1	<b>Technical Specification:Guardia d'Onore[GDO]</b>

<b>Group</b>	Electrical systems
<b>Code</b>	11.020
<b>Description</b>	Central electrical system
<b>Service</b>	1



Pos.	Code	Description	Qty	Variants
1	2D000629	Main wiring harness	1	
2	GU98680225	Hex socket screw M5x25	1	
3	AP8150248	Washer 5,5x15x1,6	1	
4	642248	Fall sensor	1	
5	AP8152306	Self-locking nut M5	1	
6	2D000494	Fuel pump wiring	1	
7	AP8224462	Relay 12V-30A	2	
8	AP8220283	Rubber spacer *	2	
9	895481	Injection relay 12V-40W	1	
10	896715	Relay rubber	1	
11	AP8152302	Screw w/ flange M5x12	2	
12	AP8144616	Rivet, female	1	
13	AP8144563	Rivet, male	1	
14	B005629	Spring	1	
15	18001591	Cable grommet for USB port	1	
16	890760	Instrument support	1	
17	1D003323	USB port	1	
18	2B005590	Wiring harness support	1	

<b>Group</b>	Electrical systems
<b>Code</b>	11.030
<b>Description</b>	Rear electrical system
<b>Service</b>	1



Pos.	Code	Description	Qty	Variants
1	AP8150509	Self-tap screw 5x14	3	
2	AP8150382	Washer 15x5,5X1,2	3	
3	AP8220150	Rubber spacer	3	
4	CM301815	Electronic control unit	1	
5	2B007328	Holder	1	
6	2D000493	Taillight wiring harness.	1	
7	1R000319	Battery PTX14-BS 12V 12Ah (Piaggio)	1	
7	638733	Battery Yuasa YTX14-BS 12V-12Ah (150x87x145)	1	
8	894603	Fuse holder box	1	
9	CM225615	Fuse 15A	3	
10	CM225607	Fuse 7,5A	4	
11	AP8112811	Rubber fuse box	1	
12	CM225730	Fuse 30A	1	
13	CM225720	Fuse 20A	1	
14	AP8201727	Black cable guide	1	
15	2D000629	Main wiring harness	1	
16	1D002384	Connector cover	1	
17	109355	Fairlead	1	
18	GU14609650	Hose clamp 3,6x20,6	1	
19	AP8117200	Adhesive sponge	2	